

TINKER BOARD S

Innovatively enjoy a whole new digital experience

享受創新的數位體驗
享受创新的数字体验
Profitez d'une toute nouvelle expérience numérique et innovante
Наслаждайтесь новыми инновационными технологиями
いまだかつてない新感覚のデジタル体験を提供します。
Sperimentate un'esperienza di interazione digitale completamente nuova!
Иновативно, наслаждавайте се на изцяло ново цифрово изживяване.
Zcela nový převratný digitální zážitek
Nyd en hel ny digital oplevelse
Geniet innovatief van een volledig nieuwe digitale ervaring
Naudis innovatiivselt kogu uut digitaalsel kogemust
Nauti innovativisesta, aivan uudesta digitaalisesta kokemuksesta
Genießen Sie ein rundum neues Digitalerlebnis
Καινοτομική απόλαυση μιας εξολοκλήρου νέας εμπειρίας
Vadonatúj digitális élmény
Menikmati pengalaman digital yang benar-benar baru secara inovatif.
Топығымен жаңа сандық тәжірибеге инновациялық түрде қол жеткізіңіз
완전히 새로운 디지털 세계를 획기적으로 즐겨보세요.
Güştiet piltigi jaunū digitalo baudījumu inovatīvā veidā
Mégaukites visiškai naujais skaitmeniniai potyriais
Få glede av en helt ny, innovativ digital opplevelse
Korzystaj z zupełnie nowego cyfrowego rozwiązania
Desfrute de uma nova experiência digital de forma inovadora
Bucurați-vă în cel mai inovator mod de noua experiență digitală
Inovativno uživajte u celom, novom, digitalnom iskustvu
Inovativne si vychutnávajte úplne nový digitálny zážitek
Sea el primero en disfrutar de una nueva experiencia digital total
Innovativ njutning av en helt ny digital upplevelse
Tamamen yeni yaratıcı bir dijital deneyim yaşayın
Tận hưởng trải nghiệm số hoàn toàn mới theo cách cải tiến

استمتع بتجربة رقمية جديدة تمامًا وبشكل مبتكر



Thank you for purchasing ASUS Tinker Board S!

Tinker Board is more than a dream for the DIY-obsessed: it's a gateway to new ideas and new relationships. Experienced makers will love Tinker Board's performance-to-price ratio and strong brand heritage, while novices and younger users will appreciate its accessibility and ease of use. But all will come together to create — Together We Make!

Package contents

Check your Tinker Board S package for the following items:

- 1 x Tinker Board S/2G
- 1 x Heatsink*
- 1 x Shielding bag
- 1 x Quick start guide

* Beware of high temperatures when only using the bundled heat sink.

Safety Information

- Power supply used with the Tinker shall comply with relevant regulations and applicable standards.
- DO NOT overclock the board, as this may cause damage to the board.
- Ensure that the board is placed in a well ventilated environment.
- The board should be placed on a flat, stable, non-conductive surface.
- Avoid handling the board while powered. Handle the board by the edges to minimize risk of Electronic Static Damage (ESD).

ASUS Tinker Board S specifications summary

Processor	Rockchip RK3288 Cortex-A17 Quad-core SoC* * The CPU will operate at full capacity, take note of heat dissipation and AC adaptor stability.
GPU	ARM® Mali™-T760 MP4 GPU
Display	1 x HDMI* supports up to 4K 1 x 15-pin MIPI DSI supports up to HD * HDMI supports a maximum resolution of up to 4K, and the iGPU only supports H.264/H.265 4K hardware decoders.
Memory Size	Dual-CH LPDDR3 2GB
Storage	Micro SD(TF) card slot 16GB eMMC
Connectivity	RTL8211E-VB-CG GB LAN AW-NB177NF 802.11 b/g/n wireless & BT 4.0 + EDR
Audio	RTL ALC4040 Codec with 1 x 3.5mm audio jack * Hardware ready for audio jack plug detection.
USB	4 x USB 2.0 ports
Camera Interface	1 x 15-pin MIPI CSI slot for camera
Internal Headers	1 x 40-pin header includes: - up to 28 x GPIO pins - up to 2 x SPI bus - up to 2 x I2C bus - up to 4 x UART - up to 2 x PWM - up to 1 x PCM/I2S - 2 x 5V power pins - 2 x 3.3V power pins - 8 x ground pins - 1 x 4-pin header for Power On and eMMC Recovery 1 x 2-pin contact point includes: - 1 x PWM signal - 1 x S/PDIF signal
Power Connector	Micro USB * Supports low power voltage detection. ** We recommend using the Tinker Power Supply or a qualified 5V/3A power supply.
OS Support	Debian
Dimension	3.37" x 2.125"
Warranty	1 Year

Getting Started

Booting from onboard eMMC

Requirement:

- 1 x Micro USB cable with data transfer function
- 1 x Tinker Power Supply* or other qualified 5V/3A power supply**
- 1 x Monitor with HDMI cable
- 1 x Keyboard and Mouse set

* The Tinker Power Supply is purchased separately.
** Ensure that the cable is able to deliver up to 3A of power current.

- Connect the Tinker Board S to a PC using a Micro USB cable, then wait for the PC to recognize the device.
- Download the TinkerOS image from the Tinker Board website and burn it into the Tinker Board S using a third-party ISO software, such as Win32DiskImager or Etcher.
- Connect the power supply, keyboard, mouse, and monitor to your Tinker Board S to boot up.

Booting from external Micro SD card

Requirement:

- 1 x Micro SD card with at least 8GB capacity
- 1 x Tinker Power Supply* or other qualified 5V/3A power supply**
- 1 x Monitor with HDMI cable
- 1 x Keyboard and Mouse set

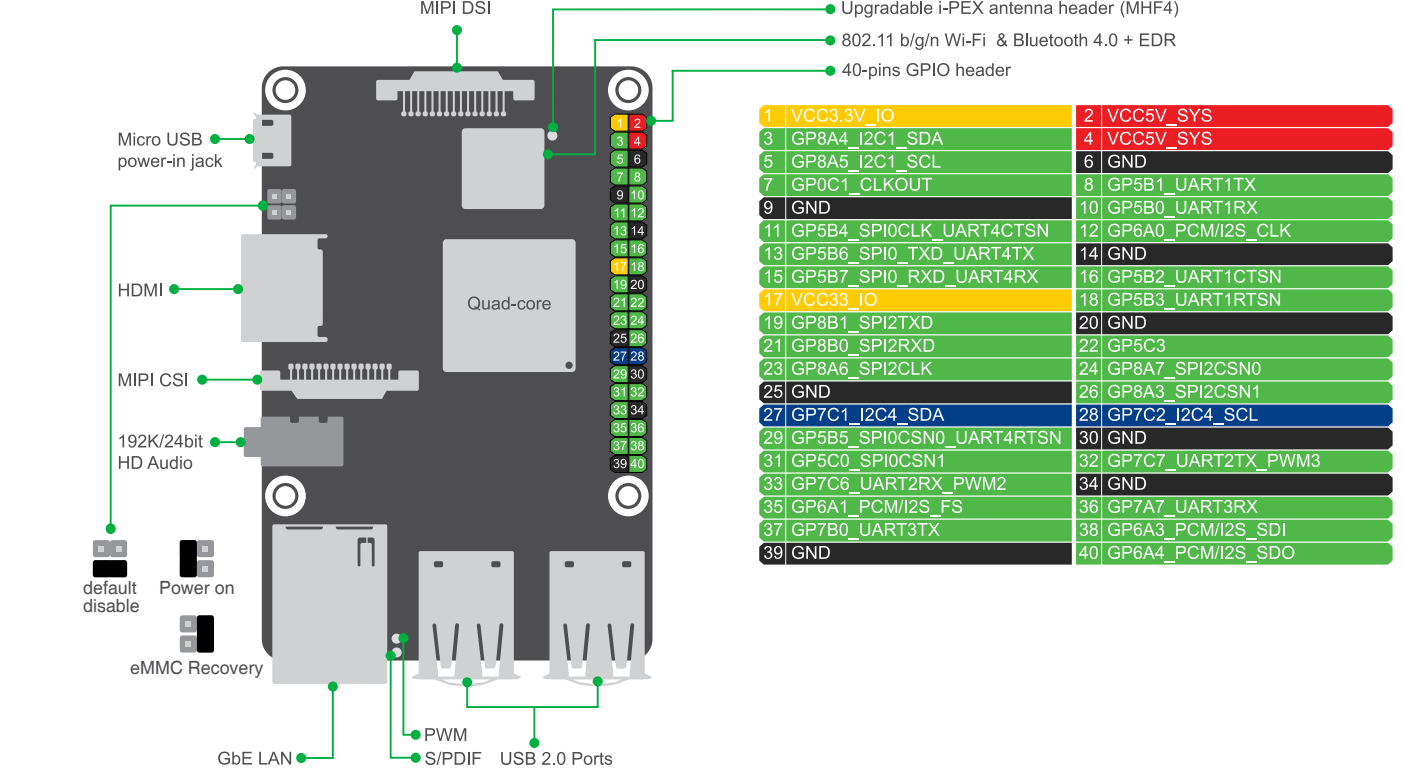
* The Tinker Power Supply is purchased separately.
** Ensure that the cable is able to deliver up to 3A of power current.

- Insert the micro SD card into a Windows® PC
- Download the TinkerOS image from the Tinker Board website and burn it into the micro SD card using a third-party ISO software, such as Win32DiskImager or Etcher.
- Insert the bootable micro SD card into your Tinker Board, then connect the power supply, keyboard, mouse, and monitor to boot up.

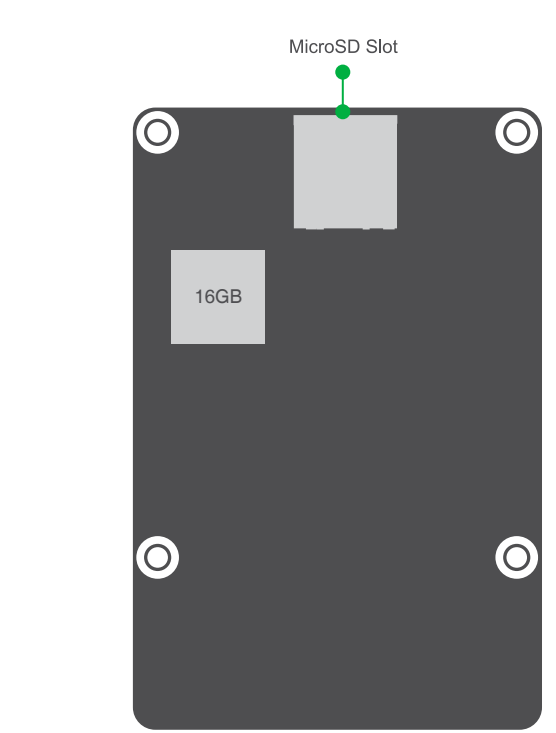


If the eMMC cannot be recognized, please refer to www.asus.com for more details on eMMC Recovery.

Top view



Bottom view



MicroSD Slot

16GB

Notices

Federal Communications Commission Interference Statement

This equipment has been tested and found to comply with the limits for a Class B digital device, pursuant to part 15 of the FCC Rules. These limits are designed to provide reasonable protection against harmful interference in a residential installation. This equipment generates, uses and can radiate radio frequency energy and, if not installed and used in accordance with the instructions, may cause harmful interference to radio communications. However, there is no guarantee that interference will not occur in a particular installation. If this equipment does cause harmful interference to radio or television reception, which can be determined by turning the equipment off and on, the user is encouraged to try to correct the interference by one or more of the following measures:

- Reorient or relocate the receiving antenna.
- Increase the separation between the equipment and receiver.
- Connect the equipment to an outlet on a circuit different from that to which the receiver is connected.
- Consult the dealer or an experienced radio/TV technician for help.

⚠	Any changes or modifications not expressly approved by the grantee of this device could void the user’s authority to operate the equipment.
-----------------------------	---

RF exposure warning

This equipment must be installed and operated in accordance with provided instructions and the antenna(s) used for this transmitter must be installed to provide a separation distance of at least 20 cm from all persons and must not be co-located or operating in conjunction with any other antenna or transmitter. End-users and installers must be provide with antenna installation instructions and transmitter operating conditions for satisfying RF exposure compliance.

End Product Labeling

This transmitter module is authorized only for use in device where the antenna may be installed such that 20cm may be maintained between the antenna and users. The final end product must be labeled in a visible area with the following:

Contains FCC ID: TX2-RTL8723BS and Contains IC: 6317A-RTL8723BS

Regional notice for Singapore

<div><div><div><div><div></div><div>Complies with IMDA Standards DB103778</div></div></div></div></div>	This ASUS product complies with IMDA Standards.
--	---

Compliance Statement of Innovation, Science and Economic Development Canada (ISED)

This device complies with Innovation, Science and Economic Development Canada licence exempt RSS standard(s). Operation is subject to the following two conditions: (1) this device may not cause interference, and (2) this device must accept any interference, including interference that may cause undesired operation of the device.

CAN ICES-3(B)/NMB-3(B)

Déclaration de conformité de Innovation, Sciences et Développement économique Canada (ISED)

Le présent appareil est conforme aux CNR d’Innovation, Sciences et Développement économique Canada applicables aux appareils radio exempts de licence. L’exploitation est autorisée aux deux conditions suivantes : (1) l’appareil ne doit pas produire de brouillage, et (2) l’utilisateur de l’appareil doit accepter tout brouillage radioélectrique subi, même si le brouillage est susceptible d’en compromettre le fonctionnement.

CAN ICES-3(B)/NMB-3(B)

Précautions d’emploi de l’appareil :

- Soyez particulièrement vigilant quant à votre sécurité lors de l’utilisation de cet appareil dans certains lieux (les avions, les aéroports, les hôpitaux, les stations-service et les garages professionnels).
- Évitez d'utiliser cet appareil à proximité de dispositifs médicaux implantés. Si vous portez un implant électronique (stimulateurs cardiaques, pompes à insuline, neurostimulateurs...), veuillez impérativement respecter une distance minimale de 15 centimètres entre cet appareil et l’implant pour réduire les risques d’interférence.
- Utilisez cet appareil dans de bonnes conditions de réception pour minimiser le niveau de rayonnement. Ce n’est pas toujours le cas dans certaines zones ou situations, notamment dans les parkings souterrains, dans les ascenseurs, en train ou en voiture ou tout simplement dans un secteur mal couvert par le réseau.
- Tenez cet appareil à distance du ventre des femmes enceintes et du bas-ventre des adolescents.

Mexico Notice

Contains module FCCPRERT14-1098

La operación de este equipo está sujeta a las siguientes dos condiciones: (1) es posible que este equipo o dispositivo no cause interferencia perjudicial y (2) este equipo o dispositivo debe aceptar cualquier interferencia, incluyendo la que pueda causar su operación no deseada.

Radio Frequency (RF) Exposure Information

The radiated output power of the Wireless Device is below the Industry Canada (IC) radio frequency exposure limits. The Wireless Device should be used in such a manner such that the potential for human contact during normal operation is minimized.

This device has also been evaluated and shown compliant with the IC RF Exposure limits under mobile exposure conditions. (antennas are greater than 20cm from a person’s body).

Informations concernant l’exposition aux fréquences radio (RF)

La puissance de sortie émise par l’appareil de sans fil est inférieure à la limite d’exposition aux fréquences radio d’Industry Canada (IC). Utilisez l’appareil de sans fil de façon à minimiser les contacts humains lors du fonctionnement normal.

Ce périphérique a également été évalué et démontré conforme aux limites d’exposition aux RF d’IC dans des conditions d’exposition à des appareils mobiles (antennes sont supérieures à 20 cm à partir du corps d’une personne).

KC: Korea Warning Statement

Б급 기기 (가정용 방송통신기자재)
이 기기는 가정용(B급) 전자파적합기기로서 주로 가정에서 사용하는 것을 목적으로 하며, 모든 지역에서 사용할 수 있습니다.

NCC: Taiwan Wireless Statement

Contains module CCAF14LP0731T0

經型式認證合格之低功率射頻電機，非經許可，公司、商號或使用者均不得擅自變更頻率、加大功率或變更原設計之特性及功能。低功率射頻電機之使用不得影響飛航安全及干擾合法通信；經發現有干擾現象時，應立即停用，並改善至無干擾時方得繼續使用。前項合法通信，指依電信法規定作業之無線電通信。低功率射頻電機須忍受合法通信或工業、科學及醫療用電波輻射性電機設備之干擾。

限用物質及其化學符號：

單元	限用物質及其化學符號					
	鉛 (Pb)	汞 (Hg)	鎘 (Cd)	六價鉻 (Cr ⁶⁺)	多溴聯苯 (PBB)	多溴二苯醚 (PBDE)
印刷電路板及電子組件	—	○	○	○	○	○
其他及其配件	—	○	○	○	○	○
備考1. “○” 係指該項限用物質之百分比含量未超出百分比含量基準值。						
備考2. “—” 係指該項限用物質為排除項目。						

VCCI: Japan Compliance Statement

Contains module 204-430024

Class B ITE

この装置は、クラスB情報技術装置です。この装置は、家庭環境で使用することを目的としていますが、この装置がラジオやテレビジョン受信機に近接して使用されると、受信障害を引き起こすことがあります。取扱説明書に従って正しい取り扱いをして下さい。	V C C I – B
--	-------------

Items	Maximum Radio-Frequency Output Table	
Bluetooth	Bluetooth RF (2400–2483.5 MHz)	1.75 (dBm)
	Bluetooth 4.0-LE (2400–2483.5 MHz)	1.94 (dBm)
	2.4GHz 802.11b (2400–2483.5 MHz)	12.95 (dBm)
WLAN	2.4GHz 802.11g (2400–2483.5 MHz)	12.89 (dBm)
	2.4GHz 802.11n HT20 (2400–2483.5 MHz)	12.78 (dBm)
	2.4GHz 802.11n HT40 (2400–2483.5 MHz)	10.28 (dBm)

Contains module 2381-14-4076



Simplified EU Declaration of Conformity

ASUSTek Computer Inc. hereby declares that this device is in compliance with the essential requirements and other relevant provisions of Directive 2014/53/EU. Full text of EU declaration of conformity is available at <https://www.asus.com/support/>

Déclaration simplifiée de conformité de l’UE

ASUSTek Computer Inc. déclare par la présente que cet appareil est conforme aux critères essentiels et autres clauses pertinentes de la directive 2014/53/EU. La déclaration de conformité de l’UE peut être téléchargée à partir du site internet suivant : <https://www.asus.com/support/>

Vereinfachte EU-Konformitätserklärung

ASUSTek COMPUTER INC erklärt hiermit, dass dieses Gerät mit den grundlegenden Anforderungen und anderen relevanten Bestimmungen der Richtlinie 2014/53/EU übereinstimmt. Der gesamte Text der EU-Konformitätserklärung ist verfügbar unter: <https://www.asus.com/support/>

Dichiarazione di conformità UE semplificata

ASUSTek Computer Inc. con la presente dichiara che questo dispositivo è conforme ai requisiti essenziali e alle altre disposizioni pertinenti con la direttiva 2014/53/EU. Il testo completo della dichiarazione di conformità UE è disponibile all'indirizzo: <https://www.asus.com/support/>

Упрощенное заявление о соответствии европейской директиве

ASUSTek Computer Inc. заявляет, что устройство соответствует основным требованиям и другим соответствующим условиям директивы 2014/53/ЕU. Полный текст декларации соответствия ЕС доступен на <https://www.asus.com/support/>

إعلان التوافق المبسط الصادر عن الاتحاد الأوروبي

تقر شركة ASUSTek Computer أن هذا الجهاز يتوافق مع المتطلبات الأساسية والأحكام الأخرى ذات الصلة الخاصة بتوجيه 2014/53/UE. يتوفر النص الكامل لإعلان التوافق الصادر عن الاتحاد الأوروبي على: <https://www.asus.com/support/>

Опростена декларация за съответствие на ЕС

С настоящото ASUSTek Computer Inc. декларира, че това устройство е в съответствие със съществените изисквания и другите приложими постановления на свързаната Директива 2014/53/ЕС. Пълният текст на ЕС декларация за съвместимост е достъпен на адрес <https://www.asus.com/support/>

Declaração de Conformidade UE Simplificada

ASUSTek Computer Inc. declara que este dispositivo está em conformidade com os requisitos essenciais e outras disposições relevantes relacionadas às diretvas 2014/53/UE. O texto completo da declaração de conformidade CE está disponível em <https://www.asus.com/support/>

Pojednostavljena EU izjava o skladnosti

ASUSTek Computer Inc. ovim izjavljuje da je ovaj uređaj skladan s bitnim zahtjevima i ostalim odgovarajućim odredbama direktive 2014/53/EU. Cijeli tekst EU izjave o skladnosti dostupan je na <https://www.asus.com/support/>

Zjednodušené prohlášení o shodě EU

Společnost ASUSTek Computer Inc. tímto prohlašuje, že toto zařízení splňuje základní požadavky a další příslušná ustanovení směrnice 2014/53/EU. Plné znění prohlášení o shodě EU je k dispozici na adrese <https://www.asus.com/support/>

Forenklet EU-øverenstemmelseserklæring

ASUSTek Computer Inc. erklærer hermed at denne enhed er i overensstemmelse med hovedkravene og øvrige relevante bestemmelser i direktivet 2014/53/EU. Hele EU-øverenstemmelseserklæringen kan findes på <https://www.asus.com/support/>

Vereenvoudigd EU-conformiteitsverklaring

ASUSTeK Computer Inc. verklaart hierbij dat dit apparaat voldoet aan de essentiële vereisten en andere relevante bepalingen van Richtlijn 2014/53/EU. De volledige tekst van de EU-conformiteitsverklaring is beschikbaar op <https://www.asus.com/support/>

Lihtstatutud EÜ vastavusdeklaratsioon

Käesolevaga kinnitab ASUSTek Computer Inc, et seade vastab direktiivi 2014/53/EÜ olulistele nõuetele ja teistele asjakohastele sätetele. EL vastavusdeklaratsiooni täistekst on saadaval veebisaidil <https://www.asus.com/support/>

Eurooppa - EY'n vaatimustenmukaisuusvakuutus

ASUSTek Computer Inc. ilmoittaa täten, että tämä laite on direktiivin 2014/53/EU olennaisien vaatimusten ja muiden asiaankuuluvien lisäysten mukainen. Koko EY'n vaatimustenmukaisuusvakuutuksen teksti on luettavissa osoitteessa <https://www.asus.com/support/>

تبعیت از نسخه ساده شده بیانیته التحلیه اروپا

ASUSTek Computer Inc در اینجا اعلام می کند که این دستگاه مطابق با اسناد و سایر مقررات مربوط به بیانیته 2014/53/UE است. متن کامل پیروی از این بیانیته التحلیه اروپا در این آدرس موجود است: <https://www.asus.com/support/>

Απλοποιημένη Δήλωση Συμμόρφωσης ΕΕ

Διό του παρόντος η ASUSTek Computer Inc δηλώνει ότι αυτή η συσκευή είναι σύμφωνα με τις βασικές προϋποθέσεις και άλλες σχετικές διατάξεις της Οδηγίας 2014/53/EE. Το πλήρες κείμενο της δήλωσης συμμόρφωσης της ΕΕ είναι διαθέσιμο στη διεύθυνση <https://www.asus.com/support/>

הגדרת תאימות הרגולטורית מקובצת עבור האיחוד האירופי

ASUSTek Computer Inc מצהירה בזאת כי מכשיר זה תואם לדרישות החיוביות ושאר המסופים הרלוונטיים של תקנה 2014/53/UE. ניתן לקרוא את הוסס המלא של ההצטרות הרגולטורית עבור האיחוד האירופי בכתובת: <https://www.asus.com/support/>

Egyzerősített EU megfeleléségi nyilatkozat

Az ASUSTek Computer Inc. ezennel kijelenti, hogy ez az eszköz megfelel az 2014/53/EU sz. irányelv alapvető követelményeinek és egyéb vonatkozó rendelkezéseinek. Az EU megfeleléségi nyilatkozat teljes szövegét a következő weboldalon tekintheti meg: <https://www.asus.com/support/>

Pernyataan Kesesuaian EU yang Disederhanakan

ASUSTek Computer Inc. dengan ini menyatakan bahwa perangkat ini memenuhi persyaratan utama dan ketentuan relevan lainnya yang terdapat pada Petunjuk 2014/53/EU. Teks lengkap pernyataan kesesuaian EU tersedia di: <https://www.asus.com/support/>

Vienkārtota ES atbilstības paziņojums

ASUSTeK Computer Inc. ar šo paziņo, ka šī ierīce atbilst Direktīvas 2014/53/ES būtiskajām prasībām un citiem citiem saistošajiem nosacījumiem. Pilns ES atbilstības paziņojuma teksts pieejams šeit: <https://www.asus.com/support/>

Supaprastinta ES atitikties deklaracija

Šiame dokumente bendrovė „ASUSTek Computer Inc.“ pareiškia, kad šis prietaisas atitinka pagrindinius Reikalavimus ir kitas susijusias Direktyvos 2014/53/ES nuostatas. Visas ES atitikties deklaracijos tekstas pateikiamas čia: <https://www.asus.com/support/>

Forenklet EU-samsvarserklæring

ASUSTek Computer Inc. erklærer herved at denne enheten er i samsvar med hovedsaklige krav og andre relevante forskrifter i direktivet 2014/53/EU. Fullstendig tekst for EU-samsvarserklæringen finnes på: <https://www.asus.com/support/>

Uproszczona deklaracja zgodności UE

Firma ASUSTek Computer Inc. niniejszym oświadcza, że urządzenie to jest zgodne z zasadniczymi wymogami i innymi właściwymi postanowieniami dyrektywy 2014/53/EU. Pełny tekst deklaracji zgodności UE jest dostępny pod adresem <https://www.asus.com/support/>

Declaração de Conformidade Simplificada da UE

A ASUSTek Computer Inc. declara que este dispositivo está em conformidade com os requisitos essenciais e outras disposições relevantes da Diretiva 2014/53/UE. O texto integral da declaração de conformidade da UE está disponível em <https://www.asus.com/support/>

Declarație de conformitate UE, versiune simplificată

Prin prezenta, ASUSTek Computer Inc. declară că acest dispozitiv este în conformitate cu reglementările esențiale și cu celelalte prevederi relevante ale Directivei 2014/53/UE. Textul complet al declarației de conformitate UE este disponibil la adresa <https://www.asus.com/support/>

Pojednostavljena Deklaracija o usaglašenosti EU

ASUSTek Computer Inc. ovim izjavljuje da je ovaj uređaj usaglašen sa osnovnim zahtjevima i drugim relevantnim odredbama Direktive 2014/53/EU. Ceo tekst Deklaracije o usaglašenosti EU dostupan je na lokaciji <https://www.asus.com/support/>

Zjednodušené vyhlásenie o zhode platné pre EÚ

Spoločnosť ASUSTek Computer Inc. týmto vyhlasuje, že toto zariadenie je v súlade so základnými požiadavkami a ďalšími príslušnými ustanoveniami smernice č. 2014/53/EU. Plné znenie vyhlásenia o zhode pre EÚ je k dispozícii na lokalite <https://www.asus.com/support/>

Poenostavljena izjava EU o skladnosti

ASUSTek Computer Inc. tukaj izjavlja, da je ta naprava skladna s temeljnimi zahtevami in drugimi relevantnimi določili Direktive 2014/53/EU. Polno besedilo izjave EU o skladnosti je na voljo na <https://www.asus.com/support/>

Declaración de conformidad simplificada para la UE

Por la presente, ASUSTek Computer Inc. declara que este dispositivo cumple los requisitos básicos y otras disposiciones pertinentes de la directiva 2014/53/EU. En <https://www.asus.com/support/> está disponible el texto completo de la declaración de conformidad para la UE.

Förenklad EU-försäkran om överensstämmelse

ASUSTek Computer Inc. deklarerar härmed att denna enhet överensstämmer med de grundläggande kraven och andra relevanta bestämmelser i direktiv 2014/53/EU. Fullständig text av EU-försäkran om överensstämmelse finns på <https://www.asus.com/support/>

ประกาศเกี่ยวกับความสอดคล้องของสหภาพยุโรปแบบย่อ

ASUSTek Computer Inc. ขอประกาศในที่นี้ว่าอุปกรณ์นี้มีความสอดคล้องกับมาตรฐาน ซึ่งการที่จำเป็นและเงื่อนไขที่เกี่ยวของอื่น ๆ ของบทบัญญัติข้อกำหนด 2014/53/UE เฉพาะที่สมบรูณ์ของประกาศความสอดคล้องกับ EU มีอยู่ที่ <https://www.asus.com/support/>

Basitleştirilmiş AB Uyumluluk Bildirimi

ASUSTek Computer Inc., bu aygıtın 2014/53/EU Yönergesinin temel gereksinimlerine ve diğer ilgili hükümlerine uygun olduğunu bildirir. AB uygunluk bildiriminin tam metni şu adreste bulunabilir: <https://www.asus.com/support/>

Спрошена декларация про відповідність нормам ЕС

ASUSTek Computer Inc. заявляє, що цей пристрій відповідає основним вимогам та іншим відповідним вимогам Директиви 2014 / 53 / EU. Повний текст декларації відповідності нормам ЕС доступний на <https://www.asus.com/support/>

DECLARATION OF CONFORMITY

Per FCC Part 2 Section 2. 1077(a)



Responsible Party Name: **Asus Computer International**

Address: **800 Corporate Way, Fremont, CA 94539.**

Phone/Fax No: **(510)739-3777/(510)608-4555**

hereby declares that the product

Product Name : Motherboard

Model Number : TINKER BOARD S

Conforms to the following specifications:

FCC Part 15, Subpart B, Unintentional Radiators

Supplementary Information:

This device complies with part 15 of the FCC Rules. Operation is subject to the following two conditions: (1) This device may not cause harmful interference, and (2) this device must accept any interference received, including interference that may cause undesired operation.

Free Manuals Download Website

<http://myh66.com>

<http://usermanuals.us>

<http://www.somanuals.com>

<http://www.4manuals.cc>

<http://www.manual-lib.com>

<http://www.404manual.com>

<http://www.luxmanual.com>

<http://aubethermostatmanual.com>

Golf course search by state

<http://golfingnear.com>

Email search by domain

<http://emailbydomain.com>

Auto manuals search

<http://auto.somanuals.com>

TV manuals search

<http://tv.somanuals.com>