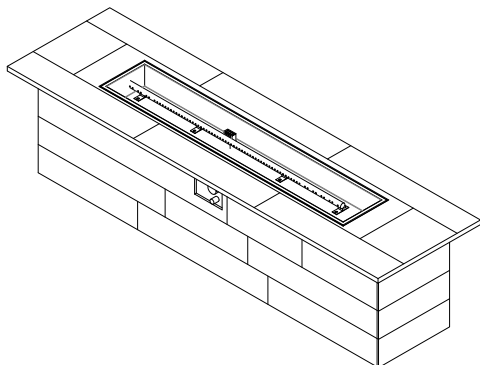


# OWNER'S MANUAL

READ BEFORE USE!

Factory No.: BH7001-4

Item No.:66696



## **▲ WARNING**

**USE PROPANE GAS ONLY!**

- Do not store or use gasoline or other flammable vapors in the vicinity of this or any other appliance.
- Service must be performed by a qualified installer, service agency or the gas supplier.

## **▲ WARNING**

For use with cylinders marked PROPANE only. DO NOT connect to a remote gas supply.

If the fire table is stored indoors, detach and leave propane cylinder outdoors.



Design certified under ANSI Z21.97 • CSA 2.41-(2012)  
Requirements for Outdoor Gas Fireplaces

## **▲ WARNING**

**For Outdoor Use Only! Use Propane Gas Only !**

Propane cylinders sold separately.

## **▲ WARNING**

Improper installation, adjustment, alteration, service or maintenance can cause injury or property damage. Read the owner's manual thoroughly before installing or servicing this equipment. If the information in this manual is not followed exactly, a fire or explosion may result causing property damage, personal injury or loss of life.

## **▲ WARNING**

The propane cylinder must be disconnected when this fire table is not use.

## **▲ DANGER**

If you smell gas:

1. Shut off gas to the appliance.
2. Extinguish any open flame.
3. If odor continues, keep away from the appliance and immediately call your gas supplier or fire department.

## **▲ WARNING**

This fire table must be attended at all times!

## **▲ WARNING**

An LP-cylinder not connected for use shall not be stored in the vicinity of this or any other appliance.

## **▲ DANGER**



### **CARBON MONOXIDE HAZARD**

This appliance can produce carbon monoxide which has no odor.

Using it in an enclosed space can kill you.

Never use this appliance in an enclosed space such as a camper, tent, car or home.

**▲ DANGER**

Failure to follow the Dangers, Warnings and Cautions contained in this Owner's Manual may result in serious bodily injury or death, or in a fire or an explosion causing damage to property.

**▲ WARNING**

- \*Do not use this fire table for cooking.
  - \*Remove the PVC cover from the fire table before opening the appliance.
  - \*Do not lay the PVC cover over the fire table until it is turned off and completely cooled down.
  - \*Do not burn any other materials than are supplied with and intended for use in this fire table.
  - \*Do not pour water into fire table.
  - \*The installation of this product must conform with local codes or, in the absence of local codes, with either the National Fuel Gas Code, ANSI Z223.1/NFPA 54, OR CAN/CGA-B149.1, National Gas and Propane Installation Code.
  - \*Do not use this fire table if any part has been under water.
  - \*Do not store a spare or disconnected propane cylinder under or near this fire table.
  - \*After a period of storage, and/or non use, the propane fire table should be checked for gas leaks and burner obstructions before use.
  - \*Do not operate the propane fire table if there is a gas leak present.
  - \*Never use a flame to check for gas leaks.
  - \*Combustible materials should never be within 48 inches of the top, back or sides of your propane fire table.
  - \*Do not put any other fireplace cover or anything flammable on, or beneath the fire table.
  - \*The propane fire table should never be used by children. Children must be supervised when they are anywhere near the appliance.
  - \*Users should be alerted to the hazards of high surface temperatures and keep a safe distance to avoid burning or clothing ignition.
  - \*Pay attention when operating the fire table. It is hot in use and should never be left unattended. Do not transit it while in operation.
  - \*Should fire go out while burning, turn the gas valve off. Follow the instructions and wait five minutes before attempting to relight.
  - \*Never use charcoal or any other solid fuel in the fire table. Never put clothing or other flammable materials on or near the fire table.
  - \*Never lean over the open fire table or place hands or fingers on the upper portion of an operational unit.
  - \*Keep ventilation openings in cylinder enclosure (FIRE TABLE BODY) free and clear of debris.
  - \*Inspect the burner before each use of the appliance. If there is evidence of damage, the burner must be replaced prior to the appliance being put into operation. Use Manufacturer approved or supplied replacement burner only.
  - \*Do not rest feet on the fire table.
  - \*Please take out the battery when not using the fire table for an extended length of time.
  - \*Do not enlarge valve orifices or burner ports when cleaning the valve or burner.
  - \*Cylinder supply system must be arranged for vapor withdrawal.
  - \*Propane Tank used must include a collar to protect the cylinder valve.
  - \*Never fill the cylinder beyond 80% full.
  - \*Propane gas is not natural gas. Only use propane for this fire table.
  - \*The conversion or attempted use of natural gas in a propane unit or propane gas in a natural gas unit is dangerous.
  - \*Do not use this fire table on vehicles or boats. Always operate the appliance on flat ground outdoors.
  - \*Keep any electrical supply cord and the fuel supply hose away from any heated surfaces.
  - \*Do not use this fire table unless all parts are in place.
- 
- \*The maximum gas supply pressure is 250psi.
  - \*Use LP cylinders only with these required measurements: 12" (30.5cm) (diameter) x 18" (45.7 cm) (tall) with 20 lb. (9 kg.) capacity maximum.
- 
- \*Clean the battery contacts and also those of the device prior to battery installation.
  - \*Remove batteries from equipment which is not to be used for an extended period of time.
  - \*Remove used batteries promptly.

### **FOR PROPANE GAS UNITS**

\*The gas pressure regulator provided with the propane fire table must be used.

\*Do not attempt to disconnect the gas regulator or any gas fitting while your fire table is in operation.

\*A dented or rusty propane cylinder may be hazardous and should be checked by your gas supplier prior to use.

\*Do not use a propane cylinder with a damaged valve and any other worn out parts.

\*Transit and store the empty gas cylinders carefully and properly.

\*If you see, smell or hear the hiss of escaping gas from the propane cylinder:

1. Turn off the gas supply and get away from the gas cylinder and the fire table at once.
2. Do not attempt to correct the problem yourself.
3. Get to your gas supplier and/or the fire department for help.

### **Children and adults should be alerted to the hazards of high surface temperatures and should stay away to avoid burns or clothing ignition.**

- Young children should be carefully supervised when they are in the area of the appliance.
- Clothing or other flammable materials should not be hung from the appliance, or placed on or near the appliance.
- Any guard or other protective device removed for servicing the appliance must be replaced prior to operating the appliance.
- Installation and repair should be done by a qualified service person. The appliance should be inspected before use and at least annually by a qualified service person. More frequent cleaning may be required as necessary. It is imperative that the control compartment, burners and circulating air passageways of the appliance be kept clean.

Immediately call a qualified service technician to inspect the appliance and to replace any part of the control system and any gas control which has been under water.

- Use only the specific size and capacity of the cylinder noted.

• A statement that the LP-gas supply cylinder to be used must be constructed and marked in accordance with the specifications for LP-gas cylinders of the U.S. Department of Transportation (DOT).

• This appliance shall be used only outdoors in a well-ventilated space and shall not be used in a building, garage or any other enclosed area as the instructions state.

#### •How to disconnect a gas bottle

Turn OFF control knob and LP cylinder valve. Turn coupling nut counterclockwise by hand only - do not use tools to disconnect. Loosen cylinder screw beneath bottom shelf, then lift LP cylinder up and out of shelf. Place dust cap on cylinder valve outlet whenever the cylinder is not in use.

• Storage of an appliance indoors is permissible only if the cylinder is disconnected and removed from the appliance. Cylinders must be stored outdoors in a well-ventilated area out of reach of children. Disconnected cylinders must have threaded valve plugs tightly installed and must not be stored in a building, garage or any other enclosed area.

**WARNING:** Improper installation, adjustment, alteration, service or maintenance can cause injury or property damage. Refer to the owner's information manual provided with this appliance. For assistance or additional information, consult a qualified installer, service agency or the gas supplier.

- The LP-gas supply cylinder must be disconnected when this appliance is not in use.

- Only cylinder marked "propane" shall be used.

#### Caution:

Only use the pressure regulator and hose assembly supplied with this fire table. Replacement pressure regulator and hose assemblies must be specified or supplied by BOND MANUFACTURING CO.

Inspect the hose before each use of the appliance. If the hose shows signs of cracks, abrasions, cuts or damage of any kind, do not operate the appliance. Fix or replace the hose as required before using the appliance. For assistance with repair or replacement of the hose, call Bond Manufacturing at 1-866-771-2663. Use only replacement parts from the manufacturer.

## WARNING!

- \* Do not light or use gas unit if pumice stone are wet. Ensure pumice stones are completely dry before igniting as intense heat could cause the stones to crack.
- \* Pumice stones could hit somebody's face or eyes during initial start of this unit, so please keep away from the fire table for the first 20 minutes after it has been ignited.
- \*LP GAS WARNING: Do not exceed 1/4" depth of fire glass or small pumice stones directly above burner holes. Applying too many pumice stones/fire glass may result in unburned gas pooling in fire table or fire pit. Ventilation is required to allow fresh air into enclosure and any residual gas to escape.

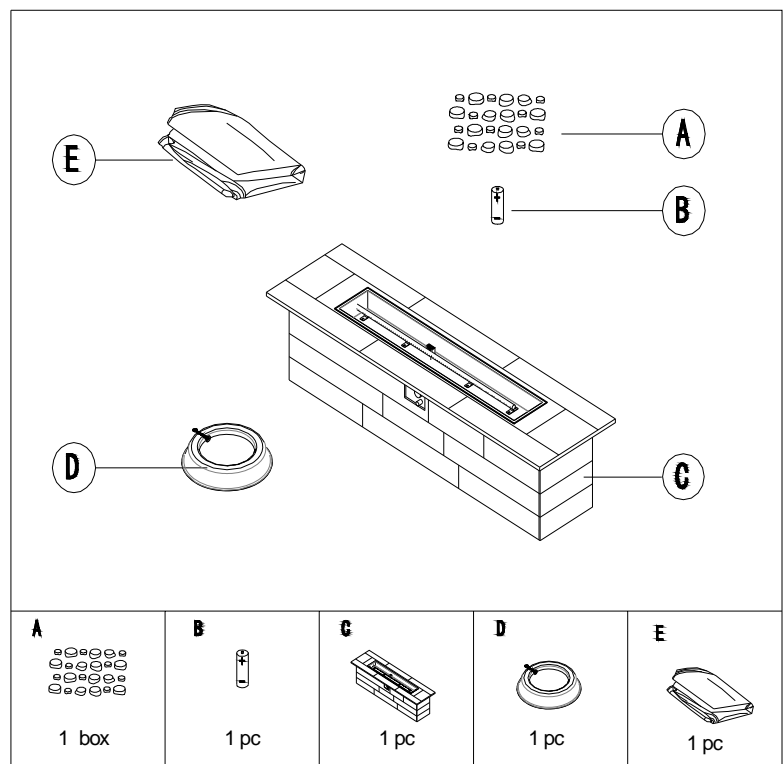
## Warranty and Installation Information:

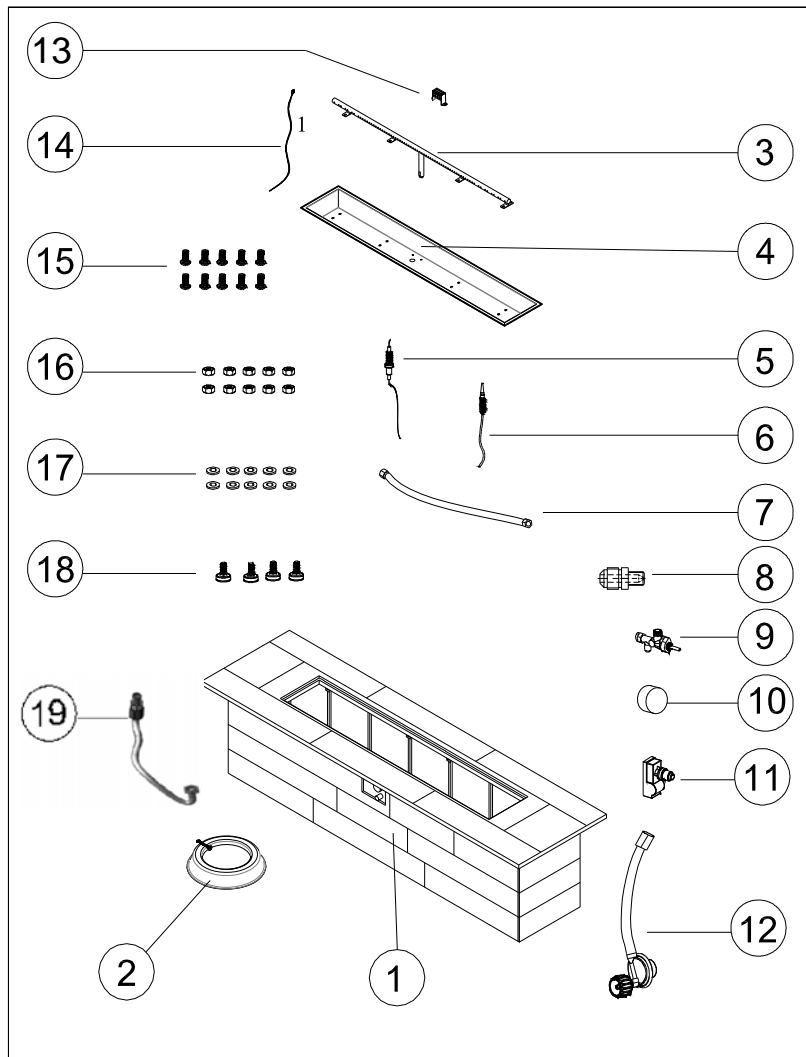
The Bond warranty will be voided by and Bond disclaims any responsibility for the following actions:

- ▶ Modification of the fire table and/or components including the gas valve assembly.
- ▶ Use of any component part not manufactured or approved by Bond.
- ▶ Use and installation other than as instructed in this manual.

## Accessories

ITEM	DESCRIPTION	QTY
A	Pumice stones	6KGS
B	Battery (AAA)	1PC
C	Body	1PC
D	Tank seat	1PC
E	PVC cover	1PC





ITEM	SPECIFICATION	QTY
1	Body	1
2	Tank seat	1
3	Burner	1
4	Fire bowl	1
5	Ignition pin	1
6	Thermocouple	1
7	Corrugated pipe	1
8	Injector	1
9	Gas valve	1
10	Control knob	1
11	Pulse ignition	1
12	Regulator	1
13	Guard	1
14	Grounding wire	1

ITEM	SPECIFICATION	QTY
15	M6X8 screws	10
16	M6 nuts	10
17	Ø12 washer	10
18	Adjustable foot	4
19	Pilot	1

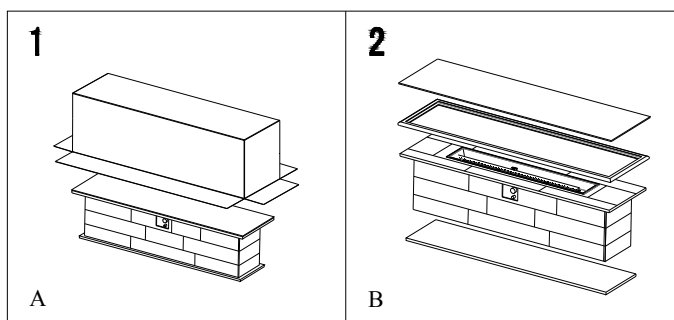
# ASSEMBLY INSTRUCTIONS

**\* Please keep these owner's manual for future reference.**

**\*If you have opened the carton and removed all packages, please disregard the STEP 1 and 2. See the STEP 3 directly.**

**STEP 1.** (1) Open the carton and turn it upside down, make sure the 4 pieces of the cartons open up as below in **Figure A**.  
 (2) Lift off the carton carefully and be wary of the accessories inside falling away. Take away the box containing pumice stones.  
 (3) Take all the packing materials away except for the polyfoam rounding the top of the fire table. **See Figure A.**

**STEP 2.** (1) Turn the fire table heads up on a flat ground.  
 (2) Remove all the polyfoam rounding the top of the fire table. **See Figure B.**



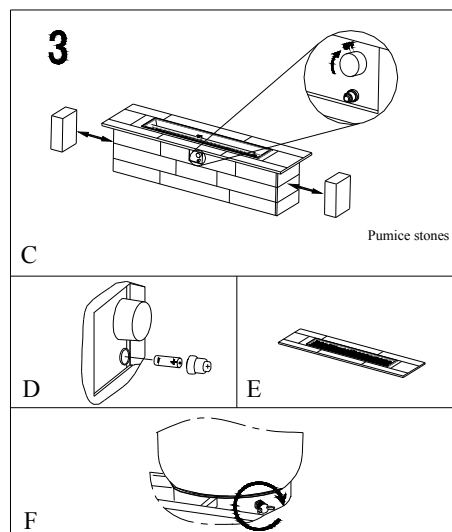
## STEP 3.

(I) Check each part before using the product. Make sure the gas supply system is turned "OFF" before assembling. **See Figure C.**

(II) Put the gas tank in the metal stand. Make sure the gas tank sits on the metal stand completely. Turn the wing screw on the outer part of metal stand clockwise to secure the gas tank tightly. **See Figure F.**

(III) Locate the battery and remove the plastic cover first. Unscrew the rubber cap of the Electric Ignitor, place the AAA battery into the battery case. Make sure the positive pole ("+") towards the cap. Screw the cap back to the battery case tightly. **See Figure D.**

(IV) Evenly distribute the pumice stones on the top of the fire table. **See Figure E.**



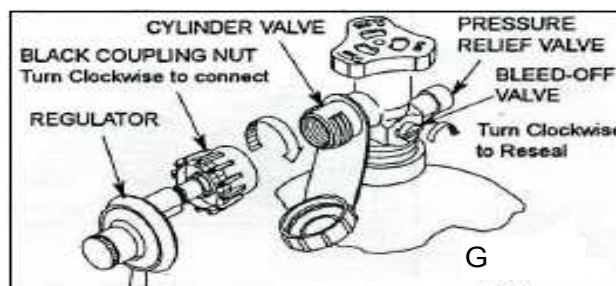
**\*\* DO NOT COVER THE IGNITION SCREEN** when placing the pumice stones into the fire table. Always keep Ignition Screen visible.

**\*\* Connect the Pressure-Regulating Valve to the gas tank.**


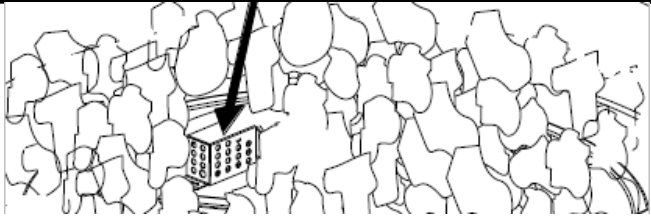
**See Figure G.**

1) Turn the cylinder valve clockwise to close the gas supply on the gas tank.

2) Screw Regulator coupling clockwise by hand only. Make sure it is fastened.



See **WARNING** and Figures:

 <b>WARNING</b>	
This screen must be clear and free of obstructions at all times to insure proper operation.	

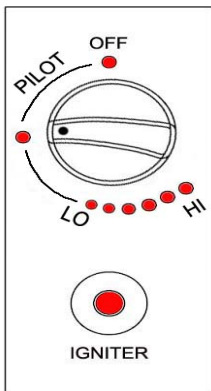
Perform leak test in a well-ventilated area outside and where no source of spark can occur. Remove battery from igniter. Open tank valve fully (counter-clockwise). Turn the on/off valve at the unit to the “OFF” position to pressurize the hose assembly. Use a soapy water solution to check all the connections for leaks before attempting to light the appliance. **If a leak is found, turn the tank valve off and do not use the appliance until repairs can be made.**

- TIPS:** Before Starting
- Read the instructions thoroughly.
  - Check and make sure that all parts are present.
  - For future reference, save this instruction manual.

**TO LIGHT**

Before each use, inspect the hose. Replace hose if there are any signs of cutting, wear or abrasion.

- (1) Turn the cylinder valve on the gas tank counter-clockwise to open the gas supply.
- (2) Light the fire table as below in the following image:



**Note: This fire table is equipped with a Pilot Light that allows for safer startups and shutdowns. Pilot must be lit before Main Burner can be started.**

A. Press and hold the Electric Igniter. Meanwhile, push and turn the control knob counter-clockwise to the ‘PILOT’ position. Keep pushing the control knob to light the pilot burner.

**Note: For initial start or after any cylinder change, hold Control Knob IN for 2 minutes to purge air from gas lines before proceeding.**

- After ignition, release the Electric Igniter. Continue to push and hold the control knob for 45 seconds.
- If ignition does NOT immediately take place on pilot burner in seconds, push and turn the control knob clockwise to ‘OFF’. Wait 5 minutes, and then repeat the lighting procedure as above.
- After light the pilot burner, turn Control Knob to LO or HI position. Main Burner will light immediately. If not, repeat the lighting procedure as above.

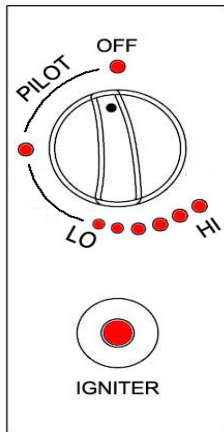
**Caution:** \*If the burner does not ignite with the valve open, gas will continue to flow out of the burner and could accidentally ignite with risk of injury.



Observe flame height when lit:  
Flame should possibly be a yellow/blue color between 2 to 10 inches high.

## TO EXTINGUISH

- A. Turn Control Knob clockwise to Pilot. (Normally, burner will make a slight popping sound when extinguished.) Burner will extinguish but Pilot burner will remain ON.
- B. To extinguish Pilot, depress Control Knob and continue to turn it clockwise to OFF.
- C. Turn the cylinder valve on the gas tank clockwise to close the gas supply if not in use for a long time.



## ROUTINE CARE

- Keep your fire table free and clear from combustible materials.
- Visually inspect burner from obstructions and keep fireplace free and clear from debris.
- After the burner and pumice stones are completely cooled down, use a soft brush to get rid of the mild stains, loose dirt and soil. Wipe with a soft cloth.

## STUBBORN STAINS

- Stubborn stains, discoloration and possibly rust pitting can occur from exposure to harsh outdoor conditions.
- Be careful not let any powder or solvent come in contact with painted or plastic components as damage may occur.

## MAINTENANCE

- Store the fire table in a cool dry place away from direct sunlight.
- The propane cylinder must be disconnected and removed from the fire table before the appliance can be stored indoors.
- Make sure both the gas and the fire table is turned off before changing battery. Please refer to the process of assembling battery.
- Use Manufacturer approved or supplied replacement parts and accessories only. Otherwise this may void the warranty of this product and result in a hazardous condition.
- Please contact the Manufacturer for information regarding replacement hoses, thermocouples, ignitors, pumice stones, etc.

IF YOU HAVE QUESTIONS OR CONCERNS

PLEASE CALL BOND TOLL FREE #

1-866-771-BOND(2663) OR TO BETTER EXPEDITE

YOUR REQUEST FEEL FREE TO EMAIL US

[customer.service@bondmfg.com](mailto:customer.service@bondmfg.com)

OR LOG IN TO OUR WEBSITE UNDER CUSTOMER SERVICE SUPPORT

[www.bondmfg.com](http://www.bondmfg.com)

BOND MANUFACTURING CO.

1700 West 4th Street Antioch, CA 94509 USA



## Free Manuals Download Website

<http://myh66.com>

<http://usermanuals.us>

<http://www.somanuals.com>

<http://www.4manuals.cc>

<http://www.manual-lib.com>

<http://www.404manual.com>

<http://www.luxmanual.com>

<http://aubethermostatmanual.com>

Golf course search by state

<http://golfingnear.com>

Email search by domain

<http://emailbydomain.com>

Auto manuals search

<http://auto.somanuals.com>

TV manuals search

<http://tv.somanuals.com>