



# Assembly Guide

Model Numbers:

- 12601559
- 12601578
- 12601663
- 12601664
- 12601665
- 12601688
- 12601514
- 12601514-C1



---

**ELECTRIC**

(English)

42804641 • 09/14/11

**CAUTION:** For your safety, before operating, Read Product Guide & Outdoor Cooking Guide provided with this grill.

**\*SAFETY First.....**Grill components may have sharp edges. Be careful when handling grill parts during assembly. We suggest that you wear a sturdy pair of leather gloves while handling the grill parts.

### **BEFORE You begin assembly of your grill....**

1. Carefully remove all components from the carton.
2. Familiarize yourself with the components and hardware used for assembly.
3. Please note that hardware used for assembly may not be shown actual size..
4. After removing components from the carton, split the carton open and use it as a soft, scratch-free work pad to assemble your grill.

### **BEFORE You Grill....**

1. Read Product Guide & Outdoor Cooking Guide
2. Position Grill Safely away from walls & structures.
3. Pre- Heat Grill—15 minutes on **5**, High to season grill.

### **NOTE....**

Installer: Leave instructions with the grill.

Consumer: Retain instructions for reference.  
Grill must be installed in accordance with local codes.....

Designed for outdoor use only...

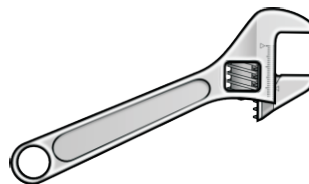
Read all instructions before operating...

### **TOOLS REQUIRED FOR ASSEMBLY**

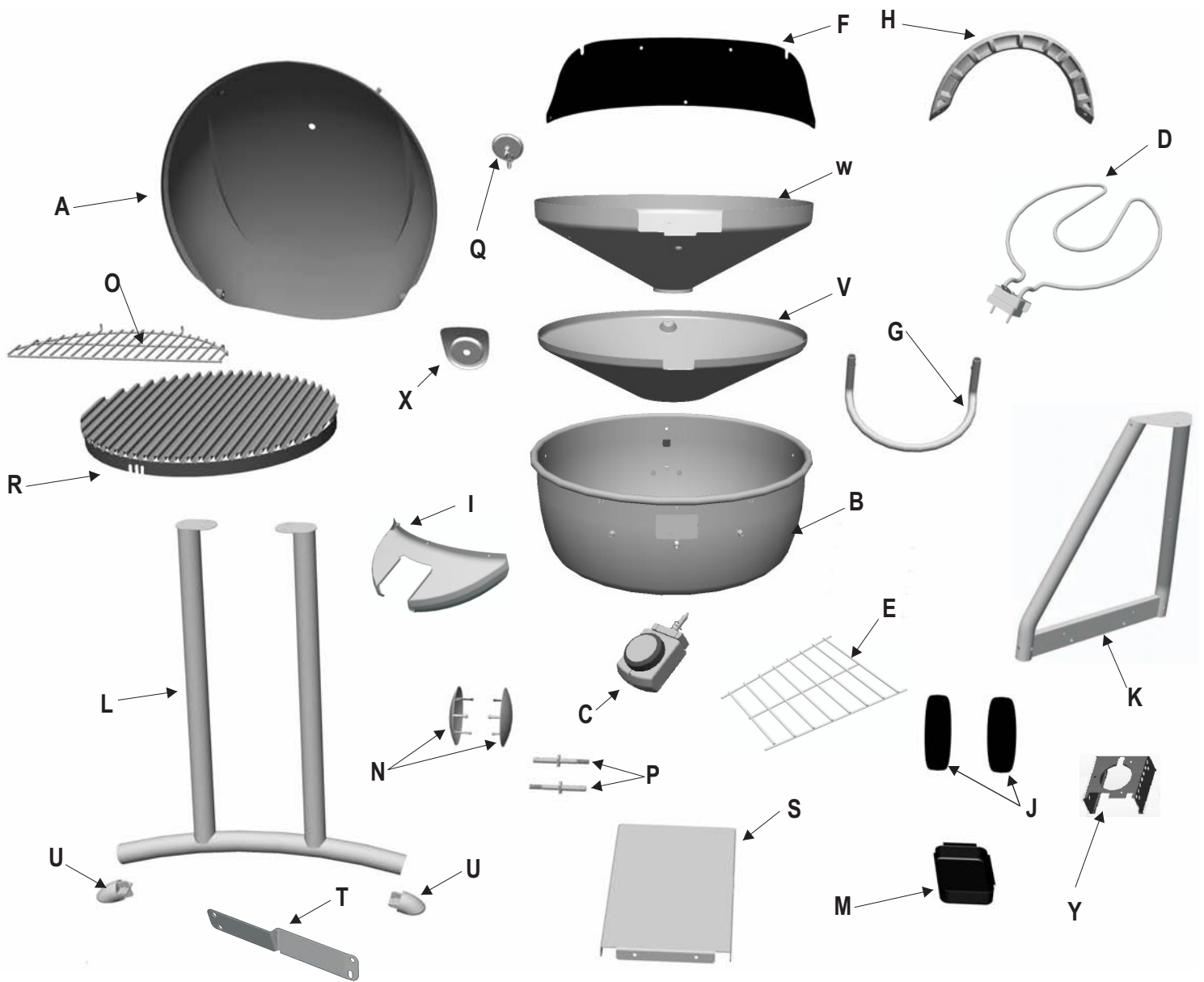
(Not Supplied)



Phillips Head  
Screwdriver



Small Adjustable  
Wrench

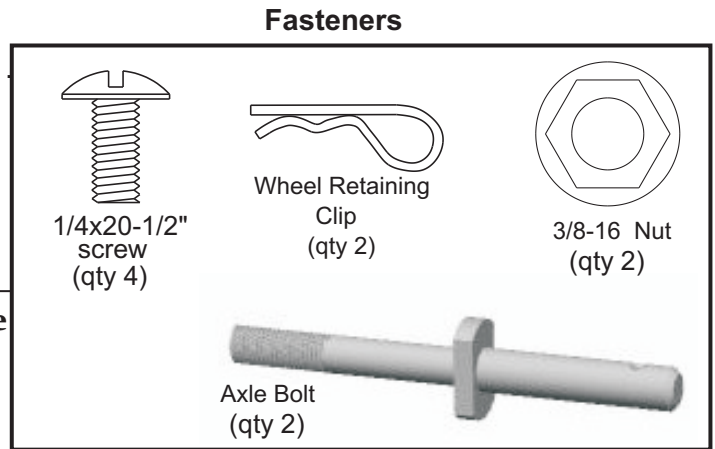


Key	Qty	Description	Key	Qty	Description	Key	Qty	Description
A	1	Grill Lid	M	1	Grease Tray	Y	1	Grease Tray Guide
B	1	Lower Body	N	2	Hubcap	—	1	Hardware Pack
C	1	Controller	O	1	Warming Rack	—	1	Assembly Guide, English
D	1	Element Assembly	P	2	Axle	—	1	Assembly Guide, Spanish, optional
E	1	Wire Shelf	Q	1	Heat Indicator	—	1	Assembly Guide, French, optional
F	1	Wind Shield	R	1	Cooking Grate	—	1	Product Guide, English
G	1	Towel Bar	S	1	Cart Base	—	1	Product Guide, Spanish, optional
H	1	Lid Handle	T	1	Cart Bracket	—	1	Product Guide, French, optional
I	1	Control Panel	U	2	Leg Cap	—	1	Grilling Guide, English
J	2	Wheel	V	1	Heat Shield	—	1	Grilling Guide, Spanish, web only
K	1	Rear Leg Set	W	1	Inner Reflector (Porcelain Bowl)	—	1	Grilling Guide, French, optional
L	1	Front Leg Set	X	1	Bezel			

NOTE: Some grill parts shown in the parts list may differ slightly in appearance from those on your particular model.

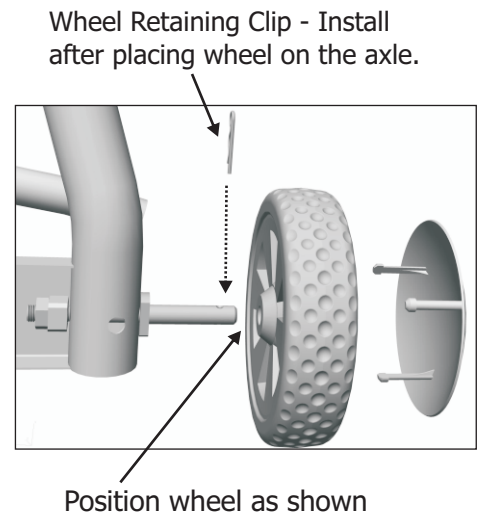
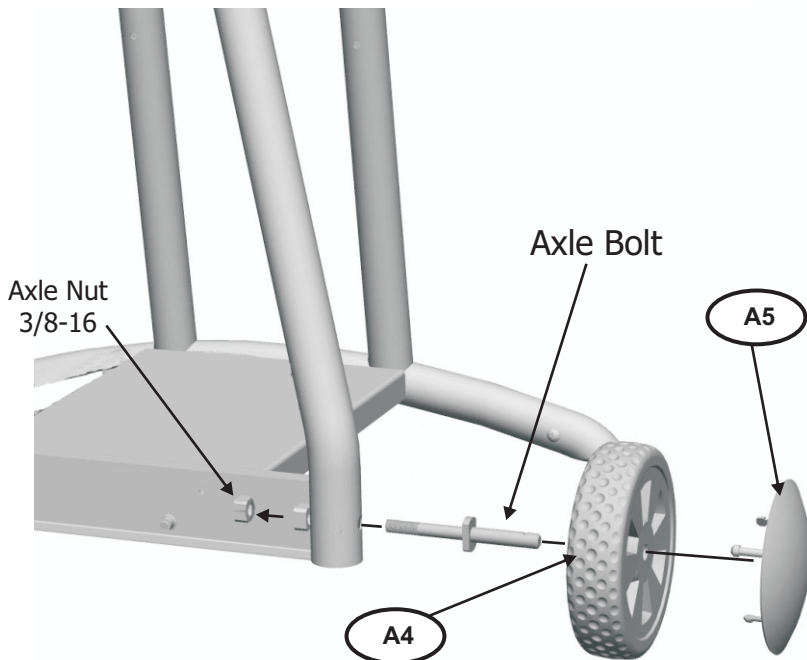
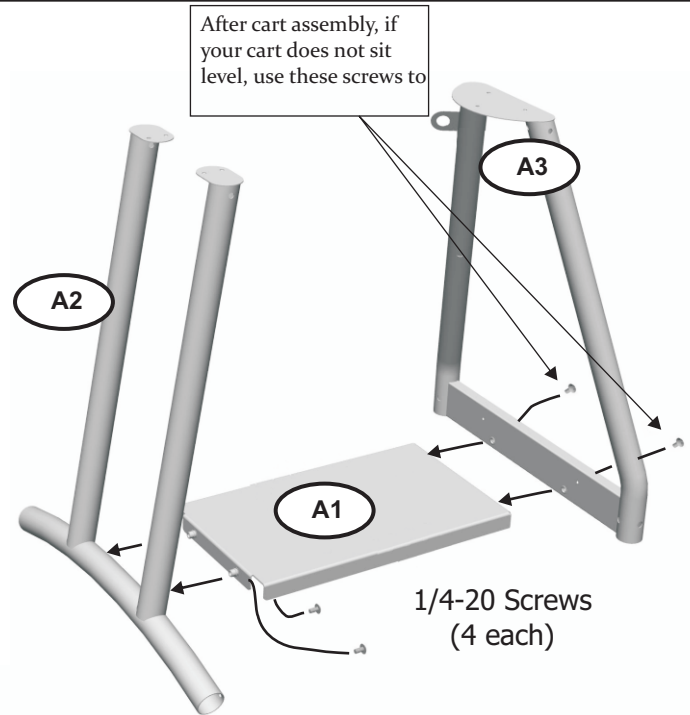


Part	Qty
A1- Cart Base	1
A2- Front Leg Set	1
A3- Rear Leg Set	1
A4- Wheels	2
A5- Hubcap	2



**Step 1-** Attach Front Leg Set (A2) to the Cart Base (A1) using 2 1/4-20 screws. Attach Rear Leg Set (A3) to the Cart Base (A1) in the

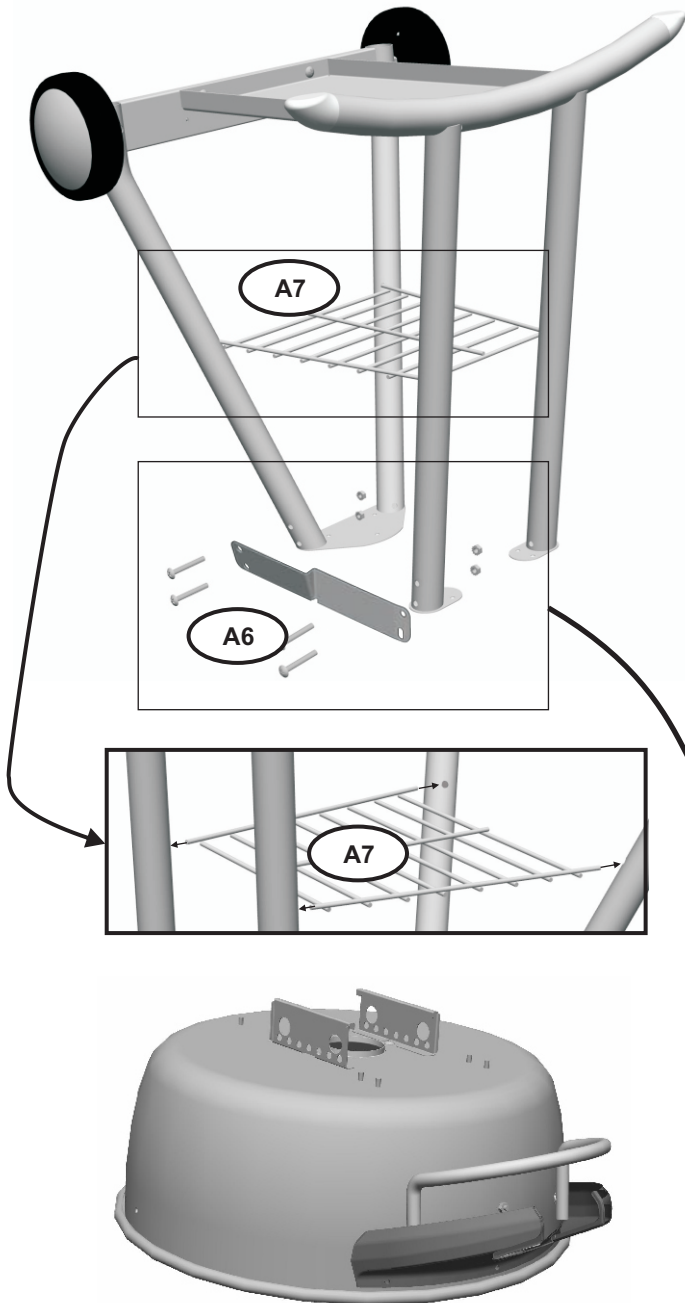
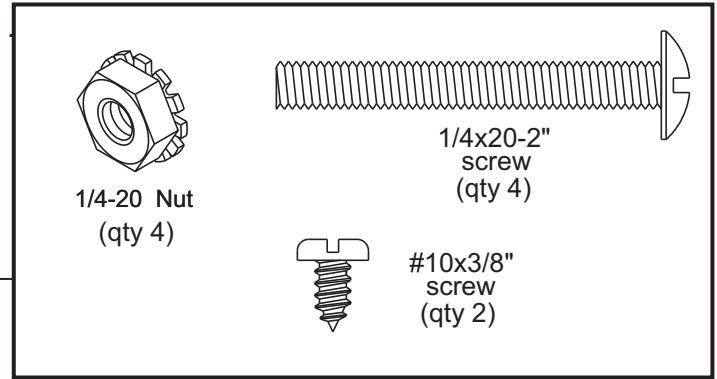
**Step 2-** Attach 2 Axle Bolts to the Rear Leg Set (A3), thread a 3/8-16 nut as shown and tighten securely using a small adjustable wrench. Slide a Wheel (A4) over an Axle Bolt and secure using a Wheel Retaining Clip. Repeat for other side. Position and Snap into place the



# A

Part	Qty
A6- Cart Bracket	1
A7- Wire Shelf	1
A8- Leg End Cap	2

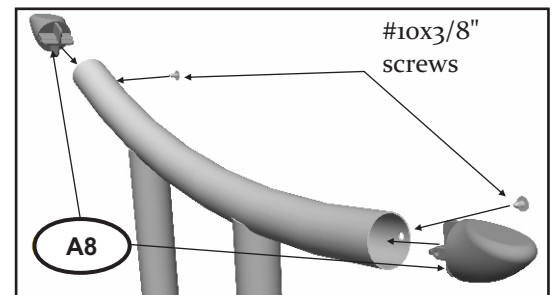
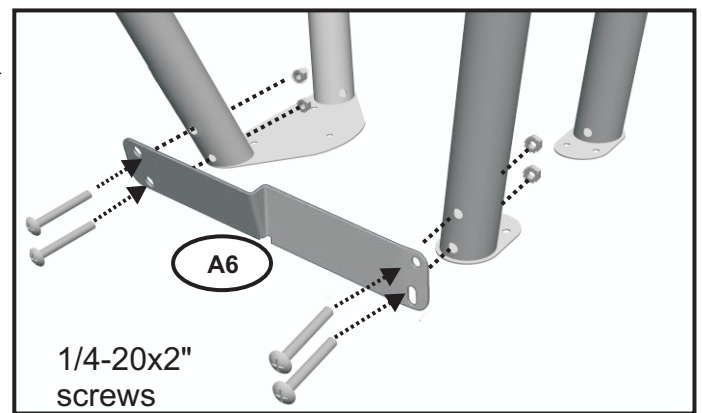
Fasteners



**Step 3** - Carefully turn the **Cart Assembly** over and allow it to rest on the tops of the leg assemblies. Spread the leg assemblies apart just far enough to allow the insertion of the **Wire Shelf (A7)** into the 4 leg holes. Assemble the **Cart Bracket (A6)** to the **Cart Assembly** by inserting 4 each **1/4-20x2" screws** into into corresponding holes as shown. Allow the **Cart Bracket** to rest on the floor, this will help with alignment. Secure with 4 each, **1/4-20 nuts** using a small adjustable wrench, not supplied. **FINGER TIGHTEN ONLY AT THIS POINT.** The bracket will be tightened in step B2.

Be sure to install **Cart Bracket (A6)** on the side shown. Once complete -leave the cart in the upside down position.

Lastly, insert the **Leg End Caps (A8)** into the front

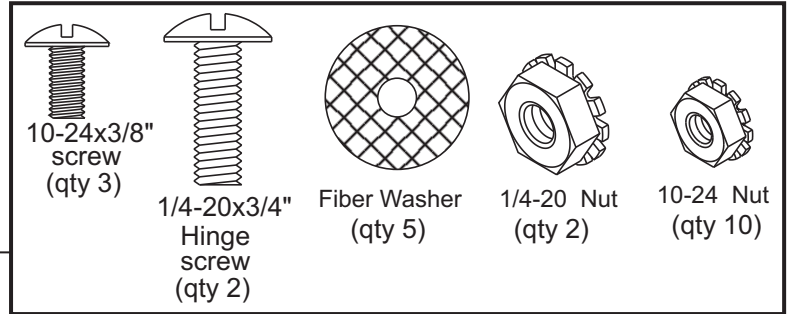


Place the Grill Bottom on the carton pad upside down in preparation for the next step.

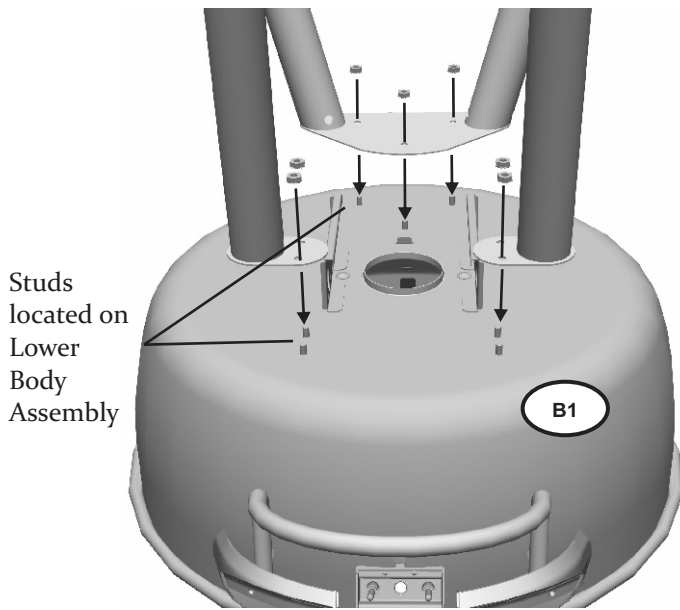
**B**

Part	Qty.
<b>B1</b> – Lower Body	1
<b>B2</b> – Wind Shield	1
<b>B3</b> – Grill Lid	1

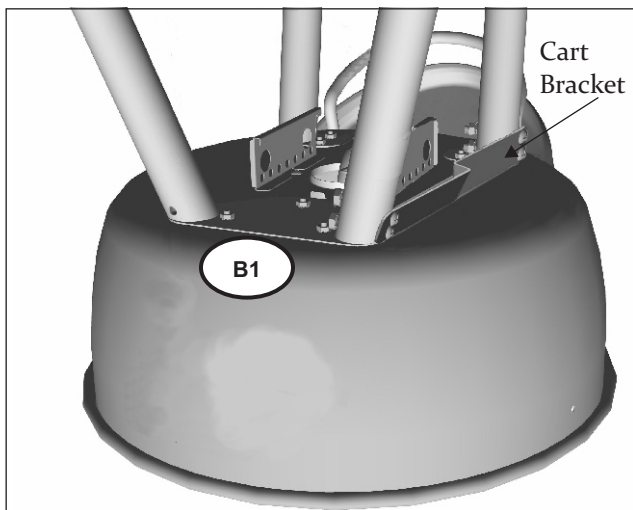
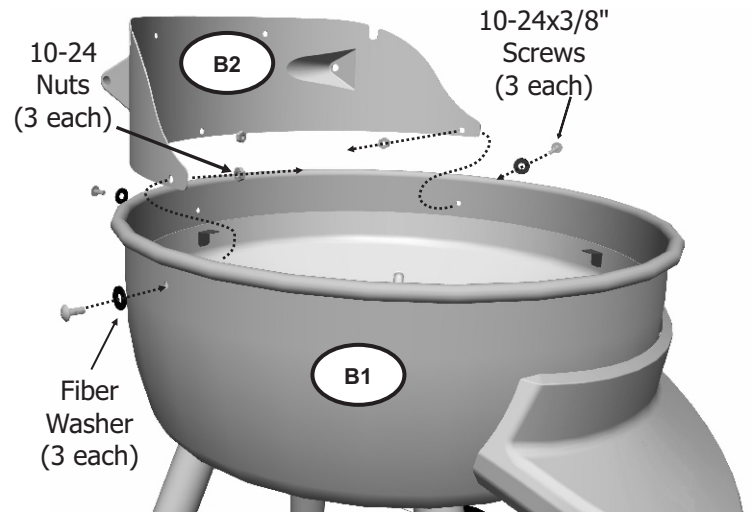
Fasteners



**Step 1** - Attach the **Lower Body Assembly (B1)** to the **Cart Assembly** by aligning the studs on the bottom of the grill with the corresponding holes in the tops of the leg assemblies. Secure with 7 each **10-24 nuts**. A Nut Driver (not supplied) will work nicely for this step.

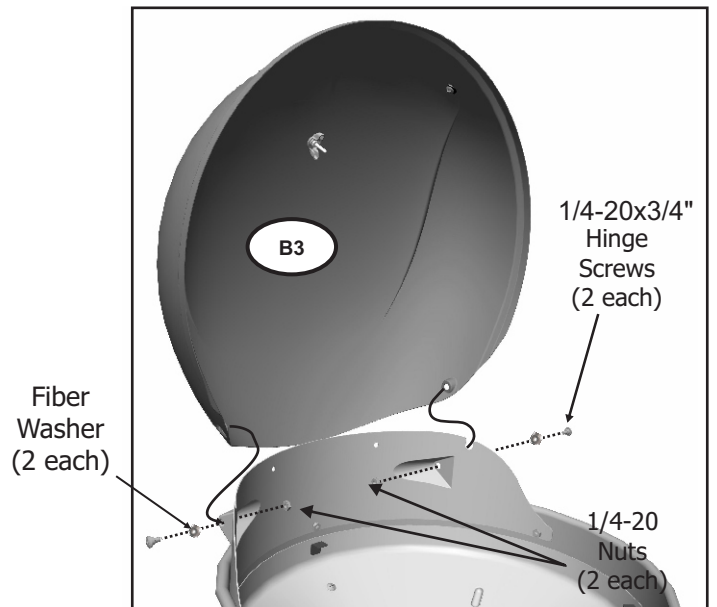


**Step 3** - Attach the **Wind Shield (B2)** to the **Lower Body (B1)** by aligning the holes in the panels with the corresponding holes in the **Lower Body**. Secure with 3 **10-24 nuts**, 3 **10-24x3/8" Screws**, and 3 **fiber washers**. The **Wind Shield** will rest inside the **Lower Body**.



**Step 2** - With the legs assembled to the **Lower Body**, tighten the 4 screws holding the **Cart Bracket** in place. Once complete, turn the grill over to the upright position.

**Step 4** - Attach the **Grill Lid (B3)** by aligning the hinge holes in the lid to the matching holes in the **Wind Shield (B2)**. Insert 2 **Hinge Screws** into the holes and secure with 2 **1/4-20 nuts** and two **Fiber washers** from the inside of the grill.

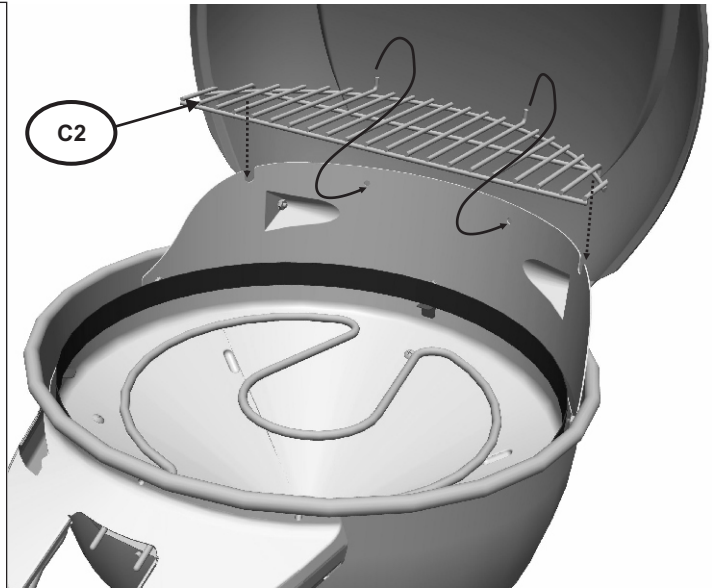
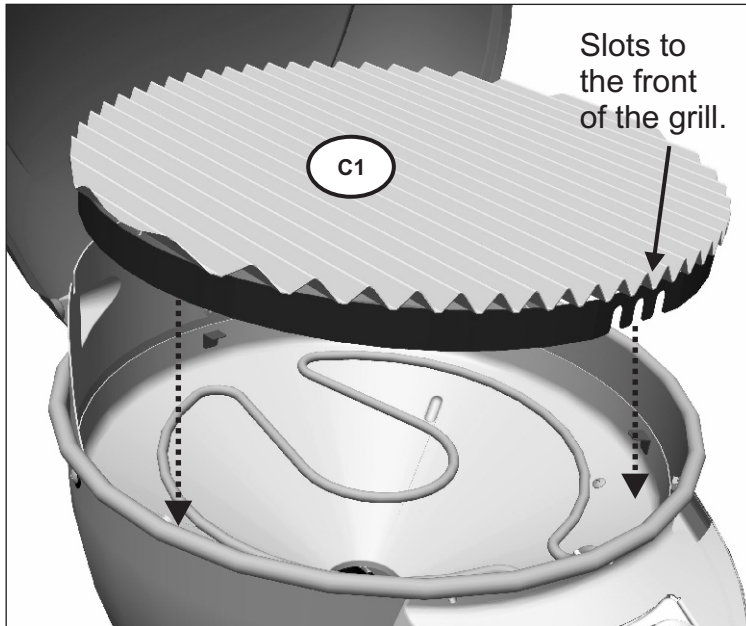


C

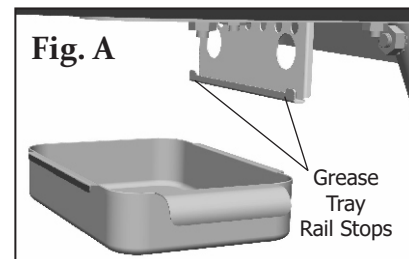
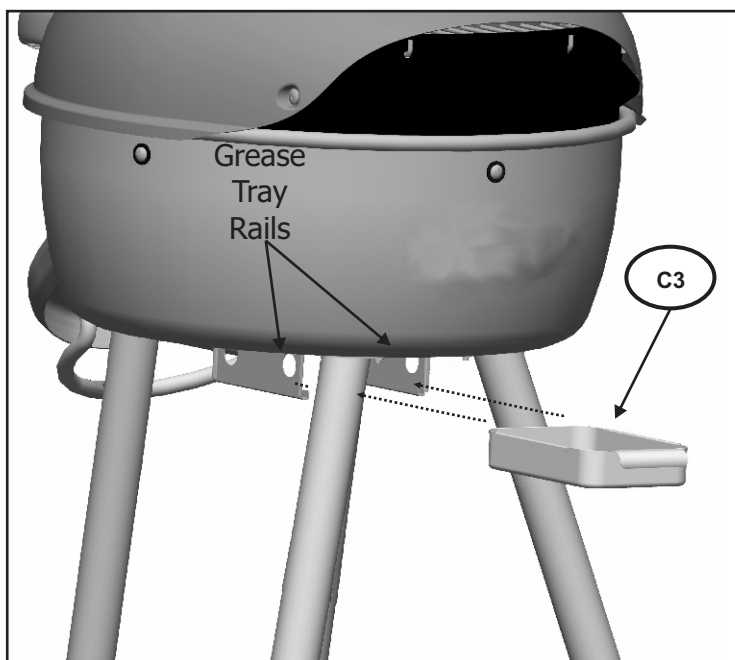
Part	Qty.
C1 – Cooking Grate	1
C2 – Warming Rack	1
C3 – Grease tray	1

**NOTE:** The **Cooking Grate** may have sharp edges. Be very careful when handling the **Cooking Grate**. You should wear gloves when handling the **Cooking Grate**.

**Step 1** - With the **Grill Lid** open, place the **Cooking Grate (C1)** into the **Lower Body**, allowing it to rest on the three brackets spaced around the **Lower Body**. Be sure the slots in the **Cooking Grate** are facing the front of the grill. Place the **Warming Rack (C2)** into position by first hooking the center pins into the wind shield, then rotate the warming rack down into position.



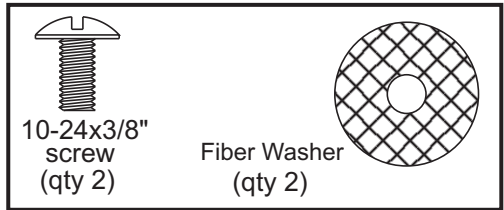
**Step 2** - Install the **Grease Tray (C3)** by sliding the tray onto the **Grease Tray Rails** from the rear of the grill. **Note:** The





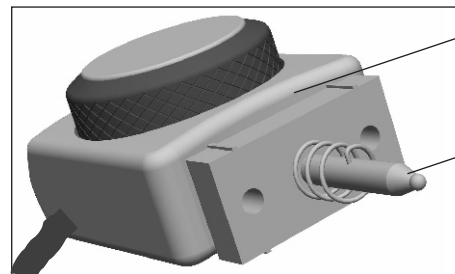
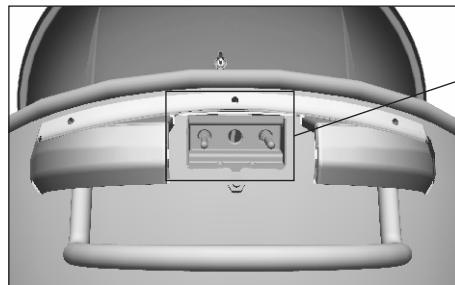
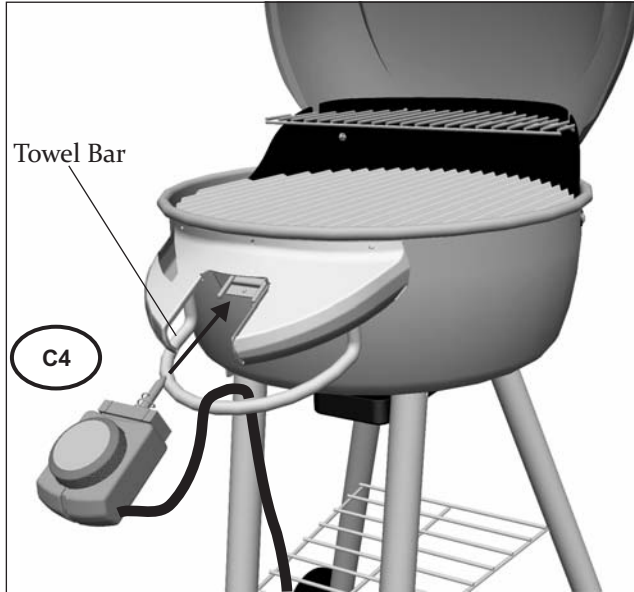
Part	Qty.
C4 – Controller	1
C5 – Lid Handle	1

**Fasteners**



**NOTE:** Be sure to press the controller into the receptacle as far as it will go. Route the controller cord **BEHIND** the towel bar as shown.

**Step 3** - Install the **Controller (C4)** into the receptacle. Be sure to route the controller cord behind the towel bar when installing the controller. The control knob should be facing up as you engage the tip of the controller into the receptacle. Push the controller in all the way until you hear a click, this will ensure your controller is installed properly.

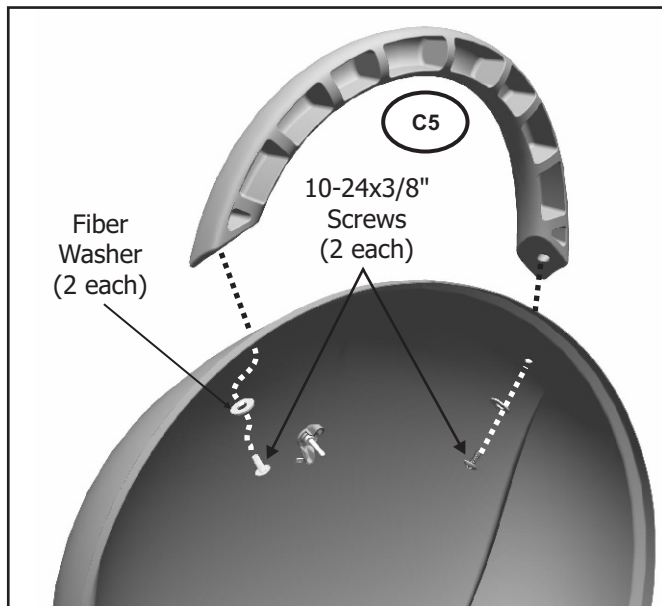


Receptacle

Controller

Controller Tip

**Step 4** - Install the **Lid Handle (C5)** with 2 10-24x3/8" screws and 2 fiber washers as shown.



**Ground Fault Interrupter**

- Since 1971 the National Electric Code (NEC) has required Ground Fault Interrupter devices on all outdoor circuits.
- If your residence was built before 1971, check with a qualified electrician to determine if a Ground Fault Interrupter protector exists.
- Do not use this appliance if the circuit does not have GFI protection.
- Do not plug this appliance into an indoor circuit.

**Congratulations!** You have successfully completed the assembly of your grill.





## Free Manuals Download Website

<http://myh66.com>

<http://usermanuals.us>

<http://www.somanuals.com>

<http://www.4manuals.cc>

<http://www.manual-lib.com>

<http://www.404manual.com>

<http://www.luxmanual.com>

<http://aubethermostatmanual.com>

Golf course search by state

<http://golfingnear.com>

Email search by domain

<http://emailbydomain.com>

Auto manuals search

<http://auto.somanuals.com>

TV manuals search

<http://tv.somanuals.com>