



Setting Up Your Dell™ PowerVault™ MD1120

CAUTION:

Before you set up and operate your Dell PowerVault system, review the safety instructions that came with your system.

Dell Software License Agreement

- Before using your system, please read the Dell Software License Agreement that came with your system. This agreement is also located at support.dell.com under "Terms of Sale."
- You must consider any CD, DVD, or diskette set of Dell-installed software as BACKUP copies of the software installed on your system's hard-disk drive.
- If you do not accept the Dell Software License Agreement terms, please call the customer assistance telephone number. For customers in the United States, call 800-WWW-DELL (800-999-3355). For customers outside the United States, visit support.dell.com, specify your country or region in the **Choose a Country/Region** drop-down menu, and click **Contact Us**.

Inside the Box

- **Dell PowerVault MD1120 Documentation CD** — contains all system documentation, including:

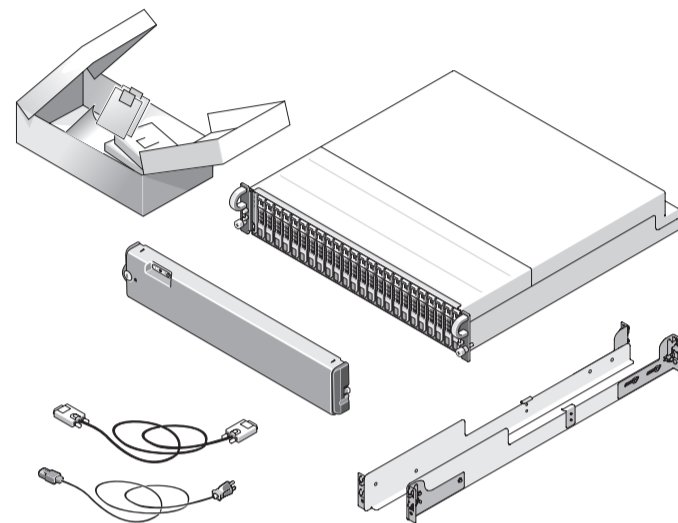
Getting Started Guide — installation instructions for hardware.

Hardware Owner's Manual — information about the hardware enclosure.

Rack Installation Guide — information about installing the rack (comes with Rail Kit, if ordered).

- **Cables, power cord, rails, and bezel (optional)**

For more information, go to support.dell.com.



Warning: Do not use the power supply handles to lift the enclosure.

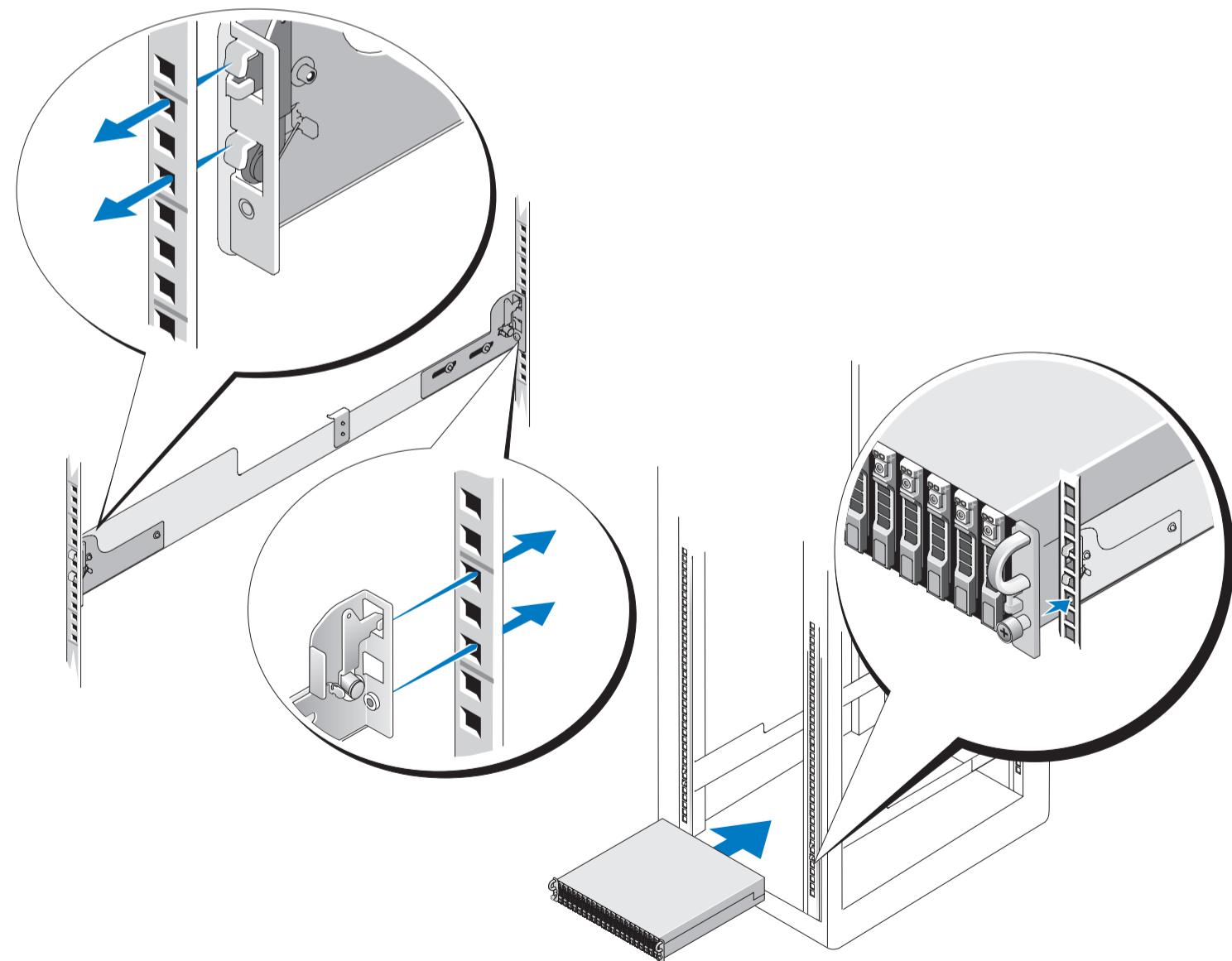
1 Unpack your system.

Cabling Your Enclosure for Unified or Split Mode

How you cable your enclosure to your host controller depends on the configuration you choose: **unified** or **split mode**.

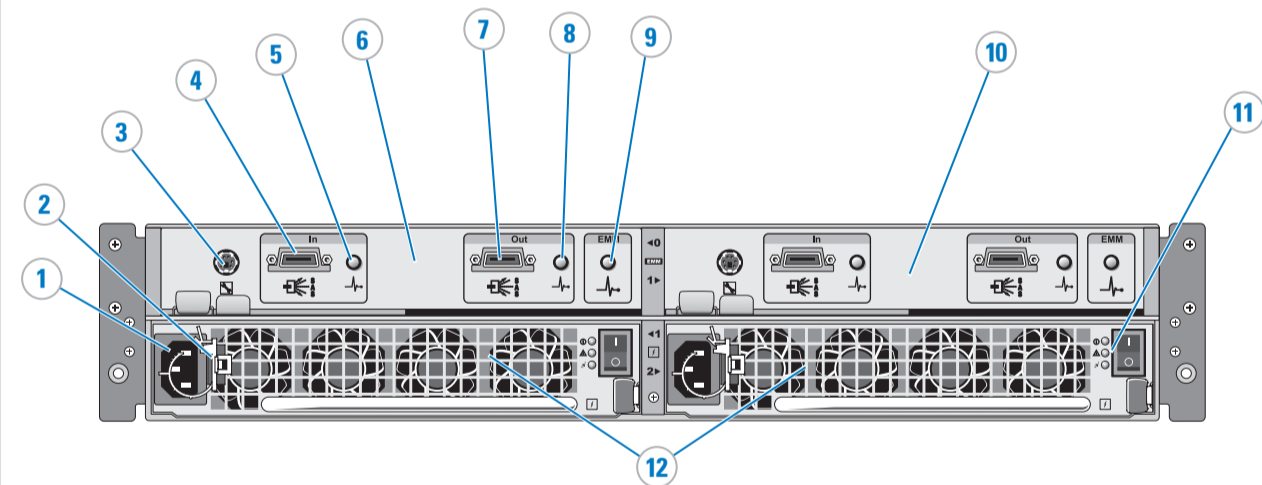
- A **unified** configuration is one in which your enclosure is connected to one host (for example, a server with a controller card). In unified mode, up to three enclosures can be daisy-chained to a single port on the controller card in your host server. See your RAID controller documentation for redundant multi-path configuration.
- A **split-mode** configuration is one in which the physical disks in your storage enclosure are split into two groups, with 12 physical disks controlled by one enclosure management module and 12 physical disks controlled by the other enclosure management module. In this configuration, two host controllers or controller ports may be connected to the enclosure (one to each enclosure management module). The mode switch on the enclosure must be in the split-mode position to enable this configuration.

2 Before you begin.



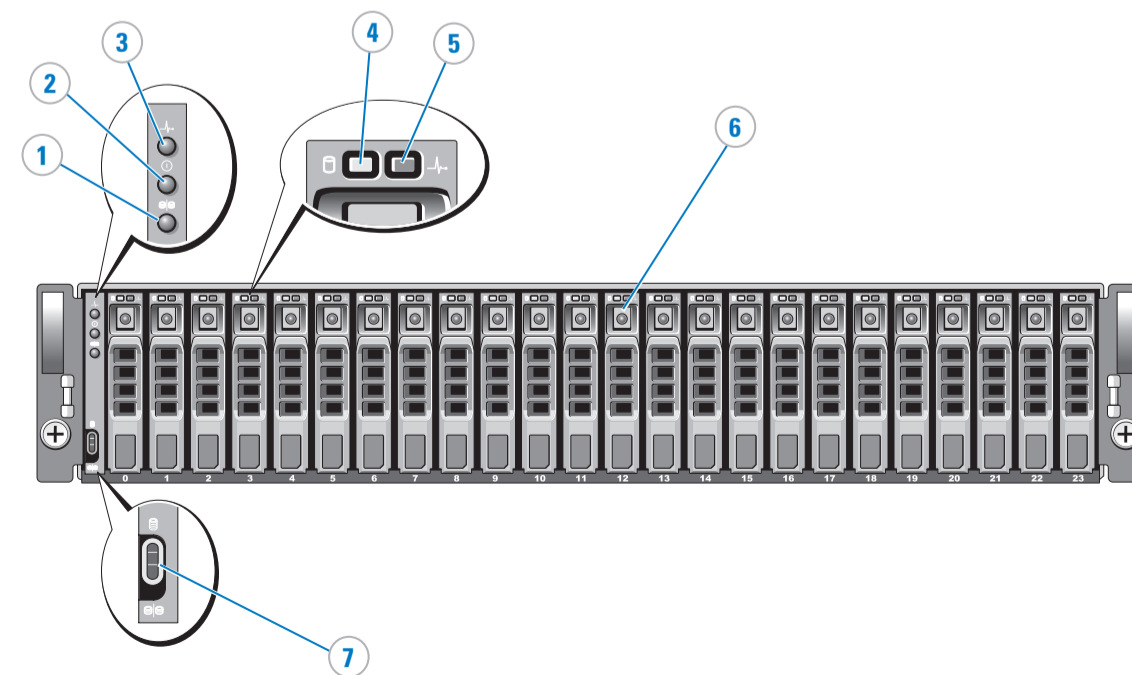
3 Install the system in the rack. For additional information, see the documentation included with your rack.

Back-panel features



1. Power outlet
2. Power cord retention clip
3. Debug port
4. SAS port (In)
5. In port link status LED (green/amber)
6. Primary EMM
7. SAS port (Out)
8. Out port link status LED (green/amber)
9. EMM status LED (green/amber)
10. Secondary EMM
11. Power supply LEDs
12. Power supply/cooling fan modules (2)

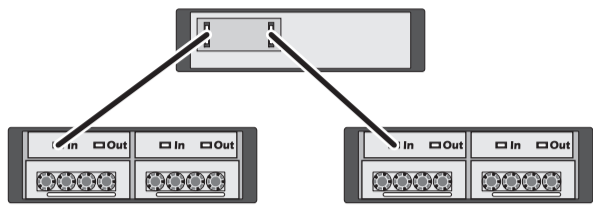
Front-panel features



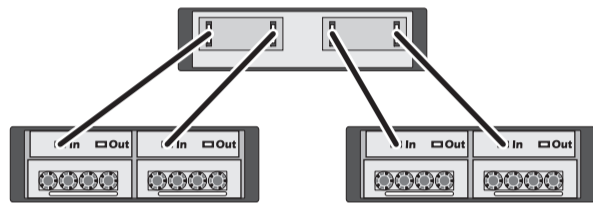
1. Split-mode LED (green)
2. Power LED (green)
3. Enclosure status LED (blue/amber)
4. Physical disk activity LED (green)
5. Physical disk status LED (green/amber)
6. Physical disks (24)
7. Enclosure mode switch

4 Identify the ports and connectors on your MD1120.

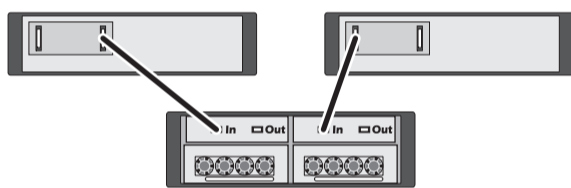
**Single Host Server, Unified Mode
(No Expansion)**



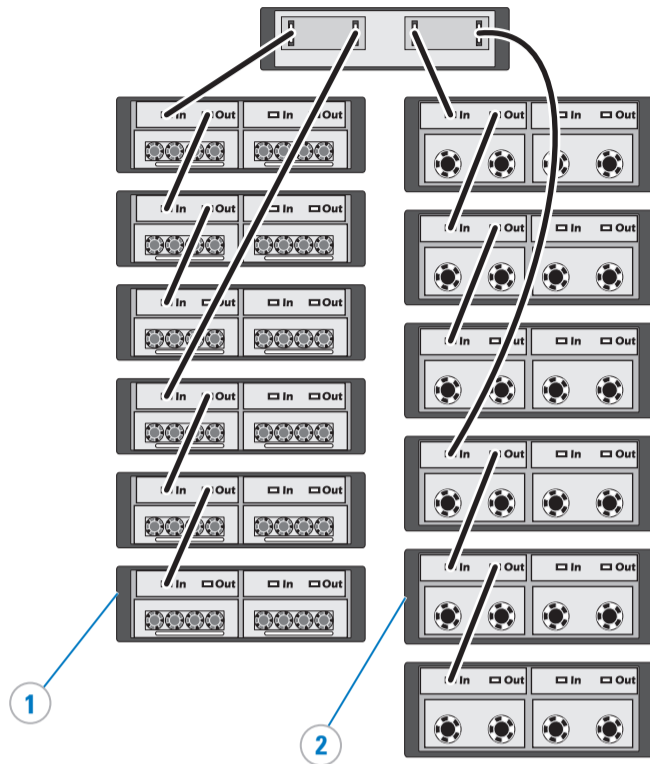
**Single Host Server, Split Mode
(Expansion Not Supported)**



**Two Host Servers, Split Mode
(Expansion Not Supported)**



**Single Host Server, Unified Mode
(MD1120 and MD1000 Maximum Expansion)**



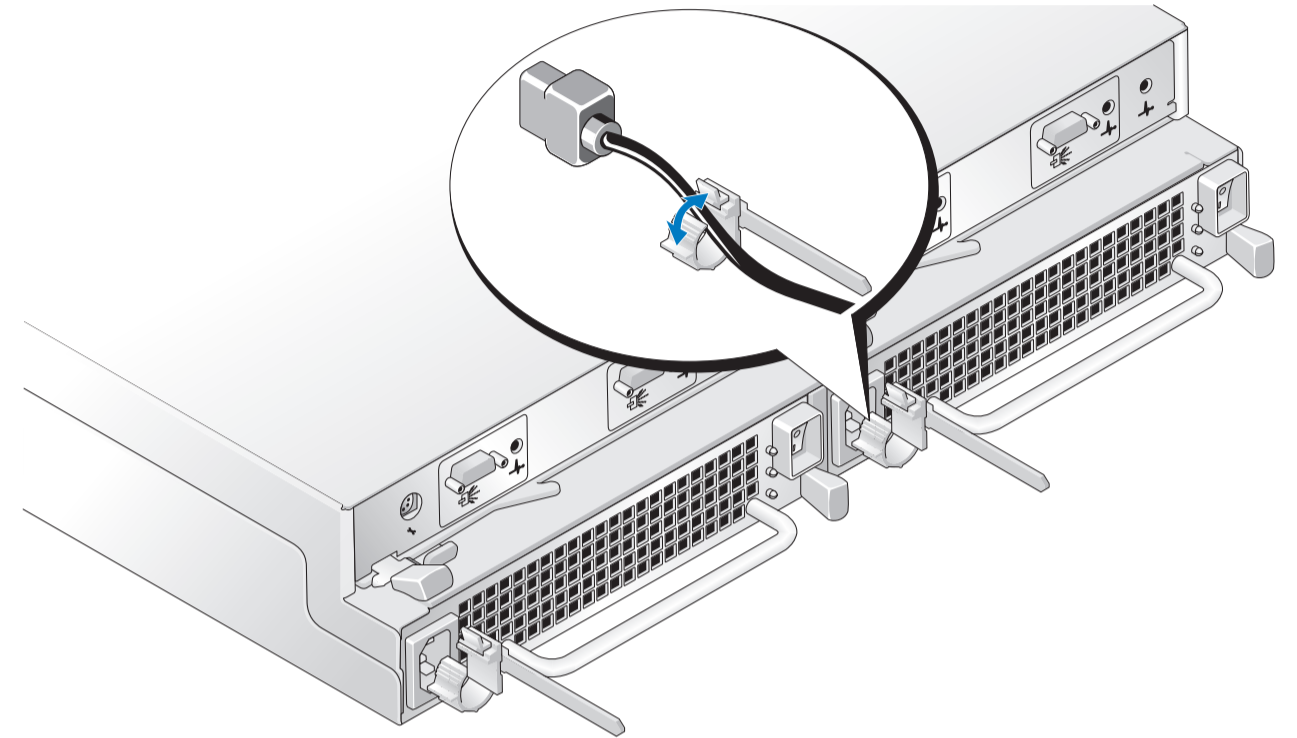
1. MD1120 enclosure
2. MD1000 enclosure

Note: Attaching the MD1120 and MD1000 to the same controller is not supported. Use separate controllers (as pictured).

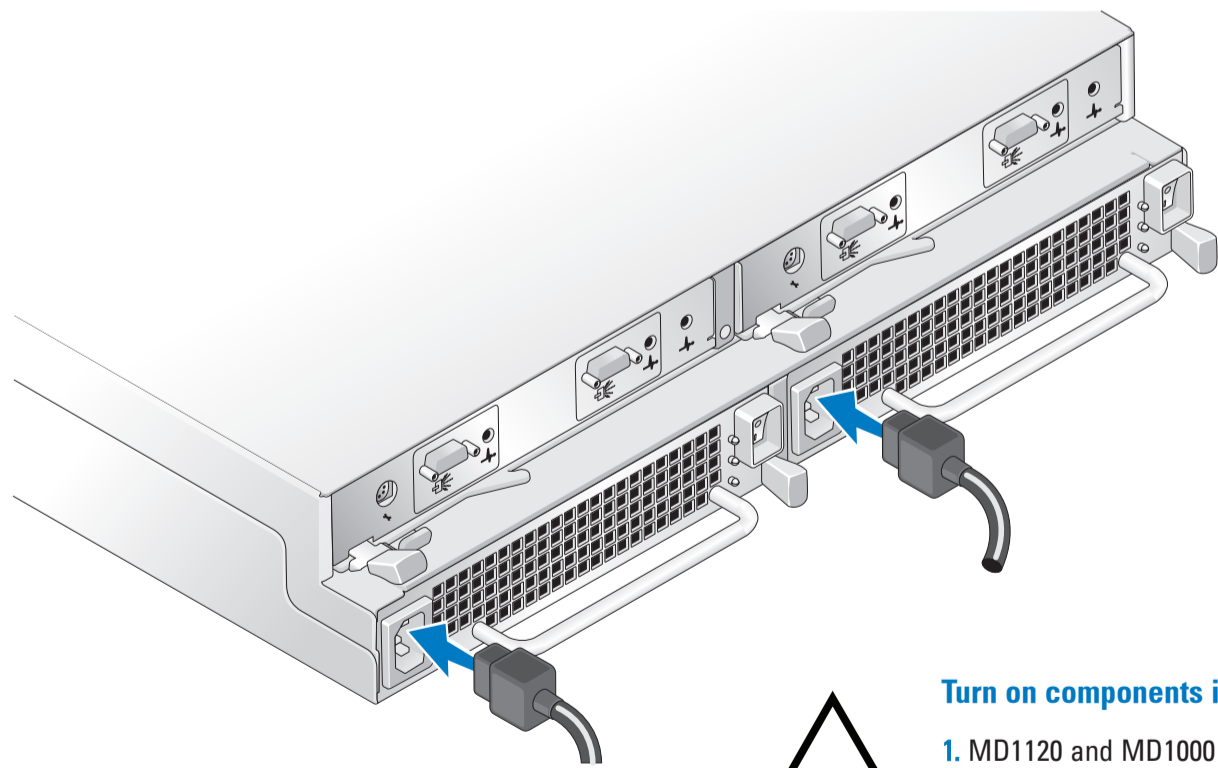
Note: The configuration could also be comprised of 12 MD1120 enclosures, six on each controller. Support is limited to two controllers per server.

Note: See your RAID controller documentation for redundant multi-path configuration.

5 Cable the MD1120 to the host server(s). For more information, see the *Hardware Owner's Manual*.



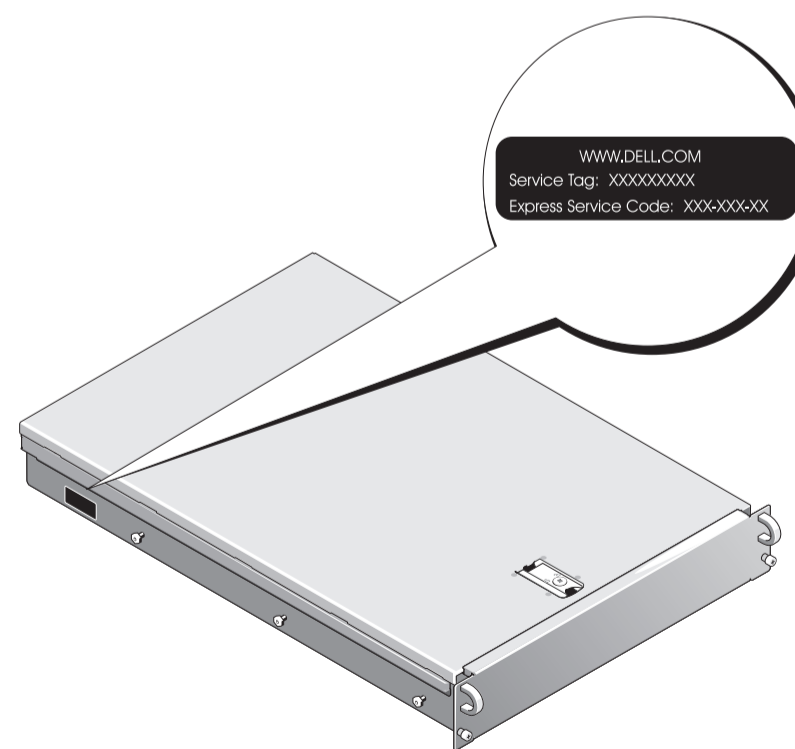
6 Connect the power cord and attach the power cord retention clips.



Turn on components in the following order:

1. MD1120 and MD1000 (if used) expansion enclosures
2. Host server(s)

7 Turn on your system components in the order shown.



System Service Tag location:

- When you contact technical support, the Express Service Code helps route your call to the appropriate support area and the Service Tag number helps identify your system.
- In the figure, the location of the Service Tag number and Express Service Code is shown. Write down this information and store it in a safe place.

8 Locate your System Service Tag

Free Manuals Download Website

<http://myh66.com>

<http://usermanuals.us>

<http://www.somanuals.com>

<http://www.4manuals.cc>

<http://www.manual-lib.com>

<http://www.404manual.com>

<http://www.luxmanual.com>

<http://aubethermostatmanual.com>

Golf course search by state

<http://golfingnear.com>

Email search by domain

<http://emailbydomain.com>

Auto manuals search

<http://auto.somanuals.com>

TV manuals search

<http://tv.somanuals.com>