

SERVICE INSTRUCTIONS

www.keatingofchicago.com

KEATING
OF CHICAGO, INC. ®

1-800-KEATING

REQUIRED FIELD TEST BEFORE REPLACING MILLIVOLT GRIDDLE THERMOSTATS KEATING PART #037088 & KEATING PART #023897

1. Make sure that the thermostat capillary and bulb are completely protected by the shield, except for 1" (not including the swedge) at the end of the thermostat bulb. (See Note 1)
2. Make sure that the thermostat shield extends to the front edge of the plate, and that the capillary goes through the formed end of the shield. (See Note 2)
3. Make sure that the bolts which hold the thermostat bulb and shield in place do not touch the thermostat bulb. (See Note 3)
4. Make sure the capillary bulb is completely touching the bottom surface of the griddle plate.

DO NOT TIGHTEN THE BOLTS ON THE THERMOSTAT SHIELD MORE THAN FINGER TIGHT AND 1/4 TURN OR THEY WILL CRUSH THE THERMOSTAT BULB.

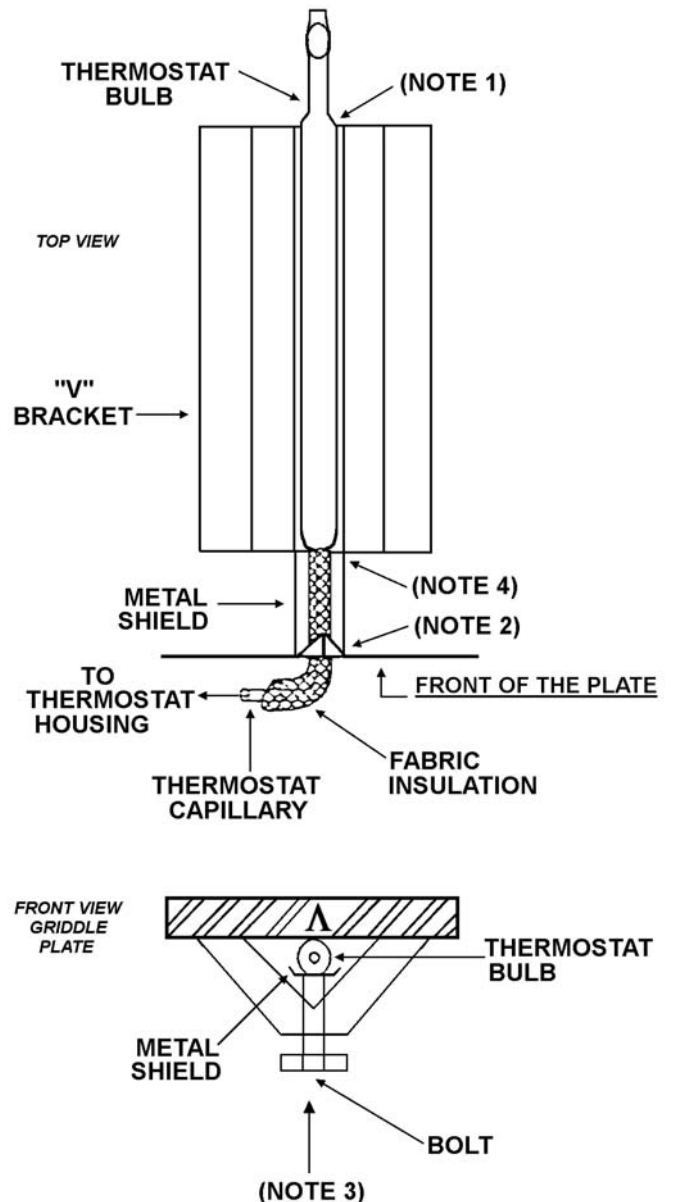
5. Make sure that on part #037088 thermostat the insulation has been moved up the capillary and starts at the beginning of the thermostat bulb. (See Note 4)

WARNING: Disassembling the thermostat will void the thermostat warranty.

REQUIRED TEST EQUIPMENT:

Multimeter for testing continuity

6. CHECKING CONTINUITY WITH THE MULTIMETER
 - A. Rotate the thermostat shaft until an audible click is heard.
 - B. Rotate the thermostat shaft left and right ten times causing the switch to click on and off ten times, while using the Multimeter to verify continuity.
 - C. If the switch does not show continuity during all ten trials, replace the thermostat.



Free Manuals Download Website

<http://myh66.com>

<http://usermanuals.us>

<http://www.somanuals.com>

<http://www.4manuals.cc>

<http://www.manual-lib.com>

<http://www.404manual.com>

<http://www.luxmanual.com>

<http://aubethermostatmanual.com>

Golf course search by state

<http://golfingnear.com>

Email search by domain

<http://emailbydomain.com>

Auto manuals search

<http://auto.somanuals.com>

TV manuals search

<http://tv.somanuals.com>