

# *Parts Manual*

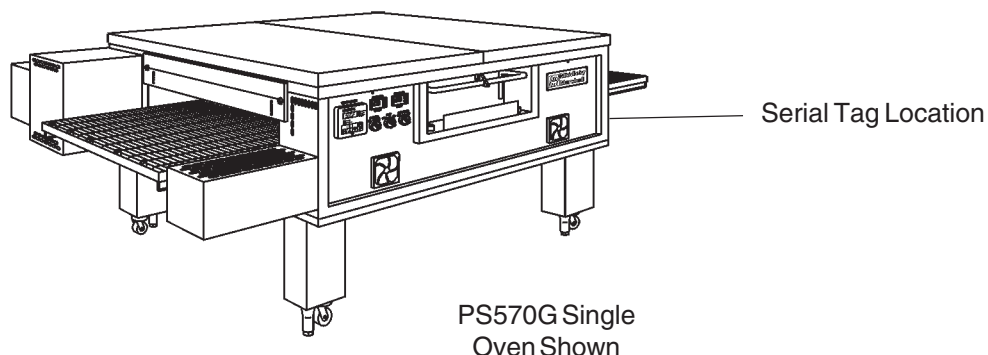
## *with Wiring Diagrams*

### *for domestic and standard export ovens*

Serial # Code (Nine Digit Code)  
(for units produced prior to mid-July, 2006)  
First 4 digits - order of production  
Fifth digit - model specific  
Sixth and Seventh digit - month of production  
Eighth and Ninth digit - year of production

Serial # Code (Ten Digit Code)  
(for units produced after mid-July, 2006)  
First 5 digits - order of production  
Sixth digit - model specific  
Seventh and Eighth digit - month of production  
Ninth and Tenth digit - year of production

The PS570G replaced the PS570S.  
They are different!  
The PS570G requires a 208/240V, 1Phase Power Supply.  
Therefore the Control Circuit is 208/240V.  
A Modulating Gas Valve and Signal Amplifier Board were  
incorporated to reduce energy consumption and increase  
cooking efficiency.  
We call this our Energy Management System (EMS).



## **Table of Contents: Page 2**

[www.middleby.com](http://www.middleby.com)

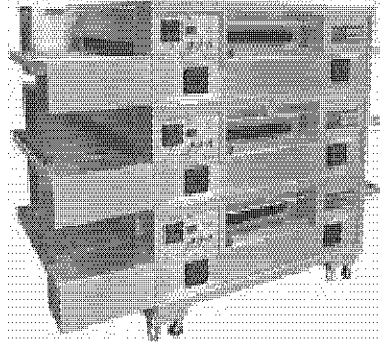
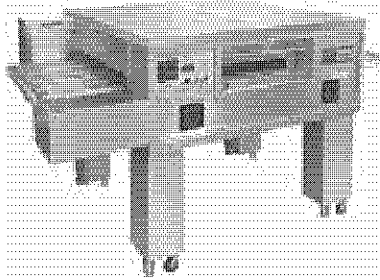
email: [techsupport@middleby.com](mailto:techsupport@middleby.com)

1-847-741-3300 fax 1-847-741-4406

©2005 Middleby Marshall Inc. 1400 Toastmaster Drive • Elgin, IL 60120

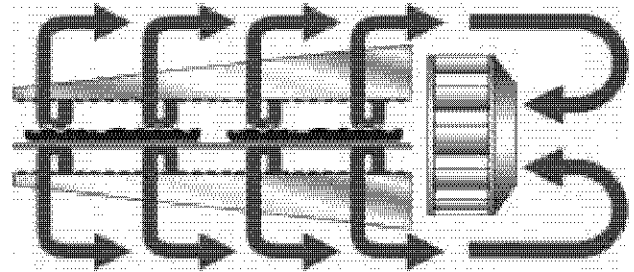
## Table of Contents

Specification Sheet .....	3
Key Parts .....	7
View of Installation and Base Pad Kit(s) .....	8
Parts for Installation and Base Kit(s) .....	9
View of Oven Panels, End Plugs, Window and Legs .....	10
Parts for Oven Panels, End Plugs, Window and Legs .....	11
View of Front Control Area .....	12
Parts for Front Control Area .....	13
View of Gas Piping and Burner Assembly .....	14
Parts for Gas Piping and Burner Assembly .....	15
View of Rear Blower/Motor Assembly .....	16
Parts for Rear Blower/Motor Assembly .....	17
View of Rear Capacitor Area .....	18
Parts for Rear Capacitor Area .....	19
View of "Single" Belt Conveyor .....	20
Parts for "Single" Belt Conveyor .....	21
View of "50-50" Split Belt Conveyor .....	22
Parts for "50-50" Split Belt Conveyor .....	23
Standard Finger Configuration 31257 and Part Numbers .....	24
Wiring Diagram, G208-240 volt 50/60 Hz, 1 Phase, US, 45520 Rev E 2 of 2 .....	25
Ladder Diagram, G208-240 volt 50/60 Hz, 1 Phase, US, 45520 Rev E 1 of 2 .....	26
Wiring Diagram, G208-240 volt 50/60 Hz, 1 Phase, AU, 46978 Rev D .....	27
Wiring Diagram, G208-240 volt 50/60 Hz, 1 Phase, CAN, 47285 Rev C .....	28
Wiring Diagram, G230 volt 50 Hz, 1 Phase, CE, DN 47263 Rev C .....	29
Wiring Diagram, G230 volt 50 Hz, 1 Phase, CE, DUT 47265 Rev C .....	30
Wiring Diagram, G230 volt 50 Hz, 1 Phase, CE, FR 47257 Rev C .....	31
Wiring Diagram, G230 volt 50 Hz, 1 Phase, CE, GM 47255 Rev C .....	32
Wiring Diagram, G230 volt 50 Hz, 1 Phase, CE, GK 47261 Rev C .....	33
Wiring Diagram, G230 volt 50 Hz, 1 Phase, CE, IT 47253 Rev C .....	34
Wiring Diagram, G230 volt 50 Hz, 1 Phase, CE, SP 47259 Rev C .....	35
Wiring Diagram, G230 volt 50 Hz, 1 Phase, CE, UK 45587 Rev F 2 of 2 .....	36
Ladder Diagram, G230 volt 50 Hz, 1 Phase, CE, UK 45587 Rev F 1 of 2 .....	37



**Principle**

Middleby Marshall PS Series Conveyor ovens bake both faster and at a lower temperature than other ovens. Patented vertical columns of hot air move heat aerodynamically instead of using high temperatures. The streams of hot air remove the boundary layers of cool heavy air which tend to insulate the product. This gives very rapid baking without burning. All Middleby ovens are designed to cook a multitude of products including pizza, seafood, bagels, ethnic foods and more.



**Standard Features**

- **Impingement PLUS!** low oven profile and dual air return
- **Patented EMS Energy Management System** reduces gas consumption and increases cooking efficiency
- 70"/1778mm-long cooking chamber
- 32"/813mm-wide, 106"/2692mm-long conveyor belt
- Stackable up to four units high
- Patented "Jet Sweep" impingement process that delivers constant heat to the chamber
- Microprocessor-controlled bake time/conveyor speed
- Customer-specific adjustable jet fingers that allow control of heat delivery
- Stainless steel front, sides and top
- Front-loading window with cool handle
- Reversible conveyor direction

**Optional Features**

- Split belt - two 15"/381mm belts with individually-adjustable speed settings

**Conserves Energy**

Middleby ovens provide very efficient heat transfer to product. Energy is conserved as air is recycled from heater to product, with minimum flue or vent loss.

**Cleanability**

PS570 ovens are designed for easy cleaning. Removable parts include: crumb pans, end panels, air fingers, and a folding conveyor belt assembly.

**Easily Serviced**

Control compartment is designed for quick and easy access. All electrical controls are door-mounted.

**Warranty**

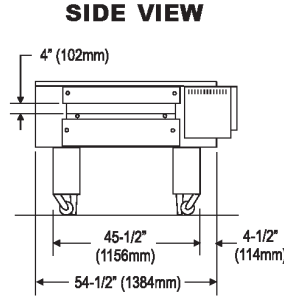
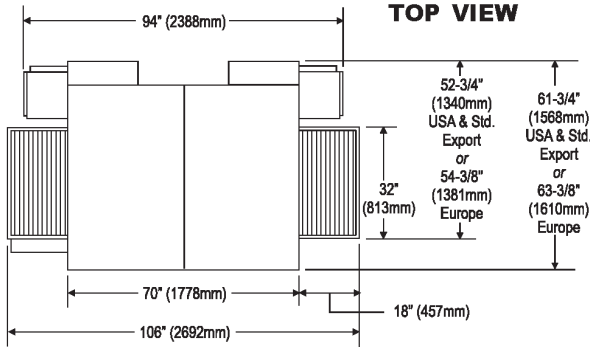
All PS570 models have a one year parts and labor warranty. Oven start-up and demonstration are included at no additional charge (USA only).

**Ventilation**

For installation under a ventilation hood only.

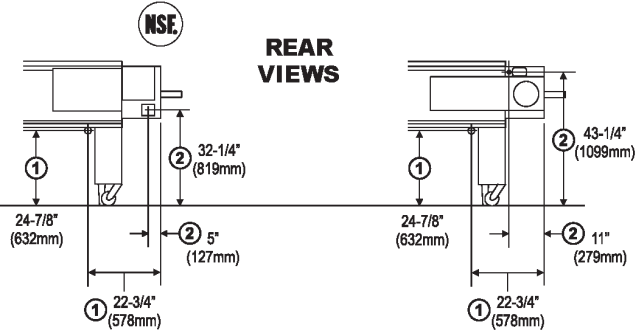
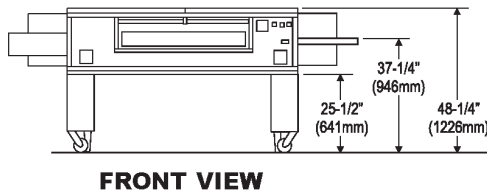


A MIDDLEBY COMPANY  
1400 Toastmaster Drive  
Elgin, Illinois 60120 USA  
(847) 741-3300 Fax: (847) 741-0015  
www.middleby.com

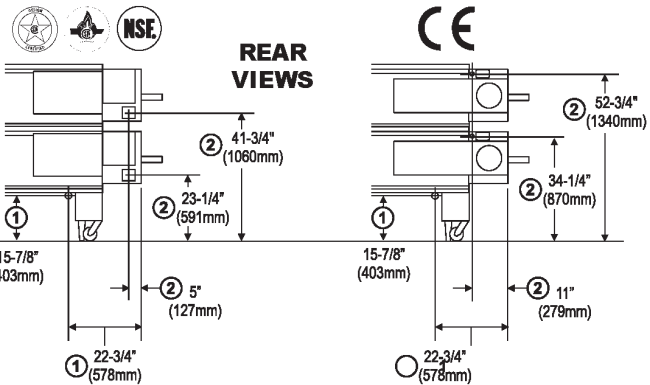
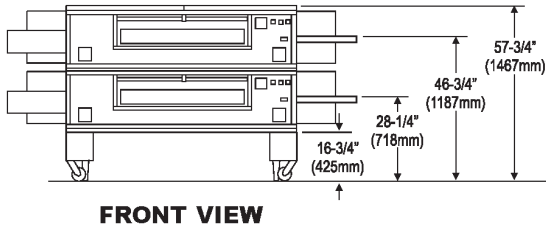


- ① Gas Utility Connection
- ② Electrical Utility Connection

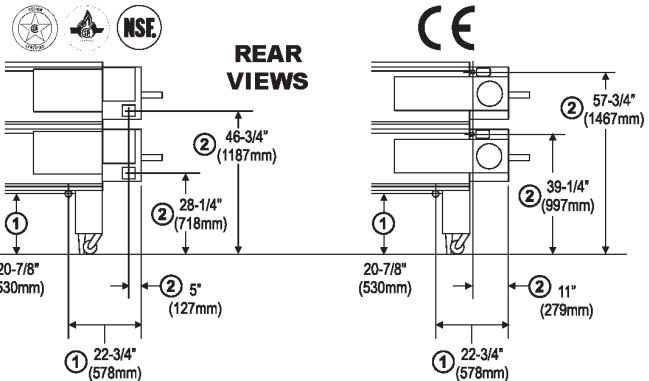
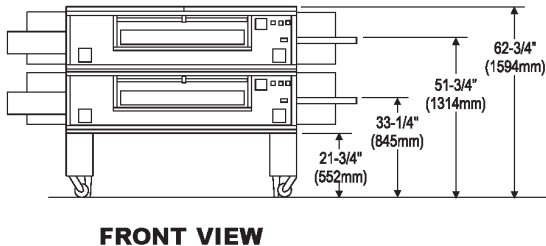
**PS570-1 Single Oven  
with 19" (483mm) leg extensions**



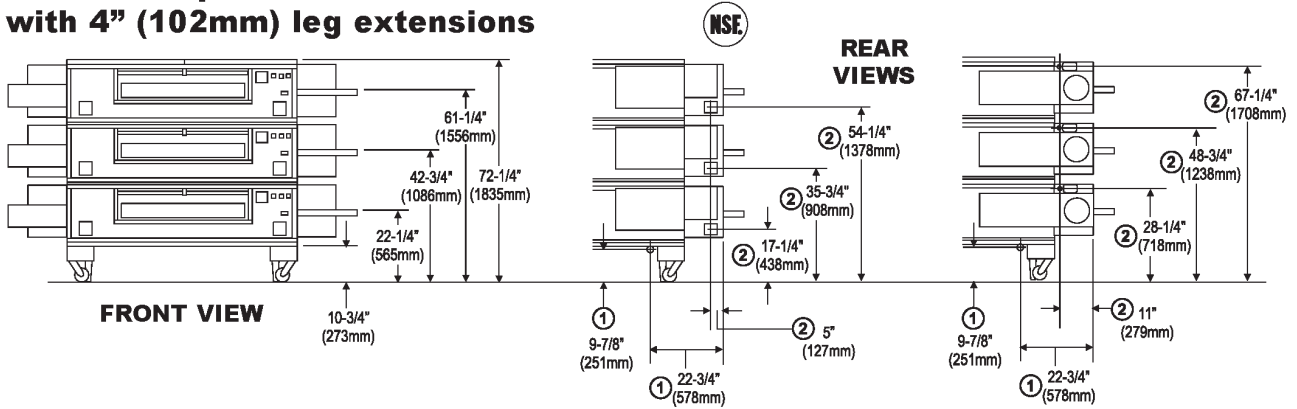
**PS570-2 Double Oven  
with 10" (254mm) leg extensions**



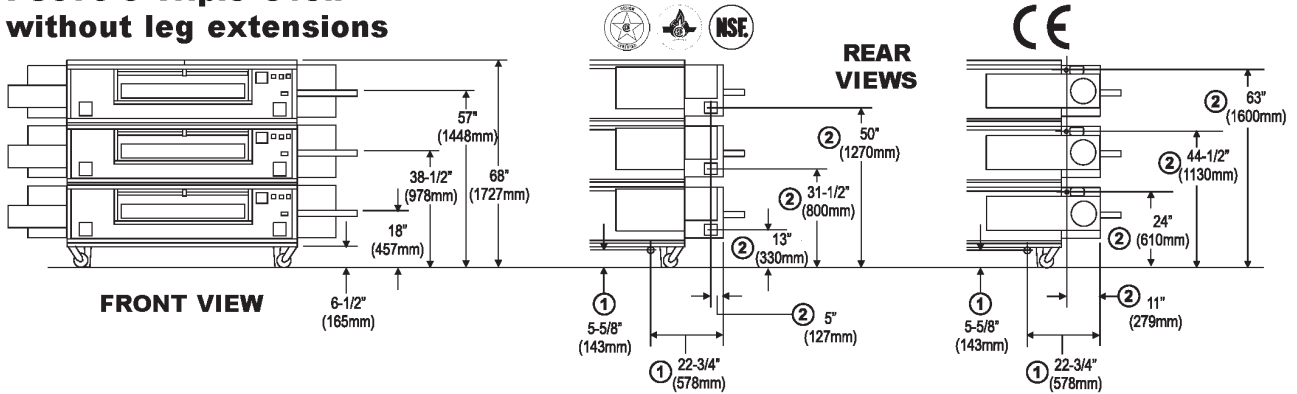
**PS570-2 Double Oven  
with 15" (381mm) leg extensions**



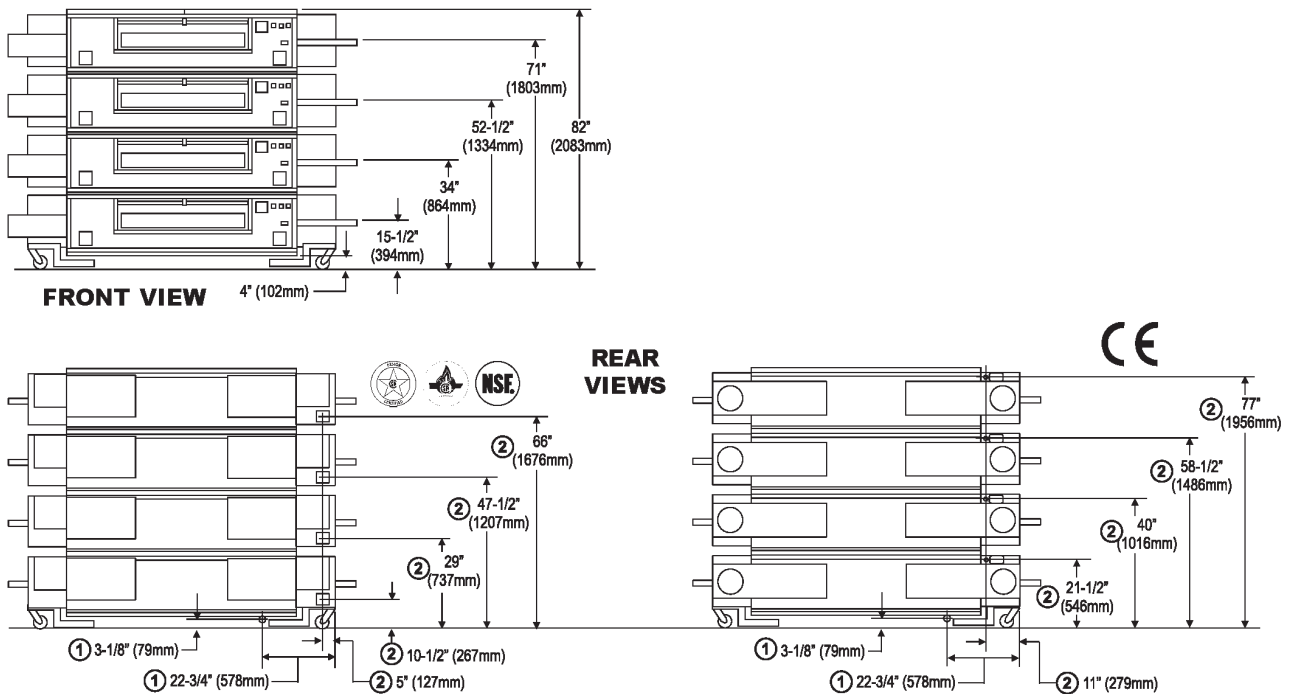
**PS570-3 Triple Oven  
with 4" (102mm) leg extensions**



**PS570-3 Triple Oven  
without leg extensions**





**PS570-4 Quad Oven  
with outriggers**




### RECOMMENDED MINIMUM CLEARANCES

Rear of oven to wall	Control end of oven to wall	Non-control end of oven to wall
0" (0mm)	0" (0mm)	0" (0mm)

### GENERAL INFORMATION

Model	Heating Zone	Baking Area	Belt Length	Belt Width	Depth 	Depth 	Height	Max. Operating Temp.	Bake Time Range	Ship Wt.	Ship Cube
PS570-1 with 19" (483mm) leg extensions	70" 1778mm	15.5 sq. ft. 1.44m <sup>2</sup>	106" 2692mm	32" 813mm	61-3/4" 1568mm	63-3/8" 1610mm	48-1/4" 1226mm	550°F 288°C	4- 29:50	1750 lbs. 795kg	160 ft. <sup>3</sup> 4.5m <sup>3</sup>
PS570-2 with 10" (254mm) leg extensions	140" 3556mm	31 sq. ft. 2.88m <sup>2</sup>	106" 2692mm	32" 813mm	61-3/4" 1568mm	63-3/8" 1610mm	57-3/4" 1467mm	550°F 288°C	4- 29:50	3500 lbs. 1589kg	320 ft. <sup>3</sup> 9.0m <sup>3</sup>
PS570-2 with 15" (381mm) leg extensions	140" 3556mm	31 sq. ft. 2.88m <sup>2</sup>	106" 2692mm	32" 813mm	61-3/4" 1568mm	63-3/8" 1610mm	62-3/4" 1594mm	550°F 288°C	4- 29:50	3500 lbs. 1589kg	320 ft. <sup>3</sup> 9.0m <sup>3</sup>
PS570-3 with 4" (102mm) leg extensions	210" 5334mm	46.5 sq. ft. 4.32m <sup>2</sup>	106" 2692mm	32" 813mm	61-3/4" 1568mm	63-3/8" 1610mm	72-1/4" 1835mm	550°F 288°C	4- 29:50	5250 lbs. 2384kg	480 ft. <sup>3</sup> 13.5m <sup>3</sup>
PS570-3 without leg extensions	210" 5334mm	46.5 sq. ft. 4.32m <sup>2</sup>	106" 2692mm	32" 813mm	61-3/4" 1568mm	63-3/8" 1610mm	68" 1727mm	550°F 288°C	4- 29:50	5250 lbs. 2384kg	480 ft. <sup>3</sup> 13.5m <sup>3</sup>
PS570-4 with outriggers	280" 7112mm	62 sq. ft. 5.76m <sup>2</sup>	106" 2692mm	32" 813mm	61-3/4" 1568mm	63-3/8" 1610mm	82" 2083mm	550°F 288°C	4- 29:50	7000 lbs. 3178kg	640 ft. <sup>3</sup> 18.0m <sup>3</sup>

### ELECTRICAL SPECIFICATIONS

Model	Version	Voltage	Phase/Freq.	Supply
PS570		208-240V	1/60 Hz	2 pole, 3 wire (2 hot, 1 gnd)
PS570		230V	1/50 Hz	2 pole, 3 wire (2 hot, 1 gnd)

### Max Current Draw at Startup

Amps
12A*
10A*

### Breakers

As per local codes
As per local codes

\* The current draw ratings shown above are the max required at startup.  
The average current draw during operation is significantly lower.

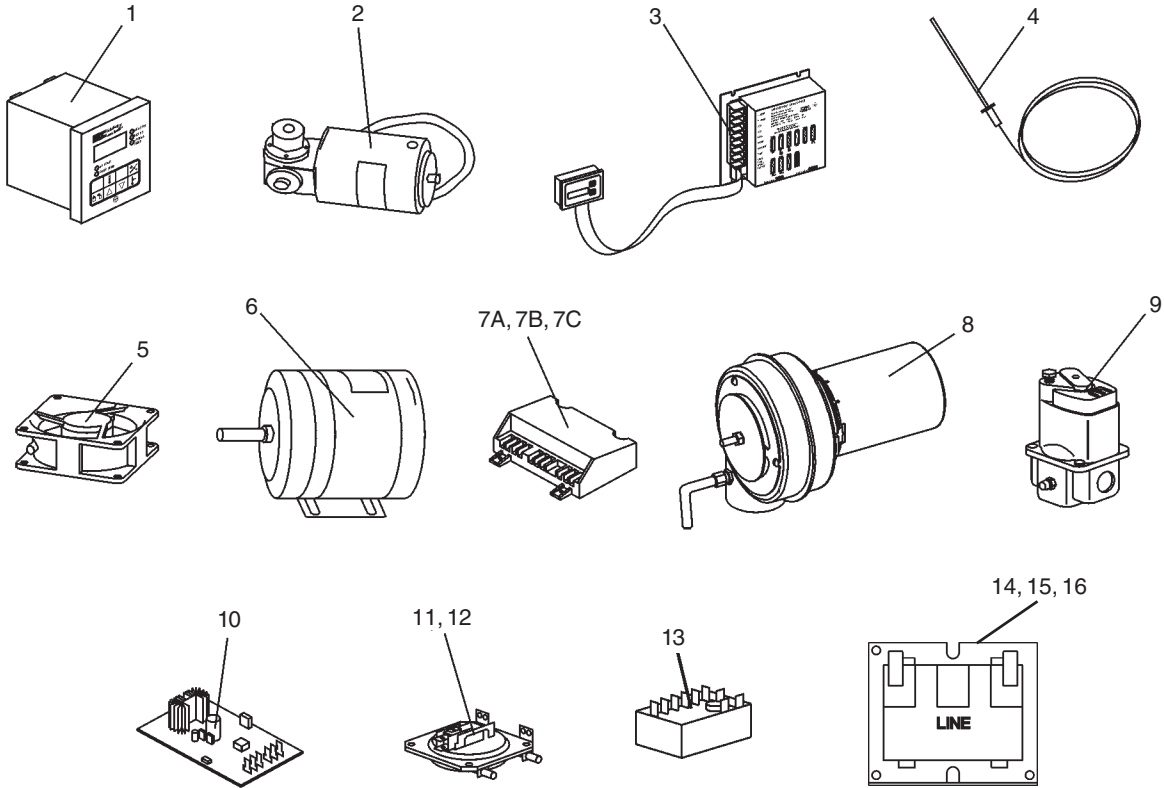
### GAS SUPPLY SPECIFICATIONS

	Min. Gas Pipe Size	Supply Gas Pressure	Rated Heat Input
Natural Gas	2" (50.8mm) main One 1-1/4" (12.7mm) NPT branch to lower oven cavity with individual full-flow shutoff valve	6-12" W.C. (14.9-29.9 mbar)	170,000 BTU (42,840 kcal, 50 kW/hr.) per oven cavity
Propane Gas	2" (50.8mm) main One 1-1/4" (12.7mm) NPT branch to lower oven cavity with individual full-flow shutoff valve	11-14" W.C. (27.4-34.9 mbar)	170,000 BTU (42,840 kcal, 50 kW/hr.) per oven cavity

\* The gas supply pressures shown are for ovens installed in North America. The required gas supply pressures of other locations are dependent on the local gas type and on all applicable local codes.

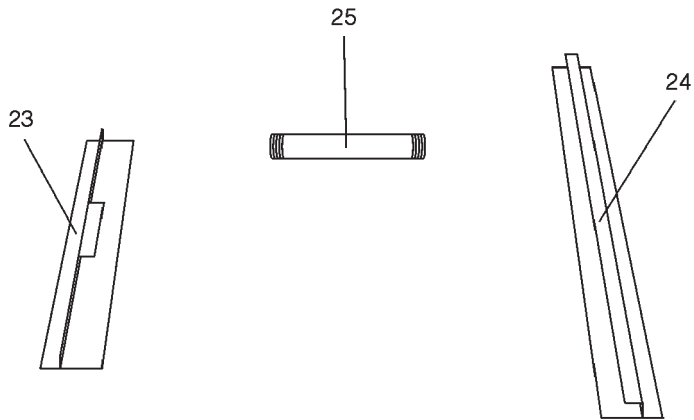
**ALL SPECIFICATIONS SUBJECT TO CHANGE WITHOUT NOTICE.**

# KEY PARTS

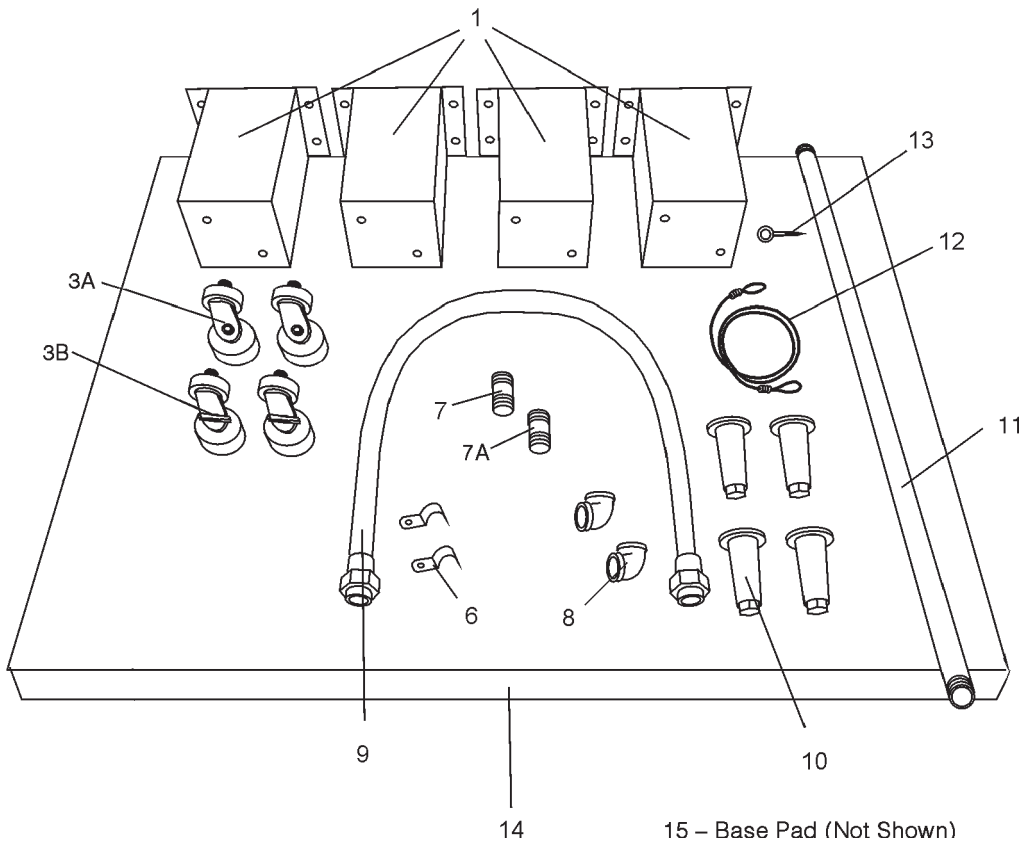


ITEM	PART NO.	DESCRIPTION	QUANTITY
1	47321	Kit, Digital Temperature Control (58504)	1
2	See Below 47796 51059	Motor, Drive 1400:1 (provided Standard) 600:1 (Hi-speed application)	1 or 2
3	58323	Kit, Conveyor Speed Controller with Digital Display	1 or 2
4	33984	Kit, Thermocouple (33812-1)	4
5	97525	Fan, Cooling	2
6	27381-0069	Motor, Blower, 1HP	2
7A	42810-0114	Ignition Module, US Version	1
7B	30872	Ignition Module, CE Version	1
7C	44676	Ignition Module, Australian Version	1
8	38811	Burner Blower/Motor Assembly	1
9	59450	Valve, Modulating Gas, 1/2" (41647)	1
10	31651	Amplifier, Modulating Valve	1
11	50610	Air Switch, Rear Blower(s)	2
12	57141	Air Switch, Front, Burner/Blower	1
13	33983	Hi Limit Control Module	1
14	31504	Transformer, 240/120V Conveyor System	1
15	41872	Transformer, 240/24V, 25VA	1
16	32108	Transformer, 240/24V, 65VA	1

## View of INSTALLATION KIT



## View of BASE PAD KIT





## Parts for INSTALLATION KIT

ITEM	QTY.-SGL. BELT	P/N	DESCRIPTION
23	1	55028	CONVEYOR REAR STOP, 18"
24	1	55027	CONVEYOR END STOP, 29-1/4"
25	1	33120-0054	GAS PIPE NIPPLE, 1-1/4" X 6"

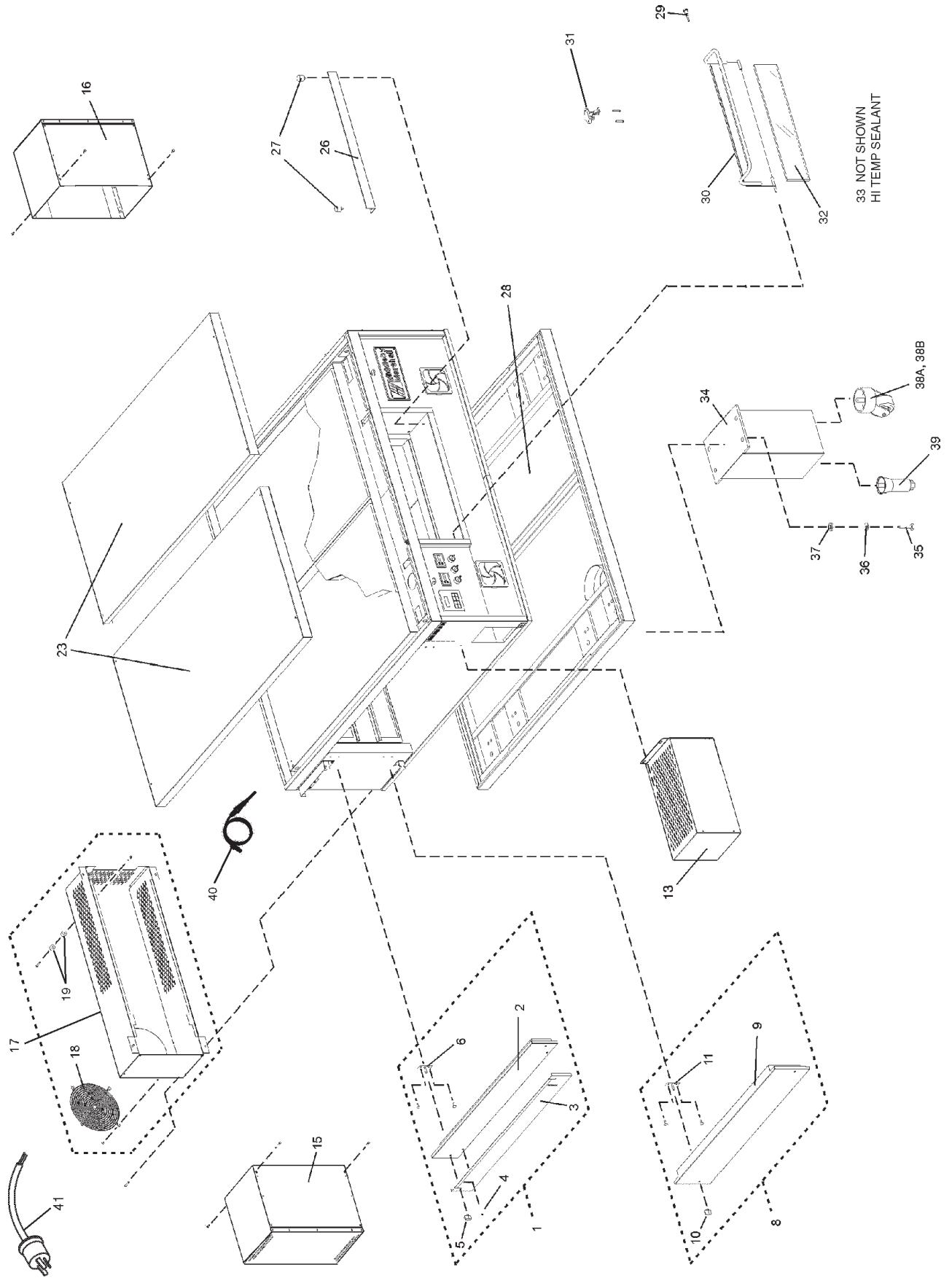
## Parts for BASE PAD KIT

ITEM	QTY. SGL. OVEN 19" LEGS	QTY. SGL/DBL. OVEN/W 10" LEGS	QTY. SGL/DBL. OVEN/W 15" LEGS	QTY. TRIPLE OVEN	P/N	DESCRIPTION
1A	4	—	—	—	37210-0060	LEG, 19" (483mm) (OPTIONAL)
1B	—	4	—	—	37210-0082	LEG, 10" (254mm), No Longer Available
1C	—	—	4	—	37210-0057	LEG, 15" (381mm)
1D	—	—	—	4	39684	LEG, 4" (102mm) (43158, set of 4)
3A	2	2	2	2	37115-0102	CASTER, SWIVEL WITH 3/4" STUD
3B	2	2	2	2	58930	CASTER, SWIVEL WITH BRAKE
6	2	2	2	2	27271-0004	PIPE CLAMP, 1-1/2"
7	2	2	2	2	33120-0055	NIPPLE, 1-1/4" DIA. X 3" L, NPT
7A	1	1	1	1	33120-0054	PIPE, 1-1/4" DIA. X 6" L
8	2	2	2	2	23122-0007	ELBOW, 90°, 1-1/4" DIA.
9	1	1	1	1	22361-0003	GAS HOSE, 1-1/4" DIA. x 72" L
10	4	4	4	4	22450-0028	LEG, 6" (152mm) ADJUSTABLE WITH 3/4" STUD
11	1	1	1	1	33120-0056	GAS PIPE, 1-1/4" DIA. x 54" L
12	1	1	1	1	22450-0253	RESTRAINT CABLE, 60" (1524mm)
13	1	1	1	1	37699	EYE BOLT, BASE PAD
14	2	2	2	2	35210-0656	TOP COVER (RIGHT OR LEFT)
15	1	1	1	1	37210-0055	BASE PAD

### NOT SHOWN:

—	8	8	8	8	59156	SCREW, TEKS HD #10-32 x 1-1/4"
—	2	2	2	2	21292-0001	SCREW, TEKS HWH #2PT #10-16 x 3/4"
—	16	16	16	—	21216-0018	BOLT, HEX CAP 1/2"-13 x 1-1/4"
—	16	16	16	—	21416-0003	FLAT WASHER, 1/2"
—	16	16	16	—	21426-0004	LOCK WASHER, 1/2"
—	1	1	1	1	21392-0005	EYE BOLT, WALL

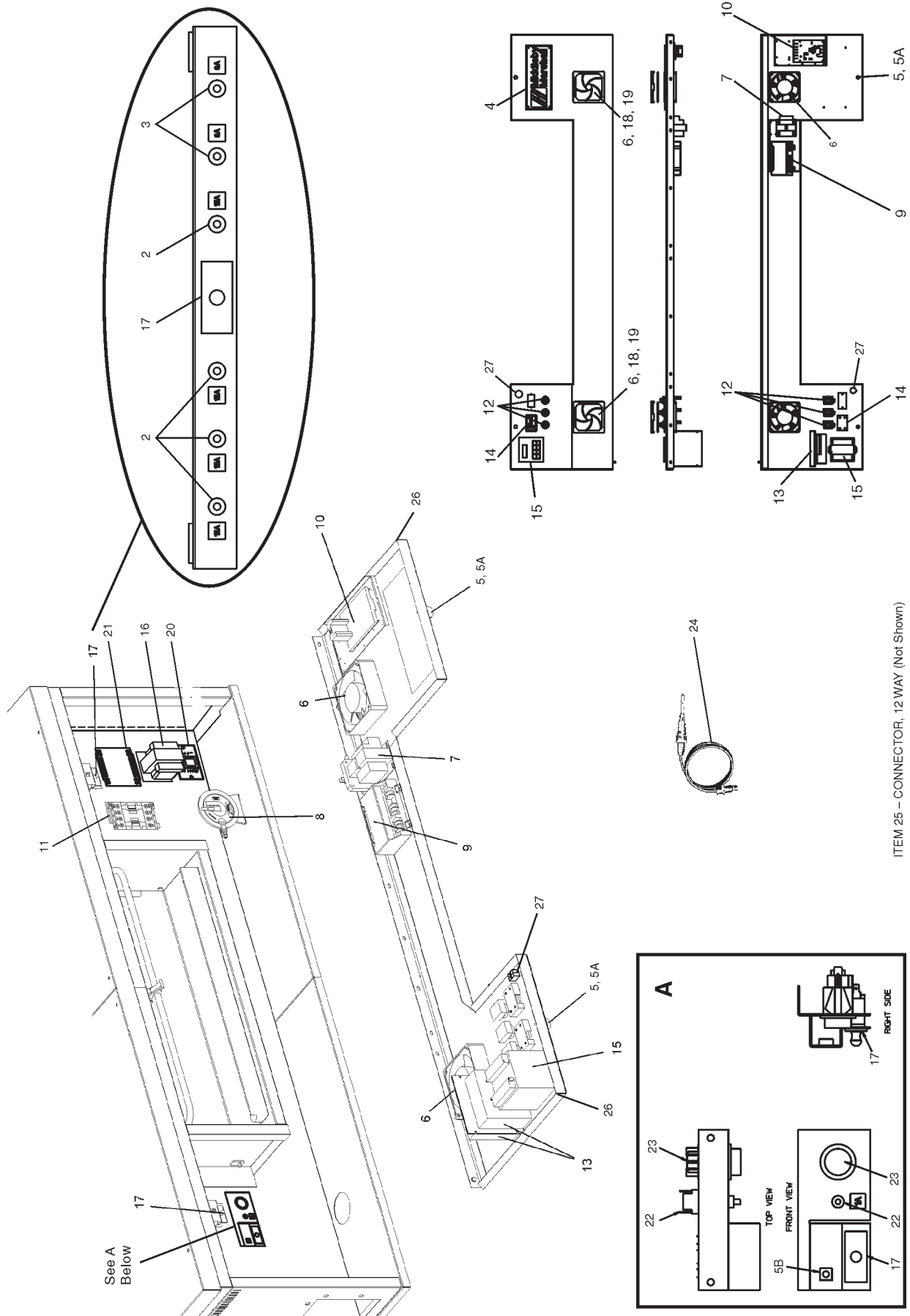
**View of PANELS, END PLUGS, WINDOW and LEGS**



## Parts for PANELS, END PLUGS, WINDOW and LEGS

ITEM QTY.	P/N	DESCRIPTION	ITEM QTY.	P/N	DESCRIPTION		
1	2	39539	ASSY, UPPER END PLUG (INC. ITEMS 2-6)	26	1	41768	WINDOW GUARD
2	2	41778	WELDMENT, UPPER END PLUG PS500	27	2	30927	BUMPER, WINDOW
3	1	50834	EYEBROW	28	1	37210-0055	BASE PAD
4	8	220295	SCREW, "AB" HEX WSHR HD #10 X 3/4"	29	1	34121-0003	SCREW, THUMB
5	4	36452	WING NUT, 1/4"-20 W/PLASTIC GRIP	30	1	45457	WINDOW ASSEMBLY WITH HATCH
6	4	41708	PLATE, END PLUG MOUNTING	31	1	45087	LATCH (INCLUDED IN ITEM 30)
8	2	39569	ASSY, LOWER END PLUG (INC. ITEMS 9-11)	32	1	44514	GLASS, WINDOW, PRE-CUT (INCLUDED IN ITEM 30), 3-1/2" x 32"
9	2	41779	WELDMENT, LOWER END PLUG PS500	33	1	17130-0006	SEALANT
10	4	36452	WING NUT, 1/4"-20 W/PLASTIC GRIP	34A	4	37210-0060	LEG, SINGLE OVEN, 19" (483mm)
11	4	41708	PLATE, END PLUG MOUNTING	34B	4	37210-0057	LEG, DOUBLE OVEN, 15" (381mm)
13	1	44494	ASSEMBLY, DRIVE MOTOR SHROUD	34C	4	37210-0082	LEG, DOUBLE OVEN, 10" (254mm), NO LONGER AVAILABLE
15	1	44482	ASSEMBLY, LEFT MOTOR SHROUD	34D	4	39684	LEG, 4" (43158, SET OF 4)
16	1	44483	ASSEMBLY, RIGHT MOTOR SHROUD	35	16	21216-0018	BOLT, HEX CAP 1/2"-13 X 1-1/4" - SINGLE & DOUBLE OVENS
17	2	41679	ASSEMBLY, REAR SHROUD (INC. ITEM 18 and 19)	36	16	21426-0004	LOCKWASHER, 1/2" - SGL & DBL OVENS
18	2	31765	GRILL, COOLING FAN	37	16	21416-0003	FLAT WASHER, 1/2" - SGL & DBL OVENS
19	2	48522	BUMPER	38A	2	37115-0102	CASTER, SWIVEL WITH 3/4" STUD - SINGLE, DOUBLE, & TRIPLE OVENS
23	2	35210-0656	TOP COVER	38B	2	58930	CASTER, SWIVEL WITH 3/4" STUD - SINGLE, DOUBLE, & TRIPLE OVENS WITH BRAKE
				39	4	22450-0028	LEG, 6" (152mm) ADJUSTABLE WITH 3/4" STUD - SINGLE, DOUBLE, & TRIPLE OVENS
				40	4	33984	KIT, THERMOCOUPLE, 6" (33812-1)
				41A	1	49975	CORD AND PLUG, L6-20P
				41B	1	49976	CE CORD

# View(s) of FRONT CONTROL AREA(s)

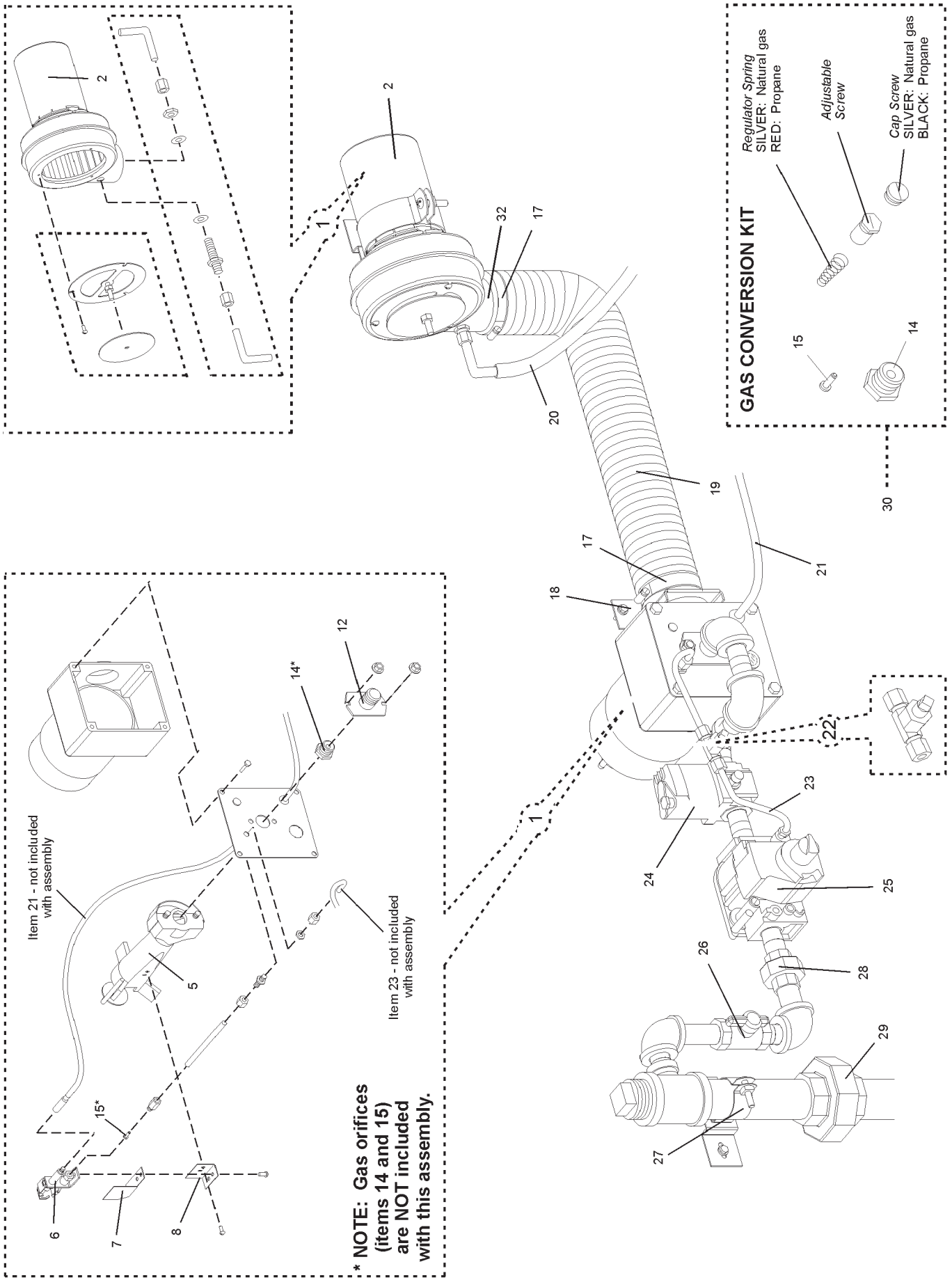


ITEM 25 - CONNECTOR, 12 WAY (Not Shown)

## Parts for FRONT CONTROL AREA(s)

ITEM QTY.	P/N	DESCRIPTION	ITEM QTY.	P/N	DESCRIPTION
2	45037	CIRCUIT BREAKER, 15 AMP	16	31504	TRANSFORMER, 230Vp:120Vs, 0.2 KVA, CONVEYOR
3	45036	CIRCUIT BREAKER, 3 AMP	17	28021-0047	SAFETY SWITCH, MACHINERY COMPARTMENT ACCESS PANEL, INTERLOCK
4	22500-0021	NAMEPLATE, "MIDDLEBY MARSHALL"	18	310-2458	GRILL, COOLING FAN, WITH FILTER
5	A6153	BOLT	19	310-2468	FILTER ONLY
5A	21182-0005	KEEPER	20	33983	HI-LIMIT CONTROL
5B	21182-0006	SELF RETAINING NUT	21	41872	TRANSFORMER, 240/24V, SIGNAL AMPLIFIER, 25VA
6	97525	COOLING FAN, BLOWS IN	22	45644	CIRCUIT BREAKER, 1 AMP
7	32108	TRANSFORMER, 240Vp:24Vs, 65VA	23	35145	RESET BUTTON WITH GREEN LIGHT
8	57141	AIR SWITCH; BURNER/BLOWER MOTOR, FRONT	24	33894	KIT, THERMOCOUPLE, 6" x 120" (33812-1)
9A	42810-0114	IGNITIONMODULE, US VERSION	25	32001	CONNECTOR, 12 WAY FOR P/N 30872
9B	30872	IGNITIONMODULE, CE VERSION			PACTROL IGNITION MODULE (CE ONLY)
9C	44676	IGNITIONMODULE, AUSTRALIAN VERSION	26	45020	CATCH, DOOR (CE ONLY)
10	31651	SIGNAL AMPLIFIER; BOARD	<b>CE ONLY</b>		
11	28041-0011	CONTACTOR, BLOWER MOTORS	27	28201-0016	LIGHTED RESTART SWITCH
12	46521	KIT, SELECTOR SWITCH; CONTACT BLOCK	27A	27073-0007	BULB, 220V
12A	44697	CONTACT BLOCK	27B	30204	PUSH BUTTON
12B	44696	SELECTOR SWITCH	27C	30205	ADAPTER
13	58323	KIT, CONVEYOR SPEED CONTROLLER WITH SELECTOR AND DIGITAL DISPLAY (INC. ITEM 14)	27D	30206	CONTACT BLOCK
14	37503	DIGITAL DISPLAY	27E	30207	SOCKET FOR BULB
15	47321	KIT, DIGITAL TEMPERATURE CONTROLLER (58504)			

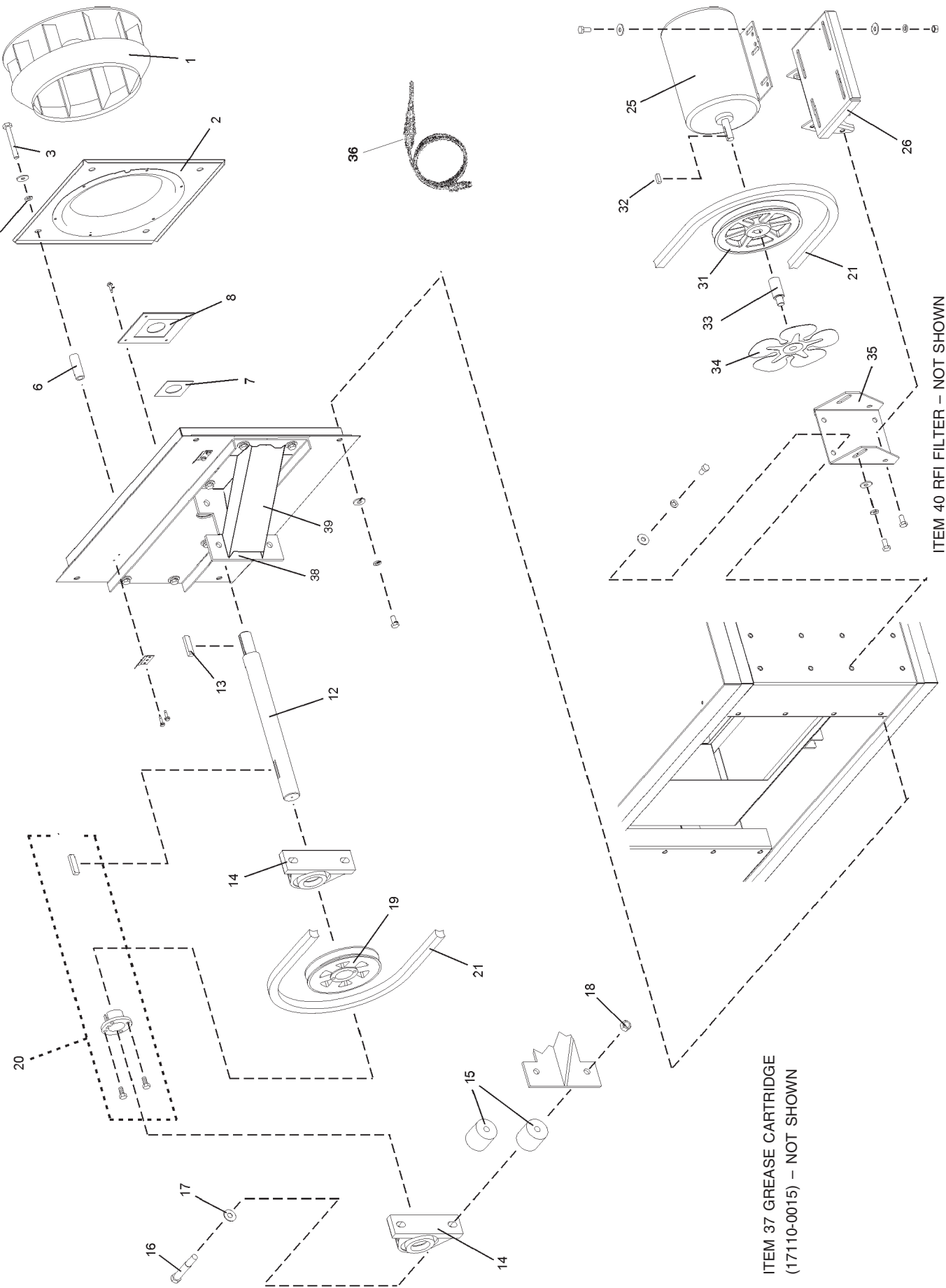
# View of GAS PIPING AND BURNER ASSEMBLY



## Parts for GAS PIPING AND BURNER ASSEMBLY

ITEM QTY.	P/N	DESCRIPTION	ITEM QTY.	P/N	DESCRIPTION
1	38126	ASSEMBLY, BURNER (INCLUDES ITEMS 1-12)	22	30185	KIT, PILOT TEE 1/4"/6.4mm
2	38811	ASSEMBLY, BURNER BLOWER AND MOTOR (INCLUDES ITEMS 2-4)	23	15125-0002	TUBING, ALUMINUM, 1/4"/6.4mm O.D.
5	38127	VENTURI	24	59450	VALVE, MODULATING GAS, 1/2" (41647)
6	27363-0002	PILOT IGNITOR WITH NATURAL GAS ORIFICE	25A	45688	COMBINATION GAS VALVE (SAFETY REGULATOR), 1/2", NATURAL GAS
7	27170-0204	PILOT SHIELD	25B	43085	COMBINATION GAS VALVE & GAS PRES-SURE SWITCH (CE ONLY), NATURAL GAS
8	27170-0264	BRACKET, PILOT MOUNTING	25C	28092-0018	KIT, COMBINATION VALVE, CONVERT NATURAL GAS TO LP, (INCLUDES CAP SCREW, O-RING, ADJUSTING SCREW AND LP SPRING)
12	38279	ORIFICE HOLDER/INLET CONNECTOR	26	23115-0009	VALVE, SHUTOFF 1/2"
14A	22176-0014	MAIN ORIFICE, NATURAL GAS, 0.250" (6.35mm)	27	42410-0016	BRACKET, PIPE MOUNTING 1-1/4"
14B	22176-0015	MAIN ORIFICE, PROPANE, 0.152" (3.86mm)	28	23051-0003	UNION, PIPE 1/2"
15A		USE ITEM 6 FOR NATURAL GAS	29	23051-0012	UNION, PIPE 1-1/4"
15B	22174-0010	PILOT ORIFICE, PROPANE, 0.018" (0.46mm)	30B	42810-0124	KIT, CONVERSION FROM NATURAL GAS TO PROPANE (INCLUDES ITEMS 14B, 15B AND 25C)
17	22450-0259	HOSE CLAMP	32	35210-0053	TUBE BLOWER EXTENSION (NOT SHOWN)
18	37210-0026	BRACKET, HOSE AND BURNER MOUNTING			
19	22450-0255	AIR DUCT, FLEXIBLE			
20	22450-0297	TUBING, SILICONE RUBBER, 1/4"/6.4mm DIA.			
21	27159-0019	IGNITION/SENSOR WIRE			

**View(s) of REAR BLOWER/MOTOR ASSEMBLY (CONVEYOR DRIVE END SHOWN)**



ITEM 37 GREASE CARTRIDGE  
(17110-0015) – NOT SHOWN

ITEM 40 RFI FILTER – NOT SHOWN

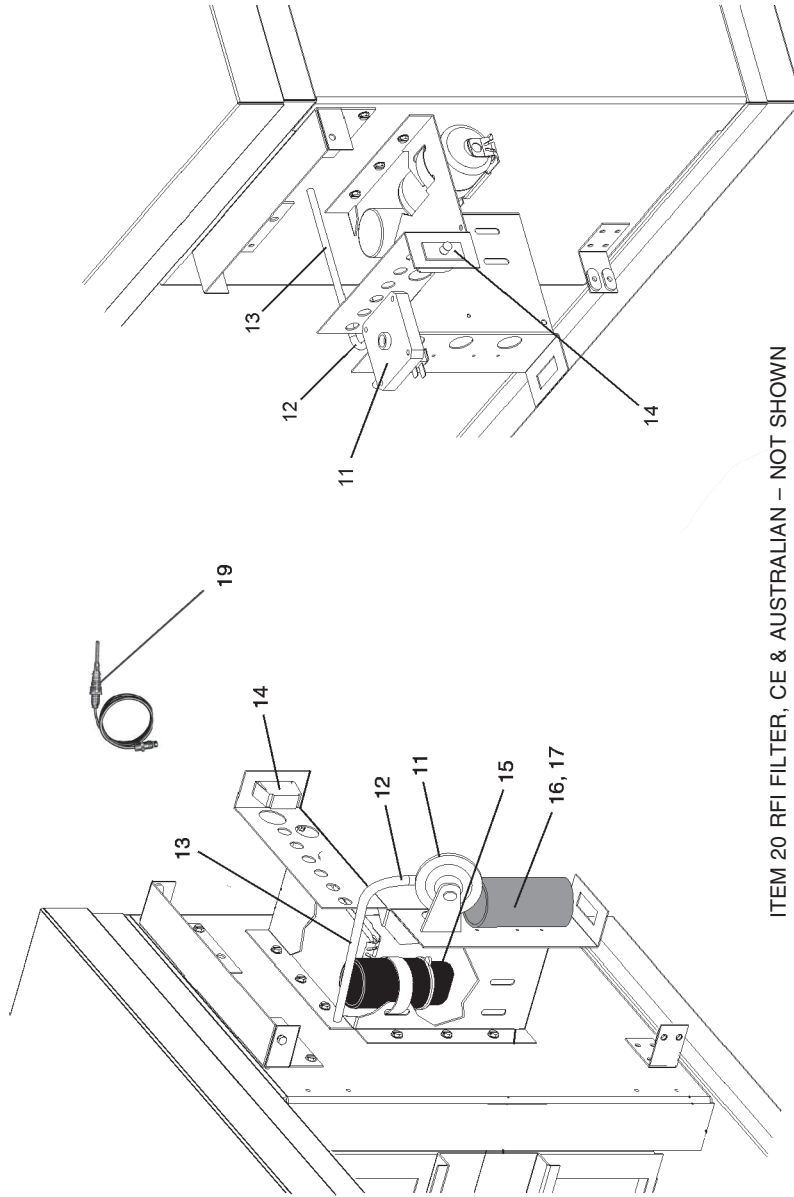


## Parts for EACH REAR BLOWER/MOTOR ASSEMBLY

ITEM QTY.	P/N	DESCRIPTION	ITEM QTY.	P/N	DESCRIPTION
1A 1	22521-0005	BLOWER WHEEL-CCW – DRIVE END	21 1	46452	BELT, STANDARD (SEE BELOW)
1B 1	22521-0006	BLOWER WHEEL-CW, IDLER END	25 1	27381-0069	MOTOR, BLOWER 1HP
2 1	37210-0124	PLATE, INLET RING	26 1	41666	BRACKET, MOTOR MOUNTING
3 4	21211-0001	SCREW, CAP HEX HD 3/8"-16 x 3"	31 1	47267	PULLEY, (BK65) STANDARD, MOTOR (SEE BELOW)
5 10	21422-0001	LOCKWASHER, SPLIT 3/8"	32 1	220026	KEY, PULLEY, 3/16" x 3/16" x 3/4" (5 x 5 x 19mm), MOTOR
6 4	35210-0576	SPACER	33 1	43024	EXTENDER, FAN
7 1	35210-0541	SHAFT SEAL, PTFE	34A 1	27399-0008	FAN BLADE, CW, IDLER END
8 1	37210-0101	PLATE, SHAFT SEAL INNER	34B 1	27399-0009	FAN BLADE, CCW, CONVEYOR, DRIVE END
12 1	41899	SHAFT BLOWER	35 1	41667	BRACKET, MOTOR SUPPORT
13 1	35210-0286	KEY, BLOWER WHEEL	36 4	33984	KIT, THERMOCOUPLE, 6" (SOME MODELS HAVE A QTY OF 4) (33812-1)
14 2	57321	BEARING (22072-0017)	37 A/R	17110-0015	GREASE CARTRIDGE (FOR 22072-0017 BEARING)
15 4	39411	SPACER, BEARING	38 1	41575	MOUNTING BRACKET
16 4	2000535	SCREW, CAP HEX HD	39 1	44550	SUPPORT BRACKET
17 4	A6235	FLATWASHER, 7/16"	40 1	33813	RFI FILTER (CE & AUSTRALIAN ONLY)
17A 4	21422-0016	LOCKWASHER			
18 4	21121-0013	HEX NUT, 1/2"-13			
19 1	39587	PULLEY, BLOWER, STANDARD, 6-1/2"			
20 1	22031-0018	BUSHING, 2-1/2" DIAMETER			

RPM KIT P/N	HERTZ	MOTOR PULLEY W/SPLIT BUSHING	MTR PULLEY P/N SPLIT BUSH P/N	DIAMETER	BELT SIZE DESCRIPTION	BELT P/N	RPM OF FAN
47214 No Longer in Production	60	BK70	44977	6-3/4"	BX67	46452	1780
47215	60	BK80	39586	7-3/4"	BX68	46453	2057
47215	50	BK80	39586	7-3/4"	BX68	46453	1733
47216 Hi-Altitude	60	BK90H W/BUSHING	46455 50222	8-3/4"	BX70	46454	2300
47216 Hi-Altitude	50	BK90H W/BUSHING	46455 50222	8-3/4"	BX70	46454	1917
47268 Standard	60	BK65	47267	6-1/4"	BX67	46452	1692

# View of REAR CAPACITOR AREA

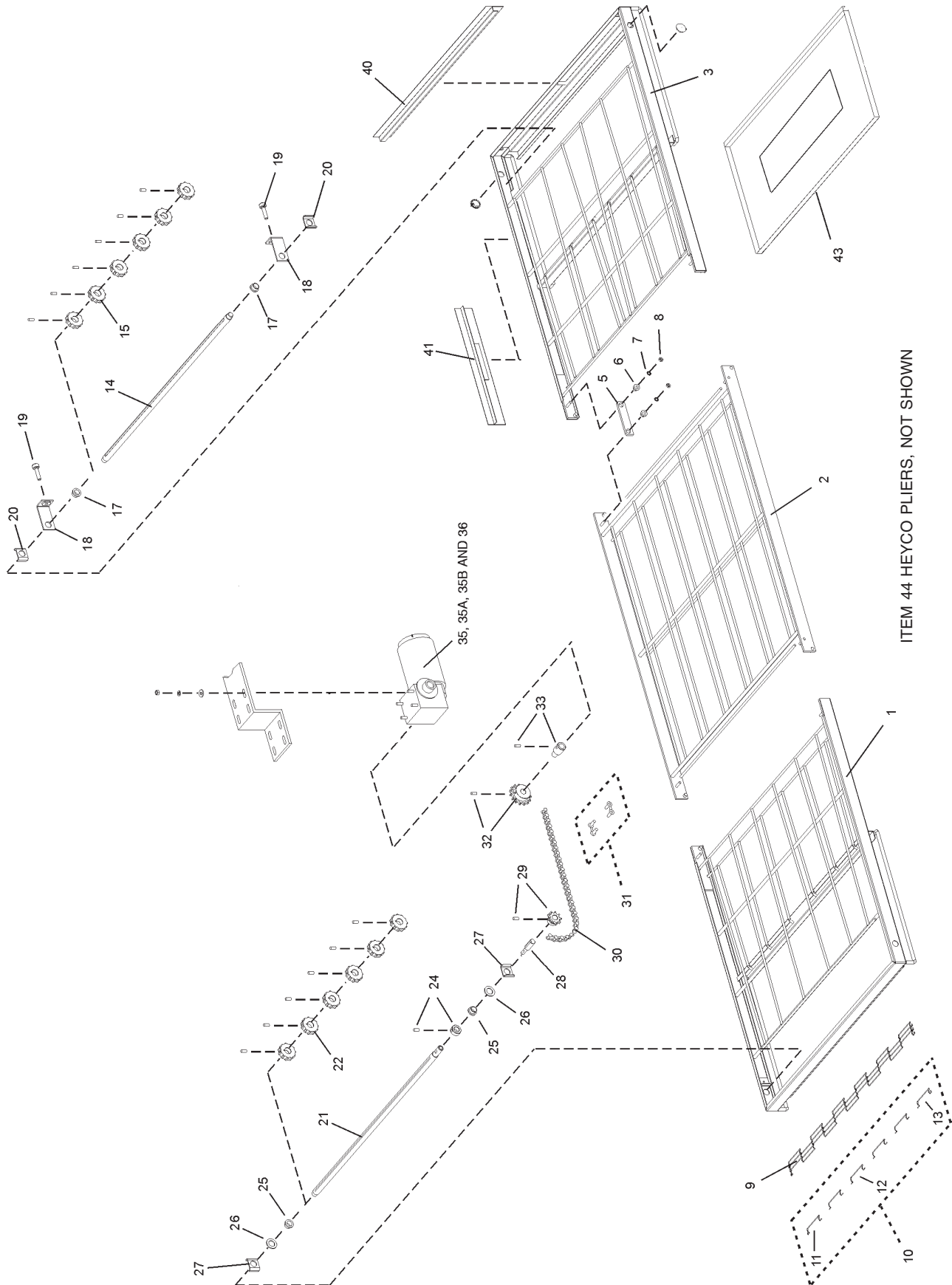


ITEM 20 RFI FILTER, CE & AUSTRALIAN – NOT SHOWN

## Parts for REAR CAPACITOR AREA

ITEM	QTY.	P/N	DESCRIPTION
11	2	50610	AIR SWITCH
12	A/R	22450-0297	TUBING, SILICONE BULK 1/4"/6.4mm O.D.
13	2	15125-0002	TUBING, ALUMINUM BULK 1/4"/6.4mm O.D.
14	2	28021-0061	SAFETY SWITCH, BLOWER MOTOR SHROUD, MOMENTARY
15	2	27170-0269	ASSEMBLY START CAPACITOR (BLACK)
15A	1	44469	BRACKET & END CAP, START CAPACITOR
16	2	27170-0270	CAPACITOR, RUN (SILVER)
17	2	44465	INSULATOR CAP, RUN CAPACITOR
18	4	22450-0259	HOSE CLAMP
19	3	33984	KIT, THERMOCOUPLE, 6' x 120" (33812-1) <i>(SOME MODELS HAVE A QTY OF 4)</i>
20	1	33813	RFI FILTER <i>(CE &amp; AUSTRALIAN ONLY)</i>

# View of "SINGLE" BELT CONVEYOR



ITEM 44 HEYCO PLIERS, NOT SHOWN

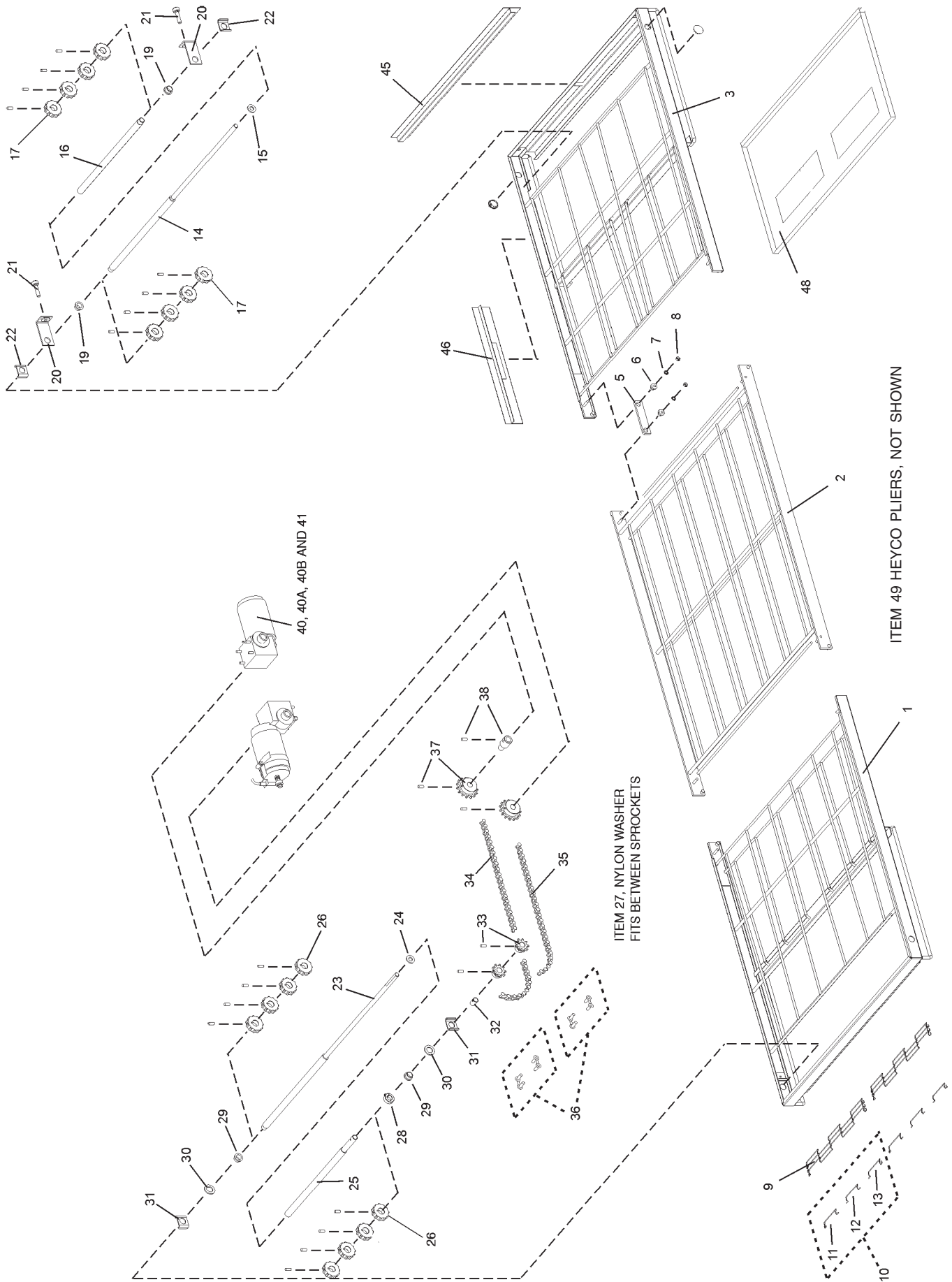
## Parts for "SINGLE" BELT CONVEYOR

ITEM	QTY	PART NO.	DESCRIPTION
1	1	37210-0117	WELDMENT, CONVEYOR DRIVE FRAME
2	4	37210-0046	WELDMENT, CONVEYOR CENTER FRAME
3	1	37210-0116	WELDMENT, CONVEYOR IDLER FRAME
5	4	35210-0429	PIVOT PLATE
6	8	35210-0491	BUSHING, CONVEYOR ADJUSTMENT
7	8	F716A8805	WASHER, EXTERNAL TOOTH 1/4"
8	8	21176-0001	LOCK NUT, HEX 1/4"-20
9A	1	22450-0265	CONVEYOR BELT, COMPLETE, 32"W x 206"L (0.81 x 5.23m)
9B	--	33900-0032	CONVEYOR BELT, 32"W x 12"L (0.81 x 0.30m)
10	1	42400-0089	MASTERLINKS KIT, 32" (0.81m) BELT (INC. ITEMS 11-13)
11	1	--	MASTERLINK, LEFT
12	4	--	MASTERLINK, CENTER
13	1	--	MASTERLINK, RIGHT
14	1	35000-1011	SHAFT, IDLER
15	6	22229-0003	SPROCKET, CONVEYOR BELT
17	2	22034-0003	BUSHING, BRONZE 3/4" O.D. x 5/8" I.D.
18	2	37000-0413	BRACKET, IDLER SHAFT ADJUSTMENT
19	2	35000-1008	SCREW, CONVEYOR TENSION ADJUSTMENT
20	2	54947	BRACKET, SHAFT SUPPORT
21	1	35000-1012	SHAFT, DRIVE
22	6	22229-0003	SPROCKET, CONVEYOR BELT
24	1	22011-0013	COLLAR, SHAFT, WITH SET SCREW

ITEM	QTY	PART NO.	DESCRIPTION
25	2	22034-0003	BUSHING, BRONZE 3/4" O.D. x 5/8" I.D.
26	2	35000-1080	SPACER, NYLON 1-1/4" O.D. x 3/4" I.D.
27	2	54947	BRACKET, SHAFT SUPPORT
28	1	35000-1013	ADAPTER, DRIVE SHAFT
29	1	22152-0017	SPROCKET, DRIVE SHAFT, 5/8" BORE, 9T, WITH SET SCREW
30	1	42400-0164	ASSEMBLY, ROLLER CHAIN (62 LINKS) WITH MASTERLINK (STANDARD SPEED)
31	1	22273-0001	MASTERLINK, ROLLER CHAIN
32A	1	22152-0018	SPROCKET, DRIVE MOTOR, 5/8" BORE, 15T, WITH SET SCREW (STANDARD SPEED)
32B	1	57319	SPROCKET, DRIVE MOTOR, 5/8", BORE, 20T (HIGH SPEED)
33	1	35210-0640	ADAPTER, DRIVE MOTOR WITH SET SCREW
35	1	47796	DRIVE MOTOR, 1/8 HP, 1400:1 (STANDARD)
35A	1	51059	DRIVE MOTOR, 1/8 HP, 600:1 (HIGH SPEED)
35B	1	SEE BELOW	BRUSHES, DRIVE MOTOR,
36	1	SEE BELOW	ASSEMBLY, PICKUP, DRIVE MOTOR
40	1	55027	END STOP, CONVEYOR, 29-1/4" LONG
41	1	55028	REAR STOP, CONVEYOR, 18" LONG
43	2	30004	CRUMB PAN, ALUMINIZED (WITH OPENINGS)
44	1	50795	TOOL, HEYCO PLIERS

CONVEYOR DRIVE MOTOR	MOTOR RATIO	ITEM 35B BRUSHES	ITEM 36 PICKUP SENSOR
CURRENT 47796	1400:1	45017	50265
46444	1400:1	46658	46451
46603	1400:1	46658	46451
27384-0008	1400:1	22450-0052	46451
CURRENT 51059	600:1	45017	50265
46446	600:1	46658	46451
46605	600:1	46658	46451
27384-0003	600:1	22450-0052	46451

# View of "50-50" Split Belt Conveyor



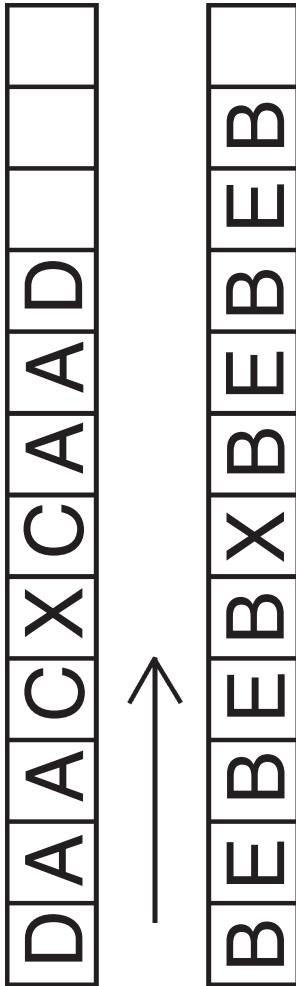
## Parts for "50-50" Split Belt Conveyor

ITEM QTY	PART NO.	DESCRIPTION
1	37210-0117	WELDMENT, CONVEYOR DRIVE FRAME
2	37210-0046	WELDMENT, CONVEYOR CENTER FRAME
3	37210-0116	WELDMENT, CONVEYOR IDLER FRAME
5	35210-0429	PIVOT PLATE
6	35210-0491	BUSHING, CONVEYOR ADJUSTMENT
7	F716A8805	WASHER, EXTERNAL TOOTH 1/4"
8	21176-0001	LOCK NUT, HEX 1/4"-20
9A	22450-0271	CONVEYOR BELT, COMPLETE, 15"W x 206"L (0.38 x 5.23m)
9B	33900-0037	CONVEYOR BELT, 15"W x 12"L (0.38 x 0.30m)
10	51382	MASTERLINKS KIT, 15" (0.81m) BELT (INC. ITEMS 11-13)
11	--	MASTERLINK, LEFT
12	--	MASTERLINK, CENTER
13	--	MASTERLINK, RIGHT
14	42400-0354	SHAFT, IDLER, REAR, 32-3/4"
15	21415-0001	FLAT WASHER, BRONZE, 1" O.D. X 1/2" I.D.
16	35000-1535	SHAFT, IDLER, FRONT, 16-3/8"
17	22229-0003	SPROCKET, CONVEYOR BELT
19	22034-0003	BUSHING, BRONZE 3/4" O.D. x 5/8" I.D.
20	37000-0413	BRACKET, IDLER SHAFT ADJUSTMENT
21	35000-1008	SCREW, CONVEYOR TENSION ADJUSTMENT
22	54947	BRACKET, SHAFT SUPPORT
23	42400-0355	SHAFT, DRIVE, REAR, 35-1/3"
24	21415-0001	FLAT WASHER, BRONZE, 1" O.D. X 1/2" I.D.
25	35000-1536	SHAFT, DRIVE, FRONT, 17-3/4"
26	22229-0003	SPROCKET, CONVEYOR BELT
27	35000-1531	SPACER, NYLON FITS BETWEEN SPROCKETS
28	22011-0014	COLLAR, SPLIT LOCKING
29	22034-0003	BUSHING, BRONZE 3/4" O.D. x 5/8" I.D.
30	35000-1080	SPACER, NYLON 1-1/4" O.D. x 3/4" I.D.

ITEM QTY	PART NO.	DESCRIPTION
31	54947	BRACKET, SHAFT SUPPORT
32	35900-0023	BUSHING, SPLIT BELT DRIVE SPROCKET
33	22152-0017	SPROCKET, DRIVE SHAFT, 5/8" BORE, 9T, WITH SET SCREW
34	42400-0164	ASSEMBLY, ROLLER CHAIN COMPLETE (62 LINKS) (STANDARD SPEED)
35	42410-0128	ASSEMBLY, ROLLER CHAIN COMPLETE (48 LINKS) (STANDARD SPEED)
36	22273-0001	MASTERLINK, ROLLER CHAIN
37A	22152-0018	SPROCKET, DRIVE MOTOR, 5/8" BORE, 15T, WITH SET SCREW
37B	57319	SPROCKET, DRIVE MOTOR, 5/8" BORE, 20T (HIGH SPEED)
38	35210-0640	ADAPTER, DRIVE MOTOR WITH SET SCREW
40	47796	DRIVE MOTOR, 1/8 HP, 1400:1 (STANDARD)
40A	51059	DRIVE MOTOR, 1/8 HP, 600:1 (HIGH SPEED)
40B	SEE BELOW	BRUSHES, DRIVE MOTOR,
41	SEE BELOW	ASSEMBLY, PICKUP, DRIVE MOTOR
45	55027	END STOP, CONVEYOR, 29-1/4" LONG
46	55028	REAR STOP, CONVEYOR, 18" LONG
48A	30004	CRUMB PAN, ALUMINIZED (WITH OPENINGS)
49	50795	TOOL, HEYCO PLIERS

CONVEYOR DRIVE MOTOR	MOTOR RATIO	ITEM 40B BRUSHES	ITEM 41 PICKUP SENSOR
CURRENT 47796	1400:1	45017	50265
46444	1400:1	46658	46451
46603	1400:1	46658	46451
27384-0008	1400:1	22450-0052	46451
CURRENT 51059	600:1	45017	50265
46446	600:1	46658	46451
46605	600:1	46658	46451
27384-0003	600:1	22450-0052	46451

# Standard Finger Configuration and Parts



- A** = 39224 WLDMT, PLT OTR SL3 W/RASD MANF  
37000-0577 WLDMT, PLATE, INNER COL W/DAM  
42410-0202 ASSY, RAISED MANF W/SLD BAFFEL
- B** = 37900-0051 PLATE, OUTER S/L6  
37000-0577 WLDMT, PLATE, INNER COL W/DAM  
42410-0194 ASSY, MANIFOLD W/FULL BAFFEL ALUZ
- C** = 35210-0536 PLATE, FULL BLANK ALUZ
- D** = 35210-0535 PLATE, BLANK PRTL 2.75 UPR 570
- E** = 35210-0590 PLATE, BLANK PARTIAL ALUZ LWR570
- F** =
- G** =

**Notes**

RT TO LT MIRROR IMAGE OF FINGER ARRANGEMENT  
 MOTOR PULLEY: BK65 P/N 47267  
 BELT SIZE: BX67 P/N 46452  
 RPM= 1692

**Description**

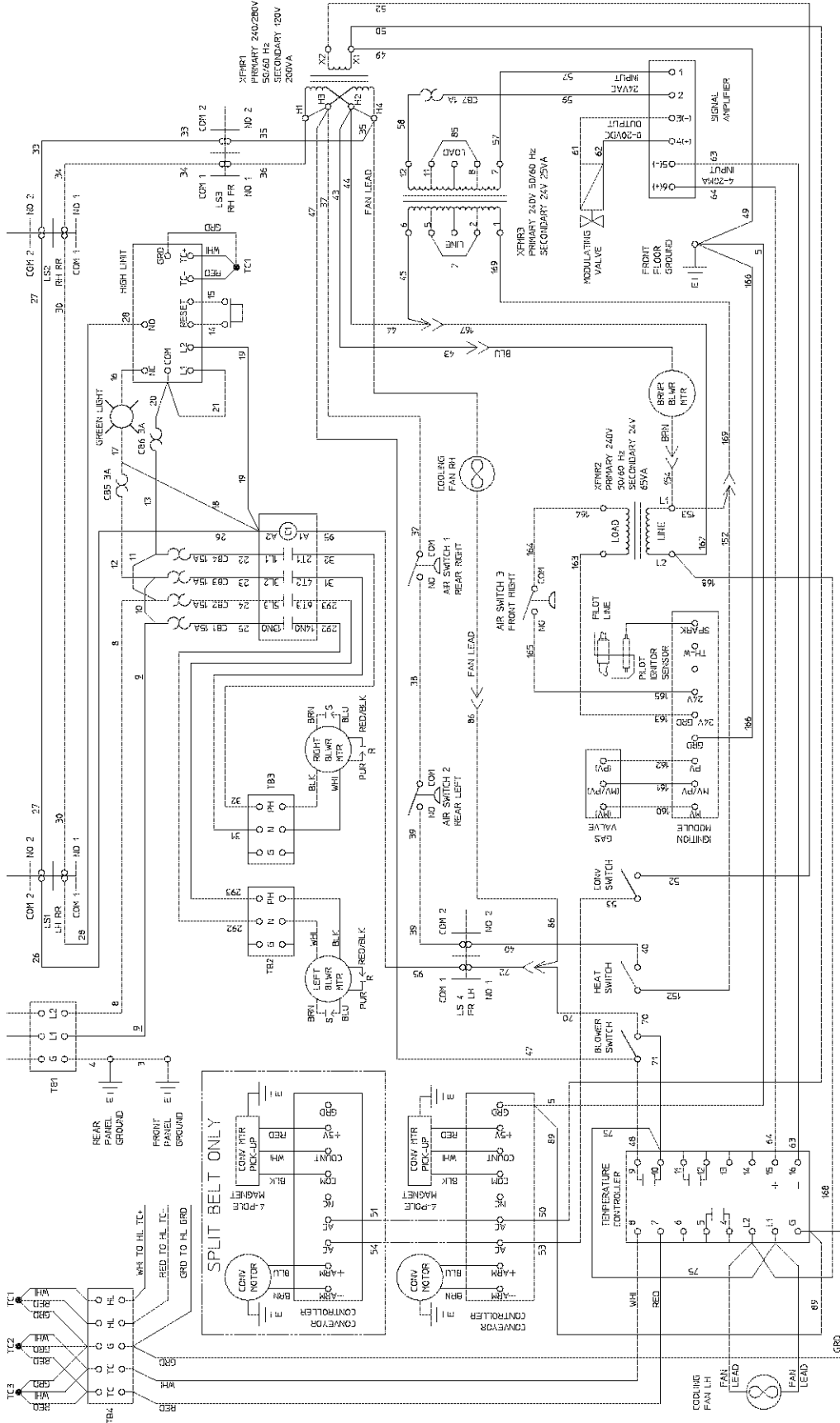
**CONFIG, FINGER PS570S STD**

<b>P/N</b>	<b>Rev.</b>
<b>31257</b>	<b>K</b>



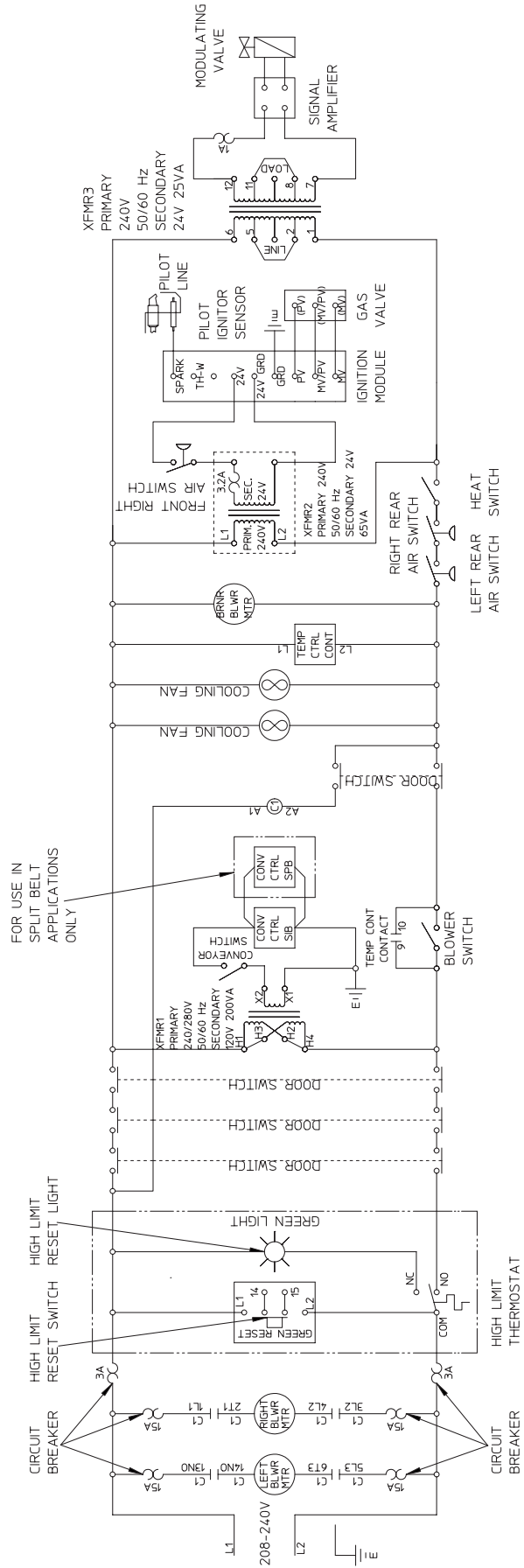


# Wiring Diagrams (electrical schematics)

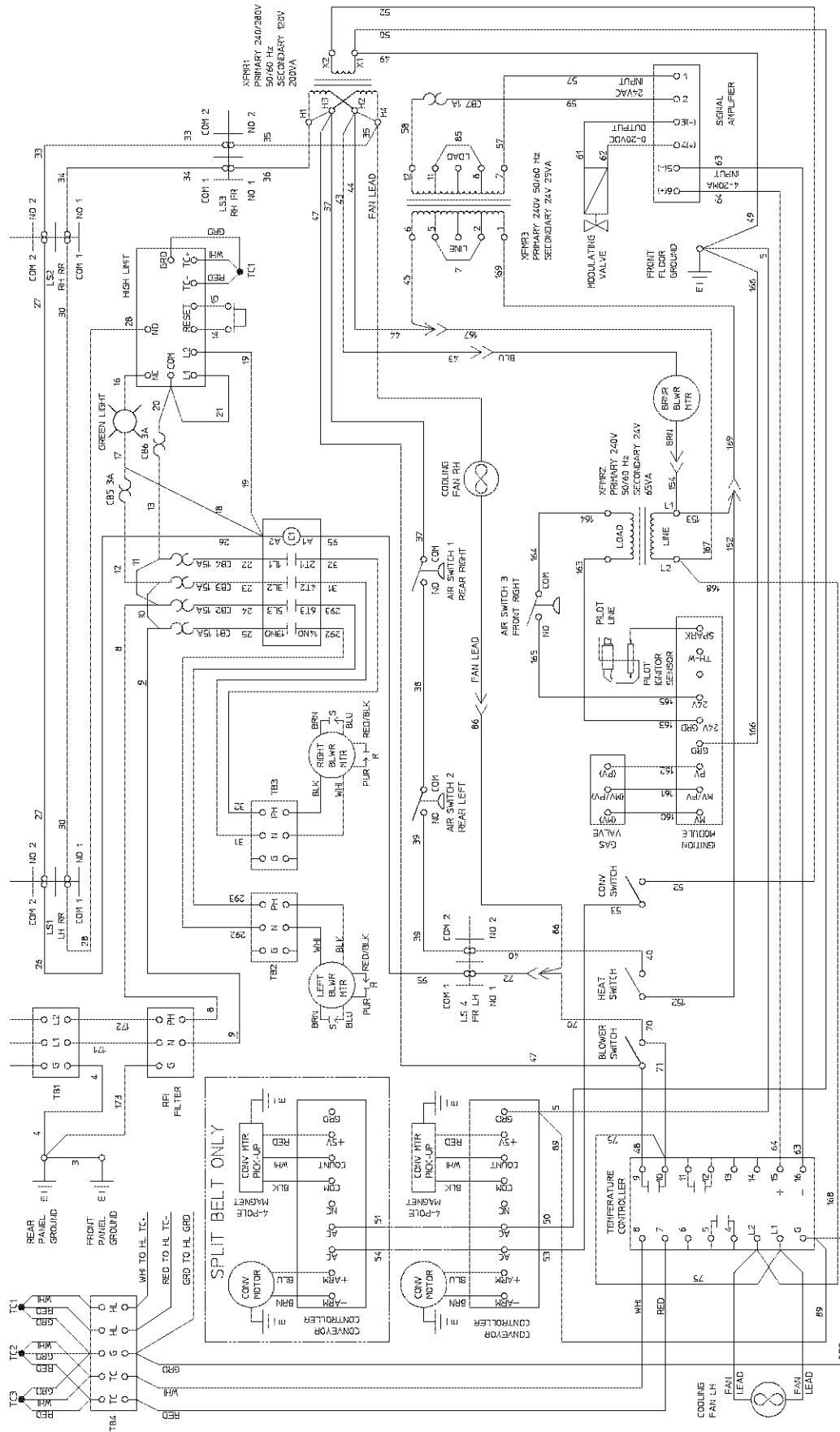


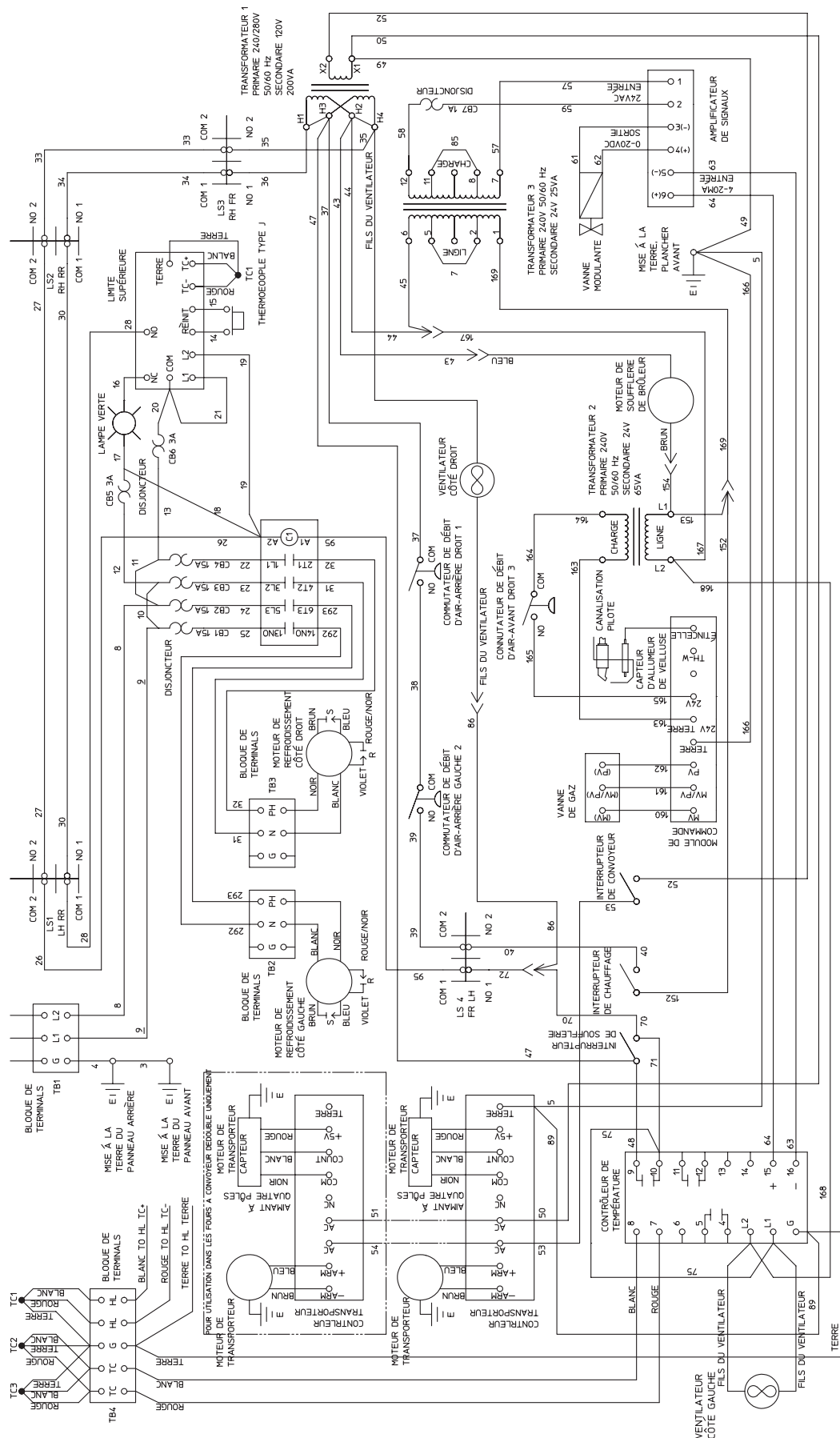
45520E2

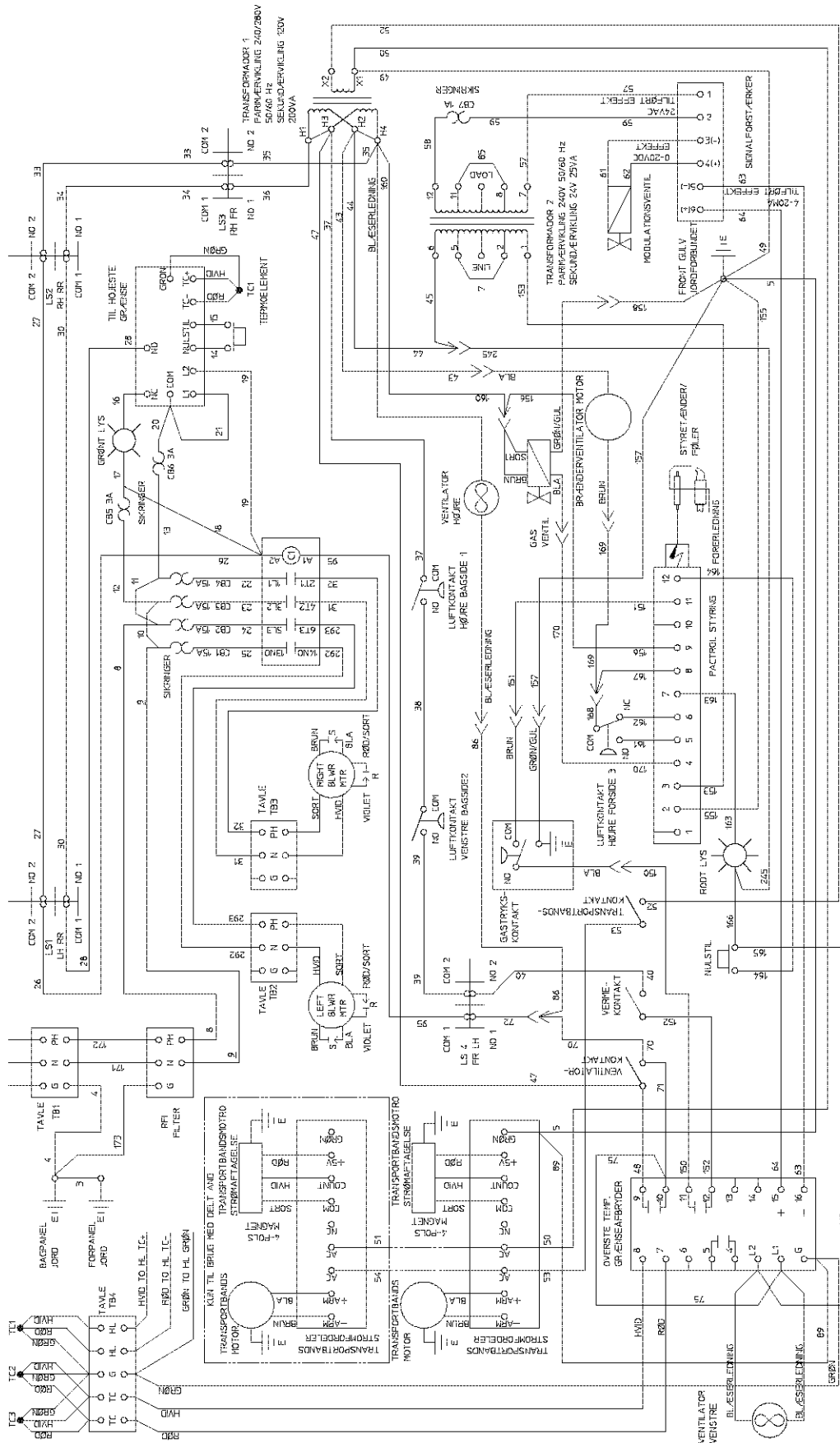
MIDDLEBY MARSHALL PS570G WIRING DIAGRAM G208-240 volt 50/60 Hz, 1 Phase

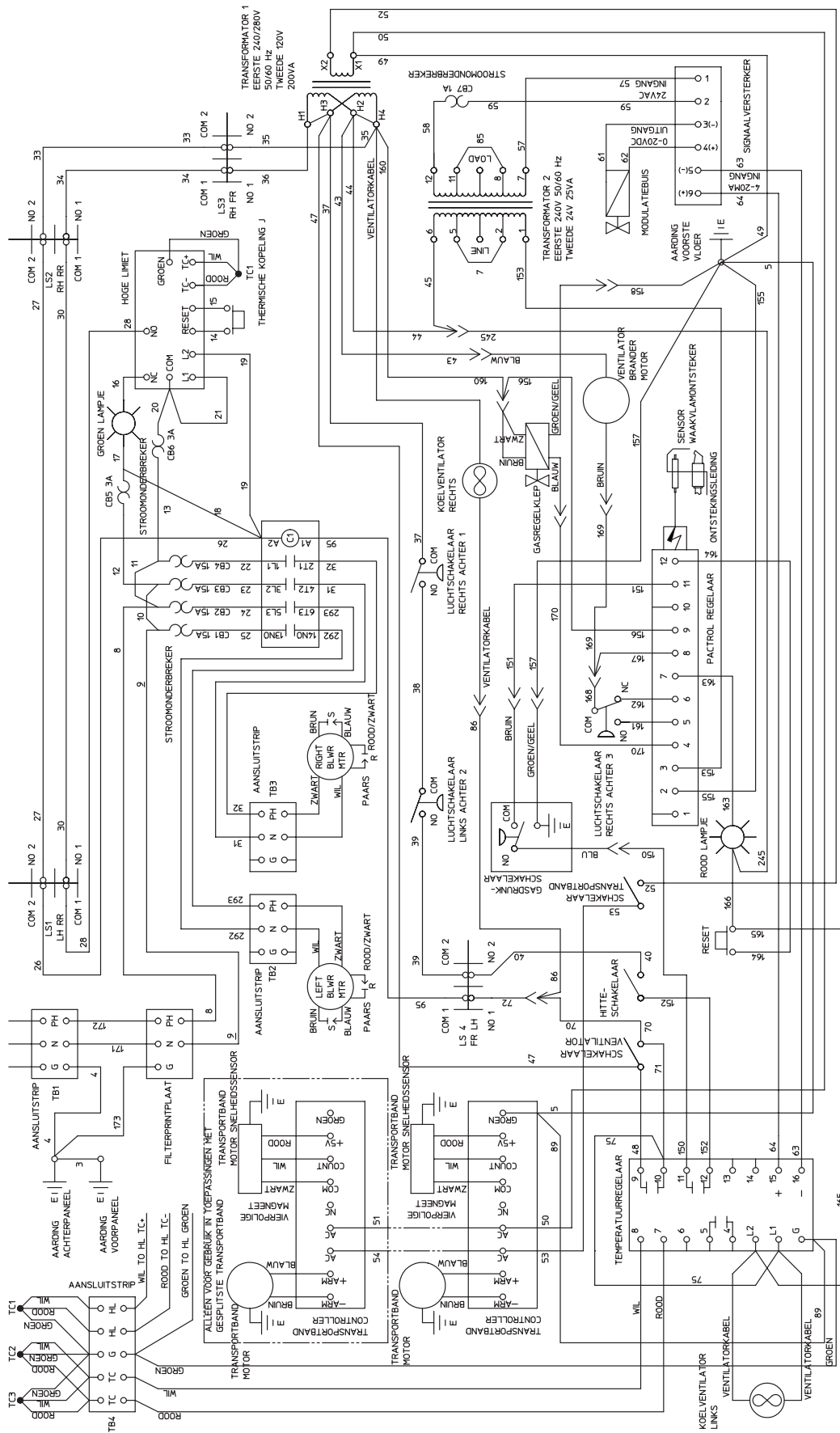


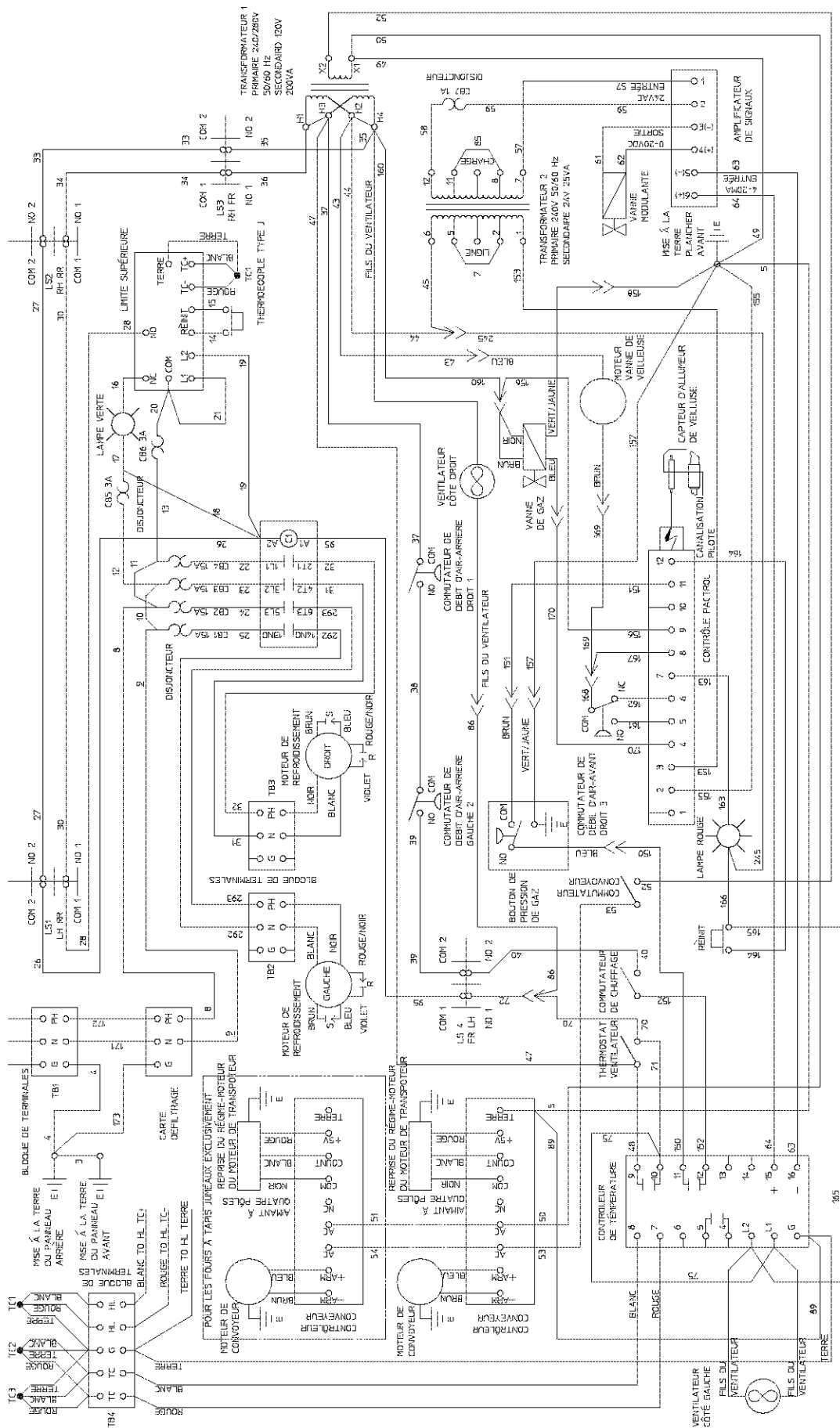
FOR USE IN  
SPLIT BELT  
APPLICATIONS  
ONLY

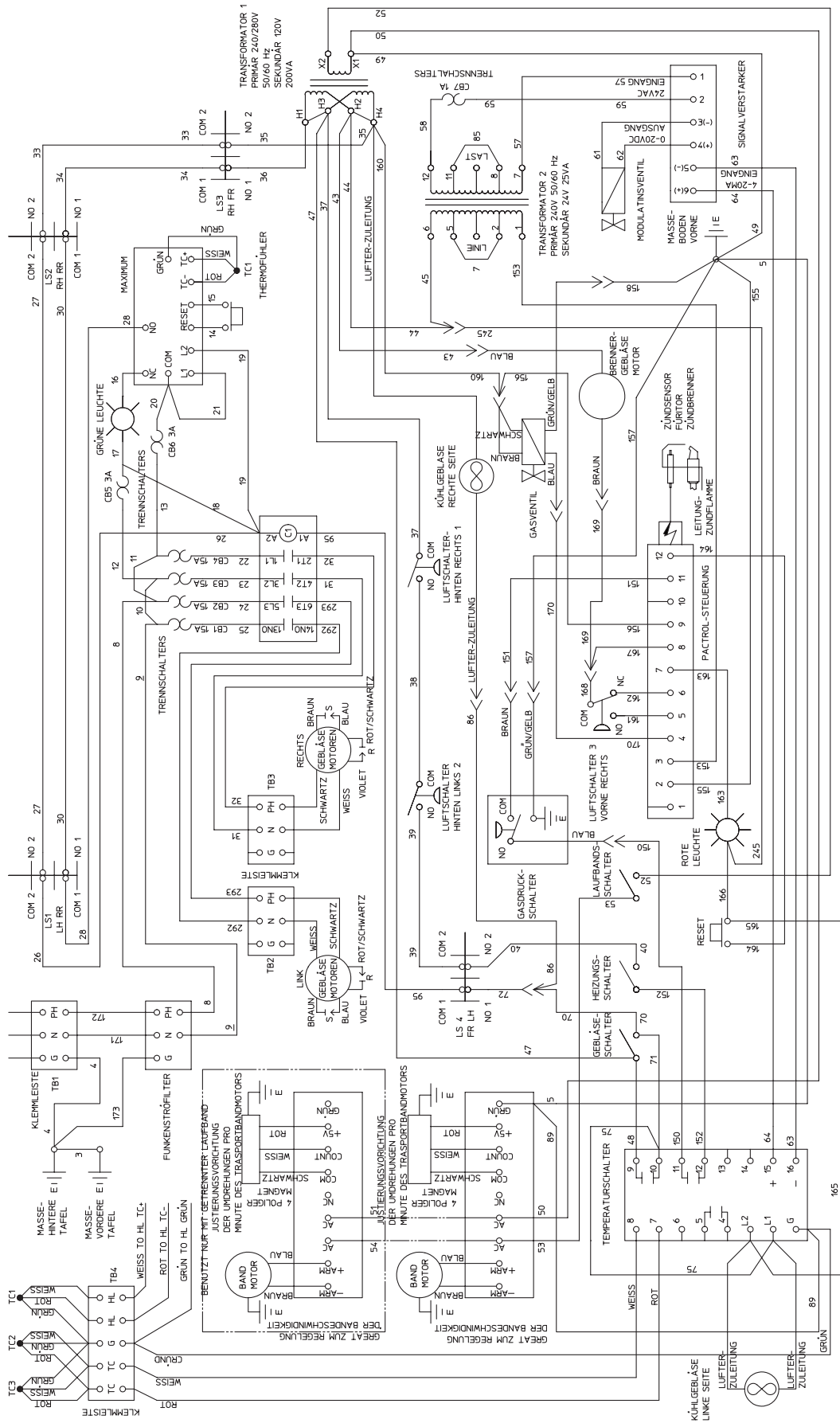




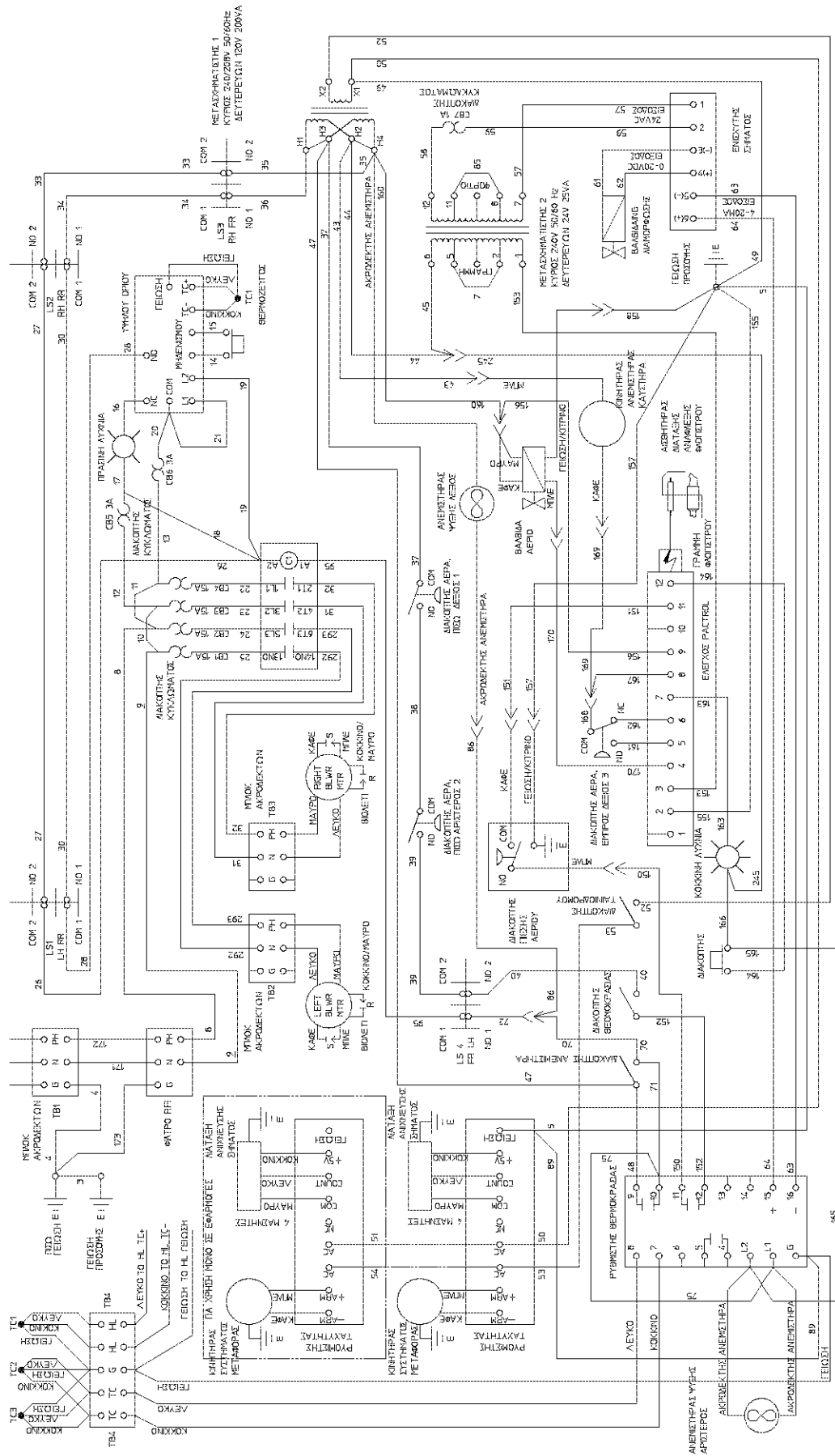


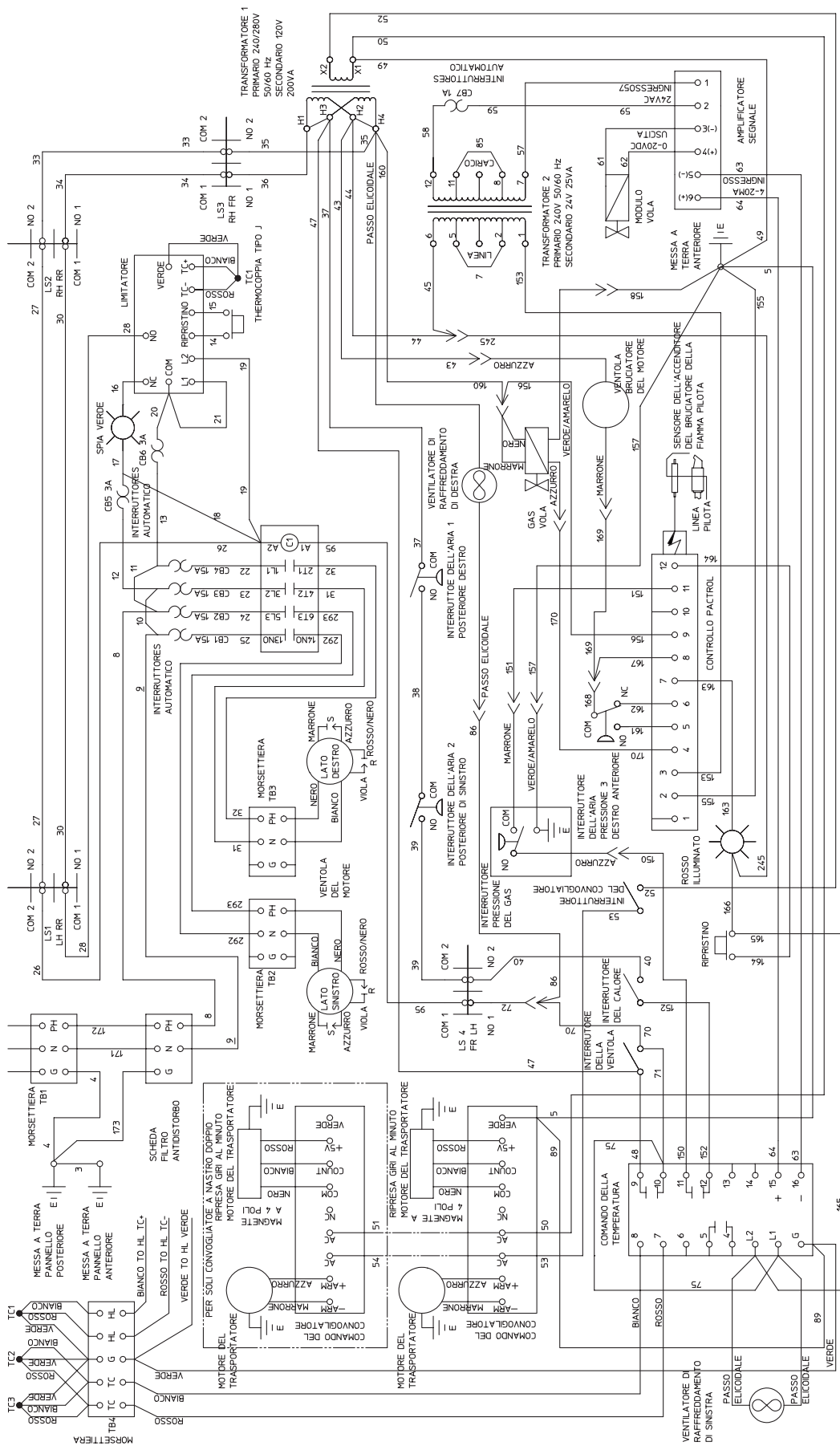




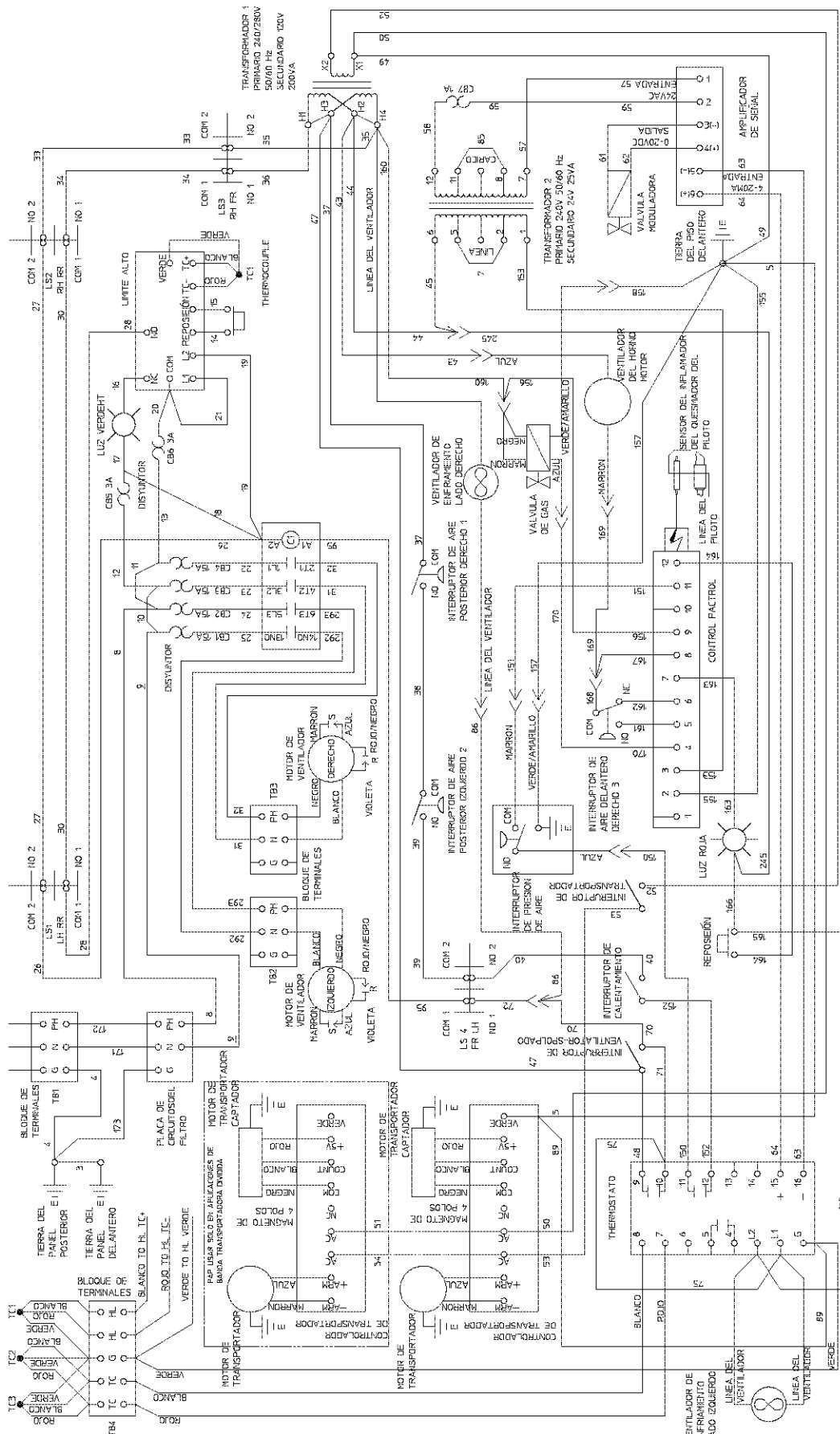


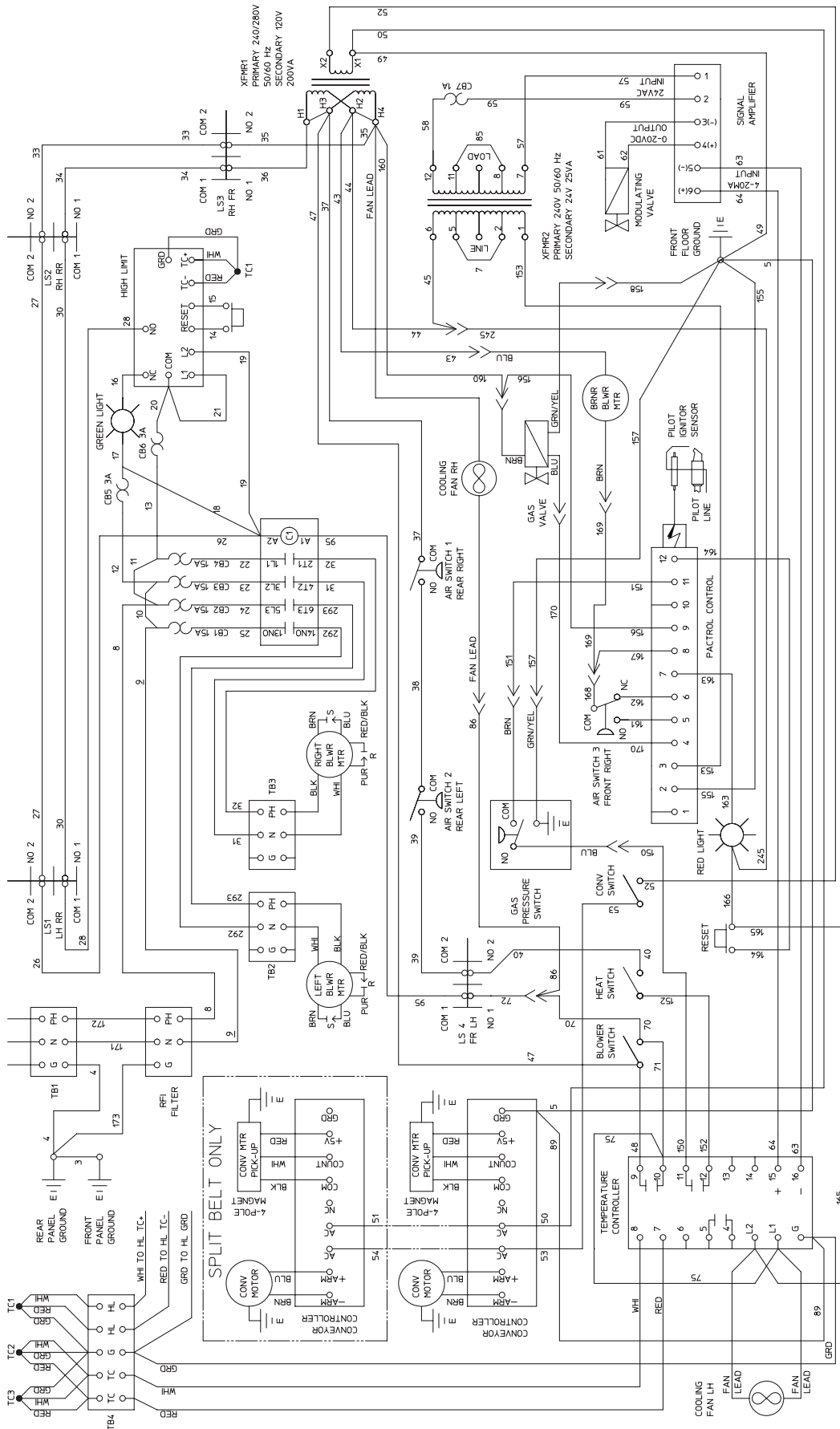






MIDDLEBY MARSHALL PS570G WIRING DIAGRAM G230 volt 50 Hz, 1 Phase CE IT 47253C







## NOTES

## NOTES





## Free Manuals Download Website

<http://myh66.com>

<http://usermanuals.us>

<http://www.somanuals.com>

<http://www.4manuals.cc>

<http://www.manual-lib.com>

<http://www.404manual.com>

<http://www.luxmanual.com>

<http://aubethermostatmanual.com>

Golf course search by state

<http://golfingnear.com>

Email search by domain

<http://emailbydomain.com>

Auto manuals search

<http://auto.somanuals.com>

TV manuals search

<http://tv.somanuals.com>