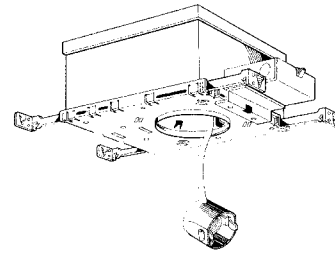
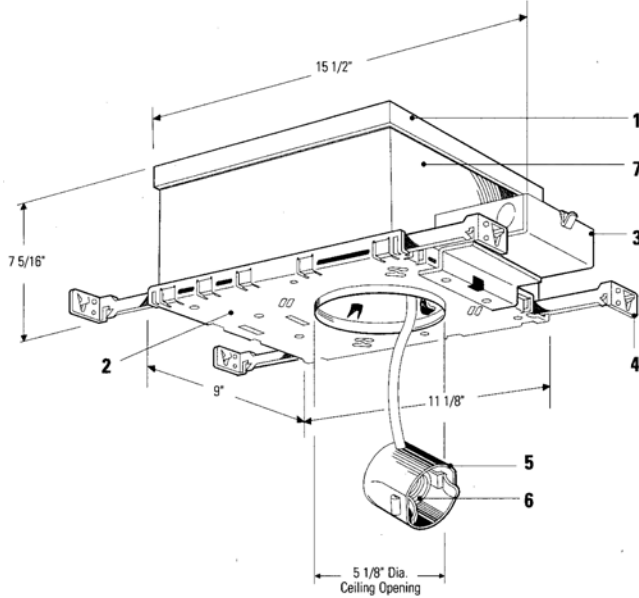


Lytecaster® Recessed Downlighting **1000AICM**



FRAME-IN KIT



REFLECTOR TRIM

Complete Fixture consists of Reflector Trim & Frame-In Kit. Select each separately.

| Frame-In Kit | Reflector Trims — See Individual Reflector Trim Specification Sheets | | | | | | | | | | |
|--------------|--|------------|---------|-------------|------------|----------|----------|--------|----------------------|-------------------|------------------------|
| | Open Downlight | | | | | Recessed | | | Enclosed Diffusers | Open Wet Location | Wall Washer |
| Reflector | Cone | Satin Cone | Baffles | Basic White | Adjustable | | Eyeball | | | | |
| 1000AICM | 1045 | 1012 | 1008 | 1005 | 1071 | 1027 | 1029 | 1022 | 1021 1024 1090 | 1084CD 1084WH | 1035 1035WH 1085 |
| | 1046 | 1012NM | 1008NM | 1005NM | | 1027CD | 1029CD | 1022WH | | | |
| | 1046CD | 1013 | 1010 | 1005BNM | | 1027NM | 1029NM | 1023 | | | |
| | | 1013CD | 1010NM | 1005WH | | 1027CDNM | 1029CDNM | 1023WH | | | |
| | | 1013BK | | 1076 | | 1027BKNM | 1029BKNM | 1082 | | | |
| | | 1013WH | | 1076WH | | 1027WH | 1029GDNM | | | | |
| | | 1013NM | | | | 1038 | 1029CLNM | | | | |
| | | 1013CDNM | | | | 1038NM | 1029CL | | | | |
| | | 1013BKNM | | | | 1048 | 1029GD | | | | |
| | | | | | | 1048NM | 1029BK | | | | |
| | | | | | | 1029BNM | 1029WH | | | | |

Features

- Housing:** .026" (#20 ga.) galvanized steel. U.L. listed for direct contact with thermal insulation. AirSeal housing minimizes air leakage to less than 2 CFM at 1.57 psf, which complies with Washington State Energy Code (Section 502.4) and reduces heat loss and condensation on ceiling. Access door for inspection of junction box.
- Mounting Frame:** .036" (#20 ga.) galvanized steel. Accommodates all ceilings up to 1" thick. 3/8" deep integral lip. Four slots are positioned 90° apart to simplify alignment. Push-in/twist-out rotoclips hold reflector flush to ceiling.
- Junction Box:** 2" x 4" x 4", .060" (#14 ga.) galvanized steel. U.L. listed for, maximum of 6 No. 12 ga., 90° C through branch circuit conductors. Quick release "L" shaped cover for outside access to wiring. Access door inside of housing allows easy inspection of wiring without removal of housing. Integral cable clamps permit attachment of nonmetallic Romex® or armored cable without the need for additional connectors.
- Mounting Bars:** .059" (#16 ga.) galvanized steel. 13" long bars extend to 27", rotatable and lockable, with integral T-bar tabs.
- Socket Housing:** Impact extruded aluminum or galvanized steel.
- Socket:** Porcelain medium base; nickel plated screw shell. Pre-wired with #18 ga. SF1 leads to junction box.
- Thermal Protector:** Meets NEC and U.L. requirements. Located inside housing

Options & Accessories (continued)

- Extra-Thick Ceiling**
- Mounting Ring:** 1967B - 1 1/4" to 2" thick ceilings.
- 277V Remote Step-Down Transformer:** 7997 - 277V down to 120V 300W max. load.

Labels

UL (Suitable for Damp Locations), I.B.E.W.
Romex® is a registered Trademark of General Cable Industries Inc.

| Job Information | Type: |
|------------------|-------|
| Job Name: | |
| Cat. No.: | |
| Lamp(s): | |
| Notes: | |

Options & Accessories

- Mounting Bars:** 1964 - 20" set of (2)
- T-Bar Ceiling Clips:** 1956 - set of (4)

Lightolier a Genlyte company www.lightolier.com
631 Airport Road, Fall River, MA 02720 • (508) 679-8131 • Fax (508) 674-4710
We reserve the right to change details of design, materials and finish.
© 2006 Genlyte Group LLC • F0806

Free Manuals Download Website

<http://myh66.com>

<http://usermanuals.us>

<http://www.somanuals.com>

<http://www.4manuals.cc>

<http://www.manual-lib.com>

<http://www.404manual.com>

<http://www.luxmanual.com>

<http://aubethermostatmanual.com>

Golf course search by state

<http://golfingnear.com>

Email search by domain

<http://emailbydomain.com>

Auto manuals search

<http://auto.somanuals.com>

TV manuals search

<http://tv.somanuals.com>