

## WHAT TO DO IF YOUR APPLIANCE DOES NOT WORK?

### Check:

- that it is plugged in and switched on at the mains socket
- the connection and fuse.
- that the accessories are correctly fitted on to the drive.
- that the lids and handles are correctly fitted.
- when using the bowl assembly (B), that the Liquidiser drive cover (A1) is locked.
- when using the Liquidiser, ensure that the tab on the lid is correctly locked under the handle

If your appliance still does not work or if you have any product problems or queries, please contact our Customer Relations Team first for expert help and advice:

### HELPLINE:

**UK 0845 602 1454 Ireland (01) 4751947**

or consult our website [www.moulinex.co.uk](http://www.moulinex.co.uk)

## ACCESSORIES & REPLACEMENTS



**The accessories contained with the model that you have just bought are shown on the label that appears on the top of the packaging.**

You can buy the following accessories or replacements by mail order from our approved Moulinex Service Centre (at the telephone number above). They are also available on our website.

Accessories
French fries disc (disc E)
Grating disc for coconut & parmesan (disc G)
Coarse grating disc (disc C)
Thick slicing disc (disc H)
Fine grating disc (A)
Thin slicing disc (D)
Grinder
Mini-chopper

Accessories
Whisk
Plastic kneader blade
Citrus press
Liquidiser jug
Metal blade
Emulsifying disc
Juice extractor
Spatula
Storage basket

### Environment protection first!

-  Your appliance contains valuable materials which can be recovered or recycled.
-  Leave it at a local civic waste collection point.

# Moulinex

# Moulinex

## Odacio 3 Food Processor Instructions and Recipes



Thank you for choosing a product from the Moulinex range. This product is intended exclusively for preparing food.

## DESCRIPTION

### A Motor unit

- A1 Liquidiser drive cover
- A2 Liquidiser drive
- A3 Bowl accessory drive
- A4 Release button for Liquidiser drive cover (A1)
- A5 Speed selector: 0 = Stop, 1 or 2 = Continuous operation, Pulse = Intermittent

### B Bowl assembly

- B1 Pusher with measuring section
- B2 Lid with feeder tube
- B3 Bowl
- B3a Bowl drive
- B3b Nut
- B3c Rubber seal
- B4 Detachable handle
- B4a Handle release button

### C Spindle

Accessories depending on model

### D Blades

- D1 Metal blade
- D2 Plastic kneader blade

### E Grating/Slicing discs

- E1 Disc holder
- E2 Discs:
  - . fine grating (A)
  - . thin slicing (D)
  - . coarse grating (C)
  - . thick slicing (H)

### F Balloon Whisk

- F1 Whisk drive
- F2 Whisk –
- G **Emulsifying disc -**  
(Optional additional accessory)

### H Citrus press

- H1 Cone
- H2 Filter basket
- H3 Citrus press spindle
- I **\*Liquidiser**
- I1 Measuring cup
- I2 Lid
- I3 Jug
- I4 Detachable handle
- I4a Handle release button

### J \*Juice extractor -

(Optional additional accessory)

- J1 Pusher
- J2 Lid
- J3 Lid seal
- J4 Filter band
- J5 Filter holder

### K \*Mini-chopper -

(Optional additional accessory)

- K1 Lid
- K2 Bowl
- L **\*Grinder**  
(Optional additional accessory)
- L1 Lid
- L2 Bowl

### M Spatula

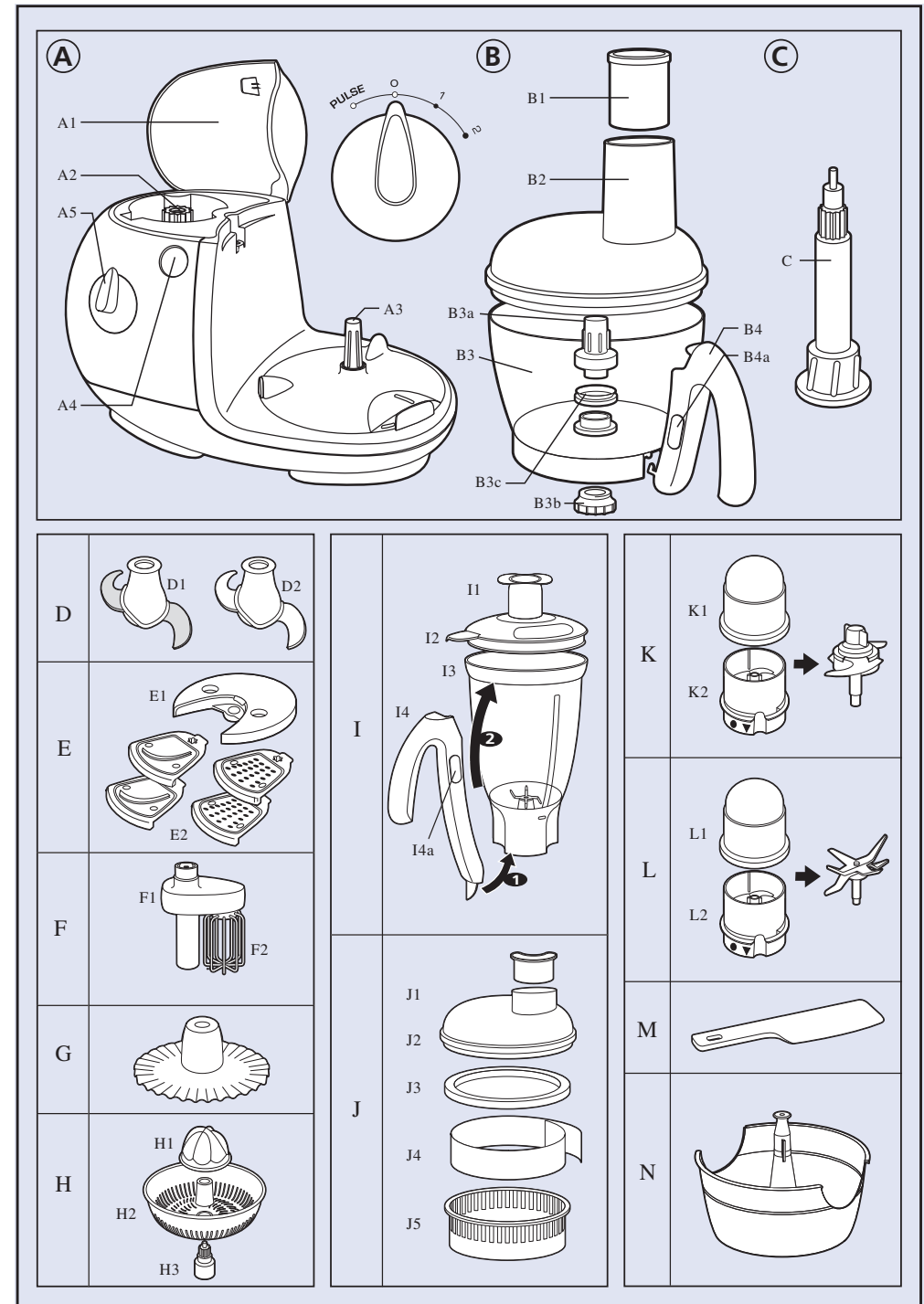
- N **Storage basket for accessories**

### Accessories supplied by model

	DFC1	DFC2	DFC3
RETRACTABLE CORD	✓	✓	✓
LIQUIDISER WITH LID (I)	*	✓	✓
METAL BLADE (D1)	✓	✓	✓
SPATULA (M)	✓	✓	✓
SLICING/GRATING DISCS (E2ADCH)	AD	AD	ADCH
EMULSIFYING DISC (G)	✓	✓	*
BALLOON WHISK (F)	*	*	✓
PLASTIC BLADE (D2)	✓	✓	✓
CITRUS-PRESS (H)	*	*	✓

Please Note:

Accessories marked \* are available as an optional additional purchase.  
Please see back cover for details of where to purchase.



## WHAT THE ACCESSORIES ARE USED FOR

Shown below are the main tasks that you would use the accessories for. Please note that some of the accessories fit onto the spindle.



### Metal Blade

Basic attachment for mixing, chopping, kneading, making breadcrumbs, crushing biscuits and batters. You can also use it for blending and puréeing instead of the liquidiser, but the texture for soups is not usually as smooth. The blade is fitted onto the spindle.



### Plastic Kneader Blade

For kneading and mixing. Ideal for making bread, pastry, biscuits and cakes. The blade is fitted onto the spindle.



### Grating Disc

Use for grating cheese, vegetables and fruit. The appropriate disc is fitted to the holder and then placed onto the spindle. (A) fine grating and (C) coarse grating plus optional Parmesan grating disc. With all grating a piece of unprocessed food always remains between the holder and lid, this is normal.



### Slicing Disc

For slicing vegetables and fruit. The appropriate disc is fitted to the holder and then placed onto the spindle. 2 discs - (D) fine slicing and (H) coarse slicing. The fine disc gives wafer thin slicing but the coarse disc gives food sliced to about 2-3 mm thickness.



### Balloon Whisk Attachment

For whisking egg whites, meringues (2 to 7 egg whites) and whipped cream (up to 0.5 litre). Making mayonnaise and mousses. Note: for whipping egg whites the total time taken is about 1½ - 2 minutes instead of seconds.



### Emulsifying disc

(Available as an additional accessory) For whisking egg whites, meringues (2 to 7 egg whites) and whipped cream (up to 0.5 litre). Making mayonnaise and mousses. Note: for whipping egg whites the total time taken is about 1½ - 2 minutes instead of seconds.



### Citrus Press

Ideal for all sorts of citrus fruits including lemons, oranges and grapefruits.



### Liquidiser Jug

Ideal for blending and puréeing soups and sauces, making frothy milkshakes and cocktails, pureeing soft fruits or cooked vegetables and fruit, making batters. Maximum capacity of total ingredients 1.5 litre.



### Centrifugal Juice Extractor

(Available as an additional accessory DFC4) Suitable for extracting juice from fruit and vegetables such as apples, pineapples, grapes, carrots, and celery. This accessory has its own lid and food pusher.



### Mini Chopper

Chops cloves of garlic, herbs, parsley, ham, small amounts of bread or French bread for breadcrumbs, nuts (quantities up to 80g) and prepares baby food. Note: It is not able to grind coffee beans or hard spices.



### Grinder

(Available as an additional accessory) Grinds spices, pepper and dried fruits in seconds.



### French Fries disc

(Available as an additional accessory) Easily cuts thin cut 'American style' fries from potatoes.

## SAFETY RECOMMENDATIONS

### • Always read the instructions for use carefully before using your appliance for the first time:

- This product has been designed for domestic use only. The manufacturer accepts no responsibility, and the guarantee will not apply, for any commercial use, inappropriate use or failure to comply with the instructions.
- Do not leave the appliance within reach of children without supervision. Young children or severely disabled persons must always be supervised when using this appliance.
- Check that the voltage rating of your appliance corresponds to that of your household electrical wiring system.
- This appliance is manufactured to conform to the Low Voltage Electrical Equipment (Safety) Regulations 1989 and is designed to comply with BS 3456. It complies with the requirements of the EEC Directive (89/336/EEC). Any connection error will render the guarantee void.
- Never leave your appliance to operate unattended.
- Unplug your appliance as soon as you have finished using it (also in the event of a power cut) and when you are cleaning it.
- Never use your appliance if it is not working correctly or if it has been damaged. If this happens, contact an approved Moulinex Service Centre (see list in service booklet).
- Do not place the appliance, the power cable or the plug under running water or in any other liquid.
- Do not allow the power cable to hang down within reach of children.
- The power cable must never be close to a heat source or resting on sharp edges.
- If the power cable or the plug are damaged, do not use the appliance. To avoid any risk, these must be replaced by an approved Moulinex Service Centre (see list in service booklet).
- Do not use the appliance for juicing if the filter holder on the juice extractor is damaged.
- For your own safety, use only Moulinex accessories and spare parts which are suitable for your appliance.
- Always use the pushers to push food down the feeder tubes, never use your fingers, a fork, a spoon, a knife or other utensils.**

### • Only remove the accessories when the appliance has come to a complete stop.

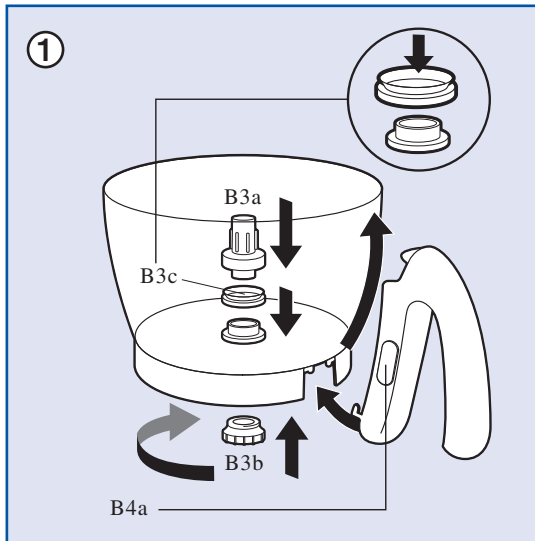
- Do not introduce any utensil (spoon, spatula...) through the feeder tube.
- Do not place any utensil containing metal in a microwave oven.
- Use the accessories one at a time.
- Handle the metal blade and discs with great care: they are extremely sharp.**
- You must remove the blades (D) and spindle (C) before emptying the bowl of its content.
- Empty the chopping bowl or liquidiser jug before detaching the handle.
- Never touch the parts when they are moving.
- Do not run your appliance empty.
- Do not allow long hair, scarves, ties etc. to dangle over accessories during operation.

Never use or plug in your appliance if:

- Its power cord is faulty or damaged.
  - The appliance has been dropped.
  - It has visible damage or operating faults.
- In such cases, to avoid any danger, contact your Approved Service Centre to have the appliance repaired, as special tools are required.

## Using your appliance

- Before using for the first time, wash all accessory parts in warm, soapy water. Rinse and dry.
- Place the motor unit on a stable, flat, clean and dry surface.
- Plug the appliance in.
- Speed selector (A5). Choose the setting required (see table page 14, or recipe).
- Pulse (intermittent operation): turn knob (A5) to the "pulse" position - using a succession of pulses can give you better control when preparing certain foods.
- Continuous operation: turn knob (A5) to position "1" or "2".
- Stop: turn knob (A5) to position "0".
- Before using the liquidiser drive (A2): ensure that there is no accessory fitted on the bowl and accessory drive.



**FITTING DETACHABLE PARTS**  
**Assembling/Dismantling the bowl (B3) - (diagram 1)**

The bowl can be used with the following accessories (depending on model):

Blades (D), grating/slicing discs (E), whisk (F), emulsifying disc (G), citrus press (H), juice extractor (J).

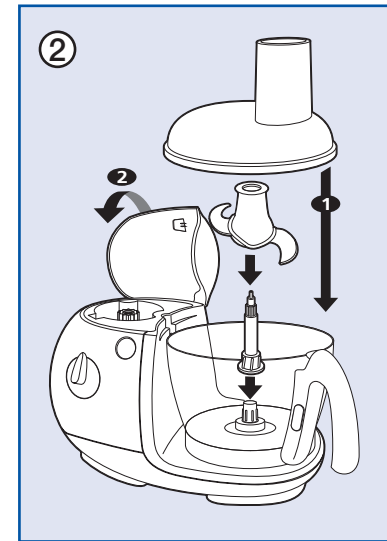
- If not already in position, fit the rubber seal (B3c) in the bottom of the bowl. Ensure that the thin lip of the seal faces upwards.
- Fit the drive (B3a).
- Fit the nut (B3b) and tighten it to lock the assembly.
- Dismantle the assembly for cleaning after each use.

**Fitting/Dismantling the bowl handle (B4) and the liquidiser jug handle (I4)**

For ease of cleaning and storage, the bowl handle (B4) and liquidiser jug handle (I4) are detachable.

- To fit the handle, position it against the lugs of the bowl/jug.
- Slide the handle upwards until it clicks.
- To detach the handle, press the release button (B4a) or (I4a) and slide the handle downwards.

**(Note: Whether you are using the Liquidiser jug (I3) or the bowl (B3) you will need to ensure that the respective handle and lid have been fitted correctly.)**



**MIXING/BLENDING/CHOPPING/ KNEADING - (DIAGRAM 2)**

**Accessories used (depending on model)**

- Bowl assembly (B), spindle (C) and blades (D):
- Metal blade (D1) for mixing or chopping.
- Plastic kneading blade (D2) for kneading or blending, pastry and cake making

**Fitting the Bowl**

Press the release button (A4) to open the Liquidiser drive cover (A1).

- Fit the bowl (B3) on the Bowl accessory drive (A3).
- Fit the spindle (C) on to the bowl drive (B3a).
- Slide the metal blade (D1) or the plastic kneading blade (D2) onto the spindle (C), pushing it down to the bottom of the bowl.
- Put the ingredients in the bowl.
- Fit the lid (B2) on the bowl.
- Close the Liquidiser drive cover (A1). You should hear an audible click.

Note: If the lid and handle are not correctly fitted on to the bowl, the appliance will not start.

To unlock the blades (D) from the spindle (C):

- Place the bowl assembly on a stable flat worktop.
- Carefully lift the blade (D) off the spindle (C).

**Usage and practical tips**

**Blending**

- Turn the speed selector (A5) to position "2" to start the appliance.

You can blend up to 1 litre of soup or stewed fruit in 20 sec.

**Chopping**

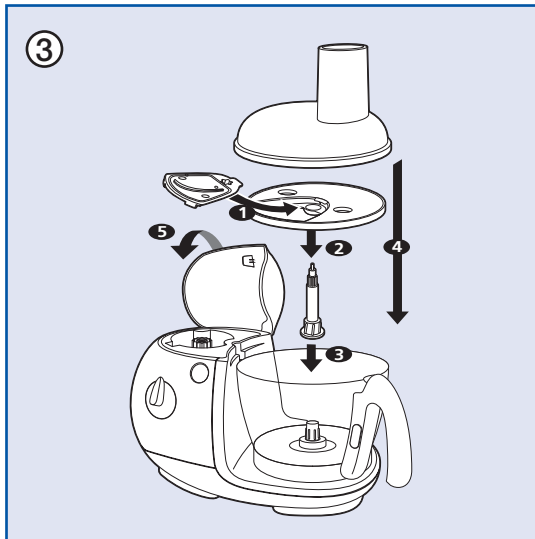
- Turn the speed selector (A5) to position "2" to start the appliance or, for better control over the chopping, use the "pulse" position.
- In 15 to 30 sec., you can chop up to 600g of food:
- hard produce: cheese, dried fruits, certain vegetables (carrots, celery...).
- soft produce: certain vegetables (onions, spinach...).
- raw or cooked meat (boned with gristle removed and diced).
- raw or cooked fish...

**KNEADING/MIXING**

- Turn the speed selector (A5) to position "2" to start the appliance.
- When kneading, stop the appliance as soon as the pastry/dough starts to form a ball.

**You can:**

- knead up to 1.2 kg of pastry/dough (biscuit, shortcrust, and bread) in approximately 60 sec.
- mix up to 1 litre of pancake, waffle batter, etc. in 1min to 1½ min.
- mix up to 1.5 kg of light cake mixture (biscuit, sponge) in 1½ min to 3½ min.



### GRATING/SLICING/FRENCH FRIES - (Diagram 3)

Accessories used

- Bowl assembly (B), spindle (C) and grating/slicing discs (E)

#### Fitting the Grating/Slicing/ French Fries Discs

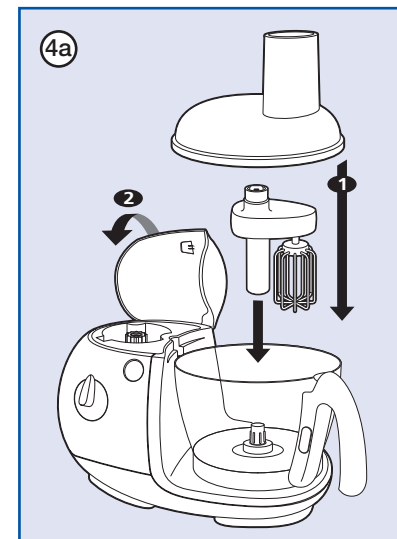
- Press the release button (A4) to open the Liquidiser drive cover (A1).
- Fit the bowl (B3) on the Bowl accessory drive(A3).
- Fit the required disc (E2) on to the disc holder (E1).
- Fit the spindle (C) on the bowl drive (B3a), then the disc holder (E1) on to the spindle (C).
- Fit the lid (B2) on the bowl.
- Close the Liquidiser drive cover (A1). You should hear a click.

#### Usage and practical tips

- Cut the food into pieces approximately 8cm high and a maximum of 4cm width
- Push the food through the feeder tube using the pusher (B1).
- Turn the speed selector (A5) to position "1" for slicing or "2" for grating.

The slicing/grating discs (depending on model):

- slice thickly (use disc H), slice thinly (use disc D): potatoes, onions, cucumbers, beetroot, apples, carrots, and cabbage...
- coarsely grate (use disc C), finely grate (use disc A): celery, potatoes, carrots, cheeses...



### BEATING/WHISKING/EMULSIFYING - (DIAGRAM 4A AND 4B)

#### Accessories used (depending on model)

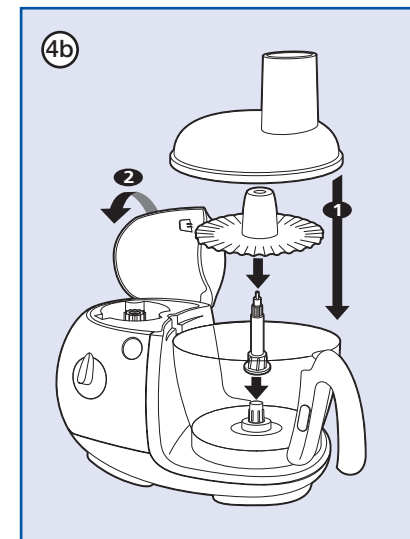
- Bowl assembly (B) and balloon whisk (F) or
- Bowl assembly (B), emulsifying disc (G) and spindle (C).

#### Fitting the balloon whisk and emulsifying disc accessories

- Press the release button (A4) to open the Liquidiser drive cover (A1).
- Fit the bowl (B3) on the Bowl accessory drive(A3).

To use the balloon whisk (F):

- fit it on to the bowl drive (B3a).

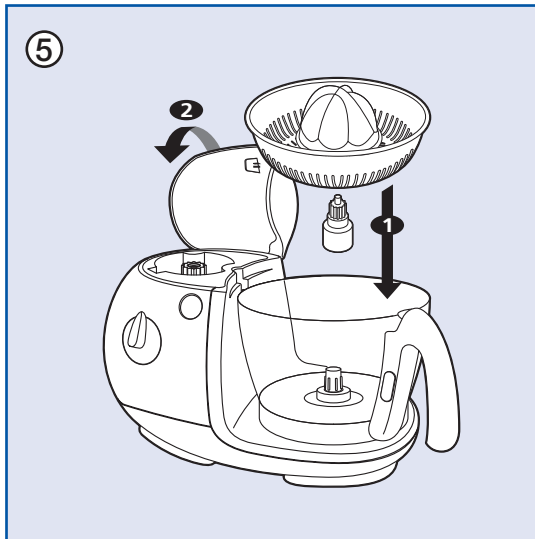


To use the emulsifying disc (G):

- fit the spindle (C) on to the bowl drive (B3a).
  - slide the emulsifying disc on to the spindle.
- Then: - Place the ingredients in the bowl.
- Fit the lid (B2) on the bowl.
  - Close the Liquidiser drive cover (A1). You should hear a click.

#### Usage and practical tips

- Turn the speed selector (A5) to position "1" or "2" to start the appliance.
- Do not use the balloon whisk or the emulsifying disc to knead dough or to mix cake mixtures, instead use the plastic kneading blade.
- You can prepare: mayonnaise, sauces, egg whites (up to 7 eggs maximum), whipped cream (up to 0.5 litre).



### SQUEEZING CITRUS FRUIT (DEPENDENT ON MODEL) (DIAGRAM 5)

#### Accessories used

- Bowl (B3) and citrus press (H)

#### Fitting the accessories for the citrus press

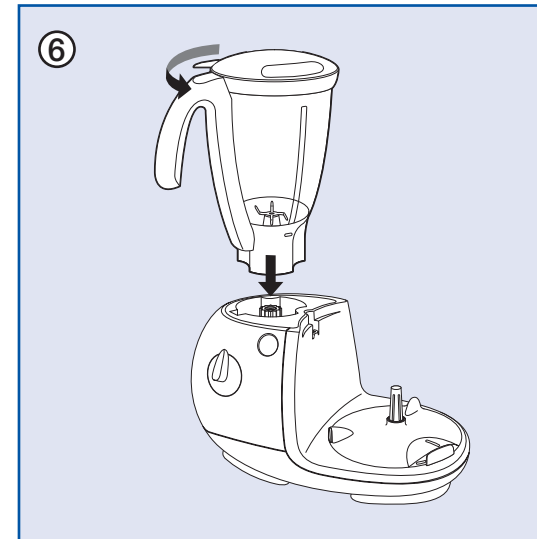
Press the release button (A4) to open the Liquidiser drive cover (A1).

- Fit the bowl (B3) on the Bowl accessory drive (A3).
- Fit the Citrus press spindle (H3) on the bowl accessory drive (B3a).
- Fit the filter basket (H2) onto the drive (H3).
- Fit the cone (H1) through the hole in the strainer.
- Close the Liquidiser drive cover (A1). You should hear a click.

#### Usage and practical tips

- Firmly hold one half of the citrus fruit on the cone (H1).
- Turn the speed selector (A5) to pulse or position "1" to start the appliance.

You can squeeze up to a litre of juice without emptying the bowl.



### BLENDING/MIXING FINELY IN THE LIQUIDISER (DEPENDENT ON MODEL) (DIAGRAM 6)

#### Accessory used

- Liquidiser jug (I)

#### Fitting the Liquidiser Jug

- Press the release button (A4) to open the Liquidiser drive cover (A1).
- Place the ingredients in the liquidiser jug (I3) and lock the lid by putting the tab on the lid under the handle (I2) on the jug.
- Fit the liquidiser jug (I) on the Liquidiser drive (A2) (you will hear an audible click).

**If the lid and handle are not fitted correctly onto the jug, the appliance will not start.**

#### Usage and practical tips

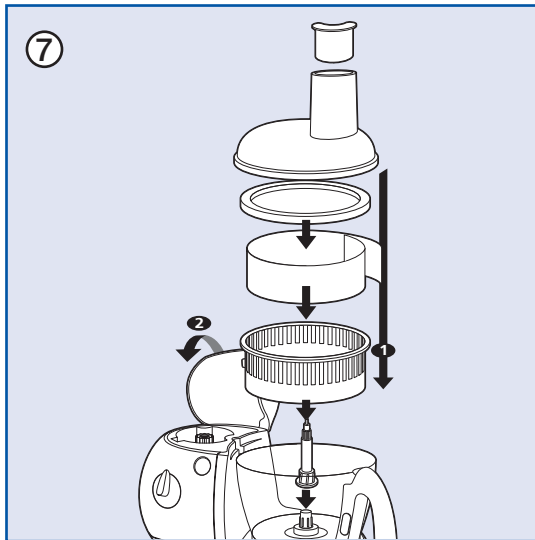
- Turn the speed selector (A5) to position "1" or "2" to start the appliance or, for better control over the blending, use the "pulse" position.

- You can add ingredients during blending through the hole of the measuring cup (I1).
- **Do not fill the liquidiser jug with boiling liquid. Only use liquids or food at simmering temperature or below.**

- Never use the blender to grind dry ingredients (hazel nuts, almonds, peanuts, sugar and spices etc.).

#### You can:

- prepare up to 1.5 litre of extra smooth soup, sauces, stewed fruits, milk shakes and cocktails.
- blend all types of batter (pancake, fritters, waffles, Yorkshire pudding).
- crush ice at speed "2" no more than a 1/4 full
- To remove the liquidiser jug from the appliance, grasp it by the handle and press the release button (A4).



### EXTRACTING JUICE FROM FRUITS AND VEGETABLES (DEPENDING ON MODEL) (DIAGRAM 7)

#### Accessories used

- Bowl (B3), spindle (C) and juice extractor (J)

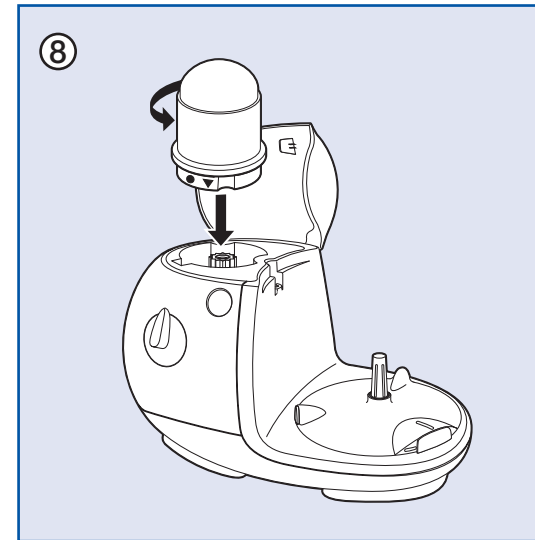
#### Fitting the accessories for Juice Extractor

Press the release button (A4) to open the Liquidiser Drive cover (A1).

- Place the bowl (B3) on the Bowl and accessory drive (A3).
- Place the spindle (C) on to the bowl drive (B3a).
- Slide the filter holder assembly (J3+J4+J5) on to the spindle (C).
- Fit the lid (J2) on the bowl.
- Close the Liquidiser drive cover (A1). You should hear an audible click.

#### Usage and practical tips

- Remove hard stones, thick peel (such as kiwi) and hard cores from fruit before processing.
- Turn the speed selector (A5) to position "2" to start the appliance.
- Insert the ingredients through the feeder tube and gently press with the pusher (J1).
- Remove the pulp regularly from the filter holder and clean the filter band.
- Do not juice more than 250g of ingredients at a time.



### FINELY CHOPPING SMALL QUANTITIES (DEPENDING ON MODEL) - (DIAGRAM 8)

#### Accessory used

- Mini-chopper (K), Grinder (L)

#### Fitting the Mini-chopper or Grinder

- Press the release button (A4) to open the Liquidiser drive cover (A1).
- Put the ingredients in the bowl (K2 or L), and lock the lid (K1 or L) on the bowl.
- Fit the accessory on the Liquidiser drive (A2) (You will hear an audible click).

If the lid is not fitted correctly, the appliance will not start.

#### Usage and practical tips for the Mini-chopper

- Turn the speed selector (A5) to position "2" to start the appliance or, for better control over the chopping, use the "pulse" position in short bursts.

With the mini-chopper you can:

- chop in seconds: garlic cloves, herbs, parsley, dried fruits, bread, ham,...
- prepare baby foods.
- Maximum quantity of dried foods (hazelnuts, almonds...): 80 g.

This mini-chopper is not designed to take hard ingredients such as coffee beans and hard spices.

#### Usage and practical tips for the grinder

With the grinder you can:

- grind in seconds: coriander, pepper, Cayenne pepper, dried apricots...
- Quantity / Maximum time for dried apricots: 140 g / 10 sec.
- The grinder is not suitable for coffee beans.

To remove the accessory from the appliance, press the release button (A4).

## CLEANING

- Unplug the appliance.
- To make cleaning easier, rinse the accessories straight after use.
- The bowl, liquidiser jug and their lids, drives and handles are all dishwasher safe. For ease of cleaning these are detachable (see diagram 1).  
Do not put the rubber seal in a dishwasher. Clean it separately using warm water and washing up liquid. When refitting the rubber seal, ensure that the thin lip faces upwards.
- The accessories are all dishwasher safe, except for the balloon whisk (F). All other accessories can be cleaned in the dishwasher (upper shelf only). For ease of cleaning, the accessories can be placed in the storage basket (N) and then put in the dishwasher.
- To clean the balloon whisk (F) carefully detach the whisk drive (F1) from the whisk (F2) by gently pulling them apart. The whisk drive (F1) should NOT be submerged in water and should be cleaned carefully using warm water and washing up liquid. The whisk (F2) can be submerged in warm water containing washing up liquid and can be cleaned using a cloth or washing up brush.  
**Important:** Do not allow water to run into the drive section on the top of the balloon whisk.
- Alternatively, to wash and dry the accessories, pour some hot water containing a few drops of washing up liquid into the mixer bowl or liquidiser jug. Close the lid. Operate in short bursts by using the pulse several times. Unplug the appliance. Rinse the accessory, bowl or jug under running water and leave to dry.
- For ease of cleaning and storage, the bowl handle (B4) and the liquidiser jug handle (I4) are detachable (and dishwasher safe).
- Over time the strong coloured natural juices from food such as carrots and beetroot may stain the plastic parts – this is normal. These parts may be cleaned by soaking in mild bleach (non abrasive) straight after use, or alternatively you can gently rub these parts (taking extra care with any blades) with a cloth dipped in cooking oil and then wash as normal.
- Do not submerge the motor unit (A) or the balloon whisk drive (F1) in water or place near running water. Wipe the motor unit with a damp cloth, clean the balloon whisk as instructed opposite.
- **The blades on the accessories are very sharp. Always handle with care.**

## STORAGE

Your Odacio food processor has:

- a storage basket (N) that fits inside the bowl assembly (B). You can store the grating/slicing discs (E2), the disc holder (E1), the metal blade (D1) as well as the spindle (C).
- Cord storage is incorporated in the motor unit: store the supply flex and adjust it to the required length by pushing or pulling it out of the base.

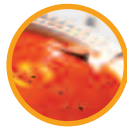
## SPEED SETTINGS & MAXIMUM CAPACITIES

Function	Type of Food	Speed setting (for 2 speed models)	Accessory	Maximum Capacity
Chopping	Onions, other vegetables, fruit, raw and cooked meat or fish	2	Metal blade	600g
Mixing	Batters	2	Metal blade	1 litre
	Light cake mixture	2	Plastic blade	1.5 kg
Kneading	Pastry	2	Plastic blade	1.2 kg
Blending (in food processor bowl)	Soups, pâtés & stewed fruits	2	Metal blade	1 litre
Grating	Vegetables and fruit	Pulse or 2	Grating disc	Until bowl is full
Slicing	Vegetables and fruit	Pulse or 1	Slicing disc	Until bowl is full
Whisking	Egg whites	1 or 2	Balloon whisk or emulsifying disc	Up to 7 egg whites
	Whipped cream	1	Balloon whisk or emulsifying disc	Up to 500ml
Citrus Press	Citrus juices	Pulse or 1	Citrus press	Up to 1 litre
Liquidiser	Extra smooth soups, sauces, milkshakes, cocktails	Pulse or 1-2	Liquidiser jug	1.5 litre
	Batters	1 or 2	Liquidiser jug	Up to 1.5 litre
	Crush ice	2	Liquidiser jug	1/4 full
Juice Extractor	Juice	2	Juice extractor	Up to 1 litre
Mini Chopper	Nuts, herbs, parsley, garlic etc	Pulse or 2	Mini chopper	80 g nuts
Grinder	Coriander, pepper, cayenne pepper and dried fruit, coffee and hard spices	Pulse or 2	Grinder	140 g dried apricots
French Fries	Potatoes and vegetables	Pulse	French fries disc	Until bowl is full

Maximum capacity refers to total weight of ingredients



# Recipes and Useful Notes



## Soups, Starters and Vegetable Accompaniments

16-18



## Main Courses

19-21



## Desserts

22-23



## Mayonnaise and Dressings

24



## Cakes, Scones & Biscuits

25-27



## Pastry, Batters & Bread

28-29



## Drinks

30

- In the following recipes, the conversions for Metric and Imperial are approximate. Please do not mix the two systems and follow either Metric or Imperial measures.
- All spoon measures are level, unless stated otherwise.
- Eggs used in recipes are medium size, unless stated otherwise.
- Processing times are for the quantities stated in the recipes. For larger or smaller quantities adjust the time accordingly.
- The cooking times and temperatures stated in the recipes are only a guide. If using a fan oven the times and temperature may need adjusting as advised in the manufacturer's instructions. If you have adapted the recipe in any way, you may also need to adjust the cooking time.
- The recipes in this book have been devised specifically for use in your Odacio 3. If the recipes are prepared in a food processor other than this, the processing times and results may vary considerably.
- If you have a DCF1 or DCF2 model, instead of the whisk accessory use the emulsifying disc.



## Soups, Starters & Vegetable Accompaniments

### FARMHOUSE VEGETABLE SOUP

Serves 6



**2 small potatoes • 2 small carrots • 1 turnip • 1 leek (white part only) • 1 onion • a small stick of celery • a few sprigs fresh parsley • 1 litre chicken or vegetable stock • salt and freshly ground black pepper**

Peel and dice the vegetables. In a large saucepan add the parsley, salt and pepper plus the stock. Simmer for 30 minutes. Once cooked, pour the cooked vegetables and stock into the **liquidiser**. Process on **speed 2** for 30 seconds. Serve the soup immediately with chunks of crusty bread.

### CREAM OF ASPARAGUS SOUP

Serves 6



**2 x 411 g can asparagus spears or cut asparagus • 250 ml chicken stock 200 ml single cream • 2 egg yolks • salt and pepper • 1 tbsp chopped chives**

Drain the asparagus. If using whole spears, cut into 3 or 4 cm long pieces. Pour the liquid from the asparagus into the **liquidiser**. Add the cut asparagus, the cream, egg yolks, stock, salt and pepper. Process on **speed 2** for 1 minute. Pour into a microwaveable container and cover. Microwave for 12 min on medium power. Stir halfway through cooking. When cooked, pour the soup back into the liquidiser and blend again for 20 seconds at **speed 2**. Serve immediately and garnish with finely chopped chives.

**Cook's note:** These timings are for a 800W microwave oven. For different wattage ovens, adjust cooking time accordingly.



## SALMON TERRINE

Serves 8

**300 g (11 oz) salmon fillet • 350 g (12 oz) cod fillet • 1 onion • 25 g (1 oz) butter • 1 tbsp vegetable oil • 50 ml (2 fl oz) dry white wine • 3 whole eggs • 150 ml (1/4 pt) crème fraîche • 3 tbsp tomato purée • salt and pepper • cayenne pepper**

Chop the onion in the bowl fitted with the **metal blade** on speed 2. Gently fry the onion in the butter and oil until softened. Add the white wine and simmer rapidly until the liquid is reduced and cooked away. Cut the fish into 3 cm (1 in) pieces, place in the bowl with **metal blade** and chop up on **speed 2** for 20 seconds. Add the eggs, crème fraîche, tomato purée, onion, salt, pepper and a pinch of Cayenne pepper. Process on **speed 1** for a few seconds then increase to **speed 2** for 50 seconds. Grease a rectangular terrine mould (24 cm x 9 cm). Pour in the mixture. Stand in a roasting tin and pour in boiling water to come halfway up the sides. Cover with buttered foil and bake in a preheated oven at 180°C/350°F (Fan oven 170°C), Gas mark 4 for about 1 hour. Leave to cool before turning out. Serve cold in slices, with a green salad accompanied by hot toast.



## COUNTRY PÂTÉ

**1 small garlic clove, peeled (optional) • 1 small onion, peeled and quartered • 25 g (1 oz) butter or margarine • 100 g (4 oz) unsmoked streaky bacon • 225 g (8 oz) lambs liver • 225 g (8 oz) lean pork • 1 tbsp finely chopped fresh parsley • 2 tbsp double cream • 3 tbsp brandy or port (or half and half) • 1/2 tsp dried mixed herbs • a pinch of ground allspice • salt and freshly ground black pepper • 1 beaten egg**

Use the **metal blade**. Process the garlic and onion using **speed 2** for about 10 seconds until finely chopped. Melt the butter in a saucepan, add the onions and cook, without colouring, until softened. Add the alcohol and increase the heat, allowing the liquor to reduce until almost dry. Leave to cool.

Trim and dice the liver. Cut the bacon and pork into 2.5 cm (1 in) pieces. Process the bacon, liver and pork for 15 – 20 seconds on **speed 2** until chopped to your preferred consistency. Remove the metal blade. Add the onions, parsley, cream, mixed herbs, all spice, salt, pepper and, lastly, the beaten egg. Mix with a wooden spoon.

Place the mixture in a 900 g (2 lb loaf tin) or terrine mould. Gently press the mixture down and cover with buttered foil. Stand in a roasting tin and pour in boiling water to come halfway up the sides. Bake in a preheated oven at 180°C/350°F (Fan oven 170°C), Gas mark 4 for 1 1/2 - 1 3/4 hours. Top up with more boiling water, if necessary. Leave to cool in the tin for 30 minutes. Cover with a piece of foil, then place a weight on top of the cooked pâté and chill overnight in the refrigerator. Turn out and serve cut in slices with crusty bread and a mixed salad.

## DAUPHINOISE POTATOES

Serves 6

**1 kg (2 1/4 lb) non-waxy old potatoes, small size • 100 g (4 oz) Gruyère cheese • 3 egg yolks • 284 ml carton single cream • 250 ml (9 fl oz) milk • pinch of ground nutmeg • salt and pepper • 1 clove of garlic, peeled (optional) • butter for greasing**

Use the **fine grating disc (A)** and grate the cheese on **speed 2**. Set aside. Peel the potatoes and trim to fit the feed tube. Use the **coarse slicing disc (H)** and slice the potatoes on **speed 1**. Do not leave in water and use straight away. Grease a shallow ovenproof dish with butter and rub with a garlic clove. Fill the dish with potatoes. For a neater finish overlap the top layer of potatoes in rows. Clean the bowl and fit the **whisk**. Add the egg yolks, cream, milk, nutmeg, salt and pepper. Process on **speed 2** for 1 minute. Pour this mixture over the potatoes.

Bake in a preheated oven at 200°C/400°F (Fan oven 190°F), Gas mark 6 for 45 – 60 minutes. Cover with foil if the top browns too quickly. After 30 minutes cooking, sprinkle over the grated cheese. The exact cooking time will vary according to the type of potatoes, so test the potatoes by piercing with a knife. Serve immediately.

*Try this:* For a Celeriac and Potato Dauphinois, reduce the quantity of potatoes to 450 g (1 lb) and slice 1 large celeriac with disc H. Arrange the potatoes and celeriac in layers, making sure the potatoes are on the top and bottom.

## COURGETTE AND CHEESE BAKE

Serves 4-6

**Serves 4 for lunch or 6 as a main course accompaniment.**

**1 kg (2 1/4 lb) courgettes • 100 g (4oz) Gruyère cheese • 250 ml (9 fl oz) double cream or crème fraîche • 3 eggs • salt and pepper • grated nutmeg • butter for greasing**

Wash the courgettes but do not peel. Use the **coarse slicing disc (H)** and cut the courgettes on **speed 1**. Blanch in boiling, salted water for 5 min. Drain well and place in buttered ovenproof dish. Use the **fine grating disc (A)** and grate the cheese on **speed 2**. Set aside. Fit the **wire whisk** in the bowl and mix the eggs, cream or crème fraîche, salt, pepper and a pinch of nutmeg. Process on **speed 2** for 30 seconds. Remove the whisk and stir the grated cheese into the egg mixture. Pour the mixture over the courgettes and make sure they are all covered. Bake in a preheated oven at 230°C/450°F (Fan oven 220°C), Gas mark 8 for about 15 minutes. If the top browns too quickly cover with foil. Ideal served on its own for a light lunch or to accompany a main course.





## Main Courses



### SALMON AND VEGETABLE FLAN

Serves 6

#### For the pastry

250 g (9 oz) plain flour • 125 g (4½ oz) block margarine, straight from the fridge • 4 tbsp cold water • 1 pinch of salt



#### For the filling

350 g (12 oz) courgettes • 350 g (12 oz) carrots, peeled • 15 g (½ oz) butter • 1 tbsp vegetable oil • 350 g (12 oz) fresh salmon • 3 eggs • 100 ml (3½ fl oz) milk • 200 ml (7 fl oz) crème fraiche • pinch of paprika • salt and pepper



Cut the fat into pieces. Place the flour, fat and salt in the bowl fitted with the **plastic kneader**. Process on **speed 2** for about 10-15 seconds until the mixture resembles fine breadcrumbs. With the machine running add the water through the feed tube and process on **speed 2** until it just begins to bind together. Remove and knead lightly to form a smooth ball, then wrap in cling film and leave to chill for at least 30 minutes in the fridge. Roll out the pastry on a lightly floured surface and line a shallow 30 cm (12 in) loose based flan tin. Prick the base, line with greaseproof paper and baking beans. Bake blind in a preheated oven at 180°C/350°F (Fan oven 170°C), Gas mark 4 for 20 minutes. Remove the paper and beans.

Meanwhile, make the filling. Grate the courgettes and carrots in the bowl fitted with the **coarse grating disc (C)**. On **speed 2**. Heat the butter and oil in a large frying pan and cook on a low heat for approximately 15 minutes. Cut the fish into thin strips. Place the raw fish and vegetables into the precooked pastry case. Place the eggs, milk, crème fraiche, paprika, salt and pepper in the bowl fitted with the **whisk**. Process on **speed 2** for 30 seconds. Pour the mixture over the vegetables. Return to the oven and bake for about a further 30 – 35 minutes. Serve hot.

**Try this:** If preferred you can use half block margarine and half lard for pastry with a short texture.

### BACON WRAPPED CHICKEN WITH HERBY STUFFING

Serves 4



4 skinless chicken breasts • 50 g (2 oz) dry bread, crusts removed • 50 g (2 oz) cup mushrooms • 25 g (1 oz) butter • 7 rashers streaky bacon • 50 g (2 oz) mature Cheddar cheese, grated • 1 tsp dried mixed herbs • 1 egg yolk

Place the chicken breasts between two sheets of cling film and gently bash with a rolling pin to flatten them. Cut the bread into 2.5 cm (1 in) cubes. Fit the **metal blade** and with the machine running on **speed 2**, drop the bread through feed tube and process. Set aside. Chop the mushrooms using the **metal blade** on **speed 2**. Lightly fry the mushrooms in the butter. Set aside. Remove the rind from the bacon. Cut 3 rashers into 2.5 cm (1 in) pieces and chop using the **metal blade** on **speed 2**. Fry until lightly cooked and set aside. In the Odacio bowl mix the mushrooms, bacon, breadcrumbs, grated cheese, mixed herbs and egg yolk on speed 1 for 15 seconds. Spread over the chicken breasts and roll up. Run the back of a knife over the remaining bacon to stretch it. Wrap a rasher around each chicken breast. Secure with wooden cocktail sticks. Place in a greased ovenproof dish. Bake in a preheated oven at 190°C/375°F (Fan oven 180°C), Gas mark 5 for 50 minutes or until the chicken is cooked through. Serve garnished with watercress.

### PERFECT PIZZA

Makes a 28cm (11inch) pizza



150 g (5 oz) strong white bread flour • ½ tsp Easy bake or fast action dried yeast tsp salt • ½ tsp granulated sugar • 90 ml warm water (1 part boiling water, 2 parts cold water) • 15 ml (1 tbsp) olive oil

#### For the topping

200 g (8 oz) fresh flavoursome tomatoes • dried oregano • 100 g (4 oz) sliced mushrooms • 1 garlic clove, crushed (optional) • 2 tbsp olive oil • 6 slices of salami • 100 g (4 oz) Gruyere cheese • 6 pitted black olives • salt and ground black pepper



Fit the **fine grating disc (A)** and grate the cheese on **speed 2**. Set aside. Place the flour, yeast, salt and sugar in the bowl with the **plastic kneader**. Mix for a few seconds on speed 1 and then increase to **speed 2**. With the machine running, pour the warm water and olive oil through the feed tube and process for about 30 seconds until the dough forms a ball. On a lightly floured surface knead lightly into a smooth ball, then roll out to a 28 cm (11 in) circle. Place on a lightly greased baking sheet. Cover.

Blanch the tomatoes in boiling water for 2 minutes, drain and peel. Deseed and roughly chop the flesh. Heat the olive oil in a pan and gently fry the mushrooms and garlic until slightly brown. Season with ground black pepper. Cover the pizza base with the tomatoes and sprinkle over the oregano. Top with the salami and grated cheese, followed by the mushrooms and finally the olives. Drizzle with a little olive oil. Bake in a preheated oven at 220°C/425°F (Fan oven 210°C), Gas mark 7 for about 15 – 20 minutes or until crisp. Serve immediately with a green salad.



## MEATBALLS WITH GOATS CHEESE AND FRESH TOMATO SAUCE



25g (1oz) dry white bread, crusts removed • 30 ml (2 tbsp) milk • 1/2 onion, chopped • 350g (12oz) pork or lamb, cut into chunks • 15 ml (1 tbsp) chopped fresh marjoram • 30ml (2 tbsp) chopped fresh parsley • 10 ml (2 tsp) dark soy sauce • a pinch of sugar, optional • salt and pepper • 15 ml (1 tbsp) vegetable oil • 100 g (4 oz) goats cheese, diced

### For the fresh tomato sauce

450g (1 lb) fresh flavoursome tomatoes • 1/2 onion • 1 clove garlic (optional) • 25g (1 oz) butter • 225ml (7 1/2 fl oz) chicken stock • 7.5 ml spoon (1 1/2 tsp) sugar • 15ml (1 tbsp) tomato purée • 8 fresh basil leaves, roughly chopped • salt and pepper • 20g (scant 1 oz) cornflour (optional)

Fit the **metal blade** in the bowl. Cut the bread into cubes. Process into crumbs on **speed 2** for about 20 seconds. Place in a bowl, cover with the milk and leave to soak for 10 mins. Chop the onion using pulse. Add the meat, herbs, bread, soy sauce, sugar and seasoning. Process on **speed 2** for about 20 seconds until finely chopped, but take care not to over process. Shape into walnut-sized balls and chill in the refrigerator for about 1 hour. Heat the oil and fry on a medium heat for 10 – 15 mins.

Meanwhile make the tomato sauce. Skin the tomatoes by placing in boiling water for a few minutes. Skin, cut in half and deseed. Clean the bowl and fit the **metal blade**. Chop the onion and garlic on **speed 2** for 15-20 seconds. Melt the butter in a large pan. Cook the onion and garlic on a gentle heat for about 5 minutes until soft. Remove from the heat. Add the tomatoes, chicken stock, sugar, tomato purée, basil leaves and seasoning. Mix the cornflour with a little water and stir into the pan. Gently bring to the boil, stirring continuously until the sauce thickens. Cover and simmer for 30 minutes. Purée the tomatoes in the **liquidiser** on **speed 2** until smooth. Reheat and adjust the thickness, if necessary. **Makes about 600ml (1 pint) of sauce.**

Place the cooked meatballs in an ovenproof dish and pour over sufficient tomato sauce to cover them. Top with the diced goats cheese and bake in a preheated oven at 200°C/400°F (Fan oven 190°C), Gas mark 6 for about 30 minutes until piping hot. Serve with bread and salad. **Makes about 20 meatballs.**

**Try this:** Served the cooked meatballs on a bed of spaghetti with the hot tomato sauce.



## Desserts

### TIRAMISU

Serves 5-6



200 ml (7 fl oz) hot water • 3 tbsp instant coffee • 5 tbsp Marsala or rum • 36 sponge fingers (1 x 200 g packet) • 3 eggs, separated • 250 g (9 oz) Mascarpone cheese • 30 g (1 oz) caster sugar • cocoa powder

Dissolve the instant coffee in the hot water. Add the Marsala or rum. Leave to cool. Soak the sponge fingers in the coffee and alcohol mixture and use one third of them in the bottom of a 17cm (6 1/2 inch) soufflé dish. Beat the egg yolks, caster sugar and Mascarpone in the bowl fitted with the **whisk**. Process on **speed 2** for 1 minute. Pour the mixture into a large mixing bowl. Clean the Odacio bowl and beat the egg whites on **speed 2** for 1 1/2 minutes with the **whisk** until stiff. Gently fold the egg whites into the egg mix until well mixed. Pour one-third of it over the sponge fingers. Add a second layer of soaked sponge fingers. Cover with one-third of the mixture. Top with the remaining soaked sponge fingers and remaining mixture. Leave to set in the refrigerator for at least 12 hours. Dust with sieved cocoa powder.

**Cook's note on Whipping Egg Whites:** Best results are obtained when whipping 2 – 7 egg whites. Make sure the bowl and whisk are absolutely clean. Remove the pusher and process on **speed 2** for about 1 1/2 minutes to 2 minutes, depending on the number of egg whites, until they are stiff. In common with other food processors, the volume is less aerated than using an electric mixer or hand whisk.



## MINI PAVLOVAS WITH SUMMER FRUITS

Makes 8

5 egg whites • 250 g (9 oz) icing sugar • pinch of salt

### For the filling

284 ml carton whipping cream, whipped • 450 g (1 lb) strawberries or raspberries or other summer berry fruits

Place the egg whites, icing sugar and salt in the bowl fitted with the **whisk**, but leave the pusher out to allow more air in. Make sure the bowl and whisk are scrupulously clean otherwise the eggs will not whisk. Process on **speed 2** for 8 minutes until stiff. Place 8 spoonfuls of mixture onto two baking sheets, lined with non-stick baking parchment, and shape into 4 cm (1.5 in) circles. Bake in a preheated oven at 110°C/225°F (Fan oven 100°C), Gas mark 1/4 for about 1 1/2-2 hours until firm and crisp. Leave to cool. Top with whipped cream and cover with the fruit.

**Cook's note:** This mixture can be made into meringue shells by shaping with a spoon, but is not firm enough to pipe. Alternatively, use it as a topping for Lemon Meringue Pie or Baked Alaska.



## PROFITEROLES WITH WARM TOFFEE SAUCE

Serves 5 - 6

### For the choux pastry:

75 g (3 oz) butter • 225 ml (7 1/2 fl oz) water • 110 g (4 oz) plain flour • 3 eggs, medium size

### For the filling:

284 ml (10 fl oz) tub whipping cream, whipped

### For the toffee sauce:

115 g (4 oz) cream toffees • 75 ml (5 tbsp) double cream • 50 g (2 oz) toasted flaked almonds, for decoration

Melt the butter and water in a saucepan. When the mixture is boiling, remove from the heat and add the flour in one go. Beat with a wooden spoon until smooth and comes away from the sides of the pan. Leave to cool slightly. Place the paste in the bowl fitted with the **plastic kneader**. With the machine running on **speed 1** add the eggs one at a time through the feed tube. Increase to **speed 2** and process for another 1 minute.

Using a teaspoon place walnut size spoonfuls of mixture on a greased baking tray. Allow a little space between each spoonful as they will swell during cooking. Bake in batches in a preheated oven at 220°C/425°F, gas mark 7 for about 20-25 minutes or until crisp, well puffed and golden brown. Lift onto a wire rack and make a small hole in the base to release any steam. Leave to cool.

Fill the cooled choux puffs with the whipped cream.

Prepare the toffee sauce at the last minute so it can be served warm. In a saucepan melt the toffees on a low heat, stirring all the time. When half melted, add the double cream and keep mixing until all the toffees have melted. Pile the profiteroles in individual dishes, pour over the warm sauce and sprinkle over the toasted flaked almonds.



# Mayonnaise and dressings

## MAYONNAISE

Makes about 300 ml (1/2 pint)

1 egg yolk • 1 tsp Dijon mustard • 2 tsp white wine vinegar • 250 ml (8 fl oz) olive or sunflower (or half olive oil & half sunflower oil) • salt and pepper

All the ingredients should be at room temperature and not too cold. Fit the **whisk**. Add the egg yolk, mustard, vinegar, salt and pepper. Use speed 1 and mix until well blended then, without stopping the machine, very slowly pour the oil through the feeder tube. Increase to **speed 2** and process until the mayonnaise is thick enough, after about 30 seconds. Adjust the seasoning.

**Try this:** For Garlic Mayonnaise add 2 crushed cloves of garlic, or more if you prefer, with the egg yolks.

## VINAIGRETTE DRESSING

Makes about 300 ml (1/2 pint)

150 ml (1/4 pt) olive oil • 150 ml (1/4 pt) sunflower or groundnut oil • 75 ml (5 tbsp) wine vinegar • 5 ml (1 tsp) caster sugar • 5 ml (1 tsp) French mustard • 1 garlic clove, finely chopped • 2.5 ml (1/2 tsp) salt • freshly ground black pepper

Fit the **metal blade**. Add all the ingredients and process on **speed 2** for 10 -15 seconds. Add some chopped fresh herbs for a fuller flavour. Store in a glass jar in the refrigerator for up to two weeks. Shake well just before use.





## Cakes, scones & biscuits



### CHOCOLATE HEAVEN CUPCAKES

Makes 12

**125g (4 oz) soft tub margarine or softened unsalted butter • 125 g (4 oz) caster sugar • 2 large eggs • 125 g (4 oz) self raising flour • 1 level tsp baking powder • 1/2 teaspoon vanilla extract • about 2 tbsp milk**

#### **For the chocolate topping**

**175 g (6 oz) Belgian milk chocolate • 75 g (3 oz) coarsely grated white chocolate or milk chocolate curls**

Line a 12 hole muffin tin with muffin cases. Use the **plastic kneader** and add the margarine or butter cut into pieces, sugar, eggs, flour, baking powder and vanilla extract. Process on **speed 2** for 20 seconds or until well blended. Use pulse while adding sufficient milk down the feed tube to make a soft, dropping consistency. Using a tablespoon, divide the mixture evenly between the 12 muffin cases. Bake in a preheated oven at 180°C/350°F (Fan oven 170°C), Gas mark 4 for 15 – 20 min or until firm to the touch. Leave to cool on a wire rack.

Break up the chocolate and melt in a microwave or in a bowl over a pan of simmering water. Coat the top of each cupcake with the melted chocolate and sprinkle over the white grated chocolate or chocolate curls. Leave to set before serving.

**Try this:** *Instead of chocolate, top with glacé icing or use packet instant royal icing, then decorate with glacé cherries, small sweets or cake decorations.*

### APPLE SPICE CAKE

Makes a 20 cm (8 inch) cake

**225 g (8 oz) soft tub margarine or softened butter, cut into pieces • 225 g (8 oz) caster sugar • 4 eggs • 200 g (7 oz) self raising flour • 1/2 tsp ground cinnamon • 1/2 tsp ground mixed spice • 50 g (2 oz) ground almonds • 1 tsp vanilla extract • 2 dessert apples, such as Braeburn**

#### **For the topping:**

**2 tbsp demerara sugar • 1/2 tsp ground cinnamon • 1/2 tsp ground mixed spice**

#### **For the filling:**

**142 ml pot whipped double cream or 200 ml crème fraiche • jar of smooth apple sauce or puréed apple**

Grease and line two deep 20 cm (8 in) deep sandwich tins. Peel, quarter and core the apples. Thinly slice half an apple for the topping and set aside. Fit the **metal blade** and roughly chop the remaining apple using **speed 2**. Set aside and clean the bowl.

Use the **plastic kneader** and place the fat, sugar, eggs, flour, spices, ground almonds and vanilla extract in the bowl. Process on **speed 2** for 15 seconds or until well blended. Add the chopped apple and process using Pulse in short bursts until mixed. Divide the mixture between the tins and smooth the tops. Toss the apple slices in the demerara sugar and spices then arrange on top of one cake. Bake in a preheated oven at 180°C/350°F (Fan oven 170°C), Gas mark 4 for 25 – 30 min or until firm to the touch. Turn out and leave to cool. Sandwich the cake together with a layer of apple and the whipped cream or crème fraiche. Best eaten on the day of making.

**For a Victoria Sandwich Cake,** use 225 g (8 oz) soft margarine or softened butter, 225 g (8 oz) caster sugar, 4 eggs, 225 g (8 oz) self raising flour and 1 teaspoon vanilla extract. Use the plastic kneader and process on **speed 2** for about 20 seconds. Divide between 2 x 20 cm (8 in) sandwich tins and bake as instructed above. Fill with jam and vanilla buttercream icing.

**For a Chocolate Cake,** use the Victoria Sandwich recipe and substitute 225 g (8 oz) self raising flour with 210 g (7 1/2 oz) self raising flour and 15 g (1/2 oz) sieved cocoa powder. Fill with chocolate or vanilla buttercream icing.

### FARMHOUSE FRUIT CAKE

Makes a 20 cm (8 inch) cake

**150 g (5 oz) softened butter or soft tub margarine • 150 g (5 oz) caster sugar • 2 medium size eggs • 225 g (8 oz) self raising flour • 1 tsp ground mixed spice • finely grated rind of 1 orange • 2 tbsp juice from orange • 2 tbsp milk • 250 g (9 oz) mixed dried fruit**

Place the dried fruit in a bowl, cover with boiling water and leave to soak for 30 minutes. Drain and dry the fruit well. Place all the ingredients, except the dried fruit, in the bowl with the **plastic kneader**. Process on **speed 2** for 15 seconds or until well blended. Add the dried fruit and process using Pulse in short bursts until mixed. Place the mixture in a lined 20 cm (8 in) round cake tin and smooth the top. Bake in a preheated oven at 150°C/300°F (Fan oven 140°C), Gas mark 2 for about 1 1/2 - 2 hours, or until a skewer inserted in the cake comes out with no uncooked mixture attached. Leave to cool slightly in the tin before turning out.





## ALMOND SHORTBREAD BISCUITS

Makes about 16

**50g (2 oz) caster sugar • 120g (4½ oz) plain flour • 85g (3oz) ground almonds • 85g (3oz) softened butter, straight from the fridge • 1 egg yolk**

Fit the **plastic kneader**. Add the sugar, flour and almonds. Cut the butter into pieces and add to the bowl. Process on **speed 2** for 10 seconds until the mixture is like fine breadcrumbs. Add the egg yolk and process for on **speed 2** for about 15-20 seconds until mixed. Turn the mixture onto a floured surface and press together with your fingertips to form a smooth ball. Roll out to about 3 mm (1/8 inch) thickness. Cut out rounds using a 7 cm (3 inch) cutter. Place on non-stick baking trays and bake in a preheated oven at 180°C/350°F (Fan oven 170°C), Gas mark 4 for 12-15 minutes until a light golden brown. Cool slightly before transferring to a wire rack.



## DEVON SCONES WITH WHIPPED CREAM

Makes about 6 - 8

**225 g (8 oz) self raising flour • 2.5 ml (½ tsp) cream of tartar • 2.5 ml (½ tsp) baking powder • pinch of salt • 15 g (½ oz) caster sugar • 50g (2 oz) butter, straight from the fridge cut into cubes • 1 medium size egg • about 75 ml (3 fl oz) milk**

### *For the whipped cream*

**284 ml carton whipped cream • 1 tsp caster sugar • jam and butter, to serve**

Place the flour, cream of tartar, baking powder, salt and sugar in the bowl with the **plastic kneader**. Process briefly to mix. Add the butter and process on **speed 2** for 10-15 seconds, until the mixture resembles breadcrumbs. Beat the egg and milk together in jug. With the machine still running, add the egg mixture through the feed tube, and process for a few seconds until it binds together. Take care not to over process. Tip out onto a lightly floured surface and lightly knead into a smooth ball. Roll out to about 2 cm (¾ inch) thickness. Cut into rounds using a 5 cm (2 inch) cutter. Place on a greased baking tray and brush the tops with milk. Bake in a preheated oven at 200°C/400°F (Fan oven 190°C), Gas mark 6 for about 10 -15 minutes until risen and golden brown. Leave to cool.

To whip the cream, fit the **whisk** in the bowl. Add the cream and sugar. Process on **speed 1** for about 1 minute. Stop frequently to check on the consistency to avoid over whipping. Serve the scones split and buttered with whipped cream and jam.

**Try this:** Add 25 g (1 oz) glacé cherries and 1 teaspoon ground ginger to the dry ingredients to make Cherry and Ginger Scones.

**For Cheese Scones** omit the sugar and add 50 (2 oz) mature cheddar cheese grated using the fine grating disc (H) plus a pinch of dry mustard powder.



# Pastry, batters and bread

## PANCAKE BATTER

Makes about 20 large pancakes

**4 eggs • 750 ml (1¼ pt) milk • 100 ml (7 tbsp) sunflower oil • 40 g (1½ oz) caster sugar • pinch of salt • 375 g (13 oz) plain flour**

Place the eggs, milk, oil, sugar, and salt in the **liquidiser**. Remove the stopper from the lid. Blend on **speed 2** for a few seconds. With the machine still running, spoon the flour through the hole in the lid and process for 1½ minutes. Stop and scrape down the sides with a spatula if necessary. Leave the batter to stand for at least an hour before cooking the pancakes.

**Try this:** For Yorkshire pudding batter or a smaller quantity of pancake batter, place 1 egg and 300ml (½ pt) milk in the **liquidiser**. Process on **speed 2** for 20 seconds. With the machine still running, spoon 100g (4 oz) plain flour through the hole in the lid and process on **speed 2** until well mixed. Leave the batter to stand for 1 hour. After standing the consistency may thicken and need adjusting with more liquid.

**For a Coating or Fritter batter** prepare in the same way as the Yorkshire pudding batter but only use 150 ml (¼ pt) milk instead of 300 ml. When making fritters a lighter texture batter can be obtained by using beer, lager or cider instead of milk.





## RUSTIC WHITE BREAD

This recipe makes one loaf or 8 -10 rolls

**For 800 g (1¾ lb) of white bread dough:** 500 g (1lb 2oz) strong white bread flour • 10ml (2 tsp) Easybake or Fast Action dried yeast • 5 ml (1 tsp) salt • 2.5 ml (½ tsp) sugar • 10 ml (2 tsp) vegetable oil • 300 ml (½ pt) warm water (1 part boiling water to 2 parts cold) • milk, to glaze • poppy seeds, sesame seeds or coarse oatmeal (optional)

Grease and warm sufficient baking sheets. Fit the **plastic kneader**. Place the flour, yeast, salt, sugar and oil in the bowl. Select **speed 2** and mix together for a few seconds then, with the machine running, add the warm water through the feed tube. Process for about a further 40 seconds until the dough forms a ball. On a lightly floured surface, knead by hand until smooth.

If making a loaf, shape into a ball and place on a greased baking tray or use a 900 g (2 lb) loaf tin. If making rolls, cut the dough into 8 - 10 pieces, knead each piece and shape into balls. Place on the greased baking sheets, leaving space between the rolls for them to expand. Loosely cover the shaped dough with oiled polythene. Leave to rise in a warm place, such as an airing cupboard, for about 1 hour or until doubled in size. Slash the top of the loaf with a sharp knife. For a crisp crust, brush with a little milk and scatter with seeds.

Bake in a preheated oven at 220°C/425°F (Fan oven 210°C), Gas mark 7 for 15 - 20 minutes for rolls. For the loaf, bake for 20 minutes and then reduce to 180°C/350°F (Fan oven 170°C), Gas mark 4 and bake for a further 15 minutes. To test, tap the base of the bread and it should sound hollow. Remove from the trays and cool on a wire rack.

*Try this:* For Wholemeal Bread use strong wholemeal bread flour, or half strong wholemeal bread flour and half strong white bread flour, plus increase the warm water to 325 ml (11 fl oz). For Brown Bread use the same quantities in the recipe above, but substitute strong brown bread flour for strong white bread flour.



## SHORTCRUST PASTRY

**For 350 g of pastry**

200g (8 oz) plain flour • 50 g (2 oz) block margarine, straight from the fridge • 50 g (2 oz) lard, straight from the fridge • 5 ml (1 tsp) salt • about 50 ml (3 tbs) cold water

Fit the **plastic kneader**. Put the flour and salt in the bowl. Process for a few seconds on **speed 2** to mix. Cut the fat into pieces and add to the bowl. Process on **speed 2** for about 15 seconds until the mixture resembles fine breadcrumbs. Pour the water through the feeder tube while the processor is running and process for about 10 seconds until the dough just forms a ball. Remove and knead lightly until smooth. Wrap the pastry in cling film or foil, and chill for at least 30 minutes before using. Use to make pies, flans, fruit tarts and jam tarts.

*Try this:* If preferred you can use 100 g (4 oz) block margarine instead of margarine and lard.



## Drinks

### STRAWBERRY SMOOTHIE

Serves 4



300 g (11 oz) fresh strawberries, hulled • 600 ml (1 pt) chilled milk • 20 ml (4 teaspoon) icing sugar - add more if the strawberries lack sweetness • 4 scoops vanilla ice-cream

Place all the ingredients in the **liquidiser** and process on **speed 1** for a few seconds and then increase to speed 2 for 1 minute. Serve immediately in tall glasses, decorate with one or two whole fresh strawberries threaded onto a cocktail stick.

*Try this:* For a *Banana Smoothie* use 3 ripe bananas, 750 ml (1¼ pt) chilled milk, 3 scoops vanilla ice cream and 2-3 tablespoons icing sugar, depending on the ripeness of the bananas. Process on **speed 2** for 1 minute.

*For a Chocolate Milkshake* use 500 ml (18 fl oz) chilled milk, 2 tablespoons drinking chocolate and 2 scoops vanilla ice-cream. Process on speed 2 for 1 minute.

### SUMMER COCKTAIL

Serves 4-6



1 banana • 2 slices fresh pineapple • 10 strawberries or 10 raspberries • 2 ice cubes • 1 tbs caster sugar • 300 ml (½ pt) orange juice • 2 glasses of chilled sparkling water

Place all the ingredients in the **liquidiser**, except the sparkling water. Blend on **speed 2** for 30 seconds. Add the sparkling water and process for 1 minute. Serve immediately.



## Free Manuals Download Website

<http://myh66.com>

<http://usermanuals.us>

<http://www.somanuals.com>

<http://www.4manuals.cc>

<http://www.manual-lib.com>

<http://www.404manual.com>

<http://www.luxmanual.com>

<http://aubethermostatmanual.com>

Golf course search by state

<http://golfingnear.com>

Email search by domain

<http://emailbydomain.com>

Auto manuals search

<http://auto.somanuals.com>

TV manuals search

<http://tv.somanuals.com>