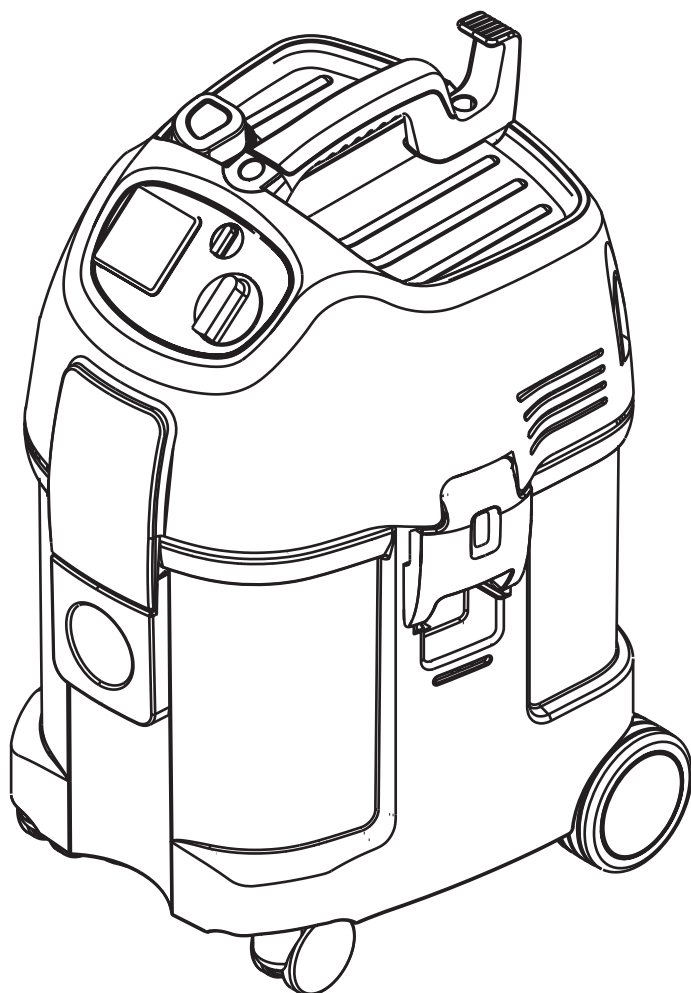




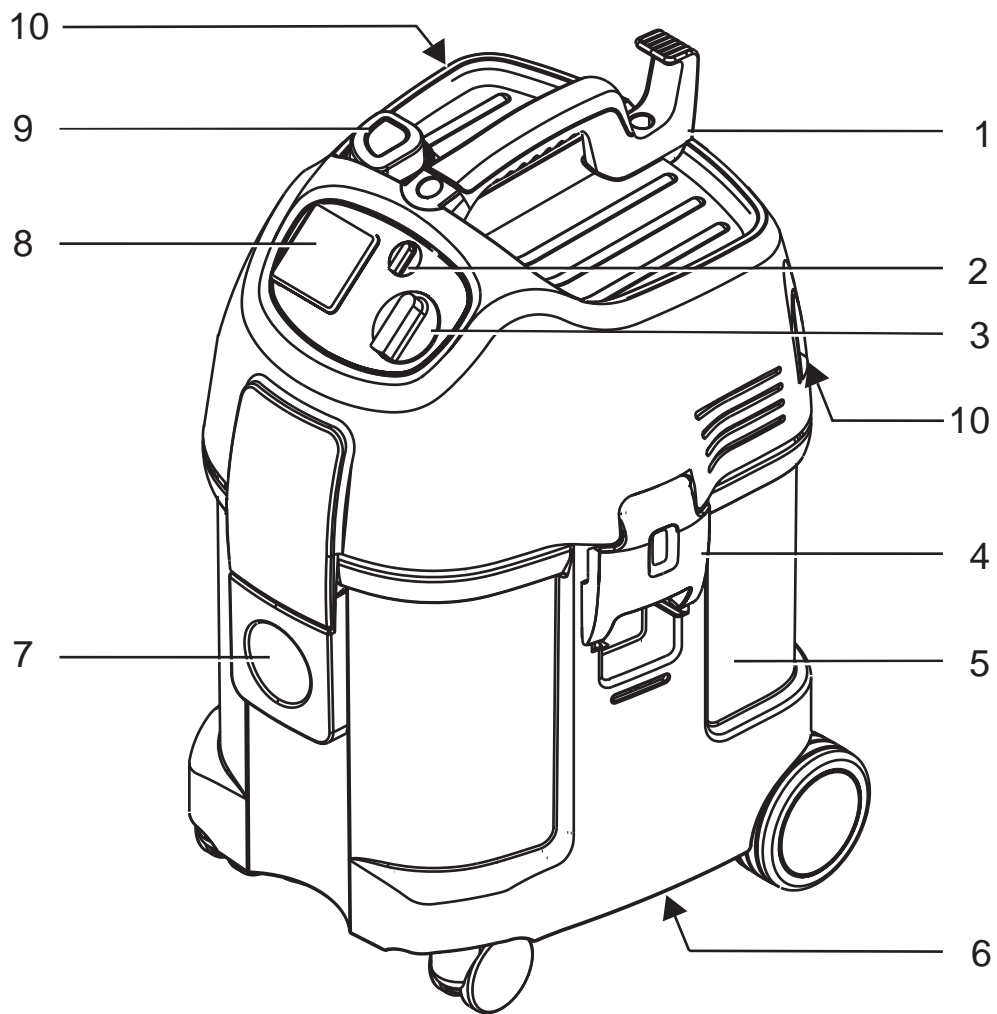
ATTIX 8 GALLON ATTIX 8 GALLON AS/E



Nilfisk
ALTO
Why Compromise

| | |
|-----------------------------|----|
| Operating instructions..... | 3 |
| Notice d'utilisation | 16 |

Wap
KEW
TECHNOLOGIES



Contents

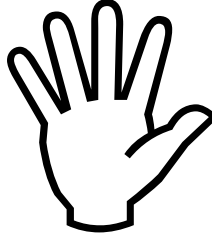
| | | |
|---|--|----|
| Symbols used to mark instructions | | 4 |
| 1 Important safety instructions | | 4 |
| 2 Description | 2.1 Purpose | 6 |
| | 2.2 Operating elements | 6 |
| 3 Before starting the vacuum cleaner | 3.1 Assembling the vacuum cleaner | 6 |
| 4 Operation | 4.1 Connections | 7 |
| | 4.1.1 Connecting the suction hose | 7 |
| | 4.1.2 Electrical connection | 7 |
| | 4.1.3 Connecting power tools | 7 |
| | 4.2 Switching on the vacuum cleaner | 8 |
| | 4.2.1 Switch position "I" | 8 |
| | 4.2.2 Switch position "auto" | 8 |
| | 4.2.3 Suction power control | 8 |
| | 4.3 Acoustic warning | 8 |
| | 4.4 Cleaning the filter element | 9 |
| 5 Applications and techniques | 5.1 Techniques | 9 |
| | 5.1.1 Picking up dry substances | 10 |
| | 5.1.2 Picking up liquids | 10 |
| 6 After finishing work | 6.1 Switching off the vacuum cleaner | 10 |
| 7 Maintenance | 7.1 Maintenance plan | 11 |
| | 7.2 Maintenance work | 11 |
| | 7.2.1 Emptying the dirt tank | 11 |
| | 7.2.2 Replacing the filter bag | 11 |
| | 7.2.3 Replacing the filter element | 12 |
| 8 Troubleshooting | | 13 |
| 9 Further information | 9.1 Recycling the vacuum cleaner | 14 |
| | 9.2 Guarantee | 14 |
| | 9.3 Tests and approvals | 14 |
| | 9.4 Technical data | 15 |
| | 9.5 Accessories | 15 |

english

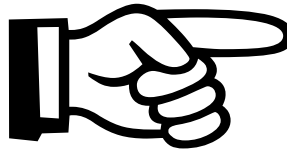
Symbols used to mark instructions



Safety instructions marked with this symbol must be observed to prevent danger to persons.



This symbol is used to mark safety instructions that must be observed to prevent damage to the vacuum cleaner and its performance.



This indicates tips and instructions to simplify work and to ensure safe operation.

1 Important safety instructions



General

The use of the vacuum cleaner is subject to valid national regulations.

The vacuum cleaner is suitable for commercial use, e.g. in hotels, schools, hospitals, factories, shops, offices and rental businesses.

Besides the operating instructions and the binding accident prevention regulations valid in the country of use, observe recognized regulations for safety and proper use.

Do not use any unsafe work techniques.

Hazardous dust

This vacuum cleaner is not suitable for removing hazardous dust.

Risk of fire and explosion



The following materials should not be sucked into the vacuum cleaner:

- hot materials (burning cigarettes, hot ashes, etc.)
- flammable, explosive, aggressive liquids (e.g. petrol, solvents, acids, alkalis, etc.)

For your own safety

Before using the vacuum cleaner, always read the operating instructions and keep them readily available.

Only allow the vacuum cleaner to be used by persons who have been trained in its use and who have been explicitly authorized to use it.

- flammable, explosive dust (e.g. magnesium or aluminium dust, etc.)

Appliance socket

Use the socket on the vacuum cleaner for the purpose defined in the operating instructions only.

Before plugging an appliance into the appliance socket:

1. Switch off the vacuum cleaner
2. Switch off the appliance to be connected.

CAUTION!

Follow the operating instructions and safety instructions for appliances connected to the appliance socket.

Before starting the vacuum cleaner

Before starting the vacuum cleaner, check that it is in proper condition. Plugs and couplings in power cords must at least have splash protection.

Regularly check whether the power cord is damaged or shows signs of aging. Use the vacuum cleaner only if the power cord is intact (risk of electrocution in case of damage).

Never use the vacuum cleaner if the filter element is damaged.

During use

Do not damage the power cord (e.g. by moving over it or pulling or squeezing it).

Disconnect the power cord by pulling the plug only (do not pull or tug the power cord).

CAUTION!

Before sucking in liquids, remove the filter bag and check the performance of the floater (see section 7.2.3).

When sucking in liquids, always use a filter element or filter screen (for order number see section 9.5 "Accessories"). If foam appears, stop work immediately and empty the tank.

Maintenance and repair

CAUTION!

Always pull out the mains plug before cleaning and servicing the vacuum cleaner.

Only carry out maintenance work described in the operating instructions.

CAUTION!

Use original Alto accessories and parts only. The use of other parts can adversely affect safety.

CAUTION!

Do not make technical modifications to the vacuum cleaner. They could endanger your safety.

For further maintenance or repair work and the replacement of a faulty power cord please contact the Alto service department or an authorized Alto workshop.

Electrical connections



Check the rated voltage of the vacuum cleaner before connecting it to the mains supply system. Ensure that the voltage shown on the rating plate corresponds to the voltage of the local mains power supply.

If you are using an extension cord, use only those specified by the manufacturer or higher quality ones (see section 9.4 "Technical data").

It is recommended that the vacuum cleaner is connected via a residual current circuit breaker. This device stops the supply of electricity if the leakage current to earth exceeds 30 mA for 30 ms or it has an earth tester circuit.

When using an extension cord, check the minimum cross-sections of the cable:

| Cable length m | Cross section mm ² |
|-------------------|----------------------------------|
| up to 20 | 1.5 |
| 20 to 50 | 2.5 |

Arrange the electrical parts (sockets, plugs and couplings) and lay down the extension cord so that protection class is maintained.

CAUTION!

Never spray water on to the upper section of the vacuum cleaner: danger for persons, risk of short-circuiting.

Observe the latest edition of the IEC regulations.

2 Description

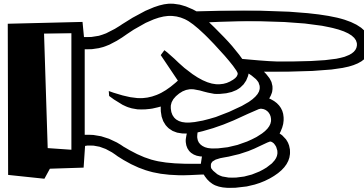
2.1 Purpose

When used properly, the industrial vacuum cleaners described in these instructions are suitable

for sucking up dry, non-flammable dusts and liquids.

2.2 Operating elements

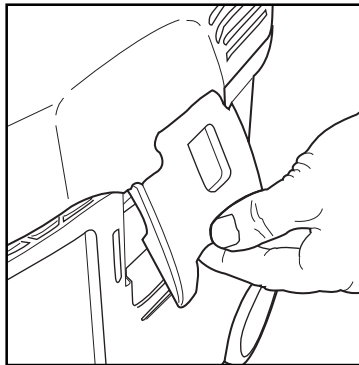
See fold-out page at front of these operating instructions.



- 1 Handle with cable hook
- 2 Suction hose diameter setting¹⁾
- 3 Appliance switch with suction power control¹⁾
- 4 Retaining clamp
- 5 Dirt tank
- 6 Grip to empty tank
- 7 Inlet fitting
- 8 Appliance socket¹⁾
- 9 Operating knob for filter cleaning¹⁾
- 10 Mounting for accessories

3 Before starting

3.1 Assembling the vacuum cleaner



1. Open the retaining clamps (4) and lift off the upper section of the cleaner.
2. Take the accessories out of the dirt tank and the packaging.
3. Place a filter bag into the tank as described in the instructions (printed on the filter bag).

CAUTION!

On delivery, the some of the accessories are lying in the tank and must be removed before the cleaner is used for the first time.

Remove the upper section of the cleaner:
The mains plug should not yet be inserted into a socket.

IMPORTANT!

Press the filter bag connection firmly on to the inlet fitting.

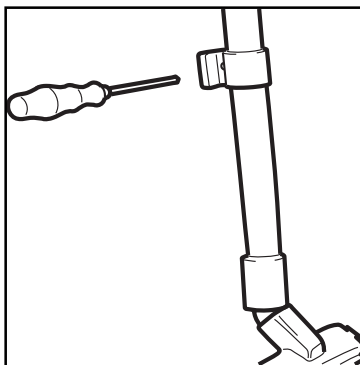
4. Fit the upper section of the cleaner and close the retaining clamps.

NOTE!

Ensure that the retaining clamps fit properly.

(continued -->)

¹⁾ Option depending on model

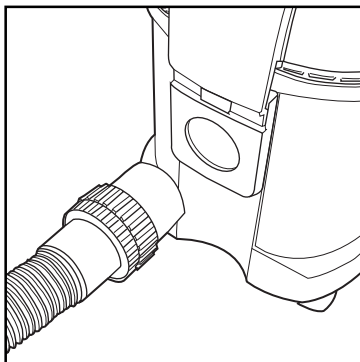


5. Fit the suction tube fastener about 20 cm from the edge of the lower extension tube as shown in the figure.

4 Operation

4.1 Connections

4.1.1 Connecting the suction hose



1. Connect the suction hose.

4.1.2 Electrical connection

The operating voltage shown on the rating plate must correspond to the voltage of the mains power supply.

1. **Ensure that the cleaner is switched off.**
2. Insert the power cord into a properly installed and fused socket with earthing contact.

4.1.3 Connecting power tools¹⁾

To comply with regulations, only approved dust producing tools should be connected.

The maximum power consumption of the connected power tool is stated in section 9.4 "Technical data".

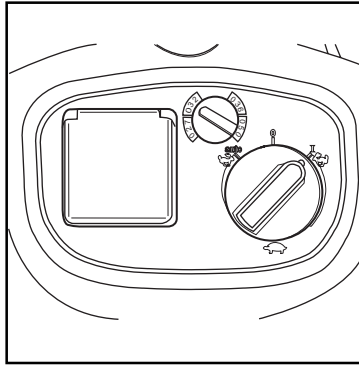
1. **Ensure that the power tool is switched off.**
2. Connect the power tool to the appliance socket¹⁾ on the control panel.

¹⁾ Option depending on model

english

4.2 Switching on the vacuum cleaner

4.2.1 Switch position "I"

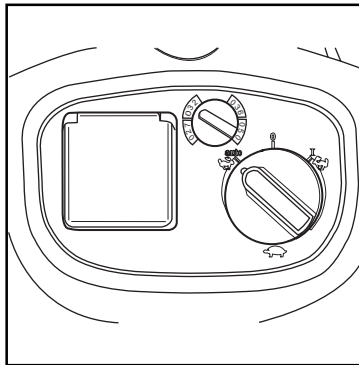


1. Turn the switch to position "I".
The vacuum cleaner motor starts.

Only ATTIX 8 GALLON AS/E:
The suction hose diameter must correspond to the suction hose diameter setting:

| Hose \varnothing | Hose diameter setting |
|-----------------------|--------------------------|
| $\varnothing 27$ | $\varnothing 27$ |
| $\varnothing 32$ | $\varnothing 32$ |
| $\varnothing 36$ | $\varnothing 36$ |
| $\varnothing 50$ | $\varnothing 50$ |

4.2.2 Switch position "auto"¹⁾



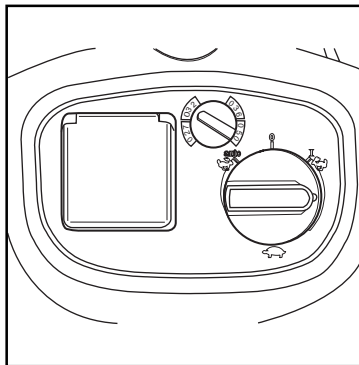
CAUTION!
Before switching the switch to position "auto"¹⁾, ensure that the power tool connected to the appliance socket is switched off.

1. Turn the switch to position "auto".
The vacuum cleaner motor starts when the connected power tool is switched on.
2. When the power tool is switched off, the vacuum cleaner continues to run for a short moment so that any dust in the suction hose is conveyed to the filter bag.

Only ATTIX 8 GALLON AS/E:
The suction hose diameter must correspond to the suction hose diameter setting:

| Hose \varnothing | Hose diameter setting |
|-----------------------|--------------------------|
| $\varnothing 27$ | $\varnothing 27$ |
| $\varnothing 32$ | $\varnothing 32$ |
| $\varnothing 36$ | $\varnothing 36$ |
| $\varnothing 50$ | $\varnothing 50$ |

4.2.3 Suction power control¹⁾



The motor speed and the suction power can be varied with the suction power control¹⁾. This allows precise adaptation of the suction power for different cleaning tasks.

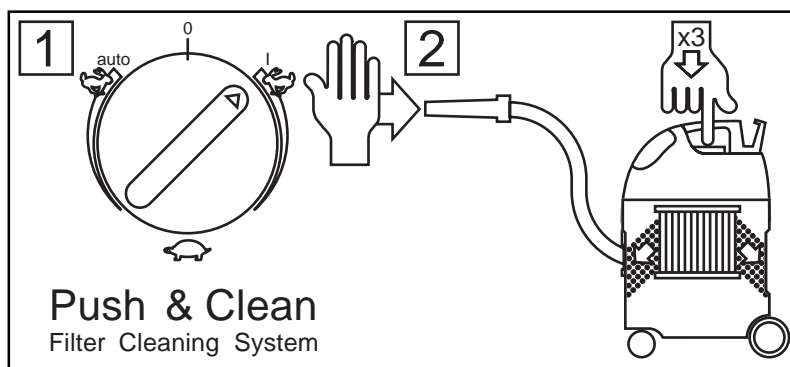
4.3 Acoustic warning¹⁾

If the air speed in the suction hose drops to below 20 m/s, an acoustic warning is emitted for

safety reasons. See section 8 "Troubleshooting".

¹⁾ Option depending on model

4.4 Cleaning the filter element¹⁾



Only after sucking up dusts without a filter bag.

If suction performance drops:

1. Close the nozzle or suction hose opening with the palm of your hand.
2. Press (3x) the operating knob for filter cleaning¹⁾. The resulting stream of air removes deposited dust from the slats of the filter elements.

5 Applications and techniques

5.1 Techniques

If used correctly, additional accessories (pictures and order nos., on fold-out page at front of these operating instructions), suction nozzles and suction hoses can enhance the cleaning action and reduce the cleaning effort.

Effective cleaning is achieved if you follow just a few guidelines in combination with your own practical experience in special fields.

Here are some basic tips.

¹⁾ Option depending on model

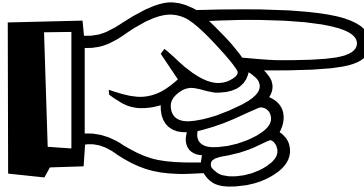
english

5.1.1 Picking up dry substances

CAUTION!
Do not pick up flammable substances.

Before picking up dry substances with max. workplace concentrations, always ensure that a filter bag is inserted in the tank (see section 9.5 "Accessories" for order number). Disposal of the picked up material is then simple and hygienic.

After picking up liquids, the filter element is wet. A damp filter element clogs more quickly when dry substances are picked up. For this reason the filter element should be washed and dried or replaced by a dry element before dry substances are picked up.



5.1.2 Picking up liquids

CAUTION!
Do not pick up flammable liquids.

Always remove the filter bag and check the floater before picking up liquids (see section 7.2.3 "Replacing the filter element").

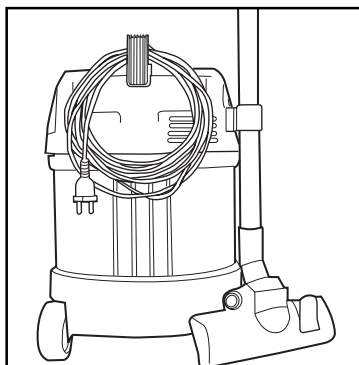
The use of a separate filter element or filter screen is recommended.

If foam appears, stop work immediately and empty the tank.

To reduce the amount of foam, use foam killer Alto Foam Stop (see section 9.5 "Accessories" for order number).

6 After finishing work

6.1 Switching the vacuum cleaner off and storage



1. Switch off the vacuum cleaner and pull the mains plug out of the socket.

2. Wind up the power cord and hang it on the handle.

3. Empty the tank and clean the vacuum cleaner.

4. After picking up liquids: Store the upper section of the cleaner separately so that the filter element can dry.

5. Store the cleaner in a dry room where it is protected from unauthorized use.

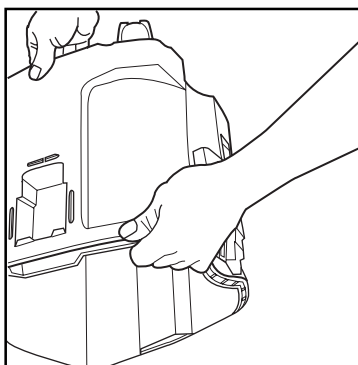
7 Maintenance

7.1 Maintenance plan

| | After work | As required |
|---|------------|-------------|
| 7.2.1 Emptying the dirt tank | ● | |
| 7.2.2 Replacing the filter bag | | ● |
| 7.2.3 Replacing the filter element | | ● |
| 7.2.4 Check suction hose and accessories for clogging, clean if necessary | | ● |

7.2 Maintenance work

7.2.1 Emptying the dirt tank



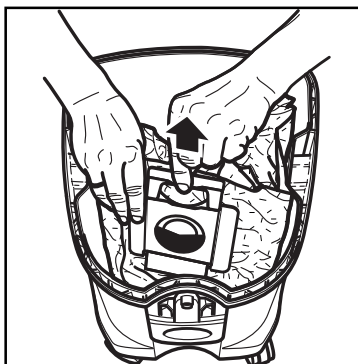
1. Remove the upper section of the cleaner from the dirt tank.

2. Hold the dirt tank at the grip underneath the tank and tip out the dirt.
3. Dispose of the dirt in accordance with legal regulations.
4. Clean the rim of the tank before fitting the upper section of cleaner.

Before reinserting the suction hose:

5. Clean the inlet fitting and hose collar.

7.2.2 Replacing the filter bag



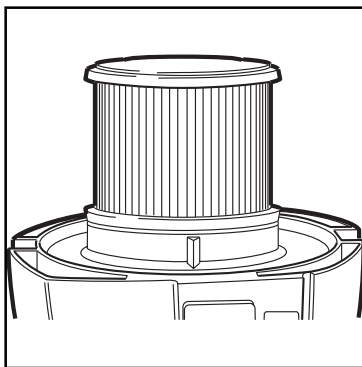
1. Remove the upper section of cleaner from the dirt tank.

2. Carefully remove the filter bag connection from the inlet fitting.
3. Close the filter bag connection with the slide.
4. Dispose of the filter bag in accordance with legal regulations.
5. Place a new filter bag into the clean tank as described in the instructions (printed on the filter bag).

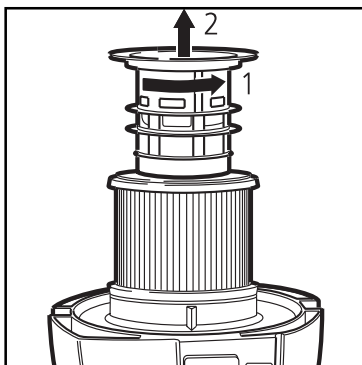
IMPORTANT!

Press the filter bag connection firmly on to the inlet fitting.

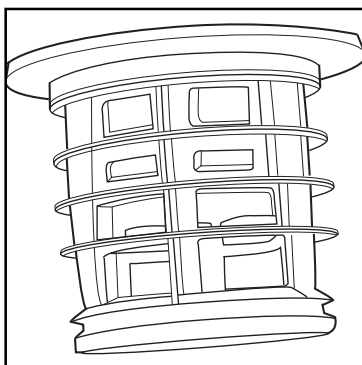
7.2.3 Replacing the filter element



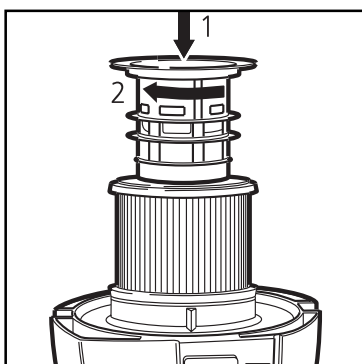
1. Remove the upper section of cleaner from the dirt tank and deposit with the filter element facing upwards.



2. Turn the filter holder anti-clockwise and remove it.
3. Carefully remove the filter element.



4. Fit a new filter element.
5. Check the floater (1) for proper operation:
When turning the filter holder, the floater should move back and forth easily.



6. Fit the filter holder and turn it clockwise to secure it.
7. Dispose of the used filter element in accordance with legal regulations.

CAUTION!
Never use the vacuum cleaner without a filter.

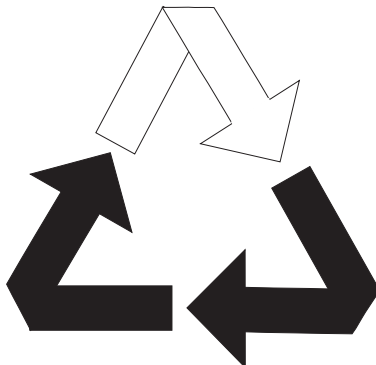
8 Troubleshooting

| Fault | Cause | Remedy |
|---|--|---|
| ‡ Motor does not start | <ul style="list-style-type: none"> > Fuse in mains plug has blown. > Overload protection switch has tripped. | <ul style="list-style-type: none"> • Reset the fuse. • Switch off the vacuum cleaner and allow it to cool for approx. 5 minutes. If it can not be started again, contact the Alto service department. |
| ‡ Motor does not run in automatic mode ¹⁾ | <ul style="list-style-type: none"> > Power tool is defective or not connected properly. | <ul style="list-style-type: none"> • Check that the power tool works or that the plug is inserted correctly. |
| ‡ Acoustic warning ¹⁾ is heard (reduced suction power) | <ul style="list-style-type: none"> > Suction power selected with suction power control¹⁾ is too low. > Hose diameter does not correspond to suction hose diameter setting. > Clogged suction hose/ nozzle. > Seal/tank rim between the upper section of the cleaner and the dirt tank is dirty/ defective. > Filter bag is full. > Filter element is clogged. | <ul style="list-style-type: none"> • Set suction power in accordance with section 4.2.3. "Suction power control". • Set suction hose diameter setting¹⁾ to correspond to hose diameter. • Clean suction hose/nozzle. • Clean/replace seal. • See section 7.2.2 "Replacing the filter bag". • See section 4.4 "Cleaning the filter element" and 7.2.3 "Replacing the filter element". |
| ‡ No suction power during wet cleaning | <ul style="list-style-type: none"> > Tank is full (floater closes the suction opening). | <ul style="list-style-type: none"> • Switch off the cleaner. Empty the tank. |
| ‡ Voltage fluctuations | <ul style="list-style-type: none"> > Impedance of power supply is too high. | <ul style="list-style-type: none"> • Connect the cleaner to another socket closer to the fuse box. Voltage fluctuations over 7 % should not occur if the impedance at the transfer point is $\leq 0.15 \Omega$. |

¹⁾ Option depending on model

9 Further information

9.1 Recycling the vacuum cleaner



Make the old cleaner unusable immediately.

1. Unplug the cleaner and cut the power cord.

The cleaner contains valuable materials that should be recycled. Therefore, make use of your local waste disposal site. Contact your local authorities or your nearest dealer for further information.

9.2 Guarantee

Our general conditions of business are applicable with regard to the guarantee. Subject to change as a result of technical advances.

9.3 Tests and approvals



The vacuum cleaner has been approved to Canadian Standards CAN/CSA-E 335-1/3E-94 and CAN/CSA-E 335-2-69-94.

9.4 Technical data

| | | US | CDN |
|---|----------------------|-----------------------|----------------------------|
| Voltage | Volt | 120 | 120 |
| Mains frequency | Hz | 60 | 60 |
| Power consumption | Watt | 1000 | 1000 |
| | | ATTIX 8 GALLON | ATTIX 8 GALLON AS/E |
| Connected load for appliance socket | Watt | 600 | 800 |
| Total connected load/fuse | Watt/amp | 1600/13 | 1800/15 |
| Volume flow (air) | ft ³ /min | 120 | 120 |
| Static water lift | max. in | 90 | 90 |
| Sound pressure level | dB(A) | 57 | 57 |
| Power cord length | ft | 22 | 22 |
| Protection class | | I | I |
| Type of protection (splash water protected) | | IP X4 | IP X4 |
| Radio interference suppression level | | EN 50081 | EN 50081 |
| Tank volume | gal | 8 | 8 |
| Width | in | 15 | 15 |
| Depth | in | 15 | 15 |
| Height | in | 22 | 22 |
| Weight | lb | 22 | 22 |

9.5 Accessories

| Name | Order No. |
|-------------------------|-------------|
| Filter bags (pack of 5) | 302 000 449 |
| Filter element | 302 000 490 |
| Filter screen | 15475 |
| Alto Foam STOP (6 x 1l) | 8469 |

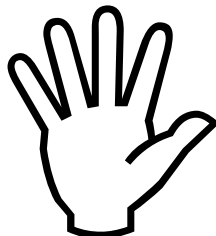
Sommaire

| | | |
|--|---|----|
| Symboles de mise en garde | | 17 |
| 1 Consignes de sécurité importantes | | 17 |
| 2 Description | 2.1 Affectation | 19 |
| | 2.2 Eléments de commande | 19 |
| 3 Avant la mise en service | 3.1 Assemblage de l'aspirateur | 19 |
| 4 Commande / Fonctionnement | 4.1 Connexions | 20 |
| | 4.1.1 Raccordement du tuyau flexible d'aspiration | 20 |
| | 4.1.2 Branchement électrique | 20 |
| | 4.1.3 Raccordement d'un appareil électrique ¹⁾ | 20 |
| | 4.2 Mise en marche de l'aspirateur | 21 |
| | 4.2.1 Position du commutateur "I" | 21 |
| | 4.2.2 Position du commutateur "auto" ¹⁾ | 21 |
| | 4.2.3 Réglage de la puissance d'aspiration ¹⁾ | 21 |
| | 4.3 Signal acoustique d'avertissement ¹⁾ | 21 |
| | 4.4 Dépoussiérage de la cartouche filtrante ¹⁾ | 22 |
| 5 Domaines d'utilisation et méthodes de travail | 5.1 Techniques de travail | 22 |
| | 5.1.1 Aspiration de matières sèches | 23 |
| | 5.1.2 Aspiration de liquides | 23 |
| 6 Après le travail | 6.1 Arrêt de l'aspirateur et rangement | 23 |
| 7 Maintenance | 7.1 Plan de maintenance | 24 |
| | 7.2 Travaux de maintenance | 24 |
| | 7.2.1 Vidage de la cuve à saletés | 24 |
| | 7.2.2 Remplacement du sac à poussières | 24 |
| | 7.2.3 Remplacement de la cartouche filtrante | 25 |
| 8 Suppression de dérangements | | 26 |
| 9 Divers | 9.1 Affectation de la machine au recyclage | 27 |
| | 9.2 Garantie | 27 |
| | 9.3 Contrôles et homologations | 27 |
| | 9.4 Caractéristiques techniques | 28 |
| | 9.5 Accessoires | 28 |

Symboles de mise en garde



Les consignes de sécurité dont l'inobservation peut mettre des personnes en danger sont marquées particulièrement par ce symbole de danger.



Vous trouverez ce symbole en face des consignes de sécurité dont l'inobservation peut engendrer des risques pour l'appareil et son fonctionnement.



Des conseils ou des indications qui facilitent le travail et pourvoient à la sécurité de fonctionnement figurant ici.

1 Consignes de sécurité importantes



Généralités

Le fonctionnement de l'aspirateur est soumis aux dispositions nationales en vigueur.

L'aspirateur convient à l'usage industriel, p. ex. dans des hôtels, écoles, hôpitaux, usines, magasins, bureaux et agences de location.

Outre la notice d'utilisation et les règlements en vigueur à observer obligatoirement dans le pays d'utilisation, il convient d'observer également les règles techniques admises pour l'exécution correcte des travaux en toute sécurité.

S'abstenir de toute méthode de travail douteuse en matière de sécurité.

Poussières insalubres

Cet aspirateur ne convient pas à l'aspiration de poussières insalubres.

Risque d'incendie et d'explosion



Il est interdit d'aspirer les matières suivantes:

- matières brûlantes (cigarettes incandescentes, cendres chaudes, etc.)
- liquides inflammables, explosifs ou agressifs (p. ex. essence, solvants, acides, bases, etc.)

Pour votre propre sécurité

Avant de mettre l'aspirateur en service, lisez absolument sa notice d'utilisation et conservez-la à portée de la main.

L'aspirateur doit être utilisé uniquement par des personnes qui ont été initiées à son manie-ment et expressément chargées de s'en servir.

français

- poussières inflammables, explosives (p. ex. poussière de magnésium, d'aluminium, etc.)

Prise intégrée

N'utilisez la prise intégrée qu'aux fins spécifiées dans la notice d'utilisation.

Avant de brancher un appareil dans la prise intégrée:

1. arrêtez l'aspirateur
2. arrêtez l'appareil à raccorder.

ATTENTION!

La notice d'utilisation des appareils raccordés à la prise intégrée ainsi que les consignes de sécurité qu'elle contient sont à observer.

Avant la mise en service

Avant de mettre l'aspirateur en service, assurez-vous qu'il est dans l'état réglementaire. Les fiches et accouplements des cordons de branchement au secteur doivent être protégés au moins contre les projections d'eau.

Contrôlez régulièrement que le cordon de branchement au secteur ne présente pas de détériorations ni de signes de vieillissement. Ne mettez l'aspirateur en service que si son cordon est en parfait état (risque de choc électrique cas d'endommagement!).

N'aspirez jamais avec une cartouche filtrante endommagée.

Pendant le service

N'endommagez pas le cordon (p. ex. en passant dessus, en le tirant ou en l'écrasant). Saisissez toujours le cordon directement par la fiche pour le débrancher (ne le tirez pas et ne l'arrachez pas).

PRUDENCE!

Avant d'aspirer des liquides, enlevez le sac à poussières et vérifiez le fonctionnement du flotteur (voir paragraphe 7.2.3). Même lorsque vous aspirez des liquides, travaillez toujours avec une cartouche filtrante ou un tamis filtrant (voir n° de com. au paragraphe 9.5 "Accessoires"). Si de la mousse se forme, arrêtez immédiatement le travail et videz la cuve.

Maintenance et réparation

ATTENTION!

Débranchez systématiquement la fiche secteur avant le nettoyage et la maintenance de l'aspirateur.

Exécutez seulement les travaux de maintenance qui sont décrits dans cette notice.

ATTENTION!

Utilisez exclusivement des accessoires/pièces de rechange Alto originaux. L'emploi d'autres éléments peut compromettre la sécurité.

ATTENTION!

N'apportez pas de modifications techniques à l'aspirateur. Votre sécurité pourrait être mise en danger.

Pour des travaux de maintenance ou de réparation plus étendus, veuillez vous adresser au service après-vente d'Alto ou à un atelier spécialisé Alto agréé!

Electricité



Vérifiez la tension nominale de l'aspirateur avant de le brancher au secteur. Assurez-vous que la tension indiquée sur la plaque signalétique coïncide avec la tension secteur locale.

Si vous employez un câble de rallonge ou remplacez le cordon, utilisez uniquement le modèle indiqué par le fabricant ou un modèle supérieur (voir paragraphe 9.4 "Caractéristiques techniques").

Il est recommandé de raccorder l'aspirateur au moyen d'un disjoncteur de protection contre le courant de défaut qui coupe l'adduction lorsque le courant de fuite par rapport à la terre dépasse 30 mA pendant 30 ms ou il est muni d'un circuit de contrôle de la mise à la terre.

Si vous utilisez une rallonge, veillez à ce que le câble ait la section minimale requise:

| Longueur du câble m | Section mm ² |
|------------------------|----------------------------|
| jusqu'à 20 | 1,5 |
| 20 à 50 | 2,5 |

Choisissez l'agencement des composants qui conduisent le courant (prises, fiches et accouplements) et posez la rallonge de telle manière que la classe de protection soit conservée.

PRUDENCE!

Ne projetez jamais d'eau sur la partie supérieure de l'aspirateur: danger pour les personnes, risque de court-circuit.

La dernière édition des dispositions IEC est à observer!

2 Description

2.1 Affectation

S'ils sont utilisés conformément à leur destination, les aspirateurs industriels décrits dans

cette notice conviennent à l'aspiration de poussières sèches, inflammables et de liquides.

2.2 Éléments de commande

Voir l'illustration sur le volet au

début de cette notice d'utilisation.

- 1 Poignée avec crochet pour



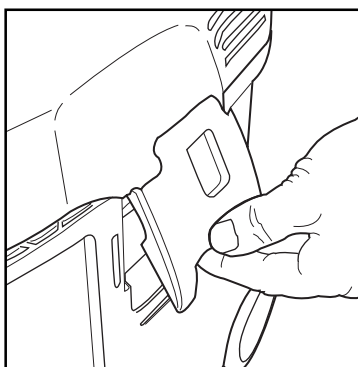
- le cordon
- 2 Bouton d'actionnement du dépoussiérage du filtre¹⁾
- 3 Commutateur de l'appareil

avec réglage de la puissance d'aspiration¹⁾

- 4 Crochet de fermeture
- 5 Cuve à saletés
- 6 Creux pour saisir et vider la cuve
- 7 Raccord d'admission
- 8 Prise intégrée¹⁾
- 9 Bouton de réglage du diamètre du tuyau flexible d'aspiration¹⁾
- 10 Support pour accessoires

3 Avant la mise en service

3.1 Assemblage de l'aspirateur



1. Ouvrez les crochets de fermeture (4) et déposez la partie supérieure de l'aspirateur.
2. Extrayez et déballez les accessoires de la cuve à saletés.
3. Introduisez le sac à poussières conformément aux instructions (imprimées sur le sac).

ATTENTION!

Les accessoires sont livrés dans la cuve et doivent en être extraits avant la première mise en service.

Pour cela, déposez la partie supérieure de l'aspirateur. La fiche secteur ne doit pas encore être branchée dans une prise de courant.

IMPORTANT!

Emboîtez vigoureusement le manchon du sac à poussières sur le raccord d'admission.

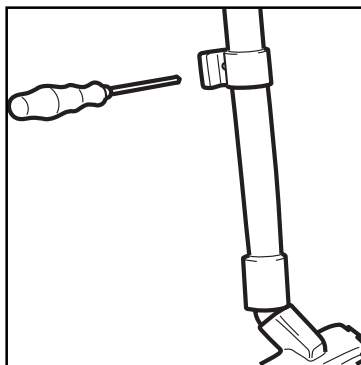
4. Remettez la partie supérieure de l'aspirateur et fermez les crochets.

REMARQUE!

Veillez à la bonne position des crochets de fermeture.

(suite -->)

¹⁾ Accessoire optionnel variantes de modèle

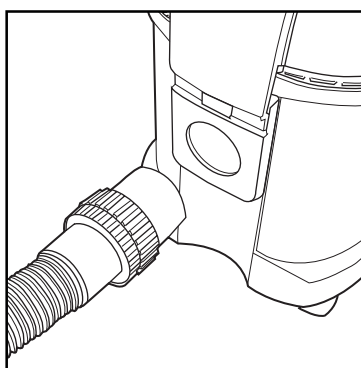


5. Montez le support du tuyau d'aspiration à une distance d'env. 20 cm de l'arête inférieure du tube de rallonge, tel qu'illustré.

4 Commande / Fonctionnement

4.1 Connexions

4.1.1 Raccordement du tuyau flexible d'aspiration



1. Raccordez le tuyau flexible d'aspiration.

4.1.2 Branchement électrique

La tension de service indiquée sur la plaque signalétique doit coïncider avec la tension du réseau de distribution.

1. **Veillez à ce que l'aspirateur soit arrêté.**
2. Branchez la fiche du cordon dans une prise de courant installée de façon réglementaire.

4.1.3 Raccordement d'un appareil électrique¹⁾

Conformément à la destination, il est permis de raccorder uniquement des appareils produisant de la poussière qui ont été

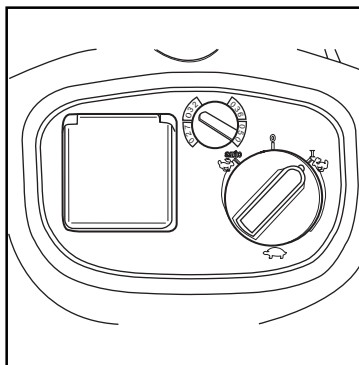
contrôlés au point de vue de la technologie des poussières. Puissance absorbée maximale de l'appareil électrique à raccorder: voir paragraphe 9.4 "Caractéristiques techniques".

1. **Veillez à ce que l'aspirateur soit arrêté.**
2. Raccordez l'appareil électrique à la prise intégrée¹⁾ située sur le tableau de commande.

¹⁾ Accessoire optionnel variantes de modèle

4.2 Mise en marche de l'aspirateur

4.2.1 Position du commutateur "I"



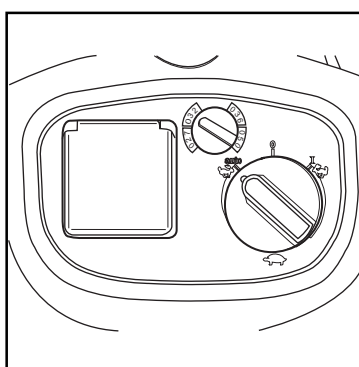
1. Tournez le commutateur de l'appareil sur la position "I". Le moteur d'aspiration démarre.

Seulement ATTIX 8 GALLON AS/E:

Le réglage doit correspondre au diamètre du tuyau flexible:

| Tuyau flex. \emptyset | Régl. du diamètre du tuyau flexible |
|-------------------------|-------------------------------------|
| $\emptyset 27$ | $\emptyset 27$ |
| $\emptyset 32$ | $\emptyset 32$ |
| $\emptyset 36$ | $\emptyset 36$ |
| $\emptyset 50$ | $\emptyset 50$ |

4.2.2 Position du commutateur "auto"¹⁾



Seulement ATTIX 8 GALLON AS/E:

Le réglage doit correspondre au diamètre du tuyau flexible:

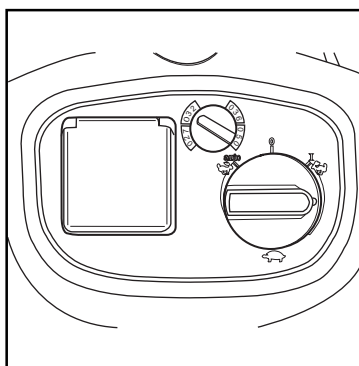
| Tuyau flex. \emptyset | Régl. du diamètre du tuyau flexible |
|-------------------------|-------------------------------------|
| $\emptyset 27$ | $\emptyset 27$ |
| $\emptyset 32$ | $\emptyset 32$ |
| $\emptyset 36$ | $\emptyset 36$ |
| $\emptyset 50$ | $\emptyset 50$ |

ATTENTION!

Avant de tourner le commutateur sur la position "auto", veillez à ce que l'appareil électrique raccordé soit arrêté.

1. Tournez le commutateur de l'appareil sur la position "auto"¹⁾. Le moteur d'aspiration démarre lorsque l'appareil électrique raccordé est mis en marche.
2. Après l'arrêt de l'appareil électrique, l'aspirateur marche encore un court instant pour refouler dans le sac la poussière qui se trouve dans le tuyau flexible d'aspiration.

4.2.3 Réglage de la puissance d'aspiration¹⁾



Vous pouvez varier le régime et, par là, la puissance d'aspiration¹⁾ au moyen du système de réglage de la puissance d'aspiration. Ceci vous permet d'adapter la puissance d'aspiration aux différents travaux.

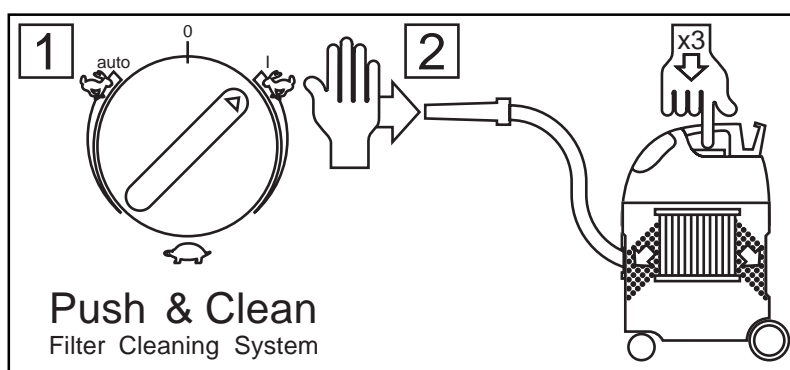
4.3 Signal acoustique d'avertissement¹⁾

Lorsque la vitesse de l'air est inférieure à 20 m/s dans le tuyau flexible d'aspiration, un signal acoustique d'avertissement retentit pour des raisons

de sécurité. Voir le paragraphe 8 "Suppression de dérangements".

¹⁾ Accessoire optionnel variantes de modèle

4.4 Dépoussiérage de la cartouche filtrante¹⁾



Uniquement après l'aspiration de poussières sans sac à poussière.

Si la puissance d'aspiration diminue:

1. Fermez l'orifice de la buse ou du tuyau flexible d'aspiration avec la paume de la main.
2. Appuyez 3 fois sur le bouton d'actionnement du dépoussiérage du filtre. Le courant d'air ainsi engendré entraîne la poussière qui s'est déposée sur les lamelles de la cartouche filtrante.



5 Domaines d'utilisation et méthodes de travail

5.1 Techniques de travail

Lorsqu'ils sont utilisés correctement, les accessoires complémentaires (illustrations et n° de commande, voir le volet au début de cette notice d'utilisation) les buses d'aspiration et les tuyaux flexibles peuvent renforcer l'effet de nettoyage et diminuer l'effort.

Vous obtiendrez un nettoyage efficace en observant quelques règles et en faisant appel à votre propre expérience dans des domaines spéciaux.

Vous trouverez ici quelques indications fondamentales.

¹⁾ Accessoire optionnel variantes de modèle

5.1.1 Aspiration de matières sèches

PRUDENCE!
N'aspirez pas de matières inflammables.



Avant d'aspirer des matières sèches, il est conseillé de toujours introduire le sac à poussières dans la cuve (voir n° de commande au paragraphe 9.5 "Accessoires"). La matière aspirée peut ainsi être éliminée facilement et de façon hygiénique.

Après l'aspiration de liquides, la cartouche filtrante est humide. Une cartouche humide s'en-crasse plus facilement lorsque vous aspirez des matières sèches. C'est pourquoi il faut auparavant rincer la cartouche et la laisser sécher ou la remplacer par une cartouche sèche.

5.1.2 Aspiration de liquides

PRUDENCE!
N'aspirez pas de liquides inflammables.

Il faut retirer systématiquement le sac à poussières et contrôler le bon fonctionnement du flotteur (voir paragraphe 7.2.3 "Remplacement de la cartouche filtrante") avant d'aspirer des liquides.

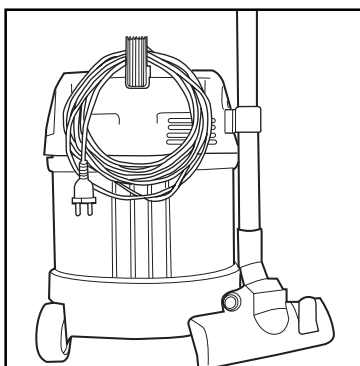
Il est conseillé d'utiliser une cartouche filtrante séparée ou un tamis filtrant.

Si de la mousse se forme, arrêtez immédiatement le travail et videz la cuve.

Pour réduire la formation de mousse, employez le produit anti-mousse Alto Foam Stop (voir n° de commande au paragraphe 9.5 "Accessoires").

6 Après le travail

6.1 Arrêt de l'aspirateur et rangement



1. Arrêtez l'aspirateur et débranchez sa fiche de la prise de courant.

2. Enroulez le cordon et accrochez-le à la poignée.

3. Videz la cuve, nettoyez l'aspirateur.

4. Après l'aspiration de liquides: entreposez séparément la partie supérieure de l'aspirateur pour que la cartouche filtrante puisse sécher.

5. Rangez l'aspirateur dans un local sec et protégez-le contre l'utilisation par des personnes non autorisées.

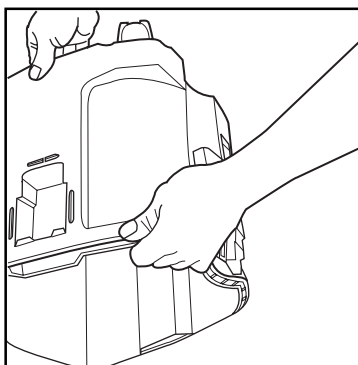
7 Maintenance

7.1 Plan de maintenance

| | Après le travail | Au besoin |
|--|------------------|-----------|
| 7.2.1 Vidage la cuve à saletés | ● | |
| 7.2.2 Remplacement du sac à poussières | | ● |
| 7.2.3 Remplacement de la cartouche filtrante | | ● |
| 7.2.4 Contrôlez, si le tuyau flexible et les accessoires sont obstrués, si nécessaire les nettoyer | | ● |

7.2 Travaux de maintenance

7.2.1 Vidage de la cuve à saletés



1. Séparez la partie supérieure de l'aspirateur et la cuve.

2. Saisissez la cuve d'une main par le creux ménagé dans la partie inférieure et déversez la matière aspirée.

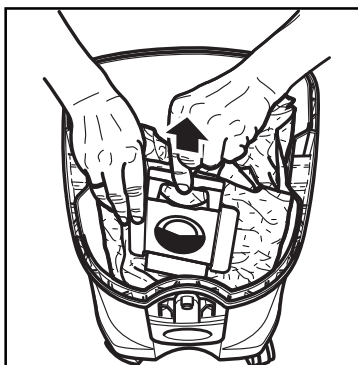
3. Éliminez la matière aspirée conformément aux dispositions légales.

4. Nettoyez le bord de la cuve avant de remettre la partie supérieure de l'aspirateur.

Avant la repose du tuyau flexible aspiration:

5. Nettoyez le raccord d'admission et le manchon du tuyau.

7.2.2 Remplacement du sac à poussières



1. Séparez la partie supérieure de l'aspirateur et la cuve.

2. Déboîtez avec précaution le manchon du sac à poussières sur le raccord d'admission.

3. Fermez le manchon du sac à poussières avec la coulisse.

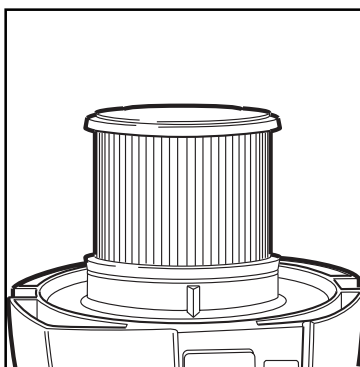
4. Éliminez le sac à poussières conformément aux dispositions légales.

5. Introduisez un sac à poussières neuf dans la cuve conformément aux instructions (imprimées sur le sac).

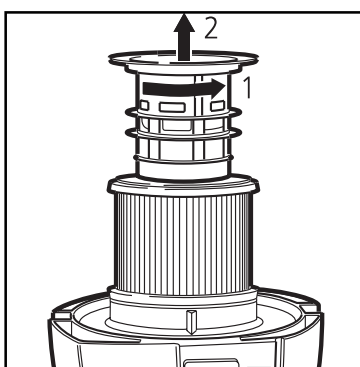
IMPORTANT!

Emboîtez vigoureusement le manchon du sac à poussières sur le raccord d'admission.

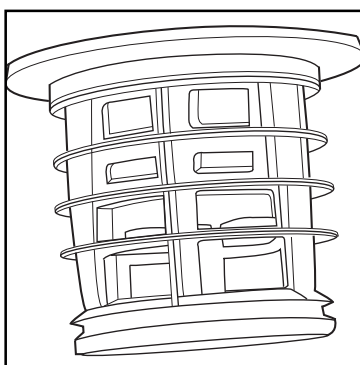
7.2.3 Remplacement de la cartouche filtrante



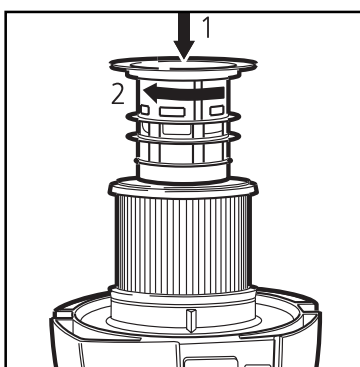
1. Séparez la partie supérieure de l'aspirateur et la cuve à saletés et déposez-la avec la cartouche filtrante en haut.



2. Tournez la corbeille de soutien du filtre contre le sens horaire et soulevez-la.
3. Extrayez la cartouche filtrante avec précaution.



4. Posez une cartouche neuve.
5. Contrôlez le fonctionnement du flotteur (1):
Le flotteur doit bouger librement en renversant la corbeille de soutien.



6. Remettez la corbeille de soutien du filtre et verrouillez-la à fond en tournant en sens horaire.
7. Éliminez la cartouche filtrante usée conformément aux dispositions légales.

ATTENTION !
N'aspirez jamais sans filtre!

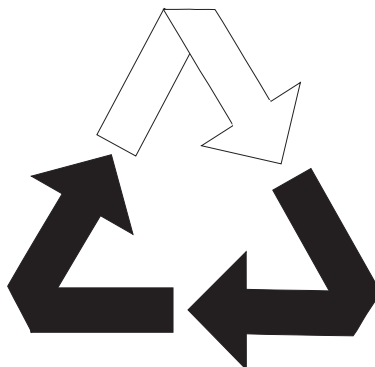
8 Suppression de dérangements

| Dérangement | Causes | Suppression |
|--|--|--|
| ‡ Le moteur ne marche pas | <ul style="list-style-type: none"> > Le fusible de la prise de raccordement a claqué. > Le disjoncteur de protection contre la surcharge a réagi. | <ul style="list-style-type: none"> • Réarmer le fusible. • Laisser refroidir l'aspirateur env. 5 minutes; s'il ne se remet pas en marche de lui-même, faire appel au service après-vente d'Alto. |
| ‡ Le moteur ne marche pas en service automatique | <ul style="list-style-type: none"> > Outil électrique défectueux ou fiche mal branchée. | <ul style="list-style-type: none"> • Contrôler le fonctionnement de l'outil électrique ou introduire fermement la fiche. |
| ‡ Retentissement du signal acoustique d'avertissement ¹⁾ (Puissance d'aspiration réduite) | <ul style="list-style-type: none"> > Réglage de la puissance d'aspiration réglée sur un régime trop bas. > Le diamètre du tuyau flexible ne correspond pas à la position du bouton. > Tuyau flexible d'aspiration bouché/buse obstruée. > Joint/bord de la cuve entre la partie supérieure de l'aspirateur et la cuve à saletés encrassé/défectueux. > Sac à poussières plein. > Cartouche filtrante colmatée. | <ul style="list-style-type: none"> • Régler la puissance d'aspiration conformément au paragraphe 4.2.3 "Réglage de la puissance d'aspiration". • Adapter la position du bouton de réglage du diamètre du tuyau flexible d'aspiration¹⁾. • Nettoyer le tuyau flexible d'aspiration/la buse. • Nettoyer/remplacer le joint. • Voir paragraphe 7.2.2 "Remplacement du sac à poussières". • Voir paragraphes 4.4 "Dépoussiérage de la cartouche filtrante" et 7.2.3 "Remplacement de la cartouche filtrante". |
| ‡ Pas de puissance lors de l'aspiration de liquides | <ul style="list-style-type: none"> > Cuve pleine (le flotteur ferme l'orifice d'aspiration). | <ul style="list-style-type: none"> • Arrêter l'appareil. Vider la cuve. |
| ‡ Fluctuations de tension | <ul style="list-style-type: none"> > Impédance trop importante de l'alimentation en tension. | <ul style="list-style-type: none"> • Brander l'appareil à une autre prise plus proche à la boîte de fusibles. Les fluctuations de tension supérieures à 7 % sont improbables, si l'impédance à l'interface est de $\leq 0,15 \Omega$. |

¹⁾ Accessoire optionnel variantes de modèle

9 Divers

9.1 Affectation de la machine au recyclage



Rendez immédiatement inutilisable l'appareil qui ne sert plus.

1. Débranchez la fiche secteur et sectionnez le cordon.

L'aspirateur contient des matières de valeur qui doivent être affectées au recyclage. Par conséquent, déposez-les à la déchetterie de votre commune responsable de l'élimination. Pour toutes questions, veuillez vous adresser à l'administration de votre commune ou au revendeur le plus proche.

9.2 Garantie

La garantie et les prestations couvertes sont régies par nos Conditions générales. Sous réserve de modifications impliquées par des innovations techniques.

9.3 Contrôles et homologations



L'aspirateur est homologué conformément à CAN/CSA-E 335-1/3E-94 et CAN/CSA-E 335-2-69-94.

9.4 Caractéristiques techniques

| | | US | CAN |
|---|-------------|----------------|---------------------|
| Tension | Volt | 120 | 120 |
| Fréquence du secteur | Hz | 60 | 60 |
| Puissance absorbée | Watt | 1000 | 1000 |
| | | ATTIX 8 GALLON | ATTIX 8 GALLON AS/E |
| Puissance connectée pour la prise intégrée | Watt | 600 | 800 |
| Puissance connectée totale/protection par fusible | Watt/A | 1600/13 | 1800/15 |
| Débit (air) | max. l/min. | 3400 | 3400 |
| Dépression | max. Pa | 23000 | 23000 |
| Sonore de la surface d | dB(A) | 57 | 57 |
| Longueur du cordon | m | 7,5 | 7,5 |
| Classe de protection | | I | I |
| Type de protection (protégé contre les projections d'eau) | | IP X4 | IP X4 |
| Antiparasitage | | EN 50081 | EN 50081 |
| Volume de la cuve | l | 26 | 26 |
| Largeur | mm | 380 | 380 |
| Profondeur | mm | 390 | 390 |
| Hauteur | mm | 570 | 570 |
| Poids | kg | 11 | 11 |

9.5 Accessoires

| Désignation | N° de commande |
|--|----------------|
| Sacs à poussières (unité d'emballage de 5 sacs) | 302 000 449 |
| Cartouche filtrante | 302 000 490 |
| Tamis filtrant | 15475 |
| Alto Foam STOP (6 x 1l) | 8469 |



INTERNET
http://www.alto-online.com

ALTO HEADQUARTERS

Incentive International A/S
Kongens Nytorv 28
P.O.Box 2064
1013 Copenhagen K
Tel.: +45 33 11 11 42
Fax: +45 33 93 46 36
E-mail: incentive@incentive-dk.com

SUBSIDIARIES

AUSTRALIA

ALTO Overseas Inc.
1B/8 Resolution Drive
P.O.Box 797
Caringbah, N.S.W. 2229
Tel.: +61 2 95 24 61 22
Fax: +61 2 95 24 52 56

AUSTRIA

ALTO Österreich GmbH
Metzgerstr. 68
5101 Bergheim/Salzburg
Tel.: +43 6624 5 64 00-14
Fax: +43 6624 5 64 00-55
E-mail: wap@salzburg.co.at

BRAZIL

Wap do Brasil Ltda.
Rua 25 de Agosto, 608
83323-260 Pinhais/Paraná
Tel.: +55 4 16 67 40 26
Fax: +55 4 16 67 47 99
E-mail: wap@wapltda.com.br

CANADA

ALTO Canada
24 Constellation Road
Rexdale
Ontario M9W 1K1
Tel.: +1 416 6 75 58 30
Fax: +1 416 6 75 69 89

CROATIA

Wap ALTO Strojevi za čišćenje, d.o.o.
Siget 18a
10020 Zagreb
Tel.: +385 1 65 54 144
Fax: +385 1 65 54 112
E-mail: admin.wap@wap-sistemi.hr

CZECH REPUBLIC

ALTO Česká Republika s.r.o.
Zateckých 9
14000 Praha 4
Tel.: +420 2 41 40 84 19
Fax: +420 2 41 40 84 39
E-mail: wap_p@mbox.vol.cz
Web: www.wap-alto.cz

DENMARK

ALTO Danmark A/S
Industrivarveret
9560 Hadsund
Tel.: +45 7218 21 00
Fax: +45 7218 21 05
E-mail: salg@alto-dk.com

ALTO Danmark A/S (food division)
Blytækervej 2
9000 Aalborg
Tel.: +45 7218 21 00
Fax: +45 7218 20 99
E-mail: scanio.technology@alto-dk.com

FRANCE

ALTO France S.A.
B.P. 44, 4 Place d'Ostwald
67036 Strasbourg Cedex 2
Tel.: +33 3 88 28 84 00
Fax: +33 3 88 30 05 00
E-mail: info@alto-fr.com

GERMANY

Wap ALTO Group
ALTO Deutschland GmbH
Guido-Oberdorfer-Straße 2-8
89287 Bellenberg
Tel.: +49 0180 5 37 37 37
Fax: +49 0180 5 37 37 38
E-mail: info@wap-online.de

GREAT BRITAIN

ALTO Cleaning Systems
(UK) Ltd.
Bowerbank Way
Gilwilly Industrial Estate, Penrith
Cumbria CA11 9BN
Tel.: +44 1 7 68 86 89 95
Fax: +44 1 7 68 86 47 13
E-mail: sales@alto-uk.com

JAPAN

ALTO Danmark A/S Japan
Representative Office
5-2, Sakyo 1-Chome
631-0801 Nara City
Tel.: +81 742 72 0555
Fax: +81 742 72 0555
E-mail: alto-jpn@nifty.com

NETHERLANDS

ALTO Nederland B.V.
Postbus 65
3370 AB Hardinxveld-
Giessendam
Tel.: +31 18 46 67 72 00
Fax +31 18 46 67 72 01
E-mail: info@alto-nl.com

NEW ZEALAND

ALTO Overseas Inc.
5A Tarndale Grove
Albany Auckland
Tel.: +64 9 414 4520
Fax: +64 9 414 4521
E-mail: altonz@ihug.co.nz

NORWAY

ALTO Norge A/S
Bjørnerudveien 24
1266 Oslo
Tel.: +47 22 75 17 70
Fax: +47 22 75 17 71
E-mail: info@alto-no.com

SINGAPORE

ALTO DEN-SIN Singapore Pte Ltd.
No. 17 Link Road
Singapore 619034
Tel.: +65 2 68 10 06
Fax: +65 2 68 49 16
E-mail: densin@singnet.com.sg
Web: www.densin.com

SLOVENIA

Wap ALTO čistilni sistemi, d.o.o.
Letališka 33
SLO-1110 Ljubljana
Tel.: +368 15 24 23 42
Fax: +368 15 40 42 94
E-mail: wap.prodaja@siol.com

SLOWAKIA

Wap ALTO čistiace systémy s.r.o.
Remeselnícka 42
83106 Bratislava-Rača
Tel.: +421 2 44 881 402
Fax: +421 2 44 881 395
E-mail: wap@gtinet.sk
Web: www.wap-alto.sk

SPAIN

ALTO Iberica S.L.
Calle de la Majada No. 4
28760 Tres Cantos - Madrid
Tel.: +34 91 8 04 62 56
Fax: +34 91 8 04 64 63
E-mail: info@alto-es.com

SWEDEN

ALTO Sverige AB
Aminogatan 18
431 04 Mölndal
Tel.: +46 3 17 06 73 00
Fax: +46 3 17 06 73 41
E-mail: info@alto-se.com

USA

ALTO U.S.Inc
16253 Swingley Ridge Road
Suite 200
Chesterfield, MO 63017-1544
Tel.: +1 636 5 30 08 71
Fax: +1 636 5 30 08 72
E-mail: info@alto-us.com

ALTO U.S.Inc
2100 Highway 265
Springdale, Arkansas 72764
Tel.: +1 479 7 50 10 00
Fax: +1 479 7 56 07 19
E-mail: info@alto-us.com

ALTO U.S.Inc
1100 Haskins Road
Bowling Green, Ohio 43402
Tel.: +1 419 3 52 75 11
Fax: +1 419 3 53 71 87
E-mail: info@alto-us.com

Free Manuals Download Website

<http://myh66.com>

<http://usermanuals.us>

<http://www.somanuals.com>

<http://www.4manuals.cc>

<http://www.manual-lib.com>

<http://www.404manual.com>

<http://www.luxmanual.com>

<http://aubethermostatmanual.com>

Golf course search by state

<http://golfingnear.com>

Email search by domain

<http://emailbydomain.com>

Auto manuals search

<http://auto.somanuals.com>

TV manuals search

<http://tv.somanuals.com>