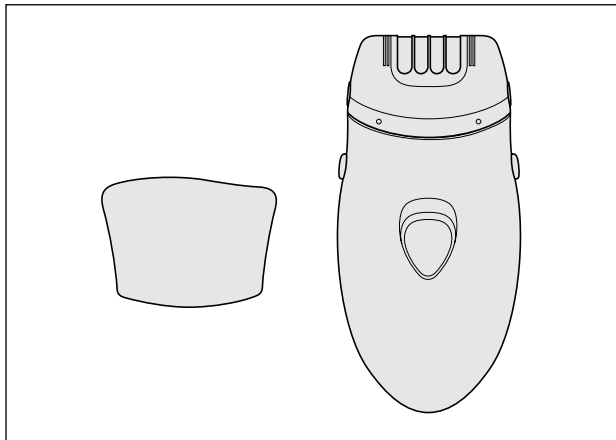


Panasonic®

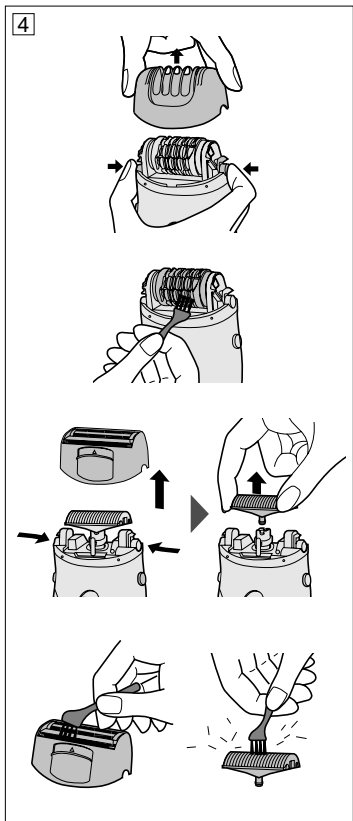
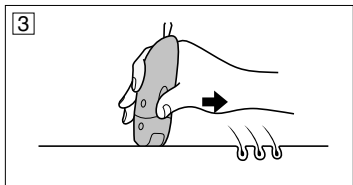
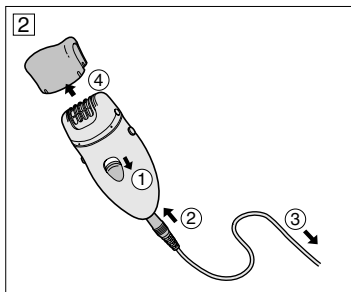
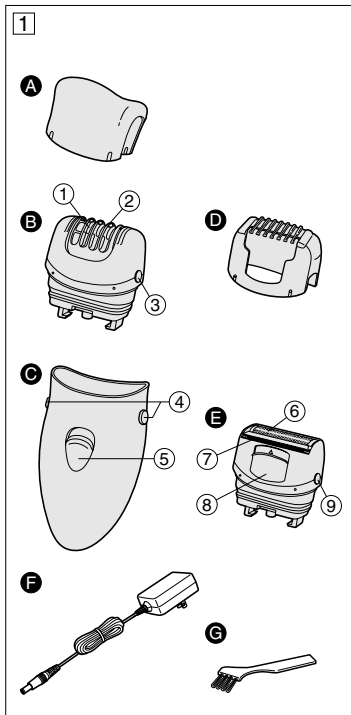
Epilator
Depiladora Eléctrica

Operating Instructions Instrucciones de operación

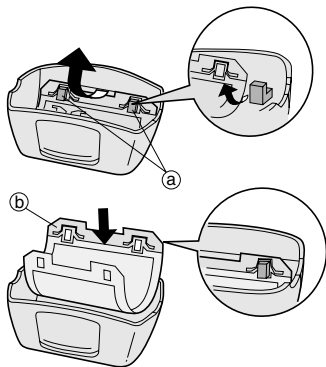
Model No./Modelo No.
ES2015



- Before operating this unit, please read these instructions completely, and save this manual for future use.
- Antes de utilizar esta unidad, por favor lea estas instrucciones completamente, y guarde este manual para uso futuro.



5



INDEX

ENGLISHPage 4

ESPAÑOLPagina 12

IMPORTANT SAFETY INSTRUCTIONS

When using an electrical appliance, basic precautions should always be followed,

including the following:
Read all instructions before using this appliance.

DANGER To reduce the risk of electric shock:

1. Do not reach for an appliance that has fallen into water. Unplug immediately.
2. Do not use while bathing or in a shower.
3. Do not place or store appliance where it can fall or be pulled into a tub or sink. Do not place in or drop into water or other liquid.
4. Always charge this appliance in a cool, dry place.
5. Unplug this appliance before cleaning.
6. Always unplug this appliance from the electrical outlet immediately after using.

WARNING To reduce the risk of burns, fire, electric shock, or injury to persons:

1. Do not use this appliance with damaged epilator/shaver heads as injury may occur.
2. An appliance should never be left unattended when plugged in.
3. Close supervision is necessary when this appliance is used by, on, or near children or invalids.
4. Use this appliance only for its intended use as described in this manual. Do not use attachments not recommended by the manufacturer.
5. Never operate this appliance if it has a damaged cord or plug, if it is not working properly, if it has been dropped or damaged, or dropped into water. Return the appliance to a service center for examination and repair.
6. Keep the cord away from heated surfaces.
7. Never drop or insert any object into any opening.
8. Do not use outdoors or operate where aerosol (spray) products are being used or where oxygen is being administered.
9. Always attach plug to appliance first, then to outlet. To disconnect, turn off the switch, then remove plug from outlet.

SAVE THESE INSTRUCTIONS

CAUTION

To reduce the risk of personal injury, follow these instructions:

1. Before use, check that the skin protector and epilation discs are not damaged or deformed.
Failure to do so can cause damage to the skin.
2. Insert the power cord securely into the appliance.
3. Make sure skin is clean before and after use.
Always wipe away perspiration and keep skin in a hygienic state, particularly in perspiration-prone areas such as the underarms where inflammation tends to occur more readily.
Failure to do so can cause infection and inflammation.
4. When beginning use of the appliance, allow your skin time to adjust by testing it gradually over a period of two to three days.
5. Discontinue if skin trouble continues for more than two days following treatment with the appliance.
Please consult a dermatology specialist in such instances.
6. Always turn off the power switch when exchanging epilation or shaver heads.
Failure to do so could cause finger injury, or hair to become entangled in the spinning gears, or damage to the appliance.
7. Be careful not to let clothing or hair, etc., come in contact with epilation discs.
Failure to do so could result in becoming entangled in the discs.
8. Never allow the appliance to come in contact with the hair on your head, eyelashes, ribbons, etc., when switched on.
Doing so can cause personal injury or mechanical malfunction.
9. When unplugging, do so by pulling on the plug, not on the cord.
Failure to do so could cause electric shock or short-circuiting.
10. Avoid dropping the appliance or allowing it to strike hard surfaces.
Doing so can cause personal injury or mechanical malfunction.



Prohibited!

- Do not use on facial or genital areas or surrounding regions, such as the groin, etc.
Doing so can cause damage to skin or inflammation.
- Do not use epilator head for your underarms or bikini-line.
Doing so can cause damage to skin or inflammation.
- Do not apply strong pressure to the skin, repeatedly rub over the same area, hold in one spot on the skin, or apply in a jabbing motion when using the appliance. When using the head with the appliance, do not keep it in constant contact with the skin while repeatedly moving it over the same area.
Doing so can cause damage to skin, inflammation or increased pain.

- Do not turn on the device without a epilator or shaver head attached.

Doing so could cause finger injury, entanglement of hair in the spinning gears, or mechanical malfunction.

- Do not use the appliance if any of the following conditions are present.

- Eczema, rashes or other skin conditions
- Allergic constitution or sensitive skin that reacts to cosmetics, clothing, metals, etc.

- Proneness to infections

- Varicose veins, diabetes, hemophilia, etc.

- Poor clotting of blood

Doing so can cause skin damage, sensitization, inflammation, bleeding, etc.

- Do not use near or on the following skin areas.

- Warts, pimples, bruises, rashes, wounds, or loose skin

Doing so can damage skin and cause inflammation or bleeding.

- Do not use under the following circumstances.

- Before or during menstruation, during pregnancy, or for about one month after giving birth

- When skin is sunburned

- When illness or signs of skin and other physical abnormalities are present

Doing so can sensitize skin and cause severe pain.

- Do not use in the following manner.

- Before or during a bath or shower

- Just before swimming in a pool or the ocean (use no less than two days prior)

- Shared use of the appliance with family or friends

- Just before intense exercise or sports activities

Doing so can result in bacteria entering skin via dilated pores due to

epilation and cause infection and inflammation.

- Do not use nail polish remover, benzene, alcohol, etc., to clean the appliance.

Doing so can cause mechanical malfunction.

- Do not leave the appliance in places where it will be exposed to high temperatures or direct contact with sunlight.

Doing so can cause mechanical malfunction.

Parts identification (Fig. 1)

- Ⓐ Protective cap (× 1)
- Ⓑ Epilation head for legs/arms
 - ① Epilation discs
 - ② Skin protector
 - ③ Frame release button
- Ⓒ Main body
 - ④ Head release button
 - ⑤ On/off switch
 - 0 = off
 - 1 = on
- Ⓓ Bikini Comb
- Ⓔ Shaver head
 - ⑥ Outer foil
 - ⑦ Trimmer
 - ⑧ Trimmer handle
 - ⑨ Frame release button

Ⓕ AC adaptor

Ⓖ Cleaning brush

BEFORE USING, PLEASE READ THE MANUAL CAREFULLY AND COMPLETELY.

General information about epilator

All methods of hair removal at the roots can lead to minor skin injuries and in-growing hairs. All micro-injuries caused by plucking hairs

may lead to inflammation through the penetration of bacteria into the skin. Thoroughly cleaning the epilator discs before each use minimizes the risk of infection.

Depending on the condition of your skin and hairs, you may experience some irritation (e.g. feeling of pain, skin reddening) when you start using the product and when removing hairs at root level. This is a normal reaction that will quickly disappear.

If, after 48 hours, your skin still shows irritations, we recommend you to contact your physician.

In general, the skin reactions and the sensation of pain tend to diminish considerably with repeated use.

If you have any doubts about using this appliance, please consult your physician.

In the following cases, this appliance should only be used after consultation with a physician.

- eczema, wounds, inflamed skin reactions such as folliculitis (purulent hair follicles) and varicose veins
- around moles
- reduced immunity of skin, e.g. diabetes mellitus, during pregnancy, Raynaud's disease
- hemophilia or immune deficiency

This product is designed to remove or shave hair on legs, arms, and sensitive areas like underarms or the bikini-line using the appropriate head depending on the needs.

When switched on, the appliance must never come in contact with

the hair on your head, eyelashes, ribbons or clothes, etc. to prevent any danger of injury as well as to prevent blockage or damage of the unit.

How to operate your epilator (Fig. 2)

Caution – The system outer foil is very thin and can be damaged if handled improperly. Before each use, always check the foil for damage. To avoid personal injury, do not use if the foil or other parts of the shaving head is damaged.

Check to see that the skin protector and discs are not damaged or deformed. If they are then please do not use the appliance.

Operating the epilator on AC power (Fig. 2)

- Attach the head you wish to use.
- Slide the on/off switch to the "0" position.
- Insert the power cord securely into the epilator.
- Plug the AC adaptor securely into an electrical outlet.
- Remove the cap.
- Slide the switch to the 1 position and carry out epilation or shaving.
- After completing epilation or shaving, slide the switch to the "0" position.
- Unplug the power cord from the electrical outlet and the appliance.

Correct usage for best epilation results

- **Apply epilator at right angles (90°) against your skin.** For best epilation results keep in contact with the skin surface. Press gently and guide the epilator slowly against hair growth. (Fig. 3)
- When the hair is long, it makes hair removal easier and reduces pain to trim the hair before epilation. Leg and arm hair should be shortened a length of 3 to 5 mm.
- Rub your skin to lift short hairs.
- Move the epilator slowly on the skin with the skin protector vertically touching.

Shaving

For legs and arms

It is helpful to use a shaver head with pre-epilation comb.

For underarms and bikini-line

It is helpful to use a shaver head 3 to 5 days before using the epilator.

Shaving

Before using, make sure the blade is not warped or damaged, as this may cause injury.

Apply the shaver head so that the whole blade is in close contact with the skin.

Press gently and guide the appliance slowly against hair growth. Applying with too much force prevents hairs from being guided to the blades so that some areas may be left unshaved.

Trimmer

It is helpful to use the trimmer only when you want to cut the long hair.

When the trimmer is up, apply the blade gently.

Shaving with pre-epilation comb

When the hair is long before epilation, we recommend you to use the shaver head with Bikini Comb.

Place the pre-epilation comb onto the shaver head, and slide trimmer up. When the pre-epilation comb is in place, make sure the comb is in close contact with the skin.

Further useful tips

- In the beginning, it is advisable to epilate in the evening so that any possible reddening can disappear overnight. When you feel pain or rash appears, cool the skin with cold towel.
- Hair is easier to remove after bathing or showering. But your skin must be completely dry!
- In order to prevent the risk of ingrowing hairs, we recommend the regular use of massage sponges, e.g. after showering, or exfoliation peelings.

Cleaning (Fig. 4)

Switch off and unplug the appliance before cleaning.

Cleaning of the epilation head

Push the frame release buttons and remove the frame.

Brush the frame.

While cleaning, you can turn the epilation discs manually.

Be careful not to break the skin protector when cleaning.

For disinfection of the epilation discs please use only pure alcohol.

Attention! Wipe the main body only with a damp cloth. The use of alcohol etc. may cause discoloration or deformation of the main body.

After cleaning, put the cap on the epilation head.

Cleaning of the shaver head

Push the frame release buttons and remove the frame.

Remove the inner blade by lifting straight up.

Clean with the brush.

Be careful not to apply too much force to the outer foil.

After cleaning, put the pre-epilation comb on the shaver head.

Replacing the outer foil of the shaver head (Fig. 5)

Never remove the outer foil for other reason than to change it.

Removing the outer foil

While pushing the outer foil gently with the fingers, use the fingernail to release the plastic panel **ⓑ** on the blade from the catches **Ⓐ** on the inside of the frame.

Fitting the new outer foil

Holding the outer foil so that the surface with the plastic panel **ⓑ** (i.e. the surface that will contact the inner blade) faces upward, insert into the frame so that the catches **Ⓐ** on the frame fit into the holes on the foil.

Safety precautions

- Use only the included adaptor RE7-41.
- Please use the appliance at a temperature of between 0~40°C.
- Always ensure the appliance is operated on an electric power source matched to its rated voltage.
- Never operate the appliance if the cord or adaptor are damaged or overly hot, or if the plug fits loosely in the power outlet.
- Keep the device away from sources of heat or flame.
- Do not allow the appliance to be used by, on, or near children.
- Do not allow the appliance to be used or left in the vicinity of sinks, bathrooms, or other high-humidity areas, where it could be exposed to water and moisture.
- Do not allow the appliance to be immersed in, splashed with, or rinsed under water.
- Do not modify the cord or damage it in any way such as by bending, twisting or pulling on it unnecessarily.
- Do not wrap the output cord tightly around the appliance.

- Regularly clean the cord connector, which plugs into the appliance, to keep it free of dust and foreign objects such as pins, etc.
- Replace the shaving foil and the inner blade when you notice a reduced shaving performance.
- A damaged or defective appliance should be returned to the customer service center or to an authorized customer service agent.
- Do not attempt to use a defective appliance or repair the appliance yourself. Disassembly and repair should only be carried out by a qualified technician.
- This adaptor is intended to be correctly oriented in a vertical or floor mount position.

Specifications

Power source: AC120V 60Hz

Weight:

120g (With epilation head)

115g (With shaver head)

Subject to change without notice.

This product is intended for house-hold use only.

READ ALL INSTRUCTIONS BEFORE USE

FOR YOUR CONVENIENCE, WE HAVE ESTABLISHED A TOLL-FREE (IN USA ONLY) NATIONAL ACCESSORY PURCHASE HOT LINE AT 1-800-338-0552.

INSTRUCCIONES DE SEGURIDAD IMPORTANTES

Cuando utiliza un aparato eléctrico, siempre se deben tomar precauciones básicas, incluyendo lo

siguiente:

Lea todas las instrucciones antes de utilizar el aparato.

PELIGRO

Para reducir el riesgo de descarga eléctrica:

1. No levante un aparato que cayó en el agua. Desenchúfelo inmediatamente.
2. No lo utilice mientras se baña o ducha.
3. No coloque ni guarde el aparato donde puede caerse o deslizarse en una tina o lavamanos. No lo coloque ni lo deje caer en el agua u otro líquido.
4. Siempre cargue este aparato en un lugar fresco y seco.
5. Desenchufe este aparato antes de limpiarlo.
6. Siempre desenchufe este aparato de la toma eléctrica inmediatamente después de utilizarlo.

ADVERTENCIA

Para reducir el riesgo de quemaduras, incendio, descarga eléctrica o lesiones a personas:

1. No utilice este aparato con cabezales de depilación/rasurador dañados ya que podrían producirse lesiones.
2. Nunca se debe dejar sin supervisión un aparato cuando está enchufado.
3. Es necesaria la supervisión directa cuando se utiliza este aparato en o cerca de niños y discapacitados o cuando ellos lo utilizan.
4. Utilice este aparato sólo para el uso previsto según se describe en este manual. No utilice accesorios no recomendados por el fabricante.
5. Nunca utilice este aparato si tiene un cable o enchufe dañado, si no funciona correctamente, si se cayó o daño, o si se cayó en el agua. Regrese el aparato a un centro de servicios de reparaciones para examinarlo y repararlo.
6. Mantenga el cable lejos de superficies calientes.
7. Nunca deje caer ni introduzca un objeto en ninguna abertura.
8. No lo utilice al aire libre, donde se utilizan productos en aerosol (spray) ni donde se está utilizando o administrando oxígeno.
9. Siempre coloque el enchufe en el aparato primero y luego en la toma eléctrica. Para desconectarlo, apague el interruptor y luego quite el enchufe de la toma eléctrica.

GUARDE ESTAS INSTRUCCIONES

PRECAUCIÓN

Para reducir el riesgo de lesiones corporales, siga estas instrucciones:

1. Antes de utilizarlo, verifique que el protector de piel y los discos de depilación no estén dañados ni deformados.
De lo contrario, se pueden producir daños en la piel.
2. Inserte bien el cable de alimentación en el aparato.
3. Asegúrese de que la piel esté limpia antes y después de utilizarlo. Siempre seque el sudor y mantenga la piel en un estado higiénico, especialmente en áreas propensas a sudar como en las axilas dónde hay una mayor tendencia a inflamación.
De lo contrario, el área se puede infectar e inflamar.
4. Cuando comience a utilizar el aparato, espere un tiempo para que su piel se adapte probándolo paulatinamente durante un período de dos o tres días.
5. Suspéndalo si continúan los problemas en la piel por más de dos días después del tratamiento con el aparato.
En dichos casos, consulte con un especialista en dermatología.
6. Siempre apague el interruptor de encendido cuando cambie los cabezales de depilación o rasurador.
De lo contrario, se podrían causar lesiones en los dedos, hacer que el cabello se enrede en los engranajes de rotación o dañar el aparato.
7. Tenga cuidado de no permitir que ropa o cabello, etc. entren en contacto con los discos de depilación.
De lo contrario, se podrían producir enredos en los discos.
8. Nunca permita que el aparato entre en contacto con el cabello, las pestañas, cintas, etc. cuando está encendido.
De lo contrario, se podrían producir lesiones corporales o un malfuncionamiento mecánico.
9. Cuando lo desenchufe, hágalo halando del enchufe y no del cable.
De lo contrario, se podría producir una descarga eléctrica o un corto circuito.
10. No deje caer el aparato ni permita que se golpee en superficies duras.
De lo contrario, se podrían producir lesiones corporales o un malfuncionamiento mecánico.



¡Prohibido!

- No lo utilice en el área facial o genital ni en zonas cercanas, como la ingle, etc.
De lo contrario, se puede dañar o inflamar la piel.
- No utilice el cabezal de depilación para sus axilas o línea del bikini.

De lo contrario, se puede dañar o inflamar la piel.

- Cuando utilice el aparato, no lo presione con fuerza sobre la piel, lo frote repetidamente en la misma área, lo sostenga en un lugar sobre la piel ni

lo aplique con movimientos punzantes. Cuando utilice el cabezal con el aparato, no lo mantenga en contacto continuo con la piel mientras lo mueve repetidamente sobre la misma área.

De lo contrario, se puede dañar o inflamar la piel o aumentar el dolor.

- No encienda el aparato sin adjuntar el cabezal de depilación o rasurador.

De lo contrario, podría causar lesiones en los dedos, hacer que el cabello se enrede en los engranajes de rotación o provocar un malfuncionamiento mecánico.

- No utilice el aparato si se presenta cualquiera de las siguientes enfermedades.

- Eczema, sarpullidos u otras enfermedades de la piel.
- Constitución alérgica o piel sensible que reacciona a cosméticos, ropa, metales, etc.
- Tendencia a infecciones
- Várices, diabetes, hemofilia, etc.
- Mala coagulación de la sangre

De lo contrario, se puede producir daños en la piel, sensibilidad, inflamación, hemorragia, etc.

- No lo utilice cerca de o en las siguientes áreas de la piel.

- Verrugas, granos, magulladuras, sarpullidos, heridas o piel suelta

De lo contrario, puede dañar la piel y producir inflamación o hemorragia.

- No lo utilice en las siguientes circunstancias.

- Antes o durante la menstruación, durante el embarazo o durante aproximadamente un mes después de dar a luz
- Cuando la piel está quemada por el sol
- Cuando se presentan enfermedades

u otras señales de anomalías de la piel u otras anomalías físicas.

De lo contrario, se puede sensibilizar la piel o producir un fuerte dolor.

- No lo utilice de la siguiente forma.
 - Antes o durante un baño o ducha
 - Justo antes de nadar en una piscina o en el océano (utilícelo no menos de dos días antes)
 - Uso compartido del aparato con la familia o amigos
 - Justo antes de ejercicio intenso o actividades deportivas

De lo contrario, se puede ocasionar el ingreso de bacterias en la piel a través de los poros debido a la depilación y producir infección e inflamación.

- No utilice quitaesmalte, bencina, alcohol, etc. para limpiar el aparato.

Hacerlo puede producir un malfuncionamiento mecánico.

- No deje el aparato en lugares donde quede expuesto a altas temperaturas o al contacto directo con la luz solar.

Hacerlo puede producir un malfuncionamiento mecánico.

Identificación de partes (Fig. 1)

- Ⓐ Tapa de protección (× 1)
- Ⓑ Cabezal de depilación para piernas/brazos
 - ① Discos de depilación
 - ② Protector de piel
 - ③ Botón de soltar el bastidor
- Ⓒ Cuerpo principal
 - ④ Botón de soltar el cabezal
 - ⑤ Interruptor de Encender/Apagar
 - 0 = apagar
 - 1 = encender
- Ⓓ Peine de bikini
- Ⓔ Cabezal rasurador
 - ⑥ Lámina exterior

- ⑦ Recortador
- ⑧ Mango del recortador
- ⑨ Botón de soltar el bastidor
- Ⓕ Adaptador de CA
- Ⓖ Cepillo de limpieza

ANTES DE UTILIZARLO, LEA TODO EL MANUAL CUIDADOSAMENTE.

Información general acerca de la depilación

Todos los métodos de extracción del vello desde la raíz pueden conllevar lesiones menores en la piel y vellos encarnados. Todas las micro lesiones originadas al arrancar vellos pueden producir inflamación a través de la penetración de bacterias en la piel. Limpiar profundamente los discos de depilación antes de cada uso minimiza el riesgo de infección.

Según la condición de su piel y vello, puede experimentar algo de irritación (por ejemplo sensación de dolor, piel rojiza) cuando comienza a usar el producto y a depilarse el vello desde la raíz. Ésta es una reacción normal que desaparecerá rápidamente.

Si, después de 48 horas, su piel todavía muestra irritaciones, le recomendamos que consulte a su médico.

En general, las reacciones de la piel y la sensación de dolor tienden a disminuir considerablemente con el uso constante.

Si tiene alguna duda acerca del uso de este aparato, consulte a su médico.

Este aparato sólo se debe utilizar en los siguientes casos después de consultar a un médico.

- eczema, heridas, piel inflamada, reacciones como foliculitis (foliculos de la piel purulentos) y várices

- alrededor de lunares
- inmunidad reducida de la piel, por ejemplo diabetes mellitus, durante el embarazo, la enfermedad de Reynaud
- hemofilia o deficiencia inmunitaria.

Este producto está diseñado para extraer el vello en piernas, brazos y áreas sensitivas como axilas o línea del bikini con un cabezal adecuado según las necesidades.

Cuando esté encendido, el aparato nunca debe entrar en contacto con el cabello, las pestañas, cintas o ropa, etc. para prevenir cualquier peligro de lesiones así como también para prevenir bloqueo o daño al aparato.

Cómo utilizar su depiladora (Fig. 2)

Precaución – La lámina exterior del sistema es muy delgada y se puede dañar si se la manipula incorrectamente. Antes de cada uso, siempre verifique que la lámina no esté dañada. Para evitar lesiones corporales, no lo utilice si la lámina u otras partes del cabezal de rasurar están dañadas.

Verifique que el protector de piel y los discos no estén dañados ni deformados. Si lo están, entonces no utilice el aparato.

Cómo utilizar la depiladora con alimentación por CA (Fig. 2)

- Adhiera el cabezal que desea utilizar.
- Deslice el interruptor de Encender/ Apagar a la posición "0".
- Inserte bien el cable de alimentación en la depiladora.
- Enchufe bien el adaptador de CA en una toma eléctrica.
- Retire la tapa.
- Deslice el interruptor a la posición 1 y lleve a cabo la depilación o rasurado.
- Después de completar la depilación o el rasurado, deslice el interruptor a la posición "0".
- Desenchufe el cable de alimentación de la toma eléctrica y del aparato.

Uso correcto para obtener mejores resultados de depilación

- Use la depiladora en ángulos rectos (90°) contra su piel. Para mejores resultados de depilación, manténgala en contacto con la superficie de la piel. Presionando suavemente, guíe la depiladora lentamente en sentido contrario al crecimiento del vello. (Fig. 3)
- Cuando el vello es largo, el recortarlo antes de la depilación hace que la depilación de vello sea más fácil y reduce el dolor. Los vellos de las piernas y los brazos deberán ser recortados a un largo de 3 a 5 mm.
- Frote su piel para levantar los vellos cortos.
- Mueva la depiladora lentamente sobre la piel con el protector de piel tocando verticalmente.

Rasurado

De piernas y brazos

Es útil utilizar un cabezal rasurador con el peine de pre-depilación.

De axilas y línea del bikini

Es útil utilizar un cabezal rasurador de 3 a 5 días antes de utilizar la depiladora.

Rasurado

Antes de utilizarlo asegúrese de que la cuchilla no esté deformada ni dañada, ya que esto puede producir lesiones.

Aplique el cabezal rasurador de modo que la cuchilla completa esté en contacto directo con la piel.

Presionando suavemente, guíe el aparato lentamente en sentido contrario al crecimiento del vello. Aplicar demasiada fuerza no deja que los vellos sean guiados hacia las cuchillas de modo que podrían quedar áreas sin rasurar.

Recortador

Es útil usar el recortador sólo cuando quiere cortar el vello largo.

Cuando el recortador esté arriba, aplique la cuchilla suavemente.

Cómo rasurar con el peine de pre-depilación

Cuando el vello esté largo antes de la depilación, le recomendamos que use un cabezal rasurador con peine del bikini.

Coloque el peine de pre-depilación en el cabezal rasurador, y deslice el recortador hacia arriba. Cuando el peine de pre-depilación esté en su lugar, asegúrese de que el peine esté en contacto directo con la piel.

Más consejos útiles

- Al principio, se aconseja depilarse por la tarde de modo que cualquier enrojecimiento posible pueda desaparecer durante la noche. Cuando sienta dolor o aparezca un sarpullido, refresque la piel con una toalla fría.
- Es más fácil quitar el vello después de un baño o una ducha.
¡Pero su piel debe estar completamente seca!
- Para prevenir el riesgo de que los vellos se encarnen, le recomendamos el uso regular de esponjas de masaje, por ejemplo después de ducharse, o de peelings exfoliantes.

Limpieza (Fig. 4)

Apague y desenchufe el aparato antes de limpiarlo.

Limpieza del cabezal de depilación

Presione los botones de soltar el bastidor y retírelo.

Cepille el bastidor.

Al limpiar, se pueden girar manualmente los discos de depilación.

Tenga cuidado de no romper el protector de piel al limpiar.

Para desinfectar los discos de depilación sólo utilice alcohol puro.

¡Atención! Limpie el cuerpo principal sólo con un paño húmedo. El uso de alcohol, etc. puede causar decoloración o deformación del cuerpo principal.

Después de la limpieza, coloque la tapa en el cabezal de depilación.

Limpieza del cabezal rasurador (sólo ES2015)

Presione los botones de soltar el bastidor y retírelo.

Retire la cuchilla interior levantándola verticalmente hacia arriba.

Limpie con el cepillo.

Tenga cuidado de no aplicar demasiada fuerza a la lámina exterior.

Después de la limpieza, coloque el peine de pre-depilación en el cabezal rasurador.

Cómo reemplazar la lámina exterior del cabezal rasurador (Fig. 5)

Nunca retire la lámina exterior por una razón que no sea el reemplazo.

Cómo retirar la lámina exterior

Empujando suavemente la lámina exterior con los dedos, use la uña para liberar el panel plástico **(b)** en la cuchilla de las agarraderas **(a)** en la parte interior del bastidor.

Cómo colocar la nueva lámina exterior

Sosteniendo la lámina exterior de modo que la superficie con el panel plástico **(b)** (es decir, la superficie que entrará en contacto con la cuchilla interior) mire hacia arriba, insértela en el bastidor de modo que las agarraderas **(a)** en el cabezal quepan en los agujeros en la lámina.

Precauciones de seguridad

- Sólo utilice el adaptador RE7-41 incluido.
- Utilice el aparato en temperaturas entre 0~40° C.
- Siempre asegúrese de que el aparato funcione con una fuente de energía eléctrica igual a su voltaje especificado.
- Nunca utilice el aparato si el cable o el adaptador están dañados o demasiado calientes, o si el enchufe queda flojo en la toma eléctrica.
- Mantenga el aparato alejado de fuentes de calor o llamas.
- No permita que el aparato se utilice en o cerca de niños, ni que ellos lo utilicen.
- No permita que el aparato se utilice o se deje cerca de lavamanos, baños u otras áreas muy húmedas, donde podría quedar expuesto al agua y a la humedad.
- No permita que el aparato se sumerja, salpique con o enjuague debajo del agua.
- No modifique ni dañe el cable de ninguna manera como doblándolo, torciéndolo o halando del mismo innecesariamente.
- No enrolle ajustando el cable de salida alrededor del aparato.
- Limpie regularmente el conector del cable, el que se enchufa en el aparato, para mantenerlo sin polvo y objetos extraños como alfileres, etc.
- Reemplace la lámina de rasurar y la cuchilla interior cuando note un rendimiento disminuido en el rasurado.
- Un aparato dañado o defectuoso debe ser devuelto al centro de atención al cliente o a un agente autorizado de

atención al cliente.

- No intente utilizar un aparato defectuoso ni repararlo usted mismo. Sólo un técnico calificado debe llevar a cabo el desarmado y la reparación.
- El adaptador está preparado para orientarlo correctamente en una posición vertical o en el suelo.

Especificaciones

Fuente de energía: CA 120V 60Hz

Peso:

120g (con el cabezal de depilación)

115g (con el cabezal rasurador)

Sujeto a cambios sin previo aviso.

Este producto está destinado para el uso doméstico solamente.

LEA TODAS LAS INSTRUCCIONES ANTES DE UTILIZARLO

PARA SU COMODIDAD, HEMOS CREADO UNA LÍNEA DIRECTA NACIONAL GRATUITA (SÓLO EN LOS EE.UU.) DE VENTA DE ACCESORIOS, 1-800-338-0552.

Service · Assistance · Accessories
800-338-0552(In USA)
www.panasonic.com/personalcare

IN USA CONTACT:

Panasonic Consumer Electronics Company
Division of Panasonic Corporation of North America
One Panasonic Way 1H-1 Secaucus, NJ 07094

IN PUERTO RICO CONTACT:

Panasonic Puerto Rico, Inc.
P.O.Box 2036, Carolina, Puerto Rico 00984 U.S.A.

En México:

Panasonic de México, S.A de C.V.
México D.F.
Amores 1120, Col. del Valle, 03100
Tel: 54 88 10 00

Free Manuals Download Website

<http://myh66.com>

<http://usermanuals.us>

<http://www.somanuals.com>

<http://www.4manuals.cc>

<http://www.manual-lib.com>

<http://www.404manual.com>

<http://www.luxmanual.com>

<http://aubethermostatmanual.com>

Golf course search by state

<http://golfingnear.com>

Email search by domain

<http://emailbydomain.com>

Auto manuals search

<http://auto.somanuals.com>

TV manuals search

<http://tv.somanuals.com>