

Kids UP™

Series

Owner's Manual

FAST

*ROCK 2
ROCK 3*



QUANTUM REHAB®

SAFETY GUIDELINES



WARNING! A Quantum Rehab Provider or a qualified technician must perform the initial setup of this wheelchair and must perform all of the procedures in this manual.

The symbols below are used throughout this owner's manual and on the wheelchair to identify warnings and important information. It is very important for you to read them and understand them completely.



WARNING! Indicates a potentially hazardous condition/situation. Failure to follow designated procedures can cause either personal injury, component damage, or malfunction. On the product, this icon is represented as a black symbol on a yellow triangle with a black border.



MANDATORY! These actions should be performed as specified. Failure to perform mandatory actions can cause personal injury and/or equipment damage. On the product, this icon is represented as a white symbol on a blue dot with a white border.



PROHIBITED! These actions are prohibited. These actions should not be performed at any time or in any circumstances. Performing a prohibited action can cause personal injury and/or equipment damage. On the product, this icon is represented as a black symbol with a red circle and red slash.

INTENDED USE

The intended use of the Pride Mobility Products device is to provide mobility to persons limited to a seated position that have the capability of operating a wheelchair.

Quick Reference Information

Quantum Rehab Provider: _____

Address: _____

Phone Number: _____

Purchase Date: _____

NOTE: This owner's manual is compiled from the latest specifications and product information available at the time of publication. We reserve the right to make changes as they become necessary. Any changes to our products may cause slight variations between the illustrations and explanations in this manual and the product you have purchased. The latest/current version of this manual is available on our website.

NOTE: This product is compliant with WEEE, RoHS, and REACH directives and requirements.

NOTE: The Kids UP Series wheelchair and its components are not made with natural rubber latex. Consult with the manufacturer regarding any after-market accessories.



Copyright © 2014
Pride Mobility Products Corporation
INFMANU4552/Rev A/January 2014

CONTENTS

I. INTRODUCTION	4
II. SAFETY.....	5
III. YOUR WHEELCHAIR.....	13
IV. ASSEMBLY.....	21
V. COMFORT ADJUSTMENTS.....	24
VI. CARE AND MAINTENANCE	36
APPENDIX I—SPECIFICATIONS.....	42

LANGUAGE USAGE

This owner’s manual is intended for distribution in all English-speaking countries where Pride Manual Wheelchairs are sold. We have chosen to compose this manual using language and spelling common to the USA. Since we recognize that not all English-speaking countries use the same words or spellings, please refer to the following chart for some common word variations that may be encountered throughout this manual.

USA	Variation		USA	Variation		USA	Variation
asphalt	tarmac		backward(s)	rearward(s)		center	centre
color	colour		cord	lead		curb	kerb
elevator	lift		meter	metre		provider	dealer; agent
sidewalk	pavement		tire	tyre		trunk	boot
turn signal	turn indicator		yard	grounds		wrench	spanner
caster	castor		pocketbook	handbag		counterclockwise	anticlockwise
authorized	authorised		path	footpath		path	bridleway
labor	labour						

Table 1. Word Variations

I. INTRODUCTION

SAFETY

WELCOME to Pride Mobility Products (Pride). The wheelchair you have purchased combines state-of-the-art components with **safety**, comfort, and styling in mind. We are confident that these design features will provide you with the conveniences you expect during your daily activities. Once you understand how to **safely** operate and care for your wheelchair, it should give you years of trouble free operation and service.

Read and follow all instructions, warnings, and notes in this manual before attempting to operate your wheelchair for the first time. You must also read all instructions, warnings, and notes contained in any supplemental instructional booklets that accompanied your wheelchair before initial operation. Your **safety** depends upon you, as well as your provider, caretaker, or health care professional in using good judgment.

If there is any information in this manual which you do not understand, or if you require additional assistance for setup or operation, please contact your Quantum Rehab Provider. **Failure to follow the instructions in this manual and those located on your wheelchair can lead to personal injury and/or damage to the wheelchair, including voiding the warranty.**

PURCHASER'S AGREEMENT

By accepting delivery of this product, you promise that you will not change, alter, or modify this product or remove or render inoperable or unsafe any guards, shields, or other safety features of this product; fail, refuse, or neglect to install any retrofit kits from time to time provided by Pride to enhance or preserve the safe use of this product.

SHIPPING AND DELIVERY

Before using your wheelchair, make sure your delivery is complete as some components may be individually packaged. If you do not receive a complete delivery, please contact your Quantum Rehab Provider immediately. Where damage has occurred during transport, either to the packaging or content, please contact the delivery company responsible.

USA:

Pride Mobility Products Corporation
Attn.: Customer Care Department
182 Susquehanna Avenue
Exeter, PA 18643-2694
info@pridemobility.com

Canada:

Pride Mobility Products Company
5096 South Service Road
Beamsville, Ontario L0R 1B3
Canada

Australia:

Pride Mobility Products Australia Pty. Ltd.
20-24 Apollo Drive
Hallam, Victoria 3803
Australia

Europe:

Pride Mobility Products Europe B.V.
Castricum Werf 26
1901 RW Castrium
The Netherlands

United Kingdom:

Pride Mobility Products Ltd.
32 Wedgwood Road
Bicester, Oxfordshire OX26 4UL
UK

NOTE: If you ever lose or misplace your copy of this manual, contact us and we will be glad to send you a new one immediately.

II. SAFETY

PRODUCT SAFETY SYMBOLS

The symbols below are used on the wheelchair to identify warnings, mandatory actions, and prohibited actions. It is very important for you to read and understand them completely.



Read and follow the information in the owner's manual.



Keep your hands, clothing, and all other objects away from the tires when driving. Do not allow any personal belongings to drag behind the wheelchair when driving. Be aware that loose-fitting clothing or other objects can become caught in the drive wheels and/or they may become entangled in the rearing gear.



Avoid exposure to rain, snow, ice, salt, or standing water whenever possible. Maintain and store in a clean and dry condition.



Pinch/Crush points created during assembly.



Disposal and recycling—Contact your Quantum Rehab Provider for information on proper disposal and recycling of your Pride product and its packaging.



Maximum seat weight.



Indicates wheelchair securement points.

II. SAFETY

GENERAL GUIDELINES



MANDATORY! Do not operate your new wheelchair for the first time without completely reading and understanding this owner's manual.

Your wheelchair is a state-of-the-art life-enhancement device designed to increase mobility. Pride provides an extensive variety of products to best fit the individual needs of the wheelchair user. Please be aware that the final selection and purchasing decision regarding the type of wheelchair to be used is the responsibility of the wheelchair user, who is capable of making such a decision, and his/her health care professional (i.e., medical doctor, physical therapist, etc.).

The contents of this manual are based on the expectation that a mobility device expert has properly fitted the wheelchair to the user and has assisted the prescribing health care professional and/or the Quantum Rehab Provider in the instruction process for the use of the product.

There are certain situations, including some medical conditions, where the wheelchair user will need to practice operating the wheelchair in the presence of a trained attendant. A trained attendant can be defined as a family member or care professional specially trained in assisting a wheelchair user in various daily living activities.

As you begin using your wheelchair during daily activities, you will probably encounter situations in which you will need some practice. Simply take your time and you will soon be in full and confident control as you maneuver through doorways, on and off of elevators, up and down ramps, and over moderate terrain.

Below are some precautions, tips, and other safety considerations that will help you become accustomed to operating your wheelchair safely.

Modifications

Pride has designed and engineered your wheelchair to provide maximum mobility and utility. A wide range of accessories is available from your Quantum Rehab Provider to further customize your wheelchair to better suit your needs and/or preferences. Under no circumstances should you modify, add, remove, or disable any feature, part, or function of your wheelchair.



WARNING! Do not modify your wheelchair in any way not authorized by Pride. Do not use accessories if they have not been tested or approved for Pride products.

Pre-Ride Safety Check

Get to know the feel of your wheelchair and its capabilities. Pride recommends that you perform a safety check before each use to make sure your wheelchair operates smoothly and safely. Before riding, you should be trained in the safe use of this wheelchair by your Quantum Rehab Provider.

Perform the following inspections prior to using your wheelchair:

- Check for proper tire inflation. Maintain but do not exceed the psi/bar/kPa air pressure rating indicated on each tire if equipped with pneumatic tires.
- Check the manual wheel locks. See III. "Your Wheelchair."
- Check the attendant wheel lock, if your wheelchair is equipped with one. See III. "Your Wheelchair."

NOTE: *If you discover a problem, contact your Quantum Rehab Provider for assistance.*

II. SAFETY

Weight Limitations

Your wheelchair is rated for a maximum weight capacity. Please refer to the specifications table for this limit. Keep in mind that the maximum weight capacity includes the combined weight of the user and any accessories mounted to the wheelchair.



MANDATORY! Stay within the specified weight capacity of your wheelchair. Exceeding the weight capacity voids your warranty. Pride will not be held responsible for injuries and/or property damage resulting from failure to observe weight limitations.



WARNING! Do not carry passengers, including pets, on your wheelchair. Carrying passengers and/or objects on your wheelchair may affect the center of gravity, resulting in a tip or a fall.

WARNING! Do not carry baggage on the back of the wheelchair. Carrying or tying baggage on the back of the wheelchair may affect the center of gravity, resulting in a tip or a fall.

Tire Inflation

If your wheelchair is equipped with pneumatic tires, you should check or have the air pressure checked regularly. Proper inflation pressures will prolong the life of your tires and help ensure the smooth operation of your wheelchair.



WARNING! It is important to maintain the psi/bar/kPa air pressure rating indicated on the pneumatic tires at all times. Do not under inflate or overinflate your tires. Low pressure may result in loss of control, and overinflated tires may burst. Failure to maintain the psi/bar/kPa air pressure rating indicated on the pneumatic tires at all times may result in tire and/or wheel failure.

WARNING! Inflate your wheelchair drive tires from a regulated air source with an available pressure gauge. Inflating your tires from an unregulated air source could overinflate them, resulting in a burst tire.

NOTE: If the tire on your wheelchair lists the psi rating only, use the following conversion formulas to find the bar or kPa rating: $bar = psi \times 0.06895$; $kPa = psi \times 6.89476$.

Incline Information

More and more buildings have ramps with specified degrees of inclination, designed for easy and safe access. Some ramps may have turning switchbacks (180-degree turns) that require you to have good cornering skills on your wheelchair.

- Proceed with extreme caution as you approach the downgrade of a ramp or other incline.
- Take wide swings with your wheelchair's front wheels around any tight corners. If you do that, the wheelchair's rear wheels will follow a wide arc, not cut the corner short, and not bump into or get hung up on any railing corners.
- When driving down a ramp, proceed slowly to ensure a safely controlled descent.
- Avoid sudden stops and starts.

When climbing an incline, try to keep your wheelchair moving. If you must stop, start up again slowly and then accelerate cautiously. When driving down an incline, proceed slowly and drive in the forward direction only. If your wheelchair starts to move down the incline faster than you anticipated or desired, bring it to a complete stop using both hands, then proceed slowly to ensure a safely controlled descent.



WARNING! When on any sort of an incline or decline, never allow the wheelchair to roll freely while seated on it or standing next to it.

WARNING! When climbing an incline, do not zigzag or drive at an angle up the face of the incline. Drive your wheelchair straight up the incline. This greatly reduces the possibility of a tip or a fall. Always exercise extreme caution when negotiating an incline.



WARNING! You should not travel up or down a potentially hazardous incline (i.e., areas covered with snow, ice, cut grass, or wet leaves).

WARNING! Never travel down an incline backward. Doing so may cause the wheelchair to tip. Always exercise extreme caution when negotiating an incline.

II. SAFETY

WARNING! If your wheelchair is equipped with a reclining seatback, do not attempt to negotiate inclines with the seat in a reclined position. Do not attempt to negotiate obstacles with the seat in a reclined position unless an attendant is present to help stabilize the chair. Failure to heed may result in the wheelchair tipping over.



WARNING! Even though your wheelchair is capable of climbing slopes greater than those illustrated in figure 1, do not, under any circumstances, exceed the incline guidelines or any other specifications presented in this manual. Doing so could cause instability in your wheelchair.

Pride recommends that the maximum slope of an incline you attempt to safely ascend or descend on your wheelchair does not exceed 5° (8.7%). See figure 1.



WARNING! Any attempt to climb or descend a slope steeper than 5° (8.7%) may put your wheelchair in an unstable position and cause it to tip.

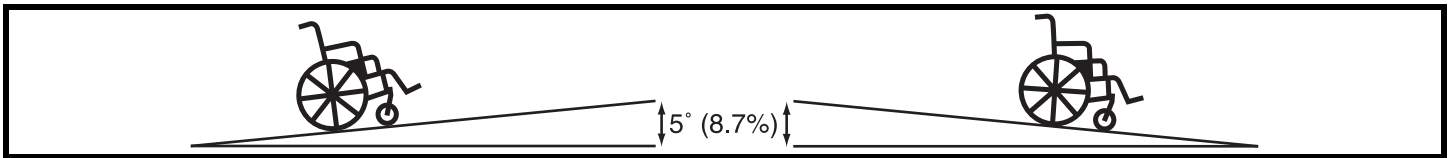


Figure 1. Maximum Safe Slope (Ascending and Descending)

Attendant or Manual Wheel Locks

Your wheelchair is equipped with an attendant wheel lock, which is mounted on the axle of the drive wheels, or two manual wheel locks (Kids ROCK 2 and ROCK 3), which are mounted near (or directly in front of) both drive wheels. The attendant or manual wheel locks help prevent your wheelchair from moving when parked. After you bring your wheelchair to a complete stop, engage the attendant wheel lock or both manual wheel locks. If you have any questions about the operation of your wheel locks, contact your Quantum Rehab Provider.

WARNING! Do not attempt to use either manual wheel lock lever to stop your wheelchair.



WARNING! Pride does not recommend that you remain parked on an incline for a long period of time.

WARNING! Use care when operating the wheel locks. Possible pinch point created during operation.

Cornering Information

While your wheelchair is equipped with front caster wheels, excessively high cornering speeds can still create the possibility of tipping. Factors which affect the possibility of tipping include, but are not limited to: cornering speed, steering angle (how sharply you are turning), uneven road surfaces, inclined road surfaces, riding from an area of low traction to an area of high traction (such as passing from a grassy area to a paved area—especially at high speed while turning), and abrupt directional changes. High cornering speeds are not recommended. If you feel that you may tip over in a corner, reduce your speed and steering angle (i.e., lessen the sharpness of the turn) to prevent your wheelchair from tipping.



WARNING! When cornering sharply, reduce your speed and maintain a stable center of gravity. This greatly reduces the possibility of a tip or fall.

Public Streets and Roadways



WARNING! You should not operate your wheelchair on public streets and roadways. Be aware that it may be difficult for traffic to see you when you are seated on your wheelchair. Obey all local pedestrian traffic rules. Wait until your path is clear of traffic, and then proceed with extreme caution.

II. SAFETY

Outdoor Driving Surfaces

Your wheelchair is designed to provide optimum stability under normal driving conditions—dry, level surfaces composed of concrete, blacktop, or asphalt. However, Pride recognizes that there will be times when you will encounter other surface types. For this reason, your wheelchair is designed to perform admirably on packed soil, grass, and gravel. Feel free to use your wheelchair safely on lawns and in park areas.

- Avoid driving on uneven terrain and/or soft surfaces.
- Avoid tall grass that can entangle the drive wheels or caster wheels.
- Avoid loosely packed gravel and sand.
- Avoid uneven surfaces.
- Do not use your wheelchair in fresh or salt water.
- Do not use your wheelchair at the edge of a stream, lake, or ocean.
- If you feel unsure about a driving surface, avoid that surface.

Inclement Weather Precautions

Exposure of your wheelchair to inclement weather conditions should be avoided whenever possible. If suddenly caught up in rain, snow, severe cold or heat while operating your wheelchair, proceed to shelter at the earliest opportunity. Thoroughly dry your wheelchair before storing or operating your wheelchair.



PROHIBITED! Operating in rain, snow, salt, mist/spray conditions, and on icy/slippery surfaces can have an adverse effect on your wheelchair. Maintain and store your wheelchair in a dry and clean condition.



WARNING! Prolonged exposure to hot or cold conditions may affect the temperature of upholstered and non-upholstered items on the wheelchair, possibly resulting in skin irritation. Exercise caution when using the wheelchair in extremely hot or cold conditions or when exposing your wheelchair to direct sunlight for prolonged periods of time.

Stationary Obstacles (Steps, Curbs, etc.)

Proceed with extreme caution when driving near raised surfaces, unprotected ledges and/or drop-offs (curbs, porches, stairs, etc.). Be sure your wheelchair is traveling perpendicular to any curb you may be required to navigate. See figure 2.



WARNING! Even though your wheelchair may be capable of handling greater obstacles, Pride recommends that you do not attempt to negotiate a curb that has a height greater than 2 in. (5 cm). Doing so could cause instability in your wheelchair.

WARNING! Do not attempt to have your wheelchair proceed backward down any step, curb, or other obstacle. This may cause the wheelchair to tip.

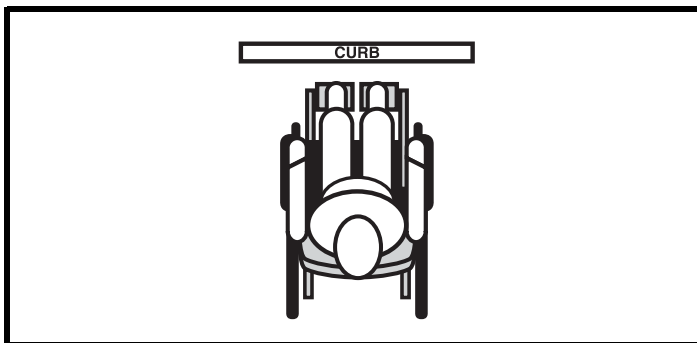


Figure 2. Correct Curb Approach

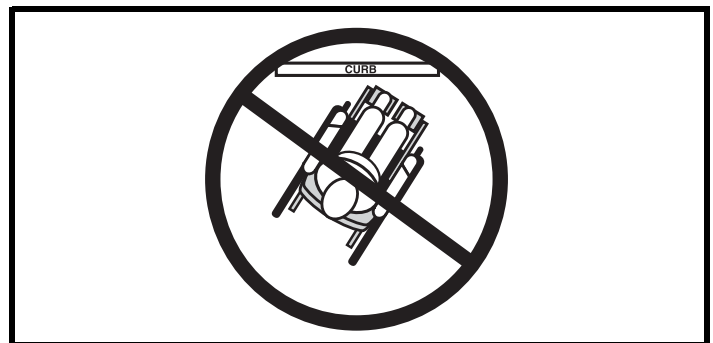


Figure 3. Incorrect Curb Approach

Stairs and Escalators

Wheelchairs are not designed to travel up or down stairs or escalators. Always use an elevator.



WARNING! Never use your wheelchair to negotiate steps or escalators.

II. SAFETY

Doors

- Determine if the door opens toward or away from you.
- Drive your wheelchair gently and slowly forward to push the door open, or drive your wheelchair gently and slowly backward to pull the door open.

Elevators

Modern elevators have a door edge safety mechanism that, when pushed, reopens the elevator door(s).

- If you are in the doorway of an elevator when the door(s) begin to close, push on the rubber door edge or allow the rubber door edge to contact the wheelchair and the door will reopen.
- Use care that pocketbooks, packages, or wheelchair accessories do not become caught in elevator doors.

Lift Systems/Elevation Products

If you will be transporting your wheelchair during travel, you may find it necessary to use a vehicle-mounted lift system or elevation product to aid in transportation. Pride recommends that you closely review the warnings, instructions, specifications, and safety information set forth by the manufacturer of the lift/elevation product before using that product.



WARNING! Not all lift systems/elevation products are rated for use with an occupied mobility device. Pride recommends that you do not remain seated in your wheelchair when it is being used in connection with any type of lift system/elevation product unless:

- That product is rated for occupied use by the manufacturer.
- You are able to occupy your mobility device in strict conformity with the warnings, instructions, specifications, and safety guidelines set forth by the manufacturer.

Motor Vehicle Transport

Pride recommends that you do not remain seated in your wheelchair while traveling in a motor vehicle. Your wheelchair was designed to be folded and stored in a secure location, such as the trunk of a car, during motor vehicle transport, unless it is equipped with an optional transit securement system. If your wheelchair is equipped with a transit securement system, see III. “Your Wheelchair.”



WARNING! The wheelchair user should transfer into the motor vehicle seat and use the vehicle-installed restraint system whenever feasible. The wheelchair user should never sit in the wheelchair while it is in a moving vehicle unless it is equipped and properly secured with a manufacturer-installed transit securement system.

WARNING! Ensure wheelchairs equipped with a transit securement system are properly secured to the motor vehicle during transport. Wheelchairs that are not properly secured can become a hazard to the user and to other vehicle passengers in the event of a crash, sudden stopping, or swerving, as the wheelchair could tip or slide out of place.

Positioning Belts

Your Quantum Rehab Provider, therapist(s), and other healthcare professionals are responsible for determining your requirement for a positioning belt in order to operate your wheelchair safely. Typically, the positioning belt is not designed for use as a restraining device in a motor vehicle. You should be properly belted into seats approved by the vehicle manufacturer with your wheelchair properly stowed for vehicle transport or secured using an optional transit securement system.

Positioning belts should be installed as detailed in this manual. See III. “Your Wheelchair.” Once installed, the belt should be placed across the pelvis as determined by your healthcare provider. Anchor points of the positioning belts should be located so that a projected side-view angle of the pelvis is between 45°-75° of horizontal depending on the user’s weight, posture, and seat cushion thickness.



WARNING! If you require a positioning belt to safely operate your wheelchair, make sure it is fastened securely in order to reduce the possibility of a fall from the wheelchair.

II. SAFETY

WARNING! The positioning belt is not designed for use as a seat belt in a motor vehicle. Nor is your wheelchair suitable for use as a seat in any vehicle. Anyone traveling in a vehicle should be properly belted into seats approved by the vehicle manufacturer.



WARNING! Avoid serious injury. Always use positioning belt to prevent the child from falling or slipping out of wheelchair. After fastening buckles, adjust positioning belt to get a snug fit around the child.

WARNING! Avoid serious injury. Do not place items with strings around your child's neck, suspend strings from the wheelchair, or attach strings to toys.

Removable Parts



WARNING! Do not attempt to lift or move a wheelchair by any of its removable parts, including the armrests, seat, tray, and front riggings. Do not attempt to pick up the wheelchair while the seat is occupied.

Preventing Unintended Movement



WARNING! If you anticipate the child being seated in a stationary position for an extended period of time, apply the wheel locks. This will prevent unexpected chair movement.

Reaching and Bending

Never reach, lean, or bend while driving your wheelchair. If it is absolutely necessary to reach, lean, or bend while seated on your wheelchair, it is important to maintain a stable center of gravity and keep the wheelchair from tipping. Pride recommends that the wheelchair user determine his/her personal limitations and practice bending and reaching in the presence of a qualified healthcare professional.



WARNING! Do not bend, lean, or reach for objects if you have to pick them up from the floor by reaching down between your knees or if you have to reach over the back of the seat. Movements such as these may change your center of gravity and the weight distribution of the wheelchair. This may cause your wheelchair to tip.



Keep your hands, clothing and all other object away from the tires when driving. Do not allow any personal belongings or objects to drag behind the wheelchair when driving. Be aware that loose fitting clothing or other objects can become caught in drive tires and/or they may become entangled in the running gear.

Transfers

Transferring onto and off of your wheelchair requires a good sense of balance. Always have an attendant or health-care professional present while learning to properly transfer yourself.

To eliminate the possibility of injury, Pride recommends that you or a trained attendant perform the following tasks before attempting a transfer:

- Turn both caster wheels toward the transfer destination to improve wheelchair stability during transfer.
- Ensure both wheel locks on your wheelchair are engaged. See III. "Your Wheelchair."
- Reduce the distance between your wheelchair and the object you are transferring onto.



WARNING! Before transferring, position yourself as far back as possible in the wheelchair seat to prevent the wheelchair from tipping forward during transfer.

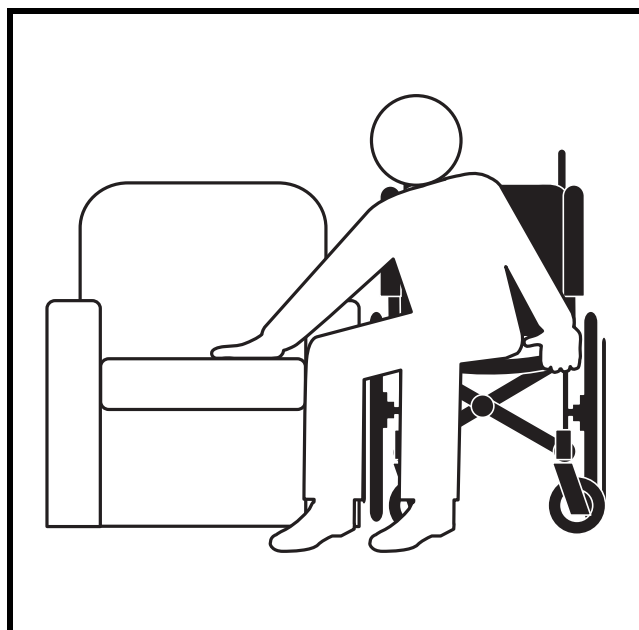


Figure 4. Ideal Transfer Position

II. SAFETY

WARNING! Avoid putting all of your weight on the wheelchair armrests and do not use the armrests for weight bearing purposes, such as transfers. Such use may cause the wheelchair to tip, resulting in a fall from the wheelchair and personal injury.



WARNING! Avoid putting all of your weight on the manual wheel locks and do not use the manual wheel locks for weight bearing purposes, such as transfers. Such use may cause equipment damage or personal injury.

WARNING! Avoid putting all of your weight on the front riggings. Such use may cause the wheelchair to tip.

WARNING! Ensure legs, hands, and clothing are clear of the scissor-style wheel lock levers when attempting to transfer.

Prescription Drugs/Physical Limitations

Users must exercise care and common sense when operating a wheelchair. This includes awareness of safety issues when taking prescribed or over-the-counter drugs or when the user has specific physical limitations.



WARNING! Consult your physician if you are taking prescribed or over-the-counter medication or if you have certain physical limitations. Some medications and limitations may impair your ability to operate your wheelchair in a safe manner.

Alcohol/Smoking

The attendant for the wheelchair user must exercise care and common sense when operating the wheelchair. This includes awareness of safety issues while under the influence of alcohol or while smoking.

WARNING! Do not operate the wheelchair while you are under the influence of alcohol, as this may impair your ability to operate the wheelchair in a safe manner.



WARNING! Pride strongly recommends that the attendant does not smoke cigarettes while the child is seated in the wheelchair, although the wheelchair has passed the necessary testing requirements for cigarette smoking. You must adhere to the following safety guidelines if you decide to smoke cigarettes while a child is seated in the wheelchair.

- Do not leave lit cigarettes unattended.
- Keep ashtrays a safe distance from the seat cushions.
- Always make sure cigarettes are completely extinguished before disposal.

Flammability Precautions

WARNING! Even though the plastics used on your wheelchair have been tested and have passed the applicable flammability standards, Pride recommends that you do not expose your wheelchair to open flames.



WARNING! Replace worn or damaged upholstery immediately to reduce the risk of fire hazard.

WARNING! Be aware that washing of upholstered items may reduce the resistance to flammability of the fabric.

III. YOUR WHEELCHAIR

KIDS FAST

The Kids FAST Wheelchair includes a mobility base, a shell assembly, a sunshade, two front caster wheels, two rear wheels with an attendant wheel lock, an adjustable push handle, a calf protector and foot plate on an adjustable ratchet lock, and an ACTIVE handle with integrated tilt lever and fold and hip angle adjusters. See figure 5.

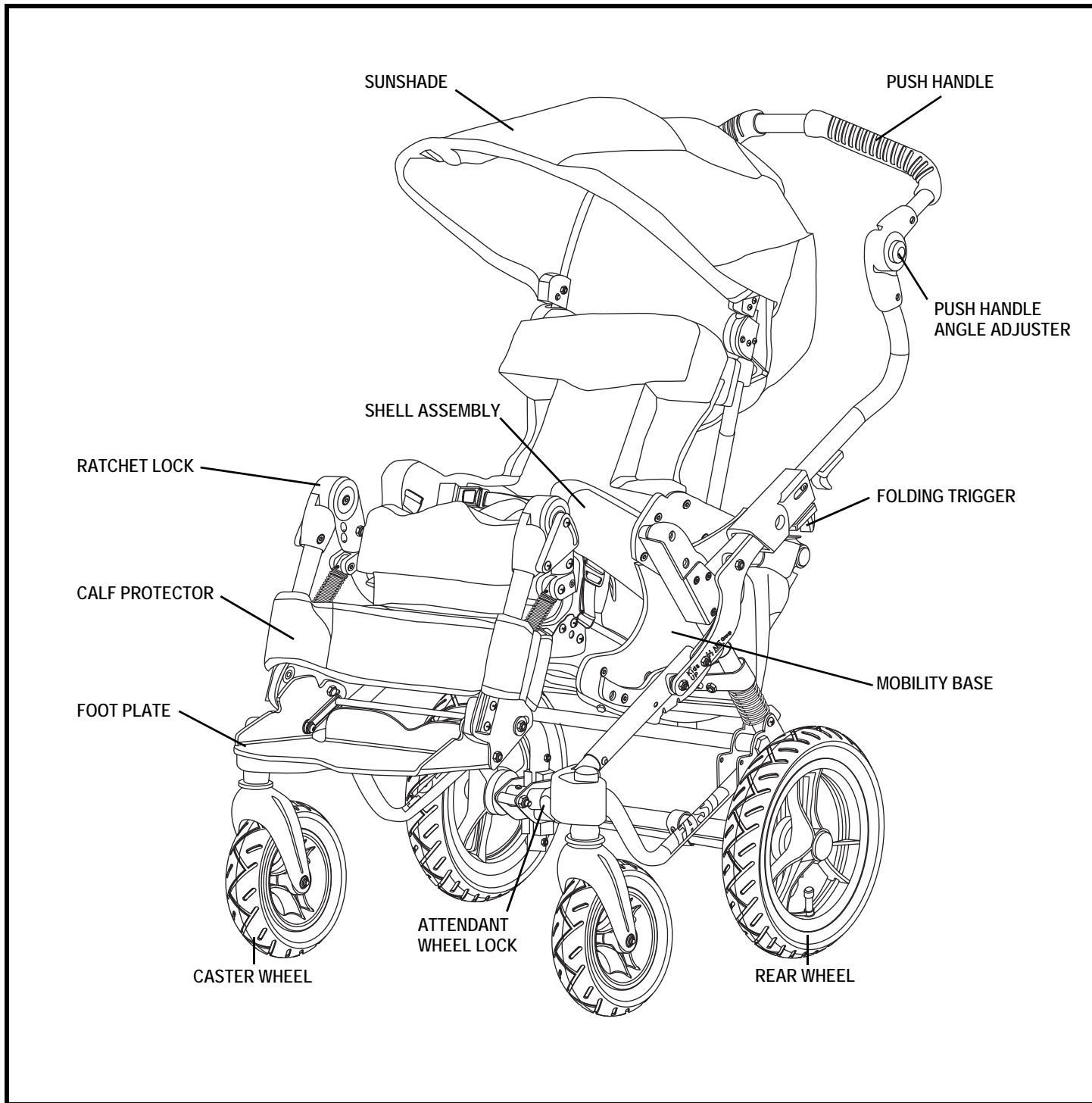


Figure 5. The Kids FAST Wheelchair

III. YOUR WHEELCHAIR

KIDS ROCK 2 AND ROCK 3 WHEELCHAIR

The Kids ROCK 2 and ROCK 3 Wheelchairs include two front caster wheels, two rear wheels with an attendant wheel lock or two manual wheel locks, two anti-tip wheels, an adjustable push handle with integrated tilt adjustment lever, a calf protector and foot plate on an adjustable ratchet lock, and an ACTIVE handle with integrated fold and hip angle adjuster. See figure 6.

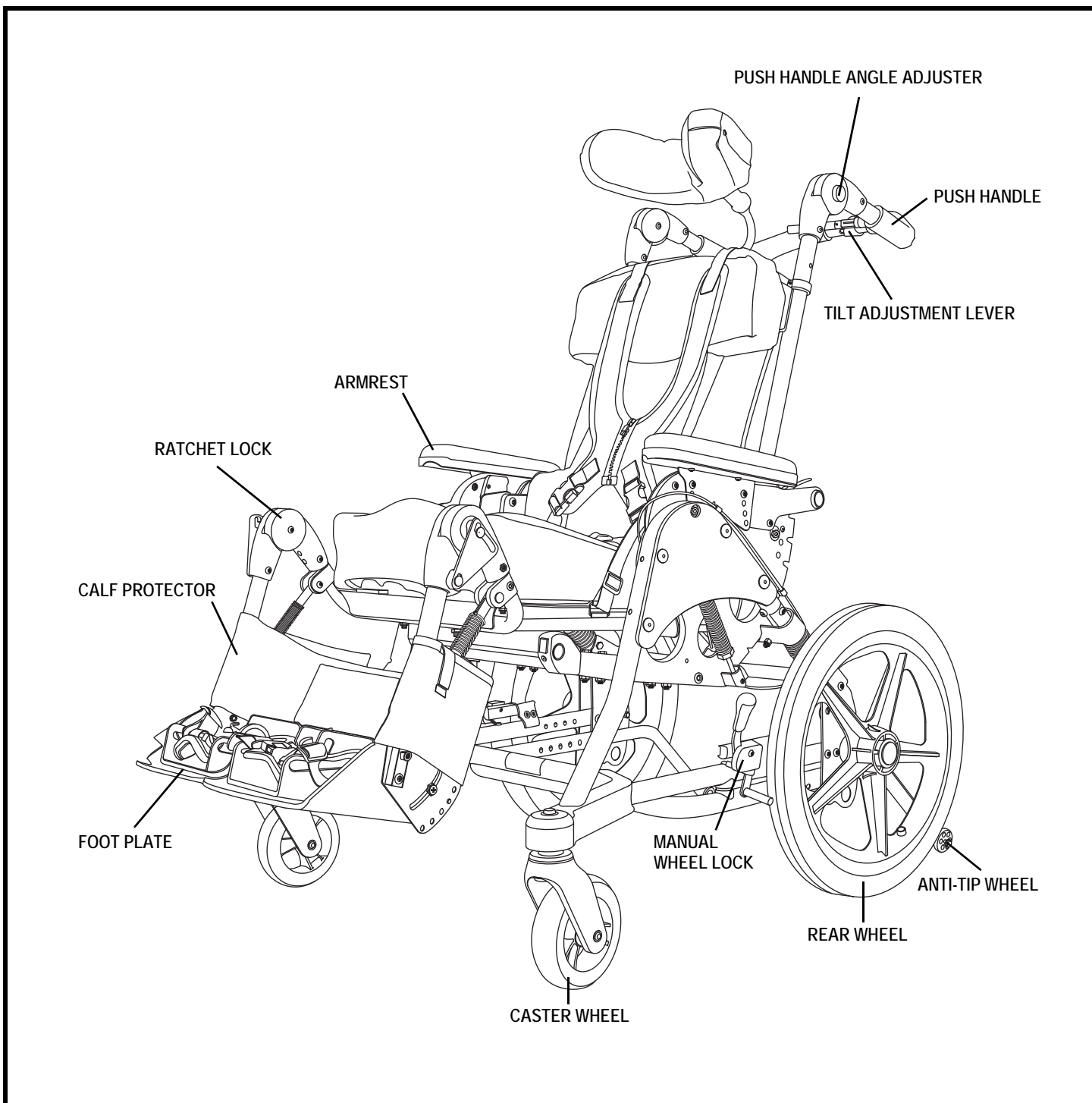


Figure 6. The Kids ROCK 2 and ROCK 3 Wheelchairs

III. YOUR WHEELCHAIR

Attendant and Manual Wheel Locks

Your Kids UP Series Wheelchair is equipped with either an attendant wheel lock (optional for Kids ROCK 2 and ROCK 3) or two manual wheel locks (only Kids ROCK 2 and ROCK 3).



WARNING! Engage the wheel locks before transferring the child to and from the wheelchair.

WARNING! Do not use excessive force to engage the wheel locks. Damage to the quick release and/or rear wheels is possible; personal injury may also occur.

To engage the Kids FAST attendant wheel lock:

1. Locate the attendant wheel lock lever on the right of the rear axle. **See figure 7.**
2. Press the attendant wheel lock lever downward, and roll the wheelchair backward and forward slightly until the lock pins engage the brake disk.

To disengage the Kids FAST attendant wheel lock:

1. Push the attendant wheel lock lever upward with your foot.

To engage the attendant wheel lock on Kids ROCK 2 and ROCK 3 (optional):

1. Use your foot to push down on the attendant wheel lock bar to engage the locks. **See figure 8.**

To disengage the attendant wheel lock on Kids ROCK 2 and ROCK 3 (optional):

1. Pull up on the bar to release the attendant wheel locks. **See figure 8.**

To engage the manual wheel locks:

1. Locate the manual wheel lock handles on both sides of the frame, just in front of the rear wheels. **See figure 9.**
2. Rotate the manual wheel lock handles forward and fully down.

To disengage the manual wheel locks:

1. Locate the manual wheel lock handles on both sides of the frame, just in front of the rear wheels. **See figure 9.**
2. Rotate the manual wheel lock handles up and fully rear until they stop.

NOTE: Unless otherwise noted, all other procedures apply to all Kids UP Series wheelchairs.

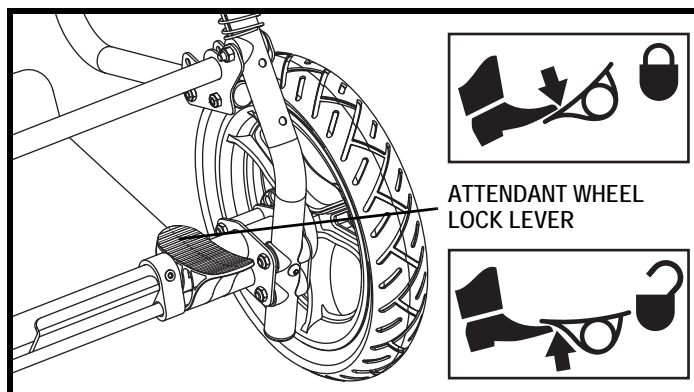


Figure 7. Kids FAST Attendant Wheel Lock

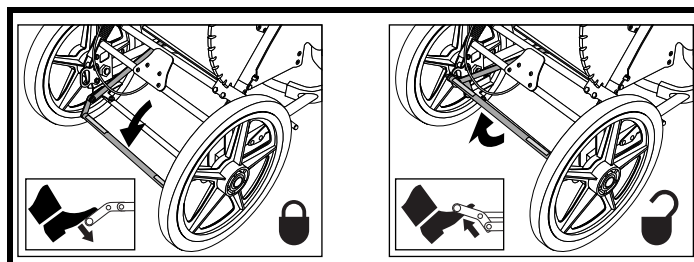


Figure 8. Kids ROCK 2 and ROCK 3 Attendant Wheel Lock (Engaged and Disengaged)

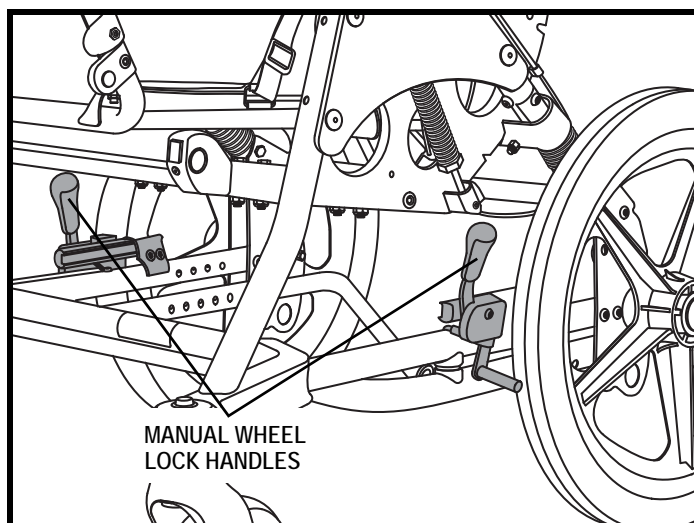


Figure 9. Kids ROCK 2 and ROCK 3 Manual Wheel Lock

III. YOUR WHEELCHAIR

Therapy Tray (Optional)



WARNING! To avoid burns, never put hot liquids on the therapy tray.

WARNING! Remove the therapy tray when preparing the wheelchair for transport in a motor vehicle.

To install the therapy tray:

1. Insert the tray posts into the tray receivers, which are located on the rear of the ratchet locks, until the tray post lock pins release and the bolts in the tray post rest against the tray receivers. **See figure 10.**

To remove the therapy tray:

1. Depress the lock pins.
2. Remove the tray posts from the tray receivers.

Seatback



WARNING! Do not fold or unfold the seatback with the child in the wheelchair.

To fold the seatback:

1. Engage the attendant or manual wheel locks.
2. Lift upward on the hip angle lever, which is located on the back of the wheelchair. **See figure 11.**
3. Fold the seatback forward.

To unfold the seatback:

1. Lift upward on the hip angle lever.
2. Fold the seatback rearward.
3. Adjust hip angle and push the hip angle lever back into the horizontal position.

Hip Angle Adjustment

The Kids UP Series Wheelchairs allow you to adjust the hip angle of the child.

To adjust the hip angle:

1. Verify the wheelchair is latched in the non-ACTIVE mode. See IV. "Comfort Adjustments."
2. While supporting the child's weight, pull up the hip angle lever. **See figure 11.**
3. Move the seatback of the wheelchair to the desired position and release the hip angle lever.
4. Verify the lever has returned to the latched position. **See figure 11.**

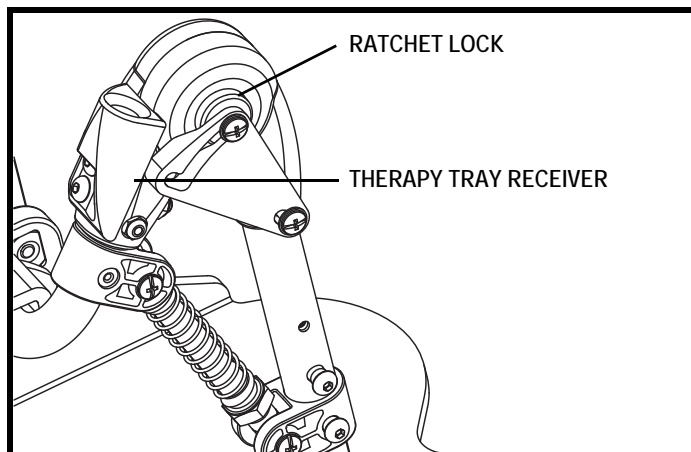


Figure 10. Kids UP Tray Receiver

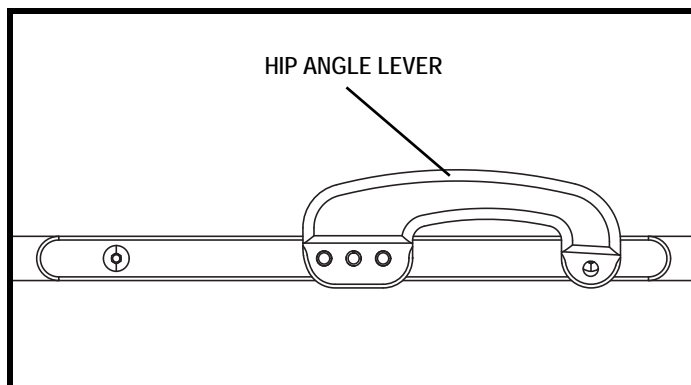


Figure 11. Kids UP Hip Angle Lever (Latched)

III. YOUR WHEELCHAIR

Mobility Base (Kids FAST)

The Kids FAST Wheelchair can be folded into a compact position that is ideal for transport and storage. The mobility base will fold with or without the shell assembly installed. Folding action may be limited by positioning equipment.

WARNING! Do not fold or unfold the mobility base with the child in the wheelchair.

WARNING! Never place a child in an unfolded wheelchair without confirming that the folding triggers are latched.



WARNING! When transporting the wheelchair in the unfolded position, ensure that both the mobility base and the shell assembly are secured. The shell assembly can detach from the mobility base when folded.

To fold the mobility base:

1. Adjust the handlebar fully downward, and fold the seatback fully forward.
2. Tilt the seat base fully downward.
3. Pull the folding triggers rearward until they are free from the plate latches. **See figure 12.**
4. Push the push handle forward and down over the seatback.
5. Remove the rear wheels as necessary for transport or storage.

To unfold the mobility base:

1. Reinstall the rear wheels, if removed, and engage the attendant wheel locks.
2. Pull the push handle upward and rearward until the folding triggers engage in the plate latches.
3. Ensure the folding triggers are engaged in the plate latches by confirming that the rear surface of the folding trigger is flush with the trigger stop. **See figure 13.**

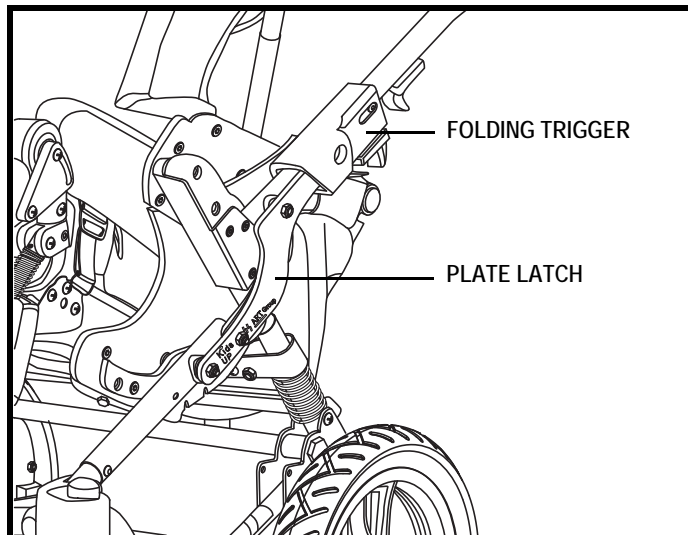


Figure 12. The Kids FAST Trigger and Plate Latch

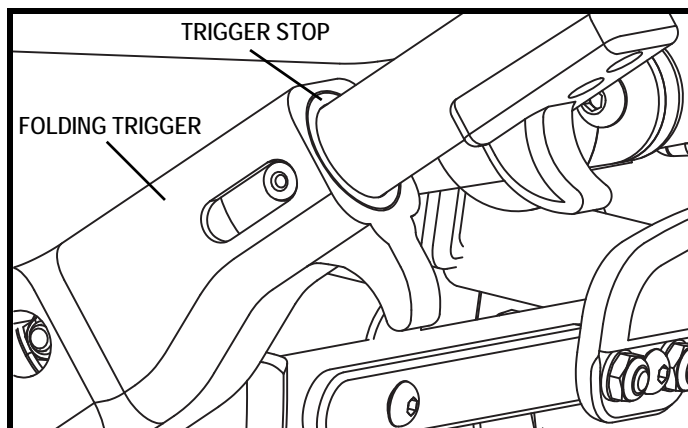


Figure 13. The Kids FAST Folding Trigger Stop

III. YOUR WHEELCHAIR

Shell Assembly and Mobility Base (Kids FAST)

The shell assembly and mobility base can be separated for ease of lifting and transporting the wheelchair.



WARNING! Never remove the shell assembly from the mobility base with the child in the wheelchair or use either assembly when it is not properly attached.

WARNING! Ensure that the shell assembly is properly attached to the mobility base before placing the child in the wheelchair.

To remove the shell assembly:

1. Engage the attendant wheel locks.
2. Ensure that the ACTIVE handle lever, which is located on the front of the ACTIVE handle, is in the OFF position (parallel to the ACTIVE handle). See **figure 14**.
3. Remove the child from the wheelchair.
4. Lift upward on the front of the seat pan.
5. Lift upward on the hip angle lever.
6. Lift the shell assembly upward and out of the mobility base.

To install the shell assembly:

1. Lower the shell assembly into the mobility base so that the seat pivot bushings enter the alignment slots. See **figure 15**.
2. Pull upward on the hip angle lever, adjust the shell to the desired hip angle position, and engage the hip angle lever. Check for proper pin engagement and lever position.
3. Turn the ACTIVE handle lever to the ON position (perpendicular to the ACTIVE handle) and cycle the ACTIVE motion to ensure proper installation.
4. Apply forward pressure to the push handle, and turn the ACTIVE lever to the OFF position (parallel to the ACTIVE handle). See **figure 14**.

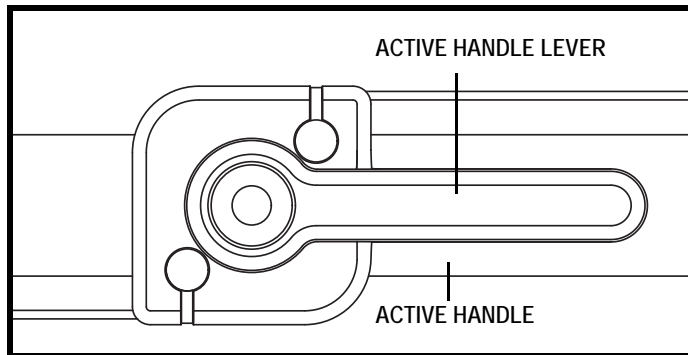


Figure 14. The Kids FAST ACTIVE Handle (OFF)

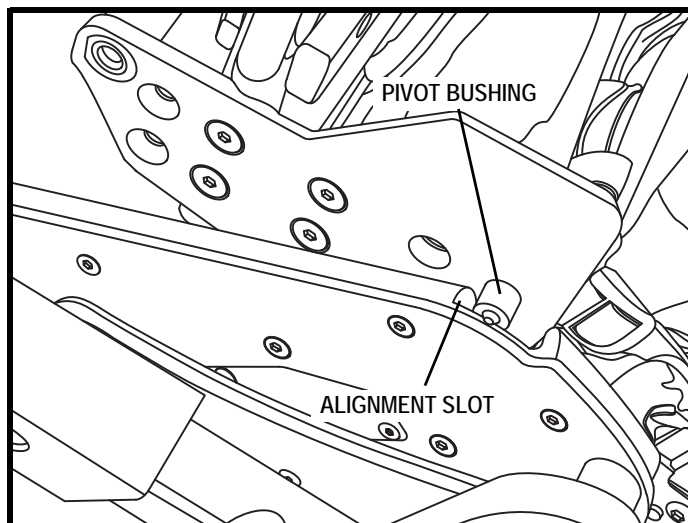


Figure 15. Installation of the Kids FAST Shell Assembly

III. YOUR WHEELCHAIR

Transit Feature (Optional)

The Kids UP Series Wheelchairs are approved for transporting children in motor vehicles when the wheelchair is equipped with optional transit features. Use in accordance with the instructions supplied by the vehicle-mounted tie-down manufacturer and the following guidelines:

- The Kids UP Series Wheelchairs conform to, and have been dynamically tested in compliance with ANSI/RESNA WC /Vol. 1, Section 19.5.3.
- Contact your Quantum Rehab Provider with any questions regarding use of the wheelchair for seating in a motor vehicle.



WARNING! Ensure that restraints are not held away from the body by wheelchair components.

WARNING! Attach tie-downs only to designated tie-down locations.

WARNING! Do not use the wheelchair if the wheelchair has been involved in a crash.

Guidelines:

- Transfer the child to the vehicle seat, and use the vehicle-installed restraint system whenever possible.
- The wheelchair must be secured in a forward-facing position with a Wheelchair Tie-down and Occupant Restraint System (WTORS) that meets the requirements of SAE J2249 Recommended Practice (Wheelchair Tie-down and Occupant Restraint System for Use in Motor Vehicles).
- The Kids UP Series Wheelchairs have been dynamically tested in a forward-facing mode with the test device restrained by both pelvic and upper torso belts. Both pelvic and upper torso belts must be used to reduce the possibility of head and chest impacts with vehicle components.
- For approved transit tie-down locations and location of the pelvic belt attachment pin, see figures 16 and 17.
- The Kids FAST Wheelchair can accommodate up to 80 lbs. (36 kg); the Kids ROCK 2 Wheelchair can accommodate up to 110 lbs. (50 kg), and the Kids ROCK 3 Wheelchair can accommodate up to 215 lbs. (97 kg). Do not exceed these occupant weights.
- The wheelchair must be placed in a forward-facing position when used as a seat in a motor vehicle. Use an approved four-point strap-type tie-down system, and an approved three-point belt for the child. Secure the wheelchair and the child using the instructions provided with the tie-down system.

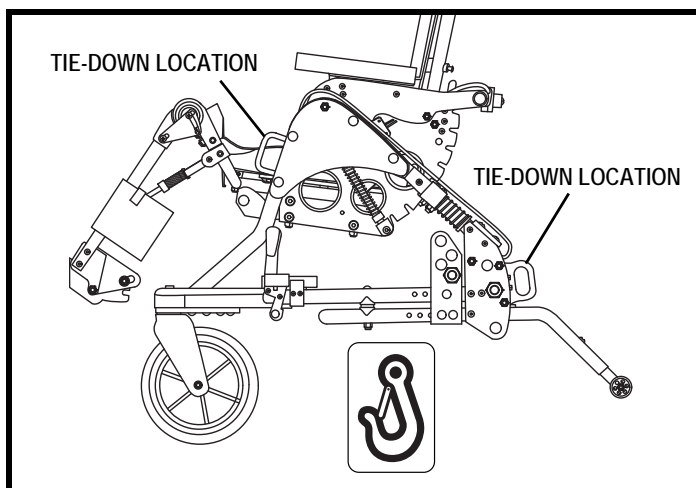


Figure 16. The Kids UP Tie-down Locations

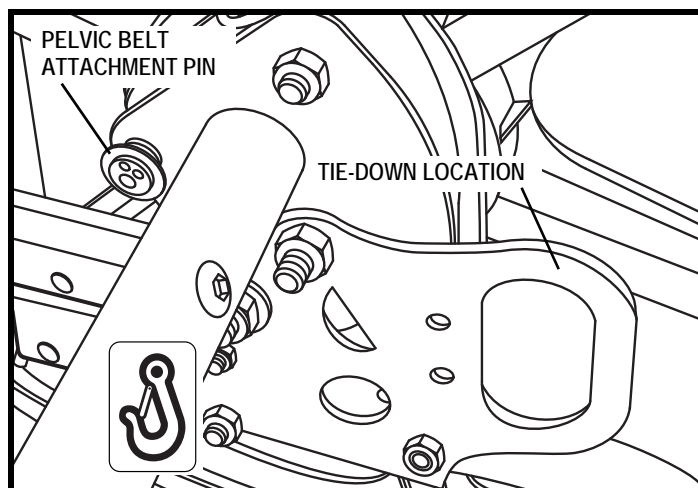


Figure 17. The Kids UP Pelvic Belt Attachment Pin

III. YOUR WHEELCHAIR

- Ensure that restraints are not held away from the child's body by wheelchair components.
- Adjust the belts so that the belts fit as snugly as is comfortable for the child.
- Install belt restraints that comply with the provisions of ANSI/RESNA WC/Vol. 1, Section 19.4.9.2 through 4.9.5 and 5.2 that have been dynamically tested in accordance with Annex A and 5.3 of the same, for use as a restraint in a motor vehicle.
- Postural supports and belts may be used in addition to the occupant belt restraint, but should not be used as a replacement of the occupant restraints that have been designed and tested for this purpose.
- Preferred pelvic belt angle-range. **See figure 18.**
- Steeper side-view pelvic-belt angles are especially important if the pelvic belt is intended to be used for postural support in addition to occupant restraint in a frontal crash.
- Steeper angles will reduce the tendency for a vertical gap to develop between the user and the belt due to compliance of seat cushions and belt movement. This will reduce the tendency for the user to slip under the belt and for the belt to ride up on the child's abdomen during normal use.
- Steeper belt angles reduce the tendency for upper-torso belts to pull the pelvic belt into the abdomen during frontal impact loading.
- Remove auxiliary equipment from the wheelchair and secure the equipment in the vehicle during transit.
- Remove wheelchair-mounted trays from the wheelchair and secure the trays in the vehicle during transit.
- Do not perform alterations or substitutions to the structure and frame components without consulting your Quantum Rehab Provider.
- Follow the specifications for the recommended safety zone. **See figure 19.**
- Ensure that the recline and tilt features place the child in an upright position and never exceed a 30° (from vertical) recline when using the wheelchair for transport.
- Ensure that the ACTIVE handle lever (located on the front of the ACTIVE handle) is in the OFF position (parallel to the ACTIVE handle).
- Always drive carefully to minimize excessive force on the tie-down system.

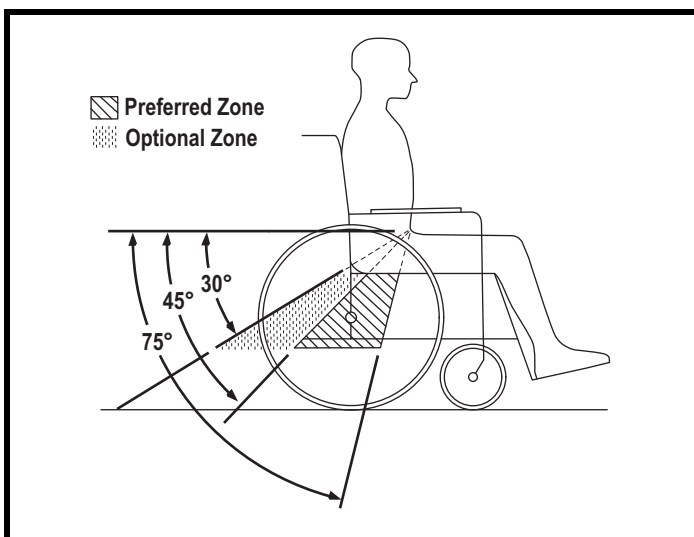


Figure 18. The Kids UP Preferred Pelvic Belt Angle

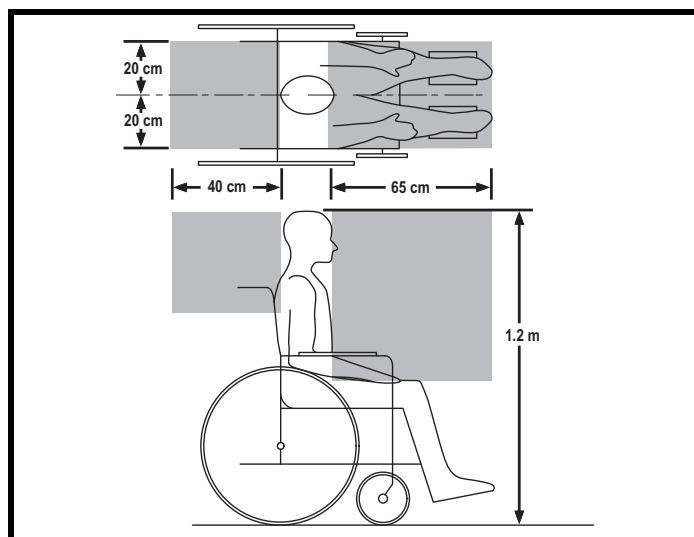


Figure 19. The Kids UP Recommended Safety Zone

IV. ASSEMBLY

INITIAL ASSEMBLY OF YOUR KIDS UP SERIES WHEELCHAIR

The original package contains the following components:

- Kids UP Series Wheelchair
- Two rear wheels
- Two anti-tip wheels (only Kids ROCK 2 and ROCK 3)
- Additional options and accessories as ordered



WARNING! Contact your health care professional before using this wheelchair with a child.

To unpack the Kids UP Series Wheelchair:

1. Keep box upright.
2. Verify the package is in good shape and no damage has occurred during shipping.
3. Remove the Kids UP Series Wheelchair and accessories from the packaging.
4. Ensure your order is complete.

To assemble the Kids FAST Wheelchair:

1. Make sure the attendant wheel lock lever is released. **See figure 7.**
2. Align the rear wheel with the axle on the wheelchair.
3. Press the clip on the wheel and slide the wheel onto the axle. Release the clip. **See figure 20.**
4. Make sure that the wheel clip is fully engaged by pulling outward on the wheel without pressing on clip. If wheel cannot be removed, clip is properly engaged.
5. Repeat for the rear wheel on the other side.
6. Fold the frame and seatback into the upright position. **See III. "Your Wheelchair."**
7. Install the calf protector. **See figures 23 and 24.**
8. Make additional adjustments to the wheelchair as necessary. **See V. "Comfort Adjustments."**

To assemble the Kids ROCK Wheelchairs:

1. Make sure the manual wheel lock is released. **See figure 8 or 9.**
2. Put the axle through the wheel hub.

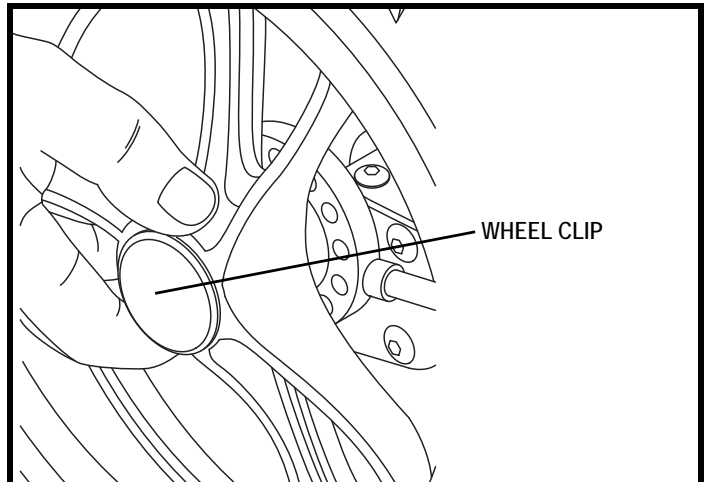


Figure 20. Kids FAST Rear Wheel

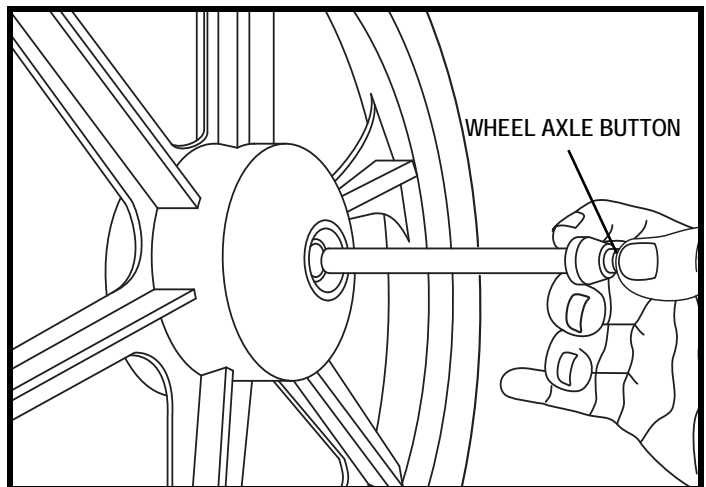


Figure 21. Kids ROCK 2 and ROCK 3 Rear Wheel

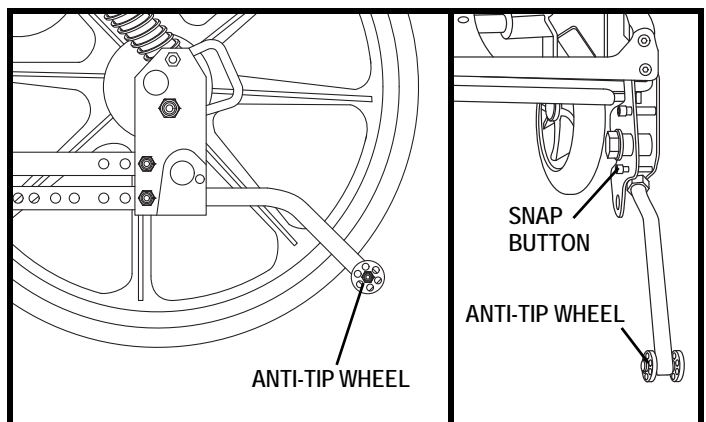


Figure 22. Kids ROCK 2 and ROCK 3 Anti-tip Wheels

IV. ASSEMBLY

3. Hold the axle and wheel. Align the axle with the axle sleeve on the wheelchair.
4. Press the button on the axle and slide the axle into the axle sleeve.
5. Make sure that the axle is fully engaged by verifying that the button on the top of the axle pops out. **See figure 21.**
6. If included, install the hub cap by locating and rotating to lock into place.
7. Repeat for the rear wheel on the other side.
8. Fold the seatback into position. See III. "Your Wheelchair."
9. Install the rear anti-tip wheels. **See figure 22.**
10. Install the calf protector. **See figures 23 and 24.**
11. Install the ACTIVE handle then verify the functionality of the ACTIVE mechanism. **See figures 25 and 26.**
12. Make additional adjustments to the wheelchair as necessary. See V. "Comfort Adjustments."

Anti-Tip Wheel Installation (Kids ROCK 2 and ROCK 3)

Anti-tip wheels are integral and important safety features of your wheelchair. **See figure 22.**



PROHIBITED! Do not remove the anti-tip wheels or modify the wheelchair in any way that is not authorized by Pride.



WARNING! The anti-tip wheels should only be adjusted by a Quantum Rehab Provider or a qualified technician.

To install and adjust anti-tip wheels:

1. To install, depress the snap button and insert the anti-tip wheel into the tube.
2. To remove, depress the snap button and remove the anti-tip wheel from the tube.
3. For only Kids ROCK 3, obtain the proper clearance by adjusting the position of the anti-tip extensions.

NOTE: *The anti-tip wheels should be used at all times. They should be positioned 1.5 in. to 2 in. (3.81 cm to 5.08 cm) off the ground for proper function. The anti-tips should extend at least 4 in. beyond the point where the rear wheel touches the ground.*

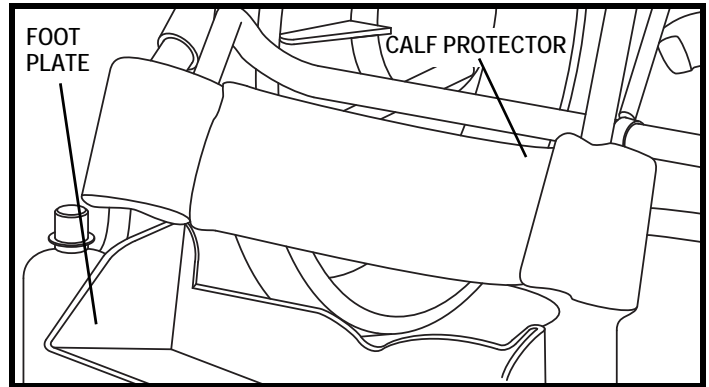


Figure 23. Kids UP Series Calf Protector

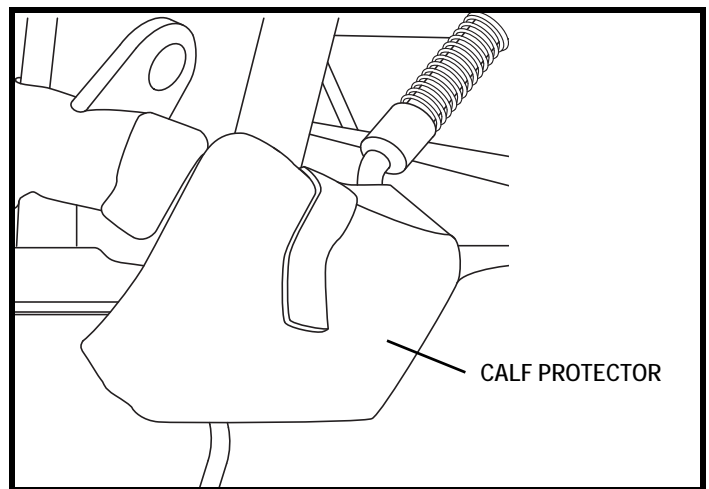


Figure 24. Kids UP Series Calf Protector Installation

IV. ASSEMBLY

ACTIVE Handle Lever Installation Instructions

The ACTIVE handle lever may be removed for shipping to prevent damage to the wheelchair. It must be installed to enable full functionality of the wheelchair. See figures 25 and 26.

You may need the following to install the ACTIVE handle lever:

- 7/16-in. nut driver
- 5/32-in. hex wrench

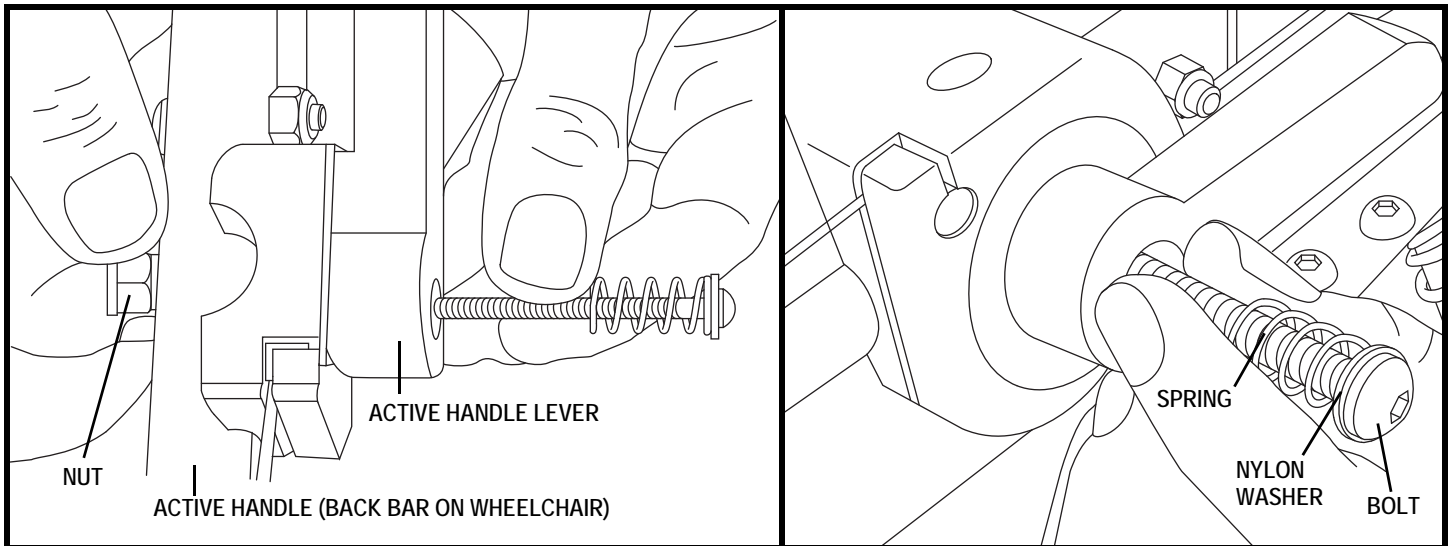


Figure 25. ACTIVE Handle Lever Hardware

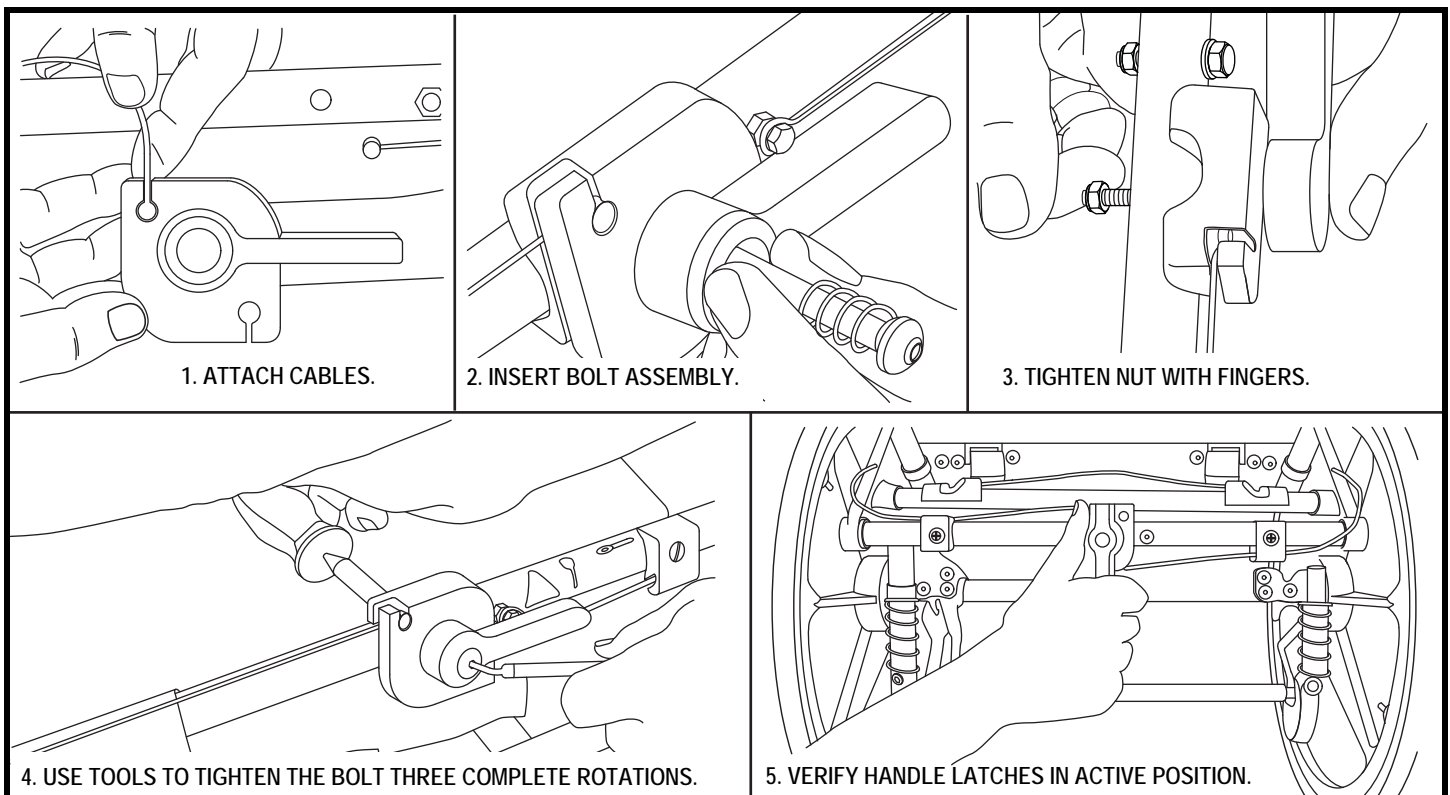


Figure 26. ACTIVE Handle Lever Installation Instructions

V. COMFORT ADJUSTMENTS

COMFORT ADJUSTMENTS

After becoming familiar with the wheelchair's operation, you may find the need to make some adjustments to increase the child's comfort, including seatback depth, angle, and height; footrest; leg rest length and angle; calf pad height and depth; angle-adjustable foot plate angle and depth; armrest height and angle; seat angle; caster angle; positioning belt; and seat tension.



WARNING! Remove the occupant from the wheelchair before making any adjustments.

You may need the following to make comfort adjustments:

- 5/32-in. hex wrench
- 3/16-in. hex wrench
- Two 1/8-in. hex wrenches
- 7/16-in. nut driver
- 3/4-in. end wrench (only ACTIVE tension)
- One 1/8-in. end wrench (only adjustable position axle)

Seat Depth Adjustment (Kids FAST)

To achieve proper seat depth, it may be necessary to adjust the position of the back canes. **See figure 27.**

- For seat depth less than 7.5 in. (19.05 cm), back canes must be installed in position 1.
- For seat depth from 7.5 in. to 9.5 in. (19.05 cm to 24.13 cm), back canes should be installed in position 2.
- For seat depth greater than 9.5 in. (24.13 cm), back canes should be installed in position 3.

To adjust back cane position:

1. Remove shell assembly from mobility base.
2. Remove back and seat cushions.
3. Using a 5/32-in. hex wrench, remove bolts for lower back plate and bolts for back canes. Repeat on opposite side. **See figure 27.**
4. Adjust back canes/lower back plate to desired position.
5. Reinstall bolts and tighten.
6. Reinstall cushions and reattach shell assembly to mobility base.

To adjust seat depth:

1. Detach hook and loop flap on rear of seat cushion.
2. Loosen the seat depth adjustment knob below the seat pan. **See figure 28.**
3. Loosen any accessories that prevent the seat pan from sliding.
4. Push or pull on the front of the seat, evenly on both sides, until the seat reaches the desired depth.
5. Tighten the seat depth adjustment knob and any accessories loosened in step 4. **See figure 28.**

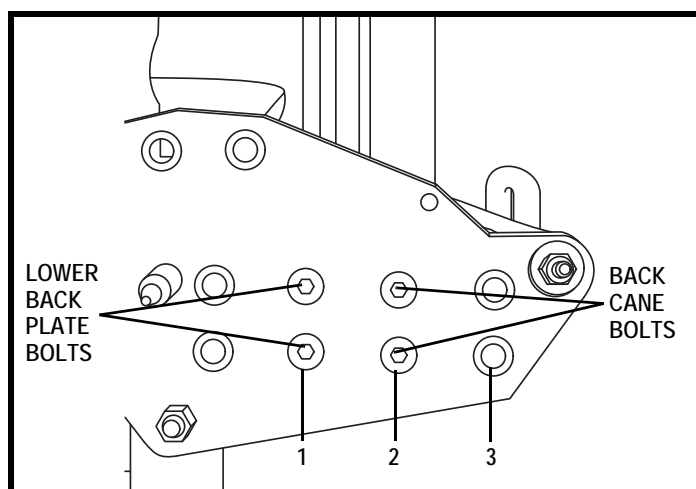


Figure 27. Kids FAST Back Cane Adjustment

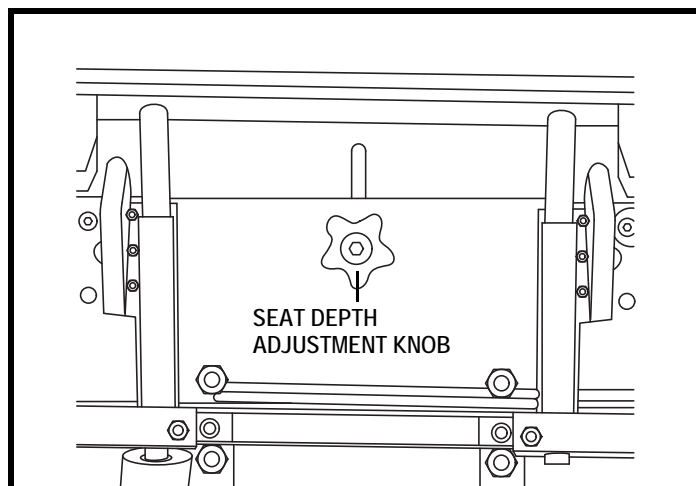


Figure 28. Kids FAST Seat Depth Adjustment

V. COMFORT ADJUSTMENTS

Seat Depth Adjustment (Kids ROCK 2 and ROCK 3)

1. Remove the seat cushion.
2. Use a 5/32-in. hex wrench to loosen the bolts on the left and right tubes. **See figure 29.**
3. Loosen any accessories that prevent the seat pan from sliding.
4. Push or pull on the front of the seat, evenly on both sides, until the seat reaches the desired depth.
5. Tighten the bolts and any accessories loosened in step 3.
6. When the seat depth is changed, the glide blocks must be adjusted for proper weight distribution and active motion.
7. Set the hip angle adjustment to position that best accommodates the child. This will allow for accurate positioning of the glide blocks.
8. Using a 5/32-in. hex wrench, loosen the adjustment bolts on the left and right glide blocks.
9. Position the glide blocks so that the center of the notch on the left side of the seat plate is in line vertically with the circular mark on the glide block.
10. Tighten the adjustment bolts and verify that the glide blocks cannot move. Cycle active motion to verify smooth operation. If seat plate falls behind glide blocks, glide blocks need to be moved inward.
11. Reposition hip angle as needed.



WARNING! Improper adjustment of the glide block can create a pinch point for the child. Always adjust the glide block as indicated in the above instructions. Improper adjustment of the glide blocks voids warranty.

Back Height Adjustment (Kids FAST)

1. Loosen the back plate adjustment knob. **See figure 30.**
2. Loosen the laterals and other items attached to the back as necessary.
3. Slide the back to the desired position.
4. Tighten knob and check for proper position of all items loosened in steps 1-2.

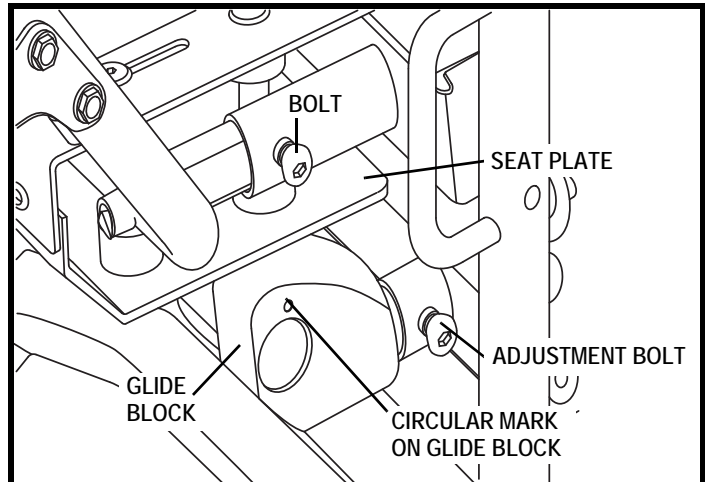


Figure 29. Kids ROCK 2 and ROCK 3 Seat Depth Adjustment

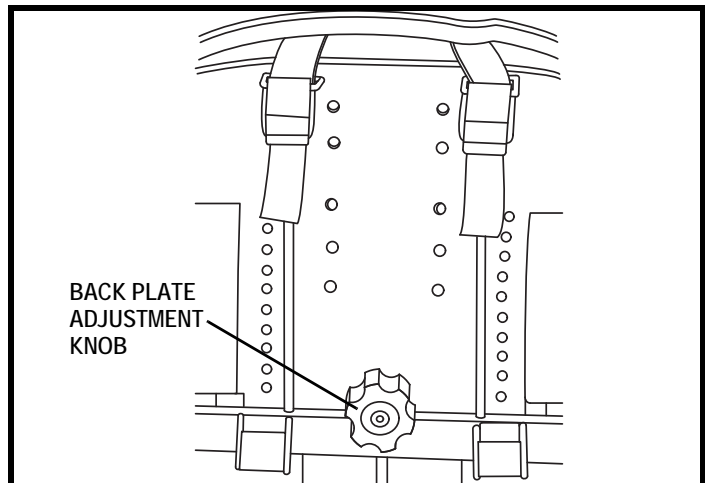


Figure 30. Kids FAST Back Height Adjustment

V. COMFORT ADJUSTMENTS

Back Height Adjustment (Kids ROCK 2 and ROCK 3)

1. Loosen the bolts on the four (4) back cane clamps, using 7/16-in. hex wrench. **See figure 31.**
2. Loosen the laterals and other items attached to the back as necessary.
3. Slide the back to the desired position.
4. Tighten and check all items loosened in steps 1-3.

NOTE: For back heights less than 22.5 in. (57.15 cm), back plates will have only the upper clamps attached. While the clamps for lower attachment points are installed on back canes, they are not attached to back plate. If back height needs to be adjusted greater than 22.5 in. (57.15 cm), it is necessary to attach clamps to lower crossbar of back plate. Back height is measured from surface of seat to top of back plate.



WARNING! If back height is adjusted above 22.5 in. (57.15 cm) without installing lower clamps, instability and/or breakage will occur.

Leg Length Adjustment (Kids FAST)

1. Use a 5/32-in. hex wrench to loosen the two (2) bolts in each adjustment block. **See figure 32.**
2. Adjust the leg length to the desired position.
3. Tighten the bolts.



WARNING! Some footrest settings can cause the footrest to collide with the front casters.

Leg Length Adjustment (Kids ROCK 2 and ROCK 3)

1. Remove the fabric calf protector to expose the leg length adjustment bolts.
2. Use a 5/32-in. hex wrench to loosen the two (2) adjustment screws on each side. **See figure 33.**
3. Adjust the leg length to the desired position.

NOTE: The leg length must be adjusted in 0.5-in. (1.27-cm) increments. The bolts must engage holes in the footrest extensions.

4. Tighten the screws.
5. Always reinstall the calf protector to cover the adjustment bolts.

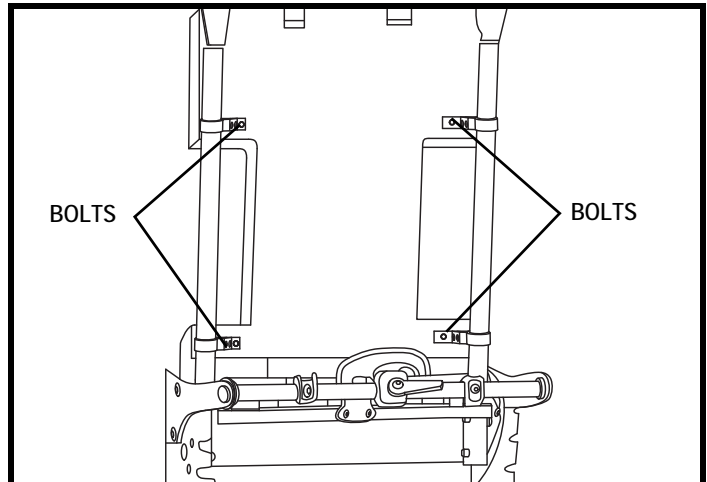


Figure 31. Kids ROCK 2 and ROCK 3 Back Height Adjustment

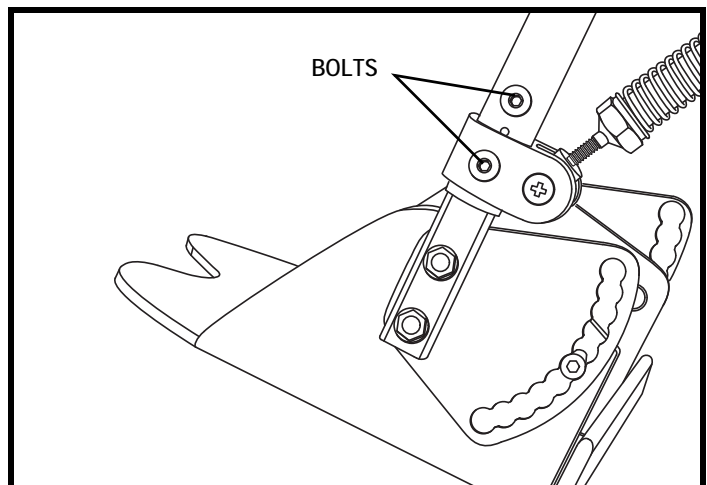


Figure 32. Kids FAST Leg Length Adjustment

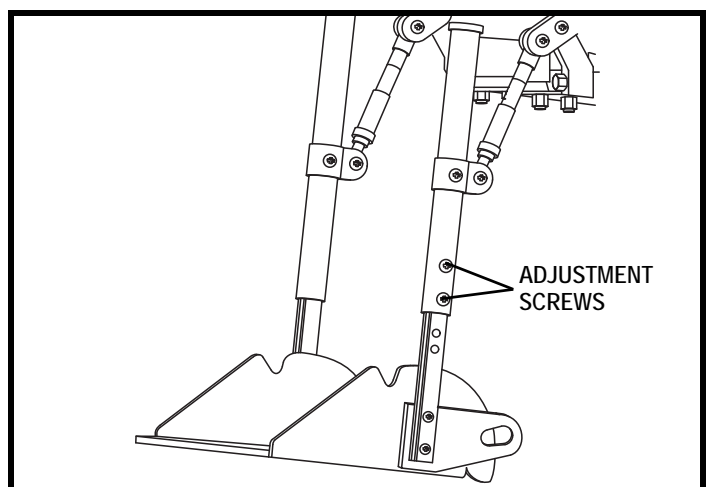


Figure 33. Kids ROCK 2 and ROCK 3 Leg Length Adjustment

V. COMFORT ADJUSTMENTS

Adjustment of the Hip Guides (Adductors) or Armrests/Hip Guides (Kids FAST)

1. Slotted adductor brackets should always be adjusted as far apart as possible. This will allow the seat cushion to be properly installed. See **figure 34**.
2. Adductor pads can accommodate a wide range of hip widths by adding or removing layers of 0.25-in. (0.64-cm) foam from the pad cover. Extra wide adductor covers are available.

Adjustment of the Adductors and Lateral Supports (Kids ROCK 2 and ROCK 3)

1. The position of the lateral support plate can be adjusted using a 5/32-in. hex driver. See **figure 35**.
2. Loosen bolts and adjust to desired position.
3. Tighten bolts after adjustment.
4. Hip width can be adjusted by adding or removing layers of 0.25-in. (0.64-cm) foam from adductor covers. See **figure 36**.

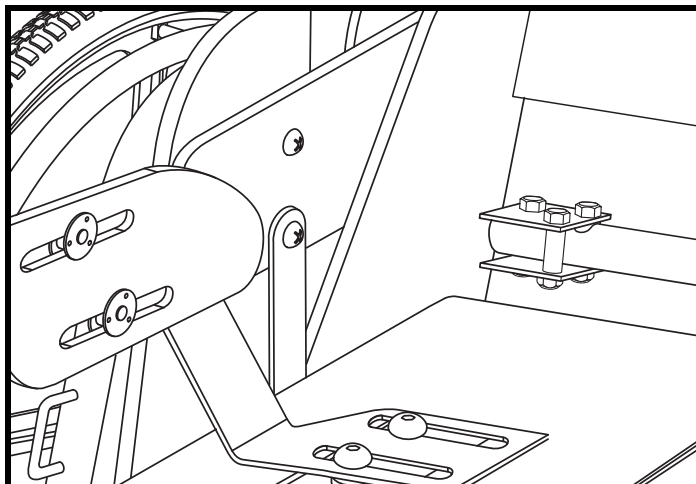


Figure 34. Kids FAST Adductors

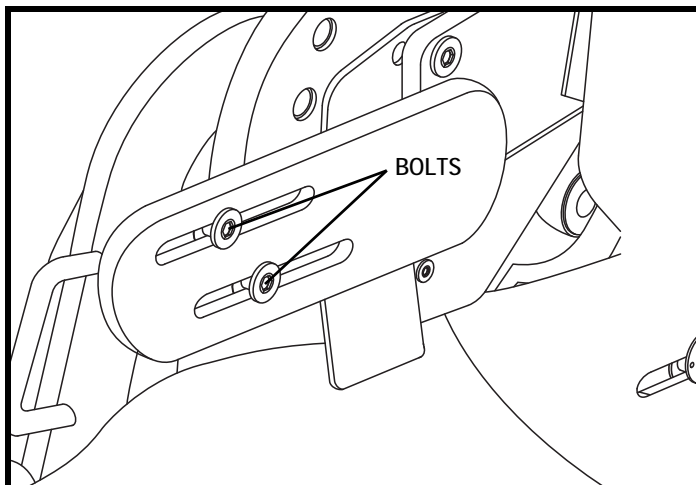


Figure 35. Kids ROCK 2 and ROCK 3 Lateral Plate Adjustment

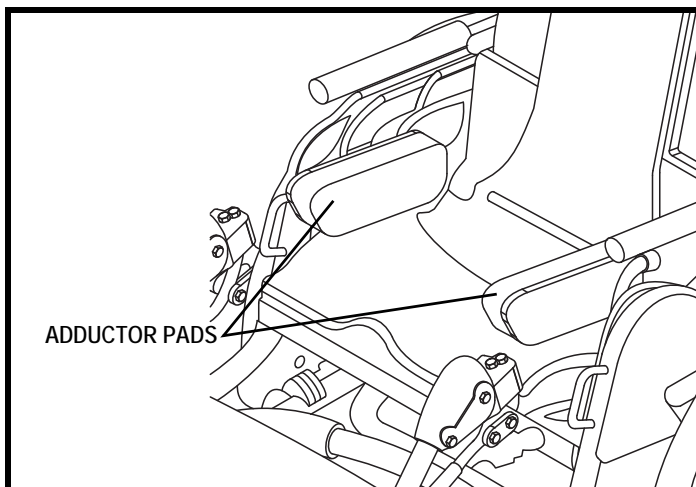


Figure 36. Kids ROCK 2 and ROCK 3 Hip Width Adjustment

V. COMFORT ADJUSTMENTS

Extension Limit and Force Adjustment (Kids FAST)

1. Engage attendant wheel lock. See figure 7.
2. Remove the child from the wheelchair.
3. Remove shell assembly from mobility base. See III. "Your Wheelchair."
4. Using two 1/8-in. hex wrenches, hold the spring securement bolt on the outside of the seat base and turn inner bolt counterclockwise. Remove bolt and washer. See figures 37 and 38.
5. Remove existing spring.
6. Install new spring. Be sure that the end of the spring hooks through the side plate. Refer to spring on opposite side to verify proper installation.
7. Reinstall bolt and washer. Tighten until bolt bottoms out in threads.
8. Check for smooth resistance. If spring binds, it may be necessary to loosen bolt in 0.25-in. (0.64-cm) turn increments until action is smooth. See figure 38.
9. Repeat procedure on opposite side. Chair will not function properly unless springs are identical from side to side.
10. Reinstall shell assembly and test function of extension force springs.

Extension Limit and Force Adjustment (Kids ROCK 2 and ROCK 3)

1. Engage the attendant or manual wheel locks. See figure 8 or 9.
2. Remove the child from the wheelchair.
3. Remove the rear wheel.
4. Using a 5/32-in. hex wrench and a 7/16-in. nut driver, remove the bolt from the lower pivot block below the spring and then pull the block away from the black plate. See figure 39.
5. Using a 3/4-in. wrench, remove the nut from below the spring. See figure 40.
6. Remove the spacer(s) and spring seat.
7. Remove spring and replace with a different spring.
8. Install spring seat. Install spacers if desired. See figure 40.
9. Install the nut. Make sure that there is compression on the spring when the nut is installed.
10. Slide the lower pivot block over the end of the round head bolt and reattach the pivot block to the black plate.

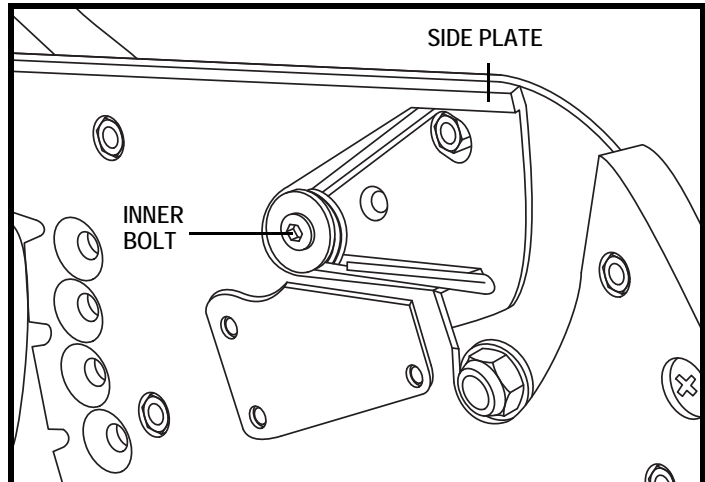


Figure 37. Extension Force Spring located in the Seat Base Side Plate (Kids FAST)

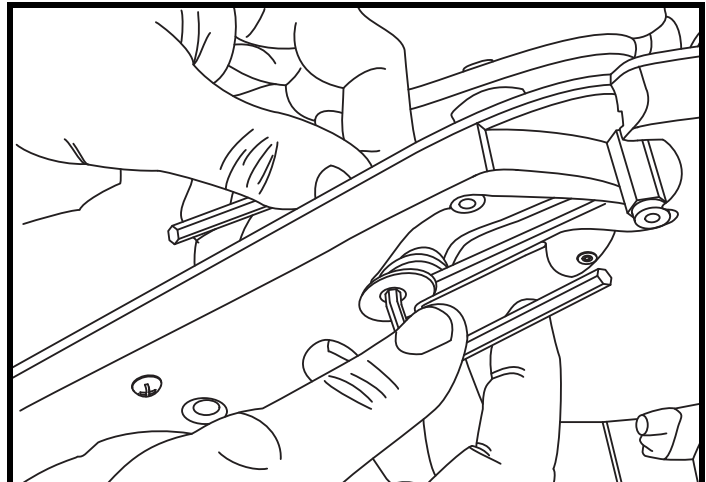


Figure 38. Changing Extension Force Spring (Kids FAST)

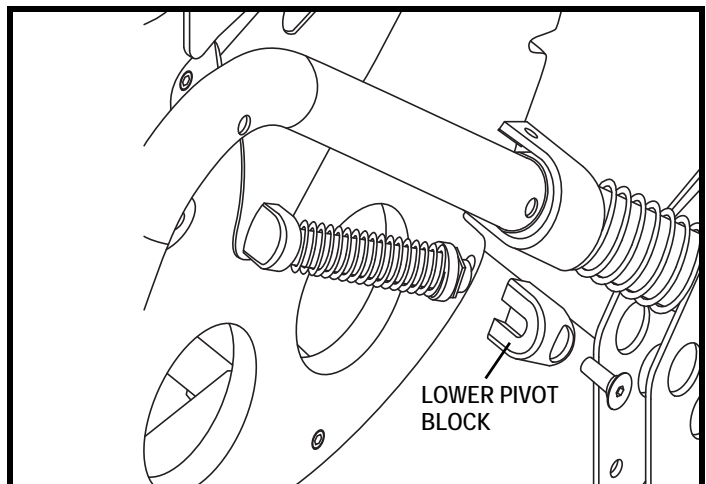


Figure 39. Changing Extension Limit and Force (Kids ROCK 2 and ROCK 3)

V. COMFORT ADJUSTMENTS

11. Repeat procedure on opposite side. Chair will not function properly unless springs are identical from side to side.
12. Install the wheels and make sure that the quick release axles are fully engaged.

Extension Limit and Force Adjustment (only Reaction Active Leg Rest)

1. Remove the calf protector to expose the lower end of the knee angle tensioning device.
2. Slide the triangular plate (near the child's knee) toward the front of the wheelchair to depress the button on the black ratchet. **See figure 41.**
3. Remove the bolt connecting the pivot block to the lower leg rest rigging. **See figure 42.**
4. Remove the pivot block and rubber bumper.
5. Use a 3/4-in. wrench to remove the nut from the spring assembly.
6. Remove the spring and spring seat.
7. Change the spring.
8. Reinstall the spring seat. Install spacers, if desired.
9. Install the nut. The spring must be compressed slightly to install the nut. Use a 3/4-in. wrench to tighten the nut until it is flush with the end of the tension tube.
10. Install the rubber bumper over the 0.25-in. (0.64-cm) shaft.
11. Thread the pivot block onto the 0.25-in. (0.64-cm) shaft. The pivot block does not have to be tight. Make sure that the shaft does not protrude into the 0.25-in. (0.64-cm) hole for the bolt. Three to four turns of the pivot block are ideal. Thread-locking glue (such as Loctite) is NOT necessary since this part cannot rotate once installed.
12. Install the bolt to connect the pivot block to the lower leg rest rigging.
13. Repeat on other side, if needed.
14. Reinstall the calf protector to cover the lower pivot point.



WARNING! Make sure calf protector is always installed.

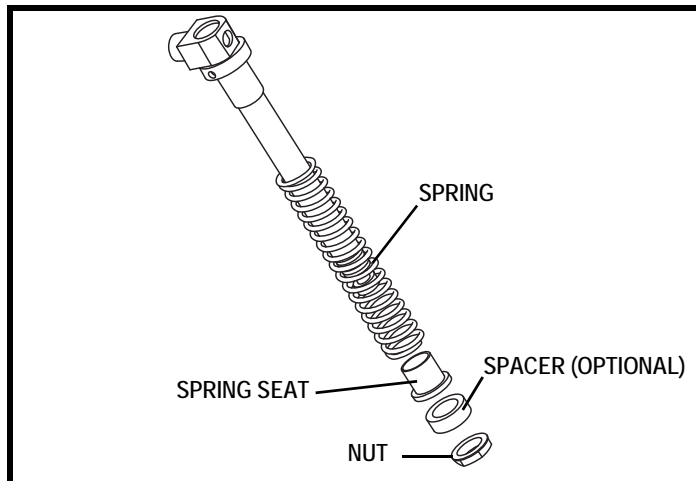


Figure 40. Upper Body Extension Limiter/Tensioner, Exploded View (Kids ROCK 2 and ROCK 3)

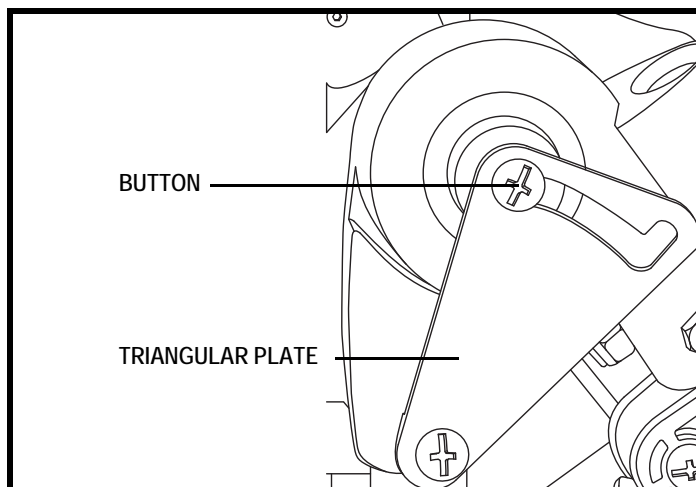


Figure 41. Triangular Plate

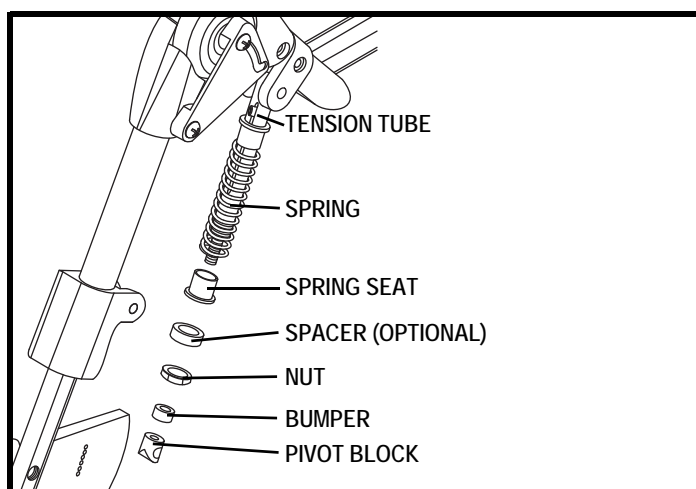


Figure 42. Knee Extension Limiter, Exploded View

V. COMFORT ADJUSTMENTS

Tilt-in-Space

The Kids UP Series Wheelchair is equipped with a tilt-in-space mechanism that pivots around a point near the child's center of gravity. Tilt-in-space reduces the sense of falling that occurs when the wheelchair is tilted. In addition, the tilt-in-space keeps the child's center of gravity nearly the same in relation to the wheelbase of the wheelchair, so the wheelchair's stability is not significantly changed by moving the tilt position. **See figures 43 and 44.**

WARNING! Before operating the tilt-in-space, ensure the child's arms are stable on the armrests or within the armrests and the child's legs and feet are stable on the footrest.



WARNING! Do not place hands, feet or foreign objects into the tilt mechanism.

WARNING! Do not add any accessories to the wheelchair not specifically designed for Kids UP Series Wheelchairs.

WARNING! Never exceed a tilt angle greater than 90° from an upright position. Never allow the seatback to be lower than parallel to the ground.

To adjust the tilt angle of the child:

1. Verify the wheelchair is in the locked state. See "ACTIVE Motion" in V. "Comfort Adjustments."
2. While holding the handlebar, use the lever on the handlebar to release the tilt lock. **See figures 45 and 46.**
3. Move the shell assembly to the desired tilt angle.
4. Release the lever on the handlebar to engage the tilt lock.
5. Verify the tilt lock is fully engaged by slightly moving the handlebar up and down.

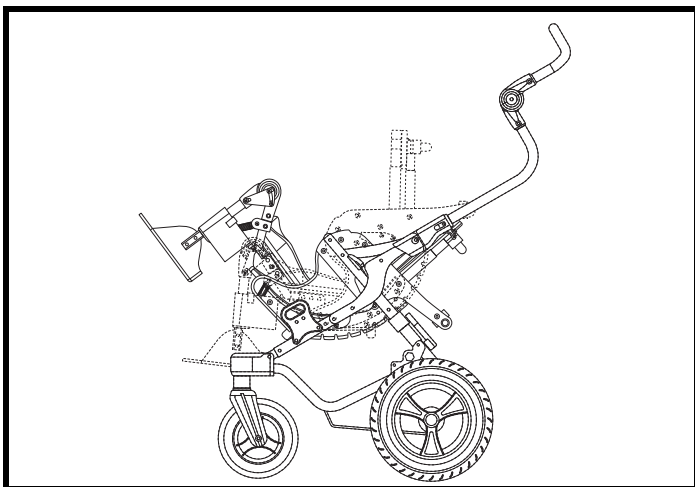


Figure 43. Tilt-in-Space (Kids FAST)

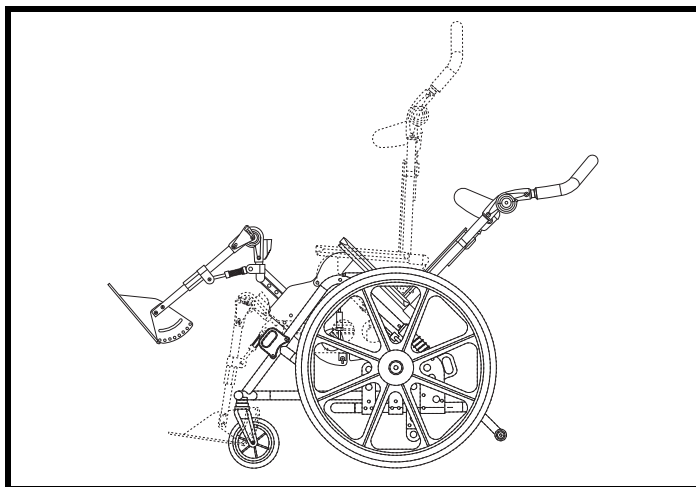


Figure 44. Tilt-in-Space (Kids ROCK 2 and ROCK 3)

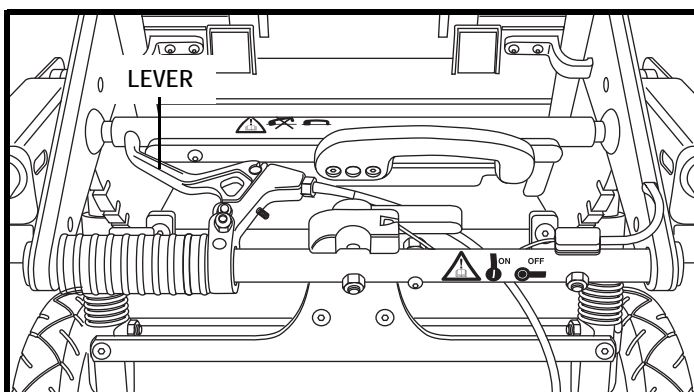


Figure 45. Tilt Adjustment (Kids FAST)

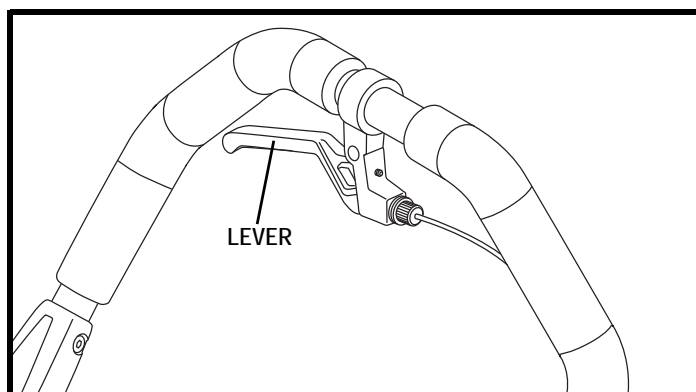


Figure 46 Tilt Adjustment (Kids ROCK 2 and ROCK 3)

V. COMFORT ADJUSTMENTS

ACTIVE Motion

The ACTIVE Motion on Kids UP Series Wheelchairs allows the child to flex or extend limbs in the wheelchair while maintaining proper pelvic positioning and therapeutic support. See figures 47 and 48.

Before enabling the ACTIVE Motion, verify the following:

- Hip angle adjustment pins are fully engaged.
- Tilt-in-Space mechanism is fully engaged.
- Anti-tip wheels are properly positioned (only Kids ROCK 2 and ROCK 3).
- Rear wheels are stable.
- Wheel locks are engaged.
- Wheelchair is on a flat surface.
- Area around wheelchair and child is clean.
- Child is not left unattended.



PROHIBITED! When ACTIVE motion is enabled, do not adjust the hip angle or tilt of the wheelchair.

To enable ACTIVE Motion:

1. If leg motion is desired, slide the triangular plate (near the child's knee) toward the front of the wheelchair to depress the button on the triangular plate. Lock the triangular plate by pressing down on its top. Repeat on other side. See figure 49.



WARNING! Ensure the child's fingers are away from the triangular plates before making adjustments to them. The child's fingers may be pinched.

2. Rotate the ACTIVE handle lever into the ON position. The child may start moving at this point. See figures 50 and 51.

To disable ACTIVE Motion:

1. Use the handlebar to hold the wheelchair in the down position and disengage the ACTIVE handle lever to lock the ACTIVE Motion.
2. Press forward slightly on the handlebar to lock completely.
3. If leg motion was activated, disable it by lifting the triangular plate then sliding it toward the rear of the wheelchair. Repeat on other side.



WARNING! Ensure the child's fingers are away from the triangular plates before making adjustments to them. The child's fingers may be pinched.

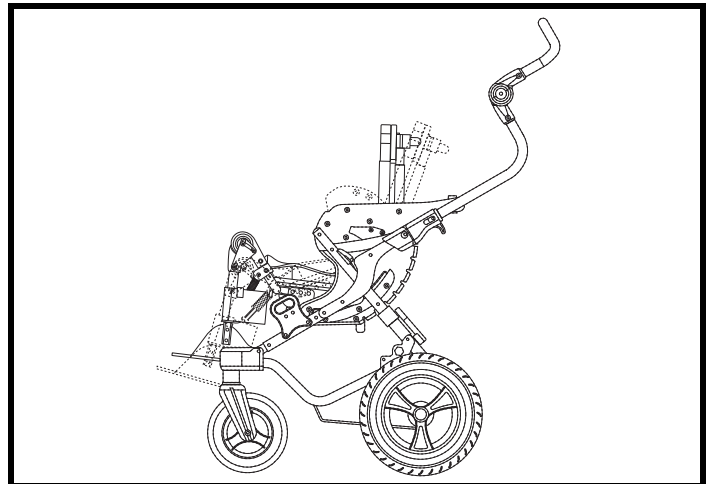


Figure 47. ACTIVE Motion (Kids FAST)

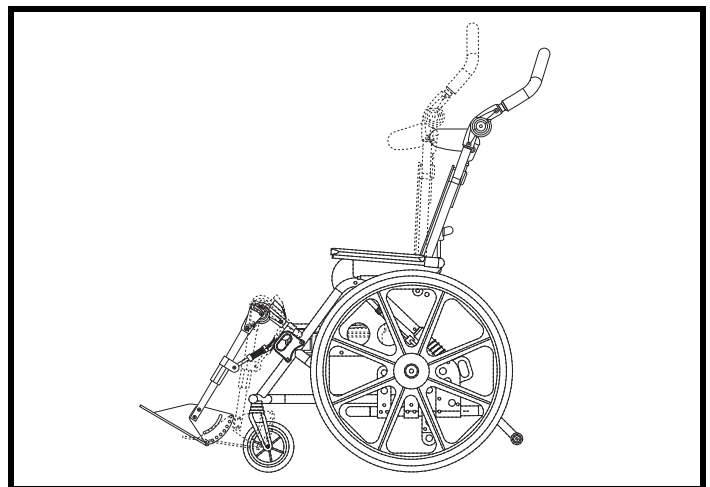


Figure 48. ACTIVE Motion (Kids ROCK 2 and ROCK 3)

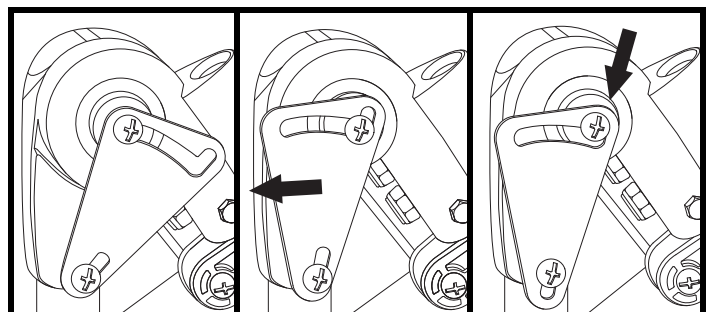


Figure 49. ACTIVE Leg Rests

V. COMFORT ADJUSTMENTS

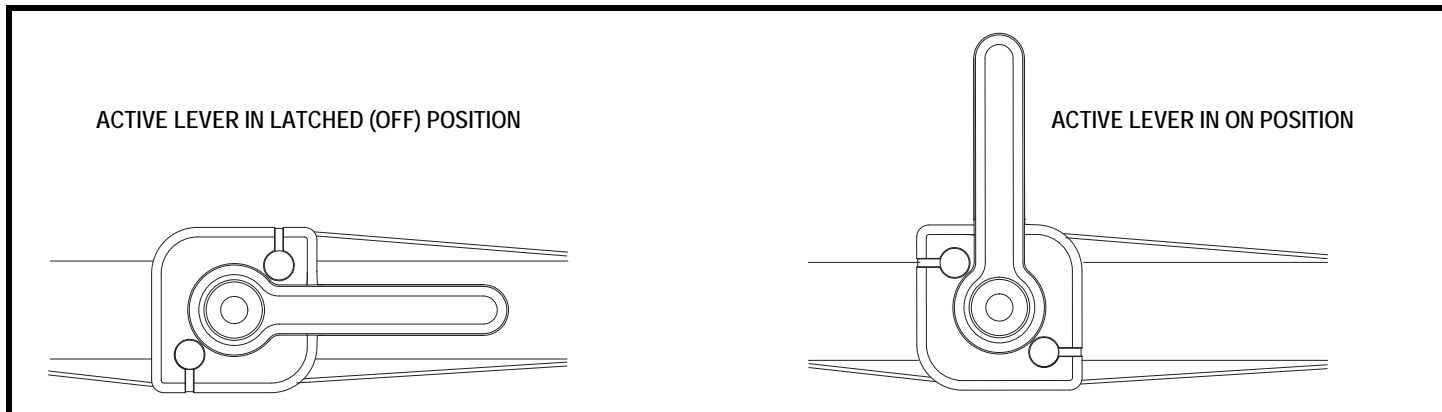


Figure 50. ACTIVE Handle Lever on Kids FAST

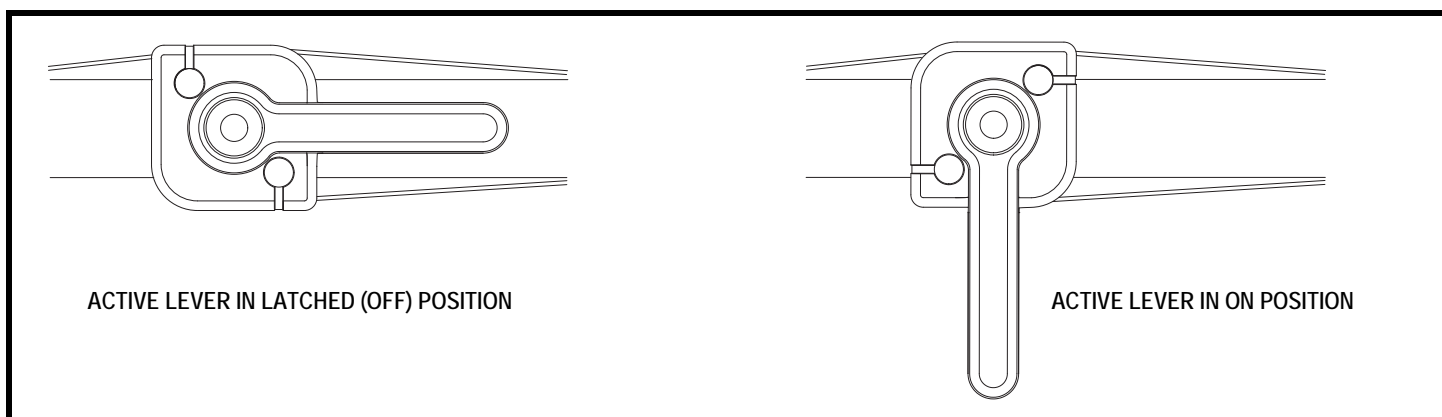


Figure 51. ACTIVE Handle Lever on Kids ROCK 2 and ROCK 3

Handlebar Angle Adjustment

1. Press the buttons on the black ratchets on both sides of the handlebar simultaneously. See **figure 52**.
2. While holding down the buttons, move the handlebar to the desired position.
3. Release the buttons on the black ratchets.

Installation of Positioning Belts



WARNING! Avoid serious injury. Always use positioning belt to prevent the child from falling or slipping out of wheelchair. After fastening buckles, adjust positioning belt to get a snug fit around the child.

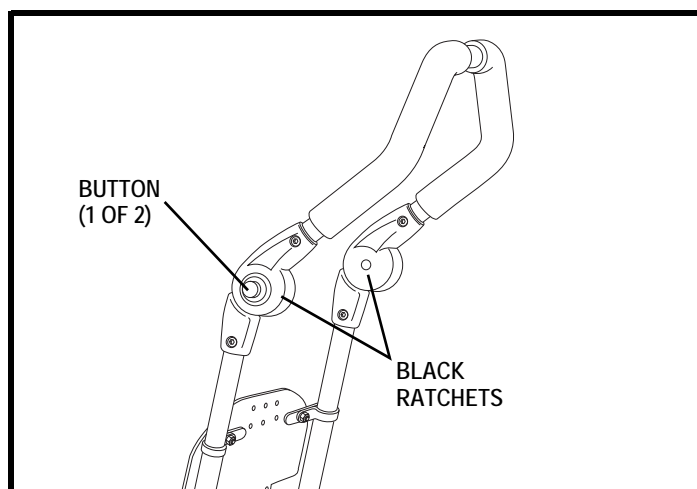


Figure 52. Handlebar Angle Adjustment

V. COMFORT ADJUSTMENTS

WARNING! Avoid serious injury. Do not place items with strings around your child's neck, suspend strings from the wheelchair, or attach strings to toys.



WARNING! Positioning belts should never be used for securement in motor vehicles. An additional automotive-rated seat belt is required.

To install the positioning belt:

1. Remove the seat cushion.
2. Use the positioning belt anchoring locations to attach the positioning belt, according to the manufacturer's instructions. See figure 53.
3. Reinstall the seat cushion.

WARNING! Positioning belt should never be used for securement in motor vehicles. The wheelchair does not ship equipped with a WC-19 compliant belt. An additional WC-19 compliant automotive-type seat belt is required when the wheelchair is used in vehicles.



Glide Rest Adjustment (Kids FAST)

To allow optimal ACTIVE function, it may be necessary to adjust the glide rests. Proper adjustment of the glide rests will enable the shell assembly to make stronger returns to an upright position from the extension position.

NOTE: The seat depth is measured from the front of the back cushion to the front edge of the seat cushion.

- For seat depths 10 in. (25.4 cm) or less, glide rests must be installed in position 1. See figure 54.
- For seat depths 10 in. (25.4 cm) or greater, glide rests can be installed in position 2. See figure 55.

To adjust glide rests:

1. Remove seat cushion.
2. Remove seat depth adjustment knob. See figure 28.
3. Remove lower shell assembly from upper shell assembly.
4. Using a 5/32-in. hex wrench, remove bolts.
5. Install glide rest in desired position then reinstall bolts and tighten.
6. Repeat on opposite side.
7. Reinstall lower shell assembly, seat depth adjustment knob, and seat cushion.

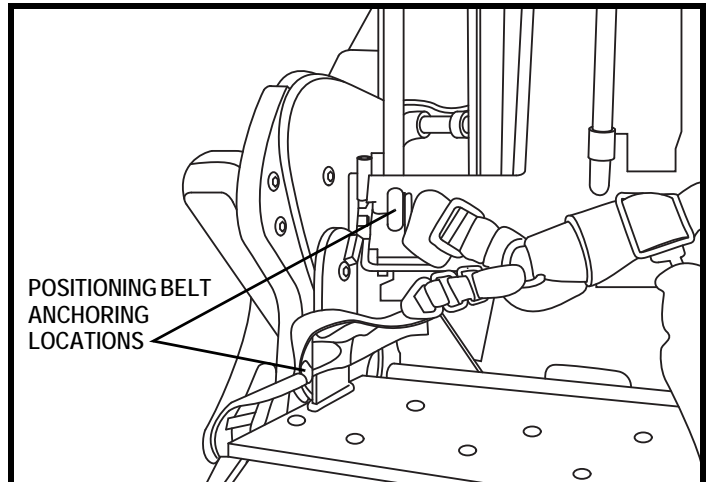


Figure 53. Positioning Belt Anchor Locations

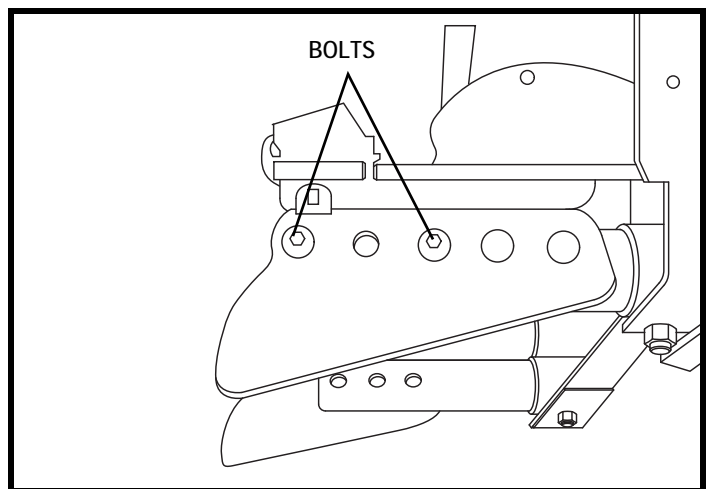


Figure 54. Kids FAST Glide Rest in Position 1

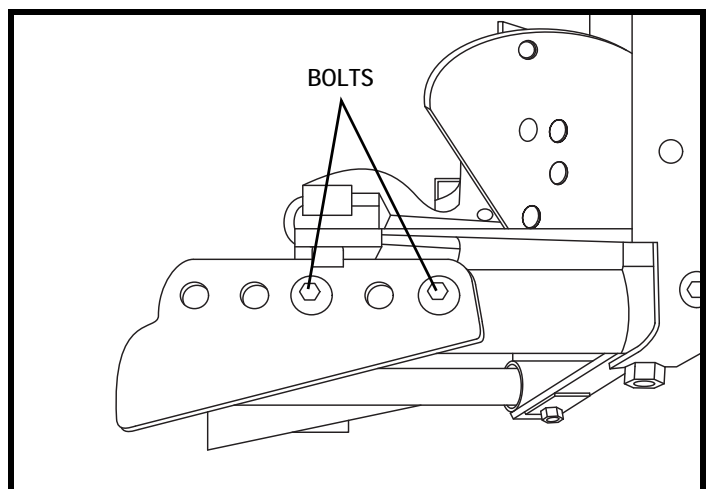


Figure 55. Kids FAST Glide Rest in Position 2

V. COMFORT ADJUSTMENTS

Short Leg Drop Adjustment (Kids FAST)

For shorter leg length adjustment, it is possible to mount the foot bed upside down.

To adjust shorter leg rest lengths:

1. Remove pivot plate adjustment bolt with a 3/16-in. hex wrench. Use a 7/16-in. nut driver and 5/32-in. hex wrench to remove footrest pivot bolt. **See figure 56.**
2. Using a 5/32-in. hex wrench, remove pivot plates from footrest extensions. **See figure 56.**
3. Flip pivot plates upside down and attach to opposite footrest extensions making sure that T-nut in counter-bored hole is bolted to upper hole in footrest extension. **See figure 57.**
4. Reinstall footrest upside down with pivot bolt through the lower hole of the extension. **See figure 57.**
5. Adjust desired leg drop, tighten leg length adjustment bolts. Reinstall pivot plate adjustment bolts.

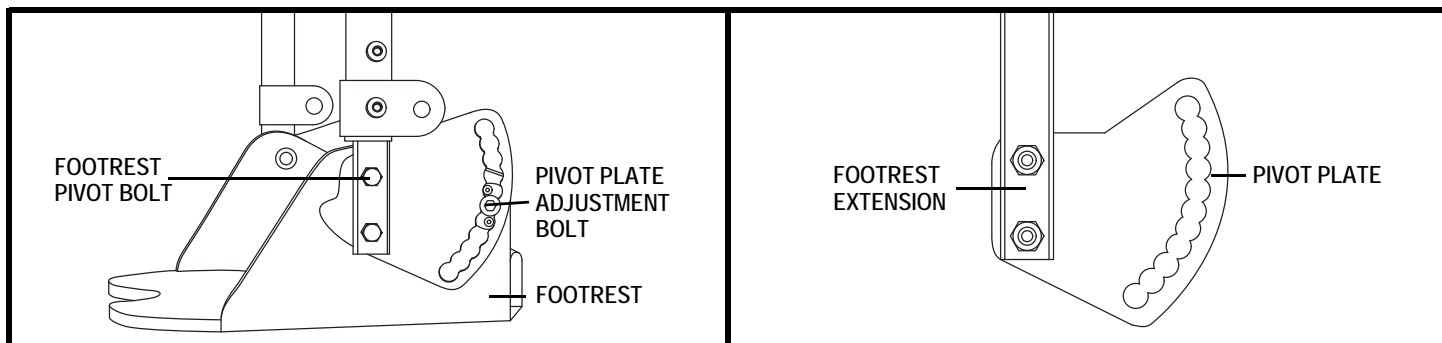


Figure 56. Footrest Assembly (Standard Leg Drop)

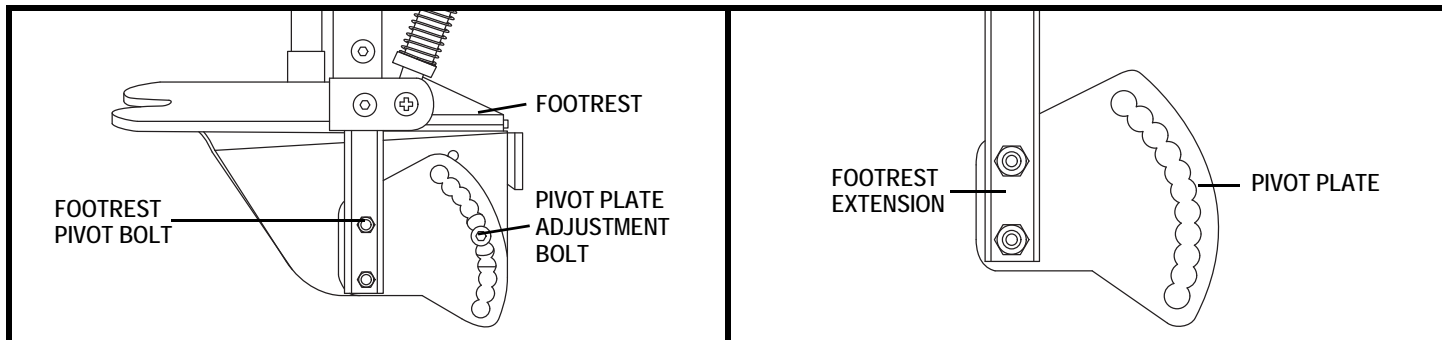


Figure 57. Footrest Assembly (Short Leg Drop)

V. COMFORT ADJUSTMENTS

Sunshade Installation and Removal (Kids FAST)

1. To install the sunshade, align the sunshade tubes with the sunshade mounts on the rear of the upper back plate. Push tubes into mounts until block contacts mount. **See figure 58.**
2. Secure sunshade to wheelchair by turning knob clockwise until tight. Do not over-tighten. **See figure 58.**
3. To remove sunshade, turn knobs counterclockwise and lift sunshade out of mounts.

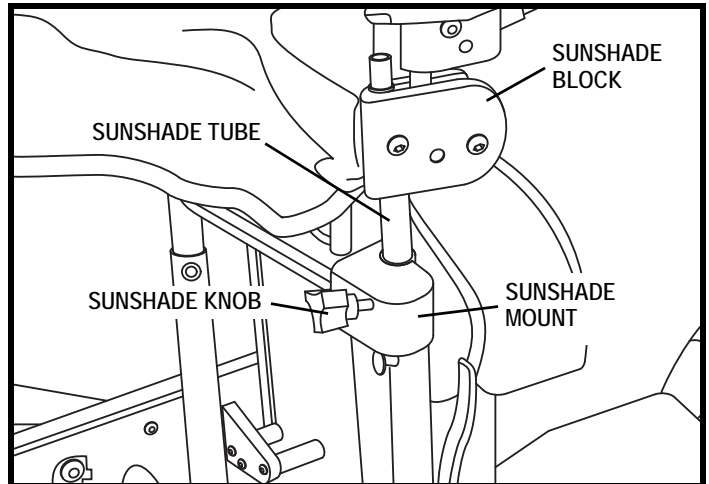


Figure 58. Sunshade Installation (Kids FAST)

VI. CARE AND MAINTENANCE

CARE AND MAINTENANCE

Your Kids UP Series Wheelchair requires routine maintenance checks. You can perform some of these checks, but others require assistance from your Quantum Rehab Provider. Preventive maintenance is very important. If you follow the maintenance checks in this section as scheduled, you can help ensure that your wheelchair gives you years of trouble-free operation. If you have any doubt as to your wheelchair's care or operation, contact your Quantum Rehab Provider.



WARNING! Do not service the wheelchair when the seat is occupied.

Your wheelchair is susceptible to damage from the elements. Avoid damp areas of any kind.



WARNING! Direct or prolonged exposure to water or dampness could cause the wheelchair to malfunction mechanically. Water can cause the chair's frame to rust. Wheelchairs should be examined periodically for signs of corrosion caused by water exposure, bodily fluids exposure, or incontinence. Damaged components should be replaced or treated immediately.

Should your wheelchair come in contact with water:

1. Dry your wheelchair as thoroughly as possible with a towel.
2. Allow your wheelchair to sit in a warm, dry place for 12 hours to allow unseen water to evaporate.
3. If any inconsistencies are found, take your wheelchair to your Quantum Rehab Provider. Wheelchairs that are frequently exposed to sources of water, such as incontinence, should be inspected often for corrosion.

Temperature

Some of the parts of your wheelchair are susceptible to extreme changes in temperature. Always keep your wheelchair between the temperatures of 18°F (-8°C) and 122°F (50°C).

General Guidelines

- Avoid prolonged exposure of your wheelchair to extreme conditions, such as heat, cold, or moisture.
- Make sure the pneumatic tires are inflated to the psi/bar/kPa air pressure rating indicated on the tire if equipped with pneumatic tires.



WARNING! Make sure your tires are inflated to the psi/bar/kPa air pressure rating indicated on the tire. Do not underinflate or overinflate your tires. Low pressure may result in loss of control, and overinflated tires may burst. Overinflating tires can cause them to explode.

WARNING! Do not use a high pressure hose to inflate your tires.

- Use a rubber conditioner on the tire sidewalls to help preserve them.



WARNING! Never use a rubber conditioner on the tread area of the tires; doing so may make the tires slippery and cause your wheelchair to skid.

- All wheel bearings are prelubricated and sealed. They require no subsequent lubrication.

Daily Checks

- Check for loose or missing screws, nuts, and bolts. Replace or tighten them as necessary.
- Check the tires. Look for uneven wear, holes, or tire/rim separation. If they look excessively worn, then have them replaced.
- Visually inspect pneumatic tires for punctures.
- Confirm correct air pressure as marked on the side of the tire.
- Check for flat spots on solid tires. Flat spots could adversely affect stability.

VI. CARE AND MAINTENANCE

- Check the handrims. Make sure that they are fastened securely to the wheels.
- Check the wheel locks. Make sure they work properly. If they don't, instructions on how to adjust them are provided in this manual or contact your Quantum Rehab Provider.



WARNING! The wheel locks are designed to keep your chair stationary while you are parked. They are not designed to stop the wheelchair during driving. Do not use either of the wheel locks to stop the wheelchair while driving it. This can cause your wheelchair to become unstable and tip.

Weekly Checks

- Check for proper tire inflation. Pneumatic tires should be inflated to the psi/bar/kPa air pressure rating indicated on the tire. If a tire does not hold air, see your Quantum Rehab Provider for replacement of the tube.
- Check the anti-tip wheels for wear or damage. See your Quantum Rehab Provider for replacement or repair.

Monthly Checks

- Check for drive tire wear. See your Quantum Rehab Provider for repair.
- Check the caster wheels for wear. Replace them as necessary.
- Check the caster forks for damage or fluttering which indicates that they may need to be adjusted or have the bearings replaced. See your Quantum Rehab Provider for repair.
- Keep your wheelchair clean and free of foreign material, such as mud, dirt, hair, food, drink, etc.

Yearly Checks

Take your wheelchair to your Quantum Rehab Provider for yearly maintenance, especially if you use your wheelchair on a daily basis. This helps ensure that your wheelchair is functioning properly and helps prevent future complications.

Storage

Your wheelchair should be stored in a dry place, free from temperature extremes.



WARNING! If you fail to store the unit properly, the frame can rust.

You may wish to place several boards under the frame of your wheelchair to raise it off of the ground during periods of prolonged storage. This takes the weight off the tires and reduces the possibility of flat spots developing on the areas of the tires contacting the ground.

Disposal of Your Wheelchair

Your wheelchair must be disposed of according to applicable local and national statutory regulations. Contact your local waste disposal agency or Quantum Rehab Provider for information on proper disposal of wheelchair packaging, metal frame components, plastic components, neoprene, silicone, and polyurethane materials.

Cleaning and Disinfection

- Use a damp cloth and mild, non-abrasive cleanser to clean the plastic and metal parts of your wheelchair. Avoid using products that may scratch the surface of your wheelchair.
- If necessary, clean your product with an approved disinfectant. Make sure the disinfectant is safe for use on your product before application.



WARNING! Follow all safety instructions for the proper use of the disinfectant and/or cleaning agent before applying it to your product. Failure to comply may result in skin irritation or premature deterioration of upholstery and/or wheelchair finishes.

WARNING! Never hose off your wheelchair or place it in direct contact with water. Your wheelchair has a painted finish that allows it to be easily wiped clean with a damp cloth.

VI. CARE AND MAINTENANCE



WARNING! Never use any chemicals to clean a vinyl seat, as they may cause the seat to become slippery or dry out and crack. Use soapy water and dry the seat thoroughly.

Wheel Replacement

Your wheelchair may be equipped with a tire and tube, tire and flat-free insert, or a solid polyurethane tire. Replacement tires, tubes, inserts, and tire assemblies are readily available through your Quantum Rehab Provider.



WARNING! The wheels on your wheelchair should only be serviced or replaced by a Quantum Rehab Provider or a qualified technician.

WARNING! When changing a tire, remove the entire drive wheel. If any further disassembly is required, deflate the tire completely or it may explode.

To replace a pneumatic tire tube, flat-free insert, or solid polyurethane tire:

1. Remove the drive wheel from the frame.
2. If equipped with pneumatic tires, make sure that the tube is deflated completely.
3. Use several tire levers to pry the tire from the rim. Tire levers are available from a bicycle shop.

NOTE: If your wheelchair is equipped with solid polyurethane tires, then no further disassembly is required. Go to step 7.

4. Remove the old tube or flat-free insert.
5. If equipped with pneumatic tires, inflate the new tube with enough air so that it just starts to take shape.
6. If equipped with pneumatic tires or flat-free inserts, install the tube or flat-free insert into the tire.
7. Use the tire levers to secure the tire back onto the rim.
8. If equipped with pneumatic tires, inflate the tire to the psi/bar/kPa air pressure recommended on the sidewall. Always use a regulated air source.
9. Reinstall the drive wheel to the frame. Make sure that the wheel axle is snapped securely into the frame bracket.

Manual Wheel Locks

After several months of use, you may find it necessary to adjust the wheel locks so that they lock securely when engaged. You also may need to adjust them after changing the drive wheel position.



WARNING! If your wheelchair is equipped with pneumatic tires, make sure they are inflated to the pressure recommended on the sidewall of the tire.

To adjust each manual wheel lock:

1. Disengage the wheel lock. **See figure 9.** The wheel lock blade should be 0.25 in. (0.64 cm) away from the tire for both pneumatic and solid tires.
2. Loosen the hardware that fastens the wheel lock clamp to the frame. **See figure 59.**
3. Reposition the wheel lock so that the blade is 0.25 in. (0.64 cm) away from the tire and perpendicular to the plane of the tire.
4. Tighten the hardware that fastens the wheel lock clamp to the frame.
5. Engage the wheel lock and note the position of the blade.
6. Reposition the wheel lock if necessary.
7. Repeat the procedure for the other side.

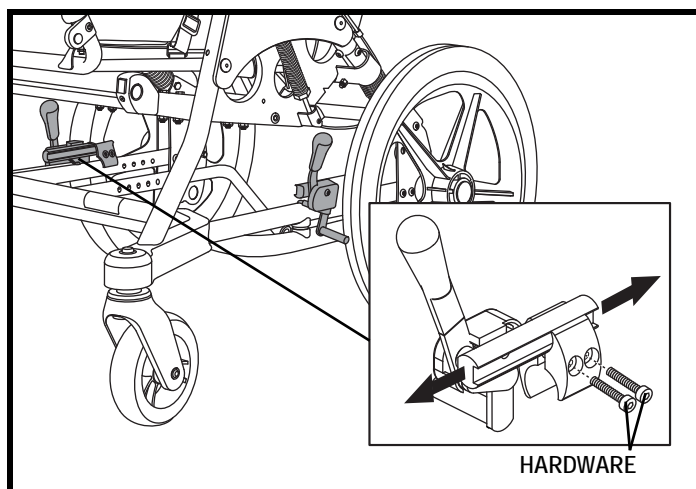


Figure 59. Manual Wheel Lock Adjustment

VI. CARE AND MAINTENANCE

MAINTENANCE CHART

Kids FAST			
	Frequency		
	Weekly	Every 3 Months	Every 6 Months
Check tires for wear		✓	✓
Check for proper adjustment of wheels locks	✓	✓	✓
Check for proper caster alignment		✓	✓
Verify all fasteners are tight		✓	✓
Verify quick release axles function properly	✓	✓	✓
Check tilt bar for proper engagement into side plates	✓	✓	✓
Check tilt cable for damage		✓	✓
Check wheels, tires, and spokes for damage		✓	✓
[ACTIVE] Verify smooth function, tight fasteners	✓	✓	✓
[ACTIVE] Check function of active lock system		✓	✓
[ACTIVE] Check function of active tension		✓	✓
[ACTIVE] Check spring preload			✓
Check frame for damage		✓	✓
Check all positioning shell parts for damage			✓
Check foot bed and headrest for damage		✓	✓
Check side plates for damage			✓

VI. CARE AND MAINTENANCE

MAINTENANCE CHART

Kids ROCK 2 and ROCK 3			
	Frequency		
	Weekly	Every 3 Months	Every 6 Months
Check tire air pressure	✓	✓	✓
Check tires for wear		✓	✓
Check anti-tip wheel tubes for damage	✓	✓	✓
Check for proper adjustment of wheels locks	✓	✓	✓
Check for proper caster alignment		✓	✓
Verify all fasteners are tight		✓	✓
Verify quick release axles function properly	✓	✓	✓
Check tilt bar for proper engagement into side plates	✓	✓	✓
Check tilt cable for damage		✓	✓
Check wheels, tires, and spokes for damage		✓	✓
[ACTIVE] Verify smooth function, tight fasteners	✓	✓	✓
[ACTIVE] Check function of active lock system		✓	✓
[ACTIVE] Check function of active tension		✓	✓
[ACTIVE] Check spring preload			✓
Check frame for damage		✓	✓
Check all positioning shell parts for damage			✓
Check foot bed and headrest for damage		✓	✓
Check side plates for damage			✓

When to See Your Quantum Rehab Provider for Service

The following symptoms could indicate a serious problem with your wheelchair. If necessary, contact your Quantum Rehab Provider. When calling, have the model number, serial number, and nature of the problem.

- Uneven wear on any of the tires
- Bent or broken wheel assemblies
- Loose or missing hardware that attaches the transit securement brackets or positioning belt anchor to the wheelchair
- Wheel locks not working properly

APPENDIX I—SPECIFICATIONS

Kids FAST	
Weight Limit	80 lbs. (36 kg)
Seat Depth Range	5.5–14.5 in. (14–36.8 cm)
Seat Width Range	6–12 in. (15.2–30.5 cm)
Back Height Range	11–19.5 in. (27.9–49.5 cm)
Hip Angle Adjustment	83° (144.9%), 90° (157.0%), 97° (169.3%), 104° (181.5%)
Tilt-in-Space Range	-5° to +45° (-8.7% to +78.5%)
Shell Weight (average configuration)	18.5 lbs. (8.4 kg)
Base Weight (with wheels)	28 lbs. (12.7 kg)
Push Handle Height Range	28–40 in. (71.1–101.6 cm)
Turning Radius	36 in. (91.4 cm)
Seat to Back Active Range	32° (55.9%)
Knee Active Range	36° (62.8%)
Fold Dimensions	(W) 23 in. x (H) 21 in. x (L) 35 in. [(W) 58.4 cm x (H) 53.3 cm x (L) 88.9 cm]
Tire Pressure	200 kPa (29 psi)

APPENDIX I—SPECIFICATIONS

KIDS ROCK 2 AND ROCK 3	
Weight Limit	ROCK 2: 110 lbs. (50 kg) ROCK 3: 215 lbs. (97 kg)
Seat Depth Range	ROCK 2: 10–16 in. (25.4– 40.6 cm) ROCK 3: 14–20 in. (35.6–50.8 cm)
Seat Width Range	ROCK 2: 8–14 in. (20.3–35.6 cm) ROCK 3: 12–17 in. (30.5–43.2 cm)
Back Height Range	ROCK 2: 12–22 in. (30.5–55.9 cm) ROCK 3: 18–26 in. (45.7–66.0 cm)
Lower Leg Length Range	ROCK 2: 6–16 in. (15.2–38.1 cm) ROCK 3: 12–20 in. (30.5–50.8 cm)
Hip Angle Adjustment	83° (144.9%), 90° (157.0%), 97° (169.3%), 104° (181.5%)
Tilt-in-Space Range	-5° to +45° (-8.7% to +78.5%)
Push Handle Height Range	ROCK 2: 32–48 in. (81.3–121.9 cm) ROCK 3: 30–48 in. (76.2–121.9 cm)
Seat to Back Active Range	35° (61.1%)
Knee Active Range	36° (62.8%)
Dimensions with Back Folded Down	ROCK 2: (W) 25 in. x (H) 27 in. x (L) 37 in. [(W) 63.5 cm x (H) 68.6 cm (L) 94 cm] ROCK 3: (W) 27 in. x (H) 27 in. x (L) 37 in. [(W) 68.6 cm x (H) 68.6 cm (L) 94 cm]
Tire Pressure	200 kPa (29 psi)

Kids UP™ Series

Pride USA

Pride Mobility Products Corporation
182 Susquehanna Avenue
Exeter, PA 18643-2694

Pride Canada

Pride Mobility Products Company
5096 South Service Road
Beamsville, Ontario L0R 1B3
Canada

Pride UK

Pride Mobility Products Ltd.
32 Wedgwood Road
Bicester, Oxfordshire OX26 4UL

Pride Australia

Pride Mobility Products Australia Pty. Ltd.
20-24 Apollo Drive
Hallam, Victoria 3803

Pride Italy

Pride Mobility Products Italia S.r.l.
Via del Progresso, ang. Via del Lavoro
Loc. Prato della Corte
00065 Fiano Romano (RM)

Pride B.V.

Pride Mobility Products Europe B.V.
Castricummer Werf 26
1901 RW Castricum
The Netherlands

www.pridemobility.com

Product Serial #



I N F M A N U 4 5 5 2

Free Manuals Download Website

<http://myh66.com>

<http://usermanuals.us>

<http://www.somanuals.com>

<http://www.4manuals.cc>

<http://www.manual-lib.com>

<http://www.404manual.com>

<http://www.luxmanual.com>

<http://aubethermostatmanual.com>

Golf course search by state

<http://golfingnear.com>

Email search by domain

<http://emailbydomain.com>

Auto manuals search

<http://auto.somanuals.com>

TV manuals search

<http://tv.somanuals.com>