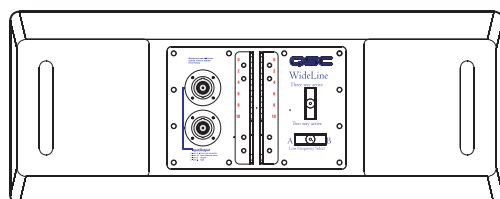
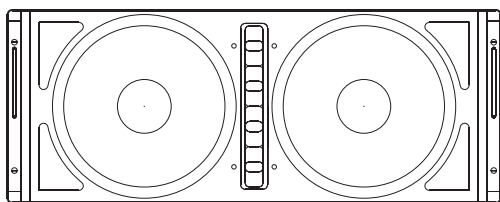
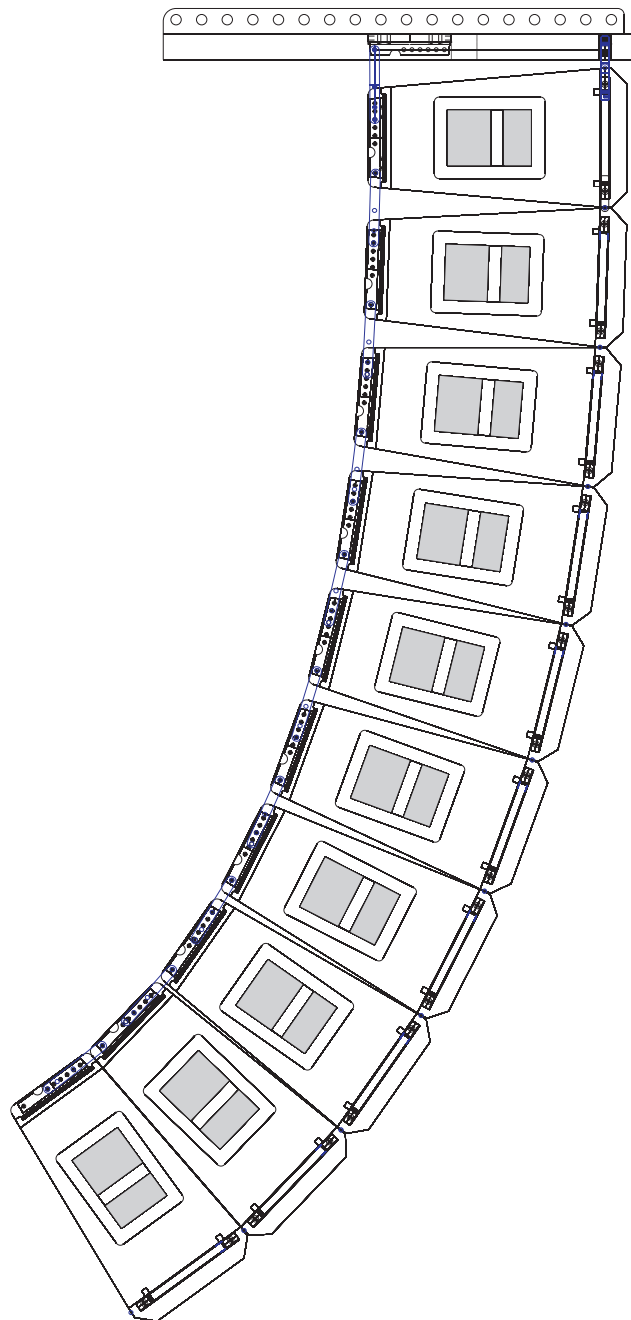
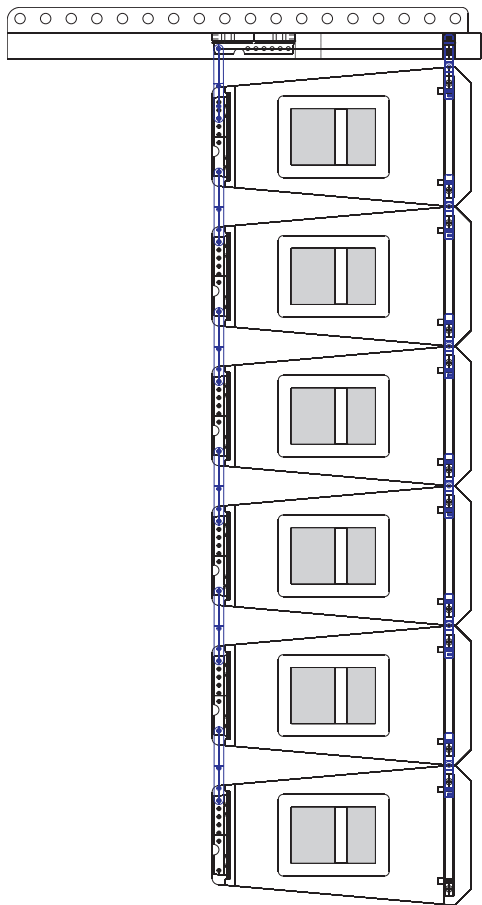




ISIS WideLine Loudspeaker User Manual

Manual del usuario para los altavoces ISIS WideLine
Manuel de l'utilisateur des haut-parleurs ISIS WideLine
ISIS WideLine-Lautsprecher – Benutzerhandbuch
ISIS WideLine 扬声器用户手册

Model WL 2102



TD-000188-00 rev.B

Download from www.somanuals.com. All Manuals Search And Download.

IMPORTANT SAFETY PRECAUTIONS

Install in accordance with QSC Audio Product's instructions and under the supervision of a licensed Professional Engineer.

WARNING!

Before placing, installing, rigging, or suspending any speaker product, inspect all hardware, suspension, cabinets, transducers, brackets and associated equipment for damage. Any missing, corroded, deformed, or non-load rated component could significantly reduce the strength of the installation, placement or array. Any such condition severely reduces the safety of the installation and should be immediately corrected. Use only hardware which is rated for the loading conditions of the installation and any possible short-term, unexpected overloading. Never exceed the rating of the hardware or equipment.

EN

Consult a licensed, Professional Engineer regarding physical equipment installation. Ensure that all local, state and national regulations regarding the safety and operation of flying equipment are understood and adhered to.

Warranty (USA only; other countries, see your dealer or distributor)

Disclaimer

QSC Audio Products, Inc. is not liable for any damage to amplifiers or any other equipment that is caused by negligence or improper installation and/or use of this loudspeaker product.

QSC Audio Products 3 Year Limited Warranty

QSC Audio Products, Inc. ("QSC") guarantees its products to be free from defective material and / or workmanship for a period of three (3) years from date of sale, and will replace defective parts and repair malfunctioning products under this warranty when the defect occurs under normal installation and use - provided the unit is returned to our factory or one of our authorized service stations via prepaid transportation with a copy of proof of purchase (i.e., sales receipt). This warranty provides that the examination of the return product must indicate, in our judgment, a manufacturing defect. This warranty does not extend to any product which has been subjected to misuse, neglect, accident, improper installation, or where the date code has been removed or defaced. QSC shall not be liable for incidental and/or consequential damages. This warranty gives you specific legal rights. This limited warranty is freely transferable during the term of the warranty period.

Customer may have additional rights, which vary from state to state.

In the event that this product was manufactured for export and sale outside of the United States or its territories, then this limited warranty shall not apply. Removal of the serial number on this product, or purchase of this product from an unauthorized dealer, will void this limited warranty.

Periodically, this warranty is updated. To obtain the most recent version of QSC's warranty statement, please visit www.qscaudio.com.

Contact us at 800-854-4079 or visit our website at www.qscaudio.com.

© Copyright 2005, QSC Audio Products, Inc.

QSC® is a registered trademark of QSC Audio Products, Inc.

Speakon® is a registered trademark of Neutrik® and the names of Neutrik® products referenced herein are either trademarks and/or service marks of Neutrik®.

M1® is a registered trademark of Starrett® (The L.S. Starrett Company)

LPS® is a registered trademark of LPS Laboratories

All trademarks are the property of their respective owners.

"QSC" and the QSC logo are registered with the U.S. Patent and Trademark Office

Introduction

The WideLine loudspeaker system has been designed to provide a compact system that has similar power handling, frequency response, and coverage of larger systems. Its primary uses include ballrooms, theatres, night clubs, houses of worship, and small to medium size events for the corporate/industrial market.

The WideLine system is suitable for stand alone applications as a full range, articulate, high fidelity, sound reinforcement product with the ability to reproduce almost any musical program without subwoofers or bass modules. It has bass response to 52 Hertz (-3 dB) in a small format package. Its 3-way, biamp or triamp design keeps required amplification to a minimum.

WideLine's exceptionally wide dispersion practically eliminates the need for "side" or "fill" hangs when used as the main array. Its wide dispersion also provides enhanced coverage when used as a center cluster or as a downfill or underhang enclosure when used with larger format line array systems.

Wide dispersion is accomplished with a 3" (76mm) diaphragm, 1.4" (36mm) exit neodymium high-frequency driver mounted on a proprietary, patent-pending multiple aperture diffraction-slot waveguide. This device is the ideal linear source needed for line array performance.

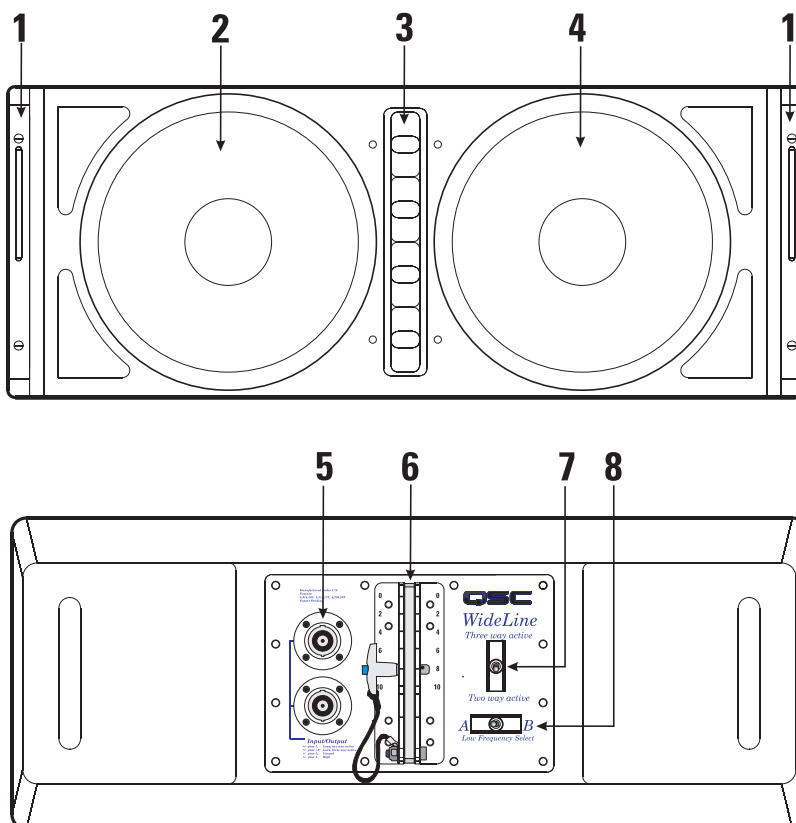
Internal, mid-frequency shading can be switched to either 10" (254mm) transducer. Both transducers handle the low-frequencies, but only the non-shaded transducer handles the mids.

This provides smoother pattern control at the mid-high crossover. With selectable shading, the enclosures can be used as house right or left by flipping the switch, not the enclosure.

The enclosure is constructed of lightweight cored-composite and weighs only 70lbs. (31.8kg), including the self-contained rigging hardware. The hardware allows for simple vertical splay angle adjustment of 0, 2, 3, 4, 5, 6, 7, 8, 9, and 10° between enclosures. Two array grids are available. The small array frame supports up to 8 enclosures flown or 4 enclosures stacked. The large array frame supports up to 24 enclosures flown or 12 enclosures stacked.

WideLine users can also use a software tool called EASE Focus to aid in the design and implementation of a WideLine array. EASE Focus can calculate the number of enclosures required for a given space (venue), determine the optimum splay angle between those enclosures, calculate at what angle to set the array grid in a single (variable) pick-point or fixed suspension point application, and predict the acoustical response and sound pressure levels throughout the venue in a two-dimensional illustration. The software is available separately; downloadable from the QSC website or contact QSC for more information.

Like all ISIS products, WideLine design focuses on accurate audio performance, rapid set-up, and reduced labor requirements. Ease of transportation, assembly, use, and self-contained rigging hardware make WideLine the clear choice. Combined with the ISIS 82H, 102M, 102W, 122M, 152M, 215PCM, and 215SB, the WideLine array system provides the most comprehensive toolbox for any sound reinforcement professional.



FRONT (grille removed)

1- Receiver tube (front left and right) with captive articulated joint (inside receiver tube) and ball-lock pins

2- Low frequency transducer B

3- High frequency transducer aperture

4- Low frequency transducer A

REAR

5- Input / output connectors (NL8)

6- Rear link, mounting block, and ball-lock pin

7- Three way / two way selector switch

8- Low frequency (shading) selector switch

Three way Active/Two way Active Switch

Two way active: The "full range" LF input is applied to pins 1+ and 1- and the -6dB per octave shading network is applied to one of the LF transducers using the Low Frequency Select switch (above).

Three way active: Shading network is NOT applied (shading must be provided by upstream signal processing). Connect the full-range input signal to pins 1+ and 1-, connect the shaded (processed) signal to pins 2+ and 2-. To flip shaded transducer location, use the Low Frequency Select switch or alter signal processing. Default Low Frequency Select switch position for three way mode is position A; if put in position B, connections (per Table 1) to LF transducers A and B are interchanged.

Three way active

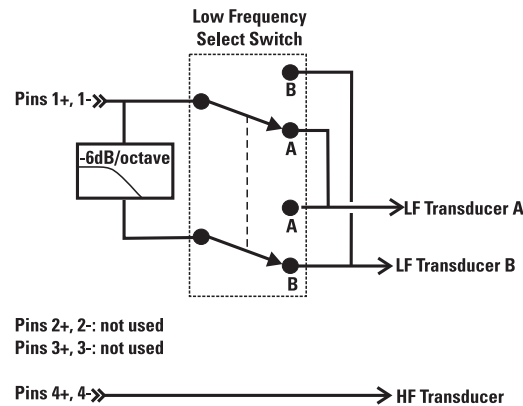
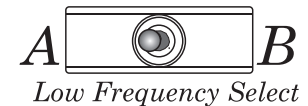


Two way active

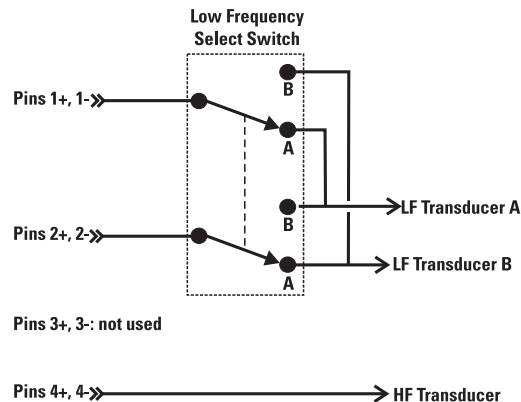
Low Frequency Select Switch

The WideLine is a three way design (shaded, non-shaded and high frequency) with shading provided by a passive network in two way mode or upstream signal processing (DSP) in three way mode. This allows switch position selection for use as either "house left" or "house right", without the need to flip boxes.

Two way Mode: The shading switch allows either low frequency transducer to be selected as the shaded unit (bass only) by inserting a -6dB per octave network. The switch handle points to the side of the non-shaded (full range) low-frequency transducer.



Three way Mode: The internal -6dB per octave network is **NOT** applied to either LF transducer. Shading is accomplished with signal processing. The switch handle points to the side of the non-shaded (full range) low-frequency transducer **ONLY** IF the full range signal is applied to pins 1+ and 1- and the shaded signal to pins 2+ and 2-. Default position for three way mode is position A; if put in position B, connections to LF transducers A and B are interchanged.



Input Connections

The input connectors are a pair of Neutrik NL8's wired in parallel. Connections for biamp and tri-amp vary, see Table 1. The pin designations for the NL8FC cable connector is shown for reference, bottom right.

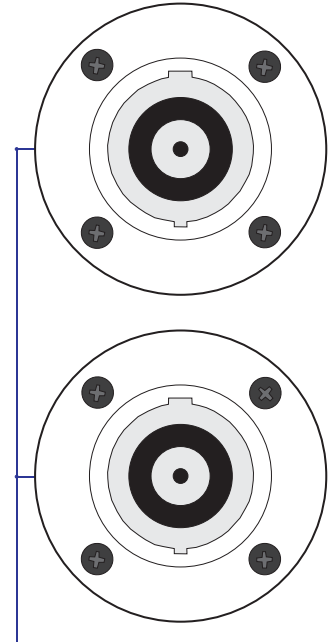


Note! In three way mode, the Low Frequency Select switch position determines the input connector wiring! Unexpected results may occur if switch positions and wiring are not strictly controlled.

The WideLine loudspeaker is not equipped with a crossover network. All signal processing must be done before connecting audio power to the loudspeaker. Do not connect full-range audio to the high-frequency transducer or damage may result!

Table 1: Input Connector Wiring, Two Way and Three Way Modes

Pin	Two Way Internal Shading Network Inserted in Signal Path	Three Way Use External Processing for Shading, LF Select Switch Position A	Three Way Use External Processing for Shading, LF Select Switch Position B
1+	LF +	LF A +	LF B +
1-	LF -	LF A -	LF B -
2+	Not Used	LF B +	LF A +
2-	Not Used	LF B -	LF A -
3+	Not used	Not used	Not used
3-	Not used	Not used	Not used
4+	HF +	HF +	HF +
4-	HF-	HF-	HF -



Input/Output

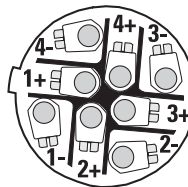
- +/- pins 1, - Lows, two way active
- +/- pins 1,2 Lows, three way active
- +/- pins 3, Unused
- +/- pins 4, High

EN

Neutrik NL8FC Cable Connector Pinout

Below is a diagram showing the pin designation inside the Neutrik NL8FC connector. This information is for reference only. Diagram is of the connector as viewed from the wire-insertion end.

NL8FC pin designations- Plug viewed from the wiring side.



Rigging



CAUTION: SUSPENDING SPEAKERS PRESENTS A RISK OF SERIOUS INJURY OR DEATH. PLEASE USE CAUTION TO ASSURE THAT MOUNTING SURFACES ARE CAPABLE OF SUPPORTING AT LEAST FIVE TIMES THE WEIGHT OF THE SPEAKER AND MOUNTING APPARATUS. USE ONLY LOAD RATED HARDWARE. ALWAYS CONSULT WITH A CERTIFIED PROFESSIONAL WHEN IMPLEMENTING OVERHEAD SUSPENSION.

The large array frame's maximum array is twenty-four (24) enclosures. Weight of a twenty-four box system is only 1680lbs and the large array frame weighs 83lbs. The small array frame supports a maximum of eight (8) enclosures with a system weight of 420lbs. and frame weight of 33lbs. The rigging hardware does not allow array assembly with any enclosure inverted.

The rigging system for WideLine has been engineered to achieve a minimum of the industry standard strength ratio of 5:1 with 24 enclosures on the large array frame or 8 enclosures on the small array frame. Palos Verdes Engineering has certified the mechanical calculations, and destructive tests have been performed by ATM Flyware.

WideLine enclosures use a three-point suspension system. The system consists of front, left/right, captive articulated joints and a single rear link blade. Articulation is in 2° increments using the first location on the link bar. With the use of the second location, 1° degree increments can be obtained starting at 3°. The total available angular increments are: 0, 2, 3, 4, 5, 6, 7, 8, 9, and 10°. All pieces and locking pins remain with the enclosures. No ancillary items are needed to fly the enclosures from the WideLine grid. All ball-lock pins are equipped with a lanyard to help prevent loss.

Front Articulated Joint (Knuckle) Hardware

Expose the end of the articulated joint by locating the joint's retaining screw protruding from the front of the receiver tube and sliding it upward. The front captive joint will slide upward from the enclosure's receiver tube.

The exposed end of the articulated joint can now be inserted into the adjacent enclosure's receiver tube and locked into position by a locking pin. This is repeated for each side of the enclosure. Then the rear link blade can be rotated into position and pinned at the chosen degree increment.

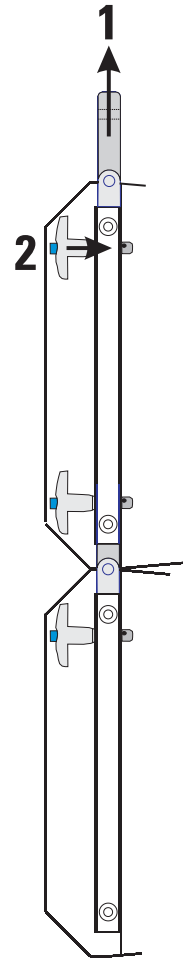
Rear Link (Angle Adjust) Hardware

The rear link is stored with the link folded between the sides of the block. To expose the link, remove the ball-lock pin and rotate the link into the desired position. Once positioned, the link is secured using the ball-lock pin of the adjacent enclosure.

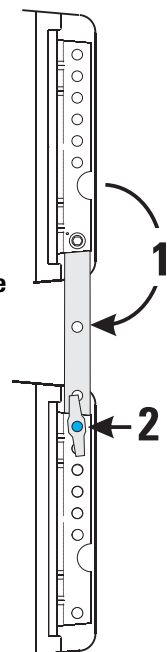
The rear link is marked with a thin, white line at the "normal" (0°) position and with a "+3" at the +3° position.

The additional ball-lock pin hole (located approximately midway on the link) is used for storing the link when folded into the enclosure's block for storage. The link may be pinned in place at the 0° or 8° location on the block when rotated into the storage position.

Front Articulated Joint- Slide the joint out of the receiver tube by sliding the retaining screw upward, then lock in place using the ball-lock pin.



Rear Link-Remove the ball lock pin from the storage position, then rotate the link downward to the adjacent enclosure. Lock in place using the ball-lock pin.



Adjusting the Angle Between Enclosures (Splay)

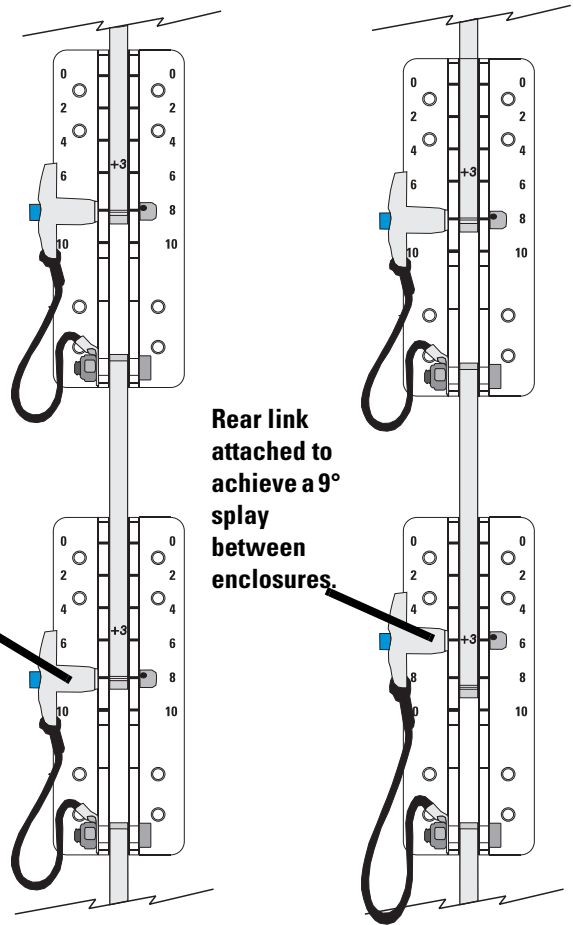
The illustration shows the rear pin block of two enclosures joined by the upper enclosure's rear link arm.

Use the first pin location (closest to the end) on the link arm for setting in normalized 2° increments. The left-side example shows two enclosures linked for 8° of splay. The ball-lock pin is inserted into the 8° position in the rear block while passing through the "normal" pin hole in the link.

When the "+3" location is used, an additional 3° are added to the "normalized" location. The right side example shows two enclosures linked for 9° of splay. The ball-lock pin is inserted into the 6° position in the rear block while passing through the "+3°" pin hole in the link. The total splay is the 6° indicated on the block, plus the 3° additional from the link position, for a total of 9°. In this manner 1° increments can be attained starting with 3° (0° block location and +3° link arm location).

Rear link attached to achieve an 8° splay between enclosures.

Rear link attached to achieve a 9° splay between enclosures.



Array Frames (Fly Grids)

There are two array frames available for the WideLine system.

The large frame is used for flying a typical four to twenty-four-box array. The large grid may be inverted and used to stack up to twelve or more enclosures.

A compact and easier to handle frame is available for use as a small array, four or less, stacking or fly grid. This grid will easily sit on deck stacked bass enclosures or it can be used at those smaller events to fly clusters from the stage trusses.

Large Array Frame (Fly Grid)

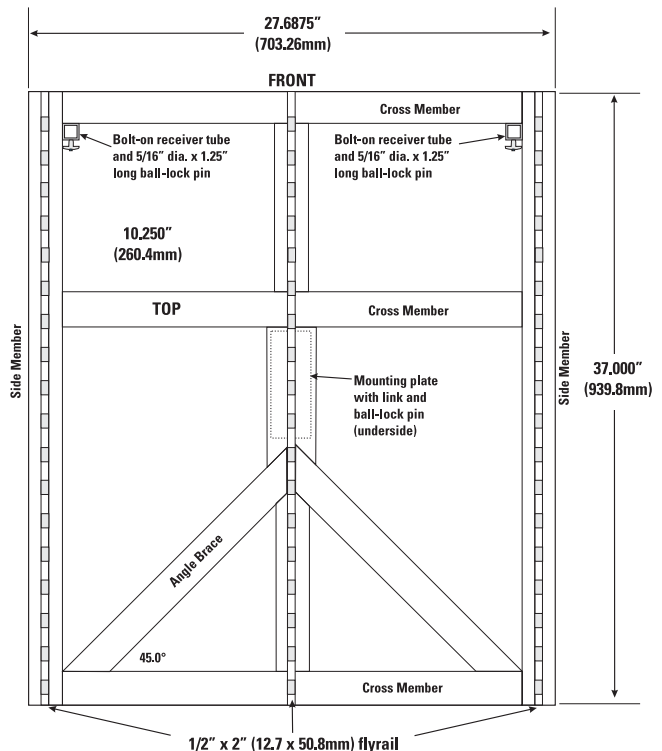
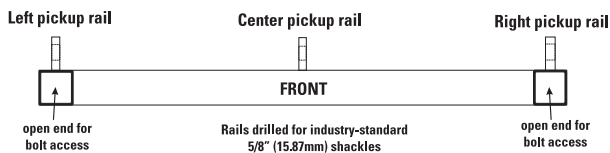


Do not fly (suspend) more than twenty-four (24) enclosures from the large array frame.

Do not stack more than twelve (12) enclosures on a large array frame.

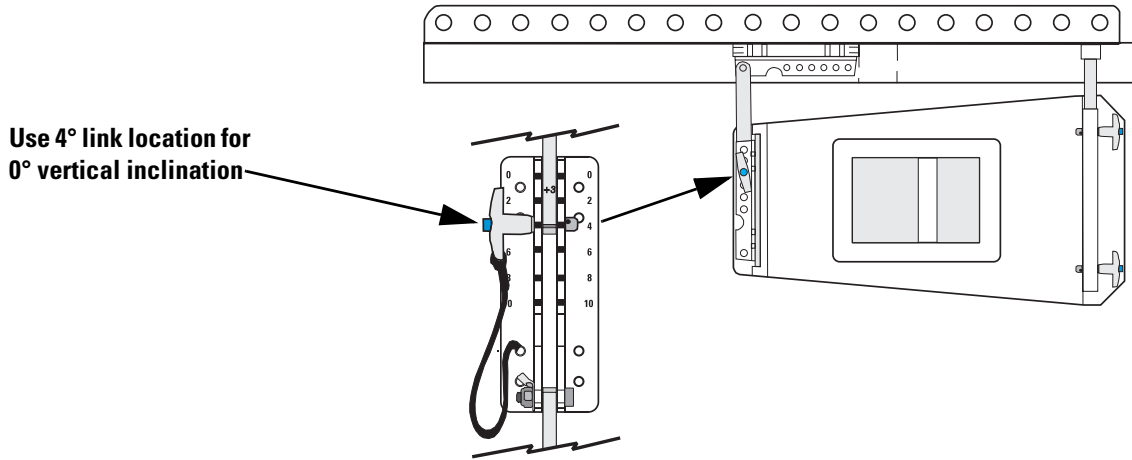
Use only 5/16" diameter x 1.25" long ball-lock pins on front receiver tubes.

The three pick up rails allow for any number of rigging solutions to fit the most demanding venues. The rails are drilled for industry standard 5/8" shackles.



Large Array Frame (continued)

The mounting plate and link on are located on the bottom side of the frame assembly. Use this link for attaching the rear of the first enclosure. The grid allows for up or down angle options for use with either stacking or flying. The 4° "normal" locations on the link system will yield a net 0° vertical inclination.



Small Array Frame (Stacking Grid)

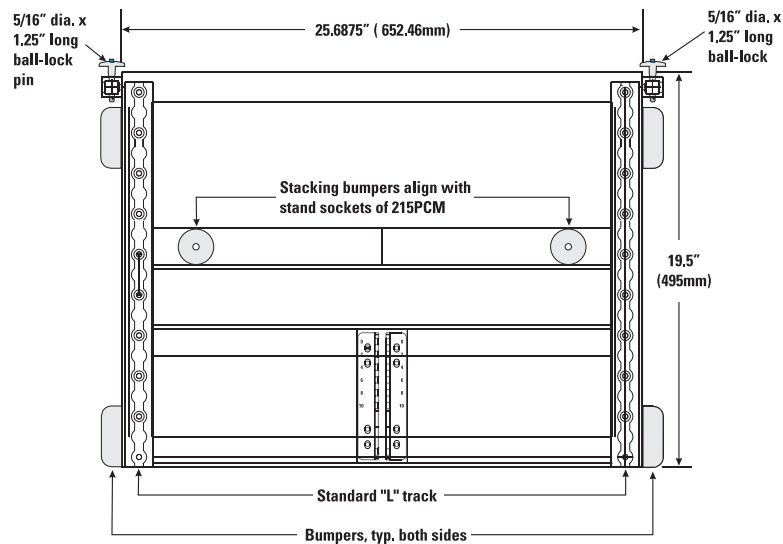


Do not fly (suspend) more than eight (8) enclosures from the small array frame.

Do not stack more than four (4) enclosures on a small array frame.

Use only 5/16" diameter x 1.25" long ball-lock pins on front receiver tubes.

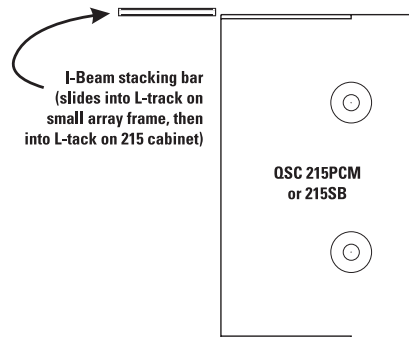
The small frame will easily handle four enclosures and will interface with the QSC 215PCM or 215SB subwoofer in both a stacked or flown configuration. The stacking bumpers on the frame may need to be moved to the opposite side of the frame member for use. The small frame is constructed using standard "L" track for rigging.



Stacking the Small Array Frame

The small array frame comes with two aluminum I-bars used for aligning and securing the frame to QSC's "215" subwoofer.

To use the I-bars, simply slide each one into the small frame's L-track and secure with a stud fitting. Then, turn the frame over (I-bars on the bottom) and slide the exposed I-bars into the subwoofer's L-track. Secure the I-bar with a stud fitting. Note that the stud fittings used are not required to be load rated as they only retain the I-bars from moving laterally.



When stacking a small array frame on top of QSC's 215SB or PCM cabinet, use the I-beam inserts (1 in each L-track) to assure proper alignment and to firmly secure the frame to the 215 cabinet. Secure using stud fittings.

Do not stack more than four (4) enclosures on a small array frame.

Care

The socket head cap screws used on the WideLine products are load-rated high-strength steel, not stainless steel. Stainless screws are not rated to handle the necessary load. Should any hardware require replacement, contact QSC's Technical Services for spare parts.

The rigging hardware is stainless steel which has been black oxide coated. The oxide coating is not corrosion-free.

We suggest wiping down all screws, pins, hardware, and frames with LPS[®] Dry Film Lube or Starrett M1[®] All Purpose Lube before and after outside gigs to help prevent oxidation. This will not only prevent the formation of rust and other oxides, but also provide lubrication, adding to the longevity and ease-of-use of the WideLine product.

Preliminary System Specifications (subject to change without notice)

Configuration:	Three way, biamp (active two way) or triamp (full three way active)
Frequency Response:	52Hz - 18KHz (+/- 3dB)
Sensitivity:	biamp: 97dB (2.83v @ 1m) triamp: 99dB (2.83v @ 1m)
Nominal coverage:	Horizontal:140deg. Vertical: Dependant on number of elements used
Nominal Impedance:	8 ohms, low frequency in biamp mode, 16 ohms low frequency in triamp mode 16 ohms, high frequency
Transducers:	
Low Frequency:	two 10" (254mm) long excursion, high power, 3" (76mm) voice coil, 16 ohm, 380 watts rms each
High Frequency:	3.0" (76mm) diaphragm, 1.4" (36mm) exit, 16 ohm neodymium compression driver on proprietary patent-pending waveguide, 80 watts rms
Recommended Amplifier Power:	300 watts high frequency 700 watts mid frequency triamp mode 700 watts low frequency triamp mode 1400 watts low/mid frequency in biamp mode

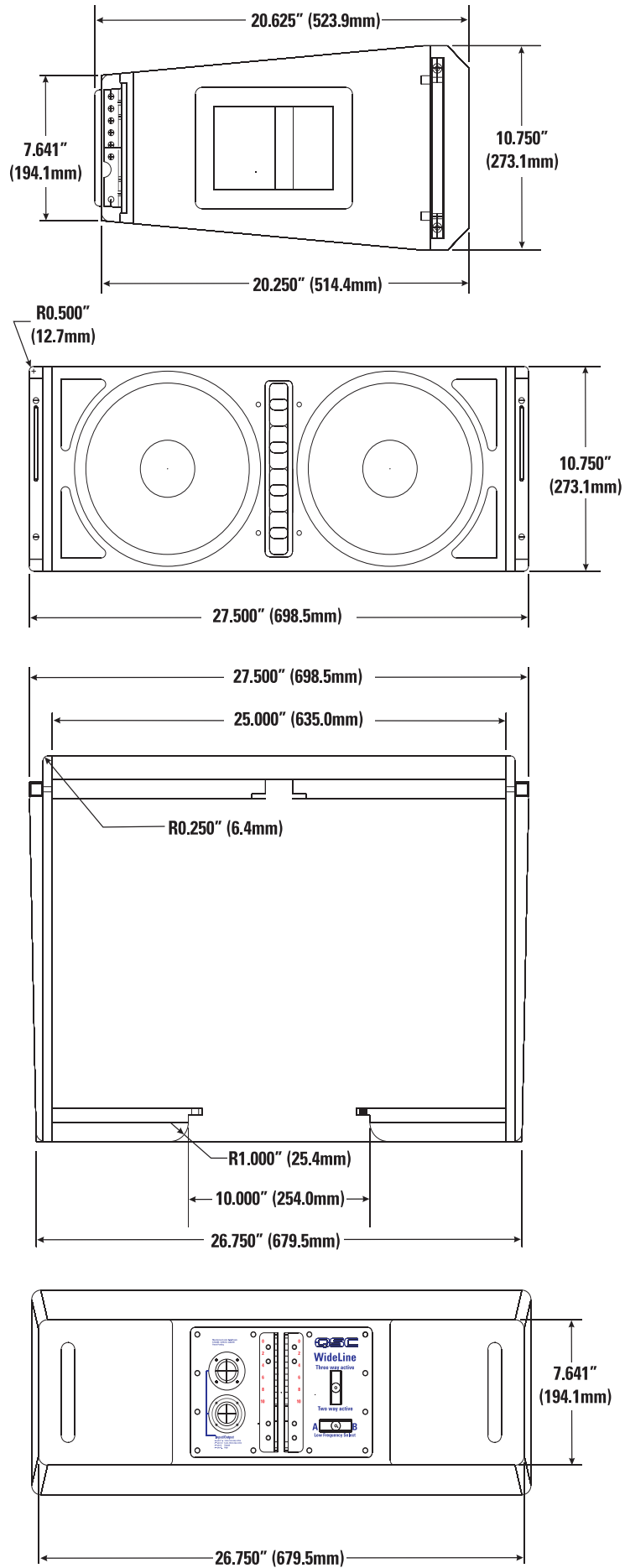
Enclosure:

Type:	Bass reflex (ported), trapezoidal
Material:	Cored Composite laminate
Finish:	Black or white texture coat
Grille:	Powder-coated steel
Connectors:	two Neutrik NL8
Attachment points:	Self contained rigging configuration. Each front receiver tubes contains a captive articulated joint (knuckle) and two ball-lock pins on lanyards. Rear mounting block has integral mounting link and one ball-lock pin on lanyard.
Weight:	70lbs, 31.8kg
Dimensions:	10.75" H x 27.5"W x 20.25"D 27.3cm H x 69.85cm W x 51.43cm D

Accessories

Array Frames:	Small array frame- 8 enclosure maximum for flown (suspended) applications, 4 enclosure max. for stacking on I-215 sub cabinet (deck applications). Frame weight 33lbs. / 15.0kg Large Array Frame- 24 enclosure maximum for flown (suspended) applications, 12 enclosure max. for deck stacking. Frame weight 84lbs. / 38.1kg
Software	EASE Focus line array modeling software tool available; visit www.qscaudio.com or contact QSC's Technical Services for DSP files for both QSControl.net and Signal Manager
Ball-lock Pins	5/16" dia. x 0.75" long, t-handle: p-n SR000052-00 5/16" dia. x 1.25" long, button-handle: p-n SR000081-00

Dimensions



EN

PRECAUCIONES IMPORTANTES DE SEGURIDAD

Instale de acuerdo con las instrucciones de QSC Audio Products y bajo la supervisión de un ingeniero profesional con la debida licencia.

¡ADVERTENCIA!

Antes de colocar, instalar, montar o suspender cualquier producto de altavoz, inspeccione todo el equipo físico, la suspensión, las cajas, los transductores, los soportes y el equipo asociado para detectar la existencia de daños. Cualquier componente faltante, corroído, deformado o no clasificado para carga podría reducir de manera significativa la resistencia de la instalación, colocación o arreglo. Cualquier condición de este tipo reduce gravemente la seguridad de la instalación y debe corregirse de inmediato. Utilice sólo el equipo físico clasificado para las condiciones de carga de la instalación y cualquier sobrecarga posible inesperada de poca duración. Nunca exceda el valor nominal del equipo físico ni del dispositivo.

Consulte con un ingeniero profesional con la debida licencia con respecto a la instalación del equipo físico. Asegúrese de comprender y acatar todas las normativas locales, estatales y nacionales referentes a la seguridad y operación de equipos suspendidos.

ES

Garantía (sólo para EE.UU.; para otros países, consulte con su vendedor o distribuidor)

Renuncia

QSC Audio Products, Inc. no es responsable de ningún daño a los amplificadores ni a ningún otro equipo que sea causado por negligencia o instalación y/o uso incorrectos de este producto de altavoz.

Garantía limitada de 3 años de QSC Audio Products

QSC Audio Products, Inc. ("QSC") garantiza que sus productos están libres de defectos y/o de mano de obra por un período de tres (3) años a partir de la fecha de venta, y reemplazará piezas defectuosas y reparará productos que funcionan mal bajo esta garantía cuando el defecto ocurra bajo condiciones normales de instalación y uso - siempre y cuando la unidad se devuelva a nuestra fábrica o a una de nuestras estaciones de servicio autorizado por medio del transporte previamente pagado con una copia del comprobante de compra (es decir, recibo de ventas). Esta garantía requiere que el examen del producto devuelto indique, en nuestra opinión, un defecto de fabricación. Esta garantía no se extiende a ningún producto que hubiera estado sometido a uso indebido, negligencia, accidente, instalación incorrecta, o en el que se hubiera quitado o modificado el código de la fecha. QSC tampoco será responsable por daños incidentales y/o emergentes. Esta garantía le otorga derechos legales específicos. Esta garantía limitada es libremente transferible durante el período de la misma.

El cliente podría gozar de derechos adicionales, que podrían variar de un estado a otro.

En caso de que este producto fuera fabricado para exportación y venta fuera de los Estados Unidos o sus territorios, entonces no será aplicable esta garantía limitada. La eliminación del número de serie en este producto, o la compra de este producto de un distribuidor no autorizado, anulará esta garantía limitada.

Esta garantía se actualiza periódicamente. Para obtener la versión más reciente de la declaración de garantía de QSC, visite www.qscaudio.com.

Comuníquese con nosotros en 800-854-4079 o visite nuestro sitio en Internet en www.qscaudio.com.

© Copyright 2005, QSC Audio Products, Inc.

QSC® es una marca comercial registrada de QSC Audio Products, Inc.

Speakon® es una marca comercial registrada de Neutrik® y los nombres de los productos de Neutrik® mencionados aquí son marcas comerciales y/o marcas de servicio de Neutrik®.

M1® es una marca comercial registrada de Starrett® (The L.S. Starrett Company)

LPS® es una marca comercial registrada de LPS Laboratories

Todas las marcas comerciales son propiedad de sus respectivos dueños.

"QSC" y el logotipo de QSC están registrados con la Oficina de Patentes y Marcas Comerciales de los Estados Unidos

Introducción

El sistema de altavoces WideLine ha sido diseñado para proporcionar un sistema compacto que tiene un manejo de potencia, respuesta de frecuencias y cobertura similar a los de los sistemas más grandes.

Sus usos principales incluyen salones de baile, teatros, clubes nocturnos, templos, y eventos pequeños a medianos para el mercado corporativo/industrial.

El sistema WideLine es apto para aplicaciones autónomas como producto de refuerzo sonoro de intervalo total, articulado, de alta fidelidad, con la capacidad de reproducir casi cualquier programa musical sin subwoofers o módulos de bajos. Tiene una respuesta a los bajos de 52 Hertz (-3 dB) en un paquete de formato pequeño. Su diseño de biamplificación o triamplificación en tres direcciones mantiene la amplificación requerida en un valor mínimo.

La dispersión excepcionalmente amplia de WideLine prácticamente elimina la necesidad de colgantes "laterales" o "de relleno" cuando se utiliza como formación principal. Su amplia dispersión también brinda una cobertura mejorada cuando se la utiliza como agrupamiento central o como sonido descendente o caja colgante al emplearse con sistemas de formación en línea de formato más grande.

Se logra una amplia dispersión mediante un excitador de salida de alta frecuencia de neodimio de 1,4" (36mm) y un diafragma de 3" (76mm) montado en una guíaonda propietaria con ranura de difracción de aperturas múltiples, cuya patente está en tramitación. Este dispositivo es la fuente lineal ideal para el rendimiento de la formación en línea.

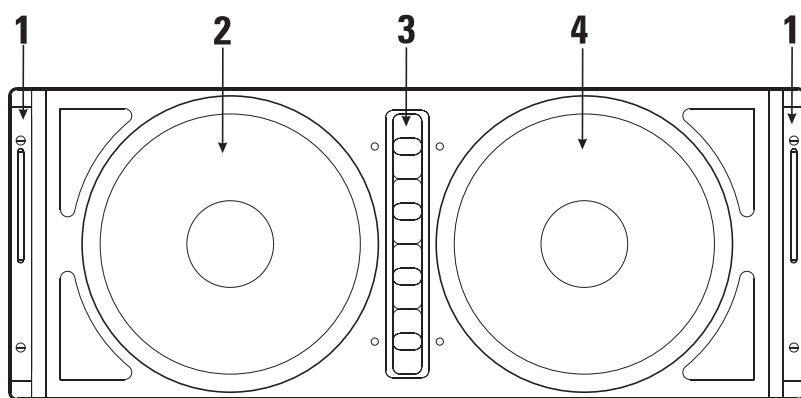
El sombreado interno de frecuencia media puede conmutarse a cualquiera de los transductores de 10" (254mm). Ambos transductores manejan las bajas frecuencias, pero sólo el transductor no sombreado maneja las medias. Esto brinda un control del patrón

más uniforme en el cruce de frecuencias media-alta. Con un sombreado seleccionable, las cajas pueden utilizarse como equipos de la derecha o de la izquierda de la sala con sólo mover el conmutador, y no las cajas.

La caja está construida de un compuesto hueco liviano y pesa sólo 70lbs. (31.8kg), incluido los herrajes de suspensión incorporados. Dichos herrajes permiten el ajuste sencillo del ángulo de abocinado vertical de 0, 2, 3, 4, 5, 6, 7, 8, 9 y 10° entre cajas. Se dispone de dos rejillas de formación. El bastidor para formaciones pequeñas admite hasta 8 cajas suspendidas o 4 cajas apiladas. El bastidor para formaciones grandes admite hasta 24 cajas suspendidas o 12 cajas apiladas.

Los usuarios de WideLine también pueden utilizar una herramienta de software denominada EASE Focus para asistir en el diseño e implementación de una formación WideLine. EASE Focus puede calcular el número de cajas requeridas para un espacio dado (sala), determinar el ángulo óptimo de abocinado entre dichas cajas, calcular a qué ángulo fijar la rejilla de formación en una aplicación de un solo punto de suspensión fijo, y predecir la respuesta acústica y los niveles de presión sonora a lo largo de la sala en una ilustración bidimensional. El software está disponible por separado; puede descargarlo del sitio web de QSC o bien, ponerse en contacto con QSC para obtener más información.

Al igual que todos los productos ISIS, el diseño WideLine incorpora un rendimiento exacto del audio, una instalación rápida y requisitos reducidos de mano de obra. La facilidad de transporte, el montaje, el uso y los herrajes de suspensión incorporados hacen que WideLine sea la opción predilecta. Combinado con los modelos ISIS 82H, 102M, 102W, 122M, 152M, 215PCM y 215SB, el sistema de formación WideLine proporciona la caja de herramientas más completa para cualquier profesional del refuerzo sonoro.



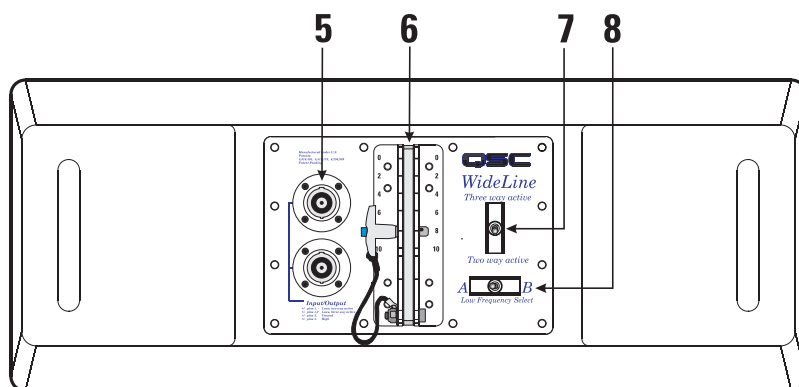
CARA FRONTAL (la rejilla se ha desmontado)

1- Tubo receptor (frontal izquierdo y derecho) con junta articulada cautiva (en el interior del tubo receptor) y pasadores de cierre esférico

2- Transductor B de baja frecuencia

3- Apertura del transductor de alta frecuencia

4- Transductor A de baja frecuencia



CARA POSTERIOR

5- Conectores de entrada / salida (NL8)

6- Articulación posterior, bloque de montaje y pasador de cierre esférico

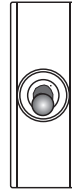
7- Conmutador selector de tres direcciones / dos direcciones

8- Conmutador selector de baja frecuencia (sombreado)

Conmutador activo en tres direcciones/activo en dos direcciones

Activo en dos direcciones: La entrada de baja frecuencia (LF) de "intervalo total" se aplica a las patillas 1+ y 1- y la red de sombreado de -6dB por octava se aplica a uno de los transductores de baja frecuencia usando el conmutador selector de baja frecuencia (indicado arriba).

Three way active

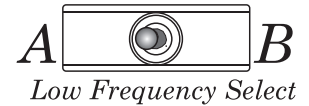


Two way active

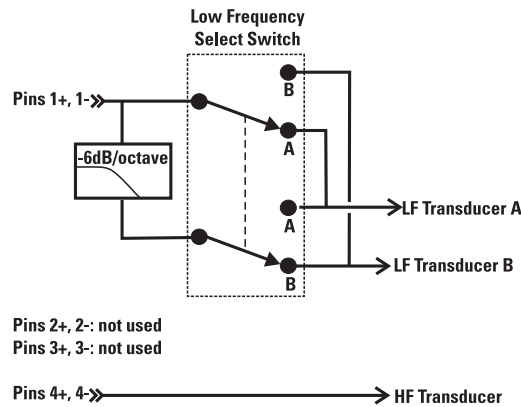
Activo en tres direcciones: NO se aplica la red de sombreado (el sombreado debe ser provisto por el procesamiento de la señal corriente arriba). Conecte la señal de entrada de intervalo total a las patillas 1+ y 1-, conecte la señal sombreada (procesada) a las patillas 2+ y 2-. Para alternar la ubicación del transductor sombreado, utilice el conmutador selector de baja frecuencia o altere el procesamiento de la señal. La posición por omisión del conmutador selector de baja frecuencia para el modo de tres posiciones es la posición A; si se coloca en la posición B, se intercambian las conexiones (según la Tabla 1) a los transductores de baja frecuencia A y B.

Conmutador selector de baja frecuencia

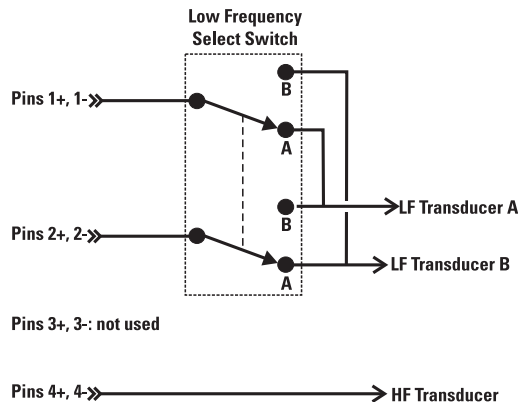
El modelo WideLine es un diseño de tres direcciones (sombreado, no sombreado y de alta frecuencia) siendo provisto el sombreado mediante una red pasiva en el modo de dos direcciones o mediante el procesamiento de la señal corriente arriba (DSP) en el modo de tres direcciones. Esto permite la selección de la posición del conmutador para uso como "a la izquierda de la sala" o "a la derecha de la sala" sin necesidad de alternar las cajas.



Modo de dos direcciones: El conmutador de sombreado permite seleccionar el transductor de baja frecuencia como la unidad sombreada (sólo bajos) al insertar una red de -6dB por octava. El mango de conmutación está orientado al costado del transductor de baja frecuencia no sombreado (intervalo total).



Modo de tres direcciones: La red interna de -6dB por octava **NO** se aplica a ninguno de los transductores de baja frecuencia. Se logra el sombreado mediante el procesamiento de la señal. El mango de conmutación está orientado al costado del transductor de baja frecuencia no sombreado (intervalo total) SOLAMENTE SI se aplica la señal de intervalo total a las patillas 1+ y 1-, y la señal sombreada a las patillas 2+ y 2-. La posición por omisión para el modo de tres posiciones es la posición A; si se coloca en la posición B, se intercambian las conexiones a los transductores de baja frecuencia A y B.



Conexiones de entrada

Los conectores de entrada son un par de dispositivos Neutrik NL8 cableados en paralelo. Las conexiones para biamplificación y triamplificación varían; consulte la Tabla 1. Las designaciones de las patillas para el conector de cable NL8FC se muestran como referencia, en la esquina inferior derecha.

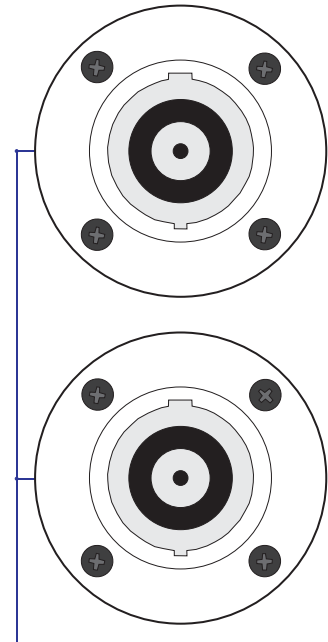


¡Nota! En el modo de tres direcciones, la posición del conmutador selector de baja frecuencia determina el cableado del conector de entrada. Pueden ocurrir resultados inesperados si no se controlan estrictamente las posiciones y el cableado del conmutador.

El altavoz WideLine no está equipado con una red de cruce. Todo el procesamiento de la señal debe realizarse antes de conectar la potencia de audio al altavoz. ¡No conecte el audio de intervalo total al transductor de alta frecuencia porque esto puede ocasionar daños!

Tabla 1: Cableado del conector de entrada, modos de dos y tres direcciones

Patilla	Dos direcciones Red interna de sombreado insertada en el camino de la señal	Tres direcciones Utilice el procesamiento externo para el sombreado, posición A del conmutador selector de baja frecuencia	Tres direcciones Utilice el procesamiento externo para el sombreado, posición B del conmutador selector de baja frecuencia
1+	LF +	LF A +	LF B +
1-	LF -	LF A -	LF B -
2+	No se utiliza	LF B +	LF A +
2-	No se utiliza	LF B -	LF A -
3+	No se utiliza	No se utiliza	No se utiliza
3-	No se utiliza	No se utiliza	No se utiliza
4+	HF +	HF +	HF +
4-	HF-	HF-	HF-



Input/Output

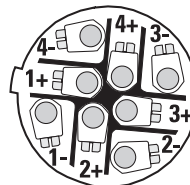
- +/- pins 1, - Low, two way active
- +/- pins 1,2 Low, three way active
- +/- pins 3, Unused
- +/- pins 4, High

ES

Indicación de las patillas del conector de cables Neutrik NL8FC

A continuación, se incluye un diagrama que muestra la designación de patillas en el interior del conector Neutrik NL8FC. Esta información sirve exclusivamente como referencia. El diagrama es del conector visto desde el extremo de inserción del alambre.

Designaciones de clavijas NL8FC- Enchufe visto desde el lado del cableado.



Suspensión



PRECAUCIÓN: LA SUSPENSIÓN DE LOS ALTAVOCES PRESENTA UN RIESGO DE LESIONES GRAVES O MUERTE. TENGA LA PRECAUCIÓN DE ASEGURARSE DE QUE LAS SUPERFICIES DE MONTAJE SEAN CAPACES DE SOPORTAR AL MENOS CINCO VECES EL PESO DEL ALTAVOZ Y DEL EQUIPO DE MONTAJE. SOLAMENTE UTILICE EQUIPO CLASIFICADO PARA LA CARGA. SIEMPRE CONSULTE CON UN PROFESIONAL CERTIFICADO AL IMPLEMENTAR LA SUSPENSIÓN A LO ALTO.

La formación máxima del bastidor para formaciones grandes es de veinticuatro (24) cajas. El peso de un sistema de veinticuatro cajas es de sólo 1680lbs y el bastidor para formaciones grandes pesa 83lbs. El bastidor para formaciones pequeñas admite un máximo de ocho (8) cajas con un peso del sistema de 420lbs. y un peso del bastidor de 33lbs. Los herrajes de suspensión no permiten montar la formación con alguna caja invertida.

El sistema de suspensión para el modelo WideLine se ha diseñado para lograr un mínimo de la relación de resistencia estándar en la industria de 5:1 con 24 cajas en el bastidor para formaciones grandes u 8 cajas en el bastidor para formaciones pequeñas. Palos Verdes Engineering ha certificado los cálculos mecánicos, y las pruebas destructivas han sido realizadas por ATM Flyware.

Las cajas WideLine utilizan un sistema de suspensión de tres puntos. Dicho sistema consta de juntas articuladas cautivas en la parte frontal y a la izquierda/derecha, así como una única hoja de articulación posterior. La articulación se hace en incrementos de 2° utilizando la primera ubicación en la barra de articulación. Con el uso de la segunda ubicación, se pueden obtener incrementos de 1° a partir de 3°. Los incrementos angulares totales disponibles son: 0, 2, 3, 4, 5, 6, 7, 8, 9 y 10°. Todas las piezas y pasadores de bloqueo permanecen dentro de las cajas. No se necesitan artículos auxiliares para suspender las cajas de la rejilla WideLine. Todos los pasadores de cierre esférico vienen equipados con un acollador para ayudar a evitar pérdidas.

Herrajes de la junta articulada frontal (nudillo)

Deje expuesto el extremo de la junta articulada ubicando el tornillo de retención que sobresale de la parte frontal del tubo receptor y deslízalo hacia arriba. La junta cautiva frontal se deslizará hacia arriba desde el tubo receptor de la caja.

El extremo expuesto de la junta articulada puede ahora insertarse en el tubo receptor de la caja adyacente y bloquearse en posición mediante un pasador de bloqueo. Esto se repite para cada lado de la caja. Luego, se puede girar la hoja de articulación posterior en posición, acoplándola al incremento angular elegido.

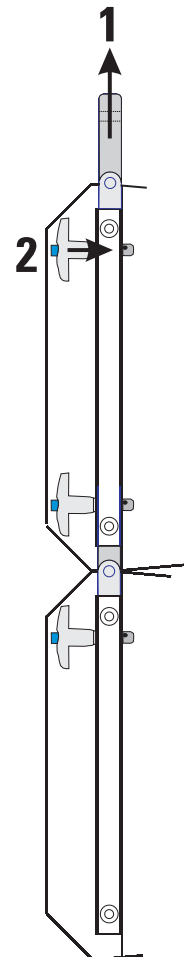
Herrajes de la articulación posterior (ajuste del ángulo)

La articulación posterior se almacena con la articulación plegada entre los lados del bloque. Para dejar expuesta la articulación, retire el pasador de cierre esférico y gire la articulación a la posición deseada. Una vez posicionada, la articulación se fija usando el pasador de cierre esférico de la caja adyacente.

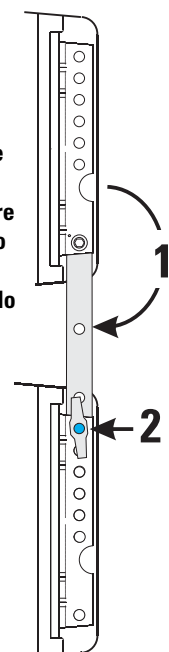
La articulación posterior se marca con una línea blanca delgada en la posición "normal" (0°) y con "+3" en la posición de +3°.

El orificio adicional para el pasador de cierre esférico (situado aproximadamente a la mitad de la distancia en la articulación) se utiliza para almacenar la articulación al estar plegada en el interior del bloque de la caja para su almacenamiento. La articulación puede fijarse en posición en la ubicación de 0° u 8° en el bloque al girarse a la posición de almacenamiento.

Junta articulada frontal-
Deslice la junta para quitarla del tubo receptor, deslizando el tornillo de retención hacia arriba y luego bloquee en posición usando el pasador de cierre esférico.



Articulación posterior-
Retire el pasador de cierre esférico de la posición de almacenamiento, luego gire la articulación hacia abajo hasta la caja adyacente. Bloquee en posición usando el pasador de cierre esférico.



Ajuste del ángulo entre cajas (abocinado)

La ilustración muestra el bloque del pasador posterior de dos cajas unidas por el brazo de articulación posterior de la caja superior.

Utilice la primera ubicación del pasador (la más cercana al extremo) en el brazo de articulación para fijar en incrementos normalizados a 2°. El ejemplo del lado izquierdo muestra dos cajas articuladas para un abocinado de 8°. El pasador de cierre esférico se inserta en la posición de 8° en el bloque posterior mientras pasa a través del orificio "normal" del pasador en la articulación.

Cuando se utiliza la ubicación "+3", se agregan 3° adicionales a la ubicación "normalizada". El ejemplo del lado derecho muestra dos cajas articuladas para un abocinado de 9°. El pasador de cierre esférico se inserta en la posición de 6° en el bloque posterior mientras pasa a través del orificio "+3°" del pasador en la articulación. El abocinado total es de 6° que es lo que aparece indicado en el bloque, más los 3° adicionales de la posición de la articulación, para un total de 9°. De esta manera, puede lograrse incrementos de 1° a partir de 3° (ubicación del bloque de 0° y ubicación del brazo de articulación de +3°).

Bastidores para formaciones (rejillas de suspensión)

Hay dos bastidores para formaciones disponibles para el sistema WideLine.

El bastidor grande se utiliza para suspender una formación típica de cuatro a veinticuatro cajas. La rejilla grande puede invertirse y utilizarse para apilar hasta doce cajas o más.

Se dispone de un bastidor compacto y más fácil de manipular para uso como rejillas para una formación pequeña, de cuatro cajas o menos, apiladas o suspendidas. Esta rejilla puede apoyarse fácilmente en cajas para bajos apiladas en una plataforma o puede utilizarse en aquellos eventos más pequeños para suspender agrupaciones desde las ménsulas del escenario.

Bastidor para formaciones grandes (rejillas de suspensión)

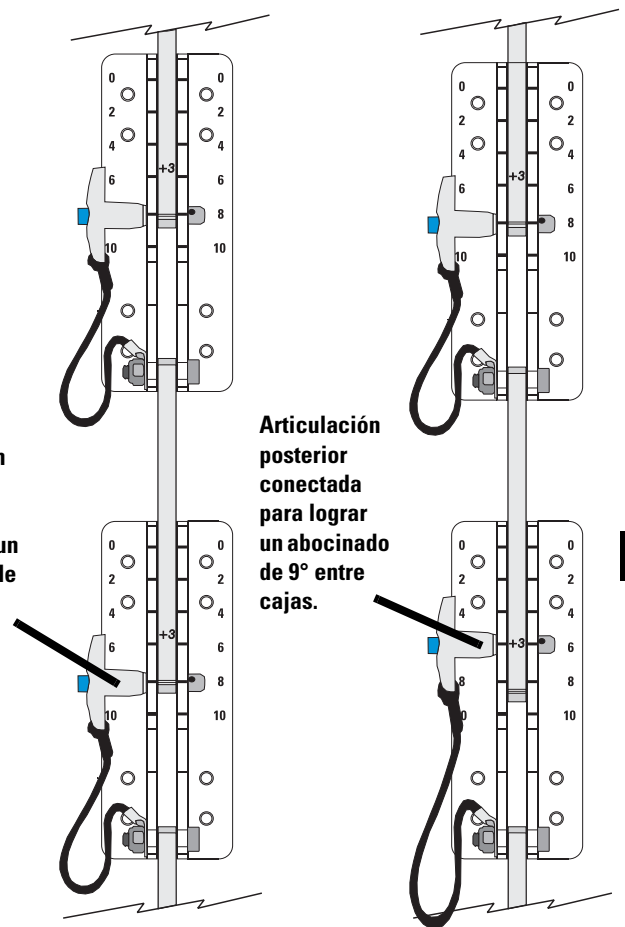
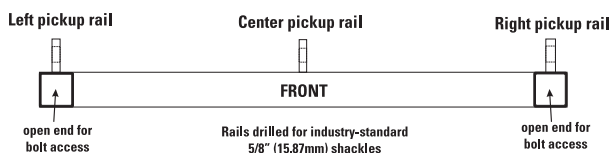


No suspenda más de veinticuatro (24) cajas desde el bastidor para formaciones grandes.

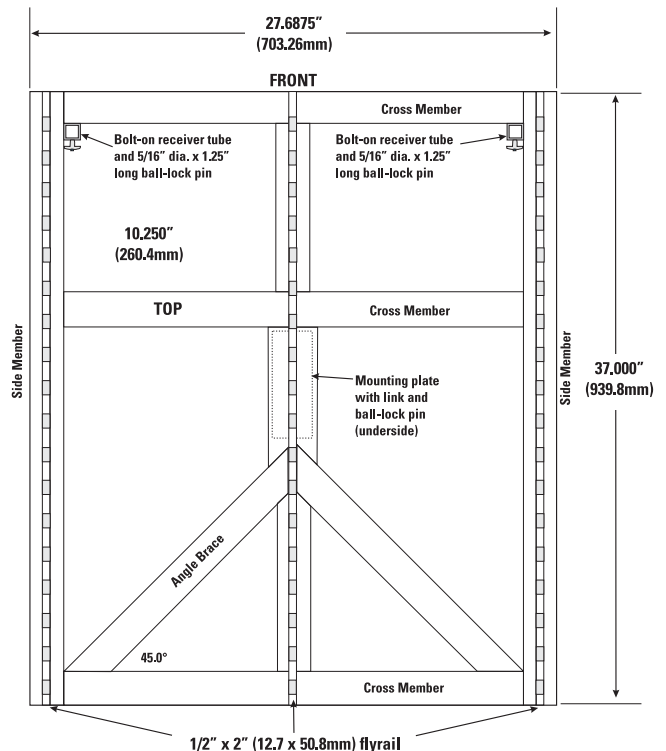
No apile más de doce (12) cajas en un bastidor para formaciones grandes.

Utilice sólo pasadores de cierre esférico de 5/16" de diámetro x 1.25" de largo en los tubos receptores frontales.

Los tres rieles de recogida permiten cualquier número de soluciones de suspensión para adaptarse a las salas más exigentes. Los rieles están perforados para grilletes de 5/8", estándar en la industria.

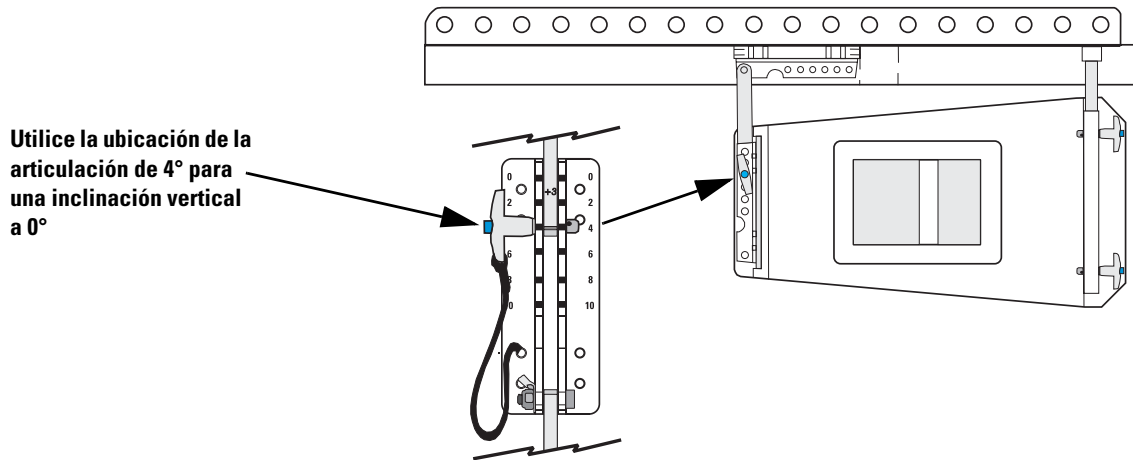


ES



Bastidor para formaciones grandes (continuación)

La placa de montaje y la articulación se encuentran ubicadas en la cara inferior del conjunto de bastidores. Utilice esta articulación para conectar la parte posterior de la primera caja. La rejilla permite opciones de ángulos hacia arriba o hacia abajo para uso con equipos apilados o suspendidos. Las ubicaciones "normales" a 4° en el sistema de articulación brindarán una inclinación vertical neta de 0°.



ES

Bastidor para formaciones pequeñas (rejilla de apilado)

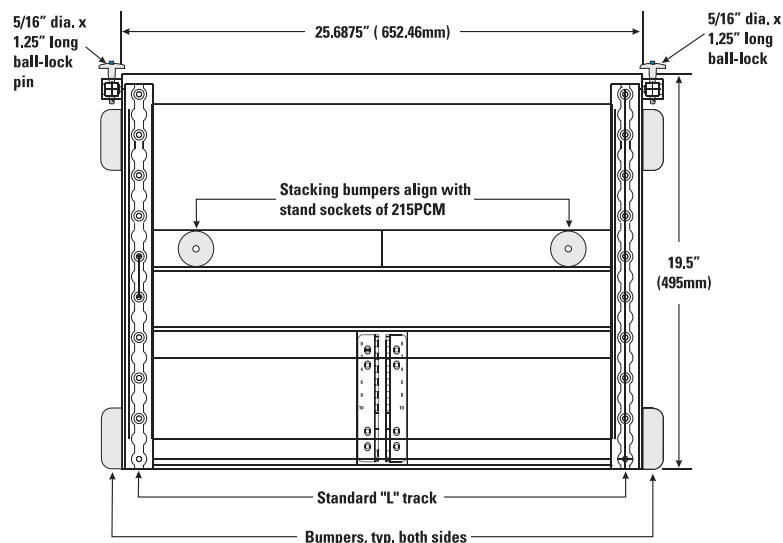


No suspenda más de ocho (8) cajas desde el bastidor para formaciones pequeñas.

No apile más de cuatro (4) cajas en un bastidor para formaciones pequeñas.

Utilice sólo pasadores de cierre esférico de 5/16" de diámetro x 1.25" de largo en los tubos receptores frontales.

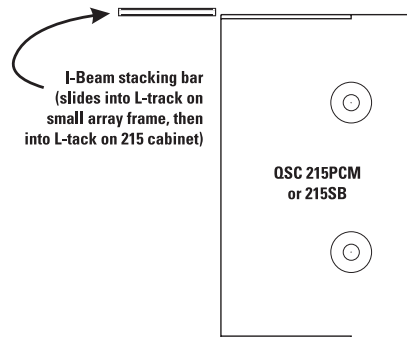
El bastidor pequeño aceptará fácilmente cuatro cajas y servirá de interfaz con el subwoofer 215PCM o 215SB de QSC, tanto en una configuración apilada como suspendida. Es posible que sea necesario mover los amortiguadores de apilado en el bastidor al lado opuesto del miembro del bastidor para usarlos. El bastidor pequeño está construido usando un carril en "L" estándar para la suspensión.



Apilado del bastidor para formaciones pequeñas

El bastidor para formaciones pequeñas incluye dos barras en I de aluminio utilizadas para alinear y fijar el bastidor al subwoofer "215" de QSC.

Para utilizar las barras en I, simplemente deslice cada una de ellas en el carril en L del bastidor pequeño y asegúrelas con un perno accesorio. Seguidamente, voltee el bastidor (las barras en I en la cara inferior) y deslice las barras en I expuestas en el carril en L del subwoofer. Asegure la barra en I con un perno accesorio. Observe que no se requiere que los pernos accesorios utilizados estén clasificados para carga ya que sólo impiden que las barras en I se muevan lateralmente.



Al apilar un bastidor para formaciones pequeñas sobre el armario 215SB o PCM de QSC, utilice los insertos de viga en I (1 en cada carril en L) para asegurar una alineación correcta y para fijar firmemente el bastidor al armario 215. Asegure usando pernos accesorios.

No apile más de cuatro (4) cajas en un bastidor para formaciones pequeñas.

ES

Cuidado

Los tornillos de sombrerete de cabeza hueca utilizados en los productos WideLine son de acero de alta resistencia clasificados para carga, y no de acero inoxidable. Los tornillos de acero inoxidable no están clasificados como para soportar la carga necesaria. En caso de que cualquier herraje requiriese reemplazo, póngase en contacto con los Servicios Técnicos de QSC para obtener repuestos.

El herraje de suspensión es de acero inoxidable que ha sido recubierto con óxido negro. El recubrimiento de óxido no está libre de corrosión.

Sugerimos limpiar todos los tornillos, pasadores, herrajes y bastidores con lubricante de película seca LPS® o con lubricante multipropósito Starrett M1® antes y después de las presentaciones al aire libre para ayudar a evitar la oxidación. Esto no sólo impedirá la formación de herrumbre y de otros óxidos, sino que también proporciona lubricación, aumnetado la vida útil y facilidad de uso del producto WideLine.

Especificaciones preliminares del sistema (sujetas a cambios sin previo aviso)

Configuración:	Tres direcciones, biamplificación (activo en dos direcciones) o triamplificación (totalmente activo en tres direcciones)
Respuesta de frecuencia:	52Hz - 18KHz (+/- 3dB)
Sensibilidad:	biamplificación: 97dB (2.83v a 1m) triamplificación: 99dB (2.83v a 1m)
Cobertura nominal:	Horizontal: 140 grados Vertical: Depende del número de elementos utilizados
Impedancia nominal:	8 ohmios, baja frecuencia en el modo de biamplificación; 16 ohmios, de baja frecuencia en el modo de triamplificación; 16 ohmios, alta frecuencia
Transductores:	
Baja frecuencia:	dos de 10" (254mm) de largo para excursión, alta potencia, bobina de voz de 3" (76mm), 16 ohmios, 380 vatios rms cada
Alta frecuencia:	diafragma de 3.0" (76mm), 1.4" (36mm) de salida, excitador de compresión de neodimio de 16 ohmios en guíaonda propietaria con patente en tramitación, 80 vatios rms
Potencia recomendada del amplificador:	300 vatios de alta frecuencia 700 vatios de frecuencia media en el modo de triamplificación 700 vatios de frecuencia baja en el modo de triamplificación 1400 vatios de frecuencia baja/media en el modo de biamplificación

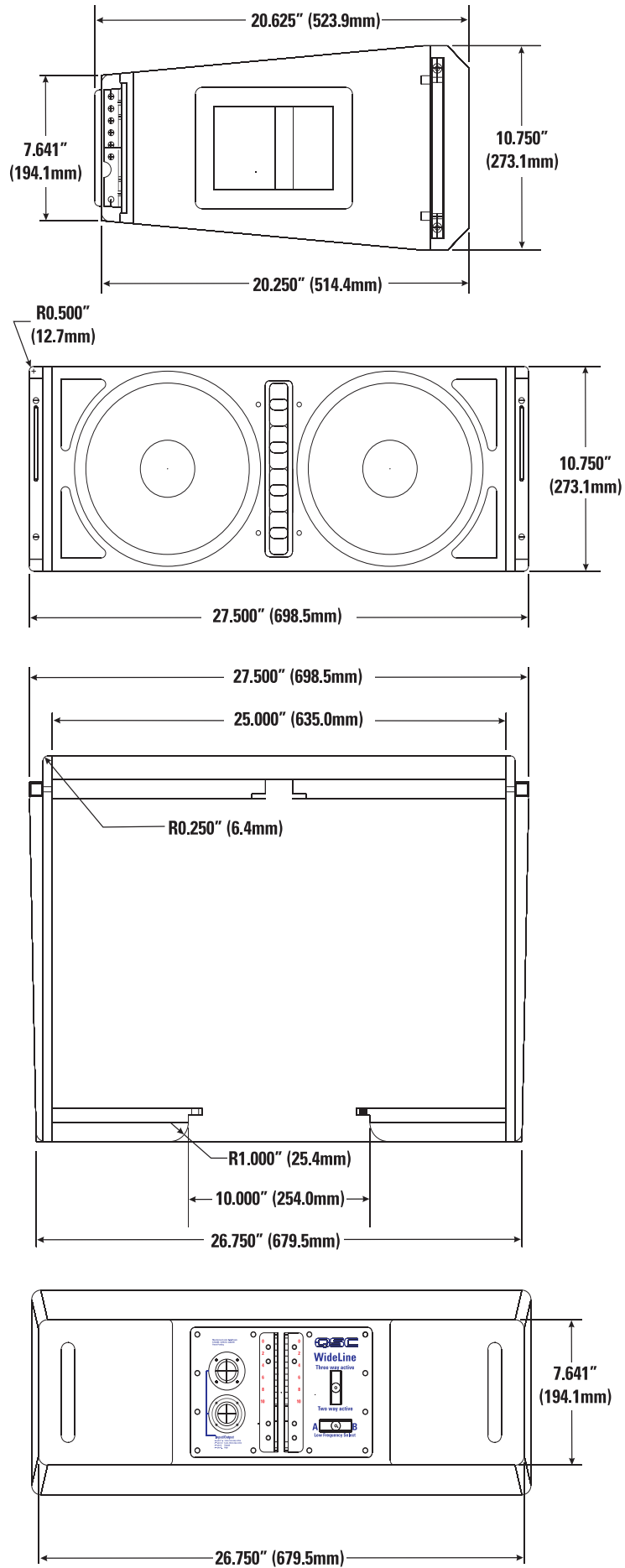
Caja:

Tipo:	Reflejo de bajos (con puerto), trapezoidal
Material:	Laminado compuesto hueco
Acabado:	Mano de textura negra o blanca
Rejilla:	Acero recubierto con polvo
Conectores:	dos Neutrik NL8
Puntos de conexión:	Configuración autónoma de suspensión. Cada uno de los tubos receptores frontales contiene una junta articulada cautiva (nudillo) y dos pasadores de cierre esférico en acolladores. El bloque de montaje posterior tiene una articulación integral de montaje y un pasador de cierre esférico en acollador.
Peso:	70lbs, 31.8kg
Dimensiones:	10.75" alt. x 27.5" anch. x 20.25" prof. 27.3cm alt. x 69.85cm anch. x 51.43cm prof.

Accesorios

Bastidores para formaciones:	Bastidor para formaciones pequeñas- 8 cajas como máximo para aplicaciones suspendidas, 4 cajas como máximo para apilar en un subarmario I-215 (aplicaciones en plataforma). Peso del bastidor: 33lbs. / 15.0kg Bastidor para formaciones grandes- 24 cajas como máximo para aplicaciones suspendidas, 12 cajas como máximo para apilar en plataformas. Peso del bastidor: 84lbs. / 38.1kg
Software	Se dispone de la herramienta de software para modelación de formación de la línea EASE Focus; visite www.qscaudio.com o póngase en contacto con los Servicios Técnicos de QSC para obtener archivos DSP tanto para QSCControl.net como para Signal Manager
Pasadores de cierre esférico	5/16" diám. x 0.75" de largo, mango en t: N° pieza SR000052-00 5/16" diám. x 1.25" de largo, mango con botón: N° pieza SR000081-00

Dimensiones



ES

Cómo ponerse en contacto con QSC Audio Products

Dirección postal:

QSC Audio Products, Inc.
1675 MacArthur Boulevard
Costa Mesa, CA 92626-1468 EE.UU.

Números de teléfono:

Número principal	(714) 754-6175
Ventas y Comercialización	(714) 957-7100 o línea sin costo (sólo EE.UU.) (800) 854-4079
Servicio al cliente	(714) 957-7150 o línea sin costo (sólo en EE.UU.) (800) 772-2834

Números de fax:

Ventas y Comercialización FAX	(714) 754-6174
Servicio al Cliente FAX	(714) 754-6173

World Wide Web:

www.qscaudio.com

Dirección electrónica:

info@qscaudio.com
service@qscaudio.com

Renuncia de garantía (sólo para EE.UU.; para otros países, consulte con su vendedor o distribuidor)

QSC Audio Products, Inc. no es responsable por ningún daño a los amplificadores, altavoces ni a ningún otro equipo que sea causado por negligencia o instalación y/o uso inadecuado de este altavoz. Si bien QSC ha hecho todo lo posible por desarrollar y producir el producto de audio de 'red' más confiable y robusto para su uso, debido a la innumerable cantidad de situaciones de red y equipos que pueden encontrarse en su implementación, QSC no puede hacerse responsable de los conflictos de red ni de las consecuencias asociadas que pueden resultar de ellos. Por esta razón, QSC recomienda enfáticamente que la red utilizada para la implementación de los productos QSCControl sea completamente separada de todas las demás redes, datos, etc. Para ello, en caso de que usted opte por integrar productos QSCControl con su sistema de red existente, todos los riesgos que surjan de una integración tal de productos QSCControl con su red o sistemas de red existentes serán asumidos por usted. Si bien QSC hace todo lo posible por proporcionar las soluciones técnicas de la más alta calidad para los productos de audio conectados en red, en ningún caso será QSC ni sus proveedores responsables por ningún daño, emergente, incidental o de otro tipo, incluido cualquier reclamo por lucro cesante y/o ahorros que surjan de cualquier integración intentada de los productos QSCControl con sus sistemas de conexión en red. Ningún agente, empleado ni representante de QSC tiene la autoridad de alterar o modificar de modo alguno las divulgaciones y recomendaciones establecidas aquí.

Garantía limitada de 3 años de QSC Audio Products

QSC Audio Products, Inc. ("QSC") garantiza que sus productos estarán libres de materiales y/o mano de obra defectuosos por un periodo de tres (3) años a partir de la fecha de la venta, y reemplazará las piezas defectuosas y reparará los productos que funcionen mal bajo esta garantía cuando el defecto ocurra bajo condiciones normales de instalación y uso, siempre y cuando la unidad se devuelva a nuestra fábrica o a una de nuestras estaciones autorizadas de servicio mediante transportación prepagada con una copia del comprobante de compra (por ejemplo, el recibo de la compra). Esta garantía requiere que el examen del producto devuelto indique, en nuestra opinión, un defecto de fabricación. Esta garantía no se extiende a ningún producto que hubiera estado sometido a uso indebido, negligencia, accidente, instalación incorrecta, o en el que se hubiera quitado o modificado el código de la fecha. QSC tampoco será responsable por daños incidentales y/o emergentes. Esta garantía le otorga derechos legales específicos. Esta garantía limitada es libremente transferible durante el período de la misma.

El cliente podría gozar de derechos adicionales, que podrían variar de un estado a otro.

En caso de que este producto fuera fabricado para exportación y venta fuera de los Estados Unidos o sus territorios, entonces no será aplicable esta garantía limitada. La eliminación del número de serie en este producto, o la compra de este producto de un distribuidor no autorizado, anulará esta garantía limitada.

Esta garantía se actualiza periódicamente. Para obtener la versión más reciente de la declaración de garantía de QSC, visite www.qscaudio.com.

Comuníquese con nosotros en 800-854-4079 o visite nuestro sitio en Internet en www.qscaudio.com.



QSC Audio Products, Inc. 1675 MacArthur Boulevard Costa Mesa, California 92626 EE.UU.
©2005 "QSC" y el logo QSC están registrados con la Oficina de Patentes y Marcas Comerciales de EE.UU.

CONSIGNES IMPORTANTES DE SÉCURITÉ

Installer conformément aux instructions de QSC Audio Products et d'un technicien professionnel diplômé.

AVERTISSEMENT !

Avant de placer, installer, monter ou suspendre un haut-parleur, inspecter l'état de toute la visserie, du matériel de suspension, des armoires, des transducteurs, des supports et du matériel associé. Tout composant manquant, corrodé, déformé ou non adapté à la charge risque de réduire sensiblement la solidité de l'installation, sa mise en place ou sa portée. Une telle condition réduit sensiblement la sécurité de l'installation et doit être immédiatement corrigée. Utiliser uniquement du matériel de montage prévu pour les conditions de charge de l'installation et toute surcharge éventuelle à court terme imprévue. Ne jamais dépasser les spécifications nominales du matériel de montage ou de l'équipement.

Consulter un technicien professionnel diplômé en cas de doute ou de question concernant l'installation physique de l'équipement. S'assurer que toutes les réglementations locales, provinciales et nationales concernant la sécurité et le fonctionnement d'équipements de vol sont comprises et respectées.

Garantie (États-Unis seulement : dans les autres pays, consulter le revendeur ou le distributeur)

Avis de non-responsabilité

QSC Audio Products, Inc. n'est pas responsable des dommages subis par les amplificateurs ou tout autre équipement causé par un acte de négligence ou une installation impropre et/ou l'utilisation de ce haut-parleur.

QSC Audio Products - Garantie limitée de 3 ans

QSC Audio Products, Inc. (« QSC ») garantit que ses produits sont dépourvus de tout vice de fabrication et/ou de matériel pendant une période de trois (3) ans à partir de la date de vente et remplacera les pièces défectueuses et réparera les produits qui fonctionnent mal dans le cadre de cette garantie si le défaut survient dans des conditions normales d'installation et d'utilisation - à condition que l'appareil soit retourné à l'usine ou à l'un de nos centres de réparation agréés en port prépayé, accompagné d'un justificatif d'achat (facture, par ex.). Cette garantie prévoit que l'examen du produit retourné doit indiquer, selon notre jugement, un défaut de fabrication. Cette garantie ne s'étend à aucun produit qui a été soumis à une utilisation abusive, un acte de négligence, un accident, une installation incorrecte ou un produit dont le code-date a été retiré ou effacé. QSC ne pourra être tenue pour responsable de dommages accessoires et/ou indirects. Cette garantie vous accorde des droits spécifiques. Cette garantie limitée est librement cessible durant sa période de validité.

Le client pourra bénéficier d'autres droits, variables d'une juridiction à l'autre.

Si ce produit a été fabriqué pour une exportation et une vente en dehors des États-Unis ou de ses territoires, cette garantie limitée ne s'appliquera pas. Le retrait du numéro de série sur ce produit ou l'achat de ce produit auprès d'un revendeur non agréé annulera cette garantie limitée.

Cette garantie est régulièrement mise à jour. Pour obtenir la toute dernière version de la garantie de QSC, rendez-vous sur le site www.qscaudio.com.

Contactez-nous au 800-854-4079 ou visitez notre site Web www.qscaudio.com.

© Copyright 2005, QSC Audio Products, Inc.

QSC[®] est une marque déposée de QSC Audio Products, Inc.

Speakon[®] est une marque déposée de Neutrik[®] et les noms de produit Neutrik[®] désignés dans ce document sont des marques déposées et/ou des marques de service de Neutrik[®].

M1[®] est une marque déposée de Starrett[®] (The L.S. Starrett Company)

LPS[®] est une marque déposée de LPS Audio Laboratories.

Toutes les marques de commerce appartiennent à leur propriétaire respectif.

QSC et le logo QSC sont des marques déposées auprès de l'U.S. Patent and Trademark Office.

Introduction

Le système de haut-parleurs WideLine a été conçu pour fournir un système compact d'une puissance, réponse en fréquence et couverture similaires à celles de systèmes d'une taille supérieure. Il est principalement utilisé dans les salles de bal, les salles de cinéma, les night clubs, les églises et pour les manifestations de petite à moyenne taille organisées par les entreprises/le secteur industriel.

Le système WideLine est adapté aux applications autonomes comme produit d'amplification du son haute fidélité pleine gamme transparent, capable de reproduire quasiment tout programme musical sans caissons d'extrêmes graves ou modules de graves. Sa réponse aux graves est de 52 Hertz (-3 dB) dans un ensemble de petit format. Sa conception tridirectionnelle à 2 ou 3 amplificateurs maintient l'amplification requise au minimum.

La dispersion acoustique exceptionnellement vaste du WideLine élimine pratiquement la nécessité d'enceintes suspendues de compensation ou supplémentaires lorsqu'il est utilisé comme système principal. Sa large dispersion acoustique procure également une meilleure couverture lorsqu'il est utilisé comme ensemble central ou enceinte en retrait ou à propagation vers le bas avec des systèmes en ligne de plus grand format.

La large dispersion s'accomplit avec une membrane de 76 mm, un étage d'attaque haute fréquence en néodyme de sortie de 36 mm monté sur un guide d'ondes à fente de diffraction et ouvertures multiples exclusif, faisant l'objet d'un brevet en instance. Ce dispositif est la source linéaire idéale nécessaire pour la performance en ligne.

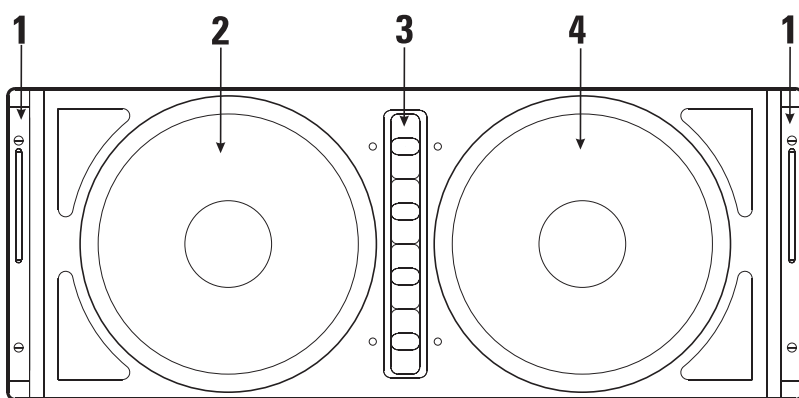
La pondération de moyenne fréquence interne peut être commutée vers l'un ou l'autre des transducteurs de 254 mm. Les deux transducteurs traitent les basses fréquences, mais seul le transducteur non ombré traite les moyennes fréquences. Ce système produit un contrôle de forme plus lisse au filtre passif des moyennes-hautes fréquences. Avec un ombrage sélectionnable, les enceintes

peuvent être utilisées comme enceinte gauche ou droite d'un simple basculement d'interrupteur, sans déplacer l'enceinte.

L'enceinte est faite d'un composite creux léger et ne pèse que 31,8 kg environ, visserie et matériel de fixation inclus. La visserie permet le réglage de l'angle d'ébrasement vertical simple de 0, 2, 3, 4, 5, 6, 7, 8, 9 et 10° entre les enceintes. Deux grilles série sont disponibles. Le châssis de petite série accepte 8 enceintes suspendues ou 4 enceintes empilées. Le châssis de grande série accepte 24 enceintes suspendues ou 12 enceintes empilées.

Les utilisateurs du WideLine peuvent également utiliser un logiciel appelé EASE Focus pour faciliter le design et la mise en œuvre d'une série WideLine. EASE Focus peut calculer le nombre d'enceintes nécessaire pour un espace donné, déterminer l'angle d'ébrasement optimum entre ces enceintes, calculer à quel angle régler la grille de ligne dans une application à point de suspension fixe et prédire les niveaux de réponse acoustique et de pression sonore à travers l'espace selon un schéma bidimensionnel. Ce logiciel, vendu séparément, se télécharge sur le site Web de QSC ; contacter QSC pour plus d'informations.

Comme tous les produits ISIS, le design WideLine met l'accent sur une performance audio précise, une installation rapide et une diminution des exigences de main-d'œuvre. Sa facilité de transport, d'assemblage, d'utilisation et la visserie et le matériel de fixation fournis font de WideLine le choix logique. Combiné avec les ISIS 82H, 102M, 102W, 122M, 152M, 215PCM et 215SB, le système de ligne WideLine procure est la « boîte à outils » la plus complète pour tout professionnel d'amplification du son.



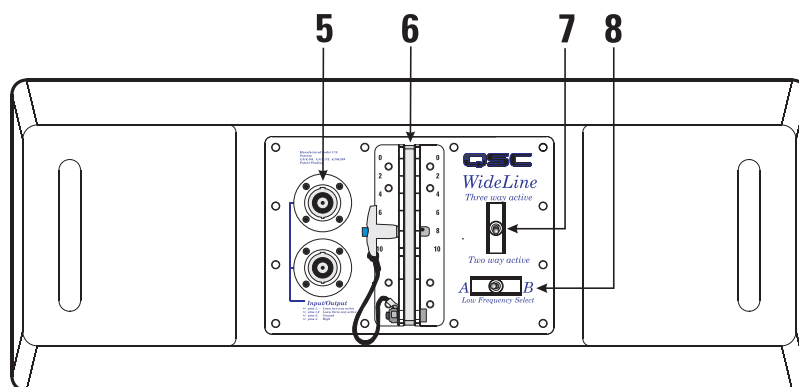
AVANT (grille retirée)

1- Tube de réception (avant gauche et droite) avec joint articulé captif (tube de réception interne) et goupilles verrouillées par bille

2- Transducteur basses fréquences B

3- Ouverture de transducteur hautes fréquences

4- Transducteur basses fréquences A



ARRIÈRE

5- Connecteurs d'entrée/sortie (NL8)

6- Tringlerie arrière, bloc de fixation et goupille verrouillée par bille

7- Sélecteur tri-/bidirectionnel

8- Sélecteur de basses fréquences (pondération)

Sélecteur tridirectionnel actif/bidirectionnel actif

Bidirectionnel actif : L'entrée LF « pleine gamme » est appliquée aux broches 1+ et 1- et le réseau de pondération de -6dB par octave est appliqué à l'un des transducteurs LF à l'aide du sélecteur de basses fréquences (ci-dessus).

Tridirectionnel actif : Le réseau de pondération n'est PAS appliqué (la pondération doit être fournie par le traitement du signal en amont). Brancher le signal d'entrée pleine gamme sur les broches 1+ et 1-, brancher le signal ombré (traité) sur les broches 2+ et 2-. Pour intervertir les positions de transducteurs pondérés, utiliser le sélecteur de basses fréquences ou modifier le traitement du signal. La position par défaut du sélecteur de basses fréquences pour le mode tridirectionnel est la position A ; sur position B, les branchements (tableau 1) sur les transducteurs LF A et B sont intervertis.

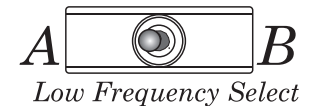
Three way active



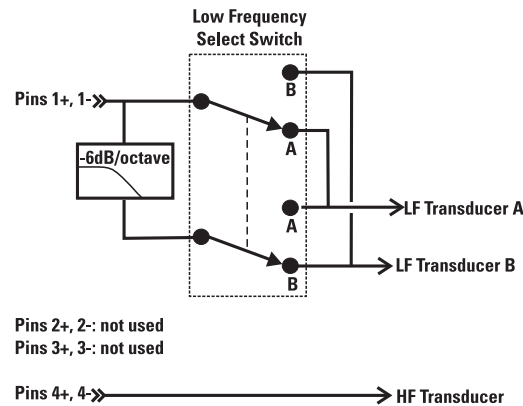
Two way active

Sélecteur de basses fréquences

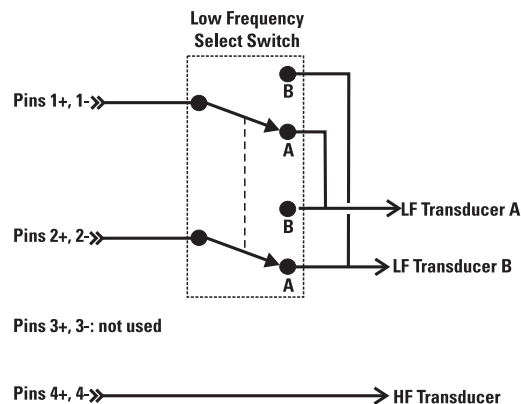
Le WideLine est un design tridirectionnel (pondérés, non pondérés et haute fréquence) avec pondération fourni par un réseau passif en mode bidirectionnel ou un traitement du signal en amont (DSP) en mode tridirectionnel. Le sélecteur peut être ainsi positionné comme « gauche de l'espace » ou « droite de l'espace », sans avoir besoin d'intervertir les enceintes.



Mode bidirectionnel : L'interrupteur de pondération permet la sélection d'un transducteur de basses fréquences comme ensemble pondérés (graves uniquement) en insérant un réseau de -6 dB par octave. L'interrupteur à cadran indique le côté non pondérés (pleine gamme) du transducteur de basses fréquences.



Mode tridirectionnel : Le réseau interne de -6 dB par octave n'est appliqué à **AUCUN** transducteur LF. La pondération est accomplie par traitement du signal. L'interrupteur à cadran indique le côté non pondéré (pleine gamme) du transducteur de basses fréquences **UNIQUEMENT** SI le signal de pleine gamme est appliqué aux broches 1+ et 1- et le signal pondéré aux broches 2+ et 2-. La position par défaut pour le mode tridirectionnel est la position A ; sur position B, les branchements sur les transducteurs LF A et B sont intervertis.



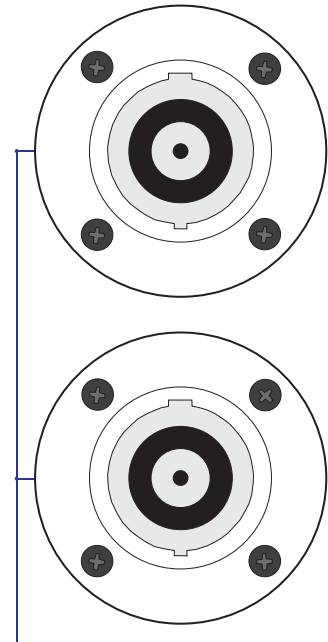
Branchements d'entrée

Les connecteurs d'entrée sont une paire de NL8 Neutrik branchés en parallèle. Les branchements avec 2 ou 3 amplificateurs varient ; voir le tableau 1. Les désignations de broches pour le connecteur du câble NL8FC sont fournies pour référence, en bas à droite.



Remarque ! En mode tridirectionnel, la position du sélecteur de basses fréquences détermine le câblage du connecteur d'entrée ! Des résultats inattendus peuvent se produire si la position et le câblage du sélecteur ne sont pas étroitement surveillés.

Le haut-parleur WideLine n'est pas équipé d'un réseau de filtre passif. L'ensemble du traitement du signal doit être effectué avant le branchement de l'alimentation audio sur le haut-parleur. Ne pas connecter l'audio pleine gamme au transducteur de hautes fréquences sous peine de dommages !



Input/Output

- +/- pins 1, - *Lows, two way active*
- +/- pins 1,2 *Lows, three way active*
- +/- pins 3, *Unused*
- +/- pins 4, *High*

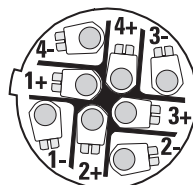
Tableau 1 : Câblage du connecteur d'entrée, modes bidirectionnel et tridirectionnel

Broche	Réseau de pondération interne bidirectionnel inséré sur la trajectoire du signal	Traitement externe tridirectionnel pour pondération, sélecteur LF sur position A	Traitement externe tridirectionnel pour pondération, sélecteur LF sur position B
1+	LF +	LF A +	LF B +
1-	LF -	LF A -	LF B -
2+	Inutilisé	LF B +	LF A +
2-	Inutilisé	LF B -	LF A -
3+	Inutilisé	Inutilisé	Inutilisé
3-	Inutilisé	Inutilisé	Inutilisé
4+	HF +	HF +	HF +
4-	HF-	HF-	HF-

Désignation des broches du connecteur du câble NL8FC Neutrik

Le diagramme ci-dessous indique la désignation des broches à l'intérieur du connecteur NL8FC Neutrik. Ces informations sont uniquement fournies à titre de référence. Le diagramme représente le connecteur vu depuis son extrémité d'insertion des fils.

Désignations de broches NL8FC -
Fiche vue du côté des fils.



Fixation



ATTENTION : LA SUSPENSION DES HAUT-PARLEURS PRÉSENTE UN RISQUE DE BLESSURES GRAVES, VOIRE MORTELLES. USER DE PRUDENCE POUR S'ASSURER QUE LES SURFACES DE FIXATION SONT CAPABLES DE SOUTENIR AU MOINS 5 FOIS LE POIDS DU HAUT-PARLEUR ET DU MATÉRIEL DE FIXATION. UTILISER UNIQUEMENT LA VISSERIE PRÉVUE POUR LA CHARGE. TOUJOURS CONSULTER UN PROFESSIONNEL CERTIFIÉ EN CAS D'INSTALLATION EN SUSPENSION.

Le châssis de grande série contient 24 enceintes maximum. Le poids d'un système de 24 enceintes est de 762 kg seulement et le châssis lui-même pèse 37,6 kg. Le châssis de petite série contient 8 enceintes maximum, soit un système de 190 kg et un châssis de 15 kg. La visserie de fixation ne permet pas l'installation d'une enceinte à l'envers.

Le système de fixation du WideLine a été conçu pour procurer au minimum le coefficient de résistance standard dans l'industrie de 5:1 avec 24 enceintes sur le châssis de grande série ou 8 enceintes châssis de petite série. Palos Verdes Engineering a certifié les calculs mécaniques et des tests destructifs ont été effectués par ATM Flyware.

Les enceintes WideLine utilisent un système de suspension à trois points. Ce système comprend des joints articulés captifs gauche/droit et avant et une tringlerie arrière. L'articulation s'effectue par incréments de 2° en utilisant la première position de la tringlerie. En utilisant la seconde position, des incréments de 1° degré sont possibles en démarrant à 3°. Les incréments angulaires totaux disponibles sont les suivants : 0, 2, 3, 4, 5, 6, 7, 8, 9 et 10°. Toutes les pièces et goupilles de blocage restent dans les enceintes. Aucun accessoire n'est nécessaire pour suspendre les enceintes à partir du réseau WideLine. Toutes les goupilles verrouillées par bille sont équipées d'un cordon pour empêcher leur perte.

Visserie du joint articulé avant

Exposer l'extrémité du joint articulé en glissant vers le haut sa vis de retenue qui dépasse sur l'avant du tube de réception. Le joint captif avant glisse vers le haut à partir du tube de réception de l'enceinte.

L'extrémité exposée du joint articulé peut désormais être insérée dans le tube de réception de l'enceinte adjacente et bloqué en position par une goupille. Répéter cette opération de chaque côté de l'enceinte. Ensuite, la tringlerie arrière peut être tournée en position et fixé à l'incrément d'inclinaison souhaité.

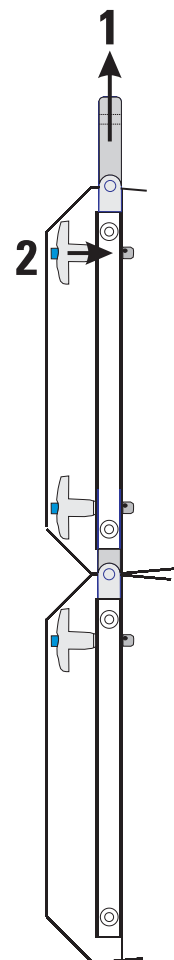
Visserie de tringlerie arrière (ajustement d'angle)

La tringlerie arrière est stockée pliée entre les côtés du bloc. Pour exposer la tringlerie, retirer la goupille verrouillée par bille et tourner la tringlerie dans la position souhaitée. Une fois positionnée, la tringlerie est fixée au moyen de la goupille verrouillée par bille de l'enceinte adjacente.

La tringlerie arrière est marquée d'un trait blanc fin à la position « normal » (0°) et « +3 » à la position +3°.

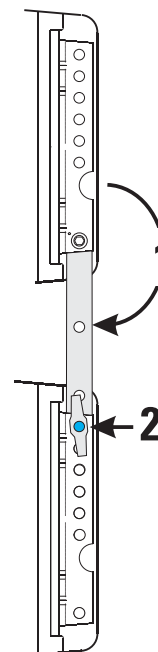
Le trou de goupille verrouillée par bille supplémentaire (situé à mi-distance environ sur la tringlerie) est utilisé pour la tringlerie pliée dans le bloc de l'enceinte pour stockage. La tringlerie peut être fixée en place à la position 0° ou 8° sur le bloc lorsqu'elle est tournée dans sa position de stockage.

Joint articulé avant - Sortir le joint du tube de réception en glissant la vis de retenue vers le haut, puis bloquer en position à l'aide de la goupille verrouillée par bille.



FR

Tringlerie arrière - Retirer la goupille verrouillée par bille de la position de stockage, puis tourner la tringlerie vers l'enceinte adjacente. Bloquer en position avec la goupille verrouillée par bille.



Ajustement de l'angle entre les enceintes (ébrasement)

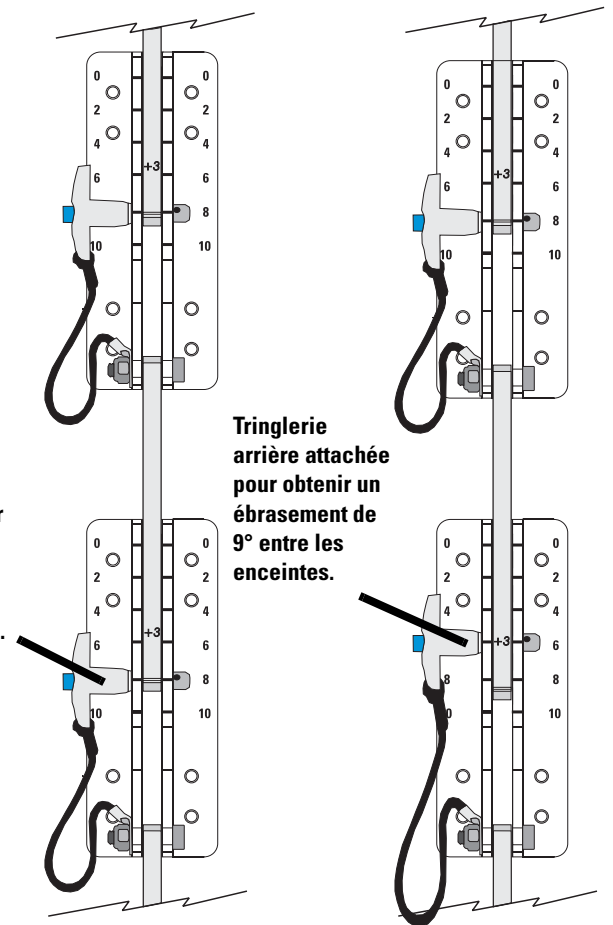
L'illustration montre le bloc de goupilles arrière de deux enceintes rejointes par la tringlerie arrière de l'enceinte supérieure.

Utiliser la première position de goupille (la plus proche de l'extrémité) de la tringlerie pour une fixation par incréments de 2° normalisés. L'exemple de gauche montre deux enceintes reliées pour un ébrasement de 8°. La goupille verrouillée par bille est insérée dans la position 8° dans le bloc arrière en passant à travers le trou de goupille « normal » de la tringlerie.

Lorsque la position « +3 » est utilisée, 3° supplémentaires sont ajoutés à l'action « normalisée ». L'exemple de droite montre deux enceintes reliées pour un ébrasement de 9°. La goupille verrouillée par bille est insérée dans la position 6° dans le bloc arrière en passant à travers le trou de goupille « +3 » de la tringlerie. L'ébrasement total correspond aux 6° indiqués sur le bloc, plus les 3° supplémentaires de la position de tringlerie, pour un total de 9°. De cette manière, des incréments de 1° sont possibles en démarrant à 3° (position de bloc 0° et position de tringlerie +3°).

Tringlerie arrière attachée pour obtenir un ébrasement de 8° entre les enceintes.

Tringlerie arrière attachée pour obtenir un ébrasement de 9° entre les enceintes.



FR

Châssis de série

Deux châssis de série sont proposés pour le système WideLine.

Le grand châssis est utilisé pour la suspension d'une série typique de 4 à 24 enceintes. Le grand réseau peut être retourné et utilisé pour empiler 12 enceintes ou plus.

Un châssis compact et plus facile à manipuler s'utilise pour une petite série de 4 enceintes maximum, pour empilage ou suspension. Ce châssis se pose facilement sur des enceintes de basses empilées sur scène ou il peut être utilisé lors de plus petites manifestations pour suspendre des groupes d'enceintes aux poutres au-dessus de la scène.

Châssis de grande série (suspension)

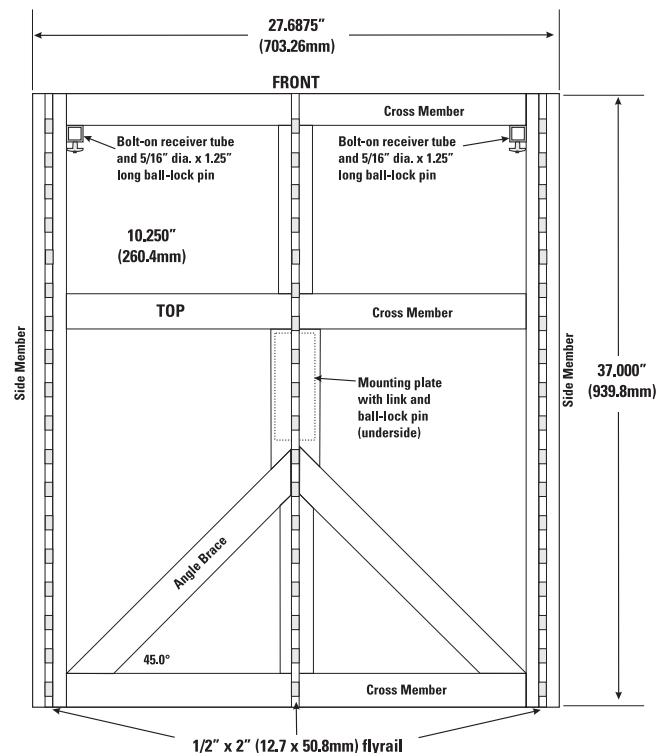
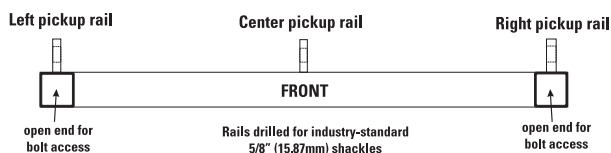


Ne pas suspendre plus de 24 enceintes au châssis de grande série.

Ne pas empiler plus de 12 enceintes sur un châssis de grande série.

Utiliser uniquement des goupilles verrouillées par bille de 8 mm de diamètre x 3 cm sur les tubes de réception avant.

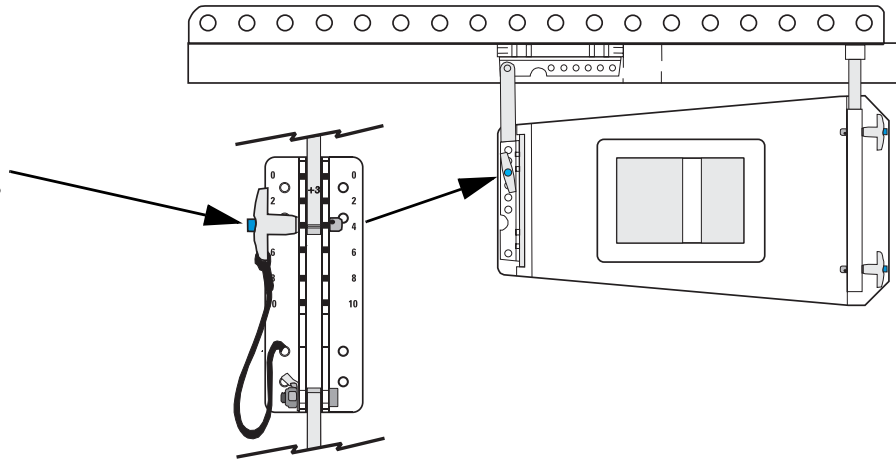
Les trois rails de fixation permettent un nombre quelconque de solutions de fixation pour les salles de spectacles les plus variées. Les rails sont préperforés pour des chaînes standard de 15,8 mm.



Châssis de grande série (suite)

La plaque de fixation et la tringlerie se situent à la base du châssis. Utiliser cette tringlerie pour attacher l'arrière de la première enceinte. Le châssis permet des options d'inclinaison vers le haut ou vers le bas par empilage ou suspension. Les positions « normales » 4° sur le système de tringlerie produira une inclinaison verticale nette de 0°.

Utiliser la position de tringlerie 4° pour une inclinaison verticale de 0°



FR

Châssis de petite série (empilage)

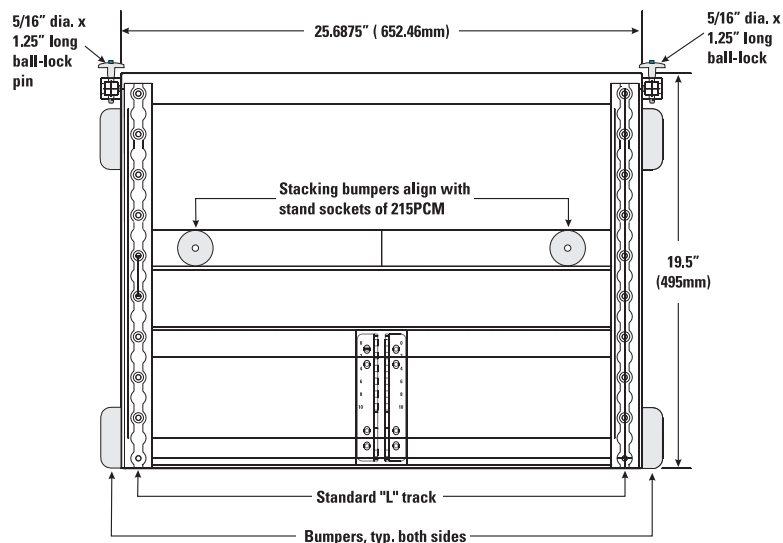


Ne pas suspendre plus de 8 enceintes au châssis de petite série.

Ne pas empiler plus de 4 enceintes sur un châssis de petite série.

Utiliser uniquement des goupilles verrouillées par bille de 8 mm de diamètre x 3 cm sur les tubes de réception avant.

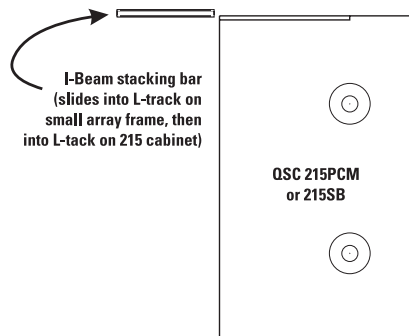
Le petit châssis gère facilement 4 enceintes et se branche en interface avec le caisson d'extrêmes graves QSC 215PCM ou 215SB dans une configuration empilée ou suspendue. Les caoutchoucs d'empilage du châssis doivent être déplacés à l'opposé du membre du châssis à utiliser. Le petit châssis comporte un rail en L standard de fixation.



Empilage du châssis de petite série

Le châssis de petite série est fourni avec deux barres en L en aluminium pour aligner et fixer le châssis sur le caisson d'extrêmes graves de QSC.

Pour utiliser les barres en L, glisser simplement chacune dans le rail en L du petit châssis et fixer au moyen d'un goujon. Ensuite, retourner le châssis (barres en L en bas) et glisser les barres en L exposées dans le rail en L du caisson d'extrêmes graves. Fixer la barre en L par un goujon. Noter que les goujons ne doivent pas nécessairement satisfaire la charge nominale dans la mesure où ils servent seulement à empêcher les barres en L de se déplacer latéralement.



Lors de l'empilage d'un châssis de petite série sur le dessus d'une armoire 215SB ou PCM QSC, utiliser les barres en L (1 dans chaque rail en L) pour garantir un alignement correct et fixer fermement le châssis sur l'armoire 215. Fixer à l'aide des goujons.

Ne pas empiler plus de 4 enceintes sur un châssis de petite série.

Entretien

Les vis à chapeau à tête creuse utilisées sur les produits WideLine sont en acier haute résistance satisfaisant la charge nominale, pas en acier inoxydable. Les vis en acier inoxydable ne satisfont pas les exigences de charge nominale nécessaires. Si un remplacement de la visserie s'avère nécessaire, contacter les services techniques de QSC pour obtenir des pièces de rechange.

La visserie de fixation est en acier inoxydable revêtu d'oxyde noir. Le revêtement d'oxyde ne craint pas la corrosion.

Il est conseillé de passer au chiffon sur toutes les vis, goupilles, visserie et tous les châssis du lubrifiant film sec LPS[®] ou tous usages Starrett M1[®] avant et après des installations en extérieur pour éviter l'oxydation. Cette précaution empêchera non seulement la formation de rouille et d'autres oxydes, mais assurera également la lubrification, prolongeant la durée et la facilité d'utilisation du produit WideLine.

Caractéristiques techniques préliminaires du système (sujettes à modification sans préavis)

Configuration :	Tridirectionnelle, 2 amplificateurs (bidirectionnelle active) ou 3 amplificateurs (tridirectionnelle active complète)
Réponse en fréquence :	52 Hz à 18 KHz (+/- 3 dB)
Sensibilité :	2 amplificateurs : 97 dB (2,83 V à 1 m) 3 amplificateurs : 99 dB (2,83 V à 1 m)
Couverture nominale :	Horizontale : 140° Verticale : Dépend du nombre d'éléments utilisé
Impédance nominale :	8 ohms, basse fréquence en mode 2 amplificateurs, 16 ohms basse fréquence en mode 3 amplificateurs 16 ohms, haute fréquence
Transducteurs :	
Basse fréquence :	deux, longue excursion de 254 mm, puissance élevée, bobine mobile de 76 mm, 16 ohms, 380 watts (efficace) pour chacun
Haute fréquence :	membrane de 76 mm, sortie de 36 mm, étage d'attaque de compression en néodyme 16 ohms sur guide d'ondes exclusif faisant l'objet d'un brevet en instance, 80 watts (efficace)
Puissance d'amplificateur recommandée :	300 watts haute fréquence 700 watts moyenne fréquence, mode 3 amplificateurs 700 watts basse fréquence, mode 3 amplificateurs 1 400 watts basse/moyenne fréquence en mode 2 amplificateurs

FR

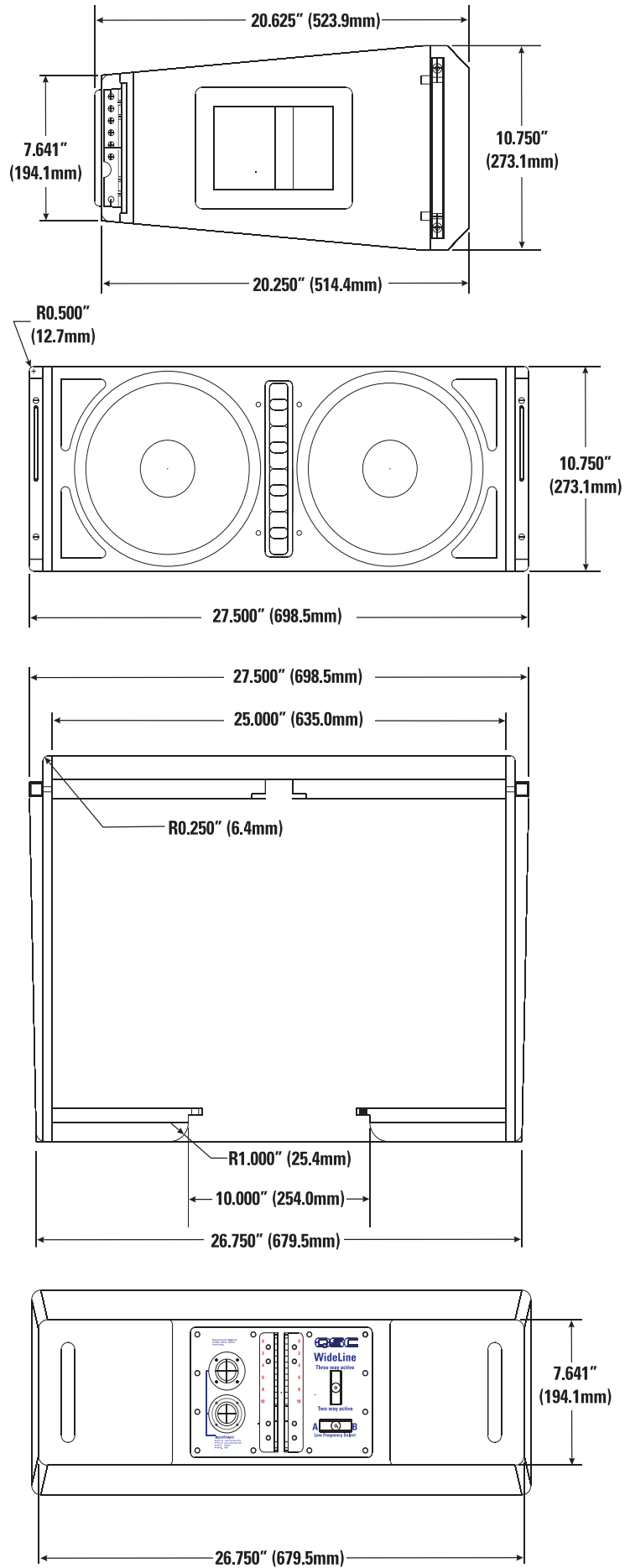
Enceinte :

Type :	Bass reflex, trapézoïdale
Matériau :	Laminé composite creux
Finition :	Revêtement texturé noir ou blanc
Grille :	Acier à revêtement en poudre
Connecteurs :	Deux NL8 Neutrik
Points d'attache :	Configuration de fixation autonome. Chaque tube de réception avant contient un joint articulé captif et deux goupilles verrouillée par bille sur cordon. Le bloc de fixation arrière a une tringlerie de fixation intégrée et une goupille verrouillée par bille sur cordon.
Poids :	31,8 kg
Dimensions:	27,3 cm (H) x 69,85 cm (l) x 51,43 cm (P)

Accessoires

Châssis de série :	Châssis de petite série - 8 enceintes maximum pour applications suspendues, 4 enceintes max. pour empilage sur caisson d'extrêmes graves I-215 (applications sur scène). Poids du châssis 15 kg Châssis de grande série - 24 enceintes maximum pour applications suspendues, 12 enceintes max. pour empilage sur scène. Poids du châssis 38,1 kg
Logiciel	Outil de modélisation de série EASE Focus disponible sur le site www.qscaudio.com ou appeler les services techniques QSC pour les fichiers de DSP QControl.net et Signal Manager
Goupilles verrouillées par bille	8 mm de dia x 2 cm de long, poignée en T : réf. SR000052-00 8 mm de dia x 3 cm de long, poignée bouton : réf. SR000081-00

Dimensions



FR

Comment prendre contact avec QSC Audio Products

Adresse :

QSC Audio Products, Inc.
1675 MacArthur Boulevard
Costa Mesa, CA 92626-1468, États-Unis

Téléphone :

Standard (714) 754-6175
Ventes & Marketing (714) 957-7100 ou numéro vert (États-Unis seulement) (800) 854-4079
Service clientèle (714) 957-7150 ou numéro vert (États-Unis seulement) (800) 772-2834

Télécopieur :

Ventes & Marketing (714) 754-6174
Service clientèle (714) 754-6173

Site Web :

www.qscaudio.com

E-mail :

info@qscaudio.com
service@qscaudio.com

Avis de non-responsabilité (États-Unis seulement ; dans les autres pays, consulter le revendeur ou le distributeur)

QSC Audio Products, Inc. n'est pas responsable des dommages subis par les amplificateurs, les haut-parleurs ou tout autre équipement causé par un acte de négligence ou une installation et/ou une utilisation impropre de ce produit de traitement du signal. Même si QSC a consenti tous les efforts pour développer et produire le produit audio « réseau » le plus fiable et robuste pour votre utilisation, étant donné la myriade de situations et d'équipements réseau possibles lors de son implémentation, QSC ne pourra être tenue pour responsable des conflits réseau et conséquences associées résultantes. C'est pourquoi QSC recommande vivement que l'utilisation du réseau pour l'implémentation de produits QSCControl soit complètement séparée de tous les autres réseaux, données ou autres. À ce titre, si l'utilisateur choisit d'intégrer des produits QSCControl à un réseau existant, il endossera tous les risques liés à cette intégration des produits QSCControl au réseau existant. Même si QSC s'efforce de fournir les solutions techniques de la plus haute qualité pour les produits audio en réseau, QSC et ses fournisseurs ne pourront en aucun cas être tenus pour responsables de dommages, indirects, accessoires ou autres, y compris toute réclamation pour perte de bénéfices et/ou d'économies résultant d'une tentative d'intégration des produits QSCControl aux systèmes de mise en réseau de l'utilisateur. Aucun agent, employé ou représentant de QSC n'a le droit de modifier d'une manière quelconque les informations et recommandations contenues en ceci.

QSC Audio Products - Garantie limitée de 3 ans

QSC Audio Products, Inc. (« QSC ») garantit que ses produits sont dépourvus de tout vice de fabrication et/ou de matériel pendant une période de trois (3) ans à partir de la date de vente et remplacera les pièces défectueuses et réparera les produits qui fonctionnent mal dans le cadre de cette garantie si le défaut survient dans des conditions normales d'installation et d'utilisation - à condition que l'appareil soit retourné à l'usine ou à l'un de nos centres de réparation agréés en port prépayé, accompagné d'un justificatif d'achat (facture, par ex.). Cette garantie prévoit que l'examen du produit retourné doit indiquer, selon notre jugement, un défaut de fabrication. Cette garantie ne s'étend à aucun produit qui a été soumis à une utilisation abusive, un acte de négligence, un accident, une installation incorrecte ou un produit dont le code-date a été retiré ou effacé. QSC ne pourra être tenue pour responsable de dommages accessoires et/ou indirects. Cette garantie vous accorde des droits spécifiques. Cette garantie limitée est librement cessible durant sa période de validité.

Le client pourra bénéficier d'autres droits, variables d'une juridiction à l'autre.

Si ce produit a été fabriqué pour une exportation et une vente en dehors des États-Unis ou de ses territoires, cette garantie limitée ne s'appliquera pas. Le retrait du numéro de série sur ce produit ou l'achat de ce produit auprès d'un revendeur non agréé annulera cette garantie limitée.

Cette garantie est régulièrement mise à jour. Pour obtenir la toute dernière version de la garantie de QSC, rendez-vous sur le site www.qscaudio.com.

Contactez-nous au 800-854-4079 ou visitez notre site Web www.qscaudio.com.



QSC Audio Products, Inc. 1675 MacArthur Boulevard Costa Mesa, California 92626 USA
© 2005 QSC et le logo QSC sont des marques déposées auprès de l'U.S. Patent and Trademark Office.

WICHTIGE SICHERHEITSVORKEHRUNGEN

Die Installation unter der Aufsicht eines lizenzierten Fachtechnikers gemäß der Anleitung von QSC Audio Products vornehmen lassen.

ACHTUNG!

Inspizieren Sie vor dem Aufstellen, Installieren, Rigging oder Aufhängen von Lautsprecherprodukten alle Befestigungsteile, Aufhängungen, Gehäuse, Wandler, Halterungen und damit in Verbindung stehende Vorrichtungen auf eventuelle Schäden. Fehlende, korrodierte, verformte oder nicht belastbare Komponenten können die Stabilität der Installation, der Aufstellung oder der Gerätekombination deutlich reduzieren. Jeder Zustand dieser Art bewirkt eine erhebliche Verringerung der Sicherheit der Installation und sollte umgehend behoben werden. Verwenden Sie ausschließlich Befestigungsteile, die für die Belastungsbedingungen der Installation zugelassen und für jede potenzielle, unerwartete oder kurzfristige Überlastung ausgelegt sind. Die Nennleistung der Befestigungsteile bzw. Ausrüstung darf keinesfalls überschritten werden.

Bei Fragen zur Installation eines Geräts sollten Sie einen qualifizierten Techniker hinzuziehen. Alle anwendbaren Vorschriften und Bestimmungen in Bezug auf die Sicherheit und Betrieb von Ausrüstung mit Flug-Armaturen müssen verstanden und eingehalten werden.

Garantie (nur für die USA; wenden Sie sich zwecks Garantieinformationen für andere Länder an Ihren Händler oder Distributor)

Haftungsausschluss

QSC Audio Products, Inc. ist nicht für Schäden an Verstärkern oder anderen Geräten haftbar, die durch Fahrlässigkeit oder eine unsachgemäße Installation und/oder Verwendung dieses Lautsprecherprodukts verursacht werden.

Beschränkte Dreijahresgarantie durch QSC Audio Products

QSC Audio Products, Inc. („QSC“) gewährleistet, dass seine Produkte für einen Zeitraum von drei (3) Jahren ab dem Kaufdatum keine Material- und/oder Ausführungsfehler aufweisen werden, und QSC verpflichtet sich zum Ersatz defekter Teile und zur Reparatur funktionsgestörter Produkte gemäß dieser Garantie, wenn dieser Fehler bei einer normalen Installation und unter normalen Gebrauchsbedingungen auftritt – vorausgesetzt, dass das Gerät unter Vorauszahlung der Transportkosten und zusammen mit einer Kopie des Kaufnachweises (z.B. der Kaufquittung) an unser Werk zurückgeschickt oder an eine unserer autorisierten Kundendienststellen eingeschickt wird. Diese Garantie setzt voraus, dass die Prüfung des zurückgeschickten Produkts in unserem Ermessen einen Herstellungsdefekt zu erkennen gibt. Diese Garantie erstreckt sich auf keine Produkte, die einer unsachgemäßen oder fahrlässigen Behandlung, Unfällen oder einer unvorschriftsmäßigen Installation unterlagen, oder deren Datumcode entfernt oder unkenntlich gemacht wurde. QSC ist für keine Neben- und/oder Folgeschäden haftbar. Diese Garantie gewährt Ihnen bestimmte Rechte. Diese beschränkte Garantie ist während der Garantiezeit frei übertragbar.

Manche Kunden können je nach Rechtsprechung zusätzliche und andere Rechte besitzen.

Falls dieses Produkt zum Export und Verkauf außerhalb der Vereinigten Staaten oder deren Hoheitsgebieten hergestellt wurde, besitzt diese eingeschränkte Garantie keine Gültigkeit. Die Entfernung der Seriennummer auf diesem Produkt oder der Kauf dieses Produkts von einem nicht autorisierten Händler macht diese beschränkte Garantie unwirksam.

Diese Garantie wird gelegentlich aktualisiert. Die jeweils aktuellste Version der Garantieerklärung von QSC finden Sie im Internet unter www.qscaudio.com.

Sie erreichen uns telefonisch unter +1 800-854-4079 (gebührenfrei in den USA und Kanada) oder im Internet unter www.qscaudio.com.

© Copyright 2005, QSC Audio Products, Inc.

QSC ist eine eingetragene Marke von QSC Audio Products, Inc.

Speakon[®] ist eine eingetragene Marke von Neutrik[®] und die in diesem Dokument genannten Namen von Neutrik[®] Produkten sind entweder Marken und/oder Dienstleistungsmarken von Neutrik[®].

M1[®] ist eine eingetragene Marke von Starrett[®] (The L.S. Starrett Company)

LPS[®] ist eine eingetragene Marke von LPS Laboratories

Alle Marken sind Eigentum ihrer jeweiligen Inhaber.

„QSC“ und das QSC-Logo sind beim US-Patent- und Markenamt angemeldet

Einführung

Das WideLine-Lautsprechersystem ist ein Kompaktsystem, dessen Belastbarkeit, Frequenzgang und Abstrahlung mit größeren Systemen vergleichbar sind. Es wird in erster Linie in Ballsälen, Theatern/Kinos, Nachtclubs, Kirchen und für kleine bis mittelgroße Veranstaltungen auf dem geschäftlichen/industriellen Markt eingesetzt.

Das WideLine-System, ein klangverstärkendes, gut artikulierte Hi-Fi-Vollbereichsprodukt, ist für unabhängige Anwendungen geeignet und in der Lage, nahezu jedes Musikprogramm ohne Subwoofer oder Bassmodule zu reproduzieren. Es bietet einen Bass-Frequenzgang von bis zu 52 Hertz (-3 dB) in einem kompakten Gehäuse. Durch sein 3-Weg-Design für Biamp- (2 Verstärker) oder Triamp- (3 Verstärker) Betrieb wird die erforderliche Verstärkung auf ein Mindestmaß reduziert.

Wenn WideLine als Haupt-Lautsprecher-Array verwendet wird, werden aufgrund der außerordentlich breiten Systemdispersion seitlich aufgehängte Zusatz- oder Füllgeräte praktisch unnötig. Bei Verwendung als Mittel-Cluster oder als Downfill- oder Unterhang-Lautsprechergehäuse in größerformatigen Reihen-Array-Systemen bietet die breite Dispersion eine verbesserte Abstrahlung.

Die breite Dispersion wird mit einem Neodym-Hochfrequenztreiber mit einer 76-mm- (3-Zoll-) Membran und einem 36-mm- (1,4-Zoll-) Ausgang erreicht, der auf einem firmenrechtlich geschützten, zum Patent angemeldeten Diffraktionsschlitz-Wellenleiter mit mehreren Öffnungen montiert ist. Diese Vorrichtung ist die ideale lineare Quelle, wie sie für hohe Reihen-Array-Leistungen benötigt wird.

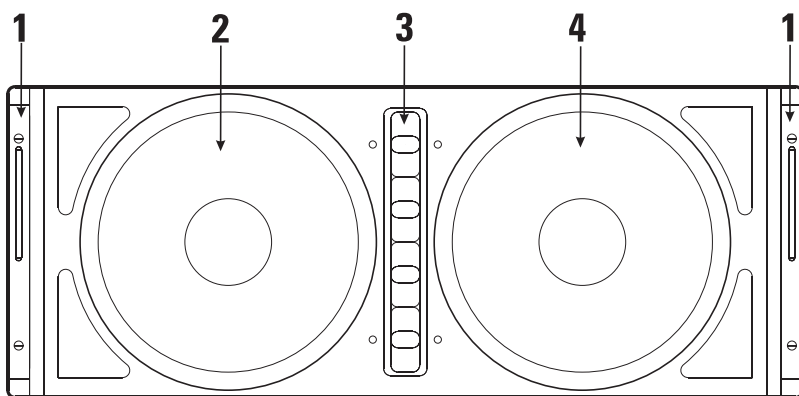
Die interne Mittenfrequenzweiche kann auf einen der beiden 254-mm- (10-Zoll-) Wandler umgeschaltet werden. Beide Wandler können den Niederfrequenzbereich bewältigen; für die Mittenfrequenzen eignet sich jedoch nur der Wandler ohne Frequenzweiche. Dies ermöglicht eine glattere Musterregelung am Übergang von den mittleren zu den hohen Frequenzen. Mit der wählbaren

Frequenzweiche können die Gehäuse durch Umlegen eines Schalters (und nicht Umkehren der Gehäuse) als rechte oder linke Bühnenlautsprecher benutzt werden.

Das Gehäuse besteht aus einem leichten, hohlen Verbundmaterial und wiegt einschließlich der eigenständigen Rigging-Komponenten nur 31,8 kg. Die Befestigungsteile ermöglichen eine einfache Verstellung des vertikalen Spreizwinkels um 0, 2, 3, 4, 5, 6, 7, 8, 9 und 10° zwischen den Boxen. Es stehen zwei Array-Gitter zur Verfügung. Der kleine Array-Rahmen nimmt max. 8 aufgehängte oder 4 aufeinander gestapelte Gehäuse auf. Der große Rahmen nimmt max. 24 aufgehängte oder 12 aufeinander gestapelte Gehäuse auf.

WideLine-Benutzer können auch EASE Focus benutzen, ein Software-Tool, das Planung und Implementierung eines WideLine-Arrays unterstützt. EASE Focus kann die Zahl der für einen bestimmten Raum erforderlichen Boxen berechnen, den optimalen Spreizwinkel zwischen diesen Gehäusen bestimmen, berechnen, auf welchen Winkel das Array-Gitter in einer Anwendung mit einem festen Aufhängepunkt eingestellt werden muss, und den akustischen Reaktions- und Schalldruckpegel im ganzen Vorführraum mittels einer zweidimensionalen Abbildung vorhersagen. Die Software ist separat erhältlich und kann von der QSC-Website heruntergeladen werden. Nähere Informationen können von QSC bezogen werden.

Wie bei allen ISIS-Produkten liegt das Schwerkgewicht des WideLine-Designs auf präziser Klangleistung, einer schnellen Anlageneinrichtung und einer Reduzierung des Arbeitsaufwands. Dank seiner einfachen Transportierbarkeit, des leichten Zusammenbaus und Gebrauchs und der eigenständigen Rigging-Hardware ist WideLine die natürliche erste Wahl. Das WideLine-Array-System bietet in Kombination mit dem ISIS 82H, 102M, 102W, 122M, 152M, 215PCM und 215SB das umfassendste Toolkit für jeden Klangverstärkungsfachmann.



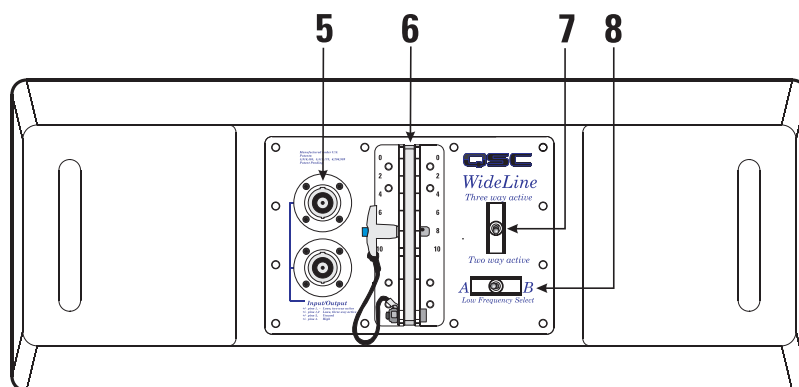
VORDERSEITE (bei angenommenem Gitter)

1- Aufnahmekanal (links und rechts vorne) mit unverlierbarem Gelenkstück (im Aufnahmekanal) und Kugelsperbolzen

2- Niederfrequenzwandler B

3- Hochfrequenzwandler-Öffnung

4- Niederfrequenzwandler A



RÜCKSEITE

5- Eingangs-/Ausgangsanschlüsse (NL8)

6- Rückseitige Verbindung, Montageblock und Kugelsperbolzen

7- Dreiweg-/Zweiweg-Wahlschalter

8- Niederfrequenz- (Weichen-) Wahlschalter

Drei-Weg-aktiv-/Zwei-Weg-aktiv-Schalter

Zwei-Weg, aktiv: Der „Vollbereichs“-NF-Eingang wird über den Niederfrequenz-Wahlschalter (oben) an die Stifte 1+ und 1- angelegt, das Frequenzweichennetzwerk mit -6 dB je Oktave an einem der NF-Wandler.

Drei-Weg, aktiv: Das Frequenzweichennetzwerk wird NICHT eingesetzt (Frequenzweiche muss von der vorgelagerten Signalverarbeitung übernommen werden). Schließen Sie das Vollbereichseingangssignal an die Stifte 1+ und 1- und das (verarbeitete) Signal mit Frequenzweiche an die Stifte 2+ und 2-. Zum Positionswechsel des Wandlers mit Frequenzweiche verwenden Sie den Niederfrequenz-Wahlschalter oder ändern Sie die Signalverarbeitung. Die Standardstellung des Niederfrequenz-Wahlschalters für den Dreistellungsmodus ist Position A; wenn er in Position B geschaltet wird, werden die Verbindungen (gemäß Tabelle 1) mit den NF-Wandlern A und B vertauscht.

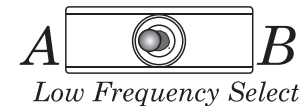
Three way active



Two way active

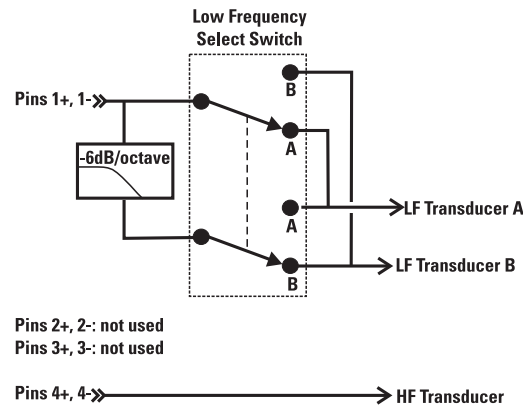
Niederfrequenz-Wahlschalter

Der WideLine weist ein Drei-Weg-Design auf (mit Frequenzweiche, ohne Frequenzweiche und Hochfrequenz); die Frequenzweiche wird im Zweistellungsmodus von einem passiven Netzwerk bzw. im Dreistellungsmodus von einer vorgelagerten Signalverarbeitung bereitgestellt. Dadurch kann die Schalterstellung zur linken oder rechten Bühnenbeschallung gewählt werden, ohne dass die Gehäuse gewechselt werden müssen.

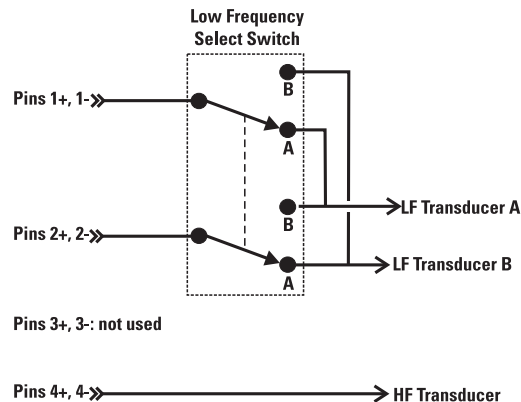


Zweiwegmodus: Der Frequenzweichenschalter ermöglicht die Wahl eines der beiden Niederfrequenzwandler als Einheit mit Frequenzweiche (nur Bass), indem ein -6-dB-je-Oktave-Netzwerk zwischengeschaltet wird. Der Schaltergriff zeigt auf die Seite des (Vollbereichs-) Niederfrequenzwandlers ohne Frequenzweiche.

DE



Dreiwegmodus: Das interne Netzwerk mit -6 dB je Oktave wird auf **KEINEN** der beiden NF-Wandler angewandt. Die Frequenzweiche wird mit der Signalverarbeitung erreicht. Der Schaltergriff zeigt NUR DANN auf die Seite des (Vollbereichs-) Niederfrequenzwandlers ohne Frequenzweiche, wenn das Vollbereichssignal auf die Stifte 1+ und 1- und das Signal mit Frequenzweiche auf die Stifte 2+ und 2- angewandt wird. Die Standardstellung für den Dreiwegmodus ist Position A; wenn der Schalter in Position V versetzt wird, werden die Verbindungen zu den NF-Wandlern A und B ausgetauscht.



Eingangsanschlüsse

Die Eingangsanschlüsse sind ein parallel verdrahtetes Neutrik NL8-Paar Die Anschlüsse für Biamp- oder Triamp-Betrieb sind unterschiedlich (siehe Tabelle 1). Die Stiftbelegungen für den Kabelverbinder NL8FC sind zur besseren Orientierung der Abbildung unten rechts zu entnehmen.

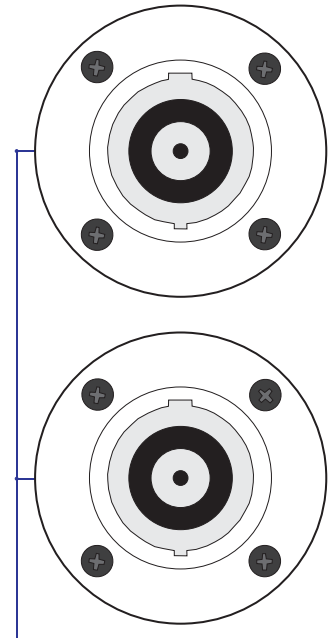


Bitte beachten! Im Dreiwegmodus bestimmt die Position des Niederfrequenz-Wahlschalters die Verdrahtung des Eingangsanschlusses. Wenn die Schalterposition und die Verdrahtung nicht streng kontrolliert werden, kann es zu unerwarteten Ergebnissen kommen.

Der WideLine-Lautsprecher ist nicht für ein Crossover-Netzwerk ausgerüstet. Die gesamte Signalverarbeitung muss abgeschlossen sein, bevor der Audioleistungsanschluss mit dem Lautsprecher verbunden wird. Schließen Sie kein Vollbereichs-Audiokabel an den Hochfrequenzwandler an, das dies zu Beschädigungen führen kann.

Tabelle 1: Eingangsanschlussverdrahtung, Zwei- und Dreiwegmodus

Stift	Zweiweg In den Signalpfad eingefügtes internes Frequenzweichennetzwerk	Dreiweg Externe Verarbeitung für Frequenzweiche verwenden, NF- Wahlschalter in Position A	Dreiweg Externe Verarbeitung für Frequenzweiche verwenden, NF- Wahlschalter in Position B
1+	NF +	NF A +	NF B +
1-	NF -	NF A -	NF B -
2+	Nicht belegt	NF B +	NF A +
2-	Nicht belegt	NF B -	NF A -
3+	Nicht belegt	Nicht belegt	Nicht belegt
3-	Nicht belegt	Nicht belegt	Nicht belegt
4+	HF +	HF +	HF +
4-	HF-	HF-	HF-



Input/Output

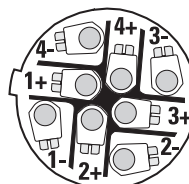
+/- pins 1, - Lows, two way active
 +/- pins 1,2 Lows, three way active
 +/- pins 3, Unused
 +/- pins 4, High

DE

Neutrik NL8FC Kabelanschlussbelegung

Es folgt ein Diagramm, aus dem die Stiftbelegung im Neutrik NL8FC-Steckverbinder hervorgeht. Diese Informationen sollen lediglich einen Überblick bieten. Das Diagramm zeigt den Steckverbinder von der Seite, an der der Leiter angeschlossen wird.

NL8FC Stiftbelegungen - Blick auf den Steckverbinder von der Verdrahtungsseite.



Rigging



VORSICHT: DAS AUFHÄNGEN VON LAUTSPRECHERN BEINHÄLTET DAS RISIKO SCHWERER ODER TÖDLICHER VERLETZUNGEN. ES IST UNBEDINGT DARAUF ZU ACHTEN, DASS DIE MONTAGEFLÄCHEN MINDESTENS DAS FÜNFACHE DES GEWICHTS DES LAUTSPRECHERS UND DER BEFESTIGUNGSVORRICHTUNG TRAGEN KÖNNEN. NUR FÜR DIESE LAST AUSGELEGTE BEFESTIGUNGSTEILE VERWENDEN. BEI DER IMPLEMENTIERUNG EINER ÜBERKOPFAUFHÄNGUNG STETS EINEN ENTSPRECHEND ZERTIFIZIERTEN FACHMANN HINZUZIEHEN.

Der große Array-Rahmen bietet Platz für maximal vierundzwanzig (24) Gehäuse. Ein aus 24 Lautsprechergehäusen bestehendes System wiegt nur 762 kg; der große Array-Rahmen wiegt 37,6 kg. Der kleine Array-Rahmen nimmt maximal acht (8) Gehäuse auf; das Systemgesamtwicht beträgt 190,5 kg und der Rahmen wiegt 15 kg. Die Rigging-Komponenten verhindern eine Array-Montage, bei der ein Gehäuse verkehrt eingesetzt wird.

Das Rigging-System für WideLine wurde so konstruiert, dass bei Anbringung von 24 Lautsprechergehäusen im großen Array-Rahmen bzw. 8 Gehäusen im kleinen Array-Rahmen mindestens das standardmäßige Industrie-Kräfteverhältnis von 5:1 erreicht wird. Palos Verdes Engineering hat die mechanischen Berechnungen zertifiziert, und ATM Flyware hat Zerstörungsprüfungen durchgeführt.

In WideLine-Gehäusen kommt ein Dreipunkt-Aufhängesystem zum Einsatz. Das System besteht aus vorderen, rechten/linken, unverlierbaren Gelenkverbindungen und einer einzelnen rückseitigen Verbindungsschiene. Die Schwenkung erfolgt in 2-Grad-Inkrementen, wenn die erste Position auf der Verbindungsschiene verwendet wird. Wird dagegen die zweite Position verwendet, kann – angefangen bei 3° – eine Einstellung in 1-Grad-Inkrementen vorgenommen werden. Insgesamt sind die folgenden Winkelinkremente einstellbar: 0, 2, 3, 4, 5, 6, 7, 8, 9 und 10°. Alle Teilchen und Sperrbolzen verbleiben an den Gehäusen. Zum Aufhängen der Gehäuse im WideLine-Gitter sind keine zusätzlichen Komponenten erforderlich. Alle Kugelsperrbolzen sind angeleint und können nicht verloren gehen.

Vordere Gelenkbefestigung

Legen Sie das Ende der Gelenkverbindung frei, indem Sie die vorne aus dem Aufnahmekanal herausragende Sicherungsschraube des Gelenks nach oben schieben. Das vordere, unverlierbare Gelenk wird aus dem Aufnahmekanal des Gehäuses heraus nach oben geschoben.

Das freigelegte Ende des Verbindungsgelenks kann jetzt in den Aufnahmekanal des nächsten Gehäuses geschoben und mit einem Sperrbolzen gesichert werden. Dieses Verfahren wird auf jeder Seite des Gehäuses durchgeführt. Dann kann die rückseitige Verbindungsschiene in die korrekte Position gedreht und im gewünschten Winkelinkrement mit einem Bolzen gesichert werden.

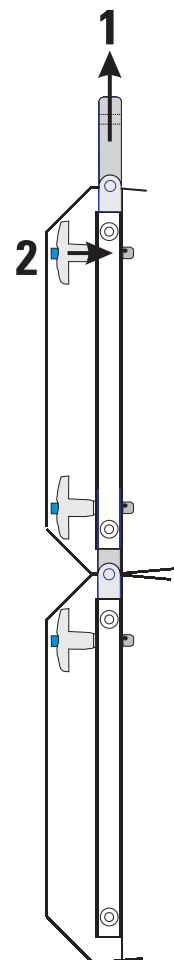
Rückseitige Verbindungs- (Winkeleinstell-) Komponenten

In der Ruhestellung ist die rückseitige Verbindung zwischen den Seiten des Blocks eingeklappt. Um die Verbindung freizulegen, entfernen Sie den Kugelsperrbolzen und drehen die Verbindungsschiene in die gewünschte Position. Wenn sie sich in der vorgesehenen Position befindet, wird die Verbindungsschiene mit dem Kugelsperrbolzen des angrenzenden Gehäuses gesichert.

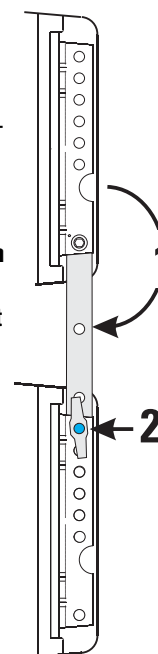
Die rückseitige Verbindung ist mit einer schmalen, weißen Linie an der „Normal“-Position (0°) und mit dem Aufdruck „+3“ an der +3°-Position markiert.

Das zusätzliche Kugelsperrbolzenloch (etwa in der Mitte der Verbindungsschiene) wird zum Verstauen der Schiene in ihrer eingeklappten Stellung im Gehäuseblock benutzt. Die Verbindungsschiene kann in der 0°- oder 8°-Position auf dem Block gesichert werden, wenn sie in die Ruhestellung gedreht wird.

Vorderes Gelenk - Das Gelenk durch Hochschieben der Sicherungsschraube aus dem Aufnahmekanal herauschieben und dann mit dem Kugelsperrbolzen sichern.



Rückseitige Verbindung – Den Kugelsperrbolzen aus der Ruheposition herausziehen und die Verbindungsschiene nach unten zum angrenzenden Gehäuse schwenken. Mit dem Kugelsperrbolzen sichern.



Einstellen des Spreizwinkels zwischen Gehäusen

Die Abbildung zeigt den rückseitigen Bolzenblock von zwei Gehäusen, die über die rückseitige Verbindungsschiene des oberen Gehäuses miteinander verbunden sind.

Verwenden Sie die erste Bolzenposition auf der Verbindungsschiene (die dem Schienenende nächstgelegene Position) für Einstellungen in normalisierten 2°-Inkrementen. Als Beispiel sind links zwei Gehäuse abgebildet, die in einem 8-Grad-Spreizwinkel aneinander gekoppelt sind. Der Kugelsperrbolzen wird in der 8°-Position in den rückseitigen Block eingesetzt, wobei er durch das „normale“ Bolzenloch in der Verbindung gesteckt wird.

Wenn die „+3“-Position benutzt wird, werden der „normalisierten“ Position weitere 3° hinzugefügt. Als Beispiel sind rechts zwei Gehäuse abgebildet, die in einem 9-Grad-Spreizwinkel aneinander gekoppelt sind. Der Kugelsperrbolzen wird in der 6°-Position in den rückseitigen Block eingesetzt, wobei er durch das „+3°“ Bolzenloch in der Verbindungsschiene gesteckt wird. Der Gesamtspreizwinkel von 9 Grad setzt sich aus den auf dem Block angezeigten 6° plus den zusätzlichen 3° aus der Verbindungsschienen-position zusammen. Auf diese Weise können 1-Grad-Inkrementen eingestellt werden, beginnend mit 3° (0°-Blockposition und +3°-Position auf der Verbindungsschiene).

Array-Rahmen (Aufhängegitter)

Für das WideLine-System stehen zwei Array-Rahmen zur Verfügung.

Der große Rahmen wird zum Aufhängen eines typischen Arrays aus vier bis vierundzwanzig Boxen verwendet. Das große Gitter kann umgekehrt werden, sodass zwölf oder mehr Gehäuse übereinander gestapelt werden können.

Außerdem ist ein kompakter, leichter zu handhabender Rahmen erhältlich, der als kleines Array für bis zu vier übereinander gestapelte oder aufgehängte Gehäuse verwendet werden kann. Dieses Montagegitter kann problemlos auf gestapelten Bassgehäusen platziert oder bei kleineren Veranstaltungen eingesetzt werden, um Cluster an Bühnentraversen aufzuhängen.

Großer Array-Rahmen (Aufhängegitter)

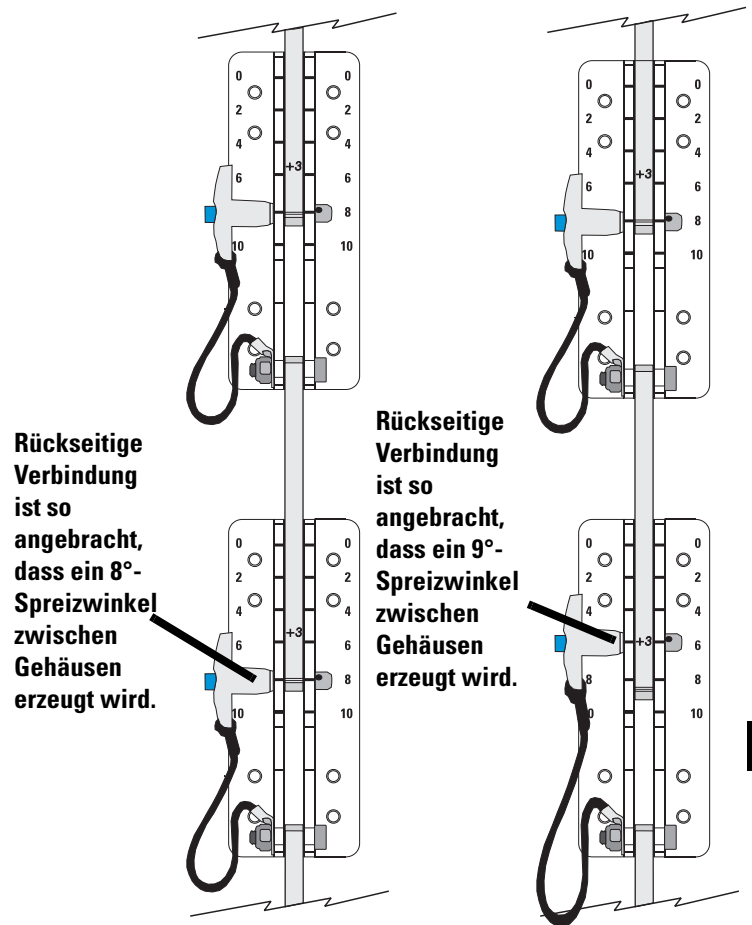
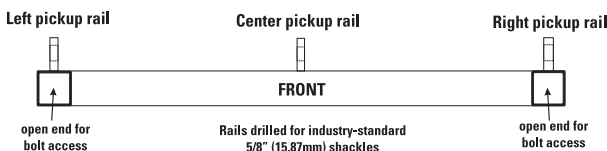


Am großen Array-Rahmen dürfen nicht mehr als vierundzwanzig (24) Gehäuse aufgehängt werden.

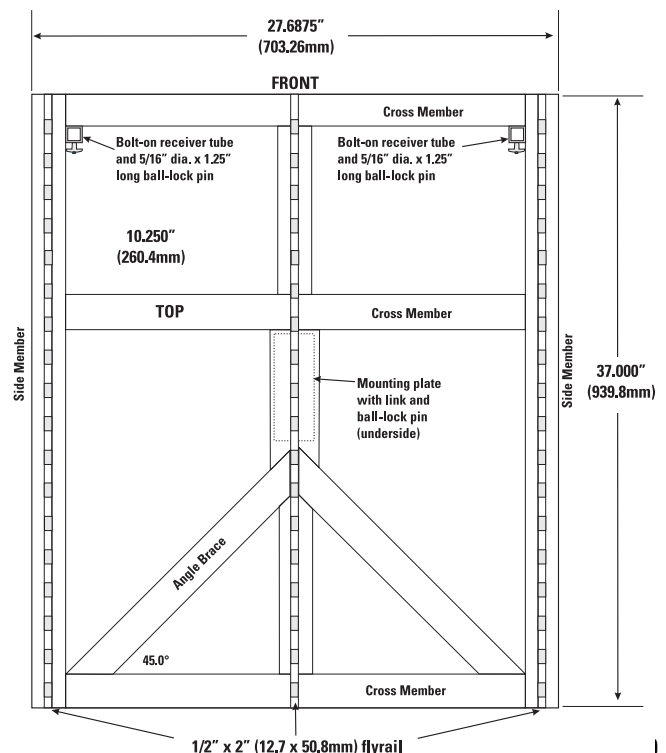
In einem großen Array-Rahmen dürfen nicht mehr als zwölf (12) Gehäuse übereinander gestapelt werden.

Verwenden Sie an den vorderen Aufnahmekanälen nur Kugelsperrbolzen mit einem Durchmesser von 5/16" (7,94 mm) und einer Länge von 1,25" (31,75 mm).

Die drei Aufnahmeschienen ermöglichen eine Vielzahl von Rigging-Lösungen selbst für die anspruchsvollsten Säle und Hallen. Die Schienen sind für dem Industriestandard entsprechende 5/8-Zoll-Schäkel vorgebohrt.

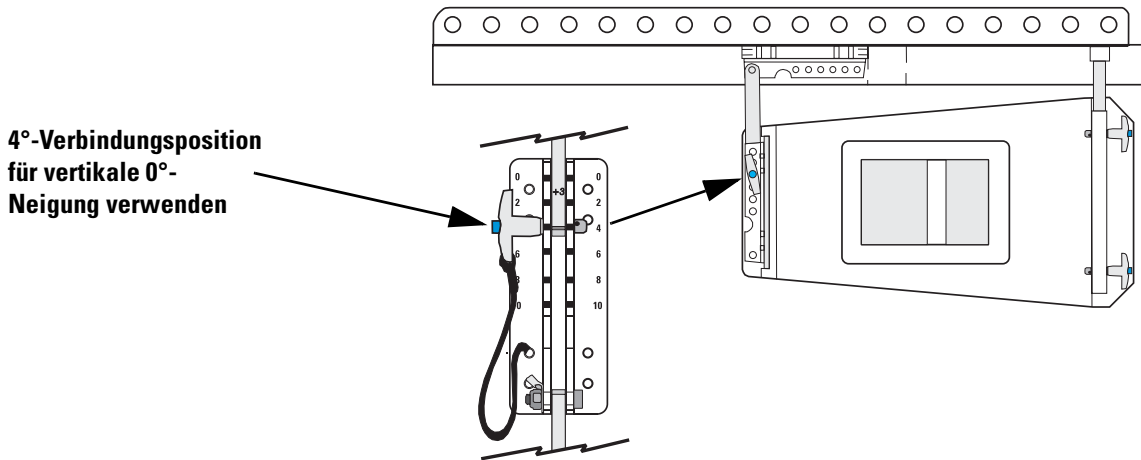


DE



Großer Array-Rahmen (Forts.)

Die Montageplatte und das Verbindungsstück befinden sich auf der Unterseite der Rahmenbaugruppe. Mit diesem Verbindungsstück wird die Rückseite des ersten Gehäuses befestigt. Das Montagegitter ermöglicht Auf- oder Ab-Winkeloptionen zum Stapeln oder Aufhängen. Die 4°-„Normalpositionen“ auf dem Verbindungssystem bewirken eine vertikale Nullgradneigung.



DE

Kleiner Array-Rahmen (Stapelgitter)

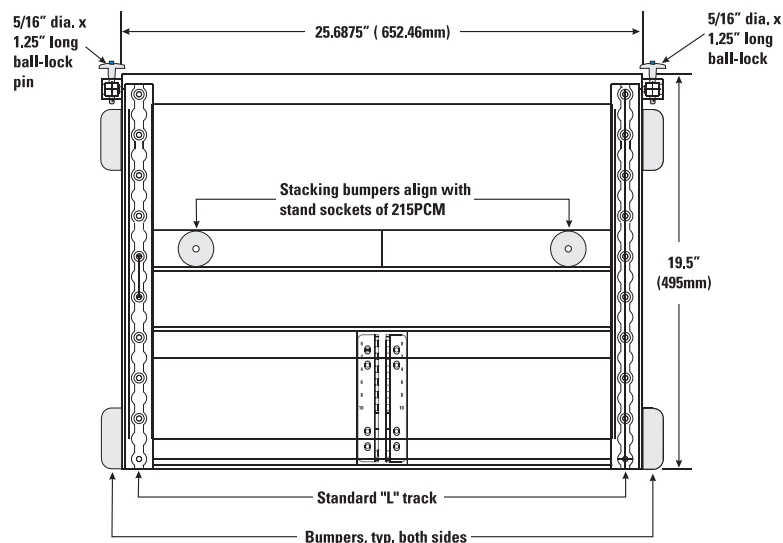


Am kleinen Array-Rahmen dürfen nicht mehr als acht (8) Gehäuse aufgehängt werden.

In einem kleinen Array-Rahmen dürfen nicht mehr als vier (4) Gehäuse übereinander gestapelt werden.

Verwenden Sie an den vorderen Aufnahmekanälen nur Kugelsperrbolzen mit einem Durchmesser von 5/16" (7,94 mm) und einer Länge von 1,25" (31,75 mm).

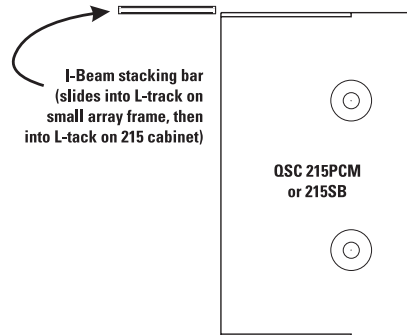
Der kleine Rahmen nimmt problemlos vier Gehäuse auf und kann sowohl in Stapel- als auch in Hängekonfigurationen mit dem QSC 215PCM- oder 215SB-Subwoofer verbunden werden. Die Stapelpuffer auf dem Rahmen müssen möglicherweise zur gegenüberliegenden Seite des Rahmenelements verschoben werden, um verwendet werden zu können. Zur Konstruktion des kleinen Rahmens gehört der „L“-Standard-Montagekanal.



Stapeln des kleinen Array-Rahmens

Der kleine Array-Rahmen verfügt über zwei Aluminiumschienen zum Ausrichten und Befestigen des Rahmens am QSC-Subwoofer „215“.

Jede dieser Schienen wird einfach in den L-Kanal des kleinen Rahmens geschoben und mit einer Verschraubung gesichert. Drehen Sie den Rahmen dann um (sodass die Schienen unten sind) und schieben Sie die freiliegenden Schienen in den L-Kanal des Subwoofers. Sichern Sie die Schiene mit einer Verschraubung. Beachten Sie, dass die benutzten Verschraubungen nicht für eine bestimmte Last ausgelegt sein müssen, da sie lediglich verhindern, dass sich die Schienen zur Seite bewegen.



Beim Stapeln eines kleinen Array-Rahmens auf dem 215SB- oder PCM-Schrank von QSC mithilfe der in jeden L-Kanal eingeschobenen Schienen (1 Schiene pro L-Kanal) die ordnungsgemäße Ausrichtung und Befestigung des Rahmens am 215er Schrank sicherstellen. Mit Verschraubungen sichern.

In einem kleinen Array-Rahmen dürfen nicht mehr als vier (4) Gehäuse übereinander gestapelt werden.

DE

Pflege

Die Innensechskant-Flachkopfschrauben, die in WideLine-Produkten verwendet werden, sind für die auf sie ausgeübten Belastungen ausgelegt und bestehen aus hochfestem Stahl und nicht aus Edelstahl. Edelstahlschrauben sind nicht zur Bewältigung der nötigen Lasten zugelassen. Wenn Befestigungsteile ersetzt werden müssen, besorgen Sie sich die nötigen Ersatzteile vom technischen Kundendienst von QSC.

Die Rigging-Komponenten bestehen aus Edelstahl mit schwarzem Oxidüberzug. Die Oxidbeschichtung ist nicht rostfrei.

Wir empfehlen, alle Schrauben, Bolzen, Befestigungsteile und Rahmen vor und nach dem Einsatz der Anlage im Freien mit LPS[®] Trockenfilm-Schmiermittel oder Starrett M1[®] Mehrzweckschmiermittel abzuwischen. Dadurch wird nicht nur die Bildung von Rost und anderen Oxiden verhindert, sondern auch die erforderliche Schmierung vorgenommen, wodurch die Nutzungsdauer des WideLine-Produkts verlängert und sein Gebrauch vereinfacht wird.

Vorläufige technische Daten (können jederzeit ohne vorherige Mitteilung geändert werden)

Konfiguration:	Dreiweg, Biamp-Betrieb (Zweiweg-aktiv) oder Triamp-Betrieb (Voll-Dreiweg-aktiv)
Frequenzgang:	52 Hz - 18 KHz (+/- 3 dB)
Empfindlichkeit:	Biamp: 97 dB (2,83 V bei 1 m) Triamp: 99 dB (2,83 V bei 1 m)
Nennabstrahlung:	Horizontal:140 Grad Vertikal: Je nach Anzahl der benutzten Elemente
Nennimpedanz:	8 Ohm, Niederfrequenz im Biamp-Modus, 16 Ohm, Niederfrequenz im Triamp-Modus 16 Ohm, Hochfrequenz
Wandler:	
Niederfrequenz:	zwei 10 Zoll (254 mm) lange Auslenkung, hohe Leistung, 3-Zoll- (76-mm-) Schwingspule, je 16 Ohm, 380 Watt eff.
Hochfrequenz:	3,0-Zoll- (76-mm-) Membran, 1,4-Zoll- (36-mm-) Ausgang, 16-Ohm-Neodym-Komprimierungstreiber auf firmenrechtlich geschütztem, zum Patent angemeldetem Wellenleiter, 80 Watt eff.
Empfohlene Verstärkerleistung:	300 Watt, Hochfrequenz 700 Watt, Mittenfrequenz, Triamp-Modus 700 Watt, Niederfrequenz, Triamp-Modus 1400 Watt, Nieder-/Mittenfrequenz, Biamp-Modus

DE

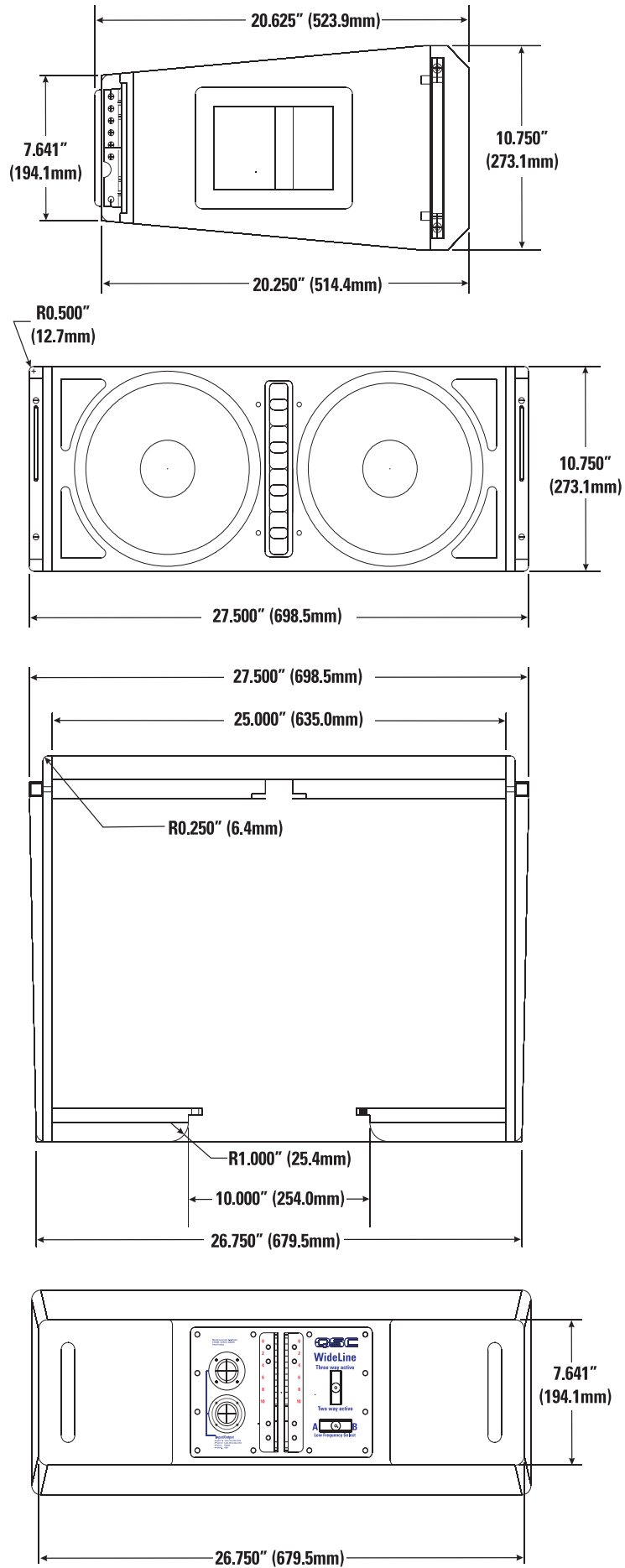
Gehäuse:

Typ:	Bass-Reflex (mit Anschlüssen), trapezförmig
Material:	Hohler Verbundstoff
Oberflächenausführung:	texturierte schwarze oder weiße Beschichtung
Gitter	pulverspritzlackierter Stahl
Steckverbinder:	zwei Neutrik NL8
Befestigungspunkte:	Selbsttragende Rigging-Konfiguration Jeder vordere Aufnahmekanal enthält ein unverlierbares Gelenk und zwei angeleimte Kugelsperrbolzen. Rückseite Der rückseitige Montageblock hat eine integrierte Montageverbindungskomponente und einen angeleimten Kugelsperrbolzen.
Gewicht:	31,8 kg
Abmessungen:	27,3 cm H x 69,85 cm B x 51,43 cm T

Zubehör

Array-Rahmen:	Kleiner Array-Rahmen - max. 8 Gehäuse für Aufhängenanwendungen, max. 4 Gehäuse zum Aufeinanderstapeln auf einem I-215-Unterschrank (Bodenanwendungen). Rahmengewicht: 15,0 kg Großer Array-Rahmen - max. 24 Gehäuse für Aufhängenanwendungen, max. 12 Gehäuse für Stapelanwendungen. Rahmengewicht: 38,1 kg
Software	EASE Focus-Reihen-Array-Modellierungssoftwaretool erhältlich. DSP-Dateien für QSCControl.net und Signal Manager erhalten Sie im Internet von www.qscaudio.com oder vom technischen Kundendienst von QSC
Kugelsperrbolzen	5/16 Zoll (7,9 mm) Durchmesser x 0,75 Zoll (19,05 mm) Länge, T-Griff, Bestell-Nr. SR000052-00 5/16 Zoll (7,9 mm) Durchmesser x 1,25 Zoll (19,05 mm) Länge, Knopfgriff, Bestell-Nr. SR000081-00

Abmessungen



DE

Kontaktinformationen für QSC Audio Products

Postanschrift:

QSC Audio Products, Inc.
1675 MacArthur Boulevard
Costa Mesa, CA 92626-1468 USA

Telefonnummern:

Zentrale: +1 (714) 754-6175
Verkauf und Marketing +1 (714) 957-7100 oder gebührenfrei (nur in den USA) (800) 854-4079
Kundendienst +1 (714) 957-7150 oder gebührenfrei (nur in den USA) +1 (800) 772-2834

Fax-Nummern:

Verkauf und Marketing FAX +1 (714) 754-6174
Kundendienst FAX +1 (714) 754-6173

Internet:

www.qscaudio.com

E-Mail:

info@qscaudio.com
service@qscaudio.com

Garantieausschluss (nur für die USA; wenden Sie sich zwecks Garantieinformationen für andere Länder an Ihren Händler oder Distributor)

QSC Audio Products, Inc. ist für keine Schäden an Verstärkern, Lautsprechern oder jeglichen anderen Geräten haftbar, die durch Fahrlässigkeit oder eine unsachgemäße Installation und/oder Verwendung dieses Signalverarbeitungsprodukts verursacht werden. Trotz der Bemühungen von QSC, das zuverlässigste und robusteste „Netzwerk“-Audio-Produkt zu Ihrem Gebrauch zu entwickeln und herzustellen, kann QSC auf Grund der großen Anzahl von Netzwerksituationen und -geräte, die im Zuge seiner Implementierung angetroffen werden können, keine Verantwortung für Netzwerkkonflikte und sich daraus möglicherweise ergebende Konsequenzen übernehmen. Aus diesem Grund empfiehlt QSC nachdrücklich, das für die Implementierung von QSCControl-Produkten benutzte Netzwerk völlig von allen anderen Netzwerken, Daten oder sonstigem zu trennen. Sollten Sie daher nach eigener Entscheidung QSCControl-Produkte in Ihr existierendes Netzwerksystem integrieren, übernehmen Sie auch alle Risiken, die mit der Integration von QSCControl-Produkten in Ihr existierendes Netzwerk oder Ihre existierenden Netzwerksysteme verbunden sind. QSC bemüht sich um technische Lösungen höchster Qualität für vernetzte Audio-Produkte. QSC oder seine Lieferanten sind jedoch unter keinen Umständen für jegliche Folge-, Neben- oder sonstige Schadensforderungen, einschließlich jeglicher Ansprüche auf Grund entgangener Gewinne und/oder Einsparungen infolge einer versuchten Integration von QSCControl-Produkten in Ihre Netzwerksysteme haftbar. Kein Vertreter, Angestellter oder Repräsentant von QSC ist dazu befugt, die in diesem Dokument enthaltenen Offenlegungen und Empfehlungen in irgendeiner Weise zu ändern oder zu modifizieren.

Beschränkte Dreijahresgarantie durch QSC Audio Products

QSC Audio Products, Inc. („QSC“) gewährleistet, dass seine Produkte für einen Zeitraum von drei (3) Jahren ab dem Kaufdatum keine Material- und/oder Ausführungsfehler aufweisen werden, und QSC verpflichtet sich zum Ersatz defekter Teile und zur Reparatur funktionsgestörter Produkte gemäß dieser Garantie, wenn dieser Fehler bei einer normalen Installation und unter normalen Gebrauchsbedingungen auftritt – vorausgesetzt, dass das Gerät unter Vorauszahlung der Transportkosten und zusammen mit einer Kopie des Kaufnachweises (z. B. der Kaufquittung) an unser Werk zurückgeschickt oder an eine unserer autorisierten Kundendienststellen eingeschickt wird. Diese Garantie setzt voraus, dass die Prüfung des zurückgeschickten Produkts in unserem Ermessen einen Herstellungsdefekt zu erkennen gibt. Diese Garantie erstreckt sich auf keine Produkte, die einer unsachgemäßen oder fahrlässigen Behandlung, Unfällen oder einer unvorschriftsmäßigen Installation unterlagen, oder deren Datumscode entfernt oder unkenntlich gemacht wurde. QSC ist für keine Neben- und/oder Folgeschäden haftbar. Diese Garantie gewährt Ihnen bestimmte Rechte. Diese beschränkte Garantie ist während der Garantiezeit frei übertragbar.

Manche Kunden können je nach Rechtsprechung zusätzliche und andere Rechte besitzen.

Falls dieses Produkt zum Export und Verkauf außerhalb der Vereinigten Staaten oder deren Hoheitsgebieten hergestellt wurde, besitzt diese eingeschränkte Garantie keine Gültigkeit. Die Entfernung der Seriennummer auf diesem Produkt oder der Kauf dieses Produkts von einem nicht autorisierten Händler macht diese beschränkte Garantie unwirksam.

Diese Garantie wird gelegentlich aktualisiert. Die jeweils aktuellste Version der Garantieerklärung von QSC finden Sie im Internet unter www.qscaudio.com.

Sie erreichen uns telefonisch unter +1 800-854-4079 (gebührenfrei in den USA und Kanada) oder im Internet unter www.qscaudio.com.



QSC Audio Products, Inc. 1675 MacArthur Boulevard Costa Mesa, California 92626 USA
©2005 „QSC“ und das QSC-Logo sind beim US-Patent- und Markenamt angemeldet.

重要安全注意事项

遵照 QSC Audio Product 公司规定在经认证的专业工程师监督下进行安装。

警告！

放置、安装、装配或悬挂扬声器产品时，检查所有硬件、悬架、搁柜、换频器、支架和相关设备有无损坏。任何额定部件的缺失、腐蚀、变形或未装载都可能大大降低安装、放置或排列的强度。以上任何情况都会严重降低安装的安全性，一经发现应立即更正。仅限使用符合额定加载条件安装并可应付可能的短期突发超载的硬件。切勿超过硬件或设备的额定标准。

关于物理设备的安装，请咨询经认证的专业工程师。确保理解并遵循所有当地、州和国家关于悬空设备安全和操作的规定。

保修（仅限美国；其它国家，请联系您的经销商或分销商）

免责声明

QSC Audio Products, Inc. 不承担因疏忽、或不当安装和 / 或不当使用本扬声器产品而对放大器或任何其它设备造成损坏的任何责任。

QSC Audio Products 3 年有限质保协议

QSC Audio Products, Inc. (“QSC”) 担保其产品自销售之日起三年内不会发生材料或制造工艺缺陷；若在正常安装和使用条件下发生的损坏，QSC 将按照本质保协议更换有缺陷的零件和维修故障产品 - 但您要将产品送回我们的工厂或任一授权维修点，预付运费并附带购买证明（即销售收据）复印件。此质保协议规定，退回的产品必须经我们检查断定存在制造缺陷。本质保不适用于任何因误用、疏忽、意外、不正确安装，或日期编码被去掉或破损的产品。QSC 不对意外和 / 或间接发生的损害承担责任。此质保赋予您特定的法律权力。此有限质保在保证期内可自由转让。

在不同的州，顾客可能会有额外的权利。

此有限质保不适用于为出口或不在美国销售而生产的产品。产品上缺少序列号，或者从非授权销售商处购买此产品，将失去此有限质保。

此质保协议定期更新。请浏览：www.qscaudio.com，获得最新版本的 QSC 质保协议声明。

联系我们：800-854-4079，或访问我们的网站：www.qscaudio.com。

© Copyright 2005, QSC Audio Products, Inc.

QSC® 是 QSC Audio Products, Inc. 的注册商标

Speakon® 是 Neutrik® 的注册商标，所提到的 Neutrik® 产品为 Neutrik® 的商标和 / 或服务标识。

M1® 是 Starrett® 的注册商标 (L.S. Starrett 公司)

LPS® 是 LPS 实验室的注册商标

所有商标归其各自拥有者所有。

“QSC” 和 QSC 标志已在美国专利和商标局注册

介绍

WideLine 扬声器系统为小型系统，它的功率容量、频率响应和覆盖范围可以达到大型系统的效果。主要用于舞厅、剧院、夜总会、礼拜堂，以及公司 / 商业市场的中小型活动。

Wideline 系统适合单机使用，作为全幅、清晰、高保真、声音增强产品，不用超低音或低音模块就可产生几乎所有的音乐效果。在小格式包装中低音响应达 52 赫兹 (-3dB)。3 分频双功放或三功放设计可以将所需放大降低到最低。

用作主阵列时，Wideline 超乎寻常的宽散射可无需侧面返送悬挂。用作中央集群，或与大型线性阵列系统共同使用时作为下区补音或下挂机罩使用，其宽散射也可提供增强覆盖率。

宽散射是借助安装在公司独家拥有、已申报专利的多开口衍射槽导波管上的 3" (76mm) 振膜，1.4" (36mm) 出口钹高频驱动器实现的。本设备是线性阵列效果最理想的线性源。

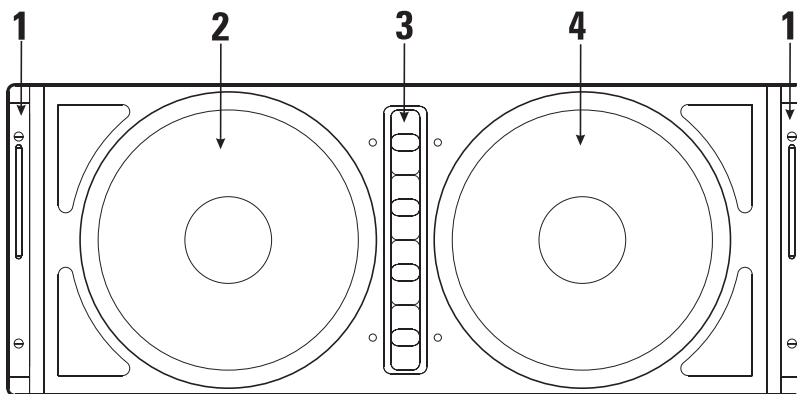
内置的中频黑斑补偿可以切换到任意一个 10" (254mm) 换频器上。两个换频器都可处理低频率，但是只有无黑斑补偿的换频器处理中频。这样在中高分频的模式控制就更为平滑。配合可选黑斑补偿，合上开关后（而非机罩），机罩还可以用作左外罩或右外罩。

机罩由轻质带芯复合材料制成，包括本身含有的装配硬件在内重量只有 70 磅 (31.8kg)。通过硬件可以在机罩间进行简便的垂直外张角度调整，幅度

为 0、2、3、4、5、6、7、8、9 和 10°。可使用双阵列栅格。小型阵列架可支持多达 8 个悬空机罩或 4 个堆迭机罩。大型阵列架可支持多达 24 个悬空机罩或 12 个堆迭机罩。

WideLine 用户还可使用一种叫做“轻松聚焦” (EASE Focus) 的软件工具帮助进行设计和实施 WideLine 排列。轻松聚焦软件可以计算一给定空间 (场所) 内所需的机罩数量，确定机罩间最佳的外张角度，计算在单 (可变) 起吊点或固定悬挂点时设定阵列栅格的角度，并通过二维图像预测整个场所中的声响和声压强度。软件可以单独获取；可从 QSC 网站下载或联系 QSC 了解更多信息。

同所有的 ISIS 产品一样，WideLine 设计主要集中在精确的声音表现，快速安装，以及节约人工。运输、安装、使用和自有装配硬件方便，这一切都使得 WideLine 成为您明智的选择。配合 ISIS 82H、102M、102W、122M、152M、215PCM 和 215SB，WideLine 线性阵列系统是最为完整的专业扩音必备工具箱。



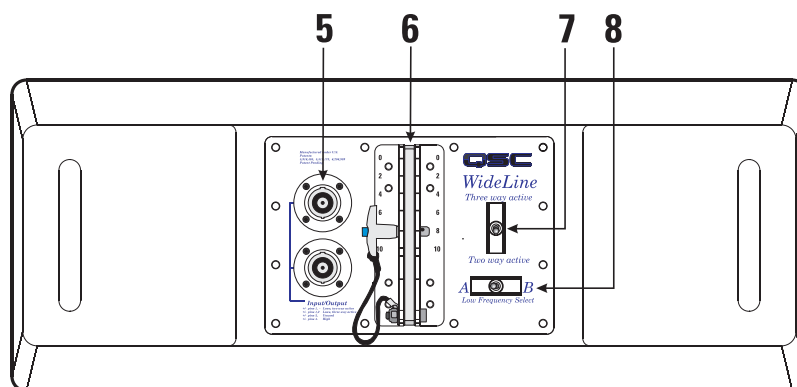
前面 (栅格已移除)

1 一接收管 (从左到右)，带有俘获式铰接接头 (接收管中) 和球形闸销

2 一低频换频器 B

3 一高频换频器孔

4 一低频换频器 A



后面

5 一输入 / 输出接头 (NL8)

6 一后部连接、安装架和球形闸销

7 一三向 / 双向选择开关

8 一低频 (黑斑补偿) 选择开关

三向有源 / 双向有源开关

双向有源: “全幅” LF 输入接到引脚 1+ 和 1-, -6dB/八度音黑斑补偿网络接到其中的一个使用低频选择开关 (上面) 的 LF 换频器。

三向有源: 不使用黑斑补偿网络 (黑斑补偿必须由上行信号处理提供)。将全幅输入信号接入引脚 1+ 和 1-, 将已补偿 (处理) 的信号接入引脚 2+ 和 2-。要改变已补偿换频器的位置, 使用低频选择开关或更改信号处理。三向模式的默认低频选择开关位置为 A; 如果放在 B 处, 和 LF 换频器 A 和 B 的连接 (根据表 1) 就互换了。

Three way active

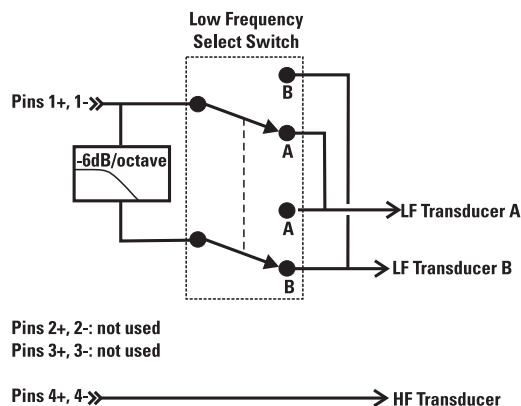
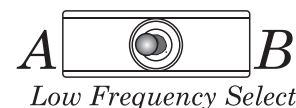


Two way active

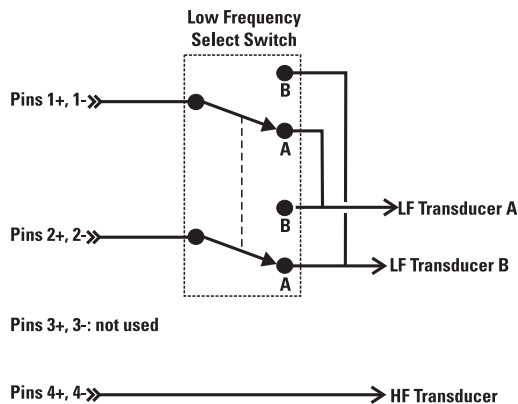
低频选择开关

WideLine 为三向设计 (已补偿、未补偿和高频), 补偿由无源网络 (双向模式) 或上行信号处理 (DSP) (三向模式) 提供。这样无需更改音箱就可以选择使用 “左机罩” 或 “右机罩”。

双向模式: 通过插入一个 -6dB/八度网, 补偿开关可以将任一低频换频器当作已补偿单元进行选择 (仅低音)。开关把手指向未补偿的 (全幅) 低频换频器一侧。



三向模式: 内部的 -6dB/八度网未应用到任一 LF 换频器上。由信号处理来实现补偿。只有在全幅信号应用到引脚 1+ 和 1- 以及已补偿信号应用到引脚 2+ 和 2- 的时候, 开关把手才指向未补偿的 (全幅) 低频换频器一侧。三向模式的默认位置在 A; 如果放在 B 处, 和 LF 换频器 A 和 B 的连接就互换了。



输入连接

输入接头为一对平行布线的 Neutrik NL8。双功放和三功放的连接不同，见表 1。所列 NL8FC 电缆接头的引脚标识仅供参考，见右下角。

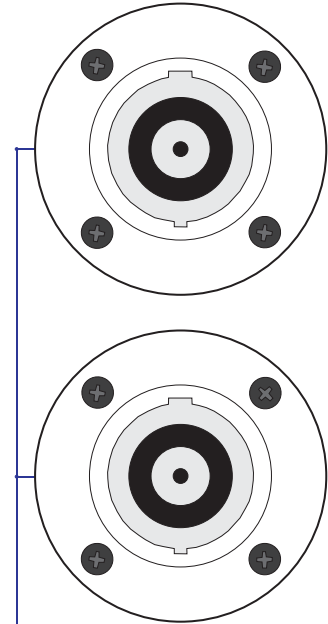


注意！在三向模式中，低频选择开关的位置决定输入接头的接线方式！如果没有严格遵守开关位置和接线的规定可能会造成意料不到的后果。

WideLine 扬声器没有配备分频网络。所有的信号都必须在将音频功率接入扬声器之前处理完成。勿将全幅声音接到高频换频器，否则可能会造成损坏！

表 1: 输入接头的接线、双向和三向模式

引脚	双向 插入信号路径的内部 补偿网络	三向 使用外部处理进行补 偿, LF 选择开关位 置 A	三向 使用外部处理进行补 偿, LF 选择开关位 置 B
1+	LF +	LF A +	LF B +
1-	LF -	LF A -	LF B -
2+	未使用	LF B +	LF A +
2-	未使用	LF B -	LF A -
3+	未使用	未使用	未使用
3-	未使用	未使用	未使用
4+	HF +	HF +	HF +
4-	HF-	HF-	HF -



Input/Output

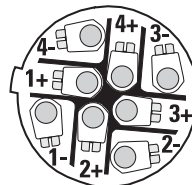
- +/- pins 1, - Lows, two way active
- +/- pins 1,2 Lows, three way active
- +/- pins 3, Unused
- +/- pins 4. High

CH

Neutrik NL8FC 电缆接头引出线

下图是 Neutrik NL8FC 接头内部的引脚标识。此信息仅供参考。此图是从插线端看到的接头情形。

NL8FC 销子标识—从接线端看到的插头。



装配



小心：悬挂扬声器可能会脱落进而造成严重的人身伤害或者死亡。请务必确认安装面可以承受扬声器以及安装组件重量五倍以上的重量。仅限使用额定硬件。进行过顶悬挂时一定要向经认证的专业人士咨询。

大型阵列架的最多阵列为 24 个机罩。一个包括 24 个机罩盒子的重量进为 1680 磅，大型阵列架的重量为 83 磅。小型阵列架最多支持 8 个机罩，系统重量为 420 磅，架子重 33 磅。装配硬件不能将机罩翻转安装。

WideLine 装配系统经过工程处理，在大型阵列架上装有 24 个机罩和小型阵列架装有 8 个机罩的情况下可以达到至少 5:1 的工业标准强度比。Palos Verdes Engineering 认证了机械计算，ATM Fly-ware 也进行了破坏性试验。

WideLine 机罩使用三点悬挂系统。系统包括前、左 / 右俘获式铰接接头以及一个单后线接片。使用连接块上的首个位置，清晰度以 2° 的幅度递增。使用第二个位置，可以从 3° 开始按 1° 的幅度递增。全部的可用角度递增为 0、2、3、4、5、6、7、8、9 和 10°。所有的部件和锁定引脚都在机罩内。从 WideLine 栅格悬挂机罩无需其它辅件。球形闸销都配有系索以防丢失。

前铰接接头（铰链连接）硬件

找到铰接接头上从接收管前端露出的固定螺丝将其向上抽出，露出接头的一端。前俘获接头将从机罩接收管向上滑出。

现在就可将铰接接头露出的一端插入相邻的机罩接收管中，然后用锁销将其锁定。对机罩的各侧重复此步骤。然后可将后线接片旋转到位，并在所选的增量角度上将其锁定到位。

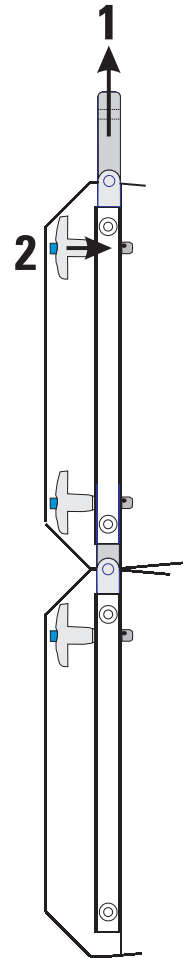
后线（角度调整）硬件

后线上有折叠在接线盒两侧间的接线。要想露出接线，去掉球形闸销并将接线旋转到的位置。到位后，用相邻机罩的球形闸销将接线固定。

后线在“正常”（0°）位置上标有一条白色细线，在 +3° 位置标有一个“+3”。

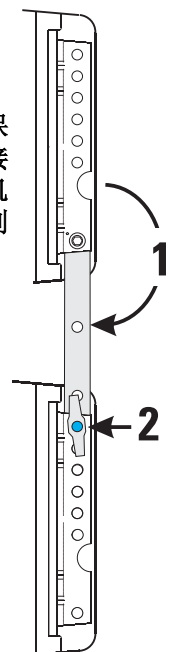
还有一个球形闸销孔（位于接线中间附近）以便将接线折叠到机罩盒中进行保存。旋转到保存位置后，接线可以接到盒子上的 0° 或 8° 位置锁定。

前铰接接头一向上滑动固定螺丝从而将接头滑出接收管，然后用球形闸销将其锁定到位。



CH

后线—将球形闸销从保存位置移开，然后将接线向下旋转到邻近的机罩。用球形闸销锁定到位。



调整机罩间的角度（外张）

此图为由上机罩后接线臂连接的两个机罩的后销模块。

使用接线臂上的首个销子位置（最靠近末端的那个）进行标准的 2° 递增。左侧例子显示的是两个 8° 外张角连接的机罩。球形闸销插入到后盒的 8° 位置，同时穿过接线的“正常”销孔。

如果使用“+3”位置，则“标准”位置要增加 3°。右侧例子显示的是两个 9° 外张角连接的机罩。球形闸销插入到后盒的 6° 位置，同时穿过接线的“+3°”销孔。总外张角为盒上显示的 6°，加上接线位置增加的 3°，共计 9°。按照这种方式，可以从 3° 开始按 1° 递增（盒位置 0° 以及接线臂位置 +3°）。

阵列架（悬挂栅格）

WideLine 系统有两个阵列架。

大的用于悬挂典型的 4-24 个阵列。大栅格可以翻转和用于堆放 12 个或更多个机罩。

对于小阵列（4 个或 4 个以下，堆积或悬挂栅格），有一个小型的更易操作的架。此栅格可以方便地座在堆放低音机罩的架子上，或者可以用在小型活动场合从舞台支架悬空架置群组。

大阵列架（悬空栅格）

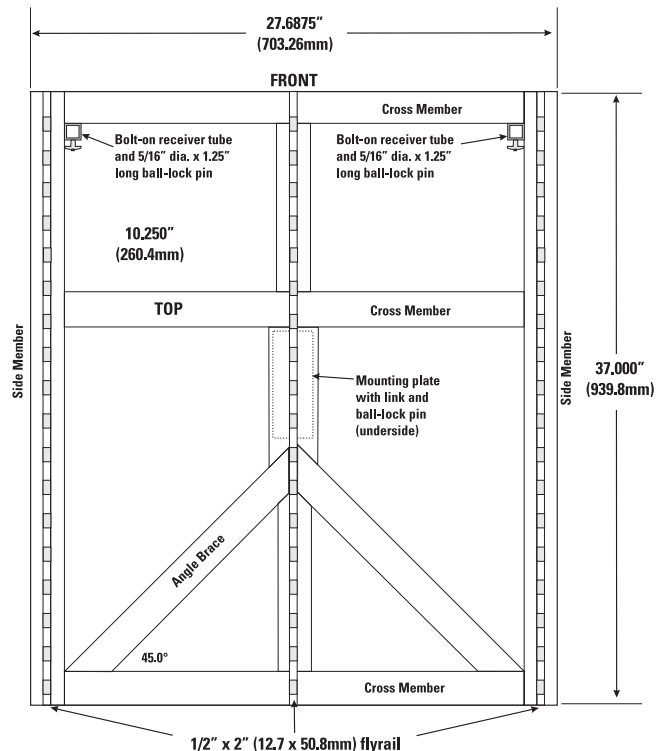
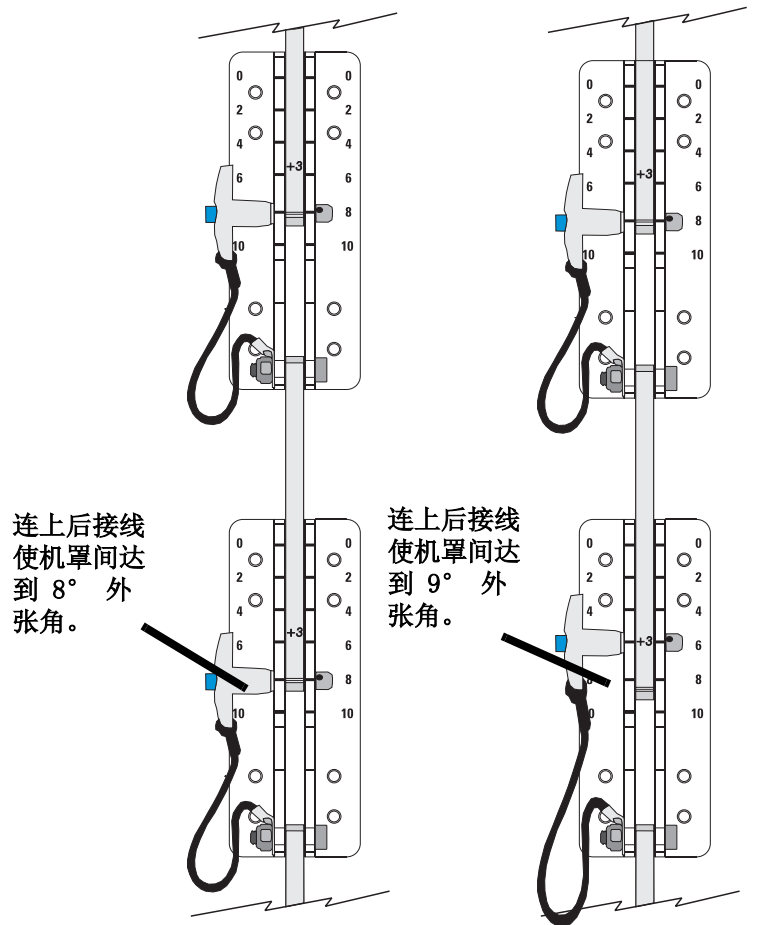
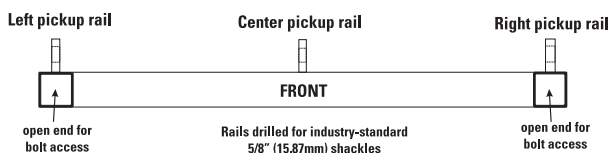


不要从大阵列架上悬挂（悬吊）超过 24 个机罩。

不要在大阵列架上堆放超过 12 个机罩。

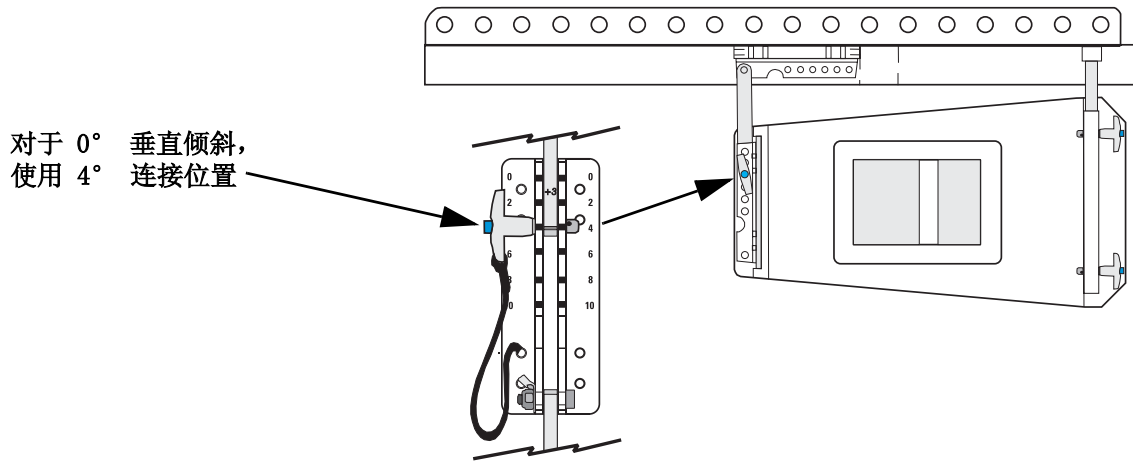
在前接收管上只可使用 5/16"（直径）× 1.25"（长度）的球形闸销。

对于要求较高的场所，配有三个对接杆，可容纳任意多个装配解决方案。杆上钻有符合工业标准的 5/8" 钩套。



大阵列架（续）

安装盘和接线位于架子总成的底部。使用此接线连接首个机罩的后部。对于堆放或悬挂使用，通过栅格可以选择上或下角。连接系统上的 4° “正常” 位置将产生净 0° 的垂直倾斜。



小阵列架（堆放栅格）

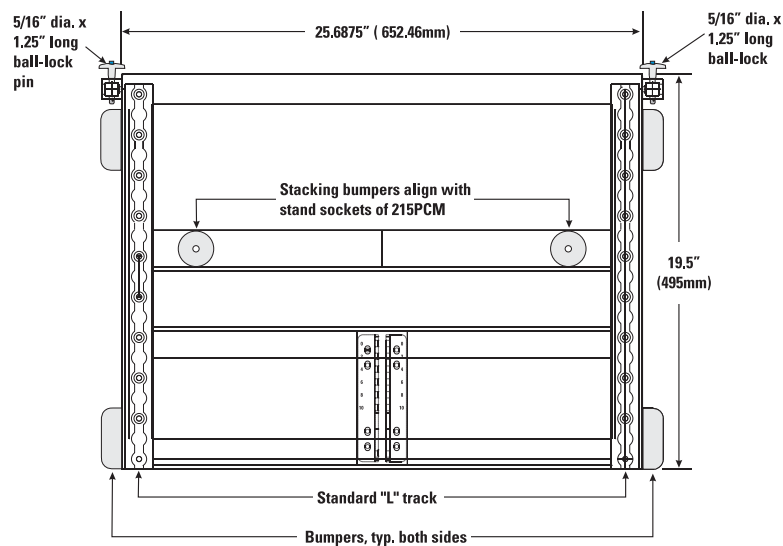


不要从小阵列架悬挂（悬吊）超过 8 个机罩。

不要在小阵列架上堆放超过 4 个机罩。

在前接收管上只可使用 5/16"（直径）× 1.25"（长度）的球形闸销。

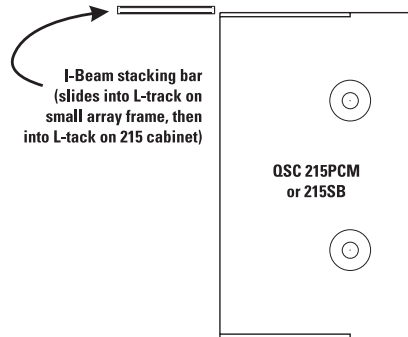
小架容易操作四机罩，和 QSC 215PCM 或 215SB 超低音扬声器通过堆放或悬挂配置连接。可能需要使用架子上的堆放缓冲器以便将其移动到架子的对面一侧以供使用。小架使用标准的 “L” 轨道进行装配。



堆放小型阵列架

小阵列架有两个铝质工形块用于将架子对齐并固定到 QSC 的 “215” 超低音扬声器上。

要使用工形块，只需将其滑入小架的 L 轨道中并用柱头螺栓装置固定即可。然后将架子翻过来（工形块在底部），并将露出的工形块滑入超低音扬声器的 L 轨道中。用柱头螺栓装置将工形块固定。注意：不要求所用的柱头螺栓装置为额定负载配件，这是因为它们只用来将工形块固定防止横向移动。



如果在 QSC 215SB 或 PCM 箱上堆放小型阵列架，使用工字梁插件（每个 L 形轨道一个）确保已经对齐，然后将架子牢牢地固定到 215 箱上。使用柱头螺栓装置固定。

不要在小阵列架上堆放超过 4 个机罩。

CH

维护

WideLine 产品上使用的内六角螺钉为额定负载的高强度钢，而非不锈钢所制。不锈钢螺丝不能承载必须的负载。如果要更换硬件，请联系 QSC 的技术服务部门索要备件。

装配硬件为镀有黑色氧化层的不锈钢。氧化镀层并不具有防腐蚀性。

建议每次进行外部短期表演之前和之后都要使用 LPS[®] Dry Film Lube（干膜润滑油）或 Starrett M1[®] All Purpose Lube（万用润滑油）擦拭所有螺丝、销钉、硬件和架子，以防氧化。这样做不仅会防止生锈和氧化，而且可以润滑，延长 WideLine 产品的使用寿命，更加便于使用。

初始系统规格（如有改变恕不另行通知）

配置:	三向、双功放（双向有源）或三功放（全幅三向有源）
频率响应:	52Hz - 18KHz (+/- 3dB)
灵敏度:	双功放: 97dB (2.83v @ 1m) 三功放: 99dB (2.83v @ 1m)
标称覆盖范围:	水平: 140deg. 垂直: 根据使用的元件数量
标称阻抗:	双功放模式低频为 8 欧姆, 三功放模式低频为 16 欧姆。 16 ohms, 高频
换频器:	
低频:	双 10" (254mm) 长偏移, 高功率, 3" (76mm) 音圈, 16 欧姆, 各 380 瓦 rms
高频:	3.0" (76mm) 振膜, 1.4" (36mm) 出口, 16 欧姆钹压缩驱动器, 在独家所有的导波管 (专利申请中), 80 瓦 rms
推荐放大器功率:	300 瓦高频 700 瓦中频三功放模式 700 瓦低频三功放模式 双功放模式中 1400 瓦低 / 中频

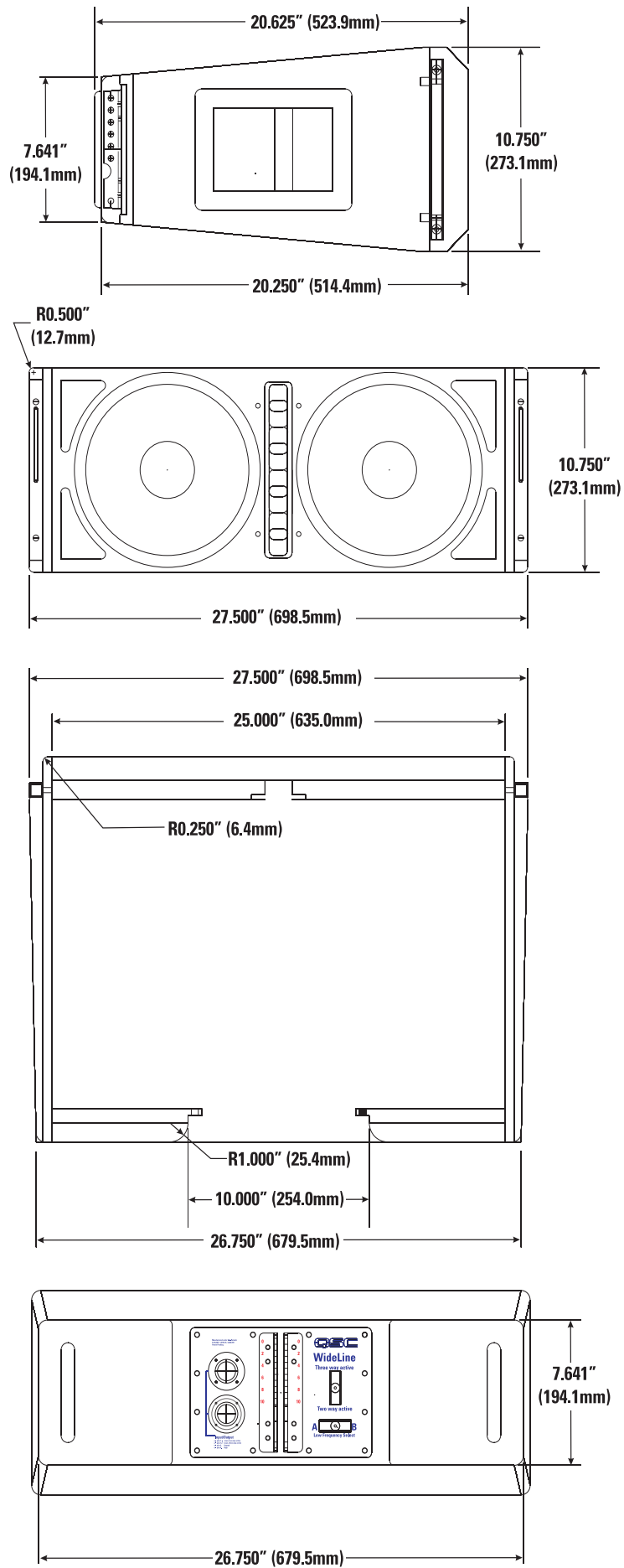
机罩:

型号:	低音反射（倒相板），梯形
材料:	夹芯复合层压板
表面:	黑色或白色斑纹漆
栅格:	粉末镀层钢
接头:	两个 Neutrik NL8
附着点:	自备装配配置。各前接收管 在系索上都有一个俘获铰接头（铰接连接）和两个球形闸销。后 安装盒在系索上有内置安装线和一个球形闸销。
重量:	70 磅, 31.8kg
尺寸:	10.75" H x 27.5"W x 20.25"D 27.3cm H x 69.85cm W x 51.43cm D

附件

阵列架:	小型阵列架 - 对于悬挂（悬吊）最多 8 个机罩； 如果堆放在 I-215 分线箱上（堆放应用），最多 4 个机罩。 架子重 33 磅 /15.0kg 大型阵列架 - 对于悬空（悬吊）应用，最多 24 个机罩； 对于堆放，最多 12 个机罩。 架子重 84 磅 /38.1kg
软件	已有轻松聚焦（EASE Focus）线性阵列建模软件工具；访问 www.qscaudio.com 或联系 QSC 技术服务部门了解 QSCControl.net 和信号管理器的 DSP 文件。
球形闸销	5/16"（直径）x 0.75"（长度），丁字把手: p-n SR000052-00 5/16"（直径）x 1.25"（长度），按钮把手: p-n SR000081-00

尺寸



CH

联系 QSC Audio Products

通信地址:

QSC Audio Products, Inc.
1675 MacArthur Boulevard
Costa Mesa, CA 92626-1468 USA

电话:

主要号码 (714) 754-6175
销售和市场营销部门 (714) 957-7100, 或免费电话 (仅限美国国内) (800) 854-4079
客服 (714) 957-7150, 或免费电话 (仅限美国国内) (800) 772-2834

传真:

销售与市场营销部门传真 (714) 754-6174
客服传真 (714) 754-6173

网址:

www.qscaudio.com

电子邮件:

info@qscaudio.com
service@qscaudio.com

质量保证免责声明 (仅限美国; 其他国家, 请联系您的经销商或分销商)

QSC Audio Products, Inc. 对于因疏忽或不正确的安装和 (或) 使用本信号处理产品而对放大器、扬声器或任何其他设备造成的损坏不承担任何责任。QSC 致力于开发和制造最可靠和最稳定的“网络”音频产品供您使用。由于实施过程中可能遇到的网络状况和设备千变万化, QSC 对于网络冲突及其导致的相关结果不承担责任。基于此原因, QSC 强烈推荐执行 QSCControl 产品时所使用的网络应与所有其他网络、数据等完全分开。同样, 如果您选择将 QSCControl 产品集成到已有的网络系统中, 则由此产生的风险将由您来承担。QSC 努力为网络音频产品提供最高的品质技术解决方案, 但 QSC 或其供货商对于任何损坏、间接损失、意外事故等, 包括任何因试图将 QSCControl 产品集成到您的网络系统而导致的利润和 / 或存款损失而提出的索赔, 概不承担任何责任。QSC 的任何代理商、员工或代表均无权以任何方式对本手册中公开和推荐的内容进行改动或修改。

QSC Audio Products 3 年有限质保协议

QSC Audio Products, Inc. (“QSC”) 担保其产品自销售之日起三年内不会发生材料或制造工艺缺陷; 若在正常安装和使用条件下发生的损坏, QSC 将按照本质保协议更换有缺陷的零件和维修故障产品 - 但您要将产品送回我们的工厂或任一授权维修点, 预付运费并附带购买证明 (即销售收据) 复印件。此质保协议规定, 退回的产品必须经我们检查断定存在制造缺陷。本质保不适用于任何因误用、疏忽、意外、不正确安装, 或日期编码被去掉或破损的产品。QSC 不对意外和 / 或间接发生的损害承担责任。此质保赋予您特定的法律权力。此有限质保在保证期内可自由转让。

在不同的州, 顾客可能会有其他权利。

此有限质保不适用于为出口或不在美国销售而生产的产品。产品上缺少序列号, 或者从非授权销售商处购买此产品, 将失去此有限质保。

此质保协议会定期更新。请浏览: www.qscaudio.com, 获得最新版本的 QSC 质保协议声明。

联系我们: 800-854-4079, 或访问我们的网站: www.qscaudio.com。



QSC Audio Products, Inc. 1675 MacArthur Boulevard Costa Mesa, California 92626 USA
© 2005 “QSC” 和 QSC 标志已在美国专利和商标局注册。

How to Contact QSC Audio Products

Mailing address:

QSC Audio Products, Inc.
1675 MacArthur Boulevard
Costa Mesa, CA 92626-1468 USA

Telephone Numbers:

Main Number (714) 754-6175
Sales & Marketing (714) 957-7100 or toll free (USA only) (800) 854-4079
Customer Service (714) 957-7150 or toll free (USA only) (800) 772-2834

Facsimile Numbers:

Sales & Marketing FAX (714) 754-6174
Customer Service FAX (714) 754-6173

World Wide Web:

www.qscaudio.com

E-mail:

info@qscaudio.com
service@qscaudio.com

Warranty Disclaimer (USA only; other countries, see your dealer or distributor)

QSC Audio Products, Inc. is not liable for any damage to amplifiers, loudspeakers, or any other equipment that is caused by negligence or improper installation and/or use of this signal processing product. While QSC has endeavored to develop and produce the most dependable and robust 'network' audio product for your use, due to the myriad of network situations and equipment that may be encountered in its implementation, QSC cannot be held responsible for network conflicts and associated consequences that may result. For this reason, QSC strongly recommends that the network used for implementation of QSCControl products be completely separate from all other networks, data or otherwise. As such, should you elect to integrate QSCControl products with your existing network system, all risks attendant to such integration of QSCControl products with your existing network or network systems are assumed by you. While QSC strives to provide the highest quality technical solutions for networked audio products, in no event will QSC or its suppliers be held liable for any damages, consequential, incidental or otherwise, including any claims for lost profits and/or savings resulting from any attempted integration of QSCControl products with your networking systems. No agent, employee or representative of QSC has any authority to alter or modify in any manner, the disclosures and recommendations set forth herein.

QSC Audio Products 3 Year Limited Warranty

QSC Audio Products, Inc. ("QSC") guarantees its products to be free from defective material and / or workmanship for a period of three (3) years from date of sale, and will replace defective parts and repair malfunctioning products under this warranty when the defect occurs under normal installation and use - provided the unit is returned to our factory or one of our authorized service stations via pre-paid transportation with a copy of proof of purchase (i.e., sales receipt). This warranty provides that the examination of the return product must indicate, in our judgment, a manufacturing defect. This warranty does not extend to any product which has been subjected to misuse, neglect, accident, improper installation, or where the date code has been removed or defaced. QSC shall not be liable for incidental and/or consequential damages. This warranty gives you specific legal rights. This limited warranty is freely transferable during the term of the warranty period.

Customer may have additional rights, which vary from state to state.

In the event that this product was manufactured for export and sale outside of the United States or its territories, then this limited warranty shall not apply. Removal of the serial number on this product, or purchase of this product from an unauthorized dealer, will void this limited warranty.

Periodically, this warranty is updated. To obtain the most recent version of QSC's warranty statement, please visit www.qscaudio.com.

Contact us at 800-854-4079 or visit our website at www.qscaudio.com.



QSC Audio Products, Inc. 1675 MacArthur Boulevard Costa Mesa, California 92626 USA
©2005 "QSC" and the QSC logo are registered with the U.S. Patent and Trademark Office.

Free Manuals Download Website

<http://myh66.com>

<http://usermanuals.us>

<http://www.somanuals.com>

<http://www.4manuals.cc>

<http://www.manual-lib.com>

<http://www.404manual.com>

<http://www.luxmanual.com>

<http://aubethermostatmanual.com>

Golf course search by state

<http://golfingnear.com>

Email search by domain

<http://emailbydomain.com>

Auto manuals search

<http://auto.somanuals.com>

TV manuals search

<http://tv.somanuals.com>