



Scorpion 240 DDS-4 Autoloader

Installation Manual

- Section A: English
- Section B: Français
- Section B: Deutsch
- Section D: Español
- Section E: 日本語



Part Number 100135972
November 2000



Scorpion 240 DDS-4 Autoloader Installation Manual

Section A: English

Section B: Français

Section C: Deutsch

Section D: Español

Section E: 日本語

Scorpion 240 DDS-4 Autoloader Installation Manual

Section A
English

SCORPION

© 2000 Seagate Removable Storage Solutions, LLC. All rights reserved

Part Number 100135972

Seagate and the Seagate logo are registered trademarks of Seagate Technology, LLC. Scorpion 240 and the Scorpion logo are either trademarks or registered trademarks of Seagate Removable Storage Solutions LLC. Other product names are registered trademarks or trademarks of their owners.

Seagate reserves the right to change, without notice, product offerings or specifications. No part of this publication may be reproduced in any form without written permission from Seagate Removable Storage Solutions.

Publication Number: 10007066-003, November 13, 2000

Contents

Contents	A-3
FCC notice	A-5
Introduction	A-7
About this user's guide	A-7
About the Scorpion 240 autoloader	A-7
Before you begin	A-9
Precautions	A-9
Unpacking and inspection	A-9
Installing the internal autoloader	A-10
Configuring the internal autoloader	A-10
Mounting the internal autoloader	A-15
Connecting the SCSI interface cable	A-16
Connecting a power cable	A-17
Installing the external autoloader	A-18
Configuring the external Scorpion 240	A-18
Connecting the power cord	A-20
Operation and maintenance	A-21
Starting the autoloader	A-21
Using cartridges and magazines	A-22
About the front-panel buttons	A-26
About the front-panel LEDs	A-27
About the front-panel LCD display	A-30
Cleaning the tape drive	A-34
DDS-4 cartridge information	A-37
Preparation for shipping	A-38
Configuration for UNIX, Novell, and Windows NT operating systems	A-40
Operating-system configuration dip switches	A-40
Configuration for the Windows NT environment	A-41
Configuration for Novell environments	A-41
Configuration for the DEC UNIX environment	A-43
Configuration for the Sun UNIX environment	A-45

Configuration for the SGI environment	A-47
Configuration for the HP-UX environment	A-51
Configuration for the IBM AIX environment	A-52
Configuration for SCO UNIX	A-53
Configuration for LINUX	A-53
Summary of drive specifications	A-54
Support services	A-56

FCC notice

This equipment generates and uses radio frequency energy and, if not installed and used in strict accordance with the manufacturer's instructions, may cause interference to radio and television reception, which could void the user's authority to operate the equipment. It has been tested and found to comply with the limits for a Class B digital device pursuant to Part 15 of FCC Rules, which are designed to provide reasonable protection against such interference in a residential installation. However, there is no guarantee that interference will not occur in a particular installation. If interference does occur, try to correct it by taking one or more of the following measures:

- Reorient or relocate the receiving antenna.
- Increase the separation between the computer and the receiver.
- Connect the computer into an outlet on a circuit different from that to which the receiver is connected.
- Consult the dealer or an experienced radio/television technician for help.

You may find the following booklet prepared by the Federal Communications Commission helpful: *How to Identify and Resolve Radio-TV Interference Problems*. This booklet (Stock No. 004-000-00345-4) is available from the U.S. Government Printing Office, Washington, DC 20402.

This equipment complies with the limits for Class B digital apparatus in accordance with Canadian Radio Interference Regulations.

Cet appareil numérique de la classe B est conforme au Règlement sur brouillage radioélectrique, C. R. C., ch. 1374.

Introduction

About this user's guide

This user's guide contains information on installing and operating the Scorpion 240 DDS-4 autoloader.

About the Scorpion 240 autoloader

The Seagate internal Autoloader is a fully integrated, intelligent, multicartridge tape system that supports the DDS (Digital Data Storage), DDS-1, DDS-2, DDS-3, and DDS-4 tape formats. It includes a magazine that can accommodate up to six tape cartridges.

The internal autoloader (STD42401LW) is designed to be installed inside a computer, in a 5.25-inch, full-height drive bay. The external autoloader (STD62401LW) is a standalone subsystem that connects to a host system using a 68-pin shielded SCSI cable.

Note: The Scorpion 240 will not work in a SCSI-1 environment.

The Scorpion 240 autoloader combines established DDS technology, high density recording and hardware data-compression capability, and Seagate's proven computer-grade DDS tape drive to provide unmatched reliability and performance.

Drive applications

The Scorpion 240 autoloader is ideal for server and network/enterprise applications, including:

- Backup of high-capacity disc drives or disc arrays
- Automated storage management
- On-line, unattended data collection
- Near-line secondary storage for text, graphics or multimedia data of all types
- Archival storage.

Scorpion 240 capacity and data-transfer rates

The Scorpion 240 provides the following capacities and sustained data-transfer rates, depending upon the type and length of tape media used. These capacities and data-transfer rates are based on a 2:1 data compression. Uncompressed capacities are one half these values.

Tape format:	DDS	DDS-2	DDS-3	DDS-4
Tape length (m)	90	120	125	150
Single-cartridge capacity (Gbytes)	4.0	8.0	24.0	40.0
Six-cartridge magazine capacity (Gbytes)	24.0	48.0	144.0	240.0
Sustained Data-transfer Rate (Mbyte/sec)	1.83	1.83	5.5	5.5

Note. 60-meter DDS tape cannot be used with this drive.

Before you begin

Precautions

Caution. Observe the following precautions to avoid electrostatic damage to the internal autoloader.

- Do not remove the drive from the antistatic bag until you are ready to install it.
- Before you remove the drive from the antistatic bag, touch a grounded metal surface to discharge any static electricity buildup from your body.
- Hold the drive only by its edges and avoid direct contact with any electronic components.
- If you need to put down the drive, lay it on top of the antistatic bag or place it inside the bag.

Unpacking and inspection

Although Seagate autoloaders are inspected and carefully packaged at the factory, damage may occur during shipping. Follow these steps for unpacking the autoloader.

1. Inspect the shipping container. Notify your shipper immediately if you find any damage.
2. Place the shipping container on a flat, clean, stable surface. Then carefully remove the contents and verify the packing list. If parts are missing or the equipment is damaged notify your Seagate representative.
3. Save the drive container and packing materials in case you ever need to ship the drive.

Installing the internal autoloader

This chapter describes how to configure, mount, and attach cables to the *internal* Scorpion 240 autoloader.

Configuring the internal autoloader

Before you install the internal version of the Scorpion 240 in your computer, you may need to configure the drive to work with your system.

Default settings

The default settings for the internal drive are listed below:

- The drive is set for SCSI ID 6.
- Parity checking is enabled.
- SCSI terminator power is disabled.
- Data compression is enabled.
- Power-on self-test diagnostics are enabled.
- MRS checking is enabled (the drive will not write to non-MRS tapes).

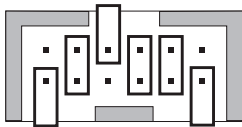
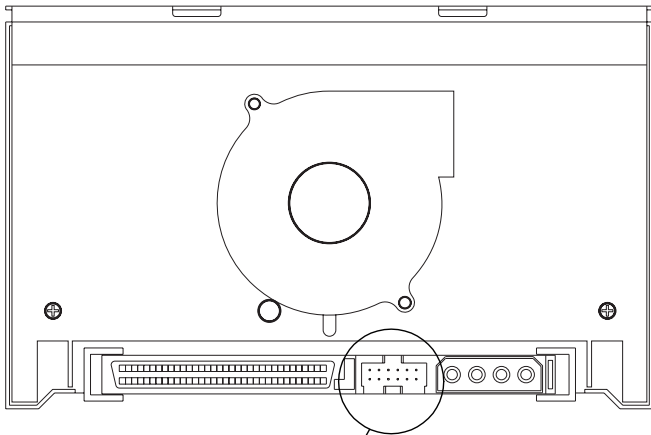
If these default settings are appropriate for your computer system, then continue to “Mounting the internal autoloader” on page A-15.

Changing jumper settings

To change the SCSI ID, parity checking, or termination power, use the jumpers on the back of the drive, as shown in Figure 1 on the following page.

Note. Power down the drive before changing jumpers or dip switches. Changes take effect when the drive restarts.

Figure 1. Jumper pins on the back of the Scorpion 240



Default jumper settings shown
(SCSI ID 6, parity checking enabled,
and termination power disabled)

- | Pins: | Function: |
|-------|-------------------|
| 1-2 | SCSI ID bit 0 |
| 3-4 | SCSI ID bit 1 |
| 5-6 | SCSI ID bit 2 |
| 7-8 | SCSI ID bit 3 |
| 9-10 | Parity checking |
| 11-12 | Termination Power |

SCSI ID=0	■ ■ ■ ■ ■ ■
SCSI ID=1	■ ■ ■ ■ ■ ■
SCSI ID=2	■ ■ ■ ■ ■ ■
SCSI ID=3	■ ■ ■ ■ ■ ■
SCSI ID=4	■ ■ ■ ■ ■ ■
SCSI ID=5	■ ■ ■ ■ ■ ■
SCSI ID=6	■ ■ ■ ■ ■ ■
SCSI ID=7	■ ■ ■ ■ ■ ■

SCSI ID=8	■ ■ ■ ■ ■ ■
SCSI ID=9	■ ■ ■ ■ ■ ■
SCSI ID=10	■ ■ ■ ■ ■ ■
SCSI ID=11	■ ■ ■ ■ ■ ■
SCSI ID=12	■ ■ ■ ■ ■ ■
SCSI ID=13	■ ■ ■ ■ ■ ■
SCSI ID=14	■ ■ ■ ■ ■ ■
SCSI ID=15	■ ■ ■ ■ ■ ■
Parity enable	■ ■ ■ ■ ■ ■
Term. power	■ ■ ■ ■ ■ ■

SCSI Address Selection (pins 1 through 8)

Each SCSI device on a SCSI bus must have a unique SCSI ID. The SCSI controller or host adapter generally uses ID 7. In some systems, the boot drive uses ID 0 or ID 1.

You can select an appropriate SCSI address used by the drive by placing the appropriate jumpers on pins pairs 1-2 through 7-8, as shown in Figure 1.

Note: SCSI ID numbers 8 through 15 will only be recognized if dip switch 9 is "ON." See page A-14 for details.

Parity checking (pins 9 and 10)

If a jumper is installed on pins 9 and 10, parity checking is enabled. If no jumper is installed, parity checking is disabled, but parity is still generated by the drive.

Terminator power (pins 11 and 12)

If a jumper is installed on pins 11 and 12, terminator power is enabled.

Note: The internal Scorpion 240 does *not* provide SCSI termination, and therefore should not be installed as the last device in a SCSI chain. See "SCSI termination" on page A-16 for more information.

If the terminator power jumper is installed, be careful not to short the TERMPWR signal to ground. In the event of a short, terminator power to the bus will be interrupted. After the short is removed, a fuse in the drive will automatically reset, restoring terminator power.

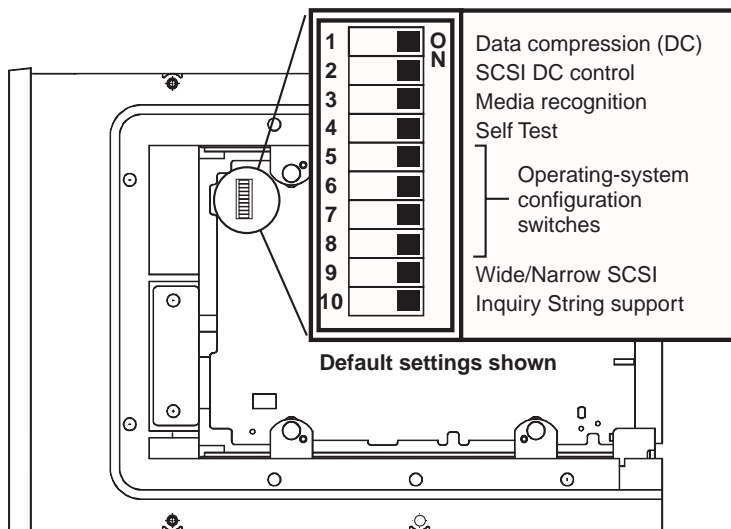
Changing dip-switch settings

To change data compression, MRS checking, power-on self-test diagnostics, operating system settings, Wide/Narrow SCSI selection, or the drive's inquiry string, you must use the dip switches on the underside of the internal drive.

Figure 2 shows the location of dip switches on the *underside* of the internal Scorpion 240. Each of these switches is described in detail on subsequent pages.

Note. Power down the drive before changing jumpers or dip switches. Changes take effect when the drive restarts.

Figure 2. Dip-switch settings for internal Scorpion 240



Data compression (switches 1 and 2)

If switch 1 is ON (the default setting), hardware data compression is enabled when the drive is powered on. If switch 1 is OFF, hardware data compression is disabled at power-on.

If dip switch 2 is ON (the default setting) then SCSI commands can be used to enable or disable hardware data compression. To prevent hardware data compression from being enabled or disabled by SCSI commands, set dip switch 2 to OFF.

Media-recognition system (switch 3)

The media-recognition system allows the drive to determine whether a given tape cartridge conforms to the DDS tape standard. Use of non-DDS media may appear to give

satisfactory results, but the inferior specifications of such media can cause data-integrity problems.

Switch 3 enables or disables the media-recognition system (MRS). If switch 3 is ON (the default setting), the drive reads and writes to MRS media and reads from but does not write to non-MRS media. If switch 3 is OFF, the drive reads or writes both MRS and non-MRS media.

Power-on self-test enable/disable (switch 4)

Switch 4 enables or disables execution of power-on self-test diagnostics when the drive is powered on. If switch 4 is ON (the default setting), the drive performs a power-on self test. If switch 4 is OFF, the drive does not perform a power-on self test.

Operating System configuration (switches 5 through 8)

Switches 5 through 8 are used to configure the drive for use with UNIX, Novell, and Windows NT operating systems. These procedures are described starting on page A-40. The default setting for all four of these switches is ON.

SCSI Wide/Narrow (switch 9)

Switch 9 enables or disables SCSI Wide operation on the SCSI bus. When switch 9 is ON (the default setting), the drive is capable of operating in Wide (16-bit) SCSI mode. When switch 9 is OFF, the drive will only operate as a Narrow (8-bit) SCSI device.

Note: If switch 9 is set to OFF, the drive can only use SCSI ID values 0 through 7.

Inquiry String (switch 10)

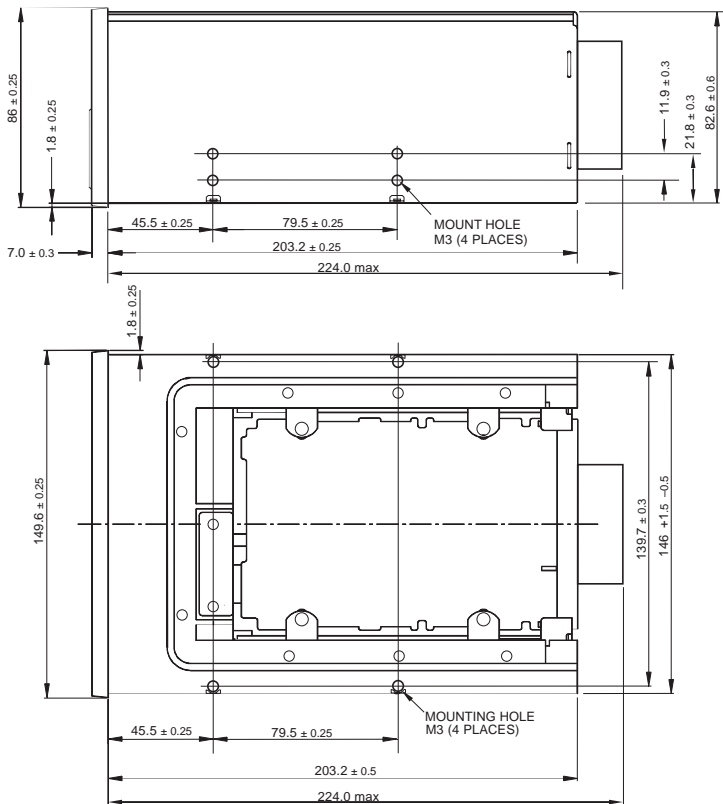
Switch 10 is used to select the Vendor ID that the drive returns when queried with a SCSI Inquiry command. When switch 10 is ON (the default setting), the Vendor ID will be "SEAGATE DAT." When switch 10 is OFF the Vendor ID will be "ARCHIVE Python." The "ARCHIVE Python" Vendor ID may be used by independent software vendors to provide software compatibility with previous Seagate DDS tape drives.

Mounting the internal autoloader

The Scorpion 240 must be mounted horizontally in a 5.25-inch, full-height drive bay. Mount the drive using four M3.0 metric screws on the sides or bottom of the drive, as shown in Figure 3. Do not use screws longer than 4 mm or you may damage the drive.

Note. When mounting the drive, make sure that nothing blocks the exhaust fan or the ventilation slots on the bottom and rear of the autoloader.

Figure 3. Locations of mounting holes



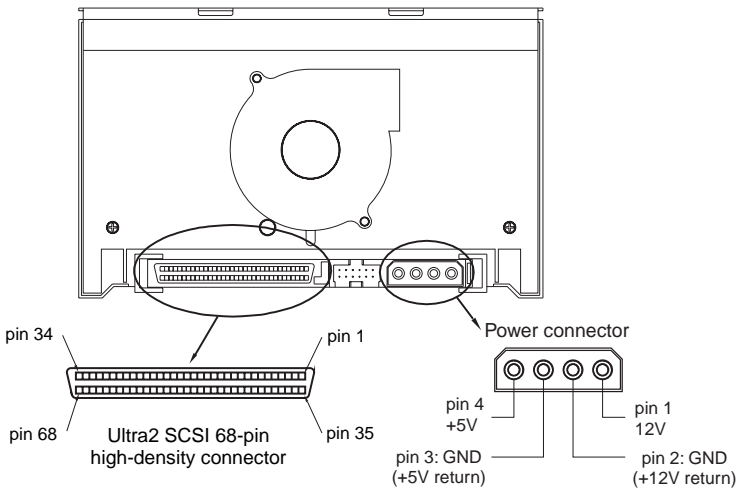
Connecting the SCSI interface cable

Turn off all power to your computer and drive. Then connect a 68-pin wide internal SCSI cable from your SCSI controller to the SCSI connector on the back of the autoloader. Make sure that pin 1 on the SCSI controller and cable is connected to pin 1 on the drive. Figure 4 shows the location of SCSI pin 1 on the drive's SCSI connector. Pin 1 on the SCSI cable should be indicated by a colored stripe.

Scorpion 240 drives can be used with two different types of SCSI interfaces: Ultra2 SCSI (LVD) or "Wide" (16-bit) single-ended SCSI. The drive can automatically detect whether it is connected to an LVD or single-ended wide SCSI bus.

Note: The Scorpion 240 will not operate properly in a SCSI-1 environment.

Figure 4. Interface connectors on internal Scorpion 240

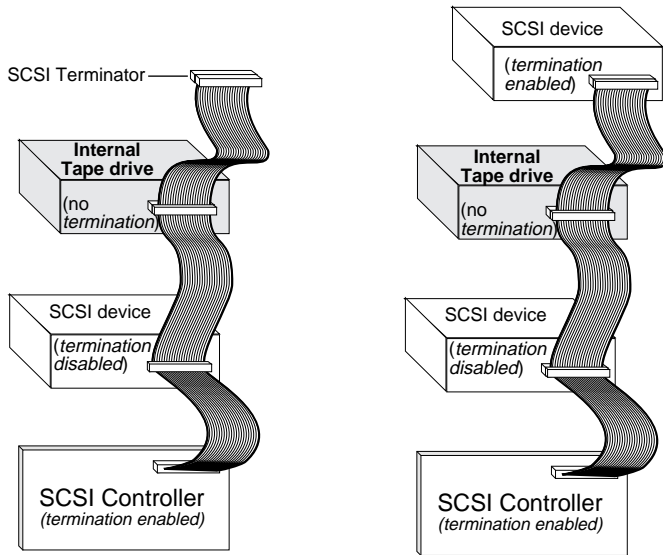


SCSI Termination

The internal Scorpion 240 does *not* provide SCSI termination. For this reason, it should not be the last device on a SCSI chain. Two termination examples are shown in Figure 5 on the following page. If the drive is the only SCSI device, attach the drive to the connector which is next to last on the SCSI

chain and attach an LVD/single-ended multi-mode terminator to the last connector in the chain.

Figure 5. Two SCSI termination examples for the internal Scorpion 240.



Connecting a power cable

Attach a 5/12-volt, four-pin power cable to the power connector on the back of the drive. Figure 4 on the previous page shows the location of the power connector.

The recommended 4-pin power connector for the internal drive is an AMP 1-48024-0 housing with AMP 60617-1 pins or equivalent.

Installing the external autoloader

The external Scorpion 240 is a compact external drive that connects to the host computer as a turnkey subsystem. Installing the external drive involves three simple steps:

1. Configuring the drive
2. Connecting the SCSI interface cable
3. Connecting the power cord

Configuring the external Scorpion 240

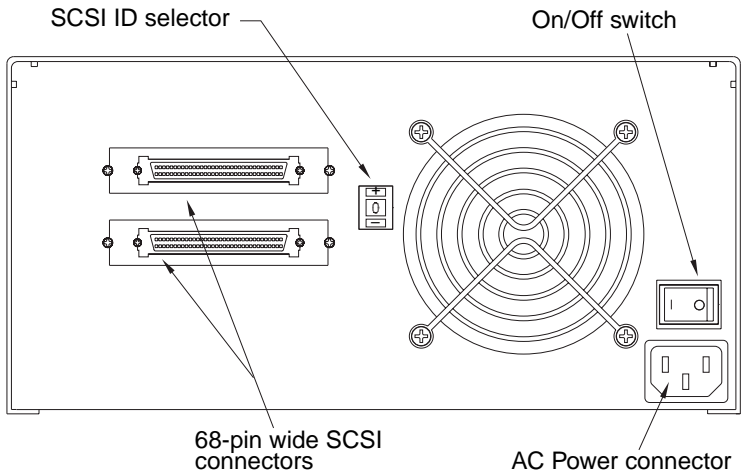
The following is the default configuration for the external Scorpion 240:

- **SCSI ID:** 6
- **Media Recognition System (MRS) checking:** enabled.
- **Parity checking:** enabled.
- **Data compression:** enabled.
- **Power-on self-test diagnostics:** enabled.
- **Host operating system:** Windows 95/98/NT/2000
- **Termination power:** supplied to the SCSI bus.

Setting the SCSI ID

Make sure that the drive is turned off; then set the SCSI ID for the drive using the push-button switch on the back of the external drive. Figure 6 on the following page shows this switch, as well as the two SCSI interface connectors, on/off switch, and the power-cord connector.

Note: The drive must be restarted for any change in SCSI ID to take effect.

Figure 6. Rear panel of external Scorpion 240

Connecting the SCSI interface cable

The Scorpion 240 provides two 68-pin, shielded connectors on the rear panel of the enclosure. Either connector can be used as a SCSI IN or SCSI OUT connection (you can use either connector to attach the drive to the host computer or to another SCSI device).

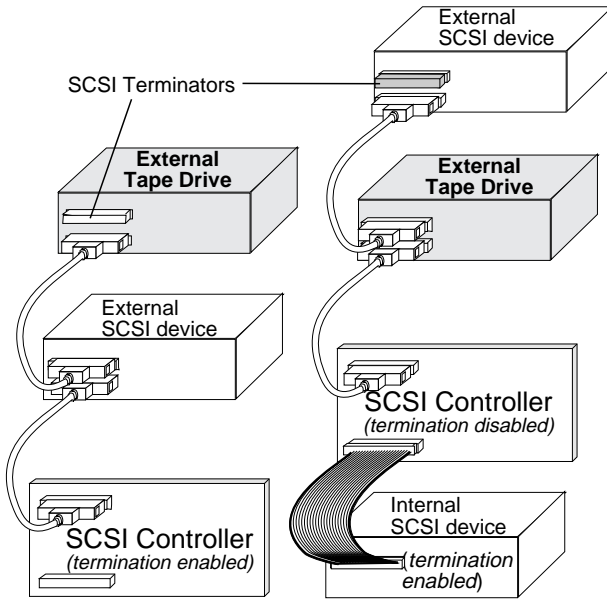
Turn off your computer and all SCSI devices. Then attach a SCSI cable from the host adapter or from another (unterminated) SCSI device to the Scorpion 240

Note: The Scorpion 240 will not work in a SCSI-1 environment.

SCSI termination

If the Scorpion 240 is the last device or the only device in a SCSI chain, you must install a terminating plug on the unused SCSI connector. See Figure 7 on the following page for two SCSI termination examples. You can purchase a terminator for the Scorpion 240 (part number 10006525-001) on the web at <http://buytape.seagate.com>.

Figure 7. SCSI termination examples for external Scorpion 240



Example 1: SCSI termination in a system that has only external SCSI devices.

Example 2: SCSI termination in a system that has both internal and external SCSI devices.

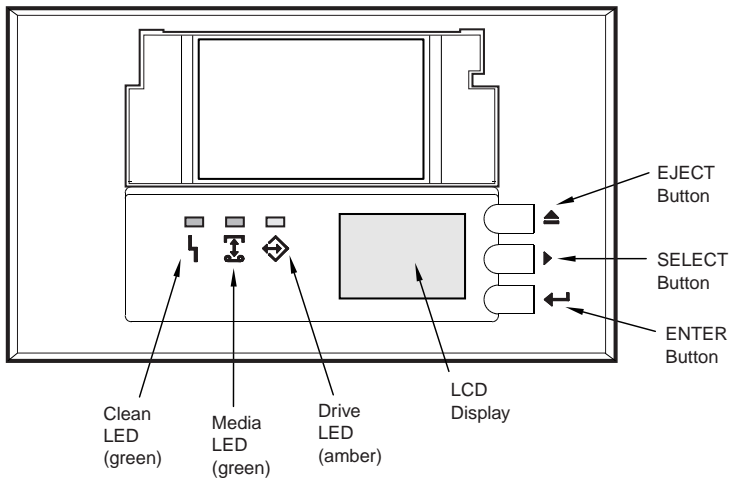
Connecting the power cord

Attach the power cord securely to the power connector on the back of the drive. The location of the power connector on the external drive is shown in Figure 6 on page A-19.

Operation and maintenance

This section describes how to use your Scorpion 240 autoloader and DDS-4 cartridges. It also explains how to interpret the LEDs and the display on the front of the drive, which are shown in Figure 8.

Figure 8. Front view of internal Scorpion 240 autoloader (external drive is similar)



Starting the autoloader

Turn on all SCSI devices attached to your computer before you turn on the computer. When the autoloader is first started, the following events should occur:

1. The Clean, Media, and Drive LEDs light up for two seconds, then start flashing.
2. The LCD display shows the current SCSI ID, followed by the message, "WAITING SELFTEST."
3. If a magazine is loaded, the LCD display shows the message "SCAN X" while the drive determines which slots in the magazine contain cartridges.

4. As each cartridge is identified by the drive, the cartridge's slot number is displayed on the LCD.
5. When all tests are completed, the LCD display shows the message "READY" if a magazine is loaded. If no magazine is loaded, the message "NO MAGAZINE" is shown.

Note. If your computer does not recognize the autoloader, you may need to load the appropriate autoloader module for your backup software. See your backup software installation manual for additional information.

Using cartridges and magazines

Applying labels

When applying labels to a cartridge, observe the following precautions to prevent the cartridge from getting stuck in the autoloader:

- Apply labels firmly, only in recessed label areas.
- Do not let labels extend beyond label areas or fold over the edge of a cartridge.
- Do not apply labels over other labels.

<p>Caution Do not place any labels on the autoloader magazine, since this may cause the tape mechanism to jam.</p>

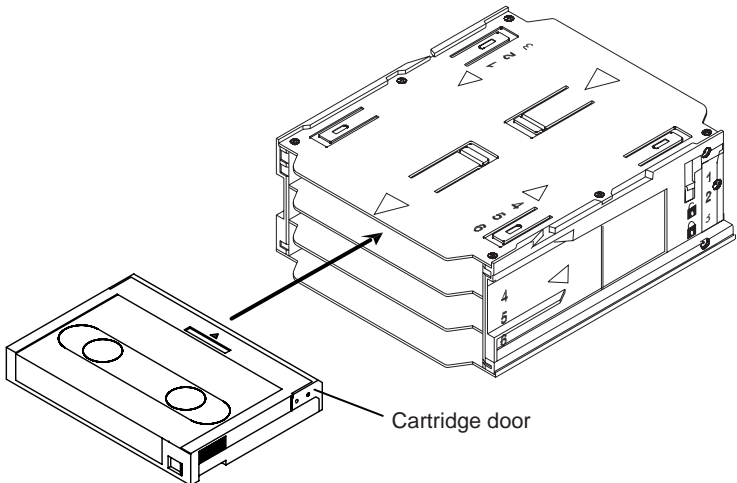
Loading cartridges in a magazine

Use only approved DDS cartridges in the Scorpion 240. Approved Seagate cartridges are listed on page A-37. To load cartridges into the magazine, follow these steps:

1. Make sure that the cartridges are write protected or write enabled, as necessary. See page A-37 for details.
2. Hold the magazine so that the slot numbers on the side of the magazine are right-side-up.

3. Insert the cartridge into the magazine with the door facing toward the magazine slot, as shown in Figure 9.

Figure 9. Inserting a cartridge into the autoloader magazine

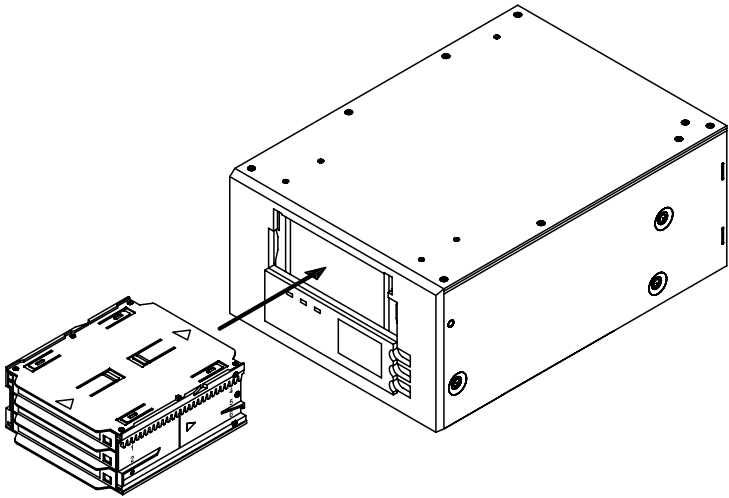


Loading a magazine into the autoloader

Caution. Do *not* load a magazine if all the LEDs are flashing; this indicates that the drive is performing a power-on self test.

1. Make sure the drive is powered on and operating normally.
2. Hold the magazine so that the slot numbers are right-side-up.
3. Write protect or write-enable the magazine as appropriate. See page A-38 for details.
4. Insert the magazine into the autoloader with the triangles facing into the autoloader bay, as shown in Figure 10 on the following page. Gently push the magazine into the autoloader bay until the autoloader mechanism senses the magazine and pulls it inside.

Figure 10. Loading a magazine into the autoloader



Ejecting a cartridge or magazine

To eject the magazine from the autoloader, press the Eject button. If a cartridge is in the drive, the LCD display shows the message "EJECT? PRESS ENTER". Press the Enter button, and wait for the following events to complete:

1. The tape rewinds to the beginning-of-partition (BOP) mark.
2. If the tape cartridge is not write-protected (read-only), the operating system writes the updated copy of the tape log back to the tape.
3. The tape rewinds to the beginning-of-media (BOM) and is unthreaded.
4. The changer places the cartridge back into the magazine.
5. The magazine is ejected.

If there is no cartridge in the tape drive, the magazine is ejected without delay.

Forcing an eject

If you press the Eject button when the tape drive is busy, the tape drive first completes the current task before responding to the eject request. This way no data is lost.

However, in extreme cases, you may need to force an eject to unload a cartridge, even at the risk of losing the data on the cartridge. A forced eject should *only* be tried when there is no other way to recover a cartridge.

<p>Caution. If you force an eject, the cartridge may become unreadable and may require erasing or re-initializing by the application software.</p>

You can also force an eject when you need to eject the magazine and there is no cartridge loaded in the drive. If you force an eject when a cartridge is not loaded, the autoloader waits 35 seconds, ejects the magazine, and then resets as though it had been turned off and then turned on.

To force an eject, hold down the Eject button for at least five seconds, then release the button. When you force an eject, the following occurs:

If there is a tape in the drive, the Status Panel displays the message "UNLOAD TAPE X" (where X is the number of the magazine slot which held the tape currently in the drive). After the tape has been returned to the magazine, the display changes to "EJECTING MAGAZINE" and the magazine is ejected.

Note. Because forcing an eject can interrupt an operation, the tape drive might not write the end of data (EOD) mark on the tape before the cartridge is ejected. If the EOD mark is not written on the tape, the tape might be formatted incorrectly and the data on the tape might be lost. However, the data can usually be read up to the point where the error occurred, if a tape is correctly formatted.

If forcing an eject does not successfully remove a cartridge or the magazine, contact Seagate technical support.

Automatic and manual cartridge loading

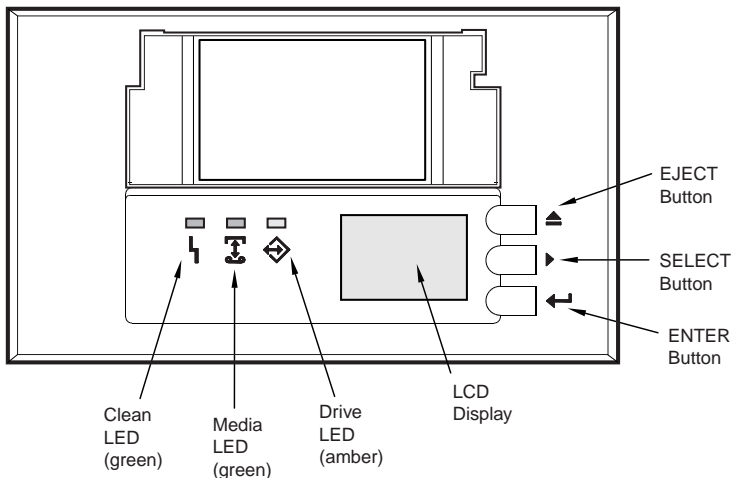
After cartridges have been loaded into the magazine and the magazine has been inserted into the magazine bay, the autoloader can be left indefinitely for unattended write or read operations (controlled by your backup software).

To load a tape manually, press the SELECT button to select the desired tape slot, then press the ENTER button.

About the front-panel buttons

This section describes the functions of the autoloader buttons. These buttons are shown in Figure 11 below.

Figure 11. Autoloader Front Panel



Eject button

You can use the Eject button to eject the magazine or to unload a cartridge from the drive. After pressing the Eject button, you must press the Enter button to confirm your request.

Select button

You can use the Select button to select individual tape cartridges by their slot numbers (1 through 6), to scroll

through items from menus on the LCD display, and to access loader menus if no magazine is installed.

Enter button

You can use the Enter button to select specific items from menus on the LCD display, to load a cartridge into the drive (after you have selected the cartridge using the Select button), or to confirm that you want to eject the magazine when there is a tape in the drive.

About the front-panel LEDs

As shown in Figure 11 on the previous page, the front panel of the Scorpion 240 Autoloader contains three LEDs that provide information during normal and error conditions. The LED flash codes are summarized below and on the following pages.

Clean LED

The Clean LED functions as follows:

- If the Clean LED is ON continuously, the drive requires cleaning. Use only a Seagate-approved cleaning cartridge to clean the drive, as described on page A-34.
- If the Clean LED is flashing slowly, the tape cartridge currently in use has exceeded a predefined soft-error threshold. This signal is a warning only and does not indicate that data has been lost. If you see this signal, remove the tape at your earliest convenience and clean the drive using a Seagate-approved DDS cleaning cartridge. If, after cleaning the drive and reinserting the original data cartridge, the Clean LED still flashes, then you should use a new cartridge for future backups.

Media LED

The Media LED functions as follows:

- If the Media LED is ON (lit) continuously, a DDS cartridge has been inserted and the drive is operating normally.
- If the Media LED is flashing rapidly, the drive could not write the tape correctly (maximum rewrite count

exceeded) and the write operation failed. Clean the drive heads using a Seagate-approved DDS cleaning cartridge. If you reinsert the original data cartridge and the LED continues flashing, insert a new data cartridge and retry the operation.

Note: As routine maintenance, you should clean the drive heads after every 25 hours of operation when using DDS-1 or DDS-2 tapes or after every 50 hours when using DDS-3 or DDS-4 tapes.

Drive LED

The Drive LED functions as follows:

- If the Drive LED is ON continuously, the drive is reading or writing the tape (that is, SCSI or tape activity is present).

Caution. If you push the Eject button while the Drive LED is ON, you will interrupt any host operation, causing an application error. It may not be possible to append to the tape if a write operation is aborted in this way.

Note: If a SCSI Prevent Media Removal command has been issued, the Drive LED remains ON and the eject button is disabled so that the tape cannot be accidentally ejected.

- If the Drive LED is flashing rapidly, a hardware fault has occurred. If this occurs immediately after powering on the drive, then the Power-On Self Test switch is enabled and a Power-On Self Test has failed. The front panel LEDs may be flashing together. If this occurs contact the Seagate Technical Support department for information. If the Drive LED is flashing rapidly during drive operation, you should attempt to remove the tape by pressing the Eject button. If the tape does not eject within 2 minutes, press and hold the Eject button continuously for more than 5 seconds. The tape should eject within 40 seconds. Contact Seagate Technical Support for more information.

LED Code summary

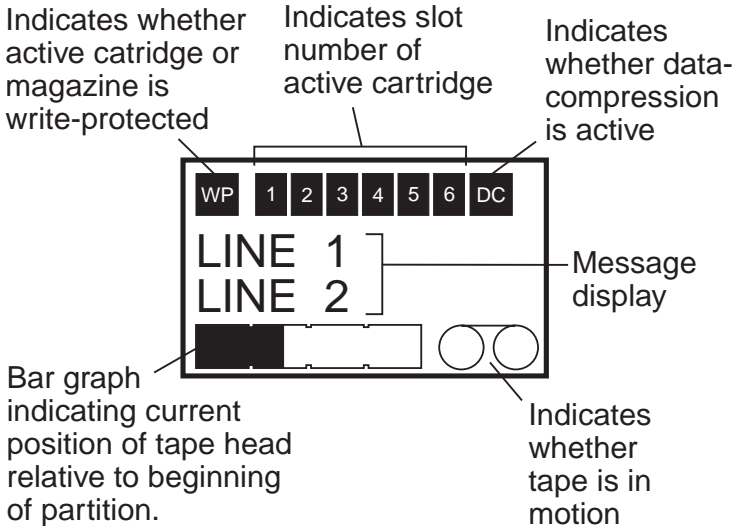
The following table summarizes LED flash codes for the Scorpion 240.

LED	Action	Meaning
Clean	ON (lit)	Cleaning is required because the drive has been operated for at least 25 hours (DDS-1 and DDS-2) or 50 hours (DDS-3 or DDS-4).
	Flashing Slowly	The internal error rate threshold has been exceeded and cleaning is required.
	Flashing	The cleaning cartridge in the drive has exceeded its useful life. Replace the old cleaning cartridge with a new one.
Media	ON (lit)	A cartridge is inserted and is not generating excessive errors.
	Flashing	The drive could not write the tape correctly (a write error has occurred). Use a Seagate-approved cleaning cartridge to clean the drive.
Drive	ON (lit)	The drive is reading or writing the tape normally.
	Flashing Rapidly	A hardware fault occurred.

About the front-panel LCD display

Figure 12 shows the types of information shown on the front-panel LCD display.

Figure 12. LCD display features



LCD display backlighting

Backlighting on the LCD display is turned on automatically when the autoloader is first powered on and whenever a front-panel button is pushed. The backlight remains on for two minutes, and then shuts off automatically (unless a front-panel button is pressed).

LCD display messages

The table on the following pages describes the messages that may be shown on the LCD display. The messages are listed in alphabetical order. An "X" indicates the number of the currently active cartridge slot.

LCD Message	Description
CASSETTE INSTALL PROBLEM	A cartridge has been inserted into the magazine incorrectly. Eject the magazine from the autoloader (see page A-22); then remove the cartridge from the magazine and reinsert it correctly.
CHECK DOOR	The autoloader door is open.
CLEANING	The autoloader is loading a cleaning cartridge into the drive.
CLEANING REQUIRED	The tape drive requires cleaning.
DOOR LOCKED	The autoloader door is locked.
DOOR UNLOCKED	The autoloader door is unlocked.
DRIVE ERROR 04/XX/XX	There is a problem with the tape drive. For additional information, contact Seagate technical support.
ERASE TAPE X	The tape drive is erasing the tape cartridge from slot X.
EJECTING MAGAZINE	The autoloader is ejecting the tape magazine.
EJECT? PRESS ENTER	A tape resides in the drive and the Eject button has been pressed. Eject confirmation is required before the tape can be ejected.
EJECT PREVENT	The autoloader is preventing you from ejecting the magazine because the software has enabled PMR (Prevent Media Removal).
FAN FAILURE	There is a problem with the autoloader fan. Contact Seagate technical support.
INSERT EMPTY MAGAZINE	The autoloader cannot unload a tape from the tape drive to the magazine because the magazine in the autoloader is fully loaded. Eject the magazine; then insert an empty magazine into the autoloader. For more information on ejecting a magazine, see "Ejecting the magazine" on page A-22.
LOADER ERROR 04/XX/XX	There is a problem with the autoloader hardware. For additional information, contact Seagate technical support.
LOAD TAPE X	The tape drive is loading the tape cartridge from slot X.
MEDIA ERROR 03/XX/XX	There is a problem with the tape cartridge. For additional information, contact Seagate technical support.
NO MAGAZINE	There is no magazine in the autoloader.
READ TAPE X	The tape drive is reading from a tape

LCD Message	Description
READY	The autoloader has scanned all cartridge slots in the magazine and is ready to perform an action.
READY TAPE X	There is a tape (from slot X) in the tape drive and the autoloader is ready to accept commands.
REPLACE CLEANING TAPE	The cleaning cartridge has been used up and must be replaced with a new cleaning cartridge.
REWIND TAPE X	The tape drive is rewinding the tape cartridge from slot X.
SCAN X	The autoloader is sequentially scanning the cartridge slots in the magazine.
SEARCH TAPE X	The tape drive is searching the tape cartridge from slot X.
SELECT X PUSH ENTER	This message displays when you press the Select button. Press the Select button repeatedly to display the desired tape number (X); then press the Enter button to load the selected tape into the drive.
SELECT PREVENT	The autoloader is preventing you from selecting a tape to load because a Prevent Media Removal command has been issued by the host. This prevents the tape that is in the drive from being ejected.
UNLOAD TAPE X	The tape drive is unloading the tape cartridge from slot X.
UPDATING FIRMWARE	The autoloader or tape drive firmware is being updated.
WAITING SELFTEST	This message displays while the tape drive is performing a Power-On Self-Test (POST) during startup.
WRITE TAPE X	The tape drive is writing to the tape cartridge from slot X.

Configuring autoloader features using the LCD display

To configure the autoloader using the LCD, first make sure that there is no magazine installed in the autoloader; then press and hold the Select button for five seconds. You can then use the Select button to cycle through the following menus: VERSION, LANGUAG (Language), CONTRST (Contrast), AUTO/LD (Auto Load), and DOOR. Each of these is described below. To display a particular menu, select the menu item and press the Enter button.

Version menu

In the VERSION menu, you can use the Select button to view the name of the autoloader, its SCSI ID, its firmware level, and the autoloader serial number.

Language menu

In the LANGUAG menu, you can enable the autoloader to display messages on the LCD in English, French, German, Italian, Portuguese, Japanese, or Spanish by scrolling to the appropriate language and pressing the Enter button.

Contrast menu

In the CONTRST menu, you can make the LCD display brighter by pressing the Enter button repeatedly until the desired contrast is displayed. To make the LCD darker, press the Select button repeatedly until the desired contrast is displayed.

Autoload menu

In the AUTO/LD menu, you can enable or disable automatic loading of tape cartridges from the magazine into the tape drive.

Note. This feature should only be used to automate tape loading if application software to support the loader operation is *not* available.

Most of software available for the Windows NT/2000 platform *does* support the SCSI commands necessary for loader operation. In this environment we suggest

leaving automatic load disabled (the default state). Check with your software vendor if you are unsure about your particular software application.

In Unix/Linux environments, on the other hand, backup software may not support autoloader operation directly. In this case, the 'offline' command is used to change tapes sequentially (in numerical order by slot number). In Unix/Linux environments, enabling automatic tape loading can allow you to setup an unattended backup.

To enable tape autoloading from within the autoload menu, select "ON" and then press the Enter button. After the magazine is inserted, tape 1 will automatically be loaded into the drive. When autoloading is enabled, the Select button can still be used to exchange tapes, but only in a sequential manner (in numerical order, by slot number).

To turn off autoloader mode, display the autoload menu, select "OFF," and then press the Enter button. When autoloading is disabled, tapes can only be loaded or unloaded via the front panel or using application software that has autoloader support.

Door menu

In the DOOR menu, you can lock the autoloader door by selecting "LOCK" and pressing the Enter button. You can unlock it by selecting "UNLOCK" and pressing the Enter button.

Cleaning the tape drive

If excessive magnetic dust or debris collects at one or more of the tape heads, your drive may not be able to read from or write to tape or may experience excessive errors. When the cleaning threshold is exceeded, the autoloader will display the cleaning request in two ways:

- The LCD display will show the message "CLEANING REQUIRED."
- The Clean LED will remain ON (lit) continuously.

Note. A slowly flashing Clean LED may indicate that a tape is damaged or is nearing the end of its life. If cleaning the head does not correct the flashing LED condition, replace the cartridge.

Use the table below to determine how often to clean the autoloader.

Daily Usage (hours)	Optimum cleaning frequency (for DDS-4 tapes)
4	Twice a month
8	Weekly
12 or more	Twice a week

Cleaning procedure

To clean the tape heads on your DDS-4 drive, use only a Seagate-qualified cleaning cartridge designed for DDS-4 drives. You can purchase a Seagate cleaning cartridge, Model STDML, on the internet at <http://buytape.seagate.com>.

Note. The drive cannot recognize audio DAT cleaning cartridges.

Manual cleaning

You can clean the drive manually using the following procedure:

1. Place the cleaning cartridge in a magazine slot and insert the magazine into the autoloader.
2. Use the Select button to select the slot where you placed the cleaning cartridge.
3. Press the Enter button to load the cleaning cartridge into the tape drive. The autoloader starts the cleaning cycle automatically.
4. When the cleaning cycle is complete, if the cartridge is not automatically ejected, press the Eject button to return the cleaning cartridge to the magazine. Press the Eject button again to unload the magazine and remove the cleaning cartridge.

5. Record the date of the cleaning on the cleaning cartridge label.

Each time the cleaning cartridge is loaded, a new, unused portion of cleaning tape is advanced over the entire tape path. The drive does not rewind a cleaning cartridge. After about 30 cleaning cycles, the entire tape is used up, and you must purchase a new cleaning cartridge.

If you insert a cleaning cartridge that has been used up, the cleaning cycle will not be carried out. Instead, the Clean LED will flash rapidly and the LCD will display the message, "REPLACE CLEANING TAPE." The cleaning cartridge will not be returned to the magazine, the Clean LED will stay on, and the LCD will display the message, "CLEANING REQUIRED." In this case, press the Eject button to remove the magazine and replace the old cleaning tape with a new one.

Automated cleaning

If your backup-and-restore software includes a tape-drive head-cleaning feature, you can use the software to clean the drive. Some software packages are preprogrammed to use Slot 6 to clean the drive automatically. The software prompts the autoloader changer to load the cartridge into the tape drive and initiates the cleaning cycle. When the cleaning cycle completes, the tape drive ejects the cleaning cartridge and the changer automatically returns the cartridge to the magazine slot. Refer to your software documentation for details.

If, during automated cleaning, you try to use a cleaning cartridge that has been used up, the cleaning cycle will not be carried out. Instead, the LCD will display the message, "REPLACE CLEANING TAPE". Then the cleaning cartridge will be returned to the magazine, the Clean LED will stay on, and the LCD will display the messages "REPLACE CLEANING TAPE" and "CLEANING REQUIRED". After the software operations are complete you may use the Eject button to remove the old cleaning tape and insert the new cleaning tape.

DDS-4 cartridge information

DAT cartridge compatibility

Seagate DDS-4 drives are designed to use data-grade DDS cartridges, such as those listed below.

Note. 60-meter DDS-1 tapes cannot be used with this drive.

- Model M32000
(DDS-1, 90 meters; 2-Gbyte uncompressed capacity)
- Model M34000
(DDS-2, 120 meters; 4-Gbyte uncompressed capacity)
- Model STDM24G
(DDS-3, 125 meters, 12-Gbyte uncompressed capacity)
- Model STDM40
(DDS-4, 150 meters, 20-Gbyte uncompressed capacity)

Write-protecting the DAT cartridge and magazine

Figure 13 shows how to write-protect or write-enable a DAT tape using the sliding write-protect tab. You can only write data to the tape when the tab is in the closed position.

Figure 13. Write-protect tab on the DAT cartridge

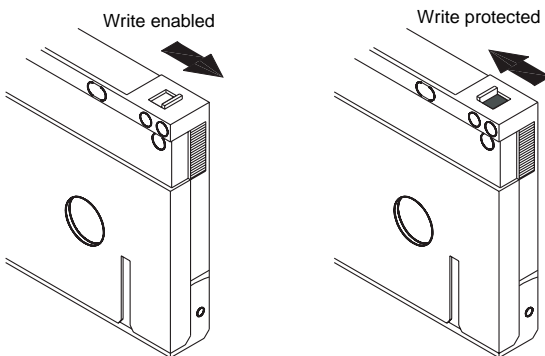
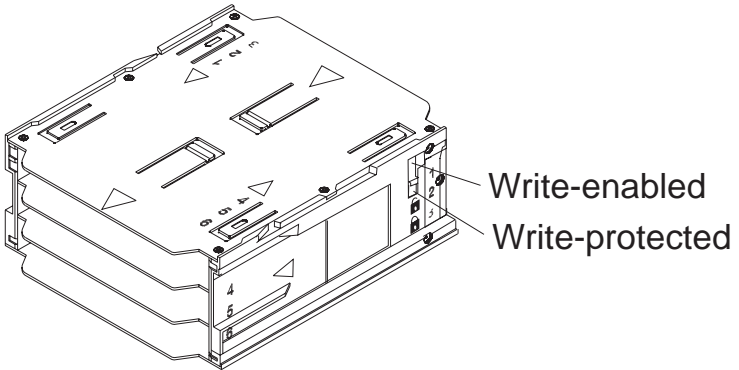


Figure 14 shows how to write-protect a Scorpion 240 magazine. To enable writing to the magazine, move the switch upward. To protect all tapes in the magazine from being written to, move the switch down.

Figure 14. Write-protect switch on autoloader magazine



Preparation for shipping

Before shipping the Scorpion 240, you must secure the autoloader door to prevent damage to the drive. Follow the procedure below to secure the door as the last step before switching off the autoloader:

1. Make sure there is no magazine in the autoloader. The LCD should display the message "NO MAGAZINE."
2. Press and hold the Select button for 5 seconds. The LCD should show the following menu:
 - > VERSION
 - LANGUAG
 - CONTRAST
3. Press the Select button four times. The curser (>) will move down to the word "DOOR," as shown below:
 - CONTRAST
 - AUTO/LD
 - > DOOR

4. Press the Enter button. The LCD should display the following sub-menu:
DOOR
> LOCK
UNLOCK
5. Press the Select button once to move the cursor to "LOCK" and then press the Enter button. The display returns to the menu shown in step 3 above.
6. Wait 5 seconds. The LCD screen will again display the message "NO MAGAZINE." After another 5 seconds, the LCD will display the message, "DOOR LOCKED."
7. Switch off the autoloader
8. Tap the door to make sure it has been successfully locked.

The door is now locked closed and the autoloader is ready to be packed up and shipped. The door is automatically unlocked when the drive is restarted.

Configuration for UNIX, Novell, and Windows NT operating systems

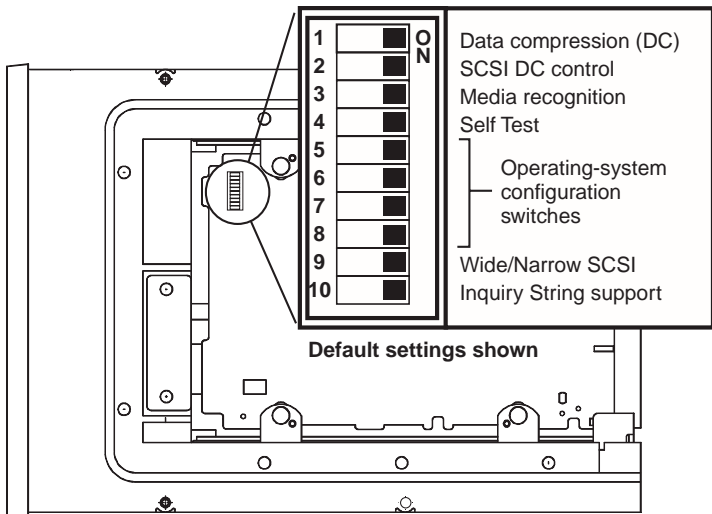
This section explains how to configure the Scorpion 240 for use with various UNIX, Novell, and Windows NT operating systems.

Operating-system configuration dip switches

Figure 15 shows the location of the operating-system configuration dip switches (switches 5 through 8) on the underside of the internal drive.

Note: If the drive is to be used with an operating system other than those described here, these switches should be left in their default positions.

Figure 15
Operating-system configuration dip switches on underside of the Scorpion 240



Configuration for the Windows NT environment

If you use Windows NT 4.0 with the 4mmDAT.SYS driver from Microsoft, you *must* set Switch 10 (the Inquiry-String switch) to OFF. If you use the STDAT4.SYS driver from Seagate, you can leave the Switch 10 in its default position (ON).

Regardless of which driver you use, all four of the operating-system configuration switches should be left ON (the default positions).

Configuration for Novell environments

The following table summarizes the dip switch settings for various Novell operating systems and drivers. These configurations are described in greater detail in the following paragraphs.

Operating System / tape driver software	Switch 5	Switch 6	Switch 7	Switch 8
Novell 4.11 w/ native backup applet using TAPEDAI driver or NWTAPE.CDM driver dated before 11/3/99	OFF	ON	ON	OFF
Novell 4.11 w/ native backup applet using NWTAPE driver dated after 11/3/99	ON	ON	ON	ON
Novell 5.x w/ native backup applet using NWTAPE.CDM driver dated before 11/3/99	OFF	ON	ON	OFF
Novell 5.x w/ native backup applet using NWTAPE.CDM driver dated after 11/3/99	ON	ON	ON	ON

Novell 4.11

There are two possible ways to configure the Scorpion 240 to work with Novell 4.11, depending on which tape driver you use.

Configuration 1: If you are using the existing Novell TAPEDAI driver or a version of the NWTAPE driver created before 11/3/99, you must change the Operating-System Configuration Dip switches so that switches 5 and 8 are OFF, as shown in the table above. This is different from their default settings (all switches ON).

Configuration 2: If you use the *latest* Novell NWTAPE driver (available on the Novell web site), the Operating-System Configuration Dip switches should be left in their default positions (all switches ON). From the administrator workstation, place the new NWTAPE driver in the same directory as the TAPEDAI driver (usually the system directory). Edit any .ncf files, such as autoexec.ncf, which call the TAPEDAI driver and replace calls to TAPEDAI with NWTAPE. Do not delete the TAPEDAI driver, because it may come in handy in resolving future problems.

Novell 5.x

There are two possible ways to configure the Scorpion 240 to work with Novell 5.x, depending on which tape driver you use.

Configuration 1: If you are still using the original Novell NWTAPE driver or any version created before 11/3/99, you must change the Operating-System Configuration Dip switches so that switches 5 and 8 are OFF, as shown in the table on the front of this sheet. This is different from their default settings (all switches ON).

Configuration 2: If you use the *latest* Novell NWTAPE driver (available on the Novell web site), the Operating-System Configuration Dip switches can be left in their default positions (all switches ON). Before installing the new NWTAPE driver, first rename the old NWTAPE driver (usually found in the system directory). Then copy the new version of NWTAPE into the same directory. Do not delete the old driver, because it might come in handy in resolving future problems.

Configuration for the DEC UNIX environment

Dip switch settings

Before using the Scorpion 240 in a DEC UNIX environment, set the operating-system dip switches as shown below:

	Switch 5	Switch 6	Switch 7	Switch 8
Setting	OFF	ON	ON	ON

Digital UNIX Version 4.0 and later

With Version 4.0 of their UNIX operating system, DEC introduced a new method of configuring the CAM SCSI driver. Modify the file **/etc/ddr.dbase** as follows:

1. Look through the file and locate the database entry for the DEC TLZ07 DAT drive
2. Copy this entry and paste it later in the file, taking care to maintain the file syntax.
3. Modify this new entry as shown below.

```
SCSIDEVICE
#
Type = tape
Name = "SEAGATE" "DAT"
#
PARAMETERS:
    TypeSubClass      = rdat
    TagQueueDepth    = 0
    MaxTransferSize   = 0x0ffffff # (16MB - 1)
    ReadyTimeSeconds = 60         # seconds
```

```
DENSITY:
#
DensityNumber = 0,3,4,5,6,7
DensityCode = default
CompressionCode = 0x0
Buffered = 0x1
```

```
DENSITY:
#
DensityNumber = 1,2
DensityCode = default
CompressionCode = 0x1
Buffered = 0x1
```

4. Save the database file.

5. Run the following command: **ddr_config -c**. This takes the default input file, `ddr.dbase`, and builds a new device database. The new device database is effective immediately, and there is no need to rebuild the kernel.

Digital UNIX Versions earlier than 4.0.

Configure the system by modifying the file **cam_data.c**. This is located in either `/usr/sys/data` or `/sys/data`, depending on the system configuration. The `cam_data.c` file should be modified as shown below:

1. Look through the file to locate the database entry for the "TLZ07 - RDAT" drive.
2. Make a copy of this entry and paste it later in the file, taking care to maintain the syntax of the C source.
3. Modify the new entry as shown below.

```
/* Seagate DAT Drive Returning "SEAGATE DAT" Inquiry */
{"SEAGATE DAT", 14, DEV_TLZ07,
 (ALL_DTYPE_SEQUENTIAL << DTYPE_SHFT) | SZ_RDAT_CLASS,
 (struct pt_info *)ccmn_null_sizes, SZ_NO_BLK, (DEC_MAX_REC - 1),
 &tlz07_dens, NO_MODE_TAB, SZ_NO_FLAGS,
 NO_OPT_CMDS, SZ_READY_DEF, SZ_NO_QUE,
 DD_REQSNS_VAL | DD_INQ_VAL, 36, 64
},
```

4. Rebuild the kernel using the *doconfig* script. Then reboot the system.

Configuration for the Sun UNIX environment

Dip switch settings

Before using the Scorpion 240 in a Sun UNIX environment, set the operating-system dip switches as shown below:

	Switch 5	Switch 6	Switch 7	Switch 8
Setting	ON	OFF	ON	ON

Sun OS 4.1.x

To configure SunOS 4.1.x to use the Scorpion 240, you must modify the **stdef.h** and **st_conf.c** files (in the directory /usr/sys/scsi/ targets), then rebuild the kernel, as described below:

1. Modify the **stdef.h** file by adding a define statement for the Seagate drive like the one shown below:

```
#define ST_TYPE_SEAGATE_DAT <value>
```

This statement should be added after the last ST_TYPE_ define statement in the file. <value> should be the next unused hexadecimal value. This value will depend on the release and number of devices supported by the system. For example, if the last value for an existing device is 0x2d, then use a value of 0x2e.

2. Modify the **st_conf.c** file by adding the following lines at the end of the device definition list:

```
/*Seagate DAT drive support */
{
  "SEAGATE DAT", 7, "SEAGATE", ST_TYPE_SEAGATE_DAT, 10240,
  (ST_VARIABLE | ST_BSF | ST_BSR | ST_LONG_ERASE | ST_KNOWS_EOD),
  5000, 5000,
  {0x0, 0x8c, 0x8c, 0x8c},
  {0, 0, 0, 0}
}
```

3. Use the *config* command to rebuild the kernel and include the new device definition. Refer to the *config* man page for details.

Solaris 2.x

1. To configure Solaris 2.x for compatibility with the Scorpion 240, add the following lines to the file **st.conf** in the directory */kernel/drv*.

```
tape-config-list=  
    "SEAGATE DAT    06240-XXX", "Seagate DAT Drive", "SEAGATE_DAT";  
SEAGATE_DAT = 1,0x34,0,0xd639,4,0x00,0x8C,0x8C,0x8C,3;
```

- Note:** The inquiry string above contains four spaces between the word `DAT` and the value `06240`.
2. After modifying the file **st.conf**, you must reconfigure the kernel by booting the system using the *boot -r* command

Configuration for the SGI environment

Dip switch settings

Before using the Scorpion 240 in a SGI UNIX environment, make sure that the dip switches are as shown below:

	Switch 5	Switch 6	Switch 7	Switch 8
Setting	ON	ON	ON	ON

Note: The main difference between tape drive support in Irix 5.x and 6.x is the introduction for Data Compression switching via software in Irix version 6.2. When running Irix 5.x, the drive will always operate in the compression setting determined by switch 6 on the bottom of the drive (off=compression enabled (default), on=compression disabled).

Irix V5.x

To configure Irix 5.x to use the Scorpion 240, you must modify the file `/var/sysgen/master.d/scsi` as described below:

1. Edit the file `/var/sysgen/master.d/scsi` and add the following entry:

```
{DATTAPE,TPDAT,7,12,"SEAGATE","DAT    06240"/*DAT*/,0,0,{0,0,0,0},
MTCAN_BSF|MTCAN_BSR|MTCAN_APPEND|MTCAN_SETMK|MTCAN_PART|MTCAN_PREV|
MTCAN_SYNC|MTCAN_SPEOD|MTCAN_CHKRDY|MTCAN_VAR|MTCAN_SETSZ|
MTCAN_SILI|MTCAN_SEEK|MTCAN_CHTYPEANY,
/* minimum delay on i/o is 12 minutes, to allow the Drives
* full error recovery sequence to be performed. */
40, 12*60, 12*60, 12*60, 512, 512*512 },
```

Note: The string above contains four spaces between the word `DAT` and the value `06240`.

2. Rebuild the kernel using the `autoconfig` command (see the `autoconfig` man page for details). After the kernel is rebuilt you will need to reboot the system again to bring the changes into effect.

Note: Irix 5.3 and later will detect the changes made and automatically rebuild the kernel the next time the system boots.

Irix V6.x through V6.5

To configure Irix 6.x-6.5 to use a Scorpion 240, you must modify the files `/var/sysgen/master.d/scsi` and `/dev/MAKEDEV.d/TPS_base`, as described below. After modifying these files you must rebuild the kernel.

1. Edit the file `/var/sysgen/master.d/scsi` and add one of the following entries, depending on your version of IRIX:

For IRIX V6.x through V6.4:

```
{ DATTAPE, TPDAT, 7, 12, "SEAGATE", "DAT    06240"/*DAT*/, 0, 0, {0},
/* This drive uses mode select page 0xf for compression control;
 * most of the other drives supporting compression use page 0x10 */
MTCAN_BSF|MTCAN_BSR|MTCAN_APPEND|MTCAN_SETMK|MTCAN_PART|MTCAN_PREV|
MTCAN_SYNC|MTCAN_SPEOD|MTCAN_CHKRDY|MTCAN_VAR|MTCAN_SETSZ|
MTCAN_SILI|MTCAN_SEEK|MTCAN_CHTYPEANY|MTCAN_COMPRESS,
/* minimum delay on i/o is 12 minutes, to allow the Drives
 * full error recovery sequence to be performed. */
40, 12*60, 12*60, 12*60, 512, 512*512, 0, (u_char *)0 },
```

For IRIX V6.5:

```
{ DATTAPE, TPDAT, 7, 12, "SEAGATE", "DAT    06240"/*DAT*/, 0, 0, {0},
/* This drive uses mode select page 0xf for compression control;
 * most of the other drives supporting compression use page 0x10 */
MTCAN_BSF|MTCAN_BSR|MTCAN_APPEND|MTCAN_SETMK|MTCAN_PART|MTCAN_PREV|
MTCAN_SYNC|MTCAN_SPEOD|MTCAN_CHKRDY|MTCAN_VAR|MTCAN_SETSZ|
MTCAN_SILI|MTCAN_SEEK|MTCAN_CHTYPEANY|MTCAN_COMPRESS,
/* minimum delay on i/o is 12 minutes, to allow the Drives
 * full error recovery sequence to be performed. */
40, 12*60, 12*60, 12*60, 3*3600, 512, 512*512,
tpsc_default_dens_count, tpsc_default_hwg_dens_names,
tpsc_default_alias_dens_names,
{0},0,0,0,
0, (u_char *)0 },
```

2. Edit the file `/dev/MAKEDEV.d/TPS_base` and make the following modification (this modification is not required on systems running IRIX 6.4 or 6.5).

Locate the area of code which deals with DAT drives.
This starts with:

```
*Drive?type:*DAT*
```

Then insert the following text before or after the similar entries for other supported devices:

```
*Device:*DAT*06240*) # DAT drive with compression
    mdev=`expr $mdev + 8`;
    mknod ${prf}$1c c ${C_TPS} $mdev;
; ;
```

3. Restart the system. Irix 6.x will detect the changes made and automatically rebuild the kernel on startup.

Alternatively, you could manually rebuild the kernel using the `autoconfig` command (see the `autoconfig` man page for details), then reboot the system again to bring the changes into effect.

Troubleshooting installations on the SGI platform

Checking the drives inquiry string

It may be useful to confirm the drive's inquiry string. This is done using the `mt` command. The following command line will retrieve the Inquiry string and other status data from a drive on SCSI bus 1, ID 4.

```
mt -f /dev/rmt/tps1d4 status
```

System Interchange Problems

If the following error appears when trying to restore a `cpio` archive from another system, it is likely that a mistake was made in the installation sequence in section 7.1 above:

```
Byte swapped Data - re-try with correct device
```

If this error is encountered, make sure that the correct modifications were made to the file `/var/sysgen/master.d/scsi`.

Switching Hardware Compression

Irix 6.x provides support for software switching of hardware compression through the use of different device drivers. Drivers including a "c" in the device name should enable compression. You may be able to resolve problems with data compression by installing the latest Irix 6.x patch set.

Configuration for the HP-UX environment

Dip switch settings

Before using the Scorpion 240 in an HP UNIX environment, set the operating-system configuration dip switches as shown below:

	Switch 5	Switch 6	Switch 7	Switch 8
Setting	ON	ON	OFF	ON

HP-UX Version 10.2 and 11

Follow the steps below to configure HP-UX systems:

1. Log in as root.
2. Run the SAM utility.
3. Choose the Peripheral Devices option.
4. Choose Tape Drives.
5. From the Actions menu in the Tape Device Manager window, choose Add.
6. Within the Add a Tape Drive window, read the instructions, then click on OK.
7. SAM may detect that your HP-UX kernel lacks the drivers necessary to make use of your new tape drive. If so, within the "Device Driver Check" window, read the message and choose the appropriate action. If the chosen option is Build a new kernel and shut down the system immediately, SAM will create a new kernel, and automatically reboot the system. Once the system comes back up, the necessary drivers will be loaded, and the system will be able to use the tape drive.
8. If you had to shut down the system in order to physically connect the tape drive, re-enter SAM and repeat steps 3 through 6 above.
9. Choose the new tape drive.
10. From the *Actions* menu, choose *Create Device Files*.
11. Press OK and then exit from SAM.

Configuration for the IBM AIX environment

Dip switch settings

Before using the Scorpion 240 in an IBM AIX environment, set the operating-system configuration dip switches as shown below:

	Switch 5	Switch 6	Switch 7	Switch 8
Setting	ON	OFF	ON	OFF

AIX Version 3.2 and later

AIX Versions 3.2 and later can be configured to work with the Scorpion 240 by using the SMIT “Other SCSI Tape Drive” option.

Note: To use this procedure, you will need to know the SCSI ID being used by the tape drive.

To configure AIX using the SMIT utility, use the following procedure:

1. Enter SMIT at the Tape Drive menu by typing “smit tape”
2. Select “Add a tape drive”
3. Select the type of tape drive you will be adding. Use the “Other SCSI Tape Drive” option.
4. Select the parent SCSI Adapter from the available list
5. The Add a tape Drive entry fields now appear. Some of the standard options need to be changed to maximize drive performance and functionality:
 - Set the “Connection Address” with the tape drive’s Target and LUN (always use 0 for the LUN). In the list, the Target is the first number and the LUN is the second. For example, if the drive is ID 5, choose 5,0
 - Set the Fixed “Blocksize” to 1024
 - Set “Density 1” to 140

- Set the “Maximum delay for the Read/Write command” to 900
6. Press the RETURN key. The drive will be installed in the system database and the appropriate devices created
 7. Exit SMIT

Controlling data compression under AIX

After you run SMIT, device files will have been created for your new tape drive. Typical filenames are listed below:

```
/dev/rmt0 /dev/rmt0.1 /dev/rmt0.2 /dev/rmt0.3
/dev/rmt0.4/dev/rmt0.5 /dev/rmt0.6 /dev/rmt0.7
```

If you enter the configuration information specified in step 5 of the configuration process, devices rmt0, rmt0.1, rmt0.2 and rmt0.3 will cause the drive to write in compressed mode. Using devices rmt0.4, rmt0.5, rmt0.6 and rmt0.7 will cause the drive to write with compression disabled.

Configuration for SCO UNIX

Before using the Scorpion 240 in an SCO UNIX environment, set the operating-system configuration dip switches as shown below:

	Switch 5	Switch 6	Switch 7	Switch 8
SCO ODT and Open Server installation, using MAKDEV utility	OFF	ON	ON	OFF
SCO UnixWare 7.x	ON	ON	ON	ON

Configuration for LINUX

Before using the Scorpion 240 in a LINUX environment, make sure the operating-system configuration dip switches are all set to ON, as shown below:

	Switch 5	Switch 6	Switch 7	Switch 8
Setting	ON	ON	ON	ON

Summary of drive specifications

Category	Specification (six-cassette magazine)
Performance specifications	
Tape length/type 90 m MP 120 m MP+ 125 m MP++ 150 m MP+++	(based on 2:1 data compression) 24.0 Gbyte (4.0 Gbytes / cassette) 48.0 Gbyte (8.0 Gbytes / cassette) 144.0 Gbyte (24.0 Gbytes / cassette) 240.0 Gbyte (40.0 Gbytes / cassette)
Recording density (DDS-4)	122,000 bpi
Track density (DDS-4)	147.34 tracks/mm
Error recovery	Read-after-write, Reed Solomon ECC, (C3 - 3 levels)
Unrecoverable recording errors	< 1 in 10^{15} data bits
Head configuration	2 read heads, 2 write heads
Recording format	DDS-1, DDS-2, DDS-3, DDS-4
Cartridge dimensions	2.9 in. x 2.1 in. x 0.4 in.
Transfer rate (sustained)	2.75 Mbyte/sec uncompressed 5.5 Mbyte/sec compressed
Synchronous transfer rate (burst)	80 Mbyte/sec max (LVD) 40 Mbyte/sec max (single-ended)
Search speed	400 X normal speed
Average access time 90 m tape 120 m tape 125 m tape 150 m tape	(single cassette) <30 sec <40 sec <40 sec <40 sec
Load Time	≤ 15 sec
Cassette swap time	≤ 8.5 sec
Drum rotation speed	10,000 RPM

Category	Specification (six-cassette magazine)	
Environmental Specifications		
Temperature (operating) (nonoperating)	+41° to +113°F ¹ (+ 5° to + 45°C) -40° to +149°F ² (-40° to + 65°C)	
Thermal gradient	2° C/minute (no condensation)	
Relative humidity (operating) (nonoperating)	20% to 80% noncondensing 0% to 90% noncondensing	
Maximum wet bulb temp	78.8°F (26°C)	
Altitude (operating) (nonoperating—power off)	-100 to +4,575 meters -300 to +15,200 meters	
Vibration (nonoperating)	1.5 g (5 to 500 Hz)	
Vibration Sweep Test	1.20 mm peak-to-peak (5-17 Hz) 0.73 g peak (17 to 150 Hz) 0.50 g peak (150-500 Hz)	
Vibration Sweep Rate	8 decades per hour	
Vibration Dwell Test (15 min)	0.90 mm peak-to-peak (5-17 Hz) 0.55 g peak (17-150 Hz) 0.25 g peak (150-500 Hz)	
Acoustic level idling (A-wt sum)	47 dBA maximum	
Acoustic level operational (A-wt sum)	60 dBA maximum (measured in suitable enclosure at 3-ft distance and operator height)	
Shock (1/2 sine wave) Operating Nonoperating	10 g's peak, 11 msec 50 g's peak, 11 msec	
Power specifications		
DC Voltage and tolerance	+12 VDC ± 10%	+5 VDC ± 7%
Current (operating/peak)	0.7 / 2.4 amps	1.7 / 2 amps
Ripple (peak to peak)	≤ 100 mV	≤ 100 mV
Power dissipation (standby)	< 11 watts	
Power dissipation (operating)	< 17 watts	

Support services

If you experience problems installing or using your tape drive, Seagate Technical Support can help. If you have general questions about Seagate tape products and applications, please contact Seagate Tape Presales Support.

World-wide services:

World-wide web: A wide variety of technical support services are available on Seagate's World Wide Web site, located at <http://www.seagate.com>

To purchase tape products or accessories on the internet, go to <http://buytape.seagate.com>

Seagate E-mail Technical Support: You can e-mail questions or comments to: tapesupport@seagate.com

Regional services

Seagate provides technical support through several regional centers worldwide. These services may include:

- **Seagate phone technical support:** For one-on-one help, you can talk to a technical support specialist during local business hours. Before calling, note your system configuration and drive model number.
- **Seagate Technical Support FAX:** You can FAX questions or comments to technical support specialists. Responses are sent during local business hours.
- **SeaFAX:** You can use a touch-tone telephone to access Seagate's automated FAX system to receive technical support information by return FAX. This service is available 24 hours daily.
- **SeaBOARD:** SeaBOARD is Seagate's automated computer bulletin board system, available 24 hours daily. Set your modem to eight data bits, no parity and one stop bit (8-N-1).

Support services in the Americas

Telephone technical support

(you will be directed to a product-specific phone or SEAFAX number)

US customers: 1-800-SEAGATE

International customers: 1-405-936-1234

Seagate Technical Support FAX (US and international):

1-405-936-1683

SeaTDD (Telephone support for the deaf; US and

international): 1-405-936-1687

SeaBOARD (US and international): 1-405-936-1630

Presales Support: 1-800-626-6637

Support services in Europe

For European customer support and SeaFAX, dial the toll-free number for your specific country from the table below. The

Seagate Technical Support FAX number for all European countries is 31-20-653-3513.

Country	Phone / SeaFAX
Austria	0 800-20 12 90
Belgium	0 800-74 876
Denmark	80 88 12 66
France	0 800-90 90 52
Germany	0 800-182 6831 (see also SeaBOARD at 49-89-1409331)
Ireland	1 800-55 21 22
Italy	800-790695
Netherlands	0 800-732 4283
Norway	800-113 91
Poland	00 800-311 12 38
Spain	900-98 31 24
Sweden	0 207 90 073
Switzerland	0 800-83 84 11
Turkey	00 800-31 92 91 40
United Kingdom	0 800-783 5177

If your country is not listed in the table on the previous page, dial our European call center in Amsterdam at 31-20-316-7222 between 8:30 A.M. to 5:00 P.M. (European central time) Monday through Friday or send a FAX to 31-20-653-3513.

Support services for Africa and the Middle East

For support services in Africa and the Middle East, dial our European call center in Amsterdam at 31-20-316-7222 between 8:30 A.M. to 5:00 P.M. (European central time) Monday through Friday, or send a FAX to 31-20-653-3513.

Support services in Asia and the Western Pacific

For presales and technical support in Asia and the Western Pacific, dial the toll-free number for your specific country. These toll-free numbers are available Monday through Friday from 6:00 A.M. to 10:45 A.M. and 12:00 P.M. to 6:00 P.M. (Australian Eastern Time). If your country is not listed here, please use one of the direct-dial numbers.

Call Center	Toll-free number	Direct dial number	FAX number
Australia	1800-14-7201	+61-2-9725-3366	+61-2-9725-4052
Hong Kong	800-90-0474	—	+852-2368 7173
Indonesia	001-803-1-003-2165	—	—
Japan	—	—	+81-3-5462-2979
Malaysia	1-800-80-2335	—	—
New Zealand	0800-443988	—	—
Singapore	800-1101-150	+65-488-7584	+65-488-7528
Taiwan	—	+886-2-2514-2237	+886-2-2715-2923
Thailand	001-800-11-0032165	—	—

Autochargeur DDS-4 Scorpion 240

Manuel d'installation

Section B
Français

SCORPION

© 2000 Seagate Removable Storage Solutions, LLC. Tous droits réservés.

Numéro d'article 100135972

Seagate et le logo Seagate sont des marques déposées de Seagate Technology, LLC. Scorpion 240 et le logo Scorpion sont des marques ou des marques déposées de Seagate Removable Storage Solutions LLC. Les autres noms de produits sont des marques ou des marques déposées de leurs propriétaires.

Seagate se réserve le droit de modifier sans préavis les offres ou les spécifications des produits. Cette publication ne peut être reproduite, en tout ou partie et sous quelque forme sans l'autorisation écrite de Seagate Removable Storage Solutions.

Numéro de publication : 10007066-003, 13 novembre 2000

Sommaire

Sommaire	B-3
Avis de la FCC	B-5
Introduction	B-7
A propos de ce manuel d'utilisation	B-7
A propos de l'autochargeur Scorpion 240	B-7
Avant de commencer	B-9
Précautions	B-9
Déballage et inspection	B-9
Installation de l'autochargeur interne	B-10
Configuration de l'autochargeur interne	B-10
Montage de l'autochargeur interne	B-15
Branchement du câble de liaison SCSI	B-17
Branchement du cordon d'alimentation	B-18
Installation de l'autochargeur externe	B-19
Configuration du Scorpion 240 externe	B-19
Branchement du cordon d'alimentation	B-22
Utilisation et maintenance	B-23
Démarrage de l'autochargeur	B-23
Utilisation des cassettes et des magasins	B-24
A propos des boutons du panneau avant	B-28
A propos des voyants lumineux du panneau avant	B-29
A propos de l'affichage à cristaux liquides du panneau avant	B-33
Nettoyage du lecteur de bande	B-38
Cassettes DDS-4	B-40
Préparation de l'expédition	B-42
Configuration pour les systèmes d'exploitation UNIX, Novell et Windows NT	B-44
Commutateurs de configuration du système d'exploitation	B-44
Configuration pour l'environnement Windows NT	B-45
Configuration pour les environnements Novell	B-45

Configuration pour l'environnement UNIX DEC	B-48
Configuration pour l'environnement UNIX Sun	B-50
Configuration pour l'environnement SGI	B-52
Configuration pour l'environnement HP-UX	B-56
Configuration pour l'environnement IBM AIX	B-57
Configuration pour UNIX SCO	B-59
Configuration pour LINUX	B-59
Récapitulatif des spécifications du lecteur	B-60
Assistance technique	B-62

Avis de la FCC

Cet équipement produit et utilise des signaux à haute fréquence ; si son installation et son utilisation ne sont pas rigoureusement conformes aux consignes du fabricant, il risque de générer des parasites sur les récepteurs de radio et de télévision, ce qui pourrait rendre illégale l'utilisation de cet appareil. Ce dernier a été testé et s'est avéré conforme aux limites d'un appareil numérique de classe B, conformément à l'article 15 des réglementations FCC, conçues pour fournir une protection raisonnable contre de telles interférences dans une installation résidentielle. Toutefois, il n'est pas garanti que de telles interférences ne se produiront pas avec une installation spécifique. En cas d'interférence, essayez d'y remédier au moyen d'une ou plusieurs mesures suivantes :

- Modifiez l'orientation ou l'emplacement de l'antenne de réception.
- Éloignez l'ordinateur du récepteur.
- Branchez l'ordinateur sur une prise secteur d'une ligne électrique différente de celle sur laquelle le récepteur est branché.
- Consultez le revendeur ou un technicien radio/TV expérimenté pour obtenir de l'aide.

Il est recommandé de consulter l'ouvrage préparé par la Federal Communications Commission : *How to Identify and Resolve Radio-TV Interference Problems (004-000-00345-4) (Comment identifier et corriger les problèmes d'interférence radio-télévision)* publié par : U.S. Government Printing Office, Washington, D.C. 20402.

Cet appareil numérique de la classe B est conforme au règlement sur brouillage radio-électrique, C. R. C., ch. 1374.

Introduction

A propos de ce manuel d'utilisation

Ce manuel d'utilisation contient des informations sur l'installation et le fonctionnement de l'autochargeur DDS-4 Scorpion 240.

A propos de l'autochargeur Scorpion 240

L'autochargeur interne de Seagate est un système de bande multicassette pleinement intégré et intelligent qui prend en charge les formats de cassette DDS (Digital Data Storage – stockage numérique des données), DDS-1, DDS-2, DDS-3 et DDS-4. Il comprend un magasin pouvant recevoir jusqu'à six cassettes de bandes.

L'autochargeur interne (STD42401LW) est conçu pour être installé à l'intérieur d'un ordinateur, dans une baie pleine hauteur de 134 mm (5,25 pouces). L'autochargeur externe (STD62401LW) est un sous-système autonome qui se branche sur un hôte à l'aide d'un câble SCSI blindé à 68 broches.

Remarque : Le Scorpion 240 ne fonctionne pas dans un environnement SCSI-1.

Grâce à l'alliance de la technologie DDS établie, de capacités d'enregistrement haute densité et de compression matérielle des données et du lecteur de bande DDS confirmé de Seagate, l'autochargeur Scorpion 240 offre une fiabilité et des performances inégalées.

Applications du lecteur

L'autochargeur Scorpion 240 est idéal pour des applications de serveur et de réseau/entreprise, notamment :

- La sauvegarde de lecteurs de disque haute densité ou d'ensembles de disques
- La gestion automatisée du stockage
- La collecte des données en ligne, sans surveillance
- Le stockage secondaire près des lignes pour les données texte, graphiques ou multimédia de tous types
- Le stockage en archives

Capacité et débit de transfert des données du Scorpion 240

Le Scorpion 240 présente les capacités et débits de transfert soutenu des données suivants, selon le type et la longueur de la bande utilisée. Ces capacités et débits de transfert des données sont basés sur une compression des données de 2:1. Pour les capacités sans compression, divisez ces valeurs par deux.

Format de bande :	DDS	DDS-2	DDS-3	DDS-4
Longueur de bande (m)	90	120	125	150
Capacité pour une cassette unique (Goctets)	4,0	8,0	24,0	40,0
Capacité pour un magasin de six cassettes (Goctets)	24,0	48,0	144,0	240,0
Débit de transfert de données soutenu (Moctets/s)	1,83	1,83	5,5	5,5

Remarque. Les cassettes DDS de 60 mètres ne peuvent pas être utilisées avec ce lecteur.

Avant de commencer

Précautions

Précautions. Respecter les précautions suivantes pour ne pas endommager l'autochargeur interne par une décharge électrostatique.

- Ne retirez le lecteur de sa poche antistatique qu'au moment de son installation.
- Avant de retirer le lecteur de la poche antistatique, touchez une surface métallique mise à la terre pour décharger toute l'électricité statique corporelle accumulée.
- Le lecteur doit être tenu uniquement par les bords ; évitez tout contact direct avec les composants électroniques.
- Si vous devez poser le lecteur, placez-le au-dessus ou à l'intérieur de la poche antistatique.

Déballage et inspection

Bien qu'ils ont été inspectés et soigneusement emballés en usine, les autochargeurs Seagate ne sont pas à l'abri de dommages lors de l'expédition. Procédez comme suit pour déballer l'autochargeur.

1. Inspectez le carton d'expédition. Avertissez immédiatement l'expéditeur en cas de dommages.
2. Placez le conteneur sur une surface plane, propre et stable. Sortez ensuite soigneusement son contenu et vérifiez la liste d'emballage. Dans le cas de pièces manquantes ou d'équipement endommagé, avvertissez votre représentant Seagate.
3. Conservez le carton ainsi que les matériaux d'emballage du lecteur au cas où un renvoi s'avérerait nécessaire.

Installation de l'autochargeur interne

Ce chapitre explique comment configurer, monter et fixer les câbles sur l'autochargeur *interne* Scorpion 240.

Configuration de l'autochargeur interne

Avant d'installer le Scorpion 240 interne dans l'ordinateur, vous devez configurer le lecteur pour qu'il fonctionne avec votre système.

Paramètres par défaut

Les paramètres par défaut du lecteur interne sont les suivants :

- Numéro d'identification SCSI : 6.
- Contrôle de parité : activé.
- Alimentation de terminaison SCSI : désactivée.
- Compression de données : activée.
- Diagnostics d'autotest à la mise sous tension : activés.
- Mode de reconnaissance des supports (MRS) : activé (le lecteur n'écrit pas sur les supports non MRS).

Si les valeurs de ces réglages par défaut conviennent à votre système, passez à la section « Montage de l'autochargeur interne » à la page B-15.

Modification des réglages des cavaliers

Pour changer le numéro d'identification SCSI, le contrôle de parité ou l'alimentation de terminaison, utilisez les cavaliers situés à l'arrière du lecteur, comme illustré sur la figure 1 à la page suivante.

Remarque. Mettez le lecteur hors tension avant de changer les cavaliers ou les commutateurs DIP. Les

modifications sont activées à la remise sous tension du lecteur.

Figure 1. Broches des cavaliers à l'arrière du Scorpion 240.

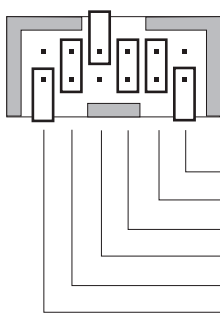
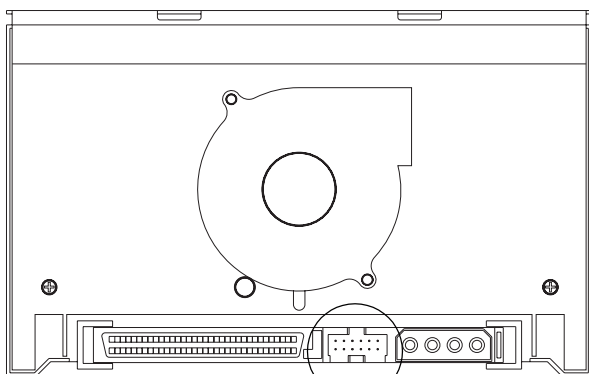


Illustration des réglages des cavaliers par défaut (SCSI ID 6, contrôle de parité activé et résistance terminale désactivée)

Broches:	Fonction:
1-2	SCSI ID bit 0
3-4	SCSI ID bit 1
5-6	SCSI ID bit 2
7-8	SCSI ID bit 3
9-10	Contrôle de parité
11-12	Résistance terminale

SCSI ID=0	■ ■ ■ ■ ■ ■ ■ ■
SCSI ID=1	■ ■ ■ ■ ■ ■ ■ ■
SCSI ID=2	■ ■ ■ ■ ■ ■ ■ ■
SCSI ID=3	■ ■ ■ ■ ■ ■ ■ ■
SCSI ID=4	■ ■ ■ ■ ■ ■ ■ ■
SCSI ID=5	■ ■ ■ ■ ■ ■ ■ ■
SCSI ID=6	■ ■ ■ ■ ■ ■ ■ ■
SCSI ID=7	■ ■ ■ ■ ■ ■ ■ ■

SCSI ID=8	■ ■ ■ ■ ■ ■ ■ ■
SCSI ID=9	■ ■ ■ ■ ■ ■ ■ ■
SCSI ID=10	■ ■ ■ ■ ■ ■ ■ ■
SCSI ID=11	■ ■ ■ ■ ■ ■ ■ ■
SCSI ID=12	■ ■ ■ ■ ■ ■ ■ ■
SCSI ID=13	■ ■ ■ ■ ■ ■ ■ ■
SCSI ID=14	■ ■ ■ ■ ■ ■ ■ ■
SCSI ID=15	■ ■ ■ ■ ■ ■ ■ ■
Activation de parité	■ ■ ■ ■ ■ ■ ■ ■
Résistance terminale	■ ■ ■ ■ ■ ■ ■ ■

Sélection d'adresse SCSI (broches 1 à 8)

Chaque périphérique SCSI doit disposer d'un numéro d'identification SCSI unique sur le bus. Le contrôleur ou l'adaptateur central SCSI utilise généralement le numéro ID 7. Sur certains systèmes, l'unité d'amorçage utilise le numéro ID 0 ou ID 1.

L'adresse SCSI voulue peut être sélectionnée en plaçant les cavaliers appropriés sur les paires de broches 1-2 à 7-8, conformément à la figure 1.

Remarque : Les numéros d'identification SCSI 8 à 15 ne sont reconnus que si le commutateur DIP 9 est activé. Voir page B-15 pour plus de détails.

Contrôle de parité (broches 9 à 10)

Si un cavalier est monté sur les broches 9 à 10, le contrôle de parité est activé. Si aucun cavalier n'est installé, le contrôle de parité est inactif mais la parité est quand même générée par le lecteur.

Alimentation de terminaison (broches 11 à 12)

Si un cavalier est monté sur les broches 11 à 12, l'alimentation de terminaison est activée.

Remarque : Le lecteur interne Scorpion 40 *n'assure pas* la terminaison SCSI ; il ne doit donc pas être le dernier dispositif installé en fin de chaîne SCSI. Voir « Terminaison SCSI » en page B-17 pour plus d'informations à ce sujet.

Si un cavalier d'alimentation de terminaison est installé, veillez à ne pas court-circuiter le signal TERMPWR à la terre. En cas de court-circuit, l'alimentation de terminaison vers le bus est interrompue. Une fois le court-circuit supprimé, un fusible est automatiquement réenclenché dans le lecteur, restaurant ainsi l'alimentation de terminaison.

Modification des réglages des commutateurs DIP

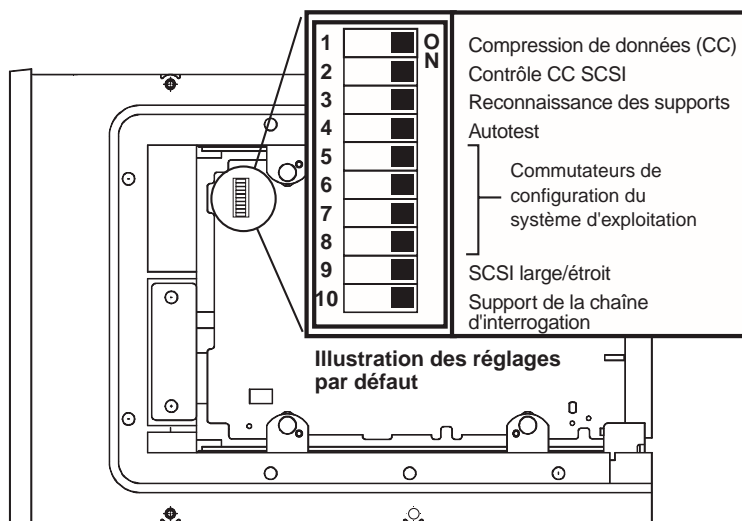
Pour changer la compression de données, le mode de reconnaissance des supports, les diagnostics d'autotest à la mise sous tension, les paramètres du système d'exploitation,

la sélection du mode SCSI large/étroit ou la chaîne d'interrogation du lecteur, vous devez utiliser les commutateurs DIP sur la face inférieure du lecteur interne.

La figure 2 montre l'emplacement des commutateurs DIP sur la *face inférieure* du Scorpion 240. Chaque réglage est décrit en détail dans les pages qui suivent.

Remarque. Mettez le lecteur hors tension avant de changer les cavaliers ou les commutateurs DIP. Les modifications sont activées à la remise sous tension du lecteur.

Figure 2. Réglages des commutateurs DIP pour un Scorpion 240 interne



Compression de données (commutateurs 1 et 2)

Si le commutateur 1 est sur MARCHE (réglage par défaut), la compression de données matérielle est activée lors de la mise sous tension du lecteur. Si le commutateur 1 est sur ARRÊT, la compression de données matérielle est désactivée à la mise sous tension.

Si le commutateur 2 est sur MARCHE (réglage par défaut), les commandes SCSI permettent d'activer ou de désactiver la compression de données matérielle. Pour empêcher les

commandes SCSI d'activer ou de désactiver la compression de données matérielle, placez le commutateur DIP 2 sur ARRÊT.

Système de reconnaissance des supports (commutateur 3)

Le système de reconnaissance des supports permet au lecteur de déterminer si la cassette de bande est conforme à la norme DDS. L'utilisation de supports non DDS semble fournir des résultats satisfaisants mais les spécifications inférieures de ces supports peuvent poser des problèmes d'intégrité des données.

Le commutateur 3 active ou désactive le mode de reconnaissance des supports MRS (Media Recognition System). Si le commutateur 3 est sur MARCHE (le paramètre par défaut), le lecteur procède à la lecture et à l'écriture des supports MRS et lit les supports non MRS mais ne peut pas effectuer l'écriture d'informations. Si le commutateur 3 est sur ARRÊT, le lecteur peut procéder à la lecture et à l'écriture des supports MRS et non MRS.

Activer/désactiver l'autotest de la mise sous tension (commutateur 4)

Le commutateur 4 active et désactive l'exécution des diagnostics d'autotest effectués à la mise sous tension du lecteur. Si le commutateur 4 est sur MARCHE (réglage par défaut), le lecteur effectue un autotest à la mise sous tension. Si le commutateur 4 est sur ARRÊT, le lecteur n'effectue pas l'autotest à la mise sous tension.

Configuration du système d'exploitation (commutateurs 5 à 8)

Les commutateurs 5 à 8 permettent de configurer le lecteur pour une utilisation avec les systèmes d'exploitation UNIX, Novell et Windows NT. Ces procédures sont décrites à partir de la page B-44. Les quatre commutateurs sont réglés par défaut sur la position MARCHE.

Mode SCSI large/étroit (commutateur 9)

Le commutateur 9 active ou désactive le fonctionnement SCSI en mode large sur le bus SCSI. Si le commutateur 9 est sur MARCHÉ (réglage par défaut), le lecteur peut fonctionner en mode SCSI large (16 bits). Si le commutateur 9 est sur ARRÊT, le lecteur fonctionne uniquement en mode SCSI étroit (8 bits).

Remarque : Si le commutateur 9 est sur ARRÊT, le lecteur ne peut utiliser que les valeurs 0 à 7 pour son numéro d'identification SCSI.

Chaîne d'interrogation (commutateur 10)

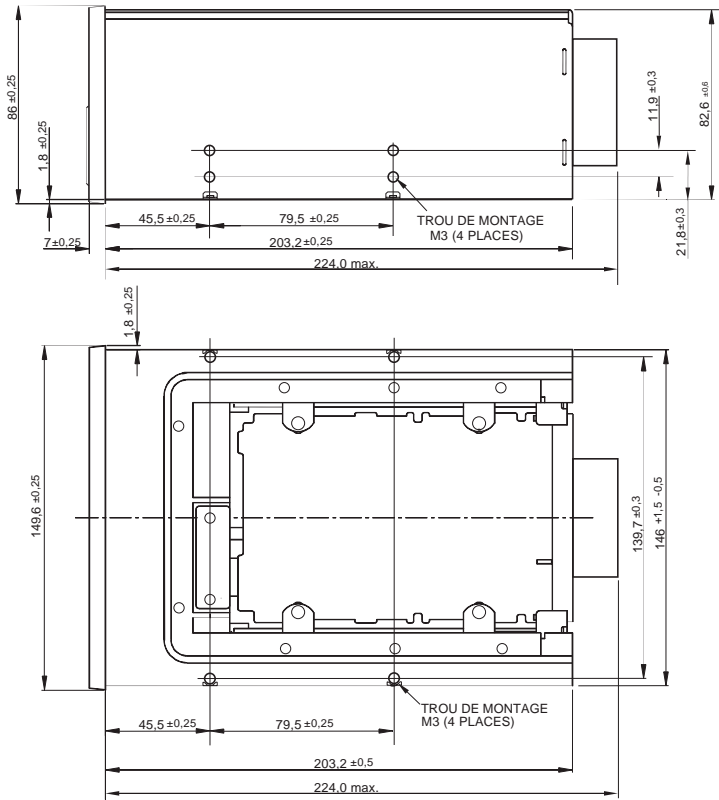
Le commutateur 10 permet de sélectionner le numéro d'identification du fabricant (Vendor ID) que le lecteur renvoie quand il est interrogé par une commande d'interrogation SCSI. Quand le commutateur 10 est sur MARCHÉ (réglage par défaut), le numéro d'identification du fabricant (Vendor ID) est « SEAGATE DAT ». Quand le commutateur 10 est sur ARRÊT, le numéro d'identification du fabricant est « ARCHIVE Python ». Le numéro d'identification « ARCHIVE Python » peut être utilisé par des fabricants de logiciels indépendants afin d'assurer la comptabilité de leurs logiciels avec les précédents modèles de lecteurs de bandes DDS de Seagate.

Montage de l'autochargeur interne

Le Scorpion 240 doit être monté horizontalement dans une baie pleine hauteur de 134 mm (5,25 pouces). Montez le lecteur en utilisant deux vis M3.0 de chaque côté ou en bas du lecteur, comme l'indique la figure 3. N'utilisez pas de vis de plus de 4 mm de long, afin de ne pas endommager le lecteur.

Remarque. Lors du montage du lecteur, rien ne doit bloquer le ventilateur aspirant ou les fentes de ventilation sur les faces inférieure et arrière de l'autochargeur.

Figure 3. Emplacement des trous de montage



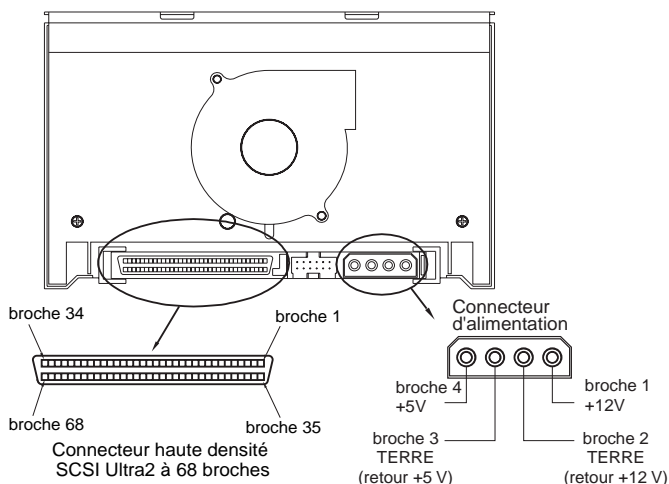
Branchement du câble de liaison SCSI

Mettez d'abord le lecteur et l'ordinateur hors tension. Fixez ensuite le câble SCSI interne large de 68 broches du contrôleur SCSI au connecteur SCSI à l'arrière de l'autochargeur. Vérifiez que la broche 1 du contrôleur et du câble SCSI est connectée à la broche 1 du lecteur. La figure 4 montre l'emplacement de la broche 1 SCSI sur le connecteur SCSI du lecteur. La broche 1 du câble SCSI est indiquée par une bande colorée.

Les lecteurs Scorpion 240 peuvent être utilisés avec deux types d'interface SCSI : Ultra2 SCSI (LVD) ou "Wide" SCSI (16-bit) monocorde. Le lecteur détecte automatiquement s'il est connecté à un bus LVD ou à un bus Wide SCSI monocorde.

Remarque : Le Scorpion 240 ne fonctionne pas dans un environnement SCSI-1.

Figure 4. Connecteurs de liaison sur un Scorpion 240 interne

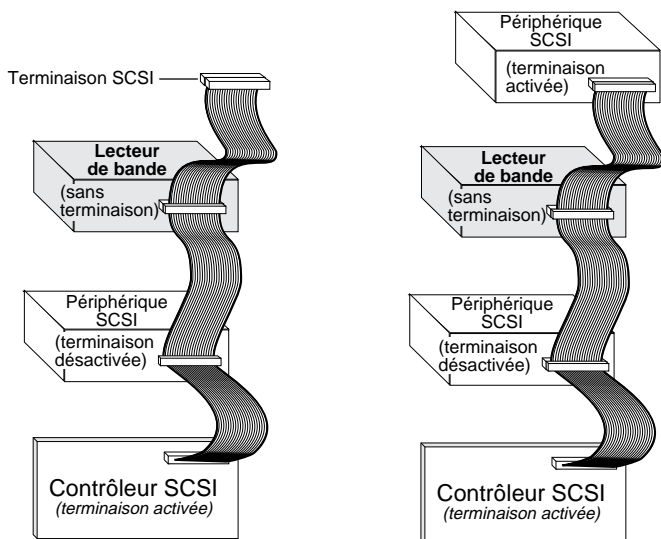


Terminaison SCSI

Le lecteur Scorpion 40 interne *n'assure pas* la terminaison SCSI ; il ne doit donc pas être installé en fin de chaîne SCSI. Deux exemples de terminaison sont illustrés à la figure 5

page suivante. Si le lecteur est le seul périphérique SCSI, reliez-le à l'avant-dernier connecteur sur la chaîne SCSI et fixez une charge multimode LVD/monocorde au dernier connecteur de la chaîne.

Figure 5. Deux exemples de terminaison SCSI pour le Scorpion 240 interne.



Branchement du cordon d'alimentation

Fixez un cordon d'alimentation de 5/12 volts à 4 broches au connecteur d'alimentation à l'arrière du lecteur. La figure 4 page précédente montre l'emplacement du connecteur d'alimentation.

Le connecteur d'alimentation à 4 broches recommandé pour le lecteur interne est doté d'un boîtier AMP 1-48024-0 muni de broches AMP 60617-1 ou équivalentes.

Installation de l'autochargeur externe

Le Scorpion 240 externe est une unité externe compacte qui se branche sur l'ordinateur hôte en tant que sous-système clé en main. L'installation du lecteur externe s'effectue en trois étapes simples :

1. Configuration du lecteur
2. Branchement du câble de liaison SCSI
3. Branchement du cordon d'alimentation

Configuration du Scorpion 240 externe

La configuration par défaut des Scorpion 240 externes utilise les paramètres suivants :

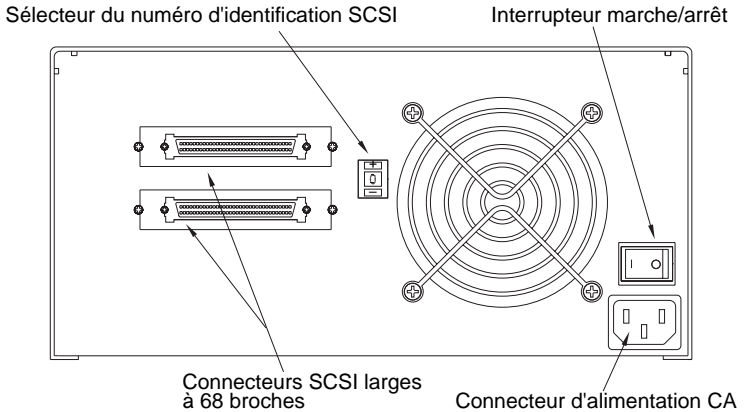
- **Numéro d'identification SCSI** : 6
- **Vérification du mode de reconnaissance des supports (MRS)** : activée.
- **Contrôle de parité** : activé.
- **Compression de données** : activée.
- **Diagnostics d'autotest à la mise sous tension** : activé.
- **Système d'exploitation de l'hôte** : Windows 95/98/NT/2000
- **Alimentation de terminaison** : fournie au bus SCSI.

Réglage du numéro d'identification SCSI

Assurez-vous que le lecteur est hors tension ; réglez ensuite son numéro d'identification SCSI en utilisant le bouton-poussoir à l'arrière du lecteur externe. La figure 6 illustre ce bouton-poussoir ainsi que les deux connecteurs de liaison SCSI, l'interrupteur marche/arrêt et le connecteur du cordon d'alimentation.

Remarque : Vous devez redémarrer le lecteur pour activer le nouveau numéro d'identification SCSI.

Figure 6. Panneau arrière du Scorpion 240 externe



Branchement du câble de liaison SCSI

Le Scorpion 240 présente deux connecteurs blindés de 68 broches sur le panneau arrière du châssis. Les deux connecteurs peuvent être utilisés pour la connexion d'entrée (SCSI IN) ou de sortie (SCSI OUT). (L'un et l'autre connecteurs permettent de relier le lecteur à l'ordinateur hôte ou à un autre dispositif SCSI.)

Mettez l'ordinateur et tous les périphériques SCSI hors tension. Puis reliez un câble SCSI entre l'adaptateur central ou un autre dispositif SCSI (sans terminaison), et le Scorpion 240.

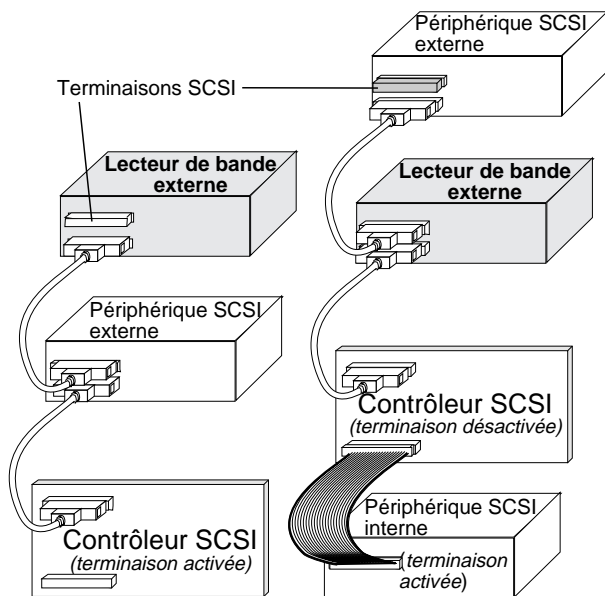
Remarque : Le Scorpion 240 ne fonctionne pas dans un environnement SCSI-1.

Terminaison SCSI

Si le Scorpion 240 est le seul ou dernier dispositif d'une chaîne SCSI, vous devez installer une prise de terminaison sur le connecteur SCSI inutilisé. La figure 7 page suivante illustre deux exemples de terminaison SCSI. Vous pouvez acheter une terminaison destinée au Scorpion 240 (réf. n°

10006525-001) sur le Web à l'adresse
<http://buytape.seagate.com>.

Figure 7. Exemples de terminaison SCSI pour le Scorpion 240 externe.



Exemple 1 : Terminaison SCSI dans un système ne comportant que des périphériques SCSI externes

Exemple 2 : Terminaison SCSI dans un système comportant des périphériques SCSI internes et externes

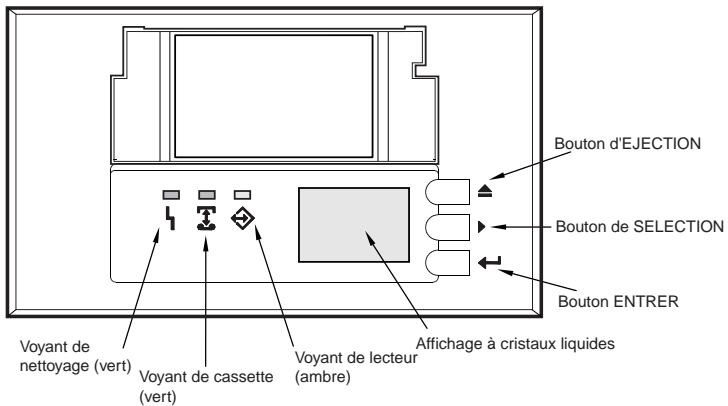
Branchement du cordon d'alimentation

Fixez solidement le cordon au connecteur d'alimentation à l'arrière du lecteur. L'emplacement de ce connecteur sur le lecteur externe est indiqué sur la figure 6, page B-20.

Utilisation et maintenance

Cette section décrit l'utilisation de l'autochargeur Scorpion 240 et des cassettes DDS-4. Elle explique également comment interpréter les divers voyants et l'affichage sur le panneau avant du lecteur (figure 8).

Figure 8. Vue avant de l'autochargeur interne Scorpion 240 (le lecteur externe est semblable)



Démarrage de l'autochargeur

Avant de mettre en route l'ordinateur, mettez sous tension tous les périphériques qui lui sont reliés. Les événements suivants doivent se produire lors du démarrage initial de l'autochargeur :

1. Les voyants de nettoyage, de cassette et de lecteur s'allument pendant deux secondes puis se mettent à clignoter.
2. Le numéro d'identification SCSI apparaît sur l'affichage à cristaux liquides, suivi du message « AUTOTEST EN COURS ».
3. Si un magasin a été chargé, le message « EXAMINE BANDE X » apparaît sur l'affichage à cristaux liquides pendant que le lecteur identifie les baies du magasin qui contiennent des cassettes.

4. Lorsqu'une cassette est reconnue par le lecteur, son numéro de baie apparaît sur l'affichage à cristaux liquides.
5. Une fois tous les tests terminés, le message « PRÊT » apparaît si un magasin a été chargé. Si aucun magasin n'a été chargé, le message « PAS DE MAGASIN » s'affiche.

Remarque. Si votre ordinateur ne reconnaît pas l'autochargeur, vous devrez charger l'autochargeur qui convient à votre logiciel de sauvegarde. Voir le manuel d'installation de votre logiciel pour plus d'informations.

Utilisation des cassettes et des magasins

Collage des étiquettes

Lors du collage d'étiquettes sur une cassette, observez les précautions suivantes pour empêcher la cassette de rester coincée dans l'autochargeur:

- Collez fermement les étiquettes dans les renforcements prévus à cet effet.
- Veillez à ce que les étiquettes ne débordent pas des renforcements et ne se replient pas sur les bords de la cassette.
- Ne collez pas une étiquette sur une autre.

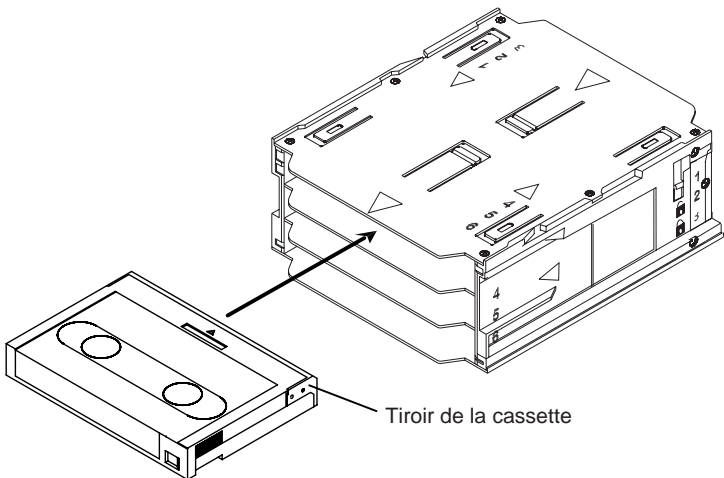
<p>Attention. Ne pas placer d'étiquette sur le magasin de l'autochargeur. Ceci risquerait d'entraîner un bourrage du mécanisme de la bande.</p>
--

Chargement des cassettes dans le magasin

Utilisez exclusivement des cassettes DDS agréées dans le Scorpion 240. Les cassettes agréées par Seagate sont répertoriées page B-40. Procédez comme suit pour charger les cassettes dans le magasin :

1. Assurez-vous que les cassettes sont protégées en écriture ou que l'écriture est possible, suivant le cas. Voir page B-42 pour plus de détails.
2. Tenez le magasin de manière à ce que les numéros des baies sur le côté du magasin soient lisibles de gauche à droite.
3. Introduisez la cassette dans le magasin en plaçant la baie en face du tiroir, comme l'illustre la figure 9.

Figure 9. Introduction d'une cassette dans le magasin de l'autochargeur



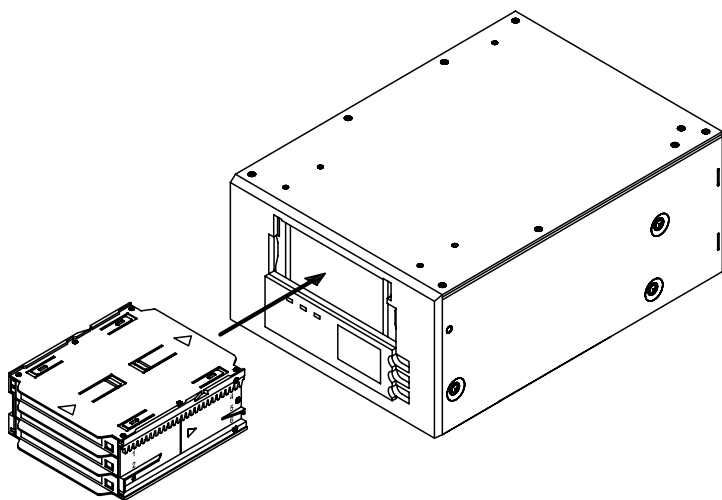
Chargement du magasin dans l'autochargeur

Précautions. *Ne pas charger un magasin si tous les voyants clignotent. Ceci indique que le lecteur est en train d'effectuer un autotest à la mise sous tension.*

1. Assurez-vous que le lecteur est sous tension et fonctionne normalement.
2. Tenez le magasin de manière à ce que les numéros des baies soient lisibles de gauche à droite.

3. Protégez le magasin en écriture ou bien permettez l'écriture, suivant le cas. Voir page B-42 pour plus de détails.
4. Introduisez le magasin dans l'autochargeur en orientant les triangles vers la baie de l'autochargeur, à l'exemple de la figure 10. Poussez doucement le magasin dans la baie de l'autochargeur jusqu'à ce que le magasin soit reconnu par le mécanisme de l'autochargeur et tiré à l'intérieur.

Figure 10. Chargement du magasin dans l'autochargeur



Éjection d'une cassette ou d'un magasin

Pour éjecter le magasin de l'autochargeur, appuyez sur le bouton d'éjection. Si le lecteur contient une cassette, l'écran à cristaux liquide affiche le message « ÉJECTER? APPUYER ENTRER ». Appuyez sur le bouton Entrer et attendez la fin des événements suivants :

1. La bande se rembobine jusqu'au repère BOP de début de partition.
2. Si la cassette de bande n'est pas protégée en écriture (c'est-à-dire si elle n'est pas lecture seule), le système

d'exploitation réécrit sur la bande la copie mise à jour du journal de bande.

3. La bande se rembobine jusqu'au repère BOM de début de cassette mais n'est pas mise en place.
4. Le chargeur remet la cassette dans le magasin.
5. Le magasin est éjecté.

Si le lecteur de bande ne contient aucune cassette, l'éjection du magasin se fait sans délai.

Forcer une éjection

Si vous appuyez sur le bouton d'éjection alors que le lecteur de bande est occupé, ce dernier finit d'abord la tâche en cours avant de répondre à la demande d'éjection. De cette manière, aucune donnée n'est perdue.

Dans certains cas extrêmes, il peut cependant s'avérer nécessaire de forcer une éjection pour décharger une cassette, au risque de perdre des données sur la cassette. L'éjection forcée *ne* doit être tentée *que* s'il n'y a pas d'autre moyen de récupérer une cassette.

Précautions. Dans le cas d'une éjection forcée, la cassette peut devenir illisible et un effacement ou une réinitialisation par le logiciel de l'application peut s'avérer nécessaire.

Vous pouvez également forcer une éjection lorsque vous devez éjecter le magasin et que le lecteur ne contient aucune cassette. Si vous forcez une éjection alors qu'aucune cassette n'est chargée, l'autochargeur attend 35 secondes, éjecte le magasin puis effectue une réinitialisation comme s'il avait été mis hors puis sous tension.

Pour forcer une éjection, maintenez le bouton d'éjection enfoncé pendant au moins cinq secondes, puis relâchez-le. Lors d'une éjection forcée, les événements suivants se produisent :

Si le lecteur contient une cassette, le panneau d'état affiche le message « DÉCHARGE BANDE X », X représentant le

numéro de la baie contenant la cassette. Une fois que la cassette est de retour au magasin, le message « ÉJECTE MAGASIN » s'affiche et le magasin est éjecté.

Remarque. Étant donné que l'éjection forcée est susceptible d'interrompre une opération, le lecteur de bande risque de ne pas écrire le repère EOD de fin de données sur la bande avant l'éjection de la cassette. Dans ce cas, la bande risque d'être formatée de manière incorrecte, ce qui peut entraîner une perte de données. Dans la plupart des cas, les données peuvent cependant être lues jusqu'à l'endroit de l'erreur si la bande est correctement formatée.

Si l'éjection forcée ne parvient pas à retirer la cassette ou le magasin, contactez l'assistance technique Seagate.

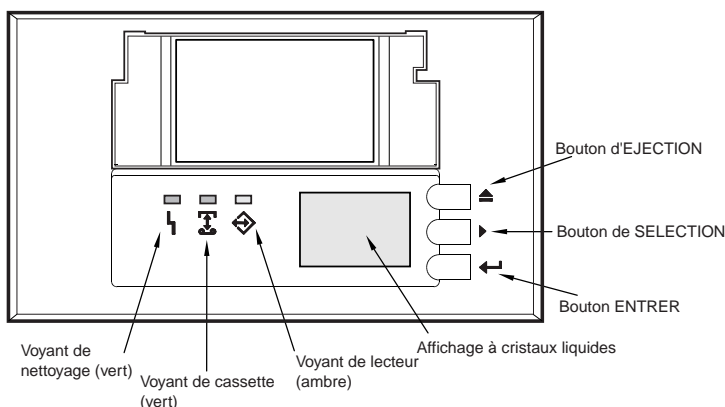
Chargement automatique et manuel d'une cassette

Une fois que les cassettes ont été chargées dans le magasin et que ce dernier a été introduit dans la baie, l'autochargeur peut effectuer indéfiniment des opérations d'écriture ou de lecture sans surveillance (sous le contrôle de votre logiciel de sauvegarde).

Pour charger une cassette manuellement, appuyez sur le bouton de SELECTION pour sélectionner la baie de chargement voulue, puis appuyez sur le bouton ENTRER.

A propos des boutons du panneau avant

Cette section décrit les fonctions des boutons de l'autochargeur. Ces boutons sont représentés sur la figure 11 à la page suivante.

Figure 11. Panneau avant de l'autochargeur

Bouton d'éjection

Utilisez le bouton d'éjection pour éjecter le magasin ou pour décharger une cassette du lecteur. Après avoir appuyé sur le bouton d'éjection, vous devez appuyer sur le bouton Entrer pour confirmer votre demande.

Bouton de sélection

Vous pouvez utiliser le bouton de sélection pour sélectionner des cassettes de bandes individuelles en fonction de leur numéro de baie (1 à 6), pour faire défiler des éléments à partir de menus sur l'affichage à cristaux liquides et pour accéder aux menus du chargeur si aucun magasin n'est installé.

Bouton Entrer

Vous pouvez utiliser le bouton Entrer pour sélectionner des éléments spécifiques à partir de menus sur l'affichage à cristaux liquides, pour charger une cassette dans le lecteur (après avoir sélectionné la cassette à l'aide du bouton de sélection) ou pour confirmer l'éjection du magasin lorsque le lecteur contient une cassette.

A propos des voyants lumineux du panneau avant

Comme le montre la figure 11 ci-dessus, le panneau avant de l'autochargeur Scorpion 240 comporte trois voyants lumineux qui donnent des informations dans des conditions de

fonctionnement normal et d'erreur. Voir ci-dessous et pages suivantes pour un récapitulatif de la signification des voyants lumineux.

Voyant de nettoyage

Le voyant de nettoyage fonctionne de la façon suivante :

- Si le voyant de nettoyage est allumé en mode fixe, le lecteur a besoin d'être nettoyé. Utilisez une bande de nettoyage agréée par Seagate pour le nettoyage du lecteur, comme décrit en page B-38.
- Le voyant de nettoyage clignote lentement pour indiquer que la cassette introduite a dépassé un seuil d'erreur passagère prédéfini. Il s'agit uniquement d'un signal de mise en garde qui n'indique pas de perte des données. A l'apparition de ce signal, éjectez la bande à un moment opportun et nettoyez le lecteur en utilisant une bande de nettoyage DDS agréée par Seagate. Si le voyant clignote toujours après le nettoyage du lecteur et la réinsertion de la cassette de données initiale, vous devez utiliser une nouvelle bande pour vos sauvegardes ultérieures.

Voyant de cassette

Le voyant de cassette fonctionne de la façon suivante :

- Si le voyant de cassette est allumé en mode fixe, il signale qu'une cassette DDS est introduite et que le lecteur fonctionne normalement.
- Si le voyant de cassette clignote rapidement, le lecteur n'a pas pu écrire normalement sur la bande (le nombre de tentatives maximum a été dépassé) et l'écriture a échoué. Nettoyez les têtes de lecture à l'aide d'une bande de nettoyage DDS agréée. Si le voyant clignote toujours après la réintroduction de la bande initiale, insérez une nouvelle bande de données dans le lecteur et recommencez l'opération.

Remarque : Nettoyez les têtes de lecture dans le cadre d'un entretien périodique toutes les 25 heures d'utilisation pour les bandes DDS-1

ou DDS-2, ou toutes les 50 heures pour les bandes DDS-3 ou DDS-4.

Voyant du lecteur

Le voyant du lecteur fonctionne de la façon suivante :

- Le voyant du lecteur est allumé en mode fixe quand le lecteur lit ou écrit des données sur la bande (indiquant donc une activité d'interface SCSI ou de cassette).

Précautions. L'utilisation du bouton d'éjection alors que le voyant du lecteur est actif provoque une interruption des tâches effectuées par l'hôte, entraînant ainsi une erreur de l'application. Si une opération d'écriture est interrompue de cette manière, l'utilisation du reste de la bande peut ensuite s'avérer impossible.

Remarque : Si une commande SCSI de prévention de retrait de cassette a été émise, le voyant du lecteur reste actif et le bouton d'éjection est éteint, ce qui empêche l'éjection accidentelle de la bande.

- Le voyant du lecteur clignote rapidement pour signaler une panne matérielle. Si cela se produit immédiatement après la mise sous tension du lecteur, le commutateur d'autotest à la mise sous tension est activé et l'autotest a échoué. Tous les voyants lumineux du panneau avant clignotent. Si cela se produit, contactez le service d'assistance technique de Seagate. Si le voyant du lecteur clignote rapidement pendant le fonctionnement, essayez de retirer la bande en appuyant sur le bouton d'éjection. Si la bande ne s'éjecte pas dans les deux minutes, appuyez sur le bouton d'éjection et maintenez-le enfoncé pendant plus de 5 secondes. La bande doit s'éjecter dans les 40 secondes. Contactez le support technique de Seagate pour plus d'informations.

Signification des voyants lumineux

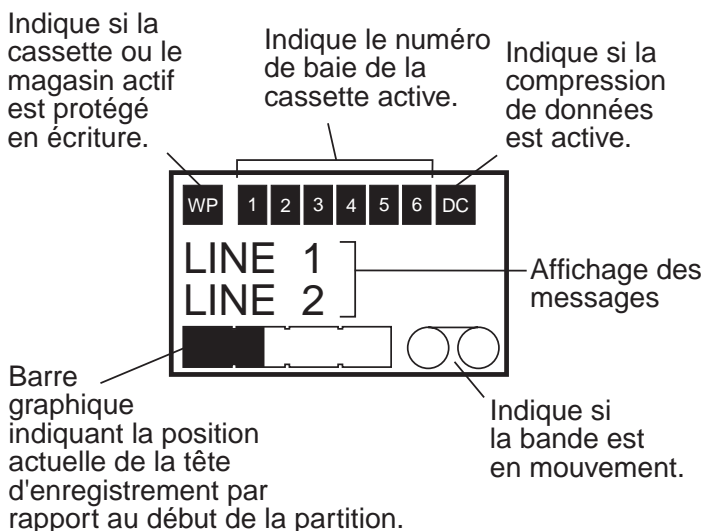
Le tableau suivant récapitule la signification des voyants lumineux pour le Scorpion 240.

Voyant	Action	Signification
Nettoyage	MARCHE (allumé)	Le lecteur a besoin d'être nettoyé car il a été utilisé pendant au moins 25 heures (DDS-1 et DDS-2) ou 50 heures (DDS-3 ou DDS-4).
	Clignote lentement	Le seuil d'erreur interne a été dépassé et un nettoyage est nécessaire.
	Clignote	La bande de nettoyage dans le lecteur a dépassé sa durée de vie utile. Remplacez l'ancienne cassette par une neuve.
Cassette	MARCHE (allumé)	La cassette est insérée ; elle ne génère pas un nombre excessif d'erreurs.
	Clignote	Le lecteur n'a pas pu écrire normalement sur la bande (erreur d'écriture). Utilisez une bande de nettoyage DDS pour nettoyer le lecteur.
Lecteur	MARCHE (allumé)	Le lecteur procède normalement à la lecture et écriture de la bande.
	Clignote rapidement	Une panne matérielle s'est produite.

A propos de l'affichage à cristaux liquides du panneau avant

La figure 12 illustre les types d'informations qui apparaissent sur l'affichage à cristaux liquides du panneau avant.

Figure 12. Fonctions de l'affichage à cristaux liquides



Rétroéclairage de l'affichage à cristaux liquides

Le rétroéclairage de l'affichage à cristaux liquides s'allume automatiquement à la mise sous tension initiale de l'autochargeur et à chaque activation d'un bouton du panneau avant. Le rétroéclairage subsiste pendant deux minutes puis s'éteint automatiquement (sauf si un bouton du panneau avant est activé).

Messages de l'affichage à cristaux liquides

Le tableau des pages suivantes dresse la liste des messages susceptibles de s'afficher. Ces messages sont répertoriés par ordre alphabétique. Un « X » indique le numéro de la cassette active.

Message de l'affichage à cristaux liquides	Description
PROBLEME D'INSTALL DE LA CASS	Une cassette a été introduite de manière incorrecte dans le magasin. Éjectez le magasin de l'autochargeur (voir page B-26), puis retirez la cassette du magasin et réintroduisez-la correctement.
VÉRIFIER TIROIR	Le tiroir de l'autochargeur est ouvert.
NETTOYAG EN COURS	L'autochargeur est en train de charger une bande de nettoyage dans le lecteur.
NETTOYAG REQUIS	Le lecteur de bande a besoin d'être nettoyé.
TIROIR VERROUIL	Le tiroir de l'autochargeur est verrouillé.
TIROIR DÉVERR.	Le tiroir de l'autochargeur est déverrouillé.
ERREUR LECTEUR 04/XX/XX	Problème avec le lecteur de bande. Pour plus d'informations, contactez le support technique Seagate.
EFFACE BANDE X	Le lecteur de bande est en train d'effacer la cassette de bande de la baie X.
ÉJECTE MAGASIN	L'autochargeur est en train d'éjecter le magasin de cassettes.
ÉJECTER? APPUYER ENTRER	Une cassette se trouve dans le lecteur et le bouton d'éjection a été activé. Une confirmation de l'éjection est requise avant de pouvoir éjecter la cassette.
ÉJECTION BLOQUÉE	L'autochargeur empêche d'éjecter le magasin car le logiciel a reçu une commande de prévention de retrait de cassette.
PANNE VENTILAT	Problème avec le ventilateur de l'autochargeur. Contactez le support technique Seagate.
INSÉRER MAGASIN VIDE	L'autochargeur ne parvient pas à décharger une cassette sur le magasin car le magasin de l'autochargeur est plein. Éjectez le magasin puis introduisez un magasin vide dans l'autochargeur. Pour plus d'informations sur l'éjection d'un magasin, voir « Éjection d'un magasin » page B-26.
ERREUR CHARGEUR 04/XX/XX	Problème avec le matériel de l'autochargeur. Pour plus d'informations, contactez le support technique Seagate.
CHARGE BANDE X	Le lecteur de bande est en train de charger la cassette de bande de la baie X.
ERREUR MÉDIA 03/XX/XX	Problème avec la cassette de bande. Pour plus d'informations, contactez le support technique Seagate.

Message de l'affichage à cristaux liquides	Description
PAS DE MAGASIN	L'autochargeur ne contient aucun magasin.
LECTURE BANDE X	Le lecteur de bande est en train de lire une bande.
PRÊT	L'autochargeur a examiné toutes les baies du magasin ; il est prêt à effectuer une action.
BANDE X PRÊTE	Le lecteur de bande comporte une cassette et l'autochargeur est prêt à accepter des commandes.
CHANGER BANDE DE NETTOYAG	La bande de nettoyage n'est plus utilisable et doit être remplacée.
REBOBIN BANDE X	Le lecteur de bande est en train de rembobiner la cassette de bande de la baie X.
EXAMINE BANDE X	L'autochargeur est en train d'effectuer un examen séquentiel des baies du magasin.
CHERCHE BANDE X	Le lecteur de bande est en train de rechercher la cassette de bande de la baie X.
SÉLECT X APPUYER ENTRER	Ce message s'affiche lorsque vous appuyez sur le bouton de sélection. Appuyez de manière répétée sur ce bouton pour afficher le numéro de la cassette voulue (X), puis appuyez sur le bouton Entrer pour charger la cassette sélectionnée dans le lecteur.
SÉLECT. BLOQUÉE	L'autochargeur vous empêche de sélectionner une cassette à charger car une commande de prévention de retrait de cassette a été émise. Ceci empêche l'éjection de la cassette qui se trouve dans le lecteur.
DÉCHARGE BANDE X	Le lecteur de bande est en train de décharger la cassette de bande de la baie X.
MISE À JOUR DU PROGRAM.	Le programme de l'autochargeur ou du lecteur de bande est en train d'être mis à jour.
AUTOTEST EN COURS	Ce message s'affiche lorsque le lecteur de bande est en train d'effectuer un autotest à la mise sous tension lors du démarrage.
ÉCRITURE BANDE X	Le lecteur de bande est en train d'écrire sur la cassette de bande de la baie X.

Configuration des fonctions de l'autochargeur à l'aide de l'affichage à cristaux liquides

Pour configurer l'autochargeur à l'aide de l'affichage à cristaux liquides, assurez-vous d'abord que l'autochargeur ne comporte aucun magasin. Appuyez ensuite sur le bouton de sélection et maintenez-le enfoncé pendant cinq secondes. Vous pouvez ensuite utiliser le bouton de sélection pour parcourir tour à tour les menus suivants : VERSION, LANGUE, CONTRST (Contraste), AUTOCHG (Autochargement) et TIROIR. Chacun de ces menus est décrit ci-dessous. Pour afficher un menu particulier, sélectionnez l'article de menu et appuyez sur le bouton Entrer.

Menu Version

Dans le menu VERSION, vous pouvez utiliser le bouton de sélection pour afficher le nom de l'autochargeur, son numéro d'identification SCSI, le niveau du programme ainsi que le numéro de série de l'autochargeur.

Menu Langue

Le menu LANGUE permet d'activer l'affichage de messages par l'autochargeur en anglais, français, allemand, italien, portugais, japonais ou espagnol ; défilez vers la langue voulue et appuyez sur Entrer.

Menu Contraste

Le menu CONTRST vous permet d'accroître la luminosité de l'écran à cristaux liquides en appuyant de manière répétée sur le bouton Entrer jusqu'à obtention du niveau de contraste désiré. Pour assombrir l'écran à cristaux liquides, appuyez de manière répétée sur le bouton de sélection jusqu'à obtention du niveau de contraste désiré.

Menu Autochargement

Le menu AUTOCHG vous permet d'activer ou de désactiver le chargement automatique de cassettes de bandes du magasin dans le lecteur de bande.

Remarque. Cette fonction ne doit être utilisée pour automatiser le chargement des cassettes que si le logiciel d'application pris en charge par l'autochargeur *n'est pas* disponible.

La plupart des logiciels disponibles sur la plateforme Windows NT/2000 *prennent en charge* les commandes SCSI nécessaires au fonctionnement du chargeur. Dans cet environnement, nous vous conseillons de laisser le chargement automatique désactivé (état par défaut). Consulter le fournisseur de votre logiciel en cas de doute à propos de votre logiciel.

Dans les environnements Unix/Linux, par contre, les logiciels de sauvegarde peuvent ne pas prendre en charge directement l'autochargeur. Dans ce cas, la commande « hors ligne » permet de changer séquentiellement de bande (dans l'ordre numérique du numéro de baie). Dans les environnements Unix/Linux, activer le chargement automatique de la bande peut vous permettre de programmer une sauvegarde sans surveillance.

Pour activer la fonction d'autochargement de la bande depuis le menu Autochargement, sélectionnez « MARCHE » puis appuyez sur le bouton Entrer. Après l'introduction du magasin, la cassette 1 est automatiquement chargée dans le lecteur. Quand l'autochargement est activé, il est encore possible d'utiliser le bouton Sélectionner pour échanger des bandes, mais seulement de manière séquentielle (dans l'ordre numérique du numéro de baie).

Pour désactiver le mode d'autochargement depuis le menu Autochargement, sélectionnez « ARRÊT » puis appuyez sur le bouton Entrer. Quand l'autochargement est désactivé, les cassettes peuvent uniquement être chargées ou déchargées par le biais du panneau avant ou à l'aide d'un logiciel d'application pris en charge par l'autochargeur.

Menu Tiroir

Le menu TIROIR vous permet de verrouiller le tiroir de l'autochargeur en sélectionnant « VERROU. » et en appuyant sur le bouton Entrer. Vous pouvez le déverrouiller en sélectionnant « DÉVERR. » et en appuyant sur le bouton Entrer.

Nettoyage du lecteur de bande

Si des impuretés ou de la poussière magnétique s'accumulent sur une ou plusieurs têtes d'enregistrement, le lecteur risque de ne pas pouvoir écrire ou lire les informations sur la bande, ou encore de rencontrer un nombre excessif d'erreurs. En cas de dépassement du seuil de nettoyage, l'autochargeur affiche la demande de nettoyage de deux manières :

- Le message « NETTOYAG REQUIS » apparaît sur l'affichage à cristaux liquides.
- Le voyant de nettoyage reste continuellement en MARCHE (allumé).

Remarque. Un voyant de nettoyage à clignotement lent peut indiquer qu'une cassette est endommagée ou arrive en fin de vie. Si le clignotement persiste malgré le nettoyage de la tête d'enregistrement, remplacez la cassette.

Utilisez le tableau ci-dessous pour déterminer la fréquence de nettoyage de l'autochargeur.

Utilisation quotidienne (en heures)	Fréquence de nettoyage optimale (pour bandes DDS-4)
4	Deux fois par mois
8	Toutes les semaines
12 ou plus	Deux fois par semaine

Procédure de nettoyage

Pour nettoyer les têtes d'enregistrement du lecteur DDS-4, utilisez uniquement une bande de nettoyage pour lecteur DDS-4 agréée par Seagate. La bande de nettoyage Seagate modèle STDMCL peut être achetée sur Internet à l'adresse <http://buytape.seagate.com>.

Remarque. Le lecteur ne reconnaît pas les bandes de nettoyage DAT audio.

Nettoyage manuel

Vous pouvez nettoyer manuellement le lecteur en procédant comme suit :

1. Placez la bande de nettoyage dans une baie du magasin et introduisez le magasin dans l'autochargeur.
2. Utilisez le bouton de sélection pour sélectionner la baie contenant la bande de nettoyage.
3. Appuyez sur le bouton Entrer pour charger la bande de nettoyage dans le lecteur de bande. L'autochargeur démarre automatiquement le cycle de nettoyage.
4. A la fin du cycle de nettoyage, si la cassette n'est pas éjectée automatiquement, appuyez sur le bouton d'éjection pour renvoyer la cassette de nettoyage au magasin. Appuyez à nouveau sur le bouton d'éjection pour décharger le magasin et retirer la bande de nettoyage.
5. Enregistrez la date du nettoyage sur l'étiquette de la cassette.

A chaque chargement de la bande de nettoyage, le lecteur avance une nouvelle portion inutilisée de la bande jusqu'à couvrir toute la surface de la bande. Il ne rembobine pas les bandes de nettoyage. La cassette n'est plus utilisable après une trentaine de cycles de nettoyage. Vous devez en acheter une autre.

Si vous introduisez une bande de nettoyage qui n'est plus utilisable, le cycle de nettoyage ne peut être effectué. Le voyant de nettoyage se met à clignoter rapidement et le

message « CHANGER BANDE DE NETTOYAG » apparaît sur l'affichage à cristaux liquides. Dès lors, la bande de nettoyage n'est pas renvoyée au magasin, le voyant de nettoyage reste allumé et le message « NETTOYAG REQUIS » apparaît sur l'affichage à cristaux liquides. Dans ce cas, appuyez sur le bouton d'éjection pour retirer le magasin et remplacez l'ancienne bande de nettoyage.

Nettoyage automatique

Si votre logiciel de sauvegarde et restauration comporte une fonction de nettoyage des têtes d'enregistrement sur le lecteur de bande, vous pouvez l'utiliser pour nettoyer le lecteur. Certains logiciels sont pré-programmés pour utiliser la baie 6 pour nettoyer automatiquement le lecteur. Le logiciel demande au changeur de l'autochargeur de charger la cassette dans le lecteur de bande et démarre le cycle de nettoyage. A la fin du cycle de nettoyage, le lecteur de bande éjecte la bande de nettoyage et le changeur la ramène automatiquement jusqu'à la baie du magasin. Consultez la documentation de votre logiciel pour des détails.

Si vous introduisez une bande de nettoyage qui n'est plus utilisable, le cycle de nettoyage ne peut être effectué. Le message « REMPLACER BANDE NETTOYAGE » apparaît alors sur l'écran à cristaux liquides. Dès lors, la bande de nettoyage est renvoyée au magasin, le voyant de nettoyage reste allumé et les messages « REMPLACER BANDE NETTOYAGE » et « NETTOYAG REQUIS » apparaissent sur l'écran à cristaux liquides. Le logiciel ayant mené à bien toutes ses opérations, vous pouvez utiliser le bouton d'éjection pour retirer l'ancienne bande de nettoyage et insérer la nouvelle.

Cassettes DDS-4

Compatibilité des cassettes DAT

Les lecteurs DDS-4 de Seagate permettent d'utiliser les cassettes de données DDS ci-dessous :

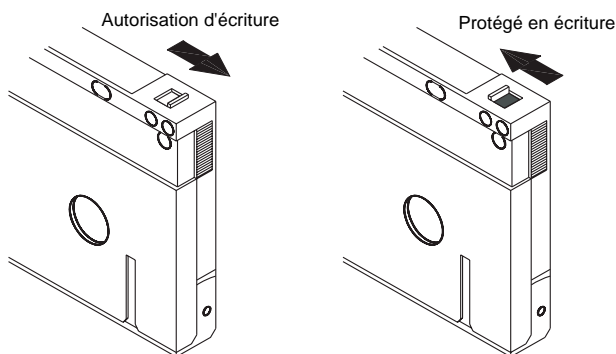
Remarque. Les cassettes DDS-1 de 60 mètres ne peuvent pas être utilisées avec ce lecteur.

- Modèle M32000
(DDS-1 : 90 mètres ; capacité de 2 Goctets sans compression)
- Modèle M34000
(DDS-2 : 120 mètres ; capacité de 4 Goctets sans compression)
- Modèle STDM24G
(DDS-3 : 125 mètres ; capacité de 12 Goctets sans compression)
- Modèle STDM440
(DDS-4 : 150 mètres ; capacité de 20 Goctets sans compression)

Protection en écriture de la cassette DAT et du magasin

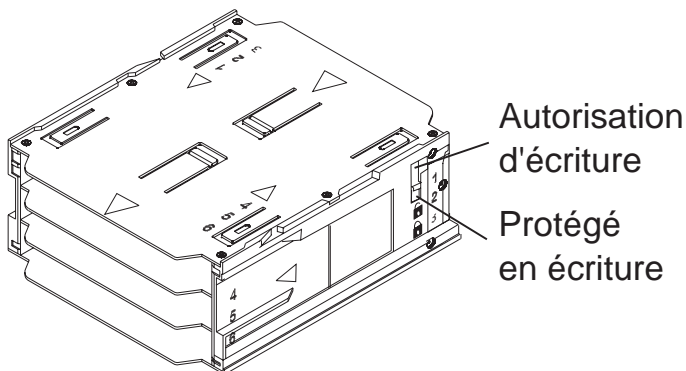
La figure 13 montre comment activer ou annuler la protection en écriture d'une cassette DAT en faisant glisser l'onglet de protection. L'enregistrement des données n'est possible que si l'onglet de protection est refermé.

Figure 13. Onglet de protection en écriture sur une cassette DAT



La figure 14 montre comment protéger en écriture un magasin Scorpion 240. Pour permettre l'écriture sur le magasin, déplacez le commutateur vers le haut. Pour protéger en écriture toutes les bandes du magasin, déplacez le commutateur vers le bas.

Figure 14. Commutateur de protection en écriture du magasin de l'autochargeur



Préparation de l'expédition

Avant d'expédier le Scorpion 240, vous devez verrouiller le tiroir de l'autochargeur afin d'éviter tout dommage au lecteur. Procédez comme suit pour verrouiller le tiroir, dernière étape avant d'éteindre l'autochargeur.

1. Assurez-vous que l'autochargeur ne comporte aucun magasin. Le message « PAS DE MAGASIN » doit apparaître sur l'affichage à cristaux liquides.
2. Appuyez sur le bouton de sélection et maintenez-le enfoncé pendant cinq secondes. Le menu suivant doit normalement apparaître sur l'affichage :
> VERSION
LANGUE
CONTRAST

3. Appuyez quatre fois sur le bouton de sélection. Le curseur (>) descend pour se positionner sur le mot « TIROIR », comme illustré ci-dessous.
CONTRAST
AUTOCHG
> TIROIR
4. Appuyez sur le bouton Entrer. Le sous-menu suivant doit normalement apparaître sur l'affichage :
TIROIR
> VERROU.
DÉVERR.
5. Appuyez une fois sur le bouton de sélection pour positionner le curseur sur « VERROU. », puis appuyez sur le bouton Entrer. L'affichage retrouve le menu illustré à l'étape 3 ci-dessus.
6. Patientez cinq secondes. Le message « PAS DE MAGASIN » apparaît à nouveau sur l'écran d'affichage à cristaux liquides. Au bout de cinq autres secondes, le message « TIROIR VERROUIL » apparaît.
7. Éteignez l'autochargeur.
8. Tapotez sur le tiroir pour vérifier qu'il est bien verrouillé.

Le tiroir est maintenant fermé et verrouillé et l'autochargeur est prêt à être emballé et expédié. Le tiroir est automatiquement déverrouillé au redémarrage du lecteur.

Configuration pour les systèmes d'exploitation UNIX, Novell et Windows NT

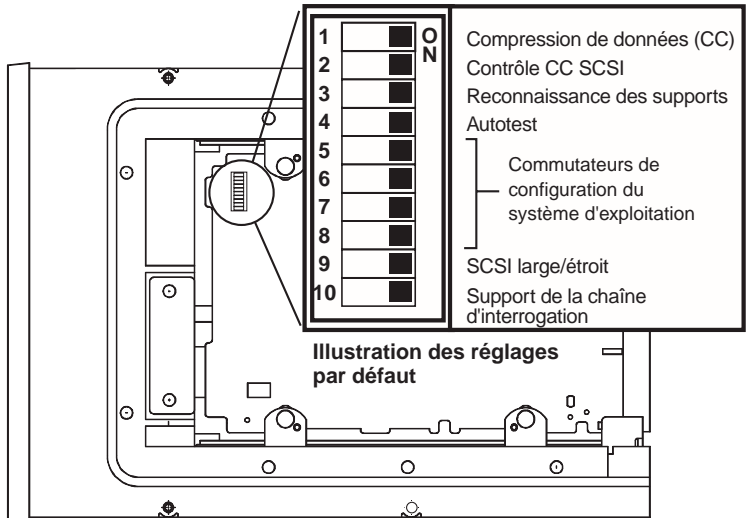
Cette section explique comment configurer le Scorpion 240 en vue d'une utilisation avec divers systèmes d'exploitation UNIX, Novell et Windows NT.

Commutateurs de configuration du système d'exploitation

La Figure 15 montre la position des commutateurs de configuration du système d'exploitation (commutateurs 5 à 8) situés sur le dessous du lecteur interne.

Remarque : Si vous souhaitez utiliser le lecteur avec un système d'exploitation autre que ceux décrits ici, laissez ces commutateurs dans leurs positions par défaut.

Figure 15
Commutateurs de configuration du système d'exploitation situés sous le Scorpion 240



Configuration pour l'environnement Windows NT

Si vous utilisez Windows NT 4.0 avec le pilote 4mmDAT.SYS de Microsoft, vous *devez* régler le commutateur 10 (commutateur de chaîne d'interrogation) sur ARRÊT. Si vous utilisez le pilote STDAT4.SYS de Seagate, vous pouvez laisser le commutateur 10 dans sa position par défaut (MARCHE). Indépendamment du pilote utilisé, les quatre commutateurs de configuration du système d'exploitation doivent tous se trouver sur MARCHE (positions par défaut).

Configuration pour les environnements Novell

La tableau ci-dessous indique les positions de commutateurs à utiliser avec divers systèmes d'exploitation et pilotes Novell. Ces configurations sont décrites plus en détail dans les paragraphes qui suivent.

Système d'exploitation / pilote de bande	Commutateur 5	Commutateur 6	Commutateur 7	Commutateur 8
Novell 4.11 avec applet de sauvegarde native et pilote TAPEDA1 ou pilote NWTAPE.CDM antérieur au 3/11/99	ARRÊT	MARCHE	MARCHE	ARRÊT
Novell 4.11 avec applet de sauvegarde native et pilote NWTAPE ultérieur au 3/11/99	MARCHE	MARCHE	MARCHE	MARCHE
Novell 5.x avec applet de sauvegarde native et pilote NWTAPE.CDM antérieur au 3/11/99	ARRÊT	MARCHE	MARCHE	ARRÊT
Novell 5.x avec applet de sauvegarde native et pilote NWTAPE.CDM ultérieur au 3/11/99	MARCHE	MARCHE	MARCHE	MARCHE

Novell 4.11

Il y a deux manières possibles de configurer le Scorpion 240 avec Novell 4.11, selon le pilote de bande que vous utilisez.

Configuration 1 : Si vous utilisez le pilote TAPEDAI existant de Novell ou une version du pilote NWTAPE créée avant le 3/11/99, vous devez changer les commutateurs de configuration de système d'exploitation pour placer les commutateurs 5 et 8 sur ARRÊT, comme le montre le tableau ci-dessus. Cette configuration est différente du réglage par défaut (tous les commutateurs sur MARCHE).

Configuration 2 : Si vous utilisez le *tout dernier* pilote NWTAPE de Novell (disponible sur le site Web de Novell), laissez les commutateurs de configuration de système d'exploitation dans leurs positions par défaut (tous les commutateurs sur MARCHE). Depuis le poste de travail administrateur, placez le nouveau pilote NWTAPE dans le même répertoire que le pilote TAPEDAI (généralement le répertoire système). Modifiez tous les fichiers .ncf, comme autoexec.ncf, qui font référence au pilote TAPEDAI et remplacez tous les appels à TAPEDAI par NWTAPE. N'effacez pas le pilote TAPEDAI, car il peut s'avérer utile pour résoudre des problèmes éventuels.

Novell 5.x

Il y a deux manières possibles de configurer le Scorpion 240 avec Novell 5.x, selon le pilote de bande que vous utilisez.

Configuration 1 : Si vous utilisez encore le pilote NWTAPE d'origine de Novell ou une version de ce pilote créée avant le 3/11/99, vous devez changer les commutateurs de configuration de système d'exploitation pour placer les commutateurs 5 et 8 sur ARRÊT, comme le montre le tableau au verso. Cette configuration est différente du réglage par défaut (tous les commutateurs sur MARCHE).

Configuration 2 : Si vous utilisez le *tout dernier* pilote NWTAPE de Novell (disponible sur le site Web de Novell), vous pouvez laisser les commutateurs de configuration de système d'exploitation dans leurs positions par défaut (tous

les commutateurs sur MARCHE). Avant d'installer le nouveau pilote NWTAPE, renommez l'ancien pilote NWTAPE (qui se trouve généralement dans le répertoire système). Copiez ensuite la nouvelle version de NWTAPE dans le même répertoire. N'effacez pas le pilote, car il peut s'avérer utile pour résoudre des problèmes éventuels.

Configuration pour l'environnement UNIX DEC

Positions des commutateurs

Avant d'utiliser le Scorpion 240 dans un environnement UNIX DEC, réglez les commutateurs de système d'exploitation comme indiqué ci-dessous :

	Commu- tateur 5	Commu- tateur 6	Commu- tateur 7	Commu- tateur 8
Position	ARRÊT	MARCHE	MARCHE	MARCHE

Digital UNIX, versions 4.0 et ultérieures

Avec la version 4.0 de son système d'exploitation UNIX, DEC a introduit une nouvelle méthode de configuration du pilote CAM SCSI. Modifiez le fichier **/etc/ddr.dbase** de la manière suivante :

1. Recherchez dans le fichier l'entrée de base de données pour le lecteur de DAT DEC TLZ07.
2. Copiez cette entrée et collez-la plus loin dans le fichier, en veillant à respecter la syntaxe du fichier.
3. Modifiez cette nouvelle entrée comme indiqué ci-dessous.

```
SCSIDEVICE
#
Type = tape
Name = "SEAGATE" "DAT"
#
PARAMETERS:
    TypeSubClass      = rdat
    TagQueueDepth     = 0
    MaxTransferSize   = 0x0fffffff # (16 Mo - 1)
    ReadyTimeSeconds  = 60          # secondes

DENSITY:
#
DensityNumber = 0,3,3,4,5,6,7
DensityCode = default
CompressionCode = 0x0
Buffered = 0x1
```

```
DENSITY:
#
DensityNumber = 1,2
DensityCode = default
CompressionCode = 0x1
Buffered = 0x1
```

4. Enregistrez le fichier de base de données.
5. Lancez la commande suivante : **ddr_config -c**. Cette commande prend le fichier d'entrée par défaut, `ddr.dbase`, et crée une nouvelle base de données de périphériques. Cette nouvelle base de données de périphériques prend effet immédiatement ; il est donc inutile de reconstruire le noyau.

Digital UNIX, versions antérieures à 4.0.

Configurez le système en modifiant le fichier **cam_data.c**. Il est situé dans `/usr/sys/data` ou dans `/sys/data`, suivant la configuration du système. Modifiez le fichier `cam_data.c` comme suit :

1. Recherchez dans le fichier l'entrée de base de données correspondant au lecteur "TLZ07 - RDAT".
2. Copiez cette entrée et collez-la plus loin dans le fichier, en veillant à respecter la syntaxe de la source C.
3. Modifiez cette nouvelle entrée comme indiqué ci-dessous.

```
/* Seagate DAT Drive Returning "SEAGATE DAT" Inquiry */
{"SEAGATE DAT", 14, DEV_TLZ07,
 (ALL_DTYPE_SEQUENTIAL << DTYPE_SHFT) | SZ_RDAT_CLASS,
 (struct pt_info *)ccmn_null_sizes, SZ_NO_BLK, (DEC_MAX_REC - 1),
 &tlz07_dens, NO_MODE_TAB, SZ_NO_FLAGS,
 NO_OPT_CMDS, SZ_READY_DEF, SZ_NO_QUE,
 DD_REQSNS_VAL | DD_INQ_VAL, 36, 64
},
```

4. Reconstituez le noyau à l'aide du script *doconfig*. Réamorçez le système.

Configuration pour l'environnement UNIX Sun

Positions des commutateurs

Avant d'utiliser le Scorpion 240 dans un environnement UNIX Sun, réglez les commutateurs de système d'exploitation comme indiqué ci-dessous :

	Commu- tateur 5	Commu- tateur 6	Commu- tateur 7	Commu- tateur 8
Position	MARCHE	ARRÊT	MARCHE	MARCHE

Sun OS 4.1.x

Pour configurer SunOS 4.1.x afin d'utiliser le Scorpion 240, vous devez modifier les fichiers **stdef.h** et **st_conf.c** (dans le répertoire /usr/sys/scsi/ targets), puis reconstruire le dossier, comme indiqué ci-dessous :

1. Modifiez le fichier **stdef.h** en ajoutant une déclaration de définition pour le lecteur Seagate, comme celle indiquée ci-dessous :

```
#define ST_TYPE_SEAGATE_DAT <value>
```

Cette déclaration doit être ajoutée après la dernière déclaration de définition ST_TYPE_ du fichier. <value> représente la première valeur hexadécimale non utilisée. Cette valeur dépendra de la version et du nombre de périphériques pris en charge par le système. Si la dernière valeur utilisée pour un périphérique existant est 0x2d, par exemple, utilisez une valeur de 0x2e.

2. Modifiez le fichier **st_conf.c** en ajoutant les lignes suivantes à la fin de la liste des définitions de périphérique :

```
/*Seagate DAT drive support */
{
  "SEAGATE DAT", 7, "SEAGATE", ST_TYPE_SEAGATE_DAT, 10240,
  (ST_VARIABLE | ST_BSF | ST_BSR | ST_LONG_ERASE | ST_KNOWS_EOD),
  5000, 5000,
  {0x0, 0x8c, 0x8c, 0x8c},
  {0, 0, 0, 0}
}
```

3. Utilisez la commande *config* pour reconstruire le noyau en intégrant la définition du nouveau périphérique. Pour plus de détails, consultez la page *config* du manuel.

Solaris 2.x

1. Pour configurer Solaris 2 afin de le rendre compatible avec le Scorpion 240, ajoutez les lignes suivantes au fichier **st.conf** contenu dans le répertoire */kernel/drv*.

```
tape-config-list=  
"SEAGATE DAT    06240-XXX", "Seagate DAT Drive", "SEAGATE_DAT";  
SEAGATE_DAT = 1, 0x34, 0, 0xd639, 4, 0x00, 0x8C, 0x8C, 0x8C, 3;
```

Remarque : La chaîne d'interrogation ci-dessus comporte quatre espaces entre le mot `DAT` et la valeur `06240`.

2. Après avoir modifié le fichier **st.conf**, vous devez reconfigurer le noyau en amorçant le système à l'aide de la commande *boot -r*.

Configuration pour l'environnement SGI

Positions des commutateurs

Avant d'utiliser le Scorpion 240 dans un environnement UNIX SGI, réglez les commutateurs de système d'exploitation comme indiqué ci-dessous :

	Commu- tateur 5	Commu- tateur 6	Commu- tateur 7	Commu- tateur 8
Position	MARCHE	MARCHE	MARCHE	MARCHE

Remarque : La principale différence entre la prise en charge des lecteurs de bande dans Irix 5.x et 6.x est l'introduction de la sélection du mode de compression de données via le logiciel dans Irix version 6.2. Avec Irix 5.x, le lecteur fonctionne toujours dans le mode de compression déterminé par le commutateur 6 situé en bas du lecteur (arrêt=compression activée (défaut), marche=compression désactivée).

Irix V5.x

Pour configurer Irix 5.x afin d'utiliser le Scorpion 240, vous devez modifier le fichier `/var/sysgen/master.d/scsi` comme il est décrit ci-dessous :

1. Éditez le fichier `/var/sysgen/master.d/scsi` et ajoutez l'entrée suivante :

```
{DATTAPE,TPDAT,7,12,"SEAGATE","DAT    06240"/*DAT*/,0,0,{0,0,0,0},
MTCAN_BSF|MTCAN_BSR|MTCAN_APPEND|MTCAN_SETMK|MTCAN_PART|MTCAN_PREV|
MTCAN_SYNC|MTCAN_SPEOD|MTCAN_CHKRDY|MTCAN_VAR|MTCAN_SETSZ|
MTCAN_SILI|MTCAN_SEEK|MTCAN_CHTYPEANY,
/* minimum delay on i/o is 12 minutes, to allow the Drives
* full error recovery sequence to be performed. */
40, 12*60, 12*60, 12*60, 512, 512*512 },
```


Remarque : La chaîne ci-dessus comporte quatre espaces entre le mot DAT et la valeur 06240.

2. Reconstituez le noyau à l'aide de la commande `autoconfig` (voir la page `autoconfig` du manuel pour plus de détails). Une fois le noyau reconstitué, redémarrez le système pour que les modifications prennent effet.

Remarque : Irix 5.3 et ultérieur détectera les modifications apportées et reconstituera automatiquement le noyau au prochain démarrage du système.

Irix V6.x à V6.5

Pour configurer Irix 6.x-6.5 afin d'utiliser un Scorpion 240, vous devez modifier les fichiers `/var/sysgen/master.d/scsi` et `/dev/MAKEDEV.d/TPS_base` comme décrit ci-dessous : Après avoir modifié ces fichiers, vous devrez reconstituer le noyau.

1. Éditez le fichier `/var/sysgen/master.d/scsi` et ajoutez l'une des entrées suivantes, selon votre version d'IRIX :

Pour IRIX V6.x à V6.4 :

```
{ DATTAPE, TPDAT, 7, 12, "SEAGATE", "DAT    06240" /*DAT*/, 0, 0, {0},
/* This drive uses mode select page 0xf for compression control;
 * most of the other drives supporting compression use page 0x10 */
MTCAN_BSF|MTCAN_BSR|MTCAN_APPEND|MTCAN_SETMK|MTCAN_PART|MTCAN_PREV|
MTCAN_SYNC|MTCAN_SPEOD|MTCAN_CHKRDY|MTCAN_VAR|MTCAN_SETSZ|
MTCAN_SILI|MTCAN_SEEK|MTCAN_CHTYPEANY|MTCAN_COMPRESS,
/* minimum delay on i/o is 12 minutes, to allow the Drives
 * full error recovery sequence to be performed. */
40, 12*60, 12*60, 12*60, 512, 512*512, 0, (u_char *)0 },
```

Pour IRIX V6.5 :

```
{ DATTAPE, TPDAT, 7, 12, "SEAGATE", "DAT    06240" /*DAT*/, 0, 0, {0},
/* This drive uses mode select page 0xf for compression control;
 * most of the other drives supporting compression use page 0x10 */
MTCAN_BSF|MTCAN_BSR|MTCAN_APPEND|MTCAN_SETMK|MTCAN_PART|MTCAN_PREV|
MTCAN_SYNC|MTCAN_SPEOD|MTCAN_CHKRDY|MTCAN_VAR|MTCAN_SETSZ|
MTCAN_SILI|MTCAN_SEEK|MTCAN_CHTYPEANY|MTCAN_COMPRESS,
/* minimum delay on i/o is 12 minutes, to allow the Drives
```

```

* full error recovery sequence to be performed. */
40, 12*60, 12*60, 12*60, 3*3600, 512, 512*512,
tpsc_default_dens_count, tpsc_default_hwg_dens_names,
tpsc_default_alias_dens_names,
{0},0,0,0,
0, (u_char *)0 },

```

2. Éditez le fichier **/dev/MAKEDEV.d/TPS_base** et apportez la modification suivante (cette modification n'est pas nécessaire sur les systèmes tournant sous IRIX 6.4 ou 6.5).

Recherchez la partie du code qui traite des lecteurs de DAT. Elle débute par :

```
*Drive?type:*DAT*
```

Insérez ensuite le texte suivant avant ou après les entrées similaires des autres périphériques pris en charge :

```

*Device:*DAT*06240*) # DAT drive with compression
    mdev=`expr $mdev + 8`;
    mknod ${prf}$1c c ${C_TPS} $mdev;
; ;

```

3. Redémarrez le système. Irix 6.x détectera les modifications et reconstruira automatiquement le noyau au moment du démarrage.

Vous pouvez également reconstruire manuellement le noyau à l'aide de la commande `autoconfig` (voir la page `autoconfig` du manuel pour plus de détails), puis relancer le système pour que les modifications prennent effet.

Dépannage des installations sur la plate-forme SGI

Vérification des chaînes d'interrogation du lecteur

Il peut s'avérer utile de confirmer les chaînes d'interrogation du lecteur. Utilisez pour cela la commande `mt`. La ligne de commande suivante reçoit la chaîne d'interrogation et

d'autres données d'état d'un lecteur monté sur le bus SCSI 1, ID 4.

```
mt -f /dev/rmt/tps1d4 status
```

Problème d'échange entre systèmes

Si l'erreur suivante apparaît quand vous tentez de restaurer une archive cpio depuis un autre système, il est probable qu'une erreur a été commise lors de la séquence d'installation du point 7.1 ci-dessus :

```
Byte swapped Data - re-try with correct device
```

Si vous rencontrez cette erreur, vérifiez que les bonnes modifications ont été apportées au fichier `/var/sysgen/master.d/scsi`.

Activation de la compression matérielle

Irix 6.x permet l'activation/désactivation logicielle de la compression matérielle grâce à l'utilisation de pilotes de périphérique différents. Les pilotes dont le nom de périphérique contient un « c » activent la compression. Vous pourrez sans doute résoudre de nombreux problèmes de compression de données en installant le dernier correctif Irix 6.x.

Configuration pour l'environnement HP-UX

Positions des commutateurs

Avant d'utiliser le Scorpion 240 dans un environnement UNIX HP, réglez les commutateurs de système d'exploitation comme indiqué ci-dessous :

	Commu- tateur 5	Commu- tateur 6	Commu- tateur 7	Commu- tateur 8
Position	MARCHE	MARCHE	ARRÊT	MARCHE

HP-UX versions 10.2 et 11

Suivez les étapes suivantes pour configurer les systèmes HP-UX :

1. Connectez-vous en root.
2. Lancez l'utilitaire SAM.
3. Choisissez l'option Périphériques.
4. Choisissez Lecteurs de bande.
5. Dans le menu Actions de la fenêtre Gestionnaire de lecteur de bande, choisissez Ajouter.
6. Dans la fenêtre Ajouter un nouveau lecteur de bande, lisez les instructions, puis cliquez sur OK.
7. SAM détectera peut-être que votre noyau HP-UX ne possède pas les pilotes nécessaires pour utiliser votre nouveau lecteur de bande. Si c'est le cas, dans la fenêtre "Vérifier pilotes de périphérique", lisez le message et choisissez l'action adaptée. Si l'option choisie est Construire un nouveau noyau et arrêter le système immédiatement, SAM crée un nouveau noyau et redémarre automatiquement le système. Une fois le système relancé, les pilotes nécessaires sont chargés et le système est en mesure d'utiliser le lecteur de bande.
8. Si vous avez dû arrêter le système pour raccorder physiquement le lecteur de bande, re-lancez SAM et répétez les étapes 3 à 6 ci-dessus.

9. Choisissez le nouveau lecteur de bande.
10. Dans le menu *Actions*, choisissez *Créer les fichiers du périphérique*.
11. Appuyez sur OK, puis quittez SAM.

Configuration pour l'environnement IBM AIX

Positions des commutateurs

Avant d'utiliser le Scorpion 240 dans un environnement IBM AIX, réglez les commutateurs de système d'exploitation comme indiqué ci-dessous :

	Commu- tateur 5	Commu- tateur 6	Commu- tateur 7	Commu- tateur 8
Position	MARCHE	ARRÊT	MARCHE	ARRÊT

AIX version 3.2 et ultérieures

AIX versions 3.2 et ultérieures peut être configuré pour utiliser le Scorpion 240 à l'aide de l'option SMIT "Autre lecteur de bande SCSI".

Remarque : Pour utiliser cette procédure, vous devez connaître l'identificateur SCSI utilisé par le lecteur de bande.

Pour configurer AIX à l'aide de l'utilitaire SMIT, suivez la procédure ci-dessous :

1. Entrez dans SMIT au niveau du menu « Tape Drive » (Lecteur de bande) en tapant « smit tape » (bande smit).
2. Sélectionnez « Add a tape Drive » (Ajouter un lecteur de bande).
3. Sélectionnez le type de lecteur de bande à ajouter. Utilisez l'option « Other SCSI Tape Drive » (Autre lecteur de bande SCSI).
4. Sélectionnez l'adaptateur SCSI parent à partir de la liste disponible.

5. Les zones de saisie de Ajouter un lecteur de bande apparaissent alors. Certaines options standard doivent être modifiées afin de maximiser les performances et les fonctionnalités du lecteur.
 - Définissez « Connection Address » (Adresse de connexion) avec la Cible et le LUN du lecteur de bande (toujours utiliser 0 pour le LUN). Dans la liste, la Cible est le premier numéro et le LUN est le deuxième. Par exemple, si le lecteur a l'ID 5, vous devez choisir 5,0.
 - Réglez « Blocksize » (taille de bloc fixe) sur 1024
 - Réglez « Density 1 » (Densité 1) sur 140.
 - Réglez « Maximum delay for the Read/Write command » (Délai maxi pour la commande de lecture/écriture) sur 900.
6. Appuyez sur la touche ENTRER. Le lecteur va être installé dans la base de données du système et les périphériques appropriés vont être créés.
7. Quittez SMIT.

Contrôler la compression des données sous AIX

Après avoir exécuté SMIT, des fichiers de périphérique ont été créés pour votre nouveau lecteur de bande. Les noms de fichiers les plus typiques sont indiqués ci-dessous :

```
/dev/rmt0 /dev/rmt0.1 /dev/rmt0.2 /dev/rmt0.3  
/dev/rmt0.4/dev/rmt0.5 /dev/rmt0.6 /dev/rmt0.7
```

Si vous entrez les informations de configuration spécifiées à l'étape 5 du processus de configuration, les périphériques rmt0, rmt0.1, rmt0.2 et rmt0.3 conduiront le lecteur à écrire en mode compressé. L'utilisation des périphériques rmt0.4, rmt0.5, rmt0.6 et rmt0.7 conduira le lecteur à écrire sans compression.

Configuration pour UNIX SCO

Avant d'utiliser le Scorpion 240 dans un environnement UNIX SCO, réglez les commutateurs de système d'exploitation comme indiqué ci-dessous :

	Commu- tateur 5	Commu- tateur 6	Commu- tateur 7	Commu- tateur 8
Installation de SCO ODT et Open Server , avec l'utilitaire MAKDEV	ARRÊT	MARCHE	MARCHE	ARRÊT
SCO UnixWare 7.x	MARCHE	MARCHE	MARCHE	MARCHE

Configuration pour LINUX

Avant d'utiliser le Scorpion 240 dans un environnement LINUX, vérifiez que tous les commutateurs de système d'exploitation sont positionnés sur MARCHE, comme indiqué ci-dessous :

	Commu- tateur 5	Commu- tateur 6	Commu- tateur 7	Commu- tateur 8
Position	MARCHE	MARCHE	MARCHE	MARCHE

Récapitulatif des spécifications du lecteur

Catégorie	Spécification (magasin de six cassettes)
Spécifications de performances	
Longueur/type de bande 90 m MP 120 m MP+ 125 m MP++ 150 m MP+++	(basées sur une compression de données de 2:1) 24,0 Goctets (4,0 Goctets / cassette) 48,0 Goctets (8,0 Goctets / cassette) 144,0 Goctets (24,0 Goctets / cassette) 240,0 Goctets (40,0 Goctets / cassette)
Densité d'enregistrement (DDS-4)	122.000 bpp
Densité de piste (DDS-4)	147,34 pistes/mm
Récupération à la suite d'une erreur	Lecture après écriture, Reed Solomon ECC, (C3 - 3 niveaux)
Erreurs d'enregistrement irrécupérables	< 1 dans 10^{15} bits de données
Configuration des têtes d'enregistrement	2 têtes de lecture, 2 têtes d'écriture
Format d'enregistrement	DDS-1, DDS-2, DDS-3, DDS-4
Dimensions de la cassette	(74 mm x 53 mm x 10 mm) 2,9 po x 2,1 po x 0,4 po
Débit de transfert (soutenu)	2,75 Moctets/s sans compression 5,5 Moctets/s avec compression
Débit de transfert synchrone (« burst »)	80 Moctets/s max (LVD) 40 Moctets/s max (monocorde)
Vitesse de recherche	Vitesse normale de 400 X
Temps d'accès moyen bande de 90 m bande de 120 m bande de 125 m bande de 150 m	(cassette unique) < 30 s < 40 s < 40 s < 40 s
Durée de chargement	≤ 15 s
Durée d'échange de cassette	≤ 8,5 s
Vitesse de rotation du tambour	10.000 tr/mn

Catégorie	Spécification (magasin de six cassettes)	
Spécifications relatives à l'environnement		
Température (en fonctionnement) (hors fonctionnement)	+5° à + 45°C (+41° à +113°F ¹) -40° à + 65°C (-40° à +149°F ²)	
Gradient thermique	2°C/minute (sans condensation)	
Humidité relative (en fonctionnement) (hors fonctionnement)	20 % à 80 % sans condensation 0 % à 90 % sans condensation	
Temp. maxi du thermomètre mouillé	26°C (78,8°F)	
Altitude (en fonctionnement) (hors fonctionnement-hors tension)	-100 à +4.575 mètres -300 à +15.200 mètres	
Vibration (hors fonctionnement)	1,5 g (5 à 500 Hz)	
Test de balayage des vibrations	1,20 mm crête-à-crête (5 à 17 Hz) 0,73 g crête (17 à 150 Hz) 0,50 g crête (150 à 500 Hz)	
Taux de balayage des vibrations	8 décades par heure	
Test d'arrêt des vibrations (15 mn)	0,90 mm crête-à-crête (5 à 17 Hz) 0,55 g crête (17 à 150 Hz) 0,25 g crête (150 à 500 Hz)	
Niveau acoustique en marche à vide (somme A-pds)	47 dBA maximum	
Niveau acoustique en fonctionnement (somme A-pds)	60 dBA maximum (mesurés dans une enceinte appropriée à une distance de 0,91 m et la hauteur de l'opérateur)	
Choc (1/2 onde sinusoïdale) En fonctionnement Hors fonctionnement	crête de 10 g, 11 ms crête de 50 g, 11 ms	
Spécifications relatives à la puissance		
Tension et tolérance CC	+12 VCC ± 10%	+5 VCC ± 7%
Courant (en fonctionnement/crête)	0,7 / 2,4 A	1.7 / 2 A
Cascade (crête-à-crête)	≤ 100 mV	≤ 100 mV
Dissipation de puissance (en veille) Dissipation de puissance (en fonctionnement)	< 11 watts < 17 watts	

Assistance technique

En cas de difficultés lors de l'installation ou de l'utilisation du lecteur de bande, contactez l'assistance technique Seagate. Pour des questions d'ordre général sur les produits et applications de cassettes Seagate, contactez le support de pré-ventes de cassettes Seagate.

Services dans le monde entier :

Sur le Web : Une large gamme de services d'assistance technique sont disponibles sur le site Web de Seagate, à <http://www.seagate.com>

Pour acheter des produits ou accessoires de cassettes Seagate sur Internet, allez à l'adresse <http://buytape.seagate.com>.

Assistance technique de Seagate par email : Vous pouvez envoyer vos questions ou commentaires par email à : tapesupport@seagate.com

Services régionaux

Seagate fournit une assistance technique par le biais de plusieurs centres régionaux dans le monde entier. Ces services peuvent comprendre :

- **Une assistance technique Seagate par téléphone :** Pour une aide personnalisée, vous pouvez parler à un spécialiste de l'assistance technique pendant les heures locales de bureau. Avant d'appeler, notez la configuration de votre système et le numéro de modèle de votre lecteur.
- **Assistance technique Seagate par télécopie :** Vous pouvez faxer vos questions ou commentaires aux spécialistes de l'assistance technique. Les réponses sont envoyées pendant les heures locales de bureau.
- **SeaFAX :** Vous pouvez utiliser un téléphone à fréquence vocale pour accéder au système automatisé d'envoi de

fax de Seagate afin de recevoir en retour par fax des informations concernant l'assistance technique. Ce service est disponible 24h/24.

- **SeaBOARD:** SeaBOARD est le système télématique de Seagate accessible 24 heures sur 24. Réglez votre modem sur les paramètres suivants : huit bits de données, sans parité et un bit d'arrêt (8-N-1).

Les services d'assistance dans les Amériques

Assistance par téléphone :

(les clients sont dirigés vers un numéro de téléphone spécifique au produit ou vers un numéro SeaFAX)

Clients américains : 1-800-SEAGATE

Clients internationaux : 1-405-936-1234

Assistance technique de Seagate par télécopie (Etats-Unis et international) :

1-405-936-1683

SeaTDD (Service de télécommunication pour les malentendants ; Etats-Unis et international) : 1-405-936-1687

SeaBOARD (Etats-Unis et international) : 1-405-936-1630

Assistance pré-vente : 1-800-626-6637

Services d'assistance en Europe

Pour accéder au service clientèle européen et à SeaFAX, composez le numéro gratuit du pays en consultant le tableau ci-dessous. Le numéro de télécopie de l'assistance technique **Seagate FAX** en Europe est le 31-20-653-3513.

Pays	Téléphone/SeaFAX
Allemagne	0 800-182 6831 (cf. également SeaBOARD au 49-89-1409331)
Autriche	0 800-20 12 90
Belgique	0 800-74 876
Danemark	80 88 12 66
Espagne	900-98 31 24
France	0 800-90 90 52
Irlande	1 800-55 21 22
Italie	800-790695
Norvège	800-113 91

Pays	Téléphone/SeaFAX
Pays-Bas	0 800-732 4283
Pologne	00 800-311 12 38
Royaume Uni	0 800-783 5177
Suède	0 207 90 073
Suisse	0 800-83 84 11
Turquie	00 800-31 92 91 40

Si le nom de votre pays ne figure pas dans le tableau, appelez notre centre d'appel européen à Amsterdam au 31-20-316-7222 entre 8 h 30 et 17 h 00 (heure d'Europe Centrale) du lundi au vendredi, ou par télécopie au 31-20-653-3513.

Services d'assistance pour l'Afrique et le Moyen-Orient

Pour les services d'assistance en Afrique et au Moyen Orient, appelez notre centre européen à Amsterdam au 31-20-316-7222 entre 8h30 et 17h00 (Heure d'Europe Centrale), du lundi au vendredi, ou envoyez un fax au 31-20-653-3513.

Services d'assistance en Asie et dans le Pacifique Occidental

Pour les services de pré-vente et d'assistance technique en Asie et dans la zone Ouest-Pacifique, composez le numéro gratuit correspondant à votre pays. Ces numéros gratuits sont accessibles du lundi au vendredi de 6h00 à 10h45 et de 12h00 à 18h00 (heure de l'Est de l'Australie). Si votre pays ne figure pas dans la liste ci-dessous, veuillez utiliser l'un des numéros d'appel direct.

Centre d'appel	Numéro gratuit	Numéro d'appel direct	Numéro de fax
Australie	1800-14-7201	+61-2-9725-3366	+61-2-9725-4052
Hong Kong	800-90-0474	—	+852-2368 7173
Indonésie	001-803-1-003-2165	—	—
Japon	—	—	+81-3-5462-2979
Malaisie	1-800-80-2335	—	—

Nouvelle-Zélande	0800-443988	—	—
Singapour	800-1101-150	+65-488-7584	+65-488-7528
Taiwan	—	+886-2-2514-2237	+886-2-2715-2923
Thaïlande	001-800-11-0032165	—	—

Scorpion 240 DDS-4 Autoloader Installationshandbuch

Abschnitt C
Deutsch

SCORPION

© 2000 Seagate Removable Storage Solutions, LLC. Alle Rechte vorbehalten.

Bestellnummer 100135972

Seagate und das Seagate-Logo sind eingetragene Marken von Seagate Technology, LLC. Scorpion 240 und das Scorpion-Logo sind Marken oder eingetragene Marken von Seagate Removable Storage Solutions, LLC. Alle anderen Produktnamen sind Marken oder eingetragene Marken der jeweiligen Eigentümer.

Seagate behält sich das Recht vor, Produktangebote oder Spezifikationen jederzeit und ohne Vorankündigung zu ändern. Vervielfältigung oder Weitergabe dieses Dokuments, auch teilweise, nur mit vorheriger schriftlicher Genehmigung der Firma Seagate Removable Storage Solutions.

Dokumentnummer: 10007066-003, 13. November 2000

Inhalt

Inhalt	C-3
FCC-Hinweis	C-5
Einführung	C-7
Über dieses Handbuch	C-7
Über den Scorpion 240 Autoloader	C-7
Wichtige Hinweise	C-9
Sicherheitshinweise	C-9
Auspacken und Lieferkontrolle	C-9
Installieren des internen Autoloaders	C-11
Konfigurieren des internen Autoloaders	C-11
Einbauen des internen Autoloaders	C-17
Anschließen des SCSI-Schnittstellenkabels	C-19
Anschließen eines Stromkabels	C-20
Installieren des externen Autoloaders	C-21
Konfigurieren des externen Scorpion 240	C-21
Anschließen des Netzkabels	C-23
Bedienung und Wartung	C-24
Starten des Autoloaders	C-24
Arbeiten mit Kassetten und Magazinen	C-25
Bedienung der Tasten an der Gerätevorderseite	C-29
Funktionsweise der LED-Anzeigen an der Gerätevorderseite	C-30
Funktionsweise der LCD-Anzeige an der Gerätevorderseite	C-34
Reinigen des Bandlaufwerks	C-39
Informationen zu DDS-4-Kassetten	C-41
Vorbereitungen für den Transport	C-43
Konfigurieren für UNIX-, NOVELL- und Windows NT- Betriebssysteme	C-45
Betriebssystem-Konfigurationsschalter	C-45
Konfigurieren für die Windows NT-Umgebung	C-46
Konfigurieren für Novell-Umgebungen	C-46

Konfigurieren für die DEC UNIX-Umgebung	C-49
Konfigurieren für die Sun UNIX-Umgebung	C-51
Konfigurieren für die SGI-Umgebung	C-53
Konfigurieren für die HP-UX-Umgebung	C-57
Konfigurieren für die IBM AIX-Umgebung	C-58
Konfigurieren für SCO UNIX	C-59
Konfigurieren für LINUX	C-60
Technische Daten	C-61
Technischer Support	C-63

FCC-Hinweis

Dieses Gerät erzeugt und nutzt Hochfrequenzenergie und kann, sofern nicht entsprechend den Anweisungen des Herstellers installiert und eingesetzt, Störungen des Rundfunk- und Fernsehempfangs verursachen, was unter Umständen zum Erlöschen der Betriebserlaubnis führt. Es wurde auf die Einhaltung der Grenzwerte für Digitalgeräte der Klasse B entsprechend Teil 15 der FCC-Bestimmungen hin überprüft, die bei einem Einsatz in Wohngebieten weitgehenden Schutz vor derartigen Störungen bieten. Es kann jedoch nicht garantiert werden, dass derartige Störungen in einer bestimmten Installationsumgebung ausgeschlossen sind. Falls Störungen auftreten, sollten Sie versuchen, diese mit Hilfe einer oder mehrerer der folgenden Maßnahmen zu beheben.

- Richten Sie die Empfangsantenne neu aus, oder stellen Sie sie an einem anderen Ort auf.
- Vergrößern Sie den Abstand zwischen dem Computer und dem Empfänger.
- Schließen Sie den Computer und den Empfänger an zwei voneinander unabhängige Stromkreise an.
- Ziehen Sie den Händler oder einen erfahrenen Rundfunk- und Fernsehtechniker zu Rate.

Weitere nützliche Hinweise finden Sie in der folgenden von der FCC-Behörde herausgegebenen Broschüre: *How to Identify and Resolve Radio-TV Interference Problems*. Diese Broschüre (Bestellnr. 004-000-00345-4) kann beim U.S. Government Printing Office, Washington, DC 20402, USA, angefordert werden.

Dieses Gerät entspricht den in den kanadischen Bestimmungen zur Funksicherheit (Canadian Radio Interference Regulations) festgelegten Grenzwertvorgaben für Digitalgeräte der Klasse B.

Cet appareil numérique de la classe B est conforme au Règlement sur brouillage radioélectrique, C. R. C., ch. 1374.

Einführung

Über dieses Handbuch

In diesem Handbuch finden Sie Informationen zur Installation und zum Betrieb des Scorpion 240 DDS-4 Autoloaders.

Über den Scorpion 240 Autoloader

Bei dem internen Seagate Autoloader handelt es sich um ein vollintegriertes, intelligentes System für mehrere Magnetbandkassetten, das die Bandformate DDS (Digital Data Storage), DDS-1, DDS-2, DDS-3 und DDS-4 unterstützt. Das Magazin des Geräts ist für bis zu sechs Bandkassetten ausgelegt.

Der interne Autoloader (STDL42401LW) eignet sich für den Einbau in einen Standardlaufwerkschacht (5.25 Zoll) des Computers. Der externe Autoloader (STDL62401LW) kann als eigenständiges Subsystem über ein abgeschirmtes 68-poliges SCSI-Kabel an ein Hostsystem angeschlossen werden.

Hinweis: Der Einsatz des Scorpion 240 in einer SCSI-1-Umgebung ist nicht möglich.

Der Scorpion 240 Autoloader verbindet moderne DDS-Technologie mit ausgereiften HD-Datenaufzeichnungs- und Hardware-Datenkompressionsfunktionen in einem bewährten Seagate DDS-Magnetbandlaufwerk und bietet so ein Höchstmaß an Zuverlässigkeit und Leistung.

Anwendungsbereiche

Der Scorpion 240 Autoloader eignet sich hervorragend für Server- und Netzwerk-/Unternehmensanwendungen und kann beispielsweise für die folgenden Aufgaben eingesetzt werden:

- Sicherung von Datenbeständen auf Festplattenlaufwerken oder Datenträgerarrays mit hoher Kapazität
- Automatisierte Datenspeicherverwaltung
- Selbstständig ablaufende Online-Datenerfassung
- Leitungsnahe Sekundärspeicherung für Text-, Grafik- oder Multimediadaten aller Art
- Datenarchivierung

Scorpion 240 – Kapazität und Datenübertragungsraten

In der folgenden Tabelle finden Sie eine Übersicht über die Speicherkapazitäten und Datenübertragungsraten des Scorpion 240 bei Verwendung von Magnetspeicherbändern unterschiedlicher Typen und Längen. Alle Angaben basieren auf einer Datenkompressionsrate von 2:1. Ohne Kompression bieten die Bänder jeweils die halbe Kapazität.

Bandformat:	DDS	DDS-2	DDS-3	DDS-4
Bandlänge (m)	90	120	125	150
Kapazität pro Bandkassette (GB)	4,0	8,0	24,0	40,0
Kapazität pro Magazin à sechs Kassetten (GB)	24,0	48,0	144,0	240,0
Datenübertragungsrate Dauerbetrieb (MB/s)	1,83	1,83	5,5	5,5

Hinweis: DDS-Bänder mit einer Länge von 60 m können mit diesem Laufwerk nicht eingesetzt werden.

Wichtige Hinweise

Sicherheitshinweise

Vorsicht: Bitte beachten Sie die folgenden Sicherheitshinweise, um einer Beschädigung des internen Autoloaders durch elektrostatische Entladung vorzubeugen.

- Entfernen Sie die antistatische Verpackung erst unmittelbar vor dem Einbau des Laufwerks.
- Berühren Sie vor dem Entfernen der antistatischen Verpackung eine geerdete Metalloberfläche, um eine möglicherweise aufgebaute elektrostatische Spannung aus Ihrem Körper abzuleiten.
- Halten Sie das Laufwerk ausschließlich an seinen Kanten, und vermeiden Sie jede direkte Berührung seiner elektronischen Bauteile.
- Falls Sie den Einbau aus irgendeinem Grund unterbrechen müssen, legen Sie das Laufwerk unbedingt auf oder in der antistatischen Verpackung ab.

Auspacken und Lieferkontrolle

Alle Seagate-Autoloader werden vor der Auslieferung überprüft und sorgfältig verpackt; dennoch sind Beschädigungen beim Versand nicht vollkommen auszuschließen. Bitte gehen Sie beim Auspacken des Autoloaders daher folgendermaßen vor:

1. Überprüfen Sie den Versandbehälter, und weisen Sie den Spediteur gegebenenfalls sofort auf sichtbare Schäden hin.
2. Stellen Sie den Versandbehälter auf einer sauberen und stabilen Oberfläche ab, entnehmen Sie vorsichtig das Gerät sowie die im Lieferumfang enthaltenen Teile, und überprüfen Sie die beigelegte Teileliste. Weisen Sie Ihren zuständigen Seagate-Vertreter gegebenenfalls auf fehlende oder beschädigte Teile hin.

3. Bewahren Sie den Versandbehälter und das Verpackungsmaterial sorgfältig auf, für den Fall, dass Sie das Laufwerk einmal zur Reparatur einschicken müssen.

Installieren des internen Autoloaders

In diesem Kapitel erfahren Sie, wie Sie den *internen* Scorpion 240 Autoloader konfigurieren und einbauen sowie die erforderlichen Kabel anschließen.

Konfigurieren des internen Autoloaders

Bevor Sie das interne Scorpion 240-Bandlaufwerk in Ihren Computer einbauen, müssen Sie es unter Umständen für den Einsatz in Verbindung mit Ihrem System konfigurieren.

Standardeinstellungen

Die Standardeinstellungen des internen Laufwerks entnehmen Sie bitte der folgenden Liste:

- SCSI-ID des Laufwerks: 6
- Paritätsprüfung: aktiviert
- SCSI-Abschlussspannung: deaktiviert
- Datenkompression: aktiviert
- Selbsttest bei Inbetriebnahme: aktiviert
- MRS-Prüfung: aktiviert
(Nicht-MRS-Datenträger werden nicht beschrieben).

Wenn diese Standardeinstellungen den Anforderungen Ihres Computersystems entsprechen, können Sie die folgenden Anleitungen überspringen und mit dem Abschnitt „Einbauen des internen Autoloaders“ auf Seite C-17 fortfahren.

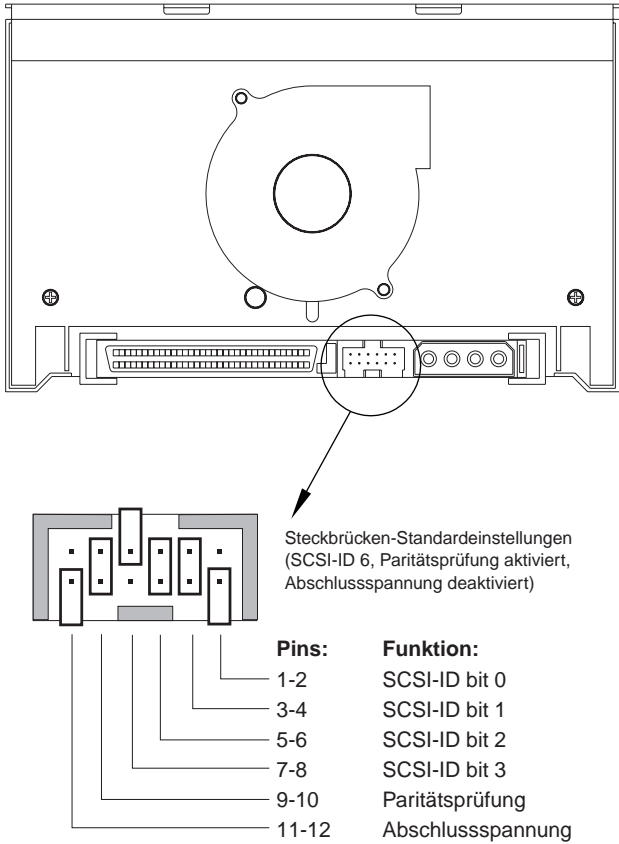
Ändern der Steckbrückeneinstellungen

SCSI-ID, Paritätsprüfung und Abschlussspannung werden mit Hilfe der Steckbrücken an der Rückseite des Laufwerks eingestellt (siehe Abbildung 1).

Hinweis: Schalten Sie das Bandlaufwerk ab, bevor Sie die Einstellung der Steckbrücken oder Dip-Schalter

ändern. Die Änderungen werden beim Neustart des Laufwerks wirksam.

Abbildung 1: Steckbrücken an der Rückseite des Scorpion 240



SCSI-ID=0	■ ■ ■ ■ ■ ■
SCSI-ID=1	■ ■ ■ ■ ■ ■
SCSI-ID=2	■ ■ ■ ■ ■ ■
SCSI-ID=3	■ ■ ■ ■ ■ ■
SCSI-ID=4	■ ■ ■ ■ ■ ■
SCSI-ID=5	■ ■ ■ ■ ■ ■
SCSI-ID=6	■ ■ ■ ■ ■ ■
SCSI-ID=7	■ ■ ■ ■ ■ ■

SCSI-ID=8	■ ■ ■ ■ ■ ■
SCSI-ID=9	■ ■ ■ ■ ■ ■
SCSI-ID=10	■ ■ ■ ■ ■ ■
SCSI-ID=11	■ ■ ■ ■ ■ ■
SCSI-ID=12	■ ■ ■ ■ ■ ■
SCSI-ID=13	■ ■ ■ ■ ■ ■
SCSI-ID=14	■ ■ ■ ■ ■ ■
SCSI-ID=15	■ ■ ■ ■ ■ ■
Parität aktiv.	■ ■ ■ ■ ■ ■
Abschl.-Spannung	■ ■ ■ ■ ■ ■

SCSI-Adressauswahl (Pins 1 bis 8)

Jedem an einem SCSI-Bus angeschlossenen SCSI-Gerät muss eine eindeutige SCSI-ID zugewiesen werden. Für den SCSI-Controller oder Host-Adapter wird im Allgemeinen die ID 7 verwendet. In einigen Systemen ist die ID 0 oder 1 für das Startlaufwerk reserviert.

Zum Auswählen der von Ihrem Laufwerk verwendeten SCSI-Adresse setzen Sie die entsprechenden Steckbrücken wie in Abbildung 1 dargestellt auf die Pinpaare 1-2 bis 7-8.

Hinweis: Die SCSI-IDs 8 bis 15 werden nur erkannt, wenn Schalter 9 auf „EIN“ eingestellt ist. Einzelheiten hierzu finden Sie auf Seite C-17.

Paritätsprüfung (Pins 9 und 10)

Wenn die Pins 9 und 10 mit einer Steckbrücke verbunden sind, ist die Paritätsprüfung aktiviert. Ist dies nicht der Fall, so wird die Parität nicht geprüft, aber nach wie vor vom Laufwerk generiert.

Abschlussspannung (Pins 11 und 12)

Wenn die Pins 11 und 12 mit einer Steckbrücke verbunden sind, ist die Abschlussspannung aktiviert.

Hinweis: Das interne Scorpion 240 stellt *keinen* SCSI-Abschluss bereit und sollte daher nicht als letztes Gerät in einer SCSI-Kette installiert werden. Weitere Informationen hierzu finden Sie im Abschnitt „SCSI-Abschluss“ auf Seite C-20.

Achten Sie beim Aufstecken der Steckbrücke für die Abschlussspannung darauf, das TERMPWR-Signal keinesfalls mit der Erde kurzzuschließen, da am Bus im Falle eines Kurzschlusses keine Abschlussspannung anliegt. Beim Beheben des Kurzschlusses wird die entsprechende Sicherung des Laufwerks automatisch zurückgesetzt und die Abschlussspannung somit wiederhergestellt.

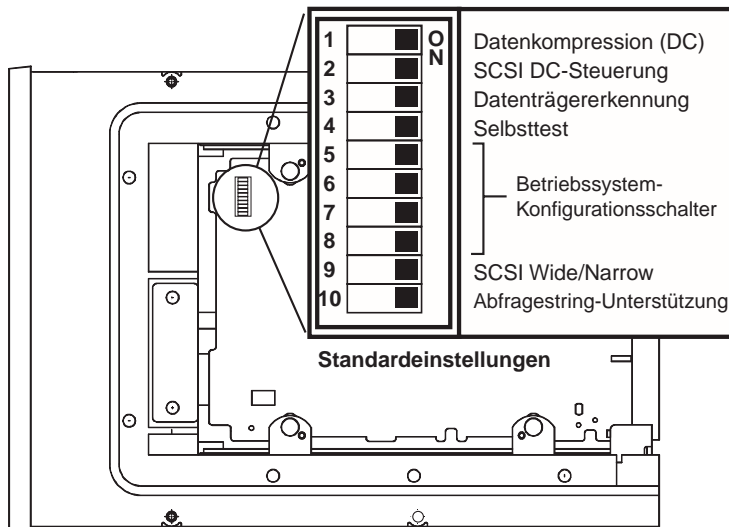
Ändern der Dip-Schaltereinstellungen

Die Einstellungen für die Datenkompression, die MRS-Prüfung, den Selbsttest bei Inbetriebnahme, die Betriebssystemparameter, die SCSI-Parameter (SCSI Wide/Narrow) sowie den Abfragestring des Laufwerks werden mit Hilfe der Dip-Schalter an der Unterseite des internen Laufwerks vorgenommen.

Eine Übersicht über die Dip-Schalter an der *Unterseite* des internen Scorpion 240 finden Sie in Abbildung 2; die einzelnen Schalter werden auf den nachfolgenden Seiten ausführlich beschrieben.

Hinweis: Schalten Sie das Bandlaufwerk ab, bevor Sie die Einstellung der Steckbrücken oder Dip-Schalter ändern. Die Änderungen werden beim Neustart des Laufwerks wirksam.

Abbildung 2: Dip-Schaltereinstellungen für das interne Scorpion 240



Datenkompression (Schalter 1 und 2)

Wenn Schalter 1 auf EIN steht (Standardeinstellung), wird die Hardware-Datenkompression beim Einschalten des

Laufwerks aktiviert. Steht Schalter 1 auf AUS, so wird die Hardware-Datenkompression beim Einschalten deaktiviert.

Wenn Schalter 2 auf EIN steht (Standardeinstellung), lässt sich die Hardware-Datenkompression mit Hilfe der SCSI-Befehle aktivieren und deaktivieren. Um eine Aktivierung und Deaktivierung der Hardware-Datenkompression durch die SCSI-Befehle zu verhindern, stellen Sie Schalter 2 auf AUS.

Datenträgererkennungssystem (Schalter 3)

Mit Hilfe des Datenträgererkennungssystems kann das Laufwerk feststellen, ob eine Bandkassette dem DDS-Bandstandard entspricht. Zwar lassen sich auch mit nicht DDS-konformen Datenträgern unter Umständen befriedigende Ergebnisse erzielen, bauartbedingt können bei diesen jedoch Datenintegritätsprobleme nicht ausgeschlossen werden.

Schalter 3 aktiviert oder deaktiviert das Datenträgererkennungssystem (MRS). Wenn Schalter 3 auf EIN steht (Standardeinstellung), liest und beschreibt das Laufwerk MRS-Datenträger; Nicht-MRS-Datenträger können gelesen, nicht aber beschrieben werden. Steht Schalter 3 auf AUS, so liest und beschreibt das Laufwerk sowohl MRS- als auch Nicht-MRS-Datenträger.

Selbsttest bei Inbetriebnahme aktivieren/deaktivieren (Schalter 4)

Schalter 4 aktiviert oder deaktiviert die Durchführung der Diagnoseprüfung beim Einschalten des Laufwerks. Wenn Schalter 4 auf EIN steht (Standardeinstellung), wird beim Einschalten des Laufwerks eine Diagnoseprüfung durchgeführt. Steht Schalter 4 auf AUS, so führt das Laufwerk beim Einschalten keinen Selbsttest durch.

Betriebssystemkonfiguration (Schalter 5 bis 8)

Mit Hilfe der Schalter 5 bis 8 lässt sich das Laufwerk für den Einsatz unter UNIX-, Novell- und Windows NT-Betriebssystemen konfigurieren. Die Vorgehensweise hierzu

wird ab Seite C-45 beschrieben. Die Standardeinstellung für diese vier Schalter ist EIN.

SCSI Wide/Narrow (Schalter 9)

Schalter 9 dient zum Aktivieren und Deaktivieren der SCSI Wide-Betriebsart für den SCSI-Bus. Wenn Schalter 9 auf EIN steht (Standardeinstellung), kann das Laufwerk im 16-Bit-Modus (SCSI Wide) betrieben werden. Steht Schalter 9 auf AUS, so lässt sich das Laufwerk lediglich als 8-Bit-Gerät (SCSI Narrow) einsetzen.

Hinweis: In der Schalterstellung 9 = AUS kann dem Laufwerk nur eine SCSI-ID zwischen 0 und 7 zugewiesen werden.

Abfragestring (Schalter 10)

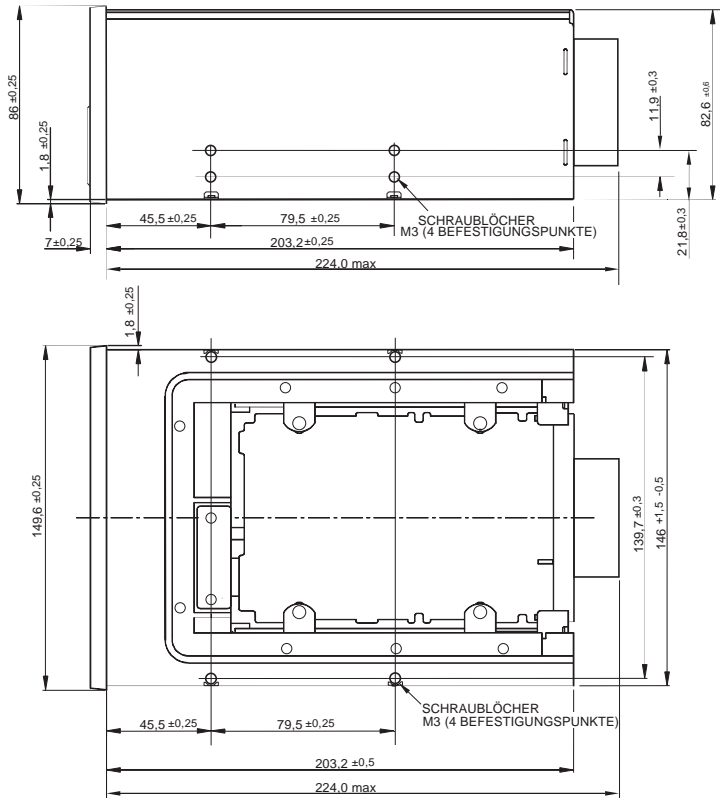
Schalter 10 dient zum Einstellen der Hersteller-ID, mit der das Laufwerk einen SCSI-Abfragebefehl (Inquiry) quittiert. Wenn Schalter 10 auf EIN steht (Standardeinstellung), gibt das Gerät die Hersteller-ID „SEAGATE DAT“ zurück. Steht Schalter 10 auf AUS, so lautet die Hersteller-ID „ARCHIVE Python“. Die Hersteller-ID „ARCHIVE Python“ kann von unabhängigen Softwareherstellern verwendet werden, um die Softwarekompatibilität mit älteren Seagate DDS-Bandlaufwerken zu gewährleisten.

Einbauen des internen Autoloaders

Das Scorpion 240 ist für den horizontalen Einbau in einem Standardlaufwerkschacht (5.25 Zoll) vorgesehen. Befestigen Sie das Laufwerk an den Seiten oder an der Unterseite mit vier Schrauben des Typs M3.0 (siehe Abbildung 3). Verwenden Sie keinesfalls Schrauben mit einer Länge von mehr als 4 mm, da das Laufwerk sonst beschädigt werden kann.

Hinweis: Achten Sie beim Einbau des Laufwerks darauf, den Lüfter und die Belüftungsschlitze an der Unter- und Rückseite des Autoloaders nicht zu blockieren.

Abbildung 3: Positionen der Schraublöcher



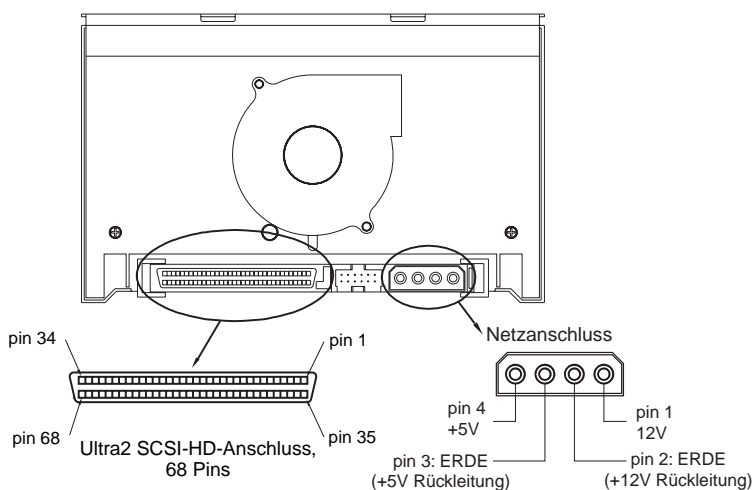
Anschließen des SCSI-Schnittstellenkabels

Schalten Sie die Stromversorgung des Laufwerks und des Computers vollständig ab und verbinden Sie Ihren SCSI-Controller über ein 68-poliges internes SCSI-Kabel mit dem SCSI-Anschluss an der Rückseite des Autoloaders. Beachten Sie hierbei, dass Pin 1 des SCSI-Controllers bei korrekt eingestecktem Kabel mit Pin 1 des Laufwerks verbunden sein muss. Die Position von SCSI-Pin 1 des SCSI-Anchlusses am Laufwerk entnehmen Sie bitte Abbildung 4. Beim SCSI-Kabel ist Pin 1 in der Regel durch einen farbigen Streifen gekennzeichnet.

Scorpion 240-Laufwerke können in Verbindung mit zwei verschiedenen SCSI-Schnittstellentypen eingesetzt werden: Ultra2 SCSI (LVD) oder "Wide" SCSI (16-Bit, einseitig). Hierbei erkennt das Laufwerk automatisch, ob es an einem LVD- oder einem einseitigen Wide SCSI-Bus angeschlossen ist.

Hinweis: In einer SCSI-1-Umgebung ist die ordnungsgemäße Funktion des Scorpion 240 nicht gewährleistet.

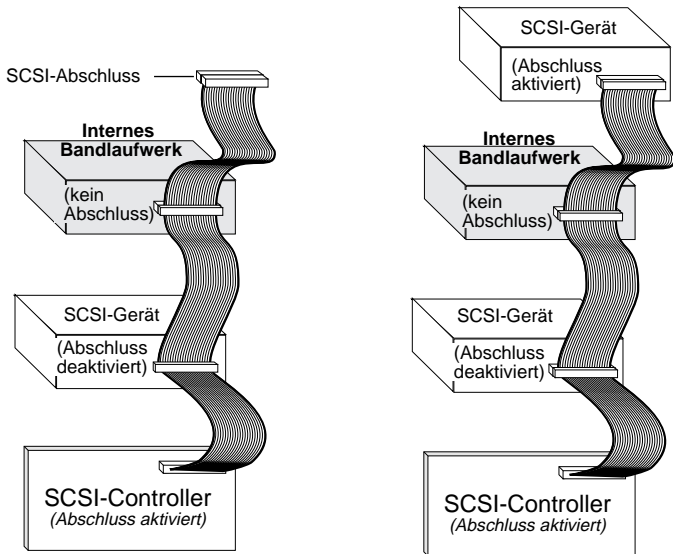
Abbildung 4: Schnittstellenanschlüsse des internen Scorpion 240



SCSI-Abschluss

Das interne Scorpion 240 stellt *keinen* SCSI-Abschluss bereit und sollte daher nicht als letztes Gerät in einer SCSI-Kette installiert werden. Abbildung 5 auf der folgenden Seite zeigt zwei Beispiele für zulässige SCSI-Abschlüsse. Wenn es sich bei dem Laufwerk um das einzige SCSI-Gerät in Ihrer Konfiguration handelt, verbinden Sie es mit dem vorletzten Anschluss, und belegen Sie den letzten Anschluss der SCSI-Kette mit einem einseitigen bzw. einem LVD-Multimodusabschluss.

Abbildung 5: Beispiele für zulässige SCSI-Abschlüsse mit dem internen Scorpion 240



Anschließen eines Stromkabels

Verbinden Sie ein vierpoliges 5/12-Volt-Netzka­bel mit dem Netzanschluss an der Rückseite des Laufwerks. Die Position des Netzanschlusses entnehmen Sie bitte Abbildung 4 auf der vorhergehenden Seite.

Es wird empfohlen, für das interne Laufwerk einen vierpoligen Netzstecker mit einem AMP 1-48024-0-Gehäuse und AMP 60617-1-Anschlussstiften oder einen baugleichen Stecker zu verwenden.

Installieren des externen Autoloaders

Beim externen Scorpion 240 handelt es sich um ein Laufwerk in Kompaktbauweise, das sich ohne Eingriff in das System direkt an den Hostcomputer anschließen lässt. Die Installation des externen Laufwerks erfolgt in drei einfachen Arbeitsschritten:

1. Konfigurieren des Laufwerks
2. Anschließen des SCSI-Schnittstellenkabels
3. Anschließen des Netzkabels

Konfigurieren des externen Scorpion 240

Die Standardeinstellungen des externen Scorpion 240-Laufwerks entnehmen Sie bitte der folgenden Liste:

SCSI-ID: 6

Datenträgererkennung (MRS-System): aktiviert

Paritätsprüfung: aktiviert

Datenkompression: aktiviert

Selbsttest bei Inbetriebnahme: aktiviert

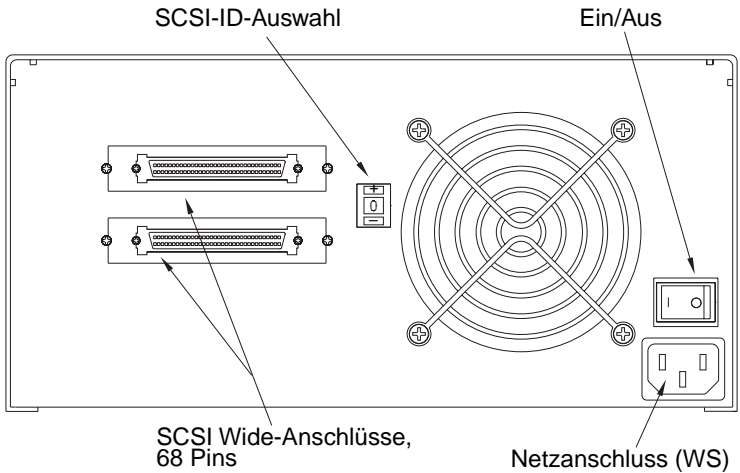
Host-Betriebssystem: Windows 95/98/NT/2000

Abschlussspannung: Speisung des SCSI-Bus

Einstellen der SCSI-ID

Vergewissern Sie sich, dass das Laufwerk abgeschaltet ist, und stellen Sie seine SCSI-ID mit Hilfe des Druckschalters an der Geräterückseite ein. Die Position dieses Schalters sowie der beiden SCSI-Schnittstellenanschlüsse, des Netzschalters und des Netzkabelanschlusses entnehmen Sie bitte Abbildung 6 auf der folgenden Seite.

Hinweis: Zum Aktivieren der geänderten SCSI-ID muss das Laufwerk neu gestartet werden.

Abbildung 6: Rückseite des externen Scorpion 240

Anschließen des SCSI-Schnittstellenkabels

An der Rückseite des Scorpion 240 befinden sich zwei 68-polige, abgeschirmte SCSI-Buchsen, die jeweils als SCSI IN- oder SCSI OUT-Schnittstelle für den Anschluss an den Hostcomputer bzw. an ein weiteres SCSI-Gerät verwendet werden können.

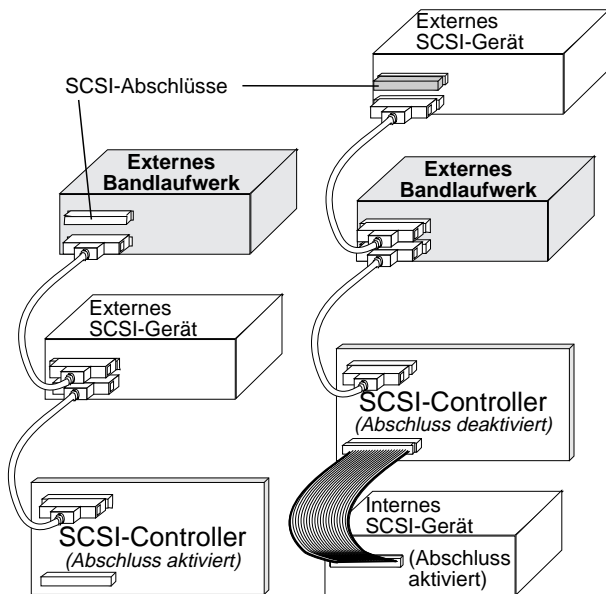
Schalten Sie den Computer und alle SCSI-Geräte aus und verbinden Sie das SCSI-Kabel des Host-Adapters oder eines anderen SCSI-Geräts (ohne Abschluss) mit dem Scorpion 240.

Hinweis: Der Einsatz des Scorpion 240 in einer SCSI-1-Umgebung ist nicht möglich.

SCSI-Abschluss

Wenn Sie das Scorpion 240 als letztes oder einziges Gerät in einer SCSI-Kette installieren, müssen Sie den ungenutzten SCSI-Anschluss mit einem Abschlussstecker belegen. Abbildung 7 auf der folgenden Seite zeigt zwei Beispiele für zulässige SCSI-Abschlüsse. Ein Abschluss für das Scorpion 240 (Bestellnr. 10006525-001) kann auf der Seagate-Bestellseite im Internet unter der Adresse <http://buytape.seagate.com> angefordert werden.

Abbildung 7: Beispiele für zulässige SCSI-Abschlüsse mit dem externen Scorpion 240



Beispiel 1: SCSI-Abschluss in einem System mit ausschließlich externen SCSI-Geräten.

Beispiel 2: SCSI-Abschluss in einem System mit internen und externen SCSI-Geräten.

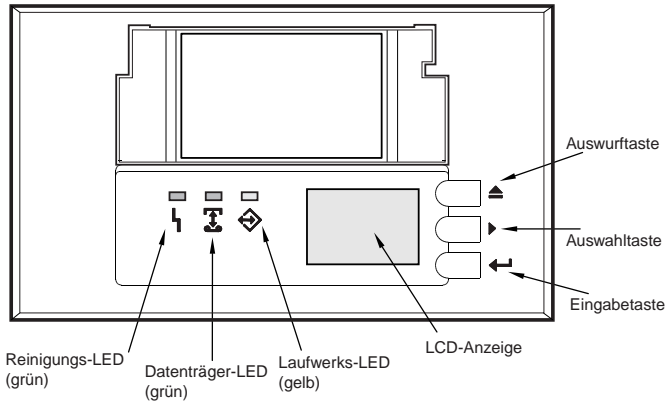
Anschließen des Netzkabels

Stecken Sie das Netzkabel fest in den Netzanschluss an der Rückseite des Laufwerks ein. Die Position des Netzanschlusses an der Rückseite des externen Laufwerks entnehmen Sie bitte Abbildung 6 auf Seite C-22.

Bedienung und Wartung

Dieser Abschnitt gibt Aufschluss über die Funktionsweise Ihres Scorpion 240 Autoloaders und der DDS-4-Kassetten sowie die Bedeutung der LED- und Displayanzeigen an der Vorderseite des Laufwerks (siehe Abbildung 8).

Abbildung 8: Vorderansicht des internen Scorpion 240 Autoloaders (vergleichbar mit externem Laufwerk)



Starten des Autoloaders

Schalten Sie alle angeschlossenen SCSI-Geräte ein, bevor Sie den Computer in Betrieb nehmen. Beim ersten Starten des Autoloaders erscheinen folgende LED- und Displayanzeigen:

1. Die Reinigungs-, Datenträger- und Laufwerks-LEDs leuchten zwei Sekunden lang auf und beginnen anschließend zu blinken.
2. Auf dem LCD-Display erscheint zuerst die aktuelle SCSI-ID und anschließend die Meldung „WARTEN SELBSTTEST“.
3. Wenn sich ein Magazin im Autoloader befindet, erscheint auf dem LCD-Display die Meldung „DURCHSUCHEN X“,

während das Laufwerk die mit Kassetten bestückten Einschübe des Magazins ermittelt.

4. Anschließend werden auf dem LCD-Display die Positionsnummern der vom Laufwerk erkannten Kassetten angezeigt.
5. Nach Abschluss der Diagnoseprüfung erscheint bei eingelegtem Magazin die Meldung „BEREIT“. Ist kein Magazin eingelegt, so erscheint auf dem LCD-Display die Meldung „KEIN MAGAZIN“.

Hinweis: Wenn Ihr Computer den Autoloader nicht erkennt, müssen Sie möglicherweise das für die verwendete Sicherungssoftware geeignete Autoloadermodul laden. Weitere Informationen hierzu finden Sie im Installationshandbuch zu Ihrer Sicherungssoftware.

Arbeiten mit Kassetten und Magazinen

Anbringen von Etiketten

Bitte beachten Sie beim Etikettieren von Kassetten die folgenden Sicherheitshinweise, um zu verhindern, dass sie blockieren und im Autoloader stecken bleiben:

- Bringen Sie Etiketten nur an den hierfür vorgesehenen Stellen an.
- Achten Sie darauf, dass die Etiketten nicht über die Etikettierflächen hinausragen, und falzen Sie sie nicht über die Kanten des Kassettengehäuses.
- Kleben Sie niemals mehrere Etiketten übereinander auf eine Kassette.

Vorsicht: Bringen Sie keine Etiketten direkt auf dem Magazin des Autoloaders an, da diese sonst den Bandmechanismus blockieren können.

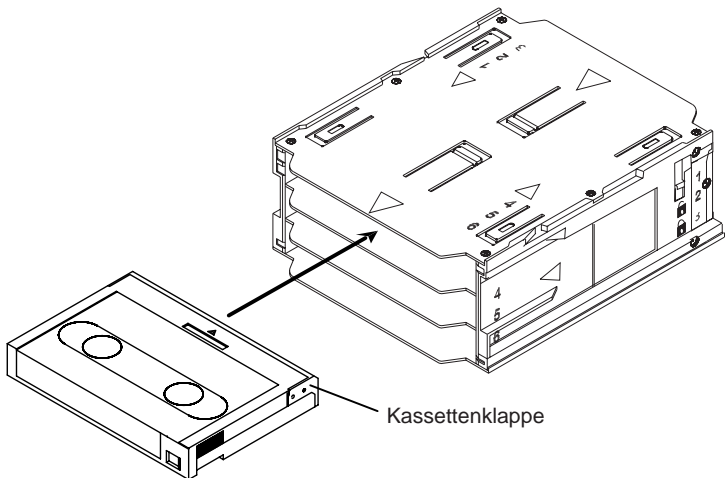
Einlegen von Kassetten in ein Magazin

Verwenden Sie in Verbindung mit dem Scorpion 240 ausschließlich zugelassene DDS-Kassetten. Eine Liste der von der Firma Seagate zugelassenen Kassetten finden Sie

auf Seite C-41 dieses Handbuchs. Gehen Sie beim Einlegen der Kassetten in das Magazin folgendermaßen vor:

1. Aktivieren oder deaktivieren Sie je nach Bedarf den Schreibschutz der Kassetten. Einzelheiten hierzu finden Sie auf Seite C-42.
2. Halten Sie das Magazin so, dass die seitlich angebrachten Positionsnummern nach rechts oben zeigen.
3. Führen Sie die Kassetten jeweils mit der Kassettenklappe voraus in die gewünschten Einschübe des Magazins ein (siehe Abbildung 9).

Abbildung 9: Einlegen einer Kassette in das Magazin des Autoloaders



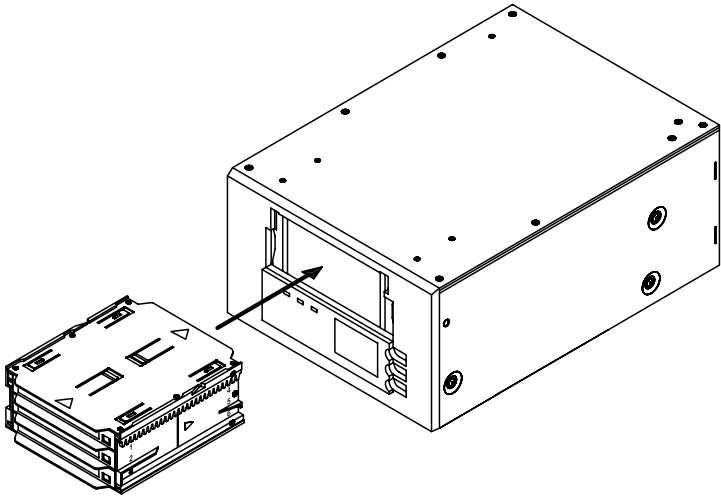
Einlegen eines Magazins in den Autoloader

Vorsicht: Legen Sie das Magazin *nicht* in das Laufwerk ein, während sämtliche LED-Anzeigen blinken, sondern warten Sie, bis die Diagnoseprüfung abgeschlossen ist.

1. Stellen Sie sicher, dass das Laufwerk eingeschaltet und funktionsbereit ist.

2. Halten Sie das Magazin so, dass die Positionsnummern nach rechts oben zeigen.
3. Aktivieren oder deaktivieren Sie je nach Bedarf den Schreibschutz des Magazins. Einzelheiten hierzu finden Sie auf Seite C-43.
4. Führen Sie das Magazin in der durch die Pfeile an der Oberseite angegebenen Richtung in den Einschub des Autoloaders ein (siehe Abbildung 10). Schieben Sie das Magazin behutsam hinein, bis es vom Lademechanismus des Autoloaders erfasst und vollständig eingezogen wird.

Abbildung 10: Einlegen eines Magazins in den Autoloader



Auswerfen einer Kassette oder eines Magazins

Zum Auswerfen des Magazins betätigen Sie die Auswurf-taste an der Vorderseite des Autoloaders. Wenn sich eine Kassette im Laufwerk befindet, erscheint auf dem LCD-Display die Meldung AUSWURF? EINGABE DRÜCKEN. Drücken Sie die Eingabetaste. Die folgenden Arbeitsschritte werden ausgeführt:

1. Das Band wird bis zur BOP-Markierung (Anfang der Partition) zurückgespult.

2. Wenn die Kassette nicht schreibgeschützt ist, wird das aktualisierte Bandprotokoll auf das Band kopiert.
3. Das Band wird bis zur BOM-Markierung (Anfang des Datenträgers) zurückgespult und freigegeben.
4. Die Kassette wird in das Magazin zurückgeschoben.
5. Das Magazin wird ausgeworfen.

Wenn sich keine Kassette im Bandlaufwerk befindet, wird das Magazin ohne Verzögerung ausgeworfen.

Erzwingen eines Auswurfs

Wenn Sie die Auswurf Taste betätigen, während das Bandlaufwerk arbeitet, wird vor dem Auswerfen des Datenträgers der laufende Vorgang abgeschlossen, um einem Verlust von Daten vorzubeugen.

Unter besonderen Umständen kann es allerdings erforderlich sein, eine Kassette zu entladen und den Auswurf des Magazins zu erzwingen, obwohl die Gefahr besteht, die auf der Kassette gespeicherten Daten zu verlieren. Sie sollten einen Auswurf jedoch *nur* erzwingen, wenn keine andere Möglichkeit besteht, die aktive Kassette aus dem Laufwerk zu befreien.

Vorsicht: Nach einem erzwungenen Auswurf ist die betreffende Kassette unter Umständen nicht mehr lesbar. In diesem Fall müssen Sie den Datenträger mit Hilfe der Anwendungssoftware löschen oder neu initialisieren.

Sie können einen Auswurf auch erzwingen, wenn Sie das Magazin aus dem Autoloader entfernen möchten und sich keine Kassette im Laufwerk befindet. In diesem Fall wird das Magazin nach einer Wartezeit von 35 Sekunden freigegeben und der Autoloader anschließend wie beim Aus- und Wiedereinschalten zurückgesetzt.

Zum Erzwingen eines Auswurfs halten Sie die Auswurf Taste mindestens fünf Sekunden lang gedrückt und lassen sie

anschließend wieder los. Hierbei werden die folgenden Arbeitsschritte ausgeführt:

Wenn sich ein Band im Laufwerk befindet, erscheint in der Displayanzeige die Meldung ENTLADE BAND X, wobei X für die der betreffenden Bandkassette zugewiesene Positionsnummer steht. Nachdem die Kassette in das Magazin zurückgeschoben wurde, wird auf dem LCD-Display die Meldung AUSWURF MAGAZIN angezeigt und das Magazin ausgeworfen.

Hinweis: Da durch das Erzwingen eines Auswurfs eine laufende Operation unterbrochen werden kann, schreibt das Bandlaufwerk vor der Freigabe der Kassette unter Umständen keine EOD-Markierung (Datenende) auf das Band. In diesem Fall wird das Band möglicherweise nicht ordnungsgemäß formatiert, sodass die auf dem Band gespeicherten Daten verloren gehen. In der Regel können die Daten eines ordnungsgemäß formatierten Magnetbands jedoch bis zu dem Punkt gelesen werden, an dem der Fehler aufgetreten ist.

Falls sich eine Kassette oder das Magazin durch Erzwingen eines Auswurfs nicht aus dem Gerät entfernen lässt, setzen Sie sich bitte mit dem Technischen Support der Firma Seagate in Verbindung.

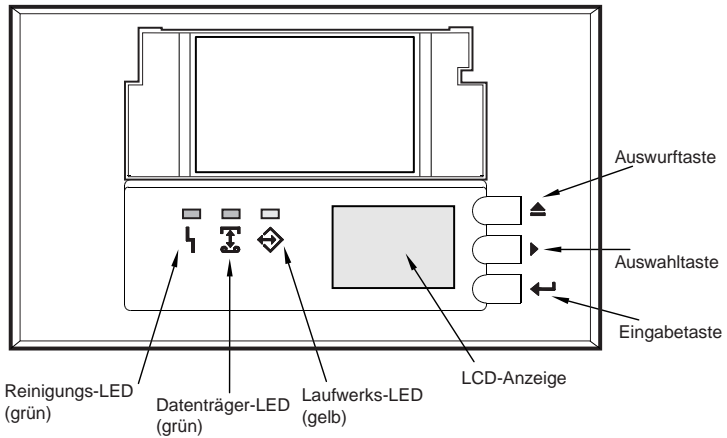
Automatisches und manuelles Einlegen von Kassetten

Nachdem Sie das Magazin mit Kassetten bestückt und in den Magazinschacht eingeschoben haben, kann der Autoloader beliebig lange unbeaufsichtigt im Lese-/Schreibmodus (gesteuert durch Ihre Sicherungssoftware) betrieben werden.

Wenn Sie ein Band von Hand einlegen möchten, drücken Sie die Auswahl Taste, wählen Sie den gewünschten Kassetteneinschub aus, und betätigen Sie die Eingabetaste.

Bedienung der Tasten an der Gerätevorderseite

In diesem Abschnitt wird die Funktion der Tasten an der Vorderseite des Autoloaders beschrieben. Eine Übersicht über diese Tasten finden Sie in Abbildung 11.

Abbildung 11: Vorderansicht des Autoloaders

Auswurf-taste

Mit Hilfe der Auswurf-taste können Sie das Magazin auswerfen oder eine Kassette aus dem Laufwerk entfernen. Nachdem Sie die Auswurf-taste betätigt haben, müssen Sie Ihre Anforderung durch Drücken der Eingabetaste bestätigen.

Auswahl-taste

Mit Hilfe der Auswahl-taste können Sie die Bandkassetten im Magazin gezielt anhand ihrer jeweiligen Positionsnummer (1 bis 6) auswählen, die Menüs in der LCD-Anzeige durchsuchen und, sofern sich kein Magazin im Autoloader befindet, auf die Loadermenüs zugreifen.

Eingabetaste

Mit Hilfe der Eingabetaste können Sie Menüeinträge in der LCD-Anzeige auswählen, eine Kassette in das Laufwerk laden (nachdem Sie sie mit der Auswahl-taste ausgewählt haben) oder, wenn sich eine Kassette im Laufwerk befindet, den Auswurf des Magazins bestätigen.

Funktionsweise der LED-Anzeigen an der Gerätevorderseite

An der Frontblende des Scorpion 240 Autoloaders befinden sich drei LED-Anzeigen zur Anzeige des Betriebszustands

sowie eventueller Fehler (siehe Abbildung 11 auf der vorhergehenden Seite). Eine Übersicht über die Signale der LED-Anzeigen finden Sie auf dieser und den folgenden Seiten.

Reinigungs-LED

Die Reinigungs-LED funktioniert wie folgt:

- Wenn die Reinigungs-LED erleuchtet ist, muss das Laufwerk gereinigt werden. Verwenden Sie zu diesem Zweck ausschließlich die von Seagate zugelassenen Reinigungskassetten (siehe Seite C-39).
- Wenn die Reinigungs-LED langsam blinkt, hat die Anzahl der aufgetretenen Datenfehler bei der Arbeit mit der derzeit eingelegten Kassette den voreingestellten Grenzwert überschritten. Dieses Warnsignal bedeutet nicht, dass bereits ein Datenverlust aufgetreten ist. Es soll Sie vielmehr daran erinnern, das Band bei der nächsten Gelegenheit zu entfernen und das Laufwerk mit einer von Seagate zugelassenen DDS-Reinigungskassette zu behandeln. Falls die Reinigungs-LED nach dem Reinigen des Laufwerks und Wiedereinlegen der ursprünglichen Datenkassette noch immer blinkt, sollten Sie für weitere Sicherungsvorgänge eine neue Bandkassette verwenden.

Datenträger-LED

- Die Datenträger-LED funktioniert wie folgt:
- Wenn die Datenträger-LED erleuchtet ist, befindet sich eine DDS-Kassette im Laufwerk, und das Gerät funktioniert ordnungsgemäß.
- Wenn die Datenträger-LED rasch blinkt, konnte das Laufwerk das Band nicht ordnungsgemäß beschreiben (die maximal zulässige Anzahl von Schreibversuchen wurde überschritten), sodass der Schreibvorgang als fehlgeschlagen abgebrochen wurde. In diesem Fall müssen Sie die Schreib-/Leseköpfe des Laufwerks mit einer von Seagate zugelassenen DDS-Reinigungskassette behandeln. Falls die LED-Anzeige nach dem Wiedereinlegen der ursprünglichen Datenkassette noch immer blinkt, sollten Sie eine neue

Datenkassette einlegen und den Sicherungsvorgang wiederholen.

Hinweis: Im Rahmen der routinemäßigen Wartung sollten Sie die Laufwerksköpfe bei Verwendung von DDS-1- oder DDS-2-Bändern alle 25 und bei Verwendung von DDS-3- oder DDS-4-Bändern alle 50 Betriebsstunden reinigen.

Laufwerks-LED

Die Laufwerks-LED funktioniert wie folgt:

- Wenn die Laufwerks-LED erleuchtet ist, wird das eingelegte Band gelesen oder beschrieben (SCSI- bzw. Bandaktivität).

Vorsicht: Eine Betätigung der Auswurfaste bei erleuchteter Laufwerks-LED bewirkt, dass der laufende Vorgang auf dem Hostgerät abgebrochen wird und ein Anwendungsfehler auftritt. Ein auf diese Weise abgebrochener Schreibvorgang kann möglicherweise nicht wieder aufgenommen werden, da sich unter Umständen keine weiteren Daten an das Ende der auf dem Band gespeicherten Daten anhängen lassen.

Hinweis: Nach der Ausgabe eines SCSI Prevent Media Removal-Befehls ist die Laufwerks-LED erleuchtet und die Auswurfaste deaktiviert, um einen versehentlichen Auswurf der Bandkassette zu verhindern.

- Wenn die Laufwerks-LED rasch blinkt, ist ein Hardwarefehler aufgetreten. Geschieht dies unmittelbar nach Einschalten des Laufwerks, so ist der Schalter für den Selbsttest bei Inbetriebnahme aktiviert und bei der Diagnoseprüfung ein Fehler aufgetreten. Wenn mehrere LED-Anzeigen an der Frontblende des Laufwerks gleichzeitig blinken, setzen Sie sich bitte mit dem Technischen Support der Firma Seagate in Verbindung. Wenn die Laufwerks-LED während des Betriebs rasch blinkt, sollten Sie versuchen, die Bandkassette durch Betätigen der Auswurfaste zu entfernen. Wird das Band

nicht innerhalb von 2 Minuten freigegeben, so halten Sie die Auswurfaste über einen Zeitraum von mehr als 5 Sekunden hinweg gedrückt. Der Bandauswurf sollte innerhalb von 40 Sekunden erfolgen. Weitere Informationen erhalten Sie vom Technischen Support der Firma Seagate.

LED-Anzeigen – Übersicht

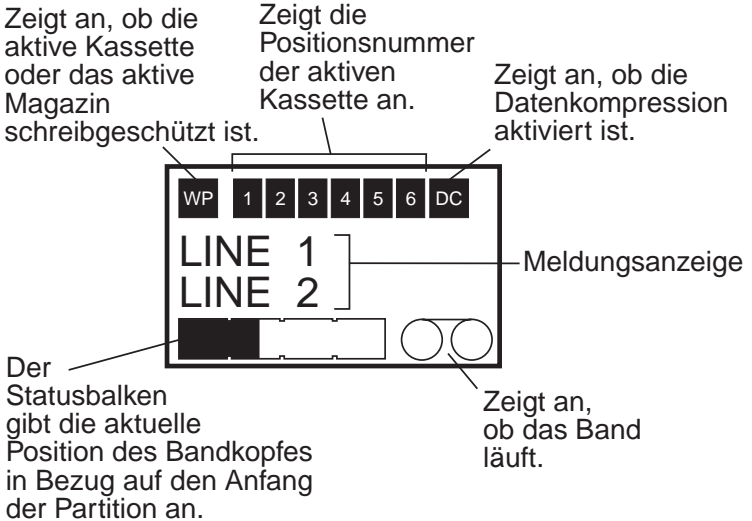
In der folgenden Tabelle finden Sie eine Übersicht über die LED-Anzeigen des Scorpion 240.

LED	Anzeige	Bedeutung
Reini- gung	EIN (erleuchtet)	Das Laufwerk ist seit mindestens 25 (DDS-1 und DDS-2) bzw. 50 Stunden (DDS-3 und DDS-4) in Betrieb und muss gereinigt werden.
	Blinkt langsam	Der interne Fehlergrenzwert wurde überschritten – das Laufwerk muss gereinigt werden.
	Blinkt	Die im Laufwerk befindliche Reinigungskassette ist nicht mehr funktionstüchtig. Ersetzen Sie die alte Reinigungskassette durch eine neue.
Daten- träger	EIN (erleuchtet)	Eine Bandkassette ist eingelegt und funktioniert ordnungsgemäß.
	Blinkt	Das Band konnte nicht ordnungsgemäß beschrieben werden (Schreibfehler). Reinigen Sie das Laufwerk mit einer von Seagate zugelassenen Reinigungskassette.
Lauf- werk	EIN (erleuchtet)	Das eingelegte Band wird ordnungsgemäß gelesen oder beschrieben.
	Blinkt rasch	Ein Hardwarefehler ist aufgetreten.

Funktionsweise der LCD-Anzeige an der Gerätevorderseite

Abbildung 12 enthält eine Übersicht über die auf dem LCD-Display an der Gerätevorderseite angezeigten Informationen.

Abbildung 12: Funktionen der LCD-Anzeige



Hintergrundbeleuchtung der LCD-Anzeige

Die Hintergrundbeleuchtung der LCD-Anzeige wird beim Einschalten des Autoloaders sowie beim Betätigen einer der Tasten an der Gerätevorderseite aktiviert und automatisch wieder ausgeschaltet, wenn über einen Zeitraum von zwei Minuten hinweg keine weitere Tastenbetätigung erfolgt.

Meldungen in der LCD-Anzeige

In der Tabelle auf den folgenden Seiten finden Sie eine Übersicht über die Meldungen, die auf dem LDC-Display angezeigt werden können. Die Meldungen sind in alphabetischer Reihenfolge aufgeführt. Das Zeichen „X“ steht für die Positionsnummer des jeweils aktiven Kassetteneinschubs.

LCD-Anzeige	Beschreibung
KASSETTENINSTAL- LATIONSPROBLEM	Eine der Kassetten wurde nicht ordnungsgemäß in das Magazin eingelegt. Betätigen Sie die Auswurf-taste des Autoloaders (siehe Seite C-27), entnehmen Sie die Kassette aus dem Magazin und legen Sie sie ordnungsgemäß ein.
TÜRE PRÜFEN	Die Klappe des Autoloaders ist offen.
REINIGEN	Der Autoloader lädt eine Reinigungskassette in das Laufwerk.
REINIG. ERFORD.	Das Bandlaufwerk muss gereinigt werden.
TÜR VERRIEGELT	Die Klappe des Autoloaders ist verriegelt.
TÜR ENTRIEGELT	Die Klappe des Autoloaders ist entriegelt.
LAUFWERK FEHLER 04/XX/XX	Es liegt ein Problem mit dem Bandlaufwerk vor. Weitere Informationen erhalten Sie vom Technischen Support der Firma Seagate.
LÖSCHE BAND X	Die Bandkassette an Position X wird gelöscht.
AUSWURF MAGAZIN	Das Magazin wird ausgeworfen.
AUSWURF? EINGABE DRÜCKEN	Die Auswurf-taste wurde gedrückt, während sich ein Band im Laufwerk befindet. Die Bandkassette wird erst nach Bestätigung freigegeben.
AUSWURF GEBLOCKT	Das Magazin kann nicht ausgeworfen werden, weil die PMR-Funktion (Prevent Media Removal) des Autoloaders in der Software aktiviert wurde.
LÜFTER VERSAGEN	Es liegt ein Problem mit dem Lüfter des Autoloaders vor. Bitte setzen Sie sich mit dem Technischen Support der Firma Seagate in Verbindung.
LEERES MAGAZIN EINLEGEN	Der Autoloader kann ein Band nicht entladen und die Kassette in das Magazin verschieben, da dieses vollständig mit Kassetten bestückt ist. Werfen Sie das Magazin aus, und legen Sie ein leeres Magazin in den Autoloader ein. Weitere Informationen zum Auswerfen eines Magazins finden Sie im Abschnitt „Auswerfen einer Kassette oder eines Magazins“ auf Seite C-27.
LOADER-VERSAGEN 04/XX/XX	Es liegt ein Problem mit der Hardware des Autoloaders vor. Weitere Informationen erhalten Sie vom Technischen Support der Firma Seagate.
LADE BAND X	Die Bandkassette an Position X wird geladen.

LCD-Anzeige	Beschreibung
MEDIUM-FEHLER 03/XX/XX	Es liegt ein Problem mit der Bandkassette vor. Weitere Informationen erhalten Sie vom Technischen Support der Firma Seagate.
KEIN MAGAZIN	Es befindet sich kein Magazin im Autoloader.
LESE BAND X	Das Band an Position X wird eingelesen.
BEREIT	Der Autoloader hat alle Kassetteneinschübe des Magazins überprüft und ist funktionsbereit.
BAND X BEREIT	Die Bandkassette an Position X wurde in das Bandlaufwerk geladen, und der Autoloader ist funktionsbereit.
REING.-BAND ERNEUERN	Die Reinigungskassette ist aufgebraucht und muss durch eine neue Reinigungskassette ersetzt werden.
BAND X ZRCKSP	Die Bandkassette an Position X wird zurückgespult.
DURCHSUCHEN X	Der Autoloader überprüft die einzelnen Kassetteneinschübe des Magazins.
SUCHE BAND X	Das Bandlaufwerk sucht die Bandkassette an Position X.
WÄHLE X EINGABE DRÜCKEN	Diese Meldung wird angezeigt, wenn Sie die Auswahltaste betätigen. Drücken Sie die Auswahltaste mehrmals hintereinander, bis die gewünschte Positionsnummer (X) angezeigt wird, und betätigen Sie anschließend die Eingabetaste, um das ausgewählte Band in das Laufwerk zu laden.
AUSWAHL GEBLOCKT	Sie können kein Band auswählen und laden, weil das Hostgerät die PMR-Funktion (Prevent Media Removal) aktiviert hat. Diese Funktion verhindert, dass das im Laufwerk befindliche Band freigegeben wird.
ENTLADE BAND X	Die Bandkassette an Position X wird entladen.
FIRMWARE WIRD AKTUAL.	Die Firmware des Autoloaders oder des Bandlaufwerks wird aktualisiert.
WARTEN SELBSTTEST	Diese Meldung erscheint nach dem Einschalten des Bandlaufwerks, während die Diagnoseprüfung (POST – Power-On Self-Test) durchgeführt wird.
SCHREIBE BAND X	Die Bandkassette an Position X wird beschrieben.

Konfigurieren der Autoloader-Funktionen mit Hilfe der LCD-Anzeige

Wenn Sie den Autoloader mit Hilfe der LCD-Anzeige konfigurieren möchten, stellen Sie zunächst sicher, dass sich kein Magazin im Gerät befindet. Halten Sie anschließend die Auswahl Taste fünf Sekunden lang gedrückt. Nun können Sie durch Betätigen der Auswahl Taste nacheinander die folgenden Menüs aufrufen: VERSION, SPRACHE, KONTRAST, AUTOLOAD und TÜR. Eine Beschreibung dieser Menüs finden Sie in den folgenden Abschnitten. Zum Anzeigen eines bestimmten Menüs wählen Sie den gewünschten Menüeintrag aus und drücken die Eingabetaste.

Versionsmenü

Im Menü VERSION können Sie durch Betätigen der Auswahl Taste den Namen des Autoloaders sowie seine SCSI-ID, Firmware-Version und Seriennummer anzeigen.

Sprachmenü

Im Menü SPRACHE können Sie die Sprache für die Meldungsanzeige auf dem LCD-Display auswählen. Folgende Sprachen sind verfügbar: Englisch, Französisch, Deutsch, Italienisch, Portugiesisch, Japanisch und Spanisch. Drücken Sie die Auswahl Taste so lange, bis die gewünschte Sprache angezeigt wird, und betätigen Sie die Eingabetaste.

Kontrastmenü

Im Menü KONTRAST können Sie die Helligkeit der LCD-Anzeige einstellen. Wenn Sie die Eingabetaste drücken, wird die Anzeige heller; betätigen Sie die Auswahl Taste, so wird sie dunkler.

Autoload-Menü

Im Menü AUTOLOAD können Sie den automatischen Einzug der Bandkassetten aus dem Magazin in das Bandlaufwerk aktivieren oder deaktivieren.

Hinweis: Dieses Leistungsmerkmal sollte nur verwendet werden, wenn *keine* Software zur Steuerung des Loaders installiert ist.

Die meisten für die Windows NT/2000-Plattform erhältlichen Softwareprogramme unterstützen die für den Loader-Betrieb erforderlichen SCSI-Befehle. In einer solchen Betriebsumgebung wird empfohlen, die Voreinstellung der Autoload-Funktion (deaktiviert) zu übernehmen. Wenn Sie nicht sicher sind, ob Ihre Softwareanwendung in der Lage ist, den Autoloader selbst zu steuern, wenden Sie sich bitte an Ihren Softwarehändler.

In Unix-/Linux-Umgebungen hingegen bietet die Sicherungssoftware häufig keine direkte Unterstützung für den Autoloader-Betrieb. In diesem Fall wird der „offline“-Befehl verwendet, um die Bänder in der Reihenfolge ihrer Positionsnummern zu wechseln. Mit Hilfe der Autoload-Funktion lässt sich eine Unix-/Linux-Umgebung unter Umständen für selbstständig ablaufende Sicherungsvorgänge einrichten.

Zum Aktivieren der Autoload-Funktion wählen Sie den Menüeintrag EIN und drücken die Eingabetaste. Nach dem Einlegen des Magazins wird die Kassette an Position 1 nun automatisch in das Laufwerk geladen. Bei aktivierter Autoload-Funktion können Sie nach wie vor durch Betätigen der Auswahl Taste einen Bandwechsel durchführen. Hierbei wird jedoch immer nur das Band mit der jeweils nächsthöheren Positionsnummer eingelegt.

Zum Deaktivieren der Autoload-Funktion wählen Sie den Menüeintrag AUS und drücken die Eingabetaste. Bei deaktivierter Autoload-Funktion können die Bandkassetten nur mit Hilfe der Bedienelemente an der Gerätevorderseite oder eines Softwareprogramms mit Unterstützung für Autoloaderfunktionen geladen und freigegeben werden.

Türmenü

Im Menü TÜR können Sie die Klappe des Autoloaders verriegeln und entriegeln. Wenn Sie die Klappe verriegeln möchten, wählen Sie den Menüeintrag VERRIEG und drücken die Eingabetaste.

Zum Entriegeln der Klappe wählen Sie den Menüeintrag ENTRIEG und drücken die Eingabetaste.

Reinigen des Bandlaufwerks

Wenn sich an einem oder mehreren der Schreib-/Leseköpfe des Bandlaufwerks übermäßig viel Staub oder Bandabrieb abgelagert hat, kann das eingelegte Band möglicherweise nicht mehr ordnungsgemäß gelesen und beschrieben werden und der Archivierungsvorgang wird durch eine zu hohe Anzahl von Fehlern behindert. Bei Überschreiten des Reinigungsschwellenwerts werden Sie automatisch darauf hingewiesen, dass die Laufwerksköpfe gereinigt werden müssen:

- Auf dem LCD-Display erscheint die Meldung REINIG. ERFORD.
- Die Reinigungs-LED leuchtet auf.

Hinweis: Wenn die Reinigungs-LED langsam blinkt, ist das Band möglicherweise beschädigt oder abgenutzt und nicht mehr funktionstüchtig. Blinkt die LED-Anzeige nach dem Reinigen der Laufwerksköpfe noch immer, so sollten Sie die Bandkassette austauschen.

Die empfohlenen Reinigungsintervalle entnehmen Sie bitte der folgenden Tabelle.

Tägliche Nutzungsdauer (in Stunden)	Empfohlenes Reinigungsintervall (für DDS-4-Bandkassetten)
4	Zweimal monatlich
8	Wöchentlich
> 12	Zweimal wöchentlich

Vorgehensweise

Verwenden Sie zum Reinigen der Schreib-/Leseköpfe Ihres DDS-4-Laufwerks ausschließlich die von Seagate zugelassenen Reinigungskassetten für DDS-4-Geräte. Eine Seagate-Reinigungskassette (Modell STDMCL) kann unter der

folgenden Internetadresse angefordert werden:

<http://buytape.seagate.com>.

Hinweis: Reinigungskassetten für DAT-Audiogeräte werden vom Laufwerk nicht erkannt.

Manuelle Reinigung

Gehen Sie folgendermaßen vor, um das Laufwerk von Hand zu reinigen:

1. Legen Sie die Reinigungskassette in einen der Einschübe des Magazins ein und laden Sie das Magazin in den Autoloader.
2. Geben Sie mit Hilfe der Auswahltaste die Position an, an der sich die Reinigungskassette befindet.
3. Drücken Sie die Eingabetaste, um die Reinigungskassette in das Bandlaufwerk zu laden. Der Reinigungszyklus wird automatisch eingeleitet.
4. Falls die Reinigungskassette nach Beendigung des Reinigungszyklus nicht automatisch ausgeworfen wird, drücken Sie die Auswurfaste, um sie wieder in das Magazin zu schieben. Drücken Sie anschließend die Auswurfaste ein zweites Mal, um das Magazin freizugeben, und entfernen Sie die Reinigungskassette.
5. Vermerken Sie das Datum der Reinigung auf dem Etikett der Reinigungskassette.

Bei jedem Einlegen der Reinigungskassette wird ein neuer, ungebrauchter Abschnitt des Reinigungsbandes durch den gesamten Bandlaufpfad gezogen. Die Kassette wird nach dem Reinigungsvorgang nicht zurückgespult. Nach etwa 30 Reinigungszyklen ist das gesamte Band aufgebraucht und muss durch eine neue Reinigungskassette ersetzt werden.

Wenn Sie eine aufgebrauchte Reinigungskassette erneut einlegen, wird der Reinigungsvorgang nicht gestartet. Stattdessen blinkt die Reinigungs-LED rasch, und auf dem LCD-Display erscheint die Meldung REING.-BAND ERNEUERN. Die Reinigungskassette wird nicht in das Magazin zurückgeschoben, die Reinigungs-LED bleibt

erleuchtet, und auf dem LCD-Display erscheint die Meldung REINIG. ERFORD. Drücken Sie in diesem Fall die Auswurf-taste, entfernen Sie das Magazin und legen Sie eine neue Reinigungskassette ein.

Automatische Reinigung

Wenn Ihr Datensicherungsprogramm über eine Funktion zur Reinigung der Laufwerksköpfe verfügt, können Sie den Vorgang auch über die Software steuern. Einige Softwareprogramme verwenden für die automatische Reinigung des Laufwerks standardmäßig eine Reinigungskassette an Position 6. Die Software weist den Autoloader an, die Kassette in das Bandlaufwerk zu laden, und leitet den Reinigungszyklus ein. Nach Abschluss des Reinigungsvorgangs wird die Reinigungskassette automatisch freigegeben und in das Magazin zurückgeschoben. Ausführliche Informationen hierzu finden Sie in der Dokumentation zu Ihrem Datensicherungsprogramm.

Wenn sich bei der automatischen Reinigung eine aufgebrauchte Reinigungskassette im Magazin befindet, wird der Reinigungsvorgang nicht gestartet. Stattdessen erscheint auf dem LCD-Display die Meldung REING.-BAND ERNEUERN. Anschließend wird die Reinigungskassette in das Magazin zurückgeschoben, die Reinigungs-LED bleibt erleuchtet, und auf dem LCD-Display erscheinen die Meldungen REINIG. ERFORD. und REING.-BAND ERNEUERN. Nach Beendigung des Softwareprogramms können Sie die Auswurf-taste betätigen, um das alte Reinigungsband zu entnehmen und das neue Reinigungsband einzulegen.

Informationen zu DDS-4-Kassetten

Kompatible DAT-Kassetten

Seagate DDS-4-Laufwerke sind für die in der folgenden Liste aufgeführten Kassetten und vergleichbare datenfähige DDS-Kassettentypen ausgelegt.

Hinweis: DDS-1-Bänder mit einer Länge von 60 m können in Verbindung mit diesem Laufwerk nicht eingesetzt werden.

- Modell M32000
(DDS-1, 90 m; 2 GB unkomprimiert)
- Modell M34000
(DDS-2, 120 m; 4 GB unkomprimiert)
- Modell STDM24G
(DDS-3, 125 m; 12 GB unkomprimiert)
- Modell STDM40
(DDS-4, 150 m; 20 GB unkomprimiert)

Aktivieren des Schreibschutzes von DAT-Kassette und Magazin

Abbildung 13 zeigt, wie Sie den Schreibschutz einer DAT-Kassette mit Hilfe des Schreibschutzschiebers aktivieren bzw. deaktivieren. Daten können nur dann auf Band aufgezeichnet werden, wenn der Schieber geschlossen und der Schreibschutz damit deaktiviert ist.

Abbildung 13: Schreibschutzschieber einer DAT-Kassette

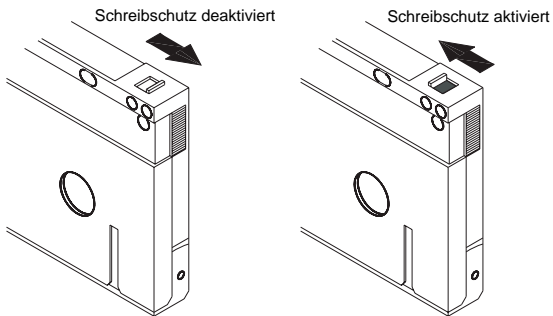
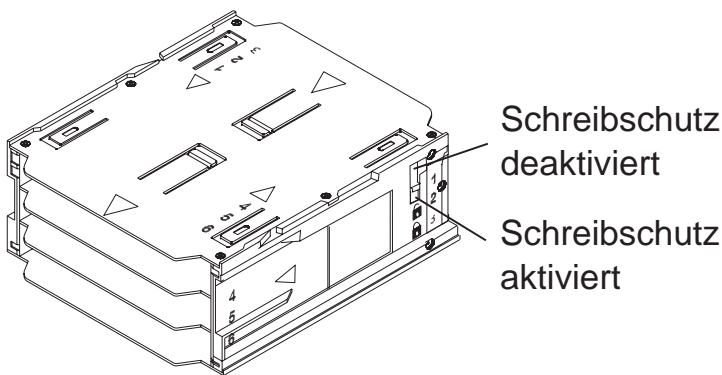


Abbildung 14 zeigt, wie Sie den Schreibschutz eines Scorpion 240-Magazins aktivieren. Zum Deaktivieren des Schreibschutzes bewegen Sie den Schieber nach oben. Wenn Sie verhindern möchten, dass die Bänder im Magazin beschrieben werden können, bewegen Sie den Schieber nach unten.

Abbildung 14: Schreibschutzschieber des Autoloader-Magazins



Vorbereitungen für den Transport

Vor dem Transport des Scorpion 240 müssen Sie die Klappe des Autoloaders verriegeln, um einer Beschädigung des Laufwerks vorzubeugen. Führen Sie zu diesem Zweck unmittelbar vor dem Ausschalten des Autoloaders die folgenden Arbeitsschritte aus:

1. Entfernen Sie das Magazin aus dem Autoloader. Auf dem LCD-Display erscheint die Meldung KEIN MAGAZIN.
2. Halten Sie die Auswahl Taste fünf Sekunden lang gedrückt. Auf dem LCD-Display erscheint das folgende Menü:
> VERSION
SPRACHE
KONTRAST

3. Drücken Sie die Auswahl Taste viermal hintereinander. Der Cursor (>) befindet sich nun vor dem Menüeintrag TÜR:
KONTRAST
AUTOLOAD
> TÜR
4. Drücken Sie die Eingabetaste. Auf dem LCD-Display erscheint das folgende Untermenü:
TÜR
> VERRIEG
ENTRIEG
5. Drücken Sie die Auswahl Taste einmal, um den Cursor vor den Menüeintrag VERRIEG zu bewegen, und betätigen Sie die Eingabetaste. Auf dem LCD-Display erscheint wieder das in Schritt 3 dargestellte Menü.
6. Warten Sie fünf Sekunden. Auf dem LCD-Display erscheint wieder die Meldung KEIN MAGAZIN. Nach weiteren fünf Sekunden erscheint auf dem LCD-Display die Meldung TÜR VERRIEGELT.
7. Schalten Sie den Autoloader aus.
8. Tippen Sie mit dem Finger vorsichtig gegen die Klappe, um sich zu vergewissern, dass sie nicht versehentlich geöffnet werden kann.

Die Klappe ist nun verriegelt, und der Autoloader kann für den Transport verpackt werden. Bei Inbetriebnahme des Laufwerks wird die Klappe automatisch wieder entriegelt.

Konfigurieren für UNIX-, NOVELL- und Windows NT-Betriebssysteme

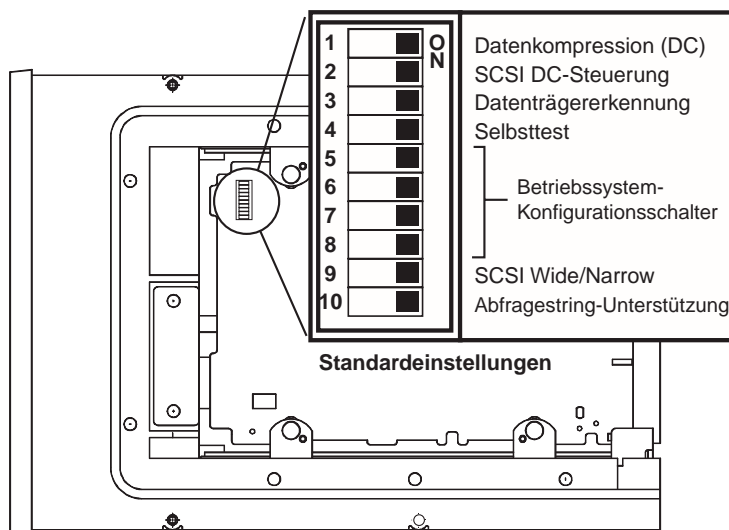
In diesem Abschnitt wird beschrieben, wie Sie das Scorpion 240 für den Einsatz unter verschiedenen UNIX-, Novell- und Windows NT-Betriebssystemen konfigurieren.

Betriebssystem-Konfigurationsschalter

Eine Übersicht über die Betriebssystem-Konfigurationsschalter (Schalter 5 bis 8) an der Unterseite des internen Laufwerks finden Sie in Abbildung 15.

Hinweis: Wenn Sie das Laufwerk unter einem Betriebssystem einsetzen möchten, das an dieser Stelle nicht beschrieben ist, sollten Sie die Voreinstellung der Konfigurationsschalter übernehmen.

Abbildung 15
Betriebssystem-Konfigurationsschalter an der Unterseite des Scorpion 240



Konfigurieren für die Windows NT-Umgebung

Wenn Sie Windows NT 4.0 mit dem 4mmDAT.SYS-Treiber der Firma Microsoft verwenden, *müssen* Sie Schalter 10 (Abfragestring) auf AUS stellen. Verwenden Sie hingegen den Seagate-Treiber STDAT4.SYS, so können Sie die Voreinstellung für Schalter 10 (EIN) übernehmen. Unabhängig vom verwendeten Treiber sollten alle vier Betriebssystem-Konfigurationsschalter auf EIN gesetzt sein (Standardeinstellung).

Konfigurieren für Novell-Umgebungen

In der folgenden Tabelle finden Sie eine Übersicht über die Dip-Schaltereinstellungen für verschiedene Novell-Betriebssysteme und Treiber. Diese Konfigurationen werden in den nachfolgenden Abschnitten ausführlicher beschrieben.

Betriebssystem / Bandtreiber- Software	Schalter 5	Schalter 6	Schalter 7	Schalter 8
Novell 4.11 mit nativem Backup-Applet und TAPEDAI-Treiber oder NWTAPE.CMD-Treiber (vor 3.11.99)	AUS	EIN	EIN	AUS
Novell 4.11 mit nativem Backup-Applet und NWTAPE-Treiber (nach 3.11.99)	EIN	EIN	EIN	EIN
Novell 5.x mit nativem Backup-Applet und NWTAPE.CMD-Treiber (vor 3.11.99)	AUS	EIN	EIN	AUS
Novell 5.x mit nativem Backup-Applet und NWTAPE.CMD-Treiber (nach 3.11.99)	EIN	EIN	EIN	EIN

Novell 4.11

Die Konfigurationseinstellungen des Scorpion 240 für den Einsatz in Verbindung mit Novell 4.11 sind von dem jeweils verwendeten Bandtreiber abhängig.

Konfiguration 1: Wenn Sie den nativen Novell TAPEDAI-Treiber oder eine Version des NWTAPE-Treibers verwenden, die vor dem 3.11.99 erstellt wurde, müssen Sie die Betriebssystem-Konfigurationsschalter 5 und 8 auf AUS stellen (siehe oben stehende Tabelle). In diesem Fall dürfen Sie die Voreinstellung der Dip-Schalter (alle Schalter auf EIN) also nicht übernehmen.

Konfiguration 2: Wenn Sie den *neuesten* Novell NWTAPE-Treiber verwenden, der auf der Novell-Website zum Download bereit steht, sollten Sie die Voreinstellung der Betriebssystem-Konfigurationsschalter (alle Schalter auf EIN) übernehmen. Zum Einbinden dieses Treibers kopieren Sie den neuen NWTAPE-Treiber auf der Administrator-Workstation in das Verzeichnis, in dem sich auch der TAPEDAI-Treiber befindet. In der Regel handelt es sich hierbei um das Systemverzeichnis. Bearbeiten Sie alle .ncf-Dateien (z. B. die Datei autoexec.ncf), in denen der TAPEDAI-Treiber aufgerufen wird, und ersetzen Sie in den Aufrufen die Zeichenfolge TAPEDAI durch die Zeichenfolge NWTAPE. Der TAPEDAI-Treiber selbst sollte jedoch nicht gelöscht werden, da er unter Umständen noch für bestimmte Verfahren zur Fehlerbehebung benötigt wird.

Novell 5.x

Die Konfigurationseinstellungen des Scorpion 240 für den Einsatz in Verbindung mit Novell 5.x sind von dem jeweils verwendeten Bandtreiber abhängig.

Konfiguration 1: Wenn Sie noch mit dem nativen Novell TAPEDAI-Treiber oder einer Version des NWTAPE-Treibers arbeiten, die vor dem 3.11.99 erstellt wurde, müssen Sie die Betriebssystem-Konfigurationsschalter 5 und 8 auf AUS stellen (siehe umseitige Tabelle). In diesem Fall dürfen Sie die Voreinstellung der Dip-Schalter (alle Schalter auf EIN) also nicht übernehmen.

Konfiguration 2: Wenn Sie den *neuesten* Novell NWTAPE-Treiber verwenden, der auf der Novell-Website zum Download bereit steht, können Sie die Voreinstellung der Betriebssystem-Konfigurationsschalter (alle Schalter auf EIN) übernehmen. Vor dem Installieren des neuen NWTAPE-Treibers sollten Sie den alten NWTAPE-Treiber umbenennen. Dieser Treiber befindet sich in der Regel im Systemverzeichnis. Kopieren Sie anschließend die neue Version des NWTAPE-Treibers in dasselbe Verzeichnis. Der ursprüngliche Treiber sollte jedoch nicht gelöscht werden, da er unter Umständen noch für bestimmte Verfahren zur Fehlerbehebung benötigt wird.

Konfigurieren für die DEC UNIX-Umgebung

Dip-Schaltereinstellungen

Bevor Sie das Scorpion 240 in einer DEC UNIX-Umgebung einsetzen, sollten Sie die Betriebssystem-Konfigurationsschalter wie folgt einstellen:

	Schalter 5	Schalter 6	Schalter 7	Schalter 8
Einstellung	AUS	EIN	EIN	EIN

Digital UNIX ab Version 4.0

Mit Version 4.0 ihres UNIX-Betriebssystems hat die Firma DEC eine neue Methode zur Konfiguration des CAM SCSI-Treibers eingeführt. Bearbeiten Sie die Datei **/etc/ddr.dbase** wie folgt:

1. Durchsuchen Sie die Datei nach dem Datenbankeintrag für das DEC TLZ07 DAT-Laufwerk.
2. Kopieren Sie diesen Eintrag und fügen Sie ihn später wieder in die Datei ein, um die Dateisyntax beizubehalten.
3. Bearbeiten Sie diesen neuen Eintrag wie folgt:

```
SCSIDEVICE
#
Type = tape
Name = "SEAGATE" "DAT"
#
PARAMETERS:
    TypeSubClass           = rdat
    TagQueueDepth          = 0
    MaxTransferSize        = 0x0ffffff # (16MB - 1)
    ReadyTimeSeconds       = 60        # seconds

DENSITY:
#
DensityNumber = 0,3,4,5,6,7
DensityCode = default
CompressionCode = 0x0
Buffered = 0x1

DENSITY:
#
DensityNumber = 1,2
DensityCode = default
```

```
CompressionCode = 0x1
Buffered = 0x1
```

4. Speichern Sie die Datenbankdatei.
5. Geben Sie das folgende Kommando ein: **ddr_config -c**. Auf diese Weise erstellen Sie eine neue Gerätedatenbank auf der Grundlage der Standardeingabedatei ddr.dbase. Die Vorgaben der neuen Gerätedatenbank treten unmittelbar in Kraft; der Kernel muss zu diesem Zweck also nicht neu aufgebaut werden.

Digital UNIX vor Version 4.0

Zum Konfigurieren des Systems muss die Datei **cam_data.c** bearbeitet werden. Diese Datei befindet sich je nach der aktuellen Systemkonfiguration entweder im Verzeichnis `/usr/sys/data` oder im Verzeichnis `/sys/data`. Gehen Sie wie in der folgenden Anleitung beschrieben vor, um die Datei `cam_data.c` zu ändern:

1. Durchsuchen Sie die Datei nach dem Datenbankeintrag für den Treiber "TLZ07 - RDAT".
2. Kopieren Sie diesen Eintrag und fügen Sie ihn später wieder in die Datei ein, um die Syntax der C-Quelldatei beizubehalten.
3. Bearbeiten Sie den neuen Eintrag wie folgt:

```
/* Seagate DAT Drive Returning "SEAGATE DAT" Inquiry */
{"SEAGATE DAT", 14, DEV_TLZ07,
 (ALL_DTYPE_SEQUENTIAL << DTYPE_SHFT) | SZ_RDAT_CLASS,
 (struct pt_info *)ccmn_null_sizes, SZ_NO_BLK, (DEC_MAX_REC - 1),
 &tlz07_dens, NO_MODE_TAB, SZ_NO_FLAGS,
 NO_OPT_CMDS, SZ_READY_DEF, SZ_NO_QUEUE,
 DD_REQSNS_VAL | DD_INQ_VAL, 36, 64
},
```

4. Bauen Sie den Kernel mit Hilfe des *doconfig*-Skripts neu auf und führen Sie einen Neustart des Systems durch.

Konfigurieren für die Sun UNIX-Umgebung

Dip-Schaltereinstellungen

Bevor Sie das Scorpion 240 in einer Sun UNIX-Umgebung einsetzen, sollten Sie die Betriebssystem-Konfigurationsschalter wie folgt einstellen:

	Schalter 5	Schalter 6	Schalter 7	Schalter 8
Einstellung	EIN	AUS	EIN	EIN

Sun OS 4.1.x

Zum Konfigurieren von SunOS 4.1x für die Nutzung des Scorpion 240 müssen Sie die Dateien **stdef.h** und **st_conf.c** (im Verzeichnis /usr/sys/scsi/ targest) bearbeiten und den Kernel anschließend neu aufbauen. Gehen Sie hierzu wie in der folgenden Anleitung beschrieben vor:

1. Nehmen Sie die folgende define-Anweisung für das Seagate-Laufwerk in die Datei **stdef.h** auf:

```
#define ST_TYPE_SEAGATE_DAT <Wert>
```

Diese Anweisung sollte als letzte ST_TYPE_define-Anweisung in die Datei eingefügt werden. Geben Sie für <Wert> den jeweils nächsten ungenutzten Hexadezimalwert ein. Dieser Wert ist von der Version und der Anzahl der vom System unterstützten Geräte abhängig. Wenn dem letzten vorhandenen Gerät beispielsweise der Wert 0x2d zugeordnet ist, verwenden Sie für das neue Laufwerk den Wert 0x2e.

2. Hängen Sie die folgenden Zeilen an das Ende der Gerätedefinitionsliste in der Datei **st_conf.c** an:

```
/*Seagate DAT drive support */
{
  "SEAGATE DAT", 7, "SEAGATE", ST_TYPE_SEAGATE_DAT, 10240,
  (ST_VARIABLE | ST_BSF | ST_BSR | ST_LONG_ERASE | ST_KNOWS_EOD),
  5000, 5000,
  {0x0, 0x8c, 0x8c, 0x8c},
  {0, 0, 0, 0}
}
```


3. Verwenden Sie das entsprechende *config*-Kommando, um den Kernel neu aufzubauen und die neue Gerätedefinition einzubinden. Einzelheiten hierzu finden Sie auf der Online-Handbuchseite zum *config*-Befehl.

Solaris 2.x

1. Zum Konfigurieren von Solaris 2.x für die Nutzung des Scorpion 240 fügen Sie die folgenden Zeilen in die Datei **st.conf** im Verzeichnis */kernel/drv* ein:

```
tape-config-list=  
    "SEAGATE DAT    06240-XXX", "Seagate DAT Drive", "SEAGATE_DAT";  
SEAGATE_DAT = 1, 0x34, 0, 0xd639, 4, 0x00, 0x8C, 0x8C, 0x8C, 3;
```

- Hinweis:** Dieser Abfragestring weist zwischen dem Wort *DAT* und dem Wert *06240* vier Leerzeichen auf.
2. Nachdem Sie die Datei **st.conf** bearbeitet haben, müssen Sie das System mit dem Befehl *boot -r* neu starten, um die neue Kernelkonfiguration zu aktivieren.

Konfigurieren für die SGI-Umgebung

Dip-Schaltereinstellungen

Bevor Sie das Scorpion 240 in einer SGI UNIX-Umgebung einsetzen, sollten Sie sich vergewissern, dass die Betriebssystem-Konfigurationsschalter wie folgt eingestellt sind:

	Schalter 5	Schalter 6	Schalter 7	Schalter 8
Einstellung	EIN	EIN	EIN	EIN

Hinweis: Der hauptsächliche Unterschied zwischen Irix 5.x und 6.x im Hinblick auf die Unterstützung für Bandlaufwerke besteht darin, dass sich die Datenkompression ab Irix Version 6.2 über die Software einstellen lässt. Unter Irix 5.x verwendet das Laufwerk grundsätzlich die durch die Position von Schalter 6 an der Geräteunterseite vorgegebene Kompressionseinstellung (AUS = Kompression aktiviert, Standardeinstellung; EIN = Kompression deaktiviert).

Irix V5.x

Zum Konfigurieren von Irix 5.x für die Nutzung des Scorpion 240 müssen Sie die Datei `/var/sysgen/master.d/scsi` wie in der folgenden Anleitung beschrieben bearbeiten:

1. Fügen Sie den folgenden Eintrag in die Datei `/var/sysgen/master.d/scsi` ein:

```
{DATTAPE,TPDAT,7,12,"SEAGATE","DAT    06240"/*DAT*/,0,0,{0,0,0,0},
MTCAN_BSF|MTCAN_BSR|MTCAN_APPEND|MTCAN_SETMK|MTCAN_PART|MTCAN_PREV|
MTCAN_SYNC|MTCAN_SPEOD|MTCAN_CHKRDY|MTCAN_VAR|MTCAN_SETSZ|
MTCAN_SILI|MTCAN_SEEK|MTCAN_CHTYPEANY,
/* minimum delay on i/o is 12 minutes, to allow the Drives
* full error recovery sequence to be performed. */
40, 12*60, 12*60, 12*60, 512, 512*512 },
```

Hinweis: Dieser Abfragestring weist zwischen dem Wort `DAT` und dem Wert `06240` vier Leerzeichen auf.

2. Bauen Sie den Kernel anschließend mit dem entsprechenden autoconfig-Kommando neu auf. Einzelheiten hierzu finden Sie auf der Online-Handbuchseite zum autoconfig-Befehl. Nachdem Sie den Kernel neu aufgebaut haben, müssen Sie das System neu starten, damit die Änderungen wirksam werden.

Hinweis: Unter Irix ab Version 5.3 erkennt das System die vorgenommenen Änderungen automatisch und baut den Kernel beim nächsten Systemstart selbstständig neu auf.

Irix V6.x bis V6.5

Zum Konfigurieren von Irix 6.x-6.5 für die Nutzung des Scorpion 240 müssen Sie die Dateien

/var/sysgen/master.d/scsi und

/dev/MAKEDEV.d/TPS_base wie in der folgenden Anleitung beschrieben bearbeiten und den Kernel anschließend neu aufbauen.

1. Fügen Sie je nach der verwendeten IRIX-Version einen der folgenden Einträge in die Datei **/var/sysgen/master.d/scsi** ein:

IRIX V6.x bis V6.4:

```
{ DATTAPE, TPDAT, 7, 12, "SEAGATE", "DAT    06240"/*DAT*/, 0, 0, {0},
  /* This drive uses mode select page 0xf for compression control;
   * most of the other drives supporting compression use page 0x10 */
MTCAN_BSF|MTCAN_BSR|MTCAN_APPEND|MTCAN_SETMK|MTCAN_PART|MTCAN_PREV|
  MTCAN_SYNC|MTCAN_SPEOD|MTCAN_CHKRDY|MTCAN_VAR|MTCAN_SETSZ|
  MTCAN_SILI|MTCAN_SEEK|MTCAN_CHTYPEANY|MTCAN_COMPRESS,
  /* minimum delay on i/o is 12 minutes, to allow the Drives
   * full error recovery sequence to be performed. */
40, 12*60, 12*60, 12*60, 512, 512*512, 0, (u_char *)0 },
```

IRIX V6.5:

```
{ DATTAPE, TPDAT, 7, 12, "SEAGATE", "DAT    06240"/*DAT*/, 0, 0, {0},
  /* This drive uses mode select page 0xf for compression control;
   * most of the other drives supporting compression use page 0x10 */
MTCAN_BSF|MTCAN_BSR|MTCAN_APPEND|MTCAN_SETMK|MTCAN_PART|MTCAN_PREV|
```

```

MTCAN_SYNC|MTCAN_SPEOD|MTCAN_CHKRDY|MTCAN_VAR|MTCAN_SETSZ|
MTCAN_SILI|MTCAN_SEEK|MTCAN_CHTYPEANY|MTCAN_COMPRESS,
/* minimum delay on i/o is 12 minutes, to allow the Drives
   * full error recovery sequence to be performed. */
40, 12*60, 12*60, 12*60, 3*3600, 512, 512*512,
tpsc_default_dens_count, tpsc_default_hwg_dens_names,
tpsc_default_alias_dens_names,
{0},0,0,0,
0, (u_char *)0 },

```

2. Nehmen Sie an der Datei **/dev/MAKEDEV.d/TPS_base** die folgende Änderung vor (dies ist bei Systemen unter IRIX 6.4 und 6.5 nicht notwendig).

Suchen Sie den Abschnitt mit den Konfigurationseinstellungen für DAT-Laufwerke. Dieser Abschnitt beginnt mit der folgenden Zeichenfolge:

```
*Drive?type:*DAT*
```

Fügen Sie die folgenden Zeilen vor oder nach den ähnlich lautenden Einträgen für andere unterstützte Geräte in die Datei ein:

```

*Device:*DAT*06240*) # DAT drive with compression
  mdev=`expr $mdev + 8`;
  mknod ${prf}$1c c ${C_TPS} $mdev;
; ;

```

3. Starten Sie das System neu. Irix 6.x erkennt die vorgenommenen Änderungen und baut den Kernel beim nächsten Systemstart automatisch neu auf.

Sie haben jedoch auch die Möglichkeit, den Kernel mit Hilfe des entsprechenden autoconfig-Kommandos von Hand neu aufzubauen (siehe Online-Handbuchseite zum autoconfig-Befehl) und das System anschließend neu zu starten, damit die Änderungen wirksam werden.

Fehlerbehebung in Installationen auf der SGI-Plattform

Überprüfen des Abfragestrings für das Laufwerk

Unter Umständen kann es sinnvoll sein, den Abfragestring des Laufwerks zu überprüfen. Dies geschieht mit Hilfe des Befehls **mt**. Mit dem folgenden Kommando rufen Sie beispielsweise den Abfragestring und andere Statusdaten eines Laufwerks an SCSI-BUS 1, ID 4 ab:

```
mt -f /dev/rmt/tps1d4 status
```

Probleme beim systemübergreifenden Datenaustausch

Die folgende Fehlermeldung beim Wiederherstellen eines cpio-Archivs, das auf einem anderen System angelegt wurde, weist auf einen Fehler in der in Abschnitt 7.1 eingerichteten Installationssequenz hin:

```
Byte swapped Data - re-try with correct device
```

Wenn diese Fehlermeldung angezeigt wird, sollten Sie die in der Datei `/var/sysgen/master.d/scsi` vorgenommenen Änderungen überprüfen und gegebenenfalls korrigieren.

Umschalten der Hardwarekompression

Irix 6.x unterstützt die Einstellung der Hardwarekompression per Software durch Austauschen der Gerätetreiber. Treiber für die Aktivierung der Kompression sind mit dem Buchstaben "c" im Gerätenamen gekennzeichnet. Probleme im Zusammenhang mit der Datenkompression lassen sich oftmals durch Installieren des jeweils neuesten Irix 6.x-Patches beheben.

Konfigurieren für die HP-UX-Umgebung

Dip-Schaltereinstellungen

Bevor Sie das Scorpion 240 in einer HP UNIX-Umgebung einsetzen, sollten Sie die Betriebssystem-Konfigurationsschalter wie folgt einstellen:

	Schalter 5	Schalter 6	Schalter 7	Schalter 8
Einstellung	EIN	EIN	AUS	EIN

HP-UX Version 10.2 und 11

Führen Sie die folgenden Arbeitsschritte aus, um das HP-UX-System zu konfigurieren:

1. Melden Sie sich als "Root"-Benutzer an.
2. Rufen Sie das SAM-Dienstprogramm auf.
3. Wählen Sie die Option "Peripheral Devices".
4. Wählen Sie die Option "Tape Drives".
5. Wählen Sie im Fenster "Tape Device Manager" unter "Actions" den Befehl "Add".
6. Lesen Sie die Anweisungen im Fenster "Add a Tape Drive" und klicken Sie auf "OK".
7. Unter Umständen stellt SAM fest, dass die für den Einsatz Ihres neuen Bandlaufwerks erforderlichen Treiber in Ihrem HP-UX-Kernel nicht enthalten sind. Lesen Sie in diesem Fall die Hinweise im Fenster "Device Driver Check" und wählen Sie die entsprechende Maßnahme aus. Wenn Sie die Option "Build a new kernel and shut down the system immediately" wählen, erstellt SAM einen neuen Kernel und führt anschließend automatisch einen Neustart des Systems durch. Beim Hochfahren des Systems werden die benötigten Treiber geladen, sodass das System auf das Bandlaufwerk zugreifen kann.
8. Wenn Sie das System zum Anschließen des Bandlaufwerks herunterfahren mussten, rufen Sie das

Dienstprogramm SAM erneut auf und wiederholen die Schritte 3 bis 6 der oben stehenden Anleitung.

9. Wählen Sie das neue Bandlaufwerk aus.
10. Wählen Sie im Menü *Actions* den Befehl *Create Device Files*.
11. Klicken Sie auf "OK" und schließen Sie SAM.

Konfigurieren für die IBM AIX-Umgebung

Dip-Schaltereinstellungen

Bevor Sie das Scorpion 240 in einer IBM AIX-Umgebung einsetzen, sollten Sie die Betriebssystem-Konfigurationsschalter wie folgt einstellen:

	Schalter 5	Schalter 6	Schalter 7	Schalter 8
Einstellung	EIN	AUS	EIN	AUS

AIX ab Version 3.2

Ab Version 3.2 lässt sich das AIX-Betriebssystem mit Hilfe der SMIT-Option "Other SCSI Tape Drive" für die Zusammenarbeit mit dem Scorpion 240 konfigurieren.

Hinweis: Für das folgende Verfahren benötigen Sie die vom Bandlaufwerk benutzte SCSI-ID.

Gehen Sie folgendermaßen vor, um AIX mit Hilfe des SMIT-Dienstprogramms zu konfigurieren:

1. Wählen Sie im Menü "Tape Drive" den Befehl "smit tape", um das Dienstprogramm SMIT aufzurufen.
2. Wählen Sie den Befehl "Add a tape drive".
3. Geben Sie den Typ des Bandlaufwerks an, das Sie anschließen möchten. Wählen Sie hierzu die Option "Other SCSI Tape Drive".
4. Wählen Sie in der Liste den zuständigen SCSI-Adapter aus.

5. Das Dialogfeld "Add a Tape Drive" wird angezeigt. In diesem Dialogfeld müssen einige der Standardoptionen geändert werden, um die Leistung und Funktionalität des Laufwerks zu optimieren:
 - Geben Sie unter "Connection Address" die Einstellungen für Target und LUN (Logical Unit Number) des Bandlaufwerks ein (LUN ist immer 0). Hierbei steht die ID (Target) stets vor der LUN. Verwendet das Laufwerk beispielsweise die ID 5, so wählen Sie die Einstellung 5,0.
 - Setzen Sie den Wert im Feld "Blocksize" auf 1024.
 - Setzen Sie den Wert im Feld "Density 1" auf 140.
 - Setzen Sie den Wert im Feld "Maximum delay for the Read/Write command" auf 900.
6. Drücken Sie die Eingabetaste. Das System installiert das Laufwerk in der Systemdatenbank und erstellt die entsprechenden Gerätetreiber.
7. Beenden Sie SMIT.

Steuern der Datenkompression unter AIX

Das SMIT-Dienstprogramm hat die Gerätedateien für Ihr neues Bandlaufwerk erstellt und unter den folgenden Dateinamen auf Ihrem System gespeichert:

```
/dev/rmt0 /dev/rmt0.1 /dev/rmt0.2 /dev/rmt0.3  
/dev/rmt0.4 /dev/rmt0.5 /dev/rmt0.6 /dev/rmt0.7
```

Bei der Eingabe der Konfigurationsdaten in Schritt 5 des Konfigurationsverfahrens können Sie die Datenkompression durch Verwenden der Geräte rmt0, rmt0.2 und rmt0.3 aktivieren. Die Geräte rmt0.4, rmt0.5, rmt0.6 und rmt0.7 bewirken, dass das Laufwerk die Daten in unkomprimiertem Zustand auf den Datenträger schreibt.

Konfigurieren für SCO UNIX

Bevor Sie das Scorpion 240 in einer SCO UNIX-Umgebung einsetzen, sollten Sie die Betriebssystem-Konfigurationsschalter wie folgt einstellen:

	Schalter 5	Schalter 6	Schalter 7	Schalter 8
SCO ODT- und Open Server- Installation mit MAKDEV	AUS	EIN	EIN	AUS
SCO UnixWare 7.x	EIN	EIN	EIN	EIN

Konfigurieren für LINUX

Bevor Sie das Scorpion 240 in einer LINUX-Umgebung einsetzen, sollten Sie sich vergewissern, dass alle Betriebssystem-Konfigurationsschalter wie in der folgenden Tabelle dargestellt auf EIN stehen:

	Schalter 5	Schalter 6	Schalter 7	Schalter 8
Einstellung	EIN	EIN	EIN	EIN

Technische Daten

Kategorie	Spezifikation (Magazin à sechs Kassetten)
Leistungsdaten	
Bandlänge und -typ 90 m MP 120 m MP+ 125 m MP++ 150 m MP+++	(Datenkompressionsrate 2:1) 24,0 GB (4,0 GB/Kassette) 48,0 GB (8,0 GB/Kassette) 144,0 GB (24,0 GB/Kassette) 240,0 GB (40,0 GB/Kassette)
Aufzeichnungsdichte (DDS-4)	122.000 bpi (Bit pro Zoll)
Spurdichte (DDS-4)	147,34 Spuren/mm
Fehlerkorrektur	Read-after-write, Reed Solomon ECC (C3 - 3 Ebenen)
Nicht behebbare Aufzeichnungsfehler	< 1 pro 10 ¹⁵ Datenbits
Laufwerksköpfe	Jeweils 2 Lese- und Schreibköpfe
Aufzeichnungsformat	DDS-1, DDS-2, DDS-3, DDS-4
Kassettenmaße	2,9 x 2,1 x 0,4 Zoll (74 mm x 53 mm x 10 mm)
Übertragungsrate (Dauerbetrieb)	2,75 MB/s unkomprimiert 5,5 MB/s komprimiert
Synchronübertragungsrate (max)	80 MB/s (LVD) 40 MB/s (einseitig)
Suchgeschwindigkeit	400-fache Normalgeschwindigkeit
Mittlere Zugriffszeit Bandlänge 90 m Bandlänge 120 m Bandlänge 125 m Bandlänge 150 m	(je Kassette) < 30 s < 40 s < 40 s < 40 s
Dauer des Ladevorgangs	≤ 15 s
Dauer des Kassettenwechsels	≤ 8,5 s
Rotationsgeschwindigkeit der Bandwalze	10.000 U/min

Kategorie	Spezifikation (Magazin à sechs Kassetten)	
Umgebungsdaten		
Temperatur (Betrieb) (Lagerung)	+ 5 bis + 45 °C ¹ – 40 bis + 65 °C ²	
Wärmegradient	2 °C/min (nicht kondensierend)	
Relative Luftfeuchtigkeit (Betrieb) (Lagerung)	20 % bis 80 % nicht kondensierend 0 % bis 90 % nicht kondensierend	
Max. Feuchte bei Temp.	26 °C	
Höhe ü/NN (Betrieb) (Lagerung – ausgeschaltet)	100 bis + 4.575 m – 300 bis + 15.200 m	
Vibration (Lagerung)	1,5 g (5 bis 500 Hz)	
Vibration über Frequenzbereiche	1,20 mm Spitze/Spitze (5-17 Hz) 0,73 g Spitze (17-150 Hz) 0,50 g Spitze (150-500 Hz)	
Vibration Frequenzwechsel	8 Dekaden/h	
Vibration Dauertest (15 min)	0,90 mm Spitze/Spitze (5-17 Hz) 0,55 g Spitze (17-150 Hz) 0,25 g Spitze (150-500 Hz)	
Geräuscentwicklung Leerlauf	47 dBA max.	
Geräuscentwicklung Betrieb	60 dBA max. (gemessen in geeignetem Gehäuse, Abstand 90 cm in Arbeitshöhe)	
Erschütterung (1/2 Sinuswelle) Betrieb Lagerung	10 g Spitze, 11 ms 50 g Spitze, 11 ms	
Stromversorgung		
Spannung und Toleranz	+12 V GS ± 10 %	+5 V GS ± 7 %
Stromstärke (Betrieb/Spitzenwert)	0,7 / 2,4 A	1,7 / 2 A
Brummstrom (Spitze/Spitze)	≤ 100 mV	≤ 100 mV
Wärmeleistung (Standby)	< 11 W	
Wärmeleistung (Betrieb)	< 17 W	

Technischer Support

Falls bei der Installation oder beim Betrieb Ihres Bandlaufwerks Probleme auftreten sollten, setzen Sie sich bitte mit dem Technischen Support der Firma Seagate in Verbindung. Mit allgemeinen Fragen zu Seagate-Magnetbandprodukten und -anwendungen wenden Sie sich bitte an die Kaufberatung der Firma Seagate.

Weltweite Dienste:

World Wide Web: Eine Vielzahl technischer Support-Dienste sind auf der Seagate-Webseite unter der folgenden Adresse verfügbar: <http://www.seagate.com>

Die Online-Bestellseite für Seagate-Bandprodukte und -Zubehör finden Sie unter der folgenden Internetadresse: <http://buytape.seagate.com>

Technischer Support per E-Mail: Senden Sie Ihre Fragen oder Kommentare bitte an die folgende E-Mail-Adresse: tapesupport@seagate.com

Regionale Dienste

Seagate bietet technische Unterstützung durch verschiedene regionale Support-Zentren auf der ganzen Welt. In der Regel stehen hierbei die folgenden Dienste zur Verfügung:

- **Seagate Support-Telefon:** Während der lokalen Geschäftszeiten stehen Ihnen die Fachleute der technischen Support-Abteilung am Telefon zur Verfügung. Bitte notieren Sie sich vor Ihrem Anruf die Daten Ihrer Systemkonfiguration sowie die Modellnummer Ihres Laufwerks.
- **Seagate Support-Fax:** Sie können Ihre Fragen oder Kommentare auch per Fax an die Support-Abteilung der Firma Seagate senden. Die Antworten auf Ihre Fragen werden während der lokalen Geschäftszeiten verschickt.
- **SeaFAX:** Mit Hilfe eines tonwahlfähigen Telefons können Sie Antworten auf häufig gestellte Fragen auch beim

automatischen Faxrückrufsystem der Firma Seagate anfordern. Dieser Dienst ist täglich rund um die Uhr verfügbar.

- **SeaBOARD:** Der SeaBOARD-Dienst, das automatische Mailboxsystem der Firma Seagate, ist ebenfalls rund um die Uhr verfügbar. Stellen Sie Ihr Modem bitte wie folgt ein: 8 Datenbits, keine Parität, ein Stopppbit (8-N-1).

Support-Dienste in Amerika

Telefonische Hotline

(Weiterleitung an eine produktspezifische Telefon- oder SeaFAX-Nummer)

Anrufer aus den USA: 1-800-SEAGATE

Anrufer aus anderen Ländern: 1-405-936-1234

Seagate Support-Fax (USA und international):
1-405-936-1683

SeaTDD (Telefonische Hotline für Gehörlose, USA und international): 1-405-936-1687

SeaBOARD (USA und international): 1-405-936-1630

Kaufberatung: 1-800-626-6637

Support-Dienste in Europa

In Europa wählen Sie bitte die in Ihrem Land eingerichtete, gebührenfreie Hotline- bzw. SeaFAX-Nummer. Die Rufnummer des **Seagate Support-Fax** lautet für alle europäischen Länder +31-20-653-3513.

Land	Telefon / SeaFAX
Österreich	0 800-20 12 90
Belgien	0 800-74 876
Dänemark	80 88 12 66
Frankreich	0 800-90 90 52
Deutschland	0 800-182 6831 (siehe auch SeaBOARD unter 49-89-1409331)
Irland	1 800-55 21 22
Italien	800-790695
Niederlande	0 800-732 4283
Norwegen	800-113 91

Land	Telefon / SeaFAX
Polen	00 800-311 12 38
Spanien	900-98 31 24
Schweden	0 207 90 073
Schweiz	0 800-83 84 11
Türkei	00 800-31 92 91 40
Großbritannien	0 800-783 5177

Anrufer aus europäischen Ländern, die in der Liste auf der vorhergehenden Seite nicht aufgeführt sind, wenden sich bitte unter der Rufnummer +31-20-316-7222 an unser Callcenter in Amsterdam (Montag mit Freitag, 8:30 bis 17:00 Uhr MEZ) oder senden ein Fax an +31-20-653-3513.

Support-Dienste in Afrika und im Nahen Osten

Mit Supportanfragen aus Afrika und dem Nahen Osten wenden Sie sich bitte unter der Rufnummer +31-20-316-7222 an unser europäisches Callcenter in Amsterdam (Montag mit Freitag, 8:30 bis 17:00 Uhr MEZ), oder senden Sie ein Fax an +31-20-653-3513.

Support-Dienste in Asien und im Westpazifik

Kaufberatung und technische Unterstützung erhalten Sie in Asien und im Westpazifik unter der in Ihrem Land eingerichteten gebührenfreien Rufnummer. Diese gebührenfreien Rufnummern sind Montag mit Freitag von 6:00 bis 10:45 und von 12:00 bis 18:00 (Australian Eastern Time) erreichbar. Anrufer aus Ländern, die in dieser Liste nicht aufgeführt sind, wählen bitte eine der angegebenen Direktrufnummern.

Call-Center	Gebührenfreie Rufnummer	Direktrufnummer	Faxnummer
Australien	1800-14-7201	+61-2-9725-3366	+61-2-9725-4052
Hongkong	800-90-0474	—	+852-2368 7173
Indonesien	001-803-1-003-2165	—	—
Japan	—	—	+81-3-5462-2979
Malaysia	1-800-80-2335	—	—
Neuseeland	0800-443988	—	—

Singapur	800-1101-150	+65-488-7584	+65-488-7528
Taiwan	—	+886-2-2514-2237	+886-2-2715-2923
Thailand	001-800-11-0032165	—	—

Cargador automático DDS-4
Scorpion 240
Manual de instalación

Sección D
Español

SCORPION

© 2000 Seagate Removable Storage Solutions, LLC. Todos los derechos reservados.

Número de parte de fabricación: 100135972

Seagate y el logotipo de Seagate son marcas comerciales registradas de Seagate Technology, LLC. Scorpion 240 y el logotipo de Scorpion son marcas comerciales o marcas comerciales registradas de Seagate Removable Storage Solutions, LLC. Otros nombres de productos son marcas comerciales registradas o marcas comerciales de sus propietarios.

Seagate se reserva el derecho de modificar sin previo aviso las ofertas o las características técnicas relativas a los productos. Se prohíbe la reproducción total o parcial de esta publicación en cualquier forma sin el permiso por escrito de Seagate Removable Storage Solutions.

Número de publicación: 10007066-003, 13 de noviembre de 2000

Índice

Índice	D-3
Aviso de la FCC	D-5
Introducción	D-7
Acerca de esta guía del usuario	D-7
Acerca del cargador automático Scorpion 240	D-7
Antes de empezar	D-9
Precauciones	D-9
Desembalaje e inspección	D-9
Instalación del cargador automático interno	D-10
Configuración del cargador automático interno	D-10
Montaje del cargador automático interno	D-16
Conexión del cable de interfaz SCSI	D-18
Conexión de un cable de alimentación	D-19
Instalación del cargador automático externo	D-20
Configuración de la unidad Scorpion 240 externa	D-20
Conexión del cable de alimentación	D-23
Operación y mantenimiento	D-24
Activación del cargador automático	D-24
Uso de cartuchos y bandejas	D-25
Acerca de los botones del panel frontal	D-29
Acerca de los LED del panel frontal	D-30
Acerca de la pantalla LCD del panel frontal	D-34
Limpieza de la unidad de cinta	D-40
Información de cartuchos DDS-4	D-42
Preparación para transporte	D-44
Configuración para sistemas operativos UNIX, Novell y Windows NT	D-46
Interruptores DIP de configuración del sistema operativo	D-46
Configuración para el entorno Windows NT	D-47
Configuración para entornos Novell	D-47
Configuración para el entorno DEC UNIX	D-50

Configuración para el entorno Sun UNIX	D-52
Configuración para el entorno SGI	D-54
Configuración para el entorno HP-UX	D-58
Configuración para el entorno IBM AIX	D-59
Configuración para SCO UNIX	D-61
Configuración para LINUX	D-61
Resumen de las especificaciones de la unidad	D-62
Servicio técnico	D-64

Aviso de la FCC

Este equipo genera y utiliza energía de radiofrecuencia y, de no instalarse y utilizarse estrictamente de acuerdo con las instrucciones del fabricante, puede causar interferencias para la recepción de señales de televisión y de radio, lo que podría anular la autorización del usuario para utilizar el equipo. Las pruebas a las que ha sido sometido demuestran su cumplimiento de los límites impuestos a los aparatos digitales de Clase B según la Parte 15 de las Reglas de la FCC, concebidas para proporcionar una protección razonable contra las interferencias mencionadas en una instalación residencial. No obstante, no se puede garantizar que estas interferencias no ocurran en una instalación concreta. En caso de producirse interferencias, pueden corregirse mediante una o más de las medidas siguientes:

- Cambie de orientación o de posición la antena receptora.
- Aumente la separación entre el ordenador y el receptor.
- Conecte el ordenador a un toma de un circuito eléctrico distinto del circuito del receptor.
- Solicite ayuda a su distribuidor o a un técnico de radio/televisión con experiencia.

Puede obtener ayuda en el siguiente manual redactado por la comisión federal norteamericana de comunicaciones (FCC): *How to Identify and Resolve Radio-TV Interference Problems (Cómo identificar y resolver problemas de interferencias de radio y televisión)*. Este folleto (Nº 004-000-00345-4) puede solicitarse a la U.S. Government Printing Office, Washington, DC 20402.

Este equipo cumple con los límites para aparatos digitales de Clase B conforme a las reglamentaciones canadienses de interferencias de radio.

Cet appareil numérique de la classe B est conforme au Règlement sur brouillage radioélectrique, C. R. C., ch. 1374.

Introducción

Acerca de esta guía del usuario

Esta guía del usuario contiene información relativa a la instalación y operación del cargador automático DDS-4 Scorpion.

Acerca del cargador automático Scorpion 240

El cargador automático interno Seagate es un sistema de cinta de cartuchos múltiples inteligente y completamente integrado que acepta los formatos de cintas DDS (almacenamiento digital de datos), DDS-1, DDS-2, DDS-3 y DDS-4. Incluye una bandeja con capacidad para un máximo de seis cartuchos de cinta.

El cargador automático interno (STDL42401LW) fue diseñado para la instalación dentro de un ordenador, en un bastidor de unidad de 5,25 pulgadas de altura completa. El cargador automático externo (STDL62401LW) es un subsistema autónomo que se conecta a un sistema principal por medio de un cable SCSI blindado de 68 patillas.

Nota: La unidad Scorpion 240 no funciona en el entorno SCSI-1.

El cargador automático Scorpion 240 combina la tecnología DDS establecida, grabación de alta densidad, capacidad para compresión de datos por hardware y la unidad de cinta DDS de Seagate de calidad comprobada apta para ordenadores con el fin de ofrecer fiabilidad y rendimiento inigualados.

Aplicaciones de la unidad

El cargador automático Scorpion 240 es ideal para las aplicaciones de servidores y de redes/empresas, tales como:

- Copia de seguridad de unidades de disco o conjuntos de discos de alta capacidad.
- Administración de almacenamiento automatizado.
- Recolección de datos en línea, sin supervisión.
- Almacenamiento secundario inmediato de todo tipo de texto, gráficos o datos multimedia.
- Almacenamiento de archivos históricos.

Capacidad y velocidad de transferencia de datos de la unidad Scorpion 240

El cargador Scorpion 240 ofrece las siguientes capacidades y velocidades continuas de transferencia de datos, según el tipo y la duración del soporte de cinta utilizado. Estas capacidades y velocidades de transferencia de datos se basan en una compresión de datos 2:1. La capacidad de datos no comprimidos es la mitad de estos valores.

Formato de cinta	DDS	DDS-2	DDS-3	DDS-4
Duración de la cinta (min.)	90	120	125	150
Capacidad de cada cartucho (Gbytes)	4,0	8,0	24,0	40,0
Capacidad de la bandeja de seis cartuchos (Gbytes)	24,0	48,0	144,0	240,0
Velocidad continua de transferencia de datos (Mbytes/s)	1,83	1,83	5,5	5,5

Nota: La cinta DDS de 60 metros no puede utilizarse con esta unidad.

Antes de empezar

Precauciones

Precaución: Respete las siguientes precauciones para evitar causar daños electrostáticos al cargador automático interno.

- No extraiga la unidad de la bolsa antiestática hasta que esté listo para instalarla.
- Antes de extraer la unidad de la bolsa antiestática, toque una superficie metálica conectada a tierra, a fin de descargar la electricidad estática acumulada en su cuerpo.
- Sujete la unidad por sus bordes y evite el contacto directo con los componentes electrónicos.
- Si necesita depositar la unidad sobre una superficie, coloque debajo la bolsa antiestática o introduzca la unidad dentro de la bolsa.

Desembalaje e inspección

Si bien los cargadores automáticos Seagate se inspeccionan y embalan cuidadosamente en la fábrica, se pueden producir daños durante el transporte. Siga estas indicaciones para desembalar el cargador automático.

1. Inspeccione el contenedor de transporte. Si encuentra algún daño, notifíquesele inmediatamente al transportista.
2. Coloque el contenedor de transporte sobre una superficie plana, limpia y estable. A continuación, extraiga cuidadosamente el contenido y verifique la lista de contenido. Si faltan piezas o si el equipo está dañado, notifique esta irregularidad al representante de Seagate.
3. Guarde el contenedor de la unidad y los materiales de embalaje para el caso de que alguna vez deba enviar la unidad.

Instalación del cargador automático interno

Este capítulo describe cómo configurar, montar y conectar los cables del cargador automático Scorpion 240 *interno*.

Configuración del cargador automático interno

Antes de instalar la versión interna del cargador Scorpion 240 en su ordenador, es posible que deba configurar la unidad para que funcione con su sistema.

Configuración predeterminada

A continuación se muestra la configuración predeterminada de la unidad interna:

- La unidad está configurada para el identificador SCSI 6.
- La comprobación de paridad está activada.
- La alimentación de terminación SCSI está desactivada.
- La compresión de datos está activada.
- Los diagnósticos de autoverificación durante el encendido están activados.
- La comprobación del MRS (sistema de reconocimiento de soporte) está activada (la unidad no escribe en cintas no MRS).

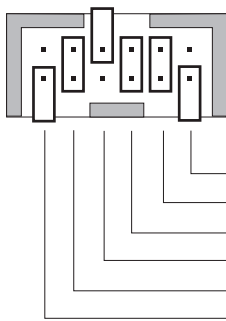
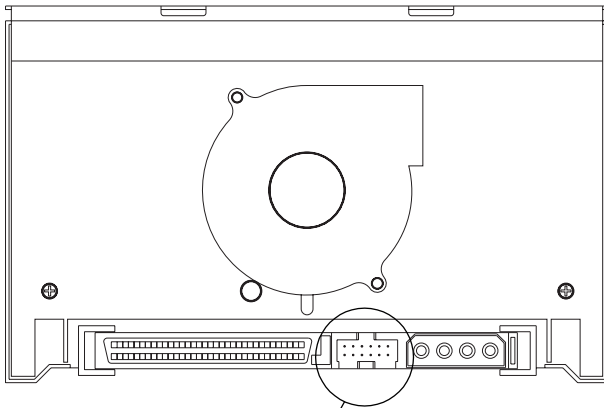
Si esta configuración predeterminada es apropiada para su sistema informático, continúe con la sección "Montaje del cargador automático interno" en la página D-16.

Cambio de la configuración de los puentes

Para cambiar el identificador SCSI, la comprobación de paridad o la alimentación de terminación, use los puentes situados en la parte posterior de la unidad, tal y como se ilustra en la figura 1.

Nota: Apague la unidad antes de cambiar los puentes o los interruptores DIP. Los cambios surten efecto al reiniciar la unidad.

Figura 1. Patillas de los puentes de la parte posterior del cargador Scorpion 240.



Se ilustra la configuración de puentes predeterminada (Identificador SCSI 6, comprobación de paridad activada y alimentación de terminación desactivada)

- | Patillas: | Función: |
|-----------|-----------------------------|
| 1-2 | SCSI ID bit 0 |
| 3-4 | SCSI ID bit 1 |
| 5-6 | SCSI ID bit 2 |
| 7-8 | SCSI ID bit 3 |
| 9-10 | Comprobación de paridad |
| 11-12 | Alimentación de terminación |

SCSI ID=0	■ ■ ■ ■ ■ ■
SCSI ID=1	■ ■ ■ ■ ■ ■ ■
SCSI ID=2	■ ■ ■ ■ ■ ■ ■ ■
SCSI ID=3	■ ■ ■ ■ ■ ■ ■ ■ ■
SCSI ID=4	■ ■ ■ ■ ■ ■ ■ ■ ■ ■
SCSI ID=5	■ ■ ■ ■ ■ ■ ■ ■ ■ ■ ■
SCSI ID=6	■ ■ ■ ■ ■ ■ ■ ■ ■ ■ ■ ■
SCSI ID=7	■ ■ ■ ■ ■ ■ ■ ■ ■ ■ ■ ■ ■

SCSI ID=8	■ ■ ■ ■ ■ ■ ■ ■
SCSI ID=9	■ ■ ■ ■ ■ ■ ■ ■ ■
SCSI ID=10	■ ■ ■ ■ ■ ■ ■ ■ ■ ■
SCSI ID=11	■ ■ ■ ■ ■ ■ ■ ■ ■ ■ ■
SCSI ID=12	■ ■ ■ ■ ■ ■ ■ ■ ■ ■ ■ ■
SCSI ID=13	■ ■ ■ ■ ■ ■ ■ ■ ■ ■ ■ ■ ■
SCSI ID=14	■ ■ ■ ■ ■ ■ ■ ■ ■ ■ ■ ■ ■ ■
SCSI ID=15	■ ■ ■ ■ ■ ■ ■ ■ ■ ■ ■ ■ ■ ■ ■
Activar paridad	■ ■ ■ ■ ■ ■ ■ ■ ■ ■ ■
Alim. term.	■ ■ ■ ■ ■ ■ ■ ■ ■ ■ ■ ■

Selección de dirección SCSI (patillas 1 a 8)

Todos los dispositivos SCSI de un bus SCSI deben tener un identificador SCSI único. El controlador SCSI o el adaptador de ordenador principal normalmente utilizan el identificador 7. En algunos sistemas, la unidad de arranque usa el identificador 0 ó 1.

Para seleccionar una dirección SCSI apropiada para la unidad, instale los puentes apropiados de los pares de patillas 1-2 a 7-8, tal y como se muestra en la figura 1.

Nota: Los números de identificador SCSI del 8 al 15 sólo se reconocerán si el interruptor DIP 9 está en la posición "ON". Si desea más detalles, consulte la página D-15

Comprobación de paridad (patillas 9 y 10)

Si se instala un puente en las patillas 9 y 10, la comprobación de paridad está activada. Si no se instala un puente, la comprobación está desactivada, pero la unidad sigue generando paridad.

Alimentación de terminación (patillas 11 y 12)

Si se instala un puente en las patillas 11 y 12, la alimentación de terminación está activada.

Nota: La unidad Scorpion 240 interna *no* proporciona una terminación SCSI y, por lo tanto, no debe instalarse como último dispositivo de una cadena SCSI. Si desea más información, consulte "Terminación SCSI" en la página D-19.

Si instala el puente de alimentación de terminación, tenga cuidado de no causar un cortocircuito de la señal TERMPWR a tierra. En caso de cortocircuito se interrumpe la corriente de terminación al bus. Una vez eliminado el cortocircuito, se repone automáticamente un fusible de la unidad, que restablece la alimentación de terminación.

Cambio de la configuración de los interruptores DIP

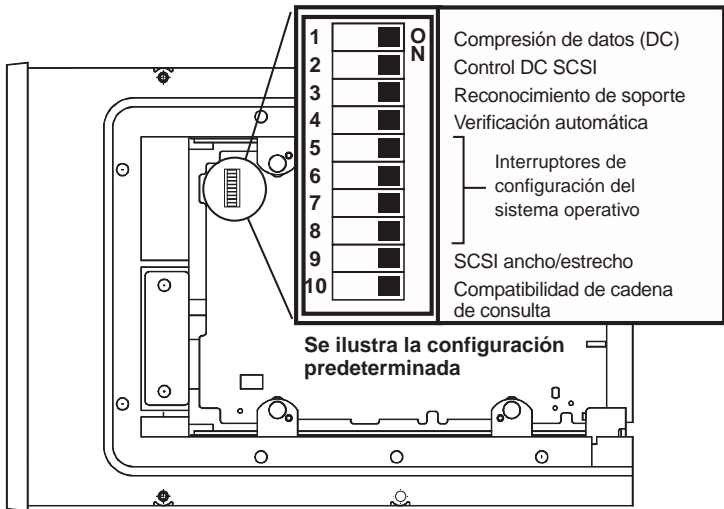
Para cambiar la configuración de compresión de datos, comprobación MRS, diagnósticos de autoverificación durante el encendido, selección de SCSI ancho/estrecho o la cadena

de consulta de la unidad, deben utilizarse los interruptores DIP situados en la parte inferior de la unidad.

En la figura 2 se muestra la ubicación de los interruptores DIP en la *parte inferior* de la unidad Scorpion 240. En las páginas siguientes se describen de forma detallada estos interruptores.

Nota: Apague la unidad antes de cambiar los puentes o los interruptores DIP. Los cambios surten efecto al reiniciar la unidad.

Figura 2. Posición de los interruptores DIP en la unidad Scorpion 240 interna.



Compresión de datos (interruptores 1 y 2)

Si el interruptor 1 está en la posición ON (posición predeterminada), la compresión de datos por hardware durante el encendido está activada. Si el interruptor está en la posición OFF, la compresión de datos por hardware durante el encendido está desactivada.

Si el interruptor DIP 2 está en la posición ON (posición predeterminada), pueden utilizarse comandos SCSI para activar o desactivar la compresión de datos por hardware.

Para impedir que sea posible activar o desactivar la compresión de datos por hardware mediante comandos SCSI, coloque el interruptor DIP 2 en la posición OFF.

Sistema de reconocimiento de soporte (interruptor 3)

Este sistema permite que la unidad reconozca si un cartucho de cinta dado cumple con la norma de cinta DDS. El uso de un soporte no DDS puede parecer dar resultados satisfactorios, pero las características inferiores del soporte pueden causar problemas de integridad de los datos.

El interruptor 3 activa o desactiva el sistema de reconocimiento de soporte (MRS). Si el interruptor 3 está en la posición ON (posición predeterminada), la unidad lee y escribe en soportes MRS y lee, pero no escribe, en soportes no MRS. Si está en la posición OFF, la unidad lee y escribe tanto en soportes MRS como no MRS.

Activación/desactivación de la autoverificación durante el encendido (interruptor 4)

El interruptor 4 activa o desactiva la ejecución del diagnóstico de autoverificación realizado durante el encendido de la unidad. Si el interruptor 4 está en la posición ON (posición predeterminada), la unidad realiza una autoverificación durante el encendido. Si el interruptor 4 está en la posición OFF, la unidad no realiza la autoverificación durante el encendido.

Configuración del sistema operativo (interruptores del 5 al 8)

Los interruptores del 5 al 8 se utilizan para configurar la unidad para el uso con los sistemas operativos UNIX, Novell y Windows. Estos procedimientos se describen a partir de la página D-45. La configuración predeterminada para estos cuatro interruptores es ON.

SCSI ancho/estrecho (interruptor 9)

El interruptor 9 activa o desactiva el funcionamiento SCSI ancho en el bus SCSI. Si este interruptor está en la posición ON (posición predeterminada), la unidad puede funcionar en

el modo SCSI ancho (16 bits). Si está en la posición OFF, la unidad sólo funciona en el modo SCSI estrecho (8 bits).

Nota: Si el interruptor 9 está en la posición OFF, la unidad sólo admite los identificadores SCSI del 0 al 7.

Cadena de consulta (interruptor 10)

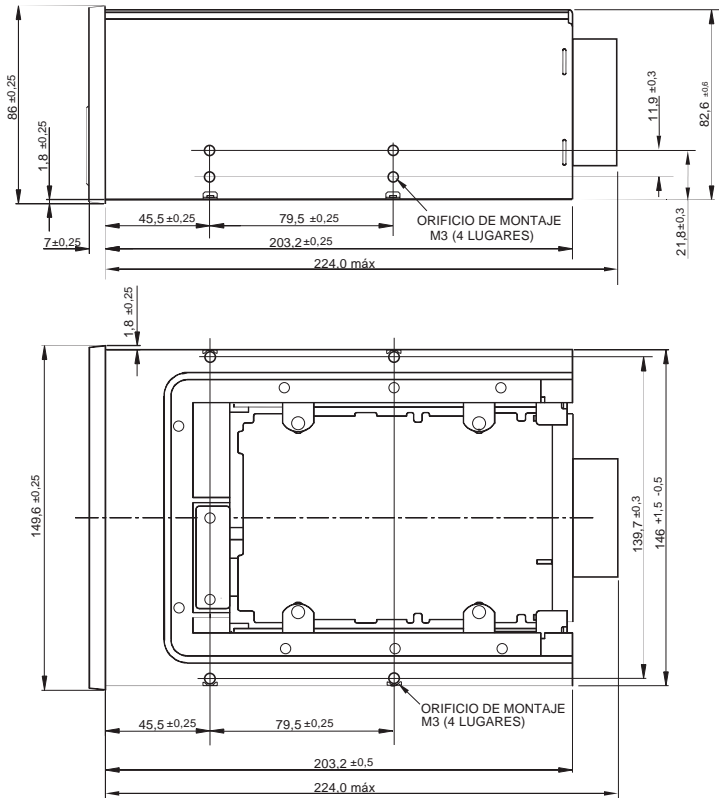
El interruptor 10 permite seleccionar el identificador de fabricante que devuelve la unidad cuando ésta es consultada mediante un comando de consulta (Inquiry) de SCSI. Si el interruptor está en la posición ON (posición predeterminada), el identificador de fabricante es "SEAGATE DAT". Si el interruptor está en la posición OFF, el identificador de fabricante es "ARCHIVE Python". El identificador de fabricante "ARCHIVE Python" puede ser utilizado por fabricantes de software independientes para ofrecer compatibilidad de software con unidades de cinta DDS Seagate anteriores.

Montaje del cargador automático interno

El cargador Scorpion 240 debe montarse horizontalmente en un bastidor de unidad de 5,25 pulgadas de altura completa. Monte la unidad con tornillos de tamaño M3.0 métrico en los lados o en la parte inferior de la unidad, tal y como se muestra en la figura 3. No utilice tornillos de una longitud superior a 4 mm, ya que podría dañarse la unidad.

Nota: Cuando monte la unidad, asegúrese de que nada bloquee el ventilador aspirante o las ranuras de ventilación de las partes inferior y posterior del cargador automático.

Figura 3. Posición de los orificios de montaje.



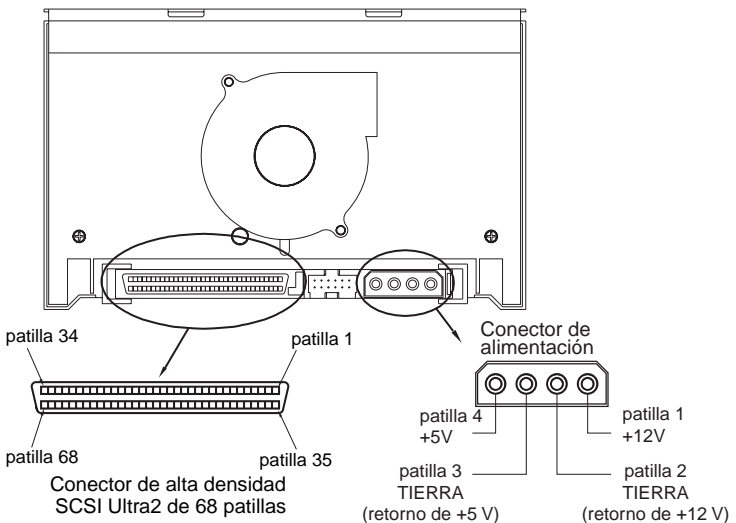
Conexión del cable de interfaz SCSI

Desconecte la alimentación al ordenador y a la unidad. A continuación, conecte un cable SCSI interno ancho de 68 patillas de su controlador SCSI al conector SCSI situado en la parte posterior del cargador automático. Asegúrese de que la patilla 1 del controlador y del cable SCSI esté conectada con la patilla 1 de la unidad. La figura 4 muestra la ubicación de la patilla SCSI 1 en el conector SCSI de la unidad. La patilla 1 del cable SCSI está indicada por una banda de color.

Las unidades Scorpion 240 se pueden utilizar con dos tipos diferentes de interfaces SCSI: SCSI (LVD) Ultra2 o SCSI "Ancho" (de 16 bits) de un solo extremo. La unidad puede detectar automáticamente si está conectada a un bus SCSI LVD o SCSI ancho de un solo extremo.

Nota: La unidad Scorpion 240 no funciona adecuadamente en un entorno SCSI-1.

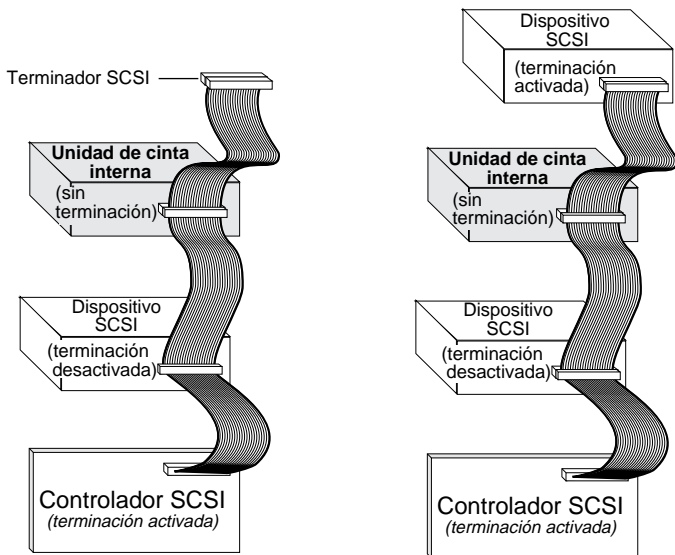
Figura 4. Conectores de interfaz de la unidad Scorpion 240 interna.



Terminación SCSI

La unidad Scorpion 240 interna *no* proporciona una terminación SCSI. Por este motivo, no debe ser el último dispositivo de una cadena SCSI. En la figura 5 de la página siguiente se muestran dos ejemplos de terminación. Si la unidad es el único dispositivo SCSI, conéctela al conector adyacente al último de la cadena SCSI y conecte un terminador LVD multimodo de un solo extremo al último conector de la cadena.

Figura 5. Dos ejemplos de terminación SCSI para la unidad Scorpion 240 interna.



Conexión de un cable de alimentación

Enchufe un cable de alimentación de cuatro patillas de 5 ó 12 V en el conector de alimentación de la parte posterior de la unidad. En la figura 4 de la página anterior se muestra la ubicación del conector de alimentación.

El conector de alimentación de 4 patillas recomendado para la unidad interna es una carcasa AMP 1-48024-0 con patillas AMP 60617-1 o equivalente.

Instalación del cargador automático externo

La unidad Scorpion 240 externa es una unidad compacta que se conecta al ordenador principal como un subsistema llave en mano. La instalación de la unidad externa requiere tres sencillos pasos:

1. Configuración de la unidad.
2. Conexión del cable de interfaz SCSI.
3. Conexión del cable de alimentación.

Configuración de la unidad Scorpion 240 externa

A continuación se explica la configuración predeterminada de la unidad Scorpion 240 externa:

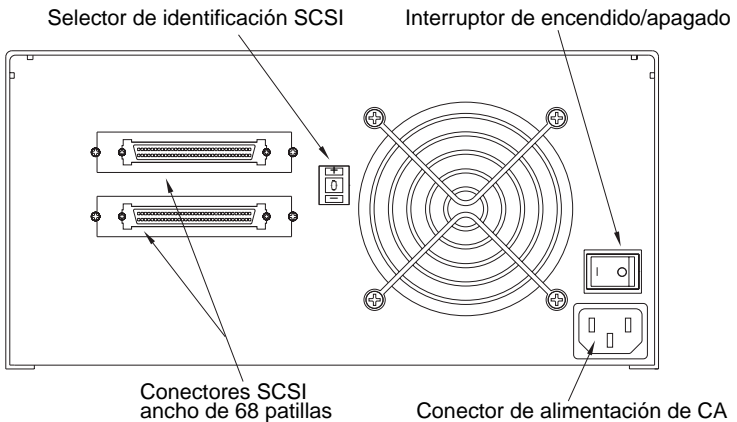
- **Identificador SCSI:** 6.
- **Comprobación del MRS (sistema de reconocimiento de soporte):** activada.
- **Comprobación de paridad:** activada.
- **Compresión de datos:** activada.
- **Diagnóstico de autoverificación durante el encendido:** activado.
- **Sistema operativo principal:** Windows 95/98/NT/2000
- **Alimentación de terminación:** al bus SCSI.

Ajuste del identificador SCSI

Asegúrese de que la unidad esté apagada y, a continuación, ajuste el identificador SCSI de la unidad pulsando el botón "PUSH" [Presionar] situado en la parte posterior de la unidad externa. En la figura 6 de la página siguiente se muestran este interruptor, los dos conectores de interfaz SCSI, el interruptor de encendido/apagado (on/off) y el conector del cable de alimentación.

Nota: Debe reiniciarse la unidad para que se active cualquier cambio en el identificador SCSI.

Figura 6. Panel posterior de la unidad externa Scorpion 240.



Conexión del cable de interfaz SCSI

La unidad Scorpion 240 tiene dos conectores blindados de 68 patillas en el panel posterior. Los dos conectores pueden utilizarse como SCSI IN o SCSI OUT (SCSI de entrada y SCSI de salida) para conectar la unidad al ordenador principal o a otro dispositivo SCSI.

Apague su ordenador y todos los dispositivos SCSI. Luego conecte un cable SCSI del adaptador del ordenador principal o de otro dispositivo SCSI (sin terminación) a la unidad Scorpion 240.

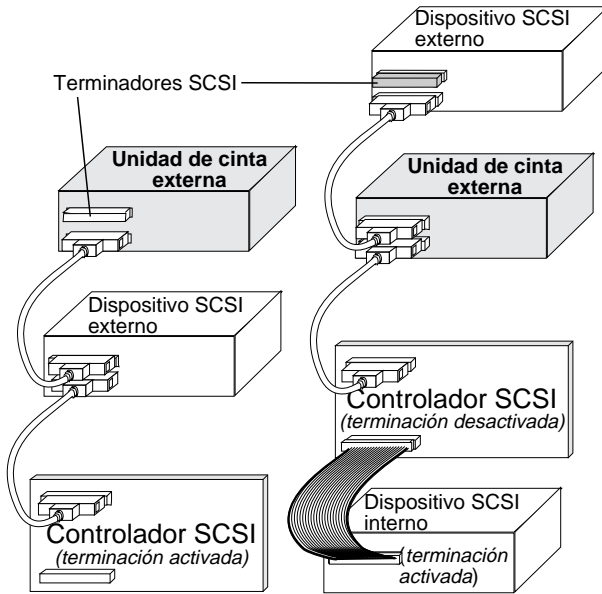
Nota: La unidad Scorpion 240 no funciona en el entorno SCSI-1.

Terminación SCSI

Si la unidad Scorpion 240 es el último o el único dispositivo de una cadena SCSI, debe instalar una clavija de terminación en el conector SCSI no utilizado. En la figura 7 presentada a continuación se muestran dos ejemplos de terminación SCSI. Puede comprar un terminador para la unidad Scorpion 240

(número de parte 10006525-001) por Internet en la dirección
<http://buytape.seagate.com>.

Figura 7. Ejemplos de terminación SCSI para la unidad externa Scorpion 240.



Ejemplo 1: Terminación SCSI en un sistema que sólo tiene dispositivos SCSI externos.

Ejemplo 2: Terminación SCSI en un sistema que tiene dispositivos SCSI tanto internos como externos.

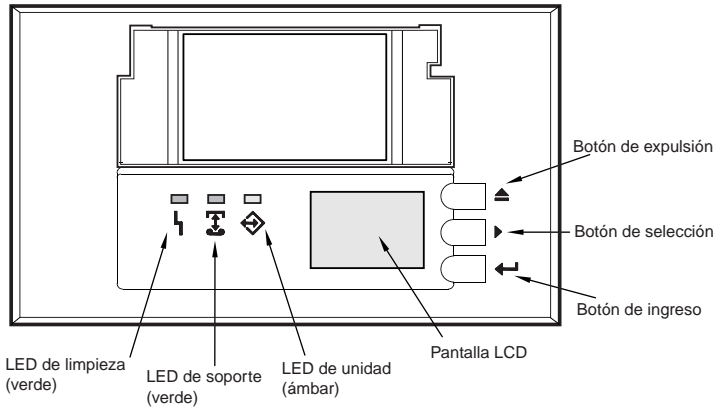
Conexión del cable de alimentación

Conecte el cable de alimentación firmemente al conector de alimentación del panel posterior de la unidad. La ubicación del conector de alimentación en la unidad externa se muestra en la figura 6 en la página D-21.

Operación y mantenimiento

En esta sección se describe cómo usar su cargador automático Scorpion 240 y los cartuchos DDS-4. También se explica la manera de interpretar los LED y la pantalla situados en la parte frontal de la unidad, mostrados en la figura 8.

Figura 8. Vista frontal del cargador automático interno Scorpion 240 (la unidad externa es similar).



Activación del cargador automático

Encienda todos los dispositivos SCSI que estén conectados a su ordenador antes de encenderlo. Cuando se enciende por primera vez el cargador automático, debe suceder lo siguiente:

1. Los LED de limpieza, de soporte y de la unidad se encienden durante dos segundos y después comienzan a parpadear.
2. La pantalla LCD muestra el identificador SCSI actual, seguido del mensaje "ESPERAR AUTO PRUEBA".
3. Si hay una bandeja cargada, la pantalla LCD muestra el mensaje "EXPLORAR X" mientras la unidad determina qué ranuras de la bandeja contienen cartuchos.

4. A medida que la unidad identifica cada cartucho, la pantalla LCD muestra el número de ranura del cartucho.
5. Una vez terminadas todas las comprobaciones, la pantalla LCD muestra el mensaje "LISTO" si hay una bandeja cargada. Si no hay ninguna bandeja cargada, se muestra el mensaje "CARTUCHO AUSENTE".

Nota: Si su ordenador no reconoce el cargador automático, tal vez sea necesario cargar el módulo adecuado de cargador automático para su programa de software para copias de seguridad. Si desea más información, consulte el manual de instalación del programa de software para copias de seguridad.

Uso de cartuchos y bandejas

Colocación de etiquetas

Al colocar etiquetas a un cartucho, tenga en cuenta las siguientes precauciones para que el cartucho no se atasque en el cargador automático:

- Aplique las etiquetas firmemente y sólo en las áreas excavadas para etiquetas.
- No permita que las etiquetas se extiendan más allá de las áreas para etiquetas ni se doblen sobre el borde del cartucho.
- No aplique etiquetas sobre otras etiquetas.

Precaución: No coloque etiquetas en la bandeja del cargador automático, ya que esto puede atascar el mecanismo de la cinta.

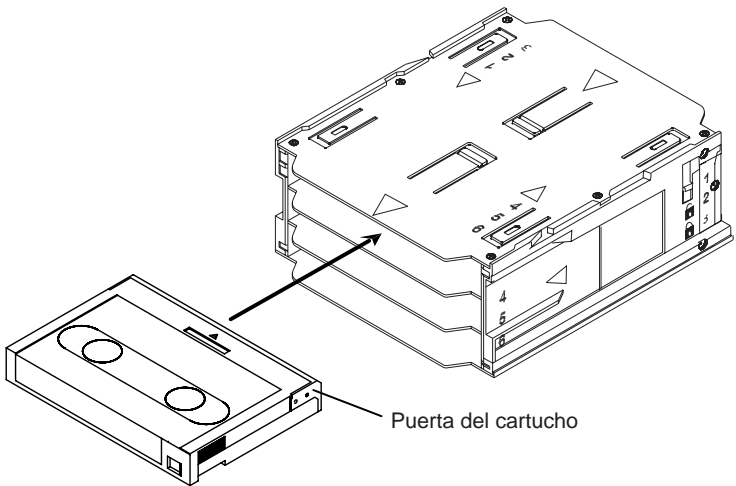
Carga de cartuchos en una bandeja

Use sólo cartuchos DDS aprobados para la unidad Scorpion 240. En la página D-41 se indican los cartuchos aprobados por Seagate. Para cargar los cartuchos en la bandeja, siga los pasos descritos a continuación:

1. Asegúrese de que los cartuchos estén protegidos o no contra escritura, según corresponda. Si desea más detalles, consulte la página D-42

2. Sostenga la bandeja de tal manera que los números de ranura del lateral de la bandeja se encuentren en la parte derecha superior.
3. Inserte el cartucho en la bandeja con la puerta frente a la ranura de la bandeja, tal y como se muestra en la figura 9.

Figura 9. Inserción de un cartucho en la bandeja del cargador automático.



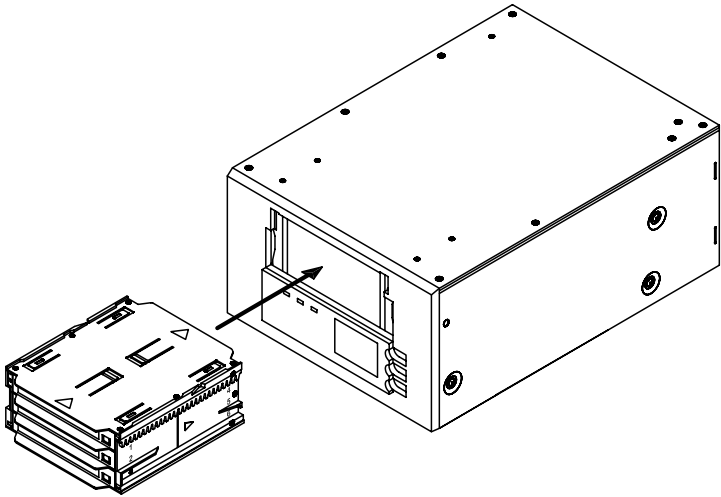
Carga de una bandeja en el cargador automático

Precaución: No cargue una bandeja si todos los LED están parpadeando, lo que indica que la unidad está realizando una prueba de autoverificación durante el encendido.

1. Asegúrese de que la unidad esté encendida y funcionando normalmente.
2. Sostenga la bandeja de manera que los números de ranura se encuentren en la parte derecha superior.
3. Habilite o deshabilite la escritura en la bandeja según corresponda. Si desea más detalles, consulte la página D-42.

4. Inserte la bandeja en el cargador automático con los triángulos frente al bastidor del cargador automático, tal y como se muestra en la figura 10 presentada a continuación. Empuje suavemente la bandeja en el bastidor del cargador automático hasta que el mecanismo del cargador automático detecte la bandeja y la introduzca en la unidad.

Figura 10. Carga de una bandeja en el cargador automático.



Expulsión de un cartucho o bandeja

Para expulsar la bandeja del cargador automático, pulse el botón de expulsión. Si hay un cartucho en la unidad, la pantalla LCD muestra el mensaje “EXPULS? OPRIMIR ENTRAR”. Pulse el botón de ingreso y espere a que se complete el siguiente proceso:

1. La cinta se rebobina hasta la marca de comienzo de partición (BOP).
2. Si el cartucho de cinta no está protegido contra escritura (sólo lectura), el sistema operativo escribe de nuevo la copia actualizada del registro de la cinta en ésta.
3. La cinta se rebobina hasta la marca de comienzo del soporte (BOM) y no está en secuencia.

4. El cambiador coloca el cartucho de nuevo en la bandeja.
5. Se expulsa la bandeja.

Si no hay ningún cartucho en la unidad de cinta, la bandeja se expulsa inmediatamente.

Expulsión forzada

Si pulsa el botón de expulsión cuando la unidad de cinta está funcionando, la unidad de cinta primero completa la tarea en ejecución antes de responder a la petición de expulsión. De esta manera no se pierden datos.

Sin embargo, en casos extremos, es posible que tenga que forzar una expulsión para descargar un cartucho, aun con el riesgo de perder los datos del cartucho. Una expulsión forzada *sólo* debe intentarse cuando no hay ninguna otra manera de recuperar un cartucho.

Precaución: Si fuerza una expulsión, es posible que ya no pueda leerse el cartucho, por lo que podría ser necesario borrarlo o reiniciarlo con el programa software de aplicación.

También puede forzar una expulsión si necesita expulsar la bandeja y no hay ningún cartucho cargado en la unidad. Si fuerza una expulsión y no hay ningún cartucho cargado, el cargador automático espera 35 segundos, expulsa la bandeja y, a continuación, se reinicia como si se hubiera apagado y luego encendido.

Para forzar una expulsión, mantenga pulsado el botón de expulsión durante al menos 5 segundos y luego suéltelo. Cuando se fuerza una expulsión, sucede lo siguiente:

Si hay una cinta en la unidad, el panel de estado muestra el mensaje "DESCARG. CINTA X" (donde X es el número de la ranura de la bandeja donde se encuentra actualmente la cinta en la unidad). Una vez colocada nuevamente la cinta en la bandeja, la pantalla muestra el mensaje "EXPULSAR CARTUCHO" y se expulsa la bandeja.

Nota: Debido a que si se fuerza una expulsión puede interrumpirse una operación, es posible que la unidad de cinta no grabe la marca de final de datos (EOD) en la cinta antes de que se expulse el cartucho. Si no se graba en la cinta la marca EOD, es posible que la cinta esté formateada incorrectamente y que se pierdan los datos. No obstante, si una cinta está formateada correctamente, generalmente se pueden leer los datos hasta el punto en el que sucedió el error.

Si al forzar una expulsión no se logra extraer un cartucho o la bandeja, póngase en contacto con el servicio técnico de Seagate.

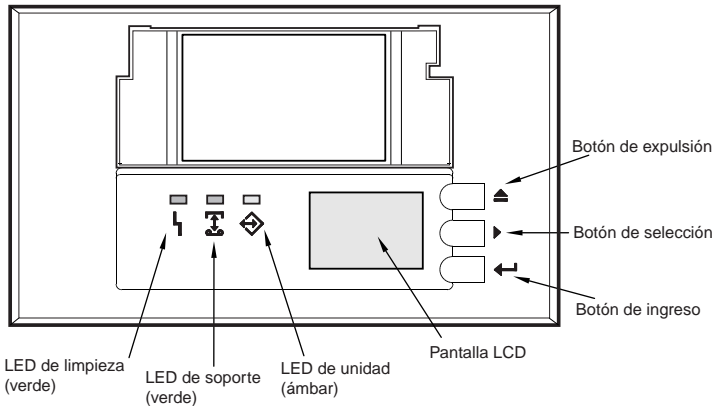
Carga automática y manual de cartuchos

Una vez cargados los cartuchos en la bandeja y colocada la bandeja en el bastidor correspondiente, el cargador automático puede dejarse colocado indefinidamente para operaciones de escritura o lectura sin supervisión (controladas por su programa de software para copias de seguridad).

Para cargar manualmente una cinta, pulse el botón de selección para elegir la ranura de cinta deseada y, a continuación, pulse el botón de ingreso.

Acerca de los botones del panel frontal

En esta sección se describen las funciones de los botones del cargador automático. Estos botones se muestran en la figura 11 presentada a continuación.

Figura 11. Panel frontal del cargador automático.

Botón de expulsión

Puede utilizar el botón de expulsión para expulsar la bandeja o para descargar un cartucho de la unidad. Después de pulsar el botón de expulsión, pulse el botón de ingreso para confirmar la petición.

Botón de selección

Puede utilizar el botón de selección para elegir los cartuchos de cinta individuales por sus números de ranura (del 1 al 6), ver los elementos de los menús en la pantalla LCD y acceder a los menús del cargador si no hay ninguna bandeja instalada.

Botón de ingreso

Puede utilizar el botón de ingreso para elegir elementos específicos de los menús en la pantalla LCD, cargar un cartucho en la unidad (después de seleccionar el cartucho usando el botón de selección) o confirmar que desea expulsar la bandeja cuando hay una cinta en la unidad.

Acerca de los LED del panel frontal

Tal y como se muestra en la figura 11, el panel frontal del cargador automático Scorpion 240 contiene tres LED que proporcionan información durante condiciones normales o de

error. Los códigos de parpadeo de los LED se describen a continuación y en las páginas siguientes.

LED de limpieza

El LED de limpieza funciona de la siguiente manera:

- Si el LED de Limpieza está encendido continuamente, la unidad requiere limpieza. Utilice sólo el cartucho de limpieza aprobado por Seagate para limpiar la unidad, tal y como se describe en la página D-39.
- Si el LED de limpieza parpadea lentamente, el cartucho de cinta actualmente en uso ha superado un umbral de error de software predefinido. Esta señal es simplemente una advertencia y no indica pérdida de datos. Si ve esta señal, retire la cinta lo antes posible y limpie la unidad con el cartucho de limpieza DDS aprobado por Seagate. Si después de limpiar la unidad y reinsertar el cartucho de datos original el LED de limpieza continúa parpadeando, debe utilizar un nuevo cartucho para futuras copias de seguridad.

LED de soporte

El LED de soporte funciona de la siguiente manera:

- Si el LED de soporte está encendido continuamente, se ha insertado un cartucho DDS y la unidad está funcionando normalmente.
- Si el LED de soporte parpadea rápidamente, la unidad no pudo escribir en la cinta correctamente (se superó el recuento máximo de reescritura) y la operación de escritura falló. Limpie los cabezales de la unidad con un cartucho de limpieza DDS aprobado por Seagate. Si vuelve a insertar el cartucho de datos original y el LED continúa parpadeando, inserte un nuevo cartucho de datos y vuelva a intentar la operación.

Nota: Como proceso de mantenimiento de rutina, limpie los cabezales de la unidad cada 25 horas de funcionamiento cuando use cintas DDS-1 o DDS-2, o cada 50 horas cuando use cintas DDS-3 o DDS-4.

LED de la unidad

El LED de la unidad funciona de la siguiente manera:

- Si el LED de la unidad está encendido continuamente, la unidad está leyendo o escribiendo en la cinta (es decir, hay actividad SCSI o de cinta).

Precaución: Si pulsa el botón de expulsión mientras el LED de la unidad está encendido, interrumpirá cualquier operación del ordenador principal, lo que causará un error de la aplicación. Tal vez no sea posible agregar datos a la cinta si se cancela una operación de escritura de esta manera.

Nota: Si se ha emitido un comando SCSI Prevent Media Removal [Impedir extracción de soporte], el LED de la unidad permanece encendido y se deshabilita el botón de expulsión con el fin de que la cinta no pueda expulsarse de forma accidental.

- Si el LED de la unidad parpadea rápidamente, ha ocurrido un fallo de hardware. Si esto sucede inmediatamente después de encender la unidad, el interruptor de prueba de autoverificación durante el encendido está activado y la prueba ha fallado. Los LED del panel frontal pueden parpadear simultáneamente. Si esto sucede, póngase en contacto con el departamento de servicio técnico de Seagate para obtener más información. Si el LED de la unidad parpadea rápidamente durante el funcionamiento de la unidad, debe intentar extraer la cinta pulsando el botón de expulsión. Si no se expulsa la cinta en 2 minutos, mantenga pulsado el botón de expulsión durante más de 5 segundos. La cinta debe expulsarse en 40 segundos. Para obtener más información, póngase en contacto con el servicio técnico de Seagate.

Resumen de los códigos de los LED

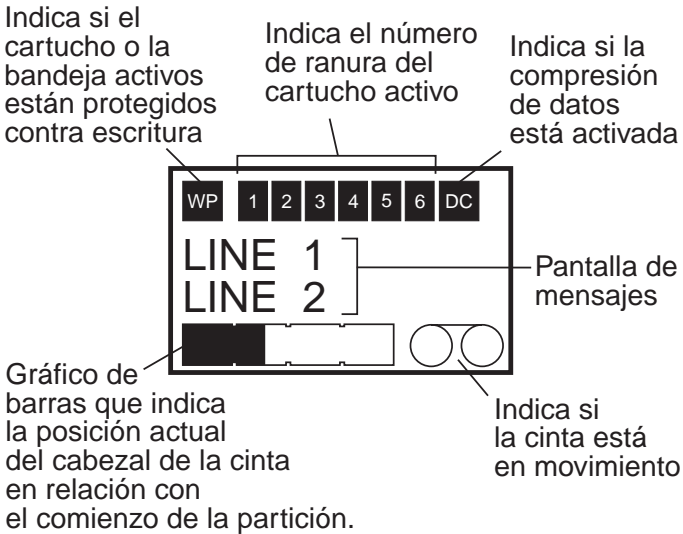
La siguiente tabla resume los códigos de parpadeo de los LED de la unidad Scorpion 240.

LED	Acción	Significado
Limpieza	Encendido	Se requiere limpieza debido a que la unidad ha estado funcionando durante al menos 25 horas (DDS-1 y DDS-2) o 50 horas (DDS-3 y DDS-4).
	Parpadeo lento	Se ha superado el umbral de tasa de error interno y se requiere limpieza.
	Parpadeo	El cartucho de limpieza de la unidad ha superado su vida útil. Reemplace el cartucho de limpieza usado con uno nuevo.
Soporte	Encendido	Se inserta un cartucho y no genera errores excesivos.
	Parpadeo	La unidad no pudo escribir en la cinta correctamente (se ha producido un error de escritura). Use un cartucho de limpieza aprobado por Seagate para limpiar la unidad.
Unidad	Encendido	La unidad lee o escribe en la cinta normalmente.
	Parpadeo rápido	Ocurrió un fallo de hardware.

Acerca de la pantalla LCD del panel frontal

La figura 12 muestra los tipos de información que se presentan en el panel frontal de la pantalla LCD.

Figura 12. Características de la pantalla LCD.



Luz de fondo de la pantalla LCD

La luz de fondo de la pantalla LCD se activa automáticamente cuando se enciende por primera vez el cargador automático y siempre que se pulsa un botón del panel frontal. La luz de fondo permanece encendida durante dos minutos y luego se apaga automáticamente (a menos que se pulse un botón del panel frontal).

Mensajes de la pantalla LCD

La tabla en las páginas siguientes describe los mensajes que pueden aparecer en la pantalla LCD. Los mensajes están listados en orden alfabético. Una "X" indica el número de la ranura del cartucho actualmente activo.

Mensaje de la pantalla LCD	Descripción
PROBLEMA INSTALACIÓN CASSETTE	Se ha insertado incorrectamente un cartucho en la bandeja. Expulse la bandeja del cargador automático (consulte la página D-27); a continuación, extraiga el cartucho de la bandeja y vuelva a insertarlo correctamente.
REVISAR PUERTA	La puerta del cargador automático está abierta.
LIMPIEZA	El cargador automático está cargando un cartucho de limpieza en la unidad.
REQUIERE LIMPIEZA	La unidad de cinta requiere limpieza.
PUERTA CON SEGURO	La puerta del cargador automático está bloqueada.
PUERTA SIN SEGURO	La puerta del cargador automático no está bloqueada.
ERROR DE UNIDAD 04/XX/XX	Hay un problema con la unidad de cinta. Para obtener más información, póngase en contacto con el servicio técnico de Seagate.
BORRAR CINTA X]	La unidad de cinta está borrando el cartucho de cinta de la ranura X.
EXPULSAR CARTUCHO	El cargador automático está expulsando la bandeja de cintas.
EXPULS? OPRIMIR ENTRAR	La cinta reside en la unidad y se pulsó el botón de expulsión. Se requiere confirmación antes de que se expulse la cinta.
PREVENIR EXPLUS.	El cargador automático no le permite expulsar la bandeja porque el programa de software ha activado el modo PMR (<i>Prevent Media Removal</i> , impedir expulsión de soporte).
FALLA DE ABANICO	Hay un problema con el ventilador del cargador automático. Póngase en contacto con el servicio técnico de Seagate.
INSERTAR CARTUCHO VACIO	El cargador automático no puede descargar una cinta de la unidad a la bandeja debido a que la bandeja del cargador automático está cargada completamente. Expulse la bandeja e inserte una bandeja vacía en el cargador automático. Para obtener más información sobre la expulsión de una bandeja, consulte "Expulsión de una bandeja" en la página D-27.
ERROR DE CARGADOR 04/XX/XX	Hay un problema con el hardware del cargador automático. Para obtener más información, póngase en contacto con el servicio técnico de Seagate.

Mensaje de la pantalla LCD	Descripción
CARGAR CINTA X	La unidad de cinta está cargando el cartucho de cinta de la ranura X.
ERROR DE MEDIAS 03/XX/XX	Hay un problema con el cartucho de cinta. Para obtener más información, póngase en contacto con el servicio técnico de Seagate.
CARTUCHO AUSENTE	No hay ninguna bandeja en el cargador automático.
LEER CINTA X	La unidad de cinta está leyendo una cinta.
LISTO	El cargador automático ha explorado todas las ranuras de cartuchos de la bandeja y está listo para realizar una acción.
LISTA CINTA X	Hay una cinta (de la ranura X) en la unidad de cinta y el cargador automático está listo para aceptar comandos.
CAMBIAR CINTA DE LIMPIEZA	El cartucho de limpieza está agotado y debe reemplazarse con un cartucho de limpieza nuevo.
REGRESAR CINTA X	La unidad de cinta está rebobinando el cartucho de cinta de la ranura X.
EXPLORAR X	El cargador automático está explorando secuencialmente las ranuras de cartuchos de la bandeja.
BUSCAR CINTA X	La unidad de cinta está buscando el cartucho de cinta de la ranura X.
ELEGIR X OPRIMIR ENTRAR	Este mensaje se muestra cuando se pulsa el botón de selección. Pulse este botón repetidas veces para mostrar el número de cinta deseado (X) y, a continuación, pulse el botón de ingreso para cargar la cinta seleccionada en la unidad.
PREVENIR ELECCIÓN	El cargador automático no le permite seleccionar una cinta para cargar debido a que el ordenador principal ha emitido el comando Prevent Media Removal. Esto impide que se expulse la cinta que se encuentra en la unidad.
DESCARG. CINTA X	La unidad de cinta está descargando el cartucho de cinta de la ranura X.
ACTUALIZANDO FIRMAWARE	Se está actualizando el cargador automático o el firmware de la unidad de cinta.

Mensaje de la pantalla LCD	Descripción
ESPERAR AUTO PRUEBA	Este mensaje aparece mientras la unidad de cinta realiza una prueba de autoverificación durante el encendido (POST, <i>Power-On Self-Test</i>) durante el arranque.
GRABAR CINTA X	La unidad de cinta está escribiendo en el cartucho de cinta de la ranura X.

Configuración de las características del cargador automático por medio de la pantalla LCD

Para configurar el cargador automático por medio de la pantalla LCD, primero asegúrese de que no haya ninguna bandeja instalada en el cargador automático y, a continuación, mantenga pulsado el botón de selección durante cinco segundos. Después puede usar el botón de selección para desplazarse por los siguientes menús: VERSION (Versión), LANGUAG (Idioma), CONTRST (Contraste), AUTO/LD (Carga automática) y DOOR (Puerta). A continuación se describe cada uno de estos elementos. Para mostrar un menú en particular, seleccione el elemento del menú y pulse el botón de ingreso.

Menú de versión

En el menú VERSION puede usar el botón de selección para ver el nombre del cargador automático, su identificador SCSI, su nivel de firmware y el número de serie del cargador automático.

Menú de idioma

En el menú LANGUAG puede activar el cargador automático para que muestre mensajes en la pantalla LCD en inglés, francés, alemán, italiano, portugués, japonés o español desplazándose al idioma apropiado y pulsando el botón de ingreso.

Menú de contraste

En el menú CONTRST puede aumentar el brillo de la pantalla LCD pulsando el botón de ingreso repetidas veces hasta que obtenga el contraste deseado. Para oscurecer la pantalla LCD, pulse el botón de selección repetidas veces hasta que obtenga el contraste deseado.

Menú de carga automática

En el menú AUTO/LD, puede habilitar o deshabilitar la carga automática de cartuchos de cinta de la bandeja a la unidad de cinta.

Nota: Esta característica debe utilizarse sólo para automatizar la carga de cintas si *no* se encuentra disponible el programa de software de aplicación de soporte del funcionamiento del cargador.

La mayoría de los programas de software disponibles para las plataformas Windows NT/2000 *admiten* los comandos SCSI necesarios para la operación del cargador. En este entorno recomendamos dejar deshabilitada la carga automática (estado predeterminado). Consulte con su distribuidor de software si no está seguro sobre su aplicación de software particular.

Por otro lado, en los entornos Unix/Linux es posible que los programas de software para copias de seguridad no admitan directamente la operación del cargador automático. En este caso, se utiliza el comando "offline" (fuera de línea) para cambiar las cintas secuencialmente (en orden numérico por número de ranura). En los entornos Unix/Linux, la habilitación de la carga automática de cintas puede permitirle configurar un proceso de copias de seguridad sin supervisión.

Para habilitar la carga automática de cintas desde el menú de carga automática, seleccione "ON" y luego pulse el botón de ingreso. Una vez insertada la bandeja, se cargará automáticamente en la unidad la cinta 1. Cuando la carga automática está habilitada, puede seguir utilizándose el botón de selección para intercambiar las cintas, pero sólo de manera secuencial (en orden numérico, por número de ranura).

Para desactivar el modo de carga automática, muestre el menú de carga automática, seleccione "OFF" y luego pulse el botón de ingreso. Cuando la carga automática está deshabilitada, sólo se pueden cargar o descargar cintas por medio del panel frontal o de un programa de software de aplicación que admita un cargador automático.

Menú de la puerta

En el menú DOOR puede bloquear la puerta del cargador automático seleccionando "LOCK" y pulsando el botón de ingreso. Puede desbloquearla seleccionando "UNLOCK" y pulsando el botón de ingreso.

Limpeza de la unidad de cinta

Si se acumula una cantidad excesiva de polvo magnético o de residuos en uno o más cabezales de cinta, es posible que su unidad no pueda leer o escribir en una cinta o que experimente una cantidad excesiva de errores. Cuando se supera el umbral de limpieza, el cargador automático muestra la solicitud de limpieza de dos maneras:

- La pantalla LCD muestra el mensaje "REQUIERE LIMPIEZA".
- El LED de limpieza permanece encendido continuamente.

Nota: Si el LED de limpieza parpadea lentamente, puede indicar que una cinta está dañada o que está próxima a llegar al final de su vida útil. Si al limpiar el cabezal no se corrige la condición de parpadeo del LED, reemplace el cartucho.

Use la siguiente tabla para determinar la frecuencia de limpieza del cargador automático.

Uso diario (horas)	Frecuencia de limpieza óptima (para cintas DDS-4)
4	Dos veces al mes
8	Semanal
12 o más	Dos veces a la semana

Procedimiento de limpieza

Para limpiar los cabezales de cinta de su unidad DDS-4, use sólo cartuchos de limpieza aprobados por Seagate y diseñados para unidades DDS-4. Puede comprar un cartucho

de limpieza Seagate, modelo STDMCL, por Internet en la dirección <http://buytape.seagate.com>.

Nota: La unidad no puede reconocer los cartuchos de limpieza de audio DAT.

Limpieza manual

Puede limpiar la unidad manualmente mediante el siguiente procedimiento:

1. Coloque el cartucho de limpieza en la ranura de la bandeja e inserte la bandeja en el cargador automático.
2. Use el botón de selección para elegir la ranura en la que ha colocado el cartucho de limpieza.
3. Pulse el botón de ingreso para cargar el cartucho de limpieza en la unidad de cinta. El cargador automático empieza el ciclo de limpieza automáticamente.
4. Una vez completado el ciclo de limpieza, si el cartucho no se expulsa automáticamente pulse el botón de expulsión para devolver el cartucho de limpieza a la bandeja. Pulse el botón de expulsión nuevamente para descargar la bandeja y extraer el cartucho de limpieza.
5. Anote la fecha de la limpieza en la etiqueta del cartucho de limpieza.

Cada vez que se cargue el cartucho de limpieza, se avanzará la cinta de limpieza para utilizar una porción nueva y sin usar de la misma. La unidad no rebobina el cartucho de limpieza. Después de aproximadamente 30 ciclos de limpieza se habrá utilizado toda la cinta y deberá comprar un nuevo cartucho de limpieza.

Si inserta un cartucho de limpieza agotado, no se realizará el ciclo de limpieza. Además, el LED de limpieza parpadeará rápidamente y la pantalla LCD mostrará el mensaje "CAMBIAR CINTA DE LIMPIEZA". El cartucho de limpieza no será devuelto a la bandeja, el LED de limpieza permanecerá encendido y la pantalla LCD mostrará el mensaje "REQUIERE LIMPIEZA". En este caso, pulse el botón de

expulsión para retirar la bandeja y reemplace el cartucho de limpieza usado con uno nuevo.

Limpieza automática

Si su programa de software de realización y restauración de copias de seguridad incluye una característica de limpieza de cabezales para unidades de cinta, puede usar ese programa para limpiar la unidad. Algunos programas de software están programados de manera predeterminada para usar la ranura 6 para limpiar la unidad automáticamente. El programa de software hace que el cambiador del cargador automático cargue el cartucho en la unidad de cinta e inicia el ciclo de limpieza. Una vez completado el ciclo de limpieza, la unidad de cinta expulsa el cartucho de limpieza y el cambiador devuelve el cartucho automáticamente a la ranura de la bandeja. Consulte la documentación de su programa de software si desea más detalles.

Si durante la limpieza automática trata de usar un cartucho de limpieza agotado, el ciclo de limpieza no se realizará. Además, la pantalla LCD mostrará el mensaje "CAMBIAR CINTA DE LIMPIEZA". A continuación, el cartucho de limpieza será devuelto a la bandeja, el LED de limpieza permanecerá encendido y la pantalla LCD mostrará el mensaje "CAMBIAR CINTA DE LIMPIEZA" y "REQUIERE LIMPIEZA". Una vez completadas las operaciones del programa de software, puede usar el botón de expulsión para extraer la cinta de limpieza usada e insertar una nueva cinta de limpieza.

Información de cartuchos DDS-4

Compatibilidad con cartuchos DAT

Las unidades DDS-4 de Seagate están diseñadas para su uso con cartuchos DDS para datos, tales como los relacionados a continuación.

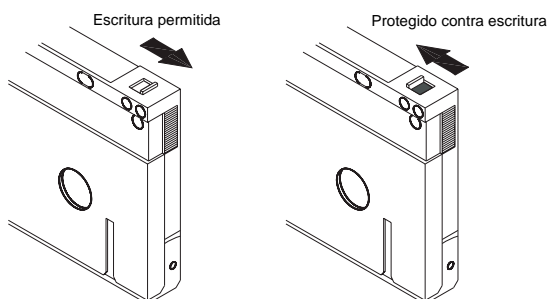
Nota: Con esta unidad no pueden utilizarse cintas DDS-1 de 60 metros.

- Modelo M32000
(DDS-1, 90 metros; capacidad sin compresión de 2 Gbytes)
- Modelo M34000
(DDS-2, 120 metros; capacidad sin compresión de 4 Gbytes)
- Modelo STDM24G
(DDS-3, 125 metros, capacidad sin compresión de 12 Gbytes)
- Modelo STDM40
(DDS-4, 150 metros, capacidad sin compresión de 20 Gbytes)

Protección contra escritura de los cartuchos DAT y de la bandeja

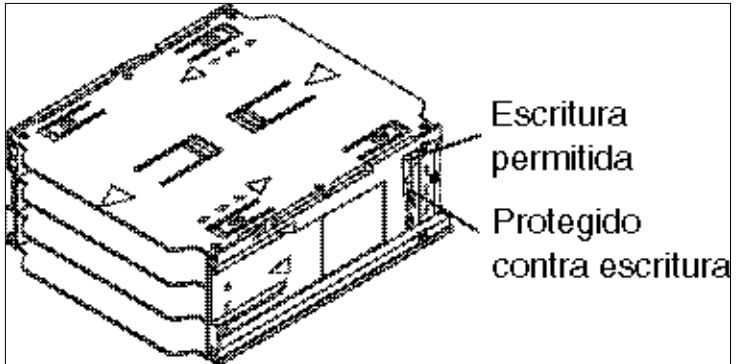
La figura 13 muestra cómo proteger contra escritura o permitir la escritura en una cinta DAT usando una lengüeta deslizante para protección contra escritura. Sólo puede grabar datos en la cinta si la lengüeta está en la posición cerrada.

Figura 13. Lengüeta de protección contra escritura del cartucho DAT.



La figura 14 muestra cómo proteger contra escritura una bandeja Scorpion 240. Para permitir la escritura en la bandeja, mueva la lengüeta hacia arriba. Para proteger contra escritura todos las cintas de la bandeja, mueva la lengüeta hacia abajo.

Figura 14. Lengüeta de protección contra escritura de la bandeja del cargador automático.



Preparación para transporte

Antes de transportar el Scorpion 240, debe bloquear la puerta del cargador automático para evitar que se dañe la unidad. Siga las instrucciones descritas a continuación para bloquear la puerta como último paso antes de apagar el cargador automático.

1. Asegúrese de que no haya ninguna bandeja en el cargador automático. La pantalla LCD debe mostrar el mensaje "CARTUCHO AUSENTE".
2. Mantenga pulsado el botón de selección durante 5 segundos. La pantalla LCD debe mostrar el siguiente menú:
 - > VERSION
 - LANGUAG
 - CONTRAST

3. Pulse el botón de selección cuatro veces. El cursor (>) se moverá hacia abajo hasta la palabra "DOOR", tal y como se muestra a continuación:
CONTRAST
AUTO/LD
> DOOR
4. Pulse el botón de ingreso. La pantalla LCD debe mostrar el siguiente submenú:
DOOR
> LOCK
UNLOCK
5. Pulse el botón de selección una vez para mover el cursor a "LOCK" y luego pulse el botón de ingreso. La pantalla volverá al menú mostrado en el paso 3.
6. Espere 5 segundos. La pantalla LCD mostrará nuevamente el mensaje "CARTUCHO AUSENTE". Después de otros 5 segundos, la pantalla LCD mostrará el mensaje "PUERTA CON SEGURO".
7. Apague el cargador automático.
8. Dé un ligero golpe a la puerta para comprobar que está bloqueada.

La puerta está ahora cerrada y bloqueada y el cargador automático está listo para ser embalado y transportado. La puerta se desbloquea automáticamente al reiniciarse la unidad.

Configuración para sistemas operativos UNIX, Novell y Windows NT

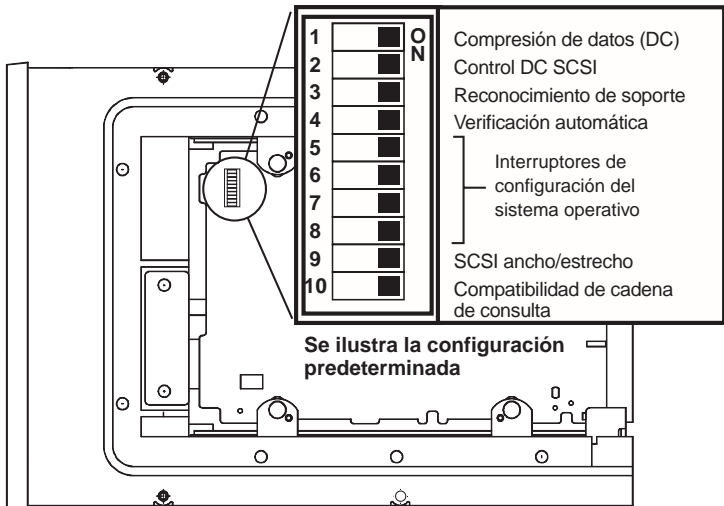
En esta sección se explica cómo configurar la unidad Scorpion 240 para su uso con diversos sistemas operativos UNIX, Novell y Windows NT.

Interruptores DIP de configuración del sistema operativo

La figura 15 muestra la posición de los interruptores DIP de configuración del sistema operativo (interruptores del 5 al 8) en la parte inferior de la unidad interna.

Nota: Si se va a utilizar la unidad con un sistema operativo que no figura aquí, estos interruptores deben permanecer en sus posiciones predeterminadas.

Figura 15.
Interruptores DIP de configuración del sistema operativo situados en la parte inferior de la unidad Scorpion 240.



Configuración para el entorno Windows NT

Si usa Windows NT 4.0 con el controlador 4mmDAT.SYS de Microsoft, *debe* colocar el interruptor 10 (el interruptor de cadena de consulta) en la posición OFF. Si usa el controlador STDAT4.SYS de Seagate, puede dejar el interruptor 10 en su posición predeterminada (ON). Con independencia del controlador que utilice, los cuatro interruptores de configuración del sistema operativo deben estar en la posición ON (posición predeterminada).

Configuración para entornos Novell

La siguiente tabla resume las configuraciones de los interruptores DIP para diversos controladores y sistemas operativos Novell. Estas configuraciones se describen con mayor detalle en los siguientes párrafos.

Sistema Operativo/ software del controlador de la cinta	Inter- ruptor 5	Inter- ruptor 6	Inter- ruptor 7	Inter- ruptor 8
Novell 4.11 con subprograma de copias de seguridad nativo que usa el controlador TAPEDAI o NWTAPE.CDM con fecha anterior a 3/11/99	OFF	ON	ON	OFF
Novell 4.11 con subprograma de copias de seguridad nativo que usa el controlador NWTAPE.CDM con fecha posterior a 3/11/99	ON	ON	ON	ON
Novell 5.x con subprograma de copias de seguridad nativo que usa el controlador NWTAPE.CDM con fecha anterior a 3/11/99	OFF	ON	ON	OFF
Novell 5.x con subprograma de copias de seguridad nativo que usa el controlador NWTAPE.CDM con fecha posterior a 3/11/99	ON	ON	ON	ON

Novell 4.11

Hay dos maneras posibles de configurar la unidad Scorpion 240 para que funcione con Novell 4.11 dependiendo de la unidad de cinta que utilice.

Configuración 1: si usa el controlador actual TAPEDAI de Novell o una versión del controlador NWTAPE anterior al 3/11/99, debe cambiar los interruptores DIP de configuración del sistema operativo para que los interruptores 5 y 8 estén en posición OFF, tal y como muestra la tabla anterior. Esta configuración es diferente a la predeterminada (todos los interruptores en ON).

Configuración 2: si usa el *último* controlador NWTAPE de Novell (disponible en el sitio web de Novell), los interruptores DIP de configuración del sistema operativo deben dejarse en sus posiciones predeterminadas (todos los interruptores en ON). Desde la estación de trabajo del administrador, coloque el controlador NWTAPE nuevo en el mismo directorio que el controlador TAPEDAI (generalmente el directorio del sistema). Modifique todos los archivos .ncf, como el archivo autoexec.ncf, que llamen al controlador TAPEDAI y reemplace las llamadas a TAPEDAI por llamadas a NWTAPE. No borre el controlador TAPEDAI, ya que puede serle útil en la resolución de problemas futuros.

Novell 5.x

Hay dos maneras posibles para configurar el Scorpion 240 para funcionar con Novell 5.x dependiendo de la unidad de cinta utilizada.

Configuración 1: si aún usa el controlador original NWTAPE de Novell o cualquier versión creada antes del 3/11/99, debe cambiar los interruptores DIP de configuración del sistema operativo para que los interruptores 5 y 8 estén en la posición OFF, tal y como muestra la tabla anterior. Esta configuración es diferente a la predeterminada (todos los interruptores en ON).

Configuración 2: si usa el *último* controlador NWTAPE de Novell (disponible en el sitio web de Novell), los interruptores

DIP de configuración de sistema operativo pueden dejarse en sus posiciones predeterminadas (todos los interruptores en ON). Antes de instalar el controlador NWTAPE nuevo, cambie de nombre antes el controlador NWTAPE antiguo (que generalmente se encuentra en el directorio del sistema). Luego copie la nueva versión del controlador NWTAPE en el mismo directorio. No borre el controlador antiguo, ya que podría ser útil en la resolución de problemas futuros.

Configuración para el entorno DEC UNIX

Configuración de los interruptores DIP

Antes de usar el Scorpion 240 en un entorno DEC UNIS, configure los interruptores DIP del sistema operativo como se muestra a continuación:

	Interrup- tor 5	Interrup- tor 6	Interrup- tor 7	Interrup- tor 8
Configuración	OFF	ON	ON	ON

Digital UNIX, versiones 4.0 y posteriores

Con la versión 4.0 de su sistema operativo UNIX, DEC introdujo un nuevo método de configuración del controlador CAM SCSI. Modifique el archivo **/etc/ddr.dbase** de la siguiente manera:

1. Busque en el archivo la entrada de la base de datos para el controlador TLZ07 DAT de DEC.
2. Copie esta entrada y péguela más adelante en el archivo, con cuidado de mantener la sintaxis del archivo.
3. Modifique esta nueva entrada tal y como se muestra a continuación.

```
SCSIDEVICE
#
Type = tape
Name = "SEAGATE" "DAT"
#
PARAMETERS:
TypeSubClass          = rdat
TagQueueDepth         = 0
MaxTransferSize       = 0x0fffffff # (16MB - 1)
ReadyTimeSeconds     = 60          # seconds

DENSITY:
#
DensityNumber = 0,3,4,5,6,7
DensityCode = default
CompressionCode = 0x0
Buffered = 0x1

DENSITY:
#
DensityNumber = 1,2
```

```
DensityCode = default
CompressionCode = 0x1
Buffered = 0x1
```

4. Guarde el archivo de base de datos.
5. Ejecute el siguiente comando: **ddr_config -c**. Este comando toma el archivo de entrada predeterminado, `ddr.dbase`, y crea una nueva base de datos para el dispositivo. Esta nueva base de datos se hace efectiva inmediatamente y no es necesario crear de nuevo el kernel.

Digital UNIX, versiones previas a la versión 4.0.

Configure el sistema modificando el archivo **cam_data.c**. Este archivo se encuentra en el directorio `/usr/sys/data` o `/sys/data`, dependiendo de la configuración. El archivo `cam_data.c` debe modificarse tal y como se muestra a continuación:

1. Busque en el archivo la entrada de base de datos para el controlador "TLZ07 - RDAT".
2. Haga una copia de esta entrada y péguela más adelante en el archivo, cuidando de mantener la sintaxis del origen C.
3. Modifique la entrada nueva tal y como se muestra a continuación:

```
/* Seagate DAT Drive Returning "SEAGATE DAT" Inquiry */
{"SEAGATE DAT", 14, DEV_TLZ07,
 (ALL_DTYPE_SEQUENTIAL << DTYPE_SHFT) | SZ_RDAT_CLASS,
 (struct pt_info *)ccmn_null_sizes, SZ_NO_BLK, (DEC_MAX_REC - 1),
 &tlz07_dens, NO_MODE_TAB, SZ_NO_FLAGS,
 NO_OPT_CMDS, SZ_READY_DEF, SZ_NO_QUE,
 DD_REQSNS_VAL | DD_INQ_VAL, 36, 64
},
```

4. Vuelva a crear el kernel usando la secuencia de comandos *doconfig*. A continuación, reinicie el sistema.

Configuración para el entorno Sun UNIX

Configuración de los interruptores DIP

Antes de usar el Scorpion 240 en un entorno Sun UNIX, configure los interruptores DIP del sistema operativo tal y como se muestra a continuación:

	Interrup- tor 5	Interrup- tor 6	Interrup- tor 7	Interrup- tor 8
Configuración	ON	OFF	ON	ON

Sun OS 4.1.x

Para configurar Sun OS 4.1.x para usar la unidad Scorpion 240, modifique los archivos **stdef.h** y **st_conf.c** (ubicados en el directorio /usr/sys/scsi/targets) y vuelva a crear el kernel, tal y como se describe a continuación:

1. Modifique el archivo **stdef.h** agregando una instrucción de definición para la unidad Seagate similar a la mostrada a continuación:

```
#define ST_TYPE_SEAGATE_DAT <value>
```

Esta instrucción debe agregarse después de la última instrucción de definición ST_TYPE_ del archivo. <value> debe ser el siguiente valor hexadecimal sin usar. Este valor dependerá de la versión y del número de dispositivos conectados al sistema. Por ejemplo, si el último valor para un dispositivo existente es 0x2d, entonces use el valor 0x2e.

2. Modifique el archivo **st_conf.c** agregando las siguientes líneas al final de la lista de definiciones de dispositivos:

```
/*Seagate DAT drive support */
{
"SEAGATE DAT", 7, "SEAGATE", ST_TYPE_SEAGATE_DAT, 10240,
(ST_VARIABLE | ST_BSF | ST_BSR | ST_LONG_ERASE | ST_KNOWS_EOD),
5000, 5000,
{0x0, 0x8c, 0x8c, 0x8c},
{0, 0, 0, 0}
}
```

3. Use el comando *config* para volver a crear el kernel e incluya la nueva definición del dispositivo. Consulte la página *config man* si desea más detalles.

Solaris 2.x

1. Para configurar Solaris 2.x para que sea compatible con la unidad Scorpion 240, agregue las siguientes líneas al archivo **st.conf** ubicado en el directorio */kernel/drv*.

```
tape-config-list=  
"SEAGATE DAT    06240-XXX", "Seagate DAT Drive", "SEAGATE_DAT";  
SEAGATE_DAT = 1,0x34,0,0xd639,4,0x00,0x8C,0x8C,0x8C,3;
```

Nota: La cadena de consulta anterior contiene cuatro espacios entre la palabra `DAT` y el valor `06240`.

2. Después de modificar el archivo **st.conf**, debe volver a configurar el kernel reiniciando el sistema por medio del comando *boot -r*.

Configuración para el entorno SGI

Configuración de los interruptores DIP

Antes de usar la unidad Scorpion 240 en un entorno SGI UNIX, asegúrese de que los interruptores DIP se encuentran dispuestos como se muestra a continuación:

	Interrup- tor 5	Interrup- tor 6	Interrup- tor 7	Interrup- tor 8
Configuración	ON	ON	ON	ON

Nota: La diferencia principal entre compatibilidad con unidades de cinta en Iris 5.x y 6.x es la introducción de conmutación para compresión de datos por software en la versión 6.2. Cuando se ejecuta Iris 5.x, la unidad siempre funciona en la configuración de compresión determinada por el interruptor 6 en la parte inferior de la unidad (off = compresión activada [predeterminada], on = compresión desactivada).

Irix, versión 5.x

Para configurar Iris 5.x para usar Scorpion 240, debe modificar el archivo `/var/sysgen/master.d/scsi` tal y como se describe a continuación:

1. Modifique el archivo `/var/sysgen/master.d/scsi` y agregue la siguiente entrada:

```
{DATTAPE, TPDAT, 7, 12, "SEAGATE", "DAT    06240" /*DAT*/ , 0, 0, {0, 0, 0, 0},
MTCAN_BSF | MTCAN_BSR | MTCAN_APPEND | MTCAN_SETMK | MTCAN_PART | MTCAN_PREV |
MTCAN_SYNC | MTCAN_SPEOD | MTCAN_CHKRDY | MTCAN_VAR | MTCAN_SETSZ |
MTCAN_SILI | MTCAN_SEEK | MTCAN_CHTYPEANY,
/* minimum delay on i/o is 12 minutes, to allow the Drives
• full error recovery sequence to be performed. */
40, 12*60, 12*60, 12*60, 512, 512*512 },
```

Nota: La cadena anterior contiene cuatro espacios entre la palabra `DAT` y el valor `06240`.

2. Vuelva a crear el kernel usando el comando autoconfig (consulte la página autoconfig man si desea más detalles). Después de que haya vuelto a crear el kernel, tendrá que reiniciar el sistema para que se hagan efectivos los cambios.

Nota: Las versiones de Iris 5.3 y posteriores detectan los cambios realizados y vuelven a crear automáticamente el kernel la siguiente vez que se reinicia el sistema.

Irix, versiones 6.x hasta 6.5

Para configurar Iris 6.x-6.5 para usar un Scorpion 240, debe modificar los archivos **/var/sysgen/master.d/scsi** y **/dev/MAKEDEV.d/TPS_base** tal y como se describe a continuación. Después de modificar estos archivos debe volver a crear el kernel.

1. Modifique el archivo **/var/sysgen/master.d/scsi** y agregue una de las siguientes entradas, dependiendo de su versión de IRIX:

Para IRIX versiones 6.x hasta V6.4:

```
{ DATTAPE, TPDAT, 7, 12, "SEAGATE", "DAT    06240" /*DAT*/, 0, 0, {0},
/* This drive uses mode select page 0xf for compression control;
• most of the other drives supporting compression use page 0x10 */
MTCAN_BSF|MTCAN_BSR|MTCAN_APPEND|MTCAN_SETMK|MTCAN_PART|MTCAN_PREV|
MTCAN_SYNC|MTCAN_SPEOD|MTCAN_CHKRDY|MTCAN_VAR|MTCAN_SETSZ|
MTCAN_SILI|MTCAN_SEEK|MTCAN_CHTYPEANY|MTCAN_COMPRESS,
/* minimum delay on i/o is 12 minutes, to allow the Drives
• full error recovery sequence to be performed. */
40, 12*60, 12*60, 12*60, 512, 512*512, 0, (u_char *)0 },
```

Para IRIX 6.5:

```
{ DATTAPE, TPDAT, 7, 12, "SEAGATE", "DAT    06240" /*DAT*/, 0, 0, {0},
/* This drive uses mode select page 0xf for compression control;
• most of the other drives supporting compression use page 0x10 */
MTCAN_BSF|MTCAN_BSR|MTCAN_APPEND|MTCAN_SETMK|MTCAN_PART|MTCAN_PREV|
MTCAN_SYNC|MTCAN_SPEOD|MTCAN_CHKRDY|MTCAN_VAR|MTCAN_SETSZ|
MTCAN_SILI|MTCAN_SEEK|MTCAN_CHTYPEANY|MTCAN_COMPRESS,
/* minimum delay on i/o is 12 minutes, to allow the Drives
• full error recovery sequence to be performed. */
```

```
40, 12*60, 12*60, 12*60, 3*3600, 512, 512*512,
tpsc_default_dens_count, tpsc_default_hwg_dens_names,
tpsc_default_alias_dens_names,
{0},0,0,0,
0, (u_char *)0 },
```

2. Modifique el archivo **/dev/MAKEDEV.d/TPS_base** y haga el siguiente cambio (este cambio no es necesario en sistemas que ejecuten IRIX 6.4 ó 6.5).

Busque el área de código que trate las unidades DAT. El código comienza por:

```
*Drive?type:*DAT*
```

A continuación, inserte el siguiente texto antes o después de entradas similares para otros dispositivos admitidos:

```
*Device:*DAT*06240*) # DAT drive with compression
mdev=`expr $mdev + 8`;
mknod ${prf}$1c c ${C_TPS} $mdev;
; ;
```

3. Reinicie el sistema. Iris 6.x detecta los cambios realizados y vuelve a crear automáticamente el kernel durante el arranque.

También puede volver a crear manualmente el kernel usando el comando **autoconfig** (consulte la página **autoconfig man** si desea más detalles) y después reiniciar de nuevo el sistema para hacer efectivos los cambios.

Resolución de problemas de instalación en la plataforma SGI

Verificación de la cadena de consulta de la unidad

Puede ser útil confirmar la cadena de consulta de la unidad, lo cual se realiza por medio del comando **mt**. La siguiente línea de comando recupera la cadena de consulta y otros datos de estado de una unidad colocada en el bus SCSI 1, identificador 4.

```
mt -f /dev/rmt/tps1d4 status
```


Problemas de intercambio del sistema

Si aparece el siguiente error al tratar de restaurar un archivo copia de otro sistema, es posible que se haya cometido un error en la secuencia de instalación descrita en la sección 7.1 anteriormente:

```
Byte swapped Data - re-try with correct device
```

Si se genera este error, asegúrese de que se hayan hecho las modificaciones apropiadas al archivo `/var/sysgen/master.d/scsi`.

Conmutación de compresión por hardware

Iris 6.x admite conmutación de software para compresión por hardware por medio de diferentes controladores de dispositivos. Los controladores que incluyen una "c" en el nombre del dispositivo deben habilitar la compresión. Es posible que pueda resolver problemas de compresión de datos al instalar la última actualización de Iris 6.x.

Configuración para el entorno HP-UX

Configuración de los interruptores DIP

Antes de usar el Scorpion 240 en un entorno HP UNIX, configure los interruptores DIP del sistema operativo tal y como se muestra a continuación:

	Interrup- tor 5	Interrup- tor 6	Interrup- tor 7	Interrup- tor 8
Configuración	ON	ON	OFF	ON

HP-UX, versiones 10.2 y 11

Siga los pasos descritos a continuación para configurar sistemas HP-UX:

1. Inicie la sesión con el nombre de usuario root.
2. Ejecute la utilidad SAM.
3. Elija la opción Peripheral Devices [Dispositivos periféricos].
4. Elija Tape Drives [Unidades de cinta].
5. En el menú Actions [Acciones] de la ventana Tape Device Manager [Administrador de dispositivos de cinta], elija Add [Agregar].
6. En la ventana "Add a Tape Drive" [Agregar una unidad de cinta], lea las instrucciones y, a continuación, haga clic en OK [Aceptar].
7. Es posible que el SAM detecte que su kernel HP-UX no tiene los controladores necesarios para usar su nueva unidad de cinta. Si es así, lea las instrucciones mostradas en la ventana "Device Driver Check" [Comprobación del controlador del dispositivo] y elija la acción adecuada. Si la opción elegida es "Build a new kernel and shut down the system immediately" [Crear un nuevo kernel y apagar el sistema inmediatamente], el SAM creará un nuevo kernel y reiniciará el sistema automáticamente. Una vez reiniciado el sistema, se cargarán los controladores necesarios y el sistema podrá usar la unidad de cinta.

8. Si tuvo que cerrar el sistema para conectar físicamente la unidad de cinta, vuelva a entrar en el SAM y repita los pasos del 3 al 6 anteriormente descritos.
9. Elija la nueva unidad de cinta.
10. En el menú *Actions*, elija *Create Device Files* [Crear archivos de dispositivos].
11. Haga clic en OK y luego salga del SAM.

Configuración para el entorno IBM AIX

Configuración de los interruptores DIP

Antes de usar el Scorpion 240 en un entorno IBM AIX, configure los interruptores DIP del sistema operativo tal y como se muestra a continuación:

	Interrup- tor 5	Interrup- tor 6	Interrup- tor 7	Interrup- tor 8
Configuración	ON	OFF	ON	OFF

Versión 3.2 y posteriores de AIX

Las versiones 3.2 y posteriores de AIX pueden configurarse para funcionar con Scorpion 240 eligiendo en el SMIT la opción "Other SCSI Tape Drive" [Otra unidad de cinta SCSI].

Nota: Para realizar este procedimiento, debe conocer el identificador SCSI que usa la unidad de cinta.

Para configurar AIX por medio de la utilidad SMIT, use el siguiente procedimiento:

1. Entre en el SMIT en el menú Tape Drive [Unidad de cinta] escribiendo "smit tape".
2. Seleccione "Add a tape drive" [Agregar una unidad de cinta].
3. Seleccione el tipo de unidad de cinta que agregará. Utilice la opción "Other SCSI Tape Drive".
4. Seleccione Parent SCSI Adapter [Adaptador SCSI primario] en la lista disponible.

5. Se mostrarán los campos "Add a tape Drive". Debe cambiarse algunas de las opciones estándar para aumentar al máximo el rendimiento y la funcionalidad de la unidad.
 - Configure el parámetro "Connection Address" [Dirección de conexión] con el Target [Destino] y el LUN de la unidad de cinta (utilice siempre el 0 para el LUN). En la lista, el Target es el primer número y el LUN es el segundo. Por ejemplo, si la unidad es ID 5, seleccione 5,0).
 - Configure el parámetro "Fixed Blocksize" [Tamaño de bloque fijo] en 1024.
 - Configure el parámetro "Density 1" [Densidad 1] en 140.
 - Configure el parámetro "Maximum delay for the Read/Write command" [Retardo máximo para el comando de lectura/escritura] en 900.
6. Pulse la tecla INTRO. Se instalará la unidad en la base de datos del sistema y se crearán los dispositivos adecuados.
7. Salga del SMIT

Control de compresión de datos en AIX

Después de que ejecute el SMIT, se habrán creado los archivos de dispositivos para su nueva unidad de cinta. A continuación se presentan los nombres de archivos típicos:

```
/dev/rmt0 /dev/rmt0.1 /dev/rmt0.2 /dev/rmt0.3  
/dev/rmt0.4/dev/rmt0.5 /dev/rmt0.6 /dev/rmt0.7
```

Si introduce la información de configuración especificada en el paso 5 del proceso de configuración, los dispositivos rmt0, rmt0.1, rmt0.2 y rmt0.3 harán que la unidad escriba en modo comprimido. Si usa los dispositivos rmt0.4, rmt0.5, rmt0.6 y rmt0.7, la unidad escribirá con el modo de compresión deshabilitado.

Configuración para SCO UNIX

Antes de usar el Scorpion 240 en un entorno SCO UNIX, configure los interruptores DIP del sistema operativo tal y como se muestra a continuación:

	Interrup- tor 5	Interrup- tor 6	Interrup- tor 7	Interrup- tor 8
Instalación SCO ODT y Open Server por medio de la utilidad MAKDEV	OFF	ON	ON	OFF
SCO UnixWare 7.x	ON	ON	ON	ON

Configuración para LINUX

Antes de usar el Scorpion 240 en un entorno LINUX, asegúrese de que todos los interruptores DIP del sistema operativo estén en la posición ON tal y como se muestra a continuación.

	Interrup- tor 5	Interrup- tor 6	Interrup- tor 7	Interrup- tor 8
Configuración	ON	ON	ON	ON

Resumen de las especificaciones de la unidad

Categoría	Especificación (bandeja de seis cartuchos)
Especificaciones de rendimiento	
Longitud/Tipo de cinta 90 m MP 120 m MP+ 125 m MP++ 150 m MP+++	(con una compresión de datos 2:1) 24,0 Gbytes (4,0 Gbytes / cartucho) 48,0 Gbytes (8,0 Gbytes / cartucho) 144,0 Gbytes (24,0 Gbytes / cartucho) 240,0 Gbytes (40,0 Gbytes / cassette)
Densidad de grabación (DDS-4)	122.000 bpi
Densidad de pista (DDS-4)	147,34 pistas/mm
Recuperación de errores	Leer después de escribir, Reed Solomon ECC, (C3 - 3 niveles)
Errores de grabación irrecuperables	< 1 en 10 ¹⁵ bits de datos
Configuración de cabezales	2 cabezales de lectura, 2 cabezales de escritura
Formato de grabación	DDS-1, DDS-2, DDS-3, DDS-4
Dimensiones del cartucho	7,3 cm x 5,3 cm x 1,0 cm.
Velocidad (constante) de transferencia	2,75 Mbytes/s sin compresión 5,5 Mbytes/s con compresión
Velocidad de transferencia sincrónica (en ráfagas)	80 Mbytes/s máx. (LVD) 40 Mbytes/s máx. (de un sólo extremo)
Velocidad de búsqueda	400 X velocidad normal
Tiempo medio de acceso cinta de 90 m cinta de 120 m cinta de 125 m cinta de 150 m	(un cartucho) < 30 s < 40 s < 40 s < 40 s
Tiempo de carga	≤ 15 s
Tiempo de cambio de cartucho	≤ 8,5 s
Velocidad de rotación del tambor	10.000 rpm

Categoría	Especificación (bandeja de seis cartuchos)	
Especificaciones medioambientales		
Temperatura (en funcionamiento) (en inactividad)	+ 5 °C a + 45 °C ¹ -40 °C a + 65 °C ²	
Gradiente térmico	2 °C/minuto (sin condensación)	
Humedad relativa (en funcionamiento) (en inactividad)	20% a 80% sin condensación 0% a 90% sin condensación	
Temperatura de termómetro húmedo máxima	26 °C	
Altitud (en funcionamiento) (en inactividad–apagado)	-100 a +4.575 metros -300 a +15.200 metros	
Vibración (en inactividad)	1,5 g (5 a 500 Hz)	
Prueba de barrido de vibración	1,20 mm pico a pico (5-17 Hz) 0,73 g pico (17-150 Hz) 0,50 g pico (150-500 Hz)	
Tasa de barrido de vibración	8 décadas por hora	
Prueba de parada de vibración (15 min)	0,90 mm pico a pico (5-17 Hz) 0,55 g pico (17-150 Hz) 0,25 g pico (150-500 Hz)	
Nivel acústico sin carga (suma ponderada)	47 dBA máximo	
Nivel acústico en funcionamiento (suma ponderada)	60 dBA máximo (medido en un recinto adecuado a 1 m de distancia y a la altura del operador)	
Golpe (1/2 onda sinusoidal) En funcionamiento En inactividad	pico de 10 g, 11 ms pico de 50 g, 11 ms	
Especificaciones de alimentación		
Voltaje de CC y tolerancia	+12 VCC ± 10%	+5 VCC ± 7%
Corriente (en funcionamiento/pico)	0,7 / 2,4 A	1,7 / 2 A
Fluctuación (pico a pico)	≤ 100 mV	≤ 100 mV
Disipación de alimentación (en espera) Disipación de alimentación (en funcionamiento)	< 11 W < 17 W	

Servicio técnico

Si tiene problemas al instalar o usar su unidad de cinta, el servicio técnico de Seagate puede ayudarle. Si tiene preguntas generales sobre las aplicaciones y productos de cinta de Seagate, póngase en contacto con el servicio técnico de preventa de cintas de Seagate.

Servicios en el mundo:

World-Wide Web: Dispone de una gran variedad de servicios de asistencia técnica en el sitio web de Seagate en la dirección <http://www.seagate.com>.

Puede comprar productos de cinta o accesorios por Internet en la dirección <http://buytape.seagate.com>.

Asistencia técnica de Seagate por correo electrónico: Puede enviar sus preguntas o comentarios a la dirección de correo electrónico: tapesupport@seagate.com

Servicios regionales

Seagate proporciona asistencia técnica por medio de varios centros regionales en todo el mundo. Algunos de estos servicios son:

- **Asistencia técnica por teléfono de Seagate:** ayuda personalizada de un especialista en asistencia técnica durante horario laborable local. Antes de llamar, anote la configuración de su sistema y el número de modelo de la unidad.
- **Fax de asistencia técnica de Seagate:** puede enviar por fax sus preguntas o comentarios a especialistas de asistencia técnica. Las respuestas se envían durante el horario laborable local.
- **SeaFAX:** puede usar un teléfono multifrecuencia para acceder al sistema de fax automatizado de Seagate con el fin de obtener información de asistencia técnica por fax. Este servicio está disponible las 24 horas del día.

- **SeaBOARD:** sistema de boletín electrónico automatizado de Seagate, disponible las 24 horas del día. Configure su software de comunicaciones a 8 bits de datos, sin paridad y un bit de parada (8-N-1).

Asistencia técnica en el continente americano

Asistencia técnica por teléfono

(se le conectará con un número de teléfono específico del producto o un número de SEAFAX)

Clientes de EE.UU.: 1-800-SEAGATE

Clientes internacionales: 1-405-936-1234

Fax de asistencia técnica de Seagate (EE.UU. e internacionales): 1-405-936-1683

SeaTDD (asistencia telefónica para personas sordas; EE.UU. e internacionales): 1-405-936-1687

SeaBOARD (EE.UU. e internacionales): 1-405-936-1630

Servicio técnico de preventa: 1-800-626-6637

Asistencia técnica en Europa

Para los servicios de atención al cliente y SeaFAX en Europa, llame al número gratuito correspondiente a su país, que puede encontrar en la tabla siguiente. El número del fax de asistencia técnica de Seagate para todos los países europeos es 31-20-653-3513.

País	Teléfono / SeaFAX
Austria	0 800-20 12 90
Bélgica	0 800-74 876
Dinamarca	80 88 12 66
Francia	0 800-90 90 52
Alemania	0 800-182 6831 (vea también SeaBOARD al 49-89-1409331)
Irlanda	1 800-55 21 22
Italia	800-790695

País	Teléfono / SeaFAX
Países Bajos	0 800-732 4283
Noruega	800-113 91
Polonia	00 800-311 12 38
España	900-98 31 24
Suecia	0 207 90 073
Suiza	0 800-83 84 11
Turquía	00 800-31 92 91 40
Reino Unido	0 800-783 5177

Si su país no aparece en la lista anterior, llame al centro europeo de Amsterdam al número de teléfono 31-20-316-7222 de 8:30 a 17:00 (hora de Europa central) de lunes a viernes, o envíe un fax al número 31-20-653-3513.

Asistencia técnica para África y Oriente Medio

Para asistencia técnica en África y Oriente Medio, llame al centro europeo de Amsterdam al número de teléfono 31-20-316-7222 de 8:30 a 17:00 (hora de Europa central) de lunes a viernes, o envíe un fax al número 31-20-653-3513.

Asistencia técnica en Asia y Pacífico Occidental

Para servicio preventa y asistencia técnica en Asia y Pacífico Occidental, llame al número gratuito correspondiente a su país. Esos números gratuitos están disponibles de lunes a viernes de 6:00 a 10:45 y de 12:00 a 18:00 (horario del este de Australia). Si su país no figura en la lista, use uno de los números directos.

Centro de llamadas	Número de cargo revertido	Número directo	Número de fax
Australia	1800-14-7201	+61-2-9725-3366	+61-2-9725-4052
Hong Kong	800-90-0474	—	+852-2368 7173
Indonesia	001-803-1-003-2165	—	—
Japón	—	—	+81-3-5462-2979
Malasia	1-800-80-2335	—	—
Nueva Zelanda	0800-443988	—	—

Singapur	800-1101-150	+65-488-7584	+65-488-7528
Taiwán	—	+886-2-2514-2237	+886-2-2715-2923
Tailandia	001-800-11-0032165	—	—

Scorpion 240 DDS-4
オートローダー
インストール・マニュアル

セクション **E**
日本語

SCORPION

© 2000 Seagate Removable Storage Solutions, LLC. All rights reserved

発行番号: 100135972

Seagate および Seagate のロゴは Seagate Technology, LLC の登録商標です。Scorpion 240、Scorpion のロゴは Seagate Removable Storage Solutions LLC の商標あるいは登録商標です。その他の製品名は各所有者の商標あるいは登録商標です。

Seagate は製品ラインナップや仕様を予告なく変更することがあります。本書は Seagate Removable Storage Solutions の書面による許可なしにはそのどの部分も、いかなる形でも複製することはできません。

発行番号: 10007066-003, November 13, 2000

目次

目次	E-3
米連邦通信委員会(FCC)の通告	E-5
はじめに	E-7
このマニュアルについて	E-7
Scorpion 240 オートローダーについて	E-7
取り付けを始める前に	E-9
注意事項	E-9
開梱と点検	E-9
内蔵オートローダーの取り付け	E-10
内蔵オートローダーの設定	E-10
内蔵オートローダーの取り付け	E-15
SCSI インターフェース・ケーブルの接続	E-16
電源ケーブルの接続	E-17
外付けオートローダーの取り付け	E-18
外付け Scorpion 240 の設定	E-18
電源コードの接続	E-20
運用と保守	E-21
オートローダーの起動	E-21
カートリッジとマガジンの使用	E-22
フロントパネル・ボタンについて	E-26
フロントパネル上の各種 LED について	E-27
フロントパネル上の液晶ディスプレイについて	E-30
テープ・ドライブのクリーニング	E-34
DDS-4 カートリッジ情報	E-37
輸送する場合	E-38
UNIX、Novell、Windows NT オペレーティング・システム の設定	E-40
オペレーティング・システム設定 DIP スイッチ	E-40
Windows NT 環境の設定	E-41
Novell 環境の設定	E-41
DEC UNIX 環境の設定	E-44

Sun UNIX 環境の設定	E-46
SGI 環境の設定	E-48
HP-UX 環境の設定	E-52
IBM AIX 環境の設定	E-53
SCO UNIX の設定	E-54
LINUX の設定	E-55
ドライブ仕様の要約	E-56
サポート・サービス	E-58

米連邦通信委員会 (FCC) の通告

本装置は高周波エネルギーを発生し使用するため、メーカーの指示に厳格に従ってインストールして使用しなければ、ラジオやテレビの受信障害を引き起こし、ユーザが装置を操作する資格を失うことになりかねません。この機器は検査済みであり、住宅に設置した場合に発生するこの種の干渉を防止するために立案された FCC 規則第 15 項に従って、クラス B デジタル機器の制限に準拠しています。しかし、設置の仕方次第ではそのような障害が起こらないという保証はありません。障害が発生した場合、以下の手段をいくつか試してください。

- 受信アンテナの向きまたは場所を変える。
- コンピュータと受信機間の距離を離す。
- コンピュータ用のコンセントがある回路と受信機用のコンセント回路を別にする。
- ディーラーまたは経験あるラジオ／テレビ技術者に相談する。

米連邦通信委員会発行の小冊子「ラジオ・テレビの受信障害を確認し解決する方法」をご参照ください。役立つ情報が見つかるかもしれません。この小冊子（在庫番号 004-000-00345-4）は連邦政府印刷局 U.S. Government Printing Office, Washington, DC 20402 からお求めになれます。

この機器は「カナダ干渉波発生装置規制」に準拠し、クラス B デジタル装置の制限に適合しています。

Cet appareil numérique de la classe B est conforme au Règlement sur brouillage radioélectrique, C. R. C., ch. 1374.

はじめに

このマニュアルについて

このマニュアルには **Scorpion 240** オートローダーの取り付けと運用に関する情報が記載されています。

Scorpion 240 オートローダーについて

シーゲートの内蔵オートローダーは **DDS** (デジタル・データ・ストレージ)、**DDS-1**、**DDS-2**、**DDS-3**、**DDS-4** のテープ・フォーマットをサポートする、完全統合型のインテリジェントな複数カートリッジ・テープ・システムです。付属のマガジンには最高 **6** 本のテープ・カートリッジを収容できます。

内蔵オートローダー (**STDL42401LW**) は、コンピュータ内部の高さ **5.25** インチ (**134** ミリ) のフルサイズ・ドライブ・ベイ内に設置されるよう設計されています。外付けオートローダー

(**STDL62401LW**) は、スタンドアロン形式のサブシステムで **68** ピンの遮蔽 **SCSI** ケーブルでホスト・システムに接続します。

注記: **Scorpion 240** は **SCSI-1** 環境では動作しません。

Scorpion 240 オートローダーは、確立した **DDS** 技術、高密度記録とハードウェア・データ圧縮能力、シーゲートの立証済みコンピュータ・グレードの **DDS** テープ・ドライブを組み合わせ、卓越した信頼性と性能を提供します。

ドライブ・アプリケーション

Scorpion 240 オートローダーは、次のようなサーバやネットワークおよび企業向けアプリケーションに理想的です。

- 大容量ディスク・ドライブやディスク・アレイのバックアップ
- 自動ストレージ管理
- オンラインでの自動データ収集
- あらゆる種類のテキスト、グラフィック、マルチメディア・データのニアライン二次ストレージ
- アーカイブ・ストレージ

Scorpion 240 の容量とデータ転送速度

Scorpion 240 は、使用テープ・メディアの種類と長さにより、以下の容量と持続データ転送速度を提供します。これらの容量とデータ転送速度は 2:1 のデータ圧縮に基づいています。非圧縮時の容量はこれらの半分の値になります。

テープ・フォーマット:	DDS	DDS-2	DDS-3	DDS-4
テープ長 (m)	90	120	125	150
カートリッジ 1 本の場合の容量 (ギガバイト)	4.0	8.0	24.0	40.0
カートリッジ6本収容マガジンの容量 (ギガバイト)	24.0	48.0	144.0	240.0
持続データ転送速度 (メガバイト/秒)	1.83	1.83	5.5	5.5

注記: 本ドライブには 60 メートルの DDS は使用できません。

取り付けを始める前に

注意事項

注意: 以下の注意事項を守って、静電気による内蔵オートローダーへの損傷を避けてください。

- 取り付け準備が完了するまで静電気防止袋からドライブを取り出さないでください。
- 静電気防止袋からドライブを取り出す前に、接地した金属面に触れて体内に蓄積した静電気を放電してください。
- ドライブは端だけで持って電子部品との直接接触を避けてください。
- ドライブを置く必要があれば、静電気防止袋の上に置くか、その中に入れてください。

開梱と点検

シーゲートのオートローダーは工場での点検を受け慎重に梱包されますが、輸送中に損傷が起こることがあります。次の手順に従って、オートローダーを開梱してください。

1. 梱包箱を点検します。損傷があれば、直ちに輸送会社に通知してください。
2. 梱包箱を平らな、清潔で安定した表面に置いてください。ていねいに中身を取り出し、梱包リストを確認します。部品がなかったり装置に損傷がある場合は、シーゲートの販売代理店にお知らせください。
3. ドライブの梱包箱や梱包材料は、ドライブ返送の場合に必要なですので保管しておいてください。

内蔵オートローダーの取り付け

本章では内蔵 Scorpion 240 オートローダーの設定、取り付け、ケーブル接続の方法を説明します。

内蔵オートローダーの設定

Scorpion 240 の内蔵モデルをコンピュータに取り付ける前に、システムに合わせてドライブを設定することが必要な場合があります。

初期設定

内蔵オートローダーは次のように初期設定されています。

- ドライブは **SCSI ID 6** に設定
- パリティチェック実行
- **SCSI 終端器出力**の使用不可
- データ圧縮実行
- 電源投入時、自己診断を実行
- **MRS チェック**実行
(ドライブは非 **MRS** テープには書き込みません)

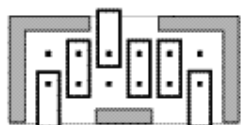
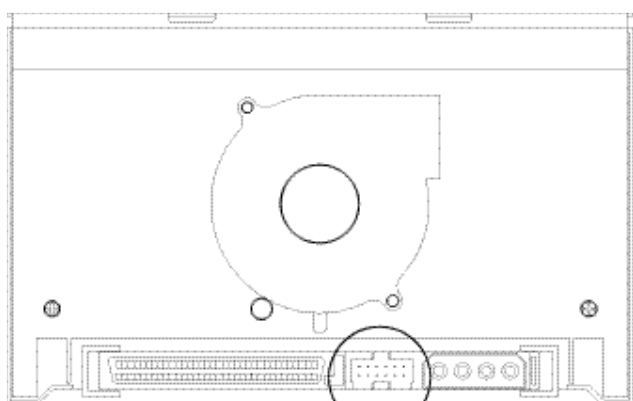
これらの初期設定がお使いのシステムに合っている場合は、E-15 ページの「内蔵オートローダーの取り付け」に進んでください。

ジャンパ設定の変更

SCSI ID、パリティチェック、成端出力を変更するには、図1に示すようにドライブ背面のジャンパを使用してください。

注記：ジャンパや DIP スイッチを変更する前にドライブの電源を切ってください。変更はドライブを再起動すると有効になります。

図 1 Scorpion 240 背面のジャンパ・ピン



ジャンパ初期設定 (SCSI ID 6, パリティ
チェック実行可能、成端出力使用不可能)

ピン:	機能:
1-2	SCSI ID ビット 0
3-4	SCSI ID ビット 1
5-6	SCSI ID ビット 2
7-8	SCSI ID ビット 3
9-10	パリティチェック
11-12	成端出力

SCSI ID=0	■ ■ ■ ■
SCSI ID=1	■ ■ ■ ■
SCSI ID=2	■ ■ ■ ■
SCSI ID=3	■ ■ ■ ■
SCSI ID=4	■ ■ ■ ■
SCSI ID=5	■ ■ ■ ■
SCSI ID=6	■ ■ ■ ■
SCSI ID=7	■ ■ ■ ■

SCSI ID=8	■ ■ ■ ■
SCSI ID=9	■ ■ ■ ■
SCSI ID=10	■ ■ ■ ■
SCSI ID=11	■ ■ ■ ■
SCSI ID=12	■ ■ ■ ■
SCSI ID=13	■ ■ ■ ■
SCSI ID=14	■ ■ ■ ■
SCSI ID=15	■ ■ ■ ■
パリティ実行可能	■ ■ ■ ■
成端出力	■ ■ ■ ■

SCSI アドレスの選択 (ピン 1 からピン 8)

SCSI バス上の各 SCSI 装置は独自の SCSI ID を持つ必要があります。SCSI コントローラやホスト・アダプタは通常 ID 7 を使用します。システムによってはブート・ドライブに ID 0 または ID 1 を使うものがあります。

図1に示すように、ピン対 1-2 からピン対 7-8 を適当にジャンパすることでドライブに使用する SCSI アドレスを選択することができます。

注記: SCSI ID 8~15 は、DIP スイッチ 9 が ON の場合に限り認識されます。詳細は、E-14 ページを参照してください。

パリティチェック (ピン 9 とピン 10)

ジャンパがピン 9 とピン 10 に取り付けられているとパリティチェックが実行されます。このピンの対にジャンパが取り付けられていないとパリティチェックは実行されませんが、それでもドライブでパリティが生成されます。

終端器出力 (ピン 11 とピン 12)

ジャンパがピン 11 とピン 12 に取り付けられていると、成端出力が出されます。

注記: 内蔵 Scorpion 240 は SCSI 成端を持たないため、SCSI チェーンの最後の装置としてインストールしないでください。詳細は、E-16 ページの「SCSI 成端」を参照してください。

成端出力ジャンパを取り付ける場合は、TERMPWR 信号を接地にショートさせないように注意してください。ショートするとバスへの成端出力が中断することがあります。ショートが除去されるとドライブ内のヒューズが自動的にリセットされ、成端出力が回復します。

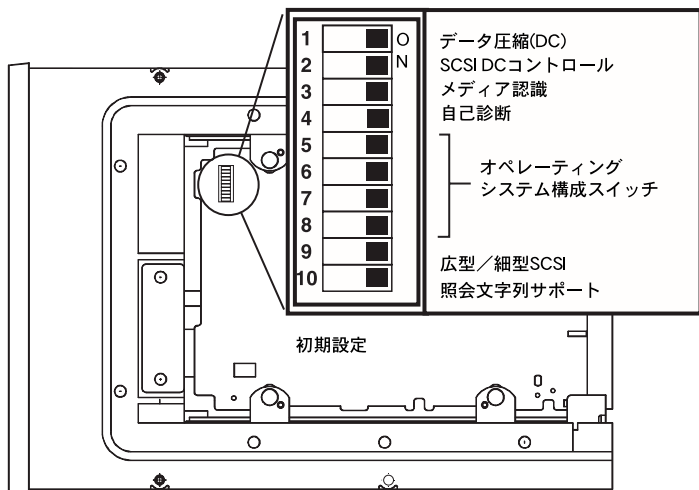
DIP スイッチ設定の変更

データ圧縮、MRS チェック、電源投入時の自己診断、オペレーティング・システムの設定、広型/細型 SCSI の選択、ドライブの照会文字列などを変更するには、内蔵ドライブの下側にある DIP スイッチを使用する必要があります。

図 2 は内蔵 Scorpion 240 の下側にある DIP スイッチの場所を示します。次ページ以降に、これらの各スイッチについて詳しく説明します。

注記：ジャンパや DIP スイッチを変更する前にドライブの電源を切ってください。変更はドライブを再起動すると有効になります。

図 2 内蔵 Scorpion 240 用の DIP スイッチ設定



データ圧縮 (スイッチ 1 と 2)

スイッチ 1 が ON (初期設定) になっていると、ドライブの電源を入れたときに、ハードウェア・データの圧縮が行われます。このスイッチが OFF だと、電源投入時にハードウェア・データの圧縮は行われません。

DIP スイッチ 2 が ON (初期設定) になっていると、SCSI コマンドによりハードウェア・データ圧縮を実行可能あるいは不可にすることができます。SCSI コマンドによってハードウェア・データの圧縮を実行可能または不可にできなくするには、DIP スイッチ 2 を OFF に設定します。

メディア認識システム (スイッチ 3)

メディア認識システムは、特定のテープ・カートリッジが DDS テープ標準に準拠しているかをドライブが認識できるようにします。非

DDS メディアを使用しても問題がないように見えることもありますが、これらのメディアの劣った仕様によってデータの完全性に問題が起きることがあります。

スイッチ 3 はメディア認識システム(MRS)の使用可能/不可を切り替えます。スイッチ 3 が ON(初期設定)の場合、ドライブは MRS メディアの読み取りと書き込みを行い、非 MRS メディアからは読み取りはするものの書き込みはしません。スイッチ 3 が OFF の場合、ドライブは MRS メディアと非 MRS メディア両方の読み取りと書き込みをします。

電源投入時の自己診断の実行可能/不可の切り替え(スイッチ 4)

スイッチ 4 はドライブの電源投入時の自己診断を実行可能または不可にします。スイッチ 4 が ON(初期設定)の場合、ドライブは電源投入時に自己診断を行います。スイッチ 4 が OFF の場合、ドライブは電源投入時に自己診断を行いません。

オペレーティング・システムの設定(スイッチ 5～8)

スイッチ 5～8 は、ドライブを UNIX、Novell、Windows NT オペレーティング・システムで使用する場合に設定します。設定については、E-40 ページから始まる手順で説明します。この 4 個のスイッチの初期設定はすべて ON です。

SCSI 広型/細型(スイッチ 9)

スイッチ 9 は、SCSI バス上の広型 SCSI の使用可能/不可を切り替えます。スイッチ 9 が ON(初期設定)の場合、ドライブは広型(16 ビット)SCSI モードでの動作が可能になります。スイッチ 9 が OFF の場合、ドライブは細型(8 ビット)SCSI 装置としてしか動作しません。

注記: スイッチ 9 が OFF に設定されている場合、ドライブは SCSI ID 0～7 までしか使用できません。

照会文字列(スイッチ 10)

スイッチ 10 は、SCSI Inquiry(SCSI 照会)コマンドを使って照会したときにドライブが返すベンダーID を選択するために使用します。スイッチ 10 が ON(初期設定)の場合、ベンダーID は「SEAGATE DAT」になります。スイッチ 10 が OFF の場合、ベンダーID は

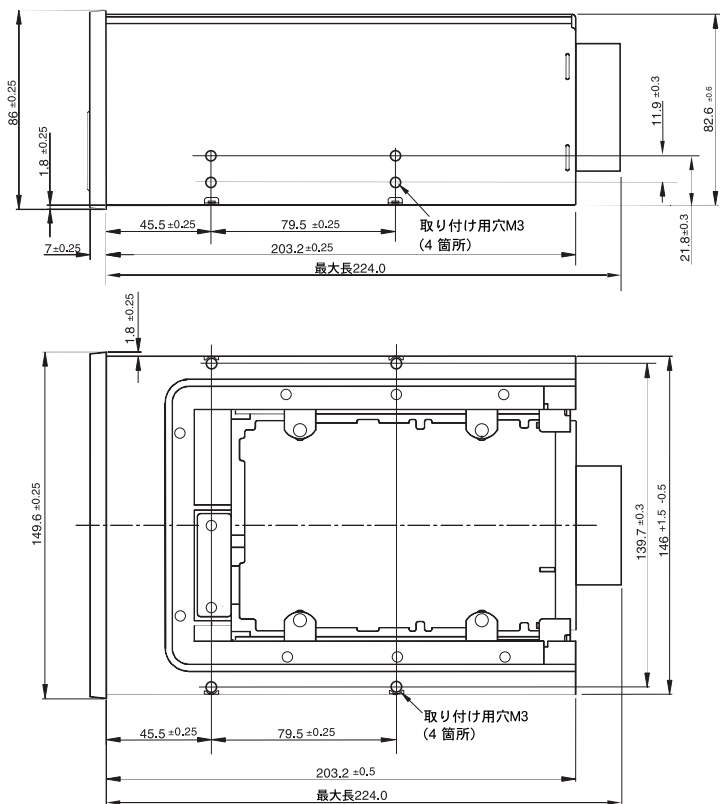
「ARCHIVE Python」になります。ベンダーID「ARCHIVE Python」は、以前のシーゲート DDS テープ・ドライブとのソフトウェア互換性を提供するために、独立ソフトウェアベンダーが使用できます。

内蔵オートローダーの取り付け

Scorpion 240 は、高さ 5.25 インチ (134 ミリ) のフルサイズ・ドライブ・ベイに水平に取り付ける必要があります。図 3 に示すようにドライブの側面または底に 4 個の M3.0 のミリ・ネジを使って取り付けます。ドライブを傷つける恐れがあるため、4 ミリ以上のネジは使わないでください。

注記：ドライブを取り付ける際、オートローダーの底と背面の排気ファンと換気スロットを塞がないように注意してください。

図 3 取り付け穴の位置



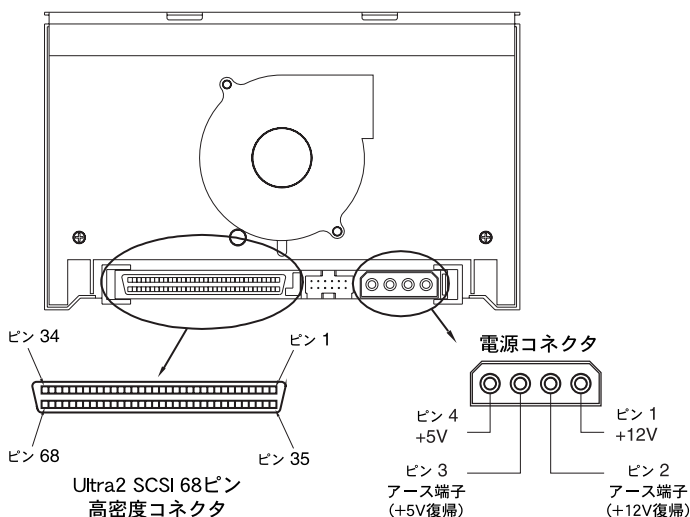
SCSI インターフェース・ケーブルの接続

コンピュータとドライブの電源をすべて切ってください。次に SCSI コントローラからの 68 ピン広幅内部 SCSI ケーブルをオートローダー裏側の SCSI コネクタに接続します。SCSI コントローラ・ケーブルのピン 1 がドライブのピン 1 に接続するよう注意してください。図 4 はドライブの SCSI コネクタ上のピン 1 の位置を示しています。SCSI ケーブルのピン 1 は色付きの縞柄で表わされています。

Scorpion 240 ドライブには、タイプの異なる次の 2 種類の SCSI インターフェースを使用できます：Ultra2 SCSI (LVD) または広型(16ビット)シングルエンド SCSI。ドライブは、LVD またはシングルエンド広型 SCSI バスのどちらかに接続されているかを自動的に検出できます。

注記：Scorpion 240 は SCSI-1 環境では正しく動作しません。

図 4 内蔵 Scorpion 240 のインターフェース・コネクタ

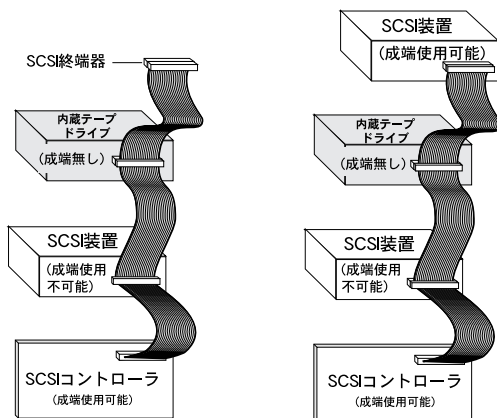


SCSI 成端

内蔵 Scorpion 240 は SCSI 成端を持っていません。そのためこれを SCSI チェーンの最後の装置にすることはできません。図 5 に成端の例を 2 つ示します。ドライブが唯一の SCSI 装置の場合、ドライブを SCSI チェーンの最後から 1 つ前のコネクタに取り付け、

LVD/シングルエンドのマルチモード終端器をチェーンの最後のコネクタに取り付けます。

図5 内蔵 Scorpion 240 用 SCSI 成端の2例



電源ケーブルの接続

5/12 ボルト、4 ピン電源ケーブルをドライブ背面の電源コネクタに取り付けます。前ページの図4に電源コネクタの位置が示されています。

推奨される内蔵ドライブ用4ピン電源コネクタは、AMP 60617-1ピン付きのAMP 1-48024-0ハウジングあるいは同等のものです。

外付けオートローダーの取り付け

外付け Scorpion 240 はターンキー・サブシステムとしてホスト・コンピュータに接続するコンパクトな外付けドライブです。外付けドライブは次の3つの簡単な手順で取り付けることができます。

1. ドライブの設定
2. SCSI インターフェース・ケーブルの接続
3. 電源コードの接続

外付け Scorpion 240 の設定

外付け Scorpion 240 用は次のように初期設定されています。

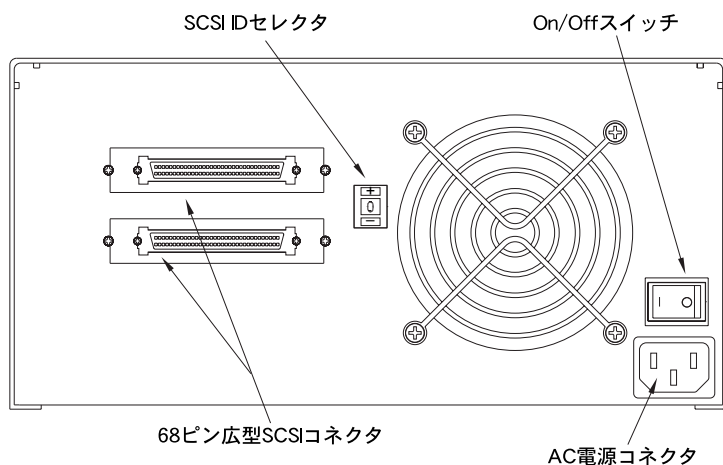
- SCSI ID: 6
- メディア認識システム (MRS) チェック: 実行
- パリティチェック: 実行
- データ圧縮: 実行
- 電源投入時の自己診断: 実行
- ホスト・オペレーティング・システム: Windows 95/98/NT/2000
- 成端出力: SCSI バスに供給

SCSI ID の設定

ドライブの電源を必ず切ってください。次に外付けドライブの背面にある押しボタン式スイッチを使ってドライブの SCSI ID を設定します。次ページの図 6 に、このスイッチ、2 個の SCSI インターフェース・コネクタ、ON/OFF スイッチ、電源コード・コネクタを示します。

注記: SCSI ID の変更を有効にするには、ドライブを再起動する必要があります。

図 6 外付け Scorpion 240 の背面パネル



SCSI インターフェース・ケーブルの接続

Scorpion 240 には、2個の 68 ピン遮蔽コネクタがケースの背面パネルにあります。どちらのコネクタも SCSI IN または SCSI OUT 接続用として使用できます (どちらのコネクタもドライブからホスト・コンピュータまたは他の SCSI 装置への接続に使用できます)。

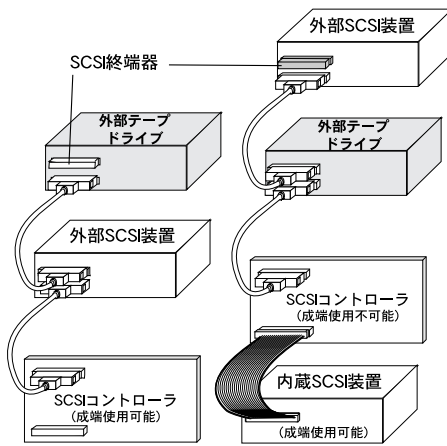
まずコンピュータとすべての SCSI 装置の電源を切ってください。次にホスト・アダプタあるいはその他 (終端でない) SCSI 装置からの SCSI ケーブルを Scorpion 240 に接続します。

注記: Scorpion 240 は SCSI-1 環境では動作しません。

SCSI 成端

Scorpion 240 が SCSI チェーン内の最後の装置または唯一の装置である場合、未使用の SCSI コネクタに終端プラグを取り付ける必要があります。図 7 に SCSI 成端の例を2つ示します。Scorpion 240 用の終端器 (部品番号 10006525-001) は弊社ウェブサイト <http://buytape.seagate.com> でお求めになれます。

図 7 SCSI 外付け Scorpion 240 用成端の 2 例



例1: 外部SCSI装置のみを持つシステムでのSCSI成端

例2: 内蔵と外部SCSI装置を両方持つシステムでのSCSI成端

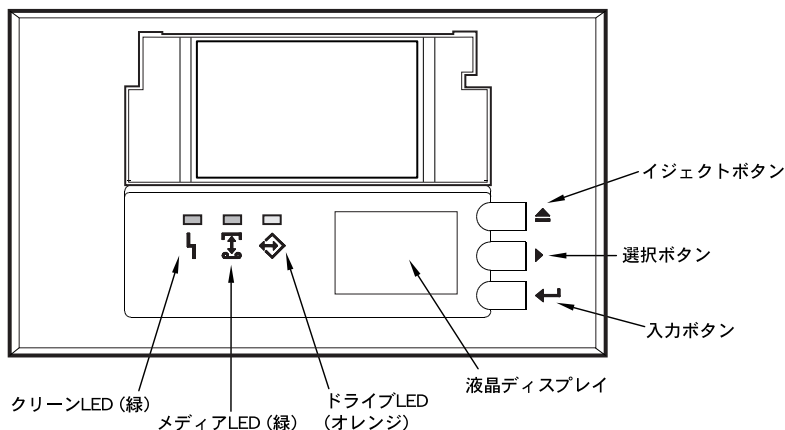
電源コードの接続

電源コードをドライブ背面の電源コネクタにしっかりと接続します。外付けドライブの電源コネクタの位置は、E-19 ページの図 6 に示されています。

運用と保守

この章では Scorpion 240 オートローダーと DDS-4 カートリッジの使い方を説明します。また、図 8 に示すドライブ前面パネルの LED と LCD 表示の見方についても説明します。

図 8 内蔵 Scorpion 240 オートローダーの前面図
(外付けドライブも同様)



オートローダーの起動

コンピュータの電源を入れる前に、コンピュータに接続されているすべての SCSI 装置の電源を入れます。オートローダーを初めて起動した場合は、次の状態表示が行われます。

1. クリーン、メディア、ドライブの各 LED が 2 秒ほど点灯した後点滅を始めます。
2. 液晶ディスプレイに現在の SCSI ID に続いて「ウェイティングセルフテスト」のメッセージが表示されます。
3. マガジンがロードされている場合、マガジンのどのスロットにカートリッジが入っているかをドライブが確認する間、液晶ディスプレイに「スキャン X」のメッセージが表示されます。
4. ドライブが各カートリッジを識別するにつれて、識別されたカートリッジのスロット番号が液晶ディスプレイに表示されます。

5. すべてのテストが完了すると、マガジンがロードされている場合は液晶ディスプレイに「レディ」のメッセージが表示されます。マガジンがロードされていない場合は「ノーマガジン」が表示されます。

注記：お使いのコンピュータがオートローダーを認識しない場合、バックアップ・ソフトウェアに適正なオートローダー・モジュールを読み込む必要があるかもしれません。詳細は、『バックアップ・ソフトウェア・インストレーション・マニュアル』を参照してください。

カートリッジとマガジンの使用

ラベルの貼付

カートリッジにラベルを貼付する際、オートローダーにカートリッジが引っかかることを防止するために以下の注意事項をお守りください。

- ラベルはしっかりと、ラベル貼付用の凹んだ部分内に貼ってください。
- ラベルが貼付場所からはみ出したり、カートリッジの端に折り込まれないように注意してください。
- 古いラベルに重ねて貼らないでください。

注意： オートローダーのマガジンの上にはラベルを貼らないでください。テープ機構が作動しなくなることがあります。

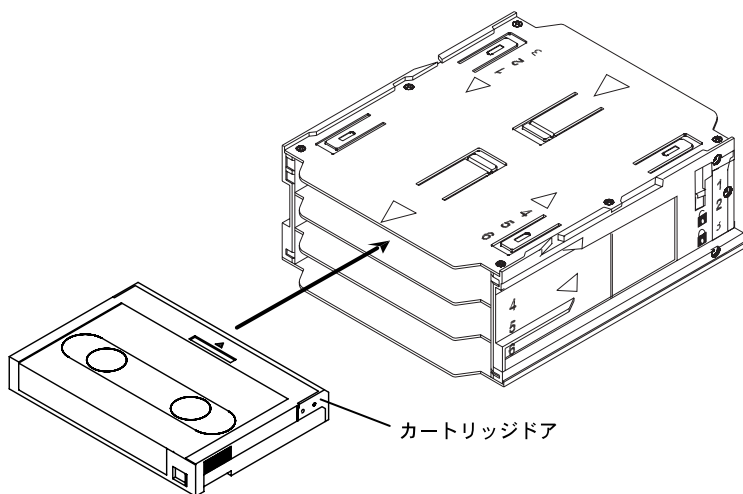
カートリッジをマガジンにロードする

Scorpion 240 には認可された DDS カートリッジのみをご使用ください。シーゲート認可カートリッジのリストは E-37 ページに掲載されています。次の手順に従って、カートリッジをマガジンにロードしてください。

1. 必要に応じて、カートリッジが書き込み禁止または書き込み可能になっていることを確認します。詳細は、E-37 ページを参照してください。
2. マガジンの側面に記されているスロット番号が正しい方向を向くようにマガジンを置きます。

3. 図 9 に示すように、カートリッジのドアをマガジンのスロットに向けてカートリッジをマガジンに挿入します。

図 9 カートリッジをオートローダーのマガジンに挿入

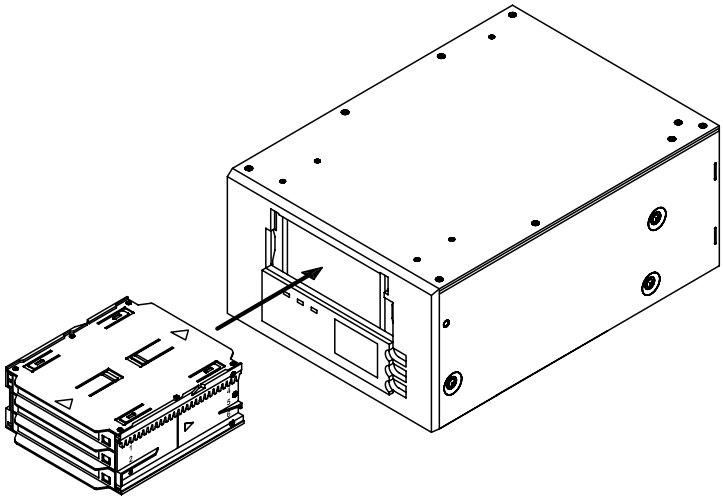


マガジンオートローダーにロード

注意：すべての LED が点滅しているときは、マガジン絶対にロードしないでください。電源投入時の自己診断中です。

1. ドライブに電源が入り、正常に動作していることを確認します。
2. スロット番号が正しい方向を向くようにマガジンを持ちます。
3. 必要に応じて、マガジンを書き込み禁止あるいは書き込み可能にします。詳細は、E-38 ページを参照してください。
4. 図 10 に示すように、三角形のマークをオートローダー・パイに向けてマガジンオートローダーに挿入します。ゆっくりとマガジンオートローダーに押し入れると、オートローダー機構がマガジン感知し内部に引き込みます。

図 10 マガジンをオートローダーにロードする



カートリッジまたはマガジンのイジェクト

カートリッジまたはマガジンをイジェクトするにはイジェクト・ボタンを押します。カートリッジがドライブに入っていれば、液晶ディスプレイに「イジェクト? プッシュエンター」というメッセージが表示されます。入力ボタンを押し、以下の動作が完了するまでお待ちください。

1. パーティション開始 (BOP) マークまでテープが巻き戻される。
2. テープカートリッジが書き込み禁止 (読み取り専用) でない場合にオペレーティング・システムが更新されたテープ記録のコピーをテープに書き込む。
3. メディア開始 (BOM) マークまでテープが巻き戻され、スレッド解除される。
4. 自動交換装置がカートリッジをマガジンに戻す。
5. マガジンがイジェクトされる。

テープドライブにカートリッジがない場合、マガジンは直ちにイジェクトされます。

強制イジェクト

テープ・ドライブ使用中にイジェクト・ボタンを押すと、ドライブはイジェクト要求に応答する前に実行中のタスクを終了します。これはデータ消失の可能性をなくすための配慮です。

ただし、非常事態では、カートリッジ上のデータ消失のリスクを負っても、強制的にイジェクトしてカートリッジをアンロードすることが必要な場合もあります。強制イジェクトは、カートリッジを取り出す方法がこれ以外にない場合に限ってご使用ください。

注意 : 強制イジェクトするとカートリッジが読めなくなり、アプリケーション・ソフトウェアで消去または再初期化が必要になることがあります。

ドライブにカートリッジがロードされていないときにマガジンをイジェクトしなければならない場合にも、強制イジェクトを使います。カートリッジがドライブにロードされていないときに強制イジェクトすると、オートローダーは、一旦電源を切って入れ直したときと同様、35 秒間待ってからマガジンをイジェクトした後リセットします。

強制イジェクトするには、イジェクト・ボタンを少なくとも 5 秒間押し続けてから放します。強制的にイジェクトすると、以下の状態表示が行われます。

ドライブにカートリッジが入っている場合、ステータス・パネルに「アンロードテープ X」(ここで、X は現在ドライブにあるテープが入っているマガジンのスロット番号)というメッセージが表示されます。テープがマガジンに巻き戻された後、表示は「イジェクトマガジン」に変わり、マガジンがイジェクトされます。

注記 : 強制イジェクトは動作を中断するため、カートリッジのイジェクト前にテープにデータ終了 (EOD) マークが書き込まれない場合があります。テープに EOD マークが書き込まれていなければ、テープが正しくフォーマットされず、テープ上のデータが消失することがあります。テープが正しくフォーマットされなくても、通常、エラー時までのデータは読み取りできます。

強制イジェクトしてもカートリッジやマガジンを取り出せない場合、シーゲートのテクニカル・サポート係までご連絡ください。

自動または手動でのカートリッジのロード

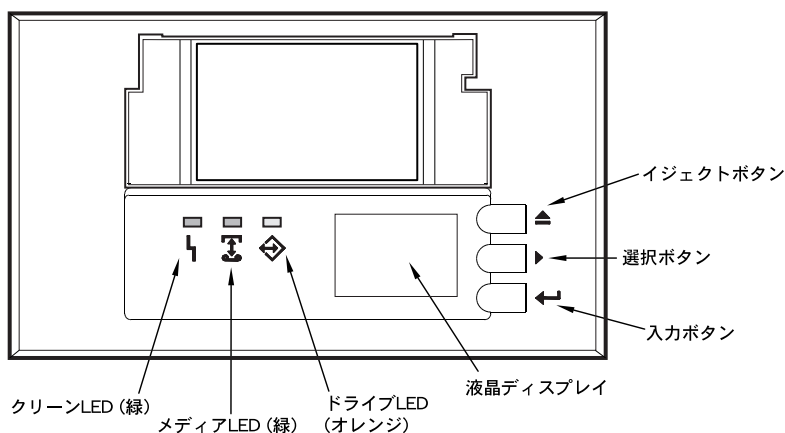
カートリッジをマガジンにロードし、マガジンをマガジン・ベイに挿入した後は、オートローダーを放置しておいて読み取り/書き込みを自動的に行わせることができます(この動作はバックアップ・ソフトウェアが制御します)。

テープを手動でロードするには、選択ボタンを押して希望のテープ・スロットを選択してから、入力ボタンを押します。

フロントパネル・ボタンについて

ここではオートローダーのボタンの機能を説明します。図 11 にボタンの位置を示します。

図 11 オートローダー・フロントパネル



イジェクト・ボタン

イジェクト・ボタンは、マガジンをイジェクト(排出)したりカートリッジをドライブからアンロードするときに使います。イジェクト・ボタンを押した後、入力ボタンを押して承認する必要があります。

選択ボタン

選択ボタンは、個々のテープカートリッジをスロット番号(1~6)で選択したり、液晶ディスプレイ上のメニュー項目をスクロールしたり、

マガジンが挿入されていないときにローダー・メニューにアクセスするために使います。

入力ボタン

入力ボタンは、液晶ディスプレイ上のメニューから特定の項目を選択したり、ドライブにカートリッジをロードしたり(選択ボタンでカートリッジを選んだ後)、ドライブにテープが入っているときにマガジンをイジェクトすることを承認するために使います。

フロントパネル上の各種 LED について

前ページの図 11 に示すように、Scorpion 240 オートローダーのフロントパネルには正常およびエラー状態を示す3個の LED が付いています。LED の点滅コードについて、以下に説明します。

クリーニング LED

クリーニング LED は以下の機能を持ちます。

- クリーニング LED が持続してオンの場合、ドライブのクリーニングが必要です。ドライブのお手入れには、E-34 ページに示すようにシーゲート認可のクリーニング用カートリッジのみをご使用ください。
- クリーニング LED がゆっくり点滅する場合、使用中のテープ・カートリッジが定義されているソフト・エラーのしきい値を超えたことを意味します。この信号は警告のみで、まだデータは消失していません。この信号が出たら早急にテープを取り出してシーゲート認可のクリーニング用 DDS カートリッジでドライブをクリーニングしてください。クリーニングした後、データ・カートリッジを再び挿入しても引き続きクリーニング LED が点滅する場合は、これ以降はバックアップ用に新しいカートリッジを使用してください。

メディア LED

メディア LED は以下の機能を持ちます。

- メディア LED が持続してオンの場合、DDS カートリッジが挿入されており、ドライブは正常に動作しています。

- メディア LED が速く点滅している場合、ドライブがテープに正常に書き込めず（再書き込み最大数を超えて）、書き込みが失敗したことを意味します。シーゲート認可のクリーニング用 DDS カートリッジでドライブヘッドをクリーニングしてください。データ・カートリッジを再び挿入しても引き続き LED が点滅する場合、新しいカートリッジを挿入してもう一度操作をやり直してください。

注記： 日常の保守の一環として、DDS-1 または DDS-2 テープを使用の場合は 25 時間運用後、DDS-3 または DDS-4 テープを使用の場合は 50 時間運用後に、ドライブ・ヘッドをクリーニングする必要があります。

ドライブ LED

ドライブ LED は次の機能を持ちます。

- ドライブ LED が持続してオンの場合、ドライブはテープに読み取りまたは書き込み中（つまり SCSI またはテープが動作中）です。

注意： ドライブ LED がオンのときにイジェクト・ボタンを押すと、ホストの動作が中断され、アプリケーション・エラーが発生します。このために書き込みが中断された場合は、このテープへの書き込みを再開できないことがあります。

注記： SCSI Prevent Media Removal（SCSI メディア取り出し防止）コマンドが出されると、ドライブ LED はオンのままとなり、イジェクト・ボタンが使用できなくなるため、テープが誤ってイジェクトされることがありません。

- ドライブ LED が速く点滅している場合、ハードウェアで故障が起きたことを意味します。これがドライブの電源投入直後に起きた場合は、電源投入時の自己診断が実行されたものの失敗したことを意味します。フロントパネル上の他の LED も同時に点滅している可能性があります。この場合、シーゲートのテクニカル・サポート係までお問い合わせください。ドライブの動作中にドライブ LED が速く点滅している場合は、イジェクト・ボタンを押してテープを取り出すよう試みてください。2 分以内にイジェクトしない場合、イジェクト・ボタンを 5 秒間押し

続けます。テープは 40 秒以内にイジェクトされます。詳細については、シーゲートのテクニカル・サポート係までお問い合わせください。

LED コードの要約

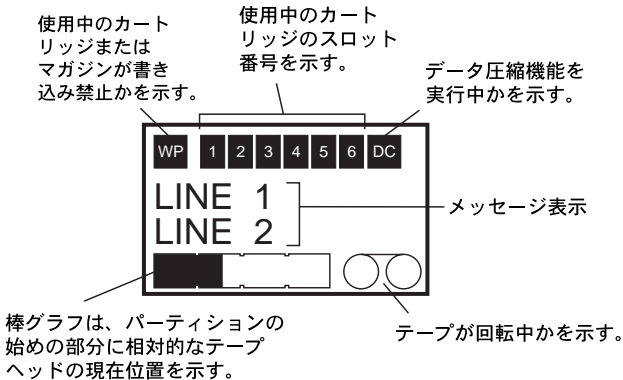
次表は Scorpion 240 の LED 点滅コードの要約です。

LED	状態	意味
クリーニング	オン (点灯)	ドライブが 25 時間 (DDS-1 と DDS-2) または 50 時間 (DDS-3 と DDS-4) 以上使用されたためクリーニングが必要です。
	ゆっくり 点滅	内部エラーしきい値を超えたためクリーニングが必要です。
	点滅	ドライブ内のクリーニング・カートリッジの寿命が切れています。クリーニング・カートリッジを交換してください。
メディア	オン (点灯)	カートリッジが挿入されており、過度なエラーは発生していません。
	点滅	ドライブは正しくテープに書き込みませんでした (書き込みエラーが発生しました)。シーゲート認可のクリーニング用カートリッジでドライブをクリーニングしてください。
ドライブ	オン (点灯)	ドライブは正常に読み取り/書き込みを行っています。
	速く 点滅	ハードウェアの故障が起きました。

フロントパネル上の液晶ディスプレイについて

図 12 に、フロントパネル上の液晶ディスプレイに表示される情報を示します。

図 12 液晶ディスプレイの機能



液晶ディスプレイのバック照明

液晶ディスプレイのバック照明はオートローダーの電源を入れたときと、フロントパネル・ボタンが押されたときに自動的に点灯します。バック照明は 2 分間ついて、その後自動的に消灯します(フロントパネル・ボタンが押されていればこの限りではありません)。

液晶ディスプレイ上のメッセージ

次表は液晶ディスプレイに表示されるメッセージを説明します。メッセージは ABC 順にリストされています。「X」は現在使用中のカートリッジ・スロット番号を示します。

メッセージ	説明
カセット インストール プロブレム	カートリッジがマガジンに正しく挿入されていません。マガジンをオートローダーからイジェクトしてください(E-24 ページ参照)。その後でカートリッジをマガジンから外して正しく挿入し直してください。
チェックドア	オートローダーのドアが開いています。
クリーニング	オートローダーがドライブにクリーニング・カートリッジをロードしています。
クリーニングヨウキユウ	テープ・ドライブのクリーニングが必要です。
ドアロック	オートローダーのドアがロックされています。
ドアアンロック	オートローダーのドアがロックされていません。
ドライブエラー 04/XX/XX	テープ・ドライブに問題があります。詳細情報はシーゲートのテクニカル・サポートまでお問い合わせください。
イレーステープ X	テープ・ドライブがスロット X からのテープ・カートリッジを消去しています。
イジェクトマガジン	オートローダーがテープ・マガジンをイジェクトしています。
イジェクト? ブッシュエンター	テープがドライブに入っており、イジェクト・ボタンが押されました。テープをイジェクトするには OK が必要です。
イジェクトプリベント	ソフトウェアが PMR (メディア取り出し防止) を実行可能にしたため、オートローダーがマガジンのイジェクトを妨げています。
ファン コショウ	オートローダーのファンに問題があります。シーゲートのテクニカル・サポートまでご連絡ください。
インサート エンプティ マガジン	マガジンが一杯のため、オートローダーがテープをテープ・ドライブからアンロードしマガジンに収められません。マガジンをイジェクトし、空のマガジンをオートローダーに挿入してください。マガジンのイジェクトの詳細は、E-24 ページの「マガジンのイジェクト」を参照してください。
ローダーエラー 04/XX/XX	オートローダーのハードウェアに問題があります。詳細情報はシーゲートのテクニカル・サポートまでお問い合わせください。
ロードテープ X	テープ・ドライブがスロット X からテープ・カートリッジをロードしています。
メディアエラー 03/XX/XX	テープ・カートリッジに問題があります。詳細情報はシーゲートのテクニカル・サポートまでお問い合わせください。
ノー マガジン	オートローダーにマガジンが入っていません。

メッセージ	説明
リード テープ X	テープ・ドライブがテープから読み取り中です。
レディ	オートローダーはマガジンのすべてのカートリッジ・スロットを走査しました。準備完了です。
レディ テープ X	テープ・ドライブにはテープ(スロット X からの)が入っており、オートローダーはコマンド待ち状態です。
クリーニング テープ コウカン	クリーニング用カートリッジが消耗しました。新しいクリーニング・カートリッジと交換してください。
リワインド テープ X	テープ・ドライブがスロット X からのテープ・カートリッジを巻き戻しています。
スキャン X	オートローダーがマガジンのカートリッジ・スロットを順次走査しています。
サーチ テープ X	テープ・ドライブが スロット X からのテープ・カートリッジを検索しています。
セレクト X ブッシュ エンター	選択ボタンを押すとこのメッセージが表示されます。希望のテープ番号 (X) が表示されるまで選択ボタンを押し続けてください。希望のテープ番号が表示されたら、入力ボタンを押してそのテープをドライブにロードします。
セレクト プリバント	ホストが Prevent Media Removal (メディア取り出し防止) コマンドを出したので、オートローダーがロードするテープの選択を妨げています。これによって、ドライブ内のテープがイジェクトできなくなっています。
アンロード テープ X	テープ・ドライブがスロット X からのテープ・カートリッジをアンロードしています。
アップデート ファームウェア	オートローダーまたはテープ・ドライブのファームウェアをアップデートしています。
ウェイティング セルフテスト	起動時にテープ・ドライブが電源投入時自己診断 (POST) を実行中にこのメッセージが表示されます。
ライト テープ X	テープ・ドライブがスロット X からのテープ・カートリッジに書き込み中です。

液晶ディスプレイを使ってオートローダー機能を設定

液晶ディスプレイを使ってオートローダー機能を設定するには、まずオートローダーにマガジンが入っていないことを確認します。次に選択ボタンを5秒間押し続けます。選択ボタンを使ってバージョン、ゲンゴ、コントラスト、オートロード、ドアロックのメニュー間を循環できるようになります。各メニューについて以下に説明します。特定のメニューを表示するには、そのメニューを選択してから入力ボタンを押します。

バージョン・メニュー

バージョン・メニューでは、選択ボタンを使って、オートローダーの名前、SCSI ID、ファームウェア・レベル、シリアル番号を表示できます。

ゲンゴ・メニュー

ゲンゴ・メニューでは、液晶ディスプレイに英語、フランス語、ドイツ語、イタリア語、ポルトガル語、日本語、スペイン語のうちのどの言語でメッセージを表示するかを選択できます。希望の言語までスクロールしてから入力ボタンを押してください。

コントラスト・メニュー

コントラスト・メニューでは、希望のコントラストになるまで入力ボタンを繰り返し押し続けて液晶ディスプレイを明るくできます。暗くするには、希望のコントラストになるまで選択ボタンを繰り返し押します。

オートロード・メニュー

オートロード・メニューでは、マガジンからテープ・ドライブへのテープ・カートリッジのオートロードを実行可能または実行不可にできます。

注記：この機能はローダーをサポートするアプリケーション・ソフトウェアがない場合に限り、テープのロードを自動化するために使用できます。

Windows NT/2000 プラットフォーム対応ソフトウェアの多くは、ローダーに必要な **SCSI** コマンドをサポートしています。**Windows NT/2000** 環境では、自動ロード機能を使用不可（デフォルト状態）にしておく

ようお勧めします。特定のソフトウェアに関する詳細については、各ソフトウェア・ベンダーにお問い合わせください。

Unix/Linux 環境では、バックアップ・ソフトウェアがオートローダーをサポートしていない場合もあります。そのような場合には、「オフライン」コマンドを使って、テープを順番（スロット番号順）に交換します。
Unix/Linux 環境では、テープのオートロード機能を使用可能にしておくこと、自動バックアップを設定できます。

オートロード・メニューからテープのオートロード機能を使用可能にするには、「オン」を選択し、入力ボタンを押します。マガジンを挿入すると、テープ1が自動的にドライブにロードされます。オートロード機能が使用可能になっていても、選択ボタンを使ってテープを交換できます。その場合の交換順序はスロット番号順に限ります。

オートロード・モードをオフにするには、オートロード・メニューを表示して「オフ」を選択し、入力ボタンを押します。オートロードを使用不可にすると、テープはフロントパネルからか、オートローダーをサポートするアプリケーション・ソフトウェアを使用してのみロード/アンロードできます。

ドアロック・メニュー

ドアロック・メニューでは、「ロック」を選択して入力ボタンを押すことでオートローダーのドアをロックできます。「アンロック」を選択して入力ボタンを押すと、オートローダーのドアのロックを解除できます。

テープ・ドライブのクリーニング

磁気を帯びた粉塵が過剰にテープヘッドに付着すると、ドライブがテープから読み取り/書き込みできなくなったり過剰なエラーを起こすようになることがあります。クリーニングのしきい値を超えると、オートローダーではクリーニングの必要性が次の2つの方法で示されます。

- 液晶ディスプレイに「クリーニングヨウキユウ」と表示される
- クリーニング LED がオンのまま(点灯し続ける)

注記：クリーニング LED がゆっくり点滅すると、テープが損傷したり、寿命に近づいたことを意味します。ヘッドをクリーニングしても点滅が消えない場合は、カートリッジを交換してください。

下表をご参照の上、オートローダーのクリーニング間隔を決めてください。

毎日の使用時間	最適クリーニング頻度 (DDS-4 テープご使用の場合)
4 時間	月 2回
8 時間	毎週
12 時間以上	週 2回

クリーニング手順

DDS-4 ドライブのテープヘッドを掃除するには、DDS-4 ドライブ用にデザインされたシーゲート認可のクリーニング・カートリッジのみをご使用ください。シーゲートのクリーニング・カートリッジ・モデル **STDMCL** は弊社ウェブサイト <http://buytape.seagate.com> からお求めになれます。

注記：ドライブはオーディオ用 DAT クリーニング・カートリッジは認識しません。

手動クリーニング

次の手順に従って手動でクリーニングすることもできます。

1. クリーニング・カートリッジをマガジン・スロットに入れ、マガジンをオートローダーに挿入します。
2. 選択ボタンを使って、クリーニング・カートリッジを入れたスロットを選択します。
3. 入力ボタンを押して、クリーニング・カートリッジをテープ・ドライブにロードします。オートローダーが自動的にクリーニング・サイクルを始めます。
4. クリーニング・サイクルが終了したときにクリーニング・カートリッジが自動的にイジェクトされない場合には、イジェクト・ボタンを押してクリーニング・カートリッジをマガジンに戻します。もう一度イ

ジェクト・ボタンを押してマガジンをアンロードし、クリーニング・カートリッジを取り出します。

5. クリーニング・カートリッジのラベルにクリーニングの日付を記録します。

クリーニング・カートリッジが、ロードされるたびに未使用のクリーニング・テープ部分が現われ、テープ・パス全長にわたって使用されます。ドライブはクリーニング・カートリッジの巻き戻しはしません。約 30 回のクリーニング・サイクルでテープは使い切れ、新しいカートリッジを購入する必要があります。

使い切ったクリーニング・カートリッジを挿入すると、クリーニング・サイクルは開始せず、クリーニング LED が速く点滅し、液晶ディスプレイに「クリーニングテープコウカン」のメッセージが表示されます。クリーニング・カートリッジはマガジンに戻らず、クリーニング LED が点灯したままになり、液晶ディスプレイに「クリーニングヨウキュウ」と表示されます。この場合は、イジェクト・ボタンを押してマガジンを取り出し、新しいテープに交換してください。

自動クリーニング

バックアップと復元ソフトウェアにテープ・ドライブのヘッドクリーニング機能が含まれている場合は、ソフトウェアを使ってドライブをクリーニングすることができます。ソフトウェアの中には、ドライブの自動クリーニング用にスロット6を使うようにプログラムされているものもあります。ソフトウェアはカートリッジをテープ・ドライブにロードするようオートローダーの交換装置に要求し、クリーニング・サイクルを開始させます。クリーニング・サイクルが完了するとテープ・ドライブはクリーニング・カートリッジをイジェクトし、交換装置がカートリッジを自動的にマガジン・スロットに戻します。詳細は、ソフトウェアマニュアルを参照してください。

自動クリーニング中に使い切ったクリーニング・カートリッジを使おうとすると、クリーニング・サイクルは開始せず、液晶ディスプレイに「クリーニングテープコウカン」のメッセージが表示されます。クリーニング・カートリッジはマガジンに戻り、クリーニング LED が点灯したままになり、液晶ディスプレイに「クリーニングテープコウカン」および「クリーニングヨウキュウ」のメッセージが表示されます。ソフトウェアの操作を完了してから、イジェクト・ボタンを押して古いテープを取り出し、新しいテープに交換してください。

DDS-4 カートリッジ情報

DAT カートリッジの互換性

シーゲート DDS-4 ドライブは、次のようなデータ・グレードのカートリッジ用に設計されています。

注記：本ドライブには 60 メートルの DDS-1 は使用できません。

- モデル M32000
(DDS-1、90 メートル、非圧縮時の容量 2 ギガバイト)
- モデル M34000
(DDS-2、120 メートル、非圧縮時の容量 4 ギガバイト)
- モデル STDM24G
(DDS-3、125 メートル、非圧縮時の容量 12 ギガバイト)
- モデル STDM40
(DDS-4、150 メートル、非圧縮時の容量 20 ギガバイト)

DAT カートリッジとマガジンを書き込み禁止にする

図 13 は、スライド式書き込み禁止タブを用いて DAT テープを書き込み禁止あるいは書き込み可能にする方法を示します。タブが閉じた状態にあるときにのみテープにデータを書き込むことができます。

図 13 DAT カートリッジの書き込み禁止タブ

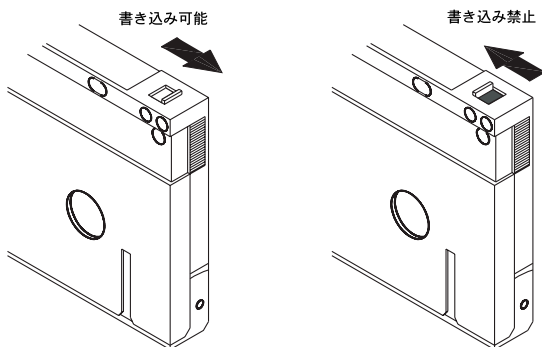
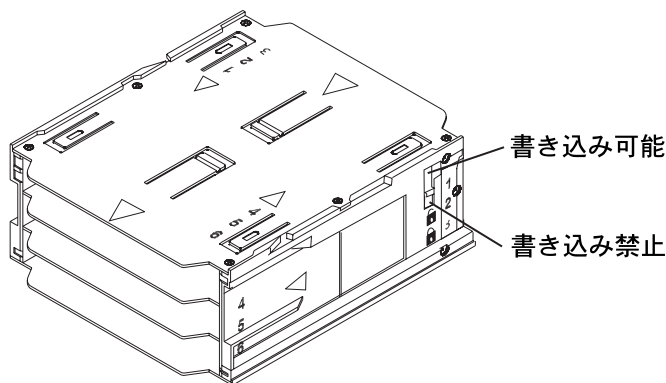


図 14 は、Scorpion 240 マガジンを書き込み禁止にする方法を示します。マガジンへの書き込みを可能にするには、スイッチを上へ上げます。マガジン内のすべてのテープへの書き込みを禁止するにはスイッチを下へ下げます。

図 14 オートローダー・マガジンの書き込み禁止スイッチ



輸送する場合

Scorpion 240 を輸送する場合は、ドライブへの損傷を避けるためにオートローダーのドアを固定する必要があります。以下の手順に従い、オートローダーのスイッチを切る前の最終ステップとしてドアを固定してください。

1. オートローダーにマガジンが入っていないことを確認します。液晶ディスプレイに「ノーマガジン」のメッセージが表示されていることを確認します。
2. 選択ボタンを 5 秒間押し続けます。液晶ディスプレイに次のメニューが表示されます。
 - > バージョン
 - ゲンゴ
 - コントラスト

3. 選択ボタンを4回押します。次に示すようにカーソル(>)が「ドアロック」に移ります。
 - コントラスト
 - オートロード
 - > ドアロック
4. 入力ボタンを押します。液晶ディスプレイに次のサブメニューが表示されます。
 - ドアロック
 - > ロック
 - アンロック
5. 選択ボタンを1回押します。カーソルが「ロック」に移ったら入力ボタンを押します。ステップ3で表示されたメニューに戻ります。
6. 5秒間お待ちください。液晶ディスプレイに「ノーマガジン」のメッセージが表示されていることを確認します。さらに5秒間待つと「ドアロック」が表示されます。
7. オートローダーのスイッチを切ります。
8. ドアを軽くたたいてロックされたことを確認します。

ドアが閉じてロックされ、オートローダーの梱包と発送準備が完了しました。ドライブの再起動時、ドアは自動的にロック解除されます。

UNIX、Novell、Windows NT オペレーティング・システムの設定

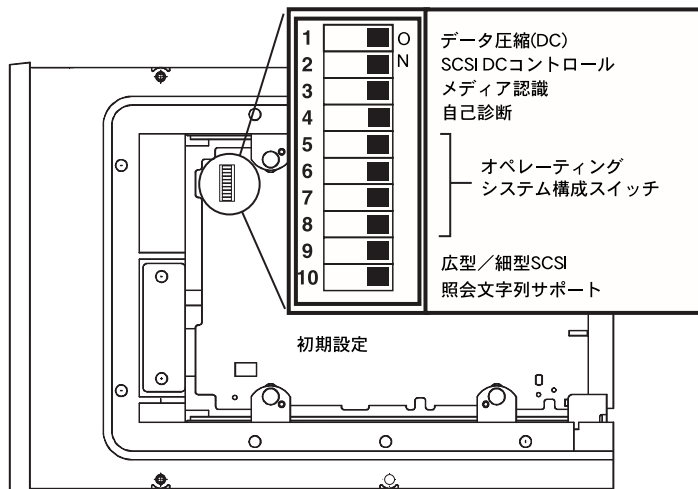
この章では、UNIX、Novell、Windows NT の各オペレーティング・システムにおける Scorpion 240 オートローダーの設定方法を説明します。

オペレーティング・システム設定 DIP スイッチ

図 15 は、内蔵ドライブの下側にあるオペレーティング・システム設定 DIP スイッチ（スイッチ 5～8）の場所を示します。

注記：上記以外のオペレーティング・システムで使用する場合には、これらのスイッチはデフォルト設定のままにしておきます。

図 15
Scorpion 240 の下側にあるオペレーティング・システム設定 DIP スイッチ



Windows NT 環境の設定

Windows NT 4.0 で Microsoft 製の 4mmDAT.SYS ドライバをお使いの方は、スイッチ 10 (照会文字列スイッチ) を OFF に設定する必要があります。Seagate 製の STDAT4.SYS ドライバをお使いの方は、スイッチ 10 はデフォルト設定の ON のままで構いません。使用するドライバに関わらず、オペレーティング・システム設定スイッチは 4 個すべてをデフォルト設定の ON のままにしておきます。

Novell 環境の設定

次表に、各種の Novell オペレーティング・システムとドライバ用の DIP スイッチ設定を示します。これらの設定については、次の項で詳しく説明します。

オペレーティング・システム/テープドライバ・ソフトウェア	スイッチ 5	スイッチ 6	スイッチ 7	スイッチ 8
Novell 4.11 で TAPEDAI ドライバまたは 11/3/99 以前の NWTAPE.CDM ドライバを使ったネイティブ・バックアップ applet を利用	OFF	ON	ON	OFF
Novell 4.11 で 11/3/99 以降の NWTAPE ドライバを使ったネイティブ・バックアップ applet を利用	ON	ON	ON	ON
Novell 5.x で 11/3/99 以前の NWTAPE.CDM ドライバを使ったネイティブ・バックアップ applet を利用	OFF	ON	ON	OFF
Novell 5.x で 11/3/99 以降の NWTAPE.CDM ドライバを使ったネイティブ・バックアップ applet を利用	ON	ON	ON	ON

Novell 4.11

Novell 4.11 で Scorpion 240 を設定する方法は、使用するドライブに応じて 2 通りあります。

設定 1: 既存の Novell TAPEDAI ドライバまたは 11/3/99 以前のバージョンの NWTAPE ドライバをお使いの方は、上の表にしたがってオペレーション・システム設定 DIP スイッチのスイッチ 5 とスイッチ 8 を OFF に切り換える必要があります。デフォルト設定では、すべてのスイッチが ON になっています。

設定 2: 最新の Novell NWTAPE ドライバ (Novell のウェブサイトでお求めになれます) をお使いの方は、オペレーション・システム設定 DIP スイッチをデフォルト設定のまま (すべてのスイッチが ON) にしておきます。管理者のワークステーションで、新しい NWTAPE ドライバを TAPEDAI ドライバと同じディレクトリ (通常はシステム・ディレクトリ) に移動します。TAPEDAI を呼び出す `autoexec.ncf` などの .ncf ファイルをすべて変更して、TAPEDAI ではなく NWTAPE を呼び出すようにします。TAPEDAI ドライバは、問題が生じたときに使う可能性があるため、削除しないでください。

Novell 5.x

Novell 5.x で Scorpion 240 を設定する方法は、使用するドライブに応じて 2 通りあります。

設定 1: オリジナルの Novell NWTAPE ドライバまたは 11/3/99 以前のバージョンの NWTAPE ドライバをお使いの方は、上の表にしたがってオペレーション・システム設定 DIP スイッチのスイッチ 5 とスイッチ 8 を OFF に切り換える必要があります。デフォルト設定では、すべてのスイッチが ON になっています。

設定 2: 最新の Novell NWTAPE ドライバ (Novell のウェブサイトでお求めになれます) をお使いの方は、オペレーション・システム設定 DIP スイッチをデフォルト設定のまま (すべてのスイッチが ON) にしておきます。新しい NWTAPE ドライバをインストールする前に、まず古い NWTAPE ドラ

イバ（通常はシステム・ディレクトリにあります）の名前を変更します。次に、新しいバージョンの **NWTAPE** を同じディレクトリにコピーします。古いドライバは、問題が生じたときに使う可能性があるため、削除しないでください。

DEC UNIX 環境の設定

DIP スイッチの設定

DEC UNIX 環境で Scorpion 240 を使うには、オペレーティング・システム DIP スイッチを以下のように設定します。

	スイッチ 5	スイッチ 6	スイッチ 7	スイッチ 8
設定	OFF	ON	ON	ON

Digital UNIX (バージョン 4.0 およびそれ以降)

UNIX オペレーティング・システムのバージョン 4.0 では、DEC により CAM SCSI ドライバの新しい設定方法が導入されました。**/etc/ddr.dbase** ファイルを以下のように変更します。

1. ファイルに目を通して、DEC TLZ07 DAT ドライブ用のデータベース・エントリを特定します。
2. 見つけたエントリをコピーして、ファイルのシンタックスを維持しながらファイルに貼り付けます。
3. 新しく貼り付けたエントリを以下のように変更します。

SCSIDEVICE

```
#
Type = tape
Name = "SEAGATE" "DAT"
#
PARAMETERS:
    TypeSubClass          = rdat
    TagQueueDepth         = 0
    MaxTransferSize       = 0x0ffffff # (16MB - 1)
    ReadyTimeSeconds     = 60          # seconds
```

DENSITY:

```
#
DensityNumber = 0,3,4,5,6,7
DensityCode = default
CompressionCode = 0x0
Buffered = 0x1
```

DENSITY:

```
#
DensityNumber = 1,2
DensityCode = default
```



```
CompressionCode = 0x1
Buffered = 0x1
```

4. データベース・ファイルを保存します。
5. コマンド **ddr_config -c** を実行します。これにより、デフォルトの入力ファイル **ddr.dbase** で、新しいデバイス・データベースがビルドされます。この新しいデバイス・データベースは直ちに有効になるため、**kernel** をリビルドする必要はありません。

Digital UNIX (バージョン 4.0 より以前)

cam_data.c ファイルを変更して、システムを設定します。このファイルは、システム設定に応じて **/usr/sys/data** または **/sys/data** のどちらかにあります。**cam_data.c** ファイルは以下のように変更します。

1. ファイルに目を通して、**TLZ07 - RDAT** ドライブ用のデータベース・エントリを特定します。
2. 見つけたエントリをコピーして、**C** ソースのシンタックスを維持しながらファイルに貼り付けます。
3. 新しく貼り付けたエントリを以下のように変更します。

```
/* Seagate DAT Drive Returning "SEAGATE DAT" Inquiry */
{"SEAGATE DAT", 14, DEV_TLZ07,
 (ALL_DTYPE_SEQUENTIAL << DTYPE_SHFT) | SZ_RDAT_CLASS,
 (struct pt_info *)ccmn_null_sizes, SZ_NO_BLK, (DEC_MAX_REC - 1),
 &tlz07_dens, NO_MODE_TAB, SZ_NO_FLAGS,
 NO_OPT_CMDS, SZ_READY_DEF, SZ_NO_QUEUE,
 DD_REQSNS_VAL | DD_INQ_VAL, 36, 64
},
```

4. **doconfig** スクリプトを使って **kernel** をリビルドしてから、システムを再起動します。

Sun UNIX 環境の設定

DIP スイッチの設定

Sun UNIX 環境で Scorpion 240 を使うには、オペレーティング・システム DIP スイッチを以下のように設定します。

	スイッチ 5	スイッチ 6	スイッチ 7	スイッチ 8
設定	ON	OFF	ON	ON

Sun OS 4.1.x

SunOS 4.1.x で Scorpion 240 を使用するよう設定するには、以下の手順にしたがって **stdef.h** ファイルと **st_conf.c** ファイル（ディレクトリ /usr/sys/scsi/ターゲット）を変更してから、kernel をリビルドします。

1. **stdef.h** ファイルに、以下の例のようなシーゲート製ドライブを指定する定義文を追加します。

```
#define ST_TYPE_SEAGATE_DAT <value>
```

この文は、ファイル中の最後の **ST_TYPE_** 定義文の後に追加します。<value>には、次の未使用の 16 進数が入ります。この値は、システムでサポートされているデバイスのリリースと数によって決まります。例えば、既存のデバイスの最後の値が **0x2d** の場合は、**0x2e** を使います。

2. **st_conf.c** ファイルのデバイス定義リストの最後に次の行を追加します。

```
/*Seagate DAT drive support */
{
    "SEAGATE DAT", 7, "SEAGATE", ST_TYPE_SEAGATE_DAT, 10240,
    (ST_VARIABLE|ST_BSF|ST_BSR|ST_LONG_ERASE|ST_KNOWS_EOD),
    5000, 5000,
    {0x0, 0x8c, 0x8c, 0x8c},
    {0, 0, 0, 0}
}
```

3. **config** コマンドを使って **kernel** をリビルドし、新しいデバイスの定義を含めます。詳細については、**config man** ページを参照してください。

Solaris 2.x

1. Solaris 2.x で Scorpion 240 を使用するよう設定するには、**/kernel/drv** ディレクトリにある **st.conf** ファイルに次の行を追加します。

```
tape-config-list=  
    "SEAGATE DAT    06240-XXX", "Seagate DAT Drive", "SEAGATE_DAT";  
SEAGATE_DAT = 1,0x34,0,0xd639,4,0x00,0x8C,0x8C,0x8C,3;
```

注記：上記の照会文字列には、DAT と 06240 の間に 4 個分のスペースが必要です。

2. **st.conf** ファイルを変更し終わったら、**boot -r** コマンドを使ってシステムを再起動して **kernel** を再設定する必要があります。

SGI 環境の設定

DIP スイッチの設定

SGI UNIX 環境で Scorpion 240 を使うには、DIP スイッチが以下のように設定されていることを確認します。

	スイッチ 5	スイッチ 6	スイッチ 7	スイッチ 8
設定	ON	ON	ON	ON

注記：テープドライブのサポートにおける Irix 5.x と 6.x の主な相違点は、Irix バージョン 6.2 でソフトウェアを介したデータ圧縮切り換えが導入されたことです。Irix 5.x では、ドライブは常に、ドライブ下部にあるスイッチ 6 によって指定される圧縮設定に応じて動作します（オフ=圧縮使用可能（デフォルト設定）、オン=圧縮使用不可）。

Irix V5.x

Irix 5.x 環境で Scorpion 240 を使うよう設定するには、`/var/sysgen/master.d/scsi` ファイルを以下のように変更する必要があります。

1. `/var/sysgen/master.d/scsi` ファイルに次のエントリを追加します。

```
{DATTAPE,TPDAT,7,12,"SEAGATE","DAT    06240"/*DAT*/,0,0,{0,0,0,0},
MTCAN_BSF|MTCAN_BSR|MTCAN_APPEND|MTCAN_SETMK|MTCAN_PART|MTCAN_PREV|
MTCAN_SYNC|MTCAN_SPEOD|MTCAN_CHKRDY|MTCAN_VAR|MTCAN_SETSZ|
MTCAN_SILI|MTCAN_SEEK|MTCAN_CHTYPEANY,
/* minimum delay on i/o is 12 minutes, to allow the Drives
* full error recovery sequence to be performed. */
40, 12*60, 12*60, 12*60, 512, 512*512 },
```

注記：上記の文字列には、DAT と 06240 の間に 4 個分のスペースが必要です。

2. `autoconfig` コマンドを使って `kernel` をリビルドします (詳細については `autoconfig man` ページ参照)。`kernel` をリビルドし終わったら、もう一度システムを再起動して変更を有効にする必要があります。

注記：Irix 5.3 以降では、変更が検出され、次にシステムを起動したときに `kernel` は自動的にリビルドされます。

Irix V6.x～V6.5

Irix 6.x～6.5 環境で Scorpion 240 を使うよう設定するには、`/var/sysgen/master.d/scsi` と `/dev/MAKEDEV.d/TPS_base` の各ファイルを以下のように変更する必要があります。これらのファイルを変更し終わったら、`kernel` をリビルドする必要があります。

1. IRIX のバージョンに応じて、以下のエントリのいずれかを `/var/sysgen/master.d/scsi` ファイルに追加します。

IRIX V6.x～V6.4 :

```
{ DATTAPE, TPDAT, 7, 12, "SEAGATE", "DAT    06240" /*DAT*/, 0, 0, {0},
/* This drive uses mode select page 0xf for compression control;
 * most of the other drives supporting compression use page 0x10 */
MTCAN_BSF|MTCAN_BSR|MTCAN_APPEND|MTCAN_SETMK|MTCAN_PART|MTCAN_PREV|
MTCAN_SYNC|MTCAN_SPEOD|MTCAN_CHKRDY|MTCAN_VAR|MTCAN_SETSZ|
MTCAN_SILI|MTCAN_SEEK|MTCAN_CHTYPEANY|MTCAN_COMPRESS,
/* minimum delay on i/o is 12 minutes, to allow the Drives
 * full error recovery sequence to be performed. */
40, 12*60, 12*60, 12*60, 512, 512*512, 0, (u_char *)0 },
```

IRIX V6.5 :

```
{ DATTAPE, TPDAT, 7, 12, "SEAGATE", "DAT    06240" /*DAT*/, 0, 0, {0},
/* This drive uses mode select page 0xf for compression control;
 * most of the other drives supporting compression use page 0x10 */
MTCAN_BSF|MTCAN_BSR|MTCAN_APPEND|MTCAN_SETMK|MTCAN_PART|MTCAN_PREV|
MTCAN_SYNC|MTCAN_SPEOD|MTCAN_CHKRDY|MTCAN_VAR|MTCAN_SETSZ|
MTCAN_SILI|MTCAN_SEEK|MTCAN_CHTYPEANY|MTCAN_COMPRESS,
/* minimum delay on i/o is 12 minutes, to allow the Drives
 * full error recovery sequence to be performed. */
40, 12*60, 12*60, 12*60, 3*3600, 512, 512*512,
```

```
tpsc_default_dens_count, tpsc_default_hwg_dens_names,
tpsc_default_alias_dens_names,
{0},0,0,0,
0, (u_char *)0 },
```

2. **/dev/MAKEDEV.d/TPS_base** ファイルを次のように変更します (IRIX 6.4 または 6.5 のシステムでは、この変更は必要ありません)。

DAT ドライブに関するコードエリアを特定します。このエリアは次の行で始まります。

```
*Drive?type:*DAT*
```

次に、サポートされている他のデバイスに関する同様のエントリの前または後に、次のテキストを挿入します。

```
*Device:*DAT*06240*) # DAT drive with compression
mdev=`expr $mdev + 8`;
mknod ${prf}$1c c ${C_TPS} $mdev;
i ;
```

3. システムを再起動します。Irix 6.x では、変更が検出され、起動時に **kernel** は自動的にリビルドされます。

また、**autoconfig** コマンド (詳細については **autoconfig man** ページ参照) を使って手動で **kernel** をリビルドしてから、もう一度システムを再起動して変更を有効にすることもできます。

SGI プラットフォームでの設置に関するトラブルシューティング

ドライブ照会文字列のチェック

ドライブの照会文字列を確認します。確認には、**mt** コマンドを使います。以下のコマンド行を使うと、**SCSI** バス 1、ID 4 のドライブから照会文字列とその他のステータス・データを検索できます。

```
mt -f /dev/rmt/tps1d4 status
```

システム交換に関する問題

他のシステムから **cpio** アーカイブを復元しようとしているときに次のエラーが発生した場合には、上記のセクション 7.1 の設置手順で誤りがあった可能性があります。

```
Byte swapped Data - re-try with correct device
```

このエラーが発生した場合には、`/var/sysgen/master.d/scsi` ファイルに加えた変更が正しいかどうかを確認します。

ハードウェア圧縮の切り換え

Irix 6.x では、様々なデバイス・ドライバの使用を通じた、ハードウェア圧縮のソフトウェア切り換えがサポートされています。デバイス名に“**c**”を含むドライバで、圧縮が使用可能になります。最新の **Irix 6.x** パッチセットをインストールすることにより、データ圧縮に関する問題を解消できる場合があります。

HP-UX 環境の設定

DIP スイッチの設定

HP UNIX 環境で Scorpion 240 を使うには、オペレーティング・システム設定 DIP スイッチを以下のように設定します。

	スイッチ 5	スイッチ 6	スイッチ 7	スイッチ 8
設定	ON	ON	OFF	ON

HP-UX バージョン 10.2 と 11

HP-UX システムの設定は、以下の手順で行います。

1. root としてログインします。
2. SAM ユーティリティを起動します。
3. 「Peripheral Devices」 オプションを選びます。
4. 「Tape Drives」を選びます。
5. 「Tape Device Manager」 ウィンドウの「Actions」メニューで「Add」を選びます。
6. 「Add a Tape Drive」 ウィンドウに表示される指示を読んでから、「OK」をクリックします。
7. SAM によって、新しいテープドライブを使用するのに必要なドライバが、お使いの HP-UX kernel に含まれていないことが検出される場合があります。その場合には、「Device Driver Check」 ウィンドウに表示されるメッセージを読み、適切なオプションを選びます。「Build a new kernel and shut down the system immediately」というオプションを選んだ場合には、SAM は新しい kernel を作成し、自動的にシステムを再起動します。システムが起動されると、必要なドライバがロードされ、テープドライブを使用できるようになります。
8. テープドライブを接続するためにシステムをシャットダウンしなければならなかった場合には、SAM を再起動して、上記の手順 3~6 を繰り返します。

9. 新しいテープドライブを選びます。
10. 「Actions」メニューから「Create Device Files」を選びます。
11. 「OK」をクリックしてから、SAM を終了します。

IBM AIX 環境の設定

DIP スイッチの設定

IBM AIX 環境で Scorpion 240 を使うには、オペレーティング・システム設定 DIP スイッチを以下のように設定します。

	スイッチ 5	スイッチ 6	スイッチ 7	スイッチ 8
設定	ON	OFF	ON	OFF

AIX バージョン 3.2 以降

AIX バージョン 3.2 以降では、SMIT の「Other SCSI Tape Drive」オプションを使って Scorpion 240 を設定できます。

注記：この方法を使うには、テープドライブが使用する SCSI ID が必要になります。

SMIT ユーティリティを使って AIX を設定するには、以下の手順を行います。

1. 「smit tape」と入力して、「Tape Drive」メニューで SMIT に入ります。
2. 「Add a tape drive」を選びます。
3. 追加するテープドライブのタイプを選びます。「Other SCSI Tape Drive」オプションを使います。
4. 利用できるリストから親 SCSI アダプタを選びます。
5. 「Add a tape Drive」入力フィールドが表示されます。ドライブの性能と機能を最適化するために、一部のスタンダード・オプションを変更する必要があります。

- 「Connection Address」にテープドライブの「Target」と「LUN」を設定します（「LUN」には常に0を使用）。リストの最初の数字が「Target」、2番目の数字が「LUN」です。例えば、ドライブがID 5の場合は、5,0を選びます。
 - 固定「Blocksize」を「1024」に設定します。
 - 「Density 1」を「140」に設定します。
 - 「Maximum delay for the Read/Write command」を「900」に設定します。
6. <RETURN>キーを押します。ドライブがシステム・データベースにインストールされ、適切なデバイスが作成されます。
 7. SMIT を終了します。

AIX におけるデータ圧縮のコントロール

SMIT を起動したときには、新しいテープドライブ用のデバイス・ファイルが作成されているはずですが、典型的なファイル名は以下の通りです。

```
/dev/rmt0 /dev/rmt0.1 /dev/rmt0.2 /dev/rmt0.3  
/dev/rmt0.4/dev/rmt0.5 /dev/rmt0.6 /dev/rmt0.7
```

設定プロセスの手順 5 で指定した設定情報を入力し、デバイス rmt0、rmt0.1、rmt0.2、rmt0.3 を使うと、ドライブは圧縮モードで書き込みが行われます。デバイス rmt0.4、rmt0.5、rmt0.6、rmt0.7 を使うと、ドライブは圧縮使用不可で書き込みが行われます。

SCO UNIX の設定

SCO UNIX 環境で Scorpion 240 を使うには、オペレーティング・システム設定 DIP スイッチを以下のように設定します。

	スイッチ 5	スイッチ 6	スイッチ 7	スイッチ 8
MAKDEV ユーティ リティを使った SCO ODT と Open Server の設定	OFF	ON	ON	OFF
SCO UnixWare 7.x	ON	ON	ON	ON

LINUX の設定

LINUX 環境で Scorpion 240 を使うには、オペレーティング・システム設定 DIP スイッチが以下のようにすべて ON に設定されていることを確認します。

	スイッチ 5	スイッチ 6	スイッチ 7	スイッチ 8
設定	ON	ON	ON	ON

ドライブ仕様の要約

項目	仕様(カセット 6 本入りマガジン)
性能仕様	
テープ長/タイプ 90 m MP 120 m MP+ 125 m MP++ 150 m MP+++	(2:1 のデータ圧縮に基づく) 24.0 ギガバイト (4.0 ギガバイト/カセット) 48.0 ギガバイト (8.0 ギガバイト/カセット) 144.0 ギガバイト (24.0 ギガバイト/カセット) 240.0 ギガバイト (40.0 ギガバイト/カセット)
記録密度(DDS-4)	122,000 bpi
トラック密度(DDS-4)	147.34 トラック/mm
エラー修復	書き込み後読み取り、リードソロモン ECC、 (C3 - 3 レベル)
修復不可能な記録エラー	10^{15} データ片あたり < 1
ヘッド構成	リードヘッド 2 個、ライトヘッド 2 個
記録フォーマット	DDS-1、DDS-2、DDS-3、DDS-4
カートリッジの寸法	2.9 in. x 2.1 in. x 0.4 in. (74 mm x 53 mm x 100 mm)
転送レート(持続)	2.75 メガバイト/秒、非圧縮時 5.5 メガバイト/秒、圧縮時
同期転送レート(バースト)	80 メガバイト/秒 最大(LVD) 40 メガバイト/秒 最大(シングルエンド)
検索速度	通常速度の 400 倍
平均アクセス時間 90 m テープ 120 m テープ 125 m テープ 150 m テープ	(カセット1本の場合) <30 秒 <40 秒 <40 秒 <40 秒
ロード時間	≤ 15 秒
カセット交換時間	≤ 8.5 秒
ドラム回転速度	10,000 RPM

環境仕様		
温度(動作時) (非動作時)	+41 ^o ~+113 ^o F ¹ (+5 ^o C~+45 ^o C) -40 ^o ~+149 ^o F ² (-40 ^o C~+65 ^o C)	
温度勾配	2 ^o C/分(結露なし)	
相対湿度(動作時) (非動作時)	20%~80% 結露なし 0%~90% 結露なし	
湿球の最高温度	78.8 ^o F (26 ^o C)	
高度(動作時) (非動作時-電源オフ)	-100~+4,575 m -300~+15,200 m	
振動(非動作時)	1.5 g (5~500 Hz)	
振動掃引テスト	1.20 mm ピーク・ピーク(5~17 Hz) 0.73 g ピーク(17~150 Hz) 0.50 g ピーク(150~500 Hz)	
振動掃引率	8 デケード/時	
振動 ドウェルテスト(15分)	0.90 mm ピーク・ピーク(5~17 Hz) 0.55 g ピーク(17~150 Hz) 0.25 g ピーク(150~500 Hz)	
音響レベル、アイドル時(A-wt sum)	最大 47 dBA	
音響レベル、動作時 (A-wt sum)	最大 60 dBA(3 フィート離れた地点でオペレータ の身長の高さで、適切な外装内にて測定)	
衝撃(1/2 正弦波) 動作時 非動作時	10 g ピーク、11 ミリ秒 50 g ピーク、11 ミリ秒	
電源仕様		
直流電圧と公差	+12 VDC ± 10%	+5 VDC ± 7%
電流(動作/ピーク)	0.7 / 2.4 amps	1.7 / 2 amps
リップル(ピーク・ピーク)	≤ 100 mV	≤ 100 mV
ワット損(待機中)	< 11 ワット	
ワット損(動作中)	< 17 ワット	

サポート・サービス

テープ・ドライブの取り付けや使用中に問題があれば、シーゲートのテクニカル・サポートがお手伝いいたします。シーゲート・テープ製品やアプリケーションに関する一般的なご質問は、シーゲートのテープ・プリセール・サポート係までお問い合わせください。

ワールド・ワイド・サービス:

ワールド・ワイド・ウェブ:ワールド・ワイド・ウェブのシーゲート・サイト <http://www.seagate.com> で総合的なテクニカル・サポートを提供しています。

インターネット上でテープ製品やアクセサリをお求めになるには、<http://buytape.seagate.com> にアクセスしてください。

シーゲートの電子メールによるテクニカル・サポート: ご質問やご意見は、tapesupport@seagate.com まで電子メールでお寄せください。

地域サービス

シーゲートは世界各地にあるいくつかの地域センターを通じて、下記のようなテクニカル・サポートを提供しています。

- シーゲート電話テクニカルサポート: 現地の営業時間中、テクニカル・サポート・スタッフが電話による一対一のヘルプを提供いたします。お電話くださる前にシステム構成とドライブのモデル番号を書き留めておいてください。
- シーゲート・テクニカル・サポート FAX: テクニカル・サポート担当者に、ご質問やご意見を FAX でお寄せください。現地の営業時間中に FAX でご回答いたします。
- SeaFAX: プッシュホン式電話でシーゲートの自動 FAX システムにアクセスし、テクニカル・サポート情報を FAX でお受け取りください。このサービスは毎日 24 時間行っています。

- **SeaBOARD:** SeaBOARD は毎日 24 時間ご利用できるシーゲート社自動コンピュータ掲示板システムです。モデム設定は 8 ビット、パリティなし、1 ストップビット (8-N-1) です。

南北米でのサポート・サービス

電話によるテクニカル・サポート

(製品ごとの電話番号や SEAFAX 番号をご案内いたします。)

米国内のお客様: 1-800-SEAGATE

米国以外の北米、中南米のお客様: 1-405-936-1234

シーゲートテクニカル・サポート **FAX** (米国を含む北米と中南米各国): 1-405-936-1683

SeaTDD (耳の不自由な方のための電話番号、米国を含む北米と中南米各国): 1-405-936-1687

SeaBOARD (米国を含む北米と中南米各国): 1-405-936-1630

プリセール・サポート: 1-800-626-6637

ヨーロッパでのサポート・サービス

ヨーロッパ各国のお客様は、下表の各国のサポートおよび

SeaFAX のフリーダイヤル番号をご利用ください。ヨーロッパ各国のシーゲート・テクニカル・サポート **FAX** 番号は共通で、31-20-653-3513 です。

国名	電話/SeaFAX
オーストリア	0 800-20 12 90
ベルギー	0 800-74 876
デンマーク	80 88 12 66
フランス	0 800-90 90 52
ドイツ	0 800-182 6831 (SeaBOARD : 49-89-1409331 も利用 可能)
アイルランド	1 800-55 21 22
イタリア	800-790695
オランダ	0 800-732 4283
ノルウェー	800-113 91
ポーランド	00 800-311 12 38
スペイン	900-98 31 24
スウェーデン	0 207 90 073
スイス	0 800-83 84 11
トルコ	00 800-31 92 91 40
イギリス	0 800-783 5177

この表にお客様の国名がない場合、アムステルダムのヨーロッパ電話センター**31-20-316-7222**まで、月曜から金曜の午前**8時半**から午後**5時**(ヨーロッパ中央時間)に、または**FAX 31-20-653-3513**までご連絡ください。

アフリカ、中東諸国でのサポート・サービス

アフリカ、中東諸国におけるサポート・サービスは、アムステルダムのヨーロッパ電話センター**31-20-316-7222**まで、月曜から金曜の午前**8時半**から午後**5時**(ヨーロッパ中央時間)に、または**FAX 31-20-653-3513**までご連絡ください。

アジア、西太平洋地区でのサポート・サービス

アジア、西太平洋地区におけるプリセールやテクニカル・サポートは、下表の各国のフリーダイヤル番号をご利用ください。これらのフリーダイヤルは、月曜から金曜の午前 6 時から午前 10 時 45 分と正午から午後 6 時(オーストラリア東部時間)の間ご利用いただけます。上の表にお客様の国名がない場合、直通番号のどちらかをご利用ください。

電話センター	フリーダイヤル番号	直通番号	FAX 番号
オーストラリア	1800-14-7201	+61-2-9725-3366	+61-2-9725-4052
香港	800-90-0474	—	+852-2368 7173
インドネシア	001-803-1-003-2165	—	—
日本	—	—	+81-3-5462-2979
マレーシア	1-800-80-2335	—	—
ニュージーランド	0800-443988	—	—
シンガポール	800-1101-150	+65-488-7584	+65-488-7528
台湾	—	+886-2-2514-2237	+886-2-2715-2923
タイ	001-800-11-0032165	—	—

Free Manuals Download Website

<http://myh66.com>

<http://usermanuals.us>

<http://www.somanuals.com>

<http://www.4manuals.cc>

<http://www.manual-lib.com>

<http://www.404manual.com>

<http://www.luxmanual.com>

<http://aubethermostatmanual.com>

Golf course search by state

<http://golfingnear.com>

Email search by domain

<http://emailbydomain.com>

Auto manuals search

<http://auto.somanuals.com>

TV manuals search

<http://tv.somanuals.com>