

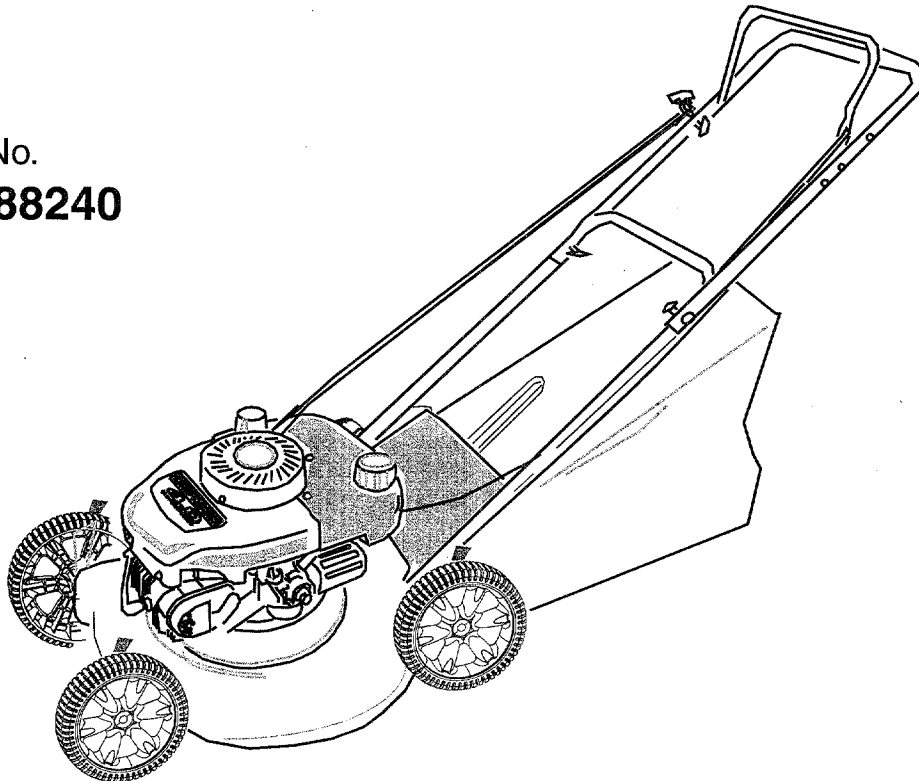
Owner's Manual



19" Mulching/Rear Discharge

PUSH LAWN MOWER

Model No.
247.388240



CAUTION: Before using this product, read this manual and follow all safety rules and operating instructions.

- Safety
- Assembly
- Operation
- Service
- Maintenance
- Español

Sears, Roebuck and Co., Hoffman Estates, IL 60179, U.S.A.

Visit our Sears website: www.sears.com/craftsman

Printed in U.S.A.

770-10185B
(3/99)

TABLE OF CONTENTS

Content	Page	Content	Page
Warranty Information.....	2	Service & Adjustment	15
Safe Operation Practices	3	Storage	17
Slope Gauge	6	Trouble-Shooting	19
Assembly	7	Parts List	20
Operation	9	Espanól	26
Maintenance	12		

WARRANTY INFORMATION

Two-Year Warranty on Craftsman Lawn Mower

For two years from the date of purchase, when this Craftsman lawn mower is maintained, lubricated, and tuned up according to the instructions in the owner's manual, Sears will repair, free of charge, any defects in material or workmanship. If this lawn mower is used for commercial or rental purposes, this warranty applies for only 90 days from the date of purchase.

This warranty does not cover:

1. Expendable items which become worn during normal use, such as rotary mower blades, blade adapters, belts, air cleaners and spark plug.
2. Repairs necessary because of operator abuse or negligence, including bent crankshafts and the failure to maintain equipment according to the instructions contained in the owner's manual.

WARRANTY SERVICE IS AVAILABLE BY RETURNING THE CRAFTSMAN LAWN MOWER TO THE NEAREST SEARS SERVICE CENTER IN THE UNITED STATES. THIS WARRANTY APPLIES ONLY WHILE THIS PRODUCT IS IN USE IN THE UNITED STATES.

This warranty gives you specific legal rights, and you may also have other rights which vary from state to state.
Sears, Roebuck and Co., D/817WA, Hoffman Estates, IL 60179

PRODUCT SPECIFICATIONS

Horsepower:	4.0
Engine Oil	21 oz. SAE 30 oil
Fuel Capacity:	1.5 quarts
Spark Plug	J19LM Gap .030 inches

Please record model number, serial number, and date of purchase of the lawn mower here for future reference. You will find this information on the model plate located on the mower cutting deck .

Model Number

Serial Number.....

Date of Purchase

SAFE OPERATION PRACTICES



This symbol points out important safety instructions which, if not followed, could endanger the personal safety and/or property of yourself and others. Read and follow all instructions in this manual before attempting to operate your lawn mower. Failure to comply with these instructions may result in personal injury. When you see this symbol—**heed its warning.**



DANGER: Your lawn mower was built to be operated **according to the rules for safe operation in this manual.** As with any type of power equipment, carelessness or error on the part of the operator can result in serious injury. **If you violate any of these rules, you may cause serious injury to yourself or others.**



This unit is equipped with an internal combustion engine and should not be used on or near any unimproved forest-covered, brush-covered or grass-covered land unless the engine's exhaust system is equipped with a spark arrester meeting applicable local or state laws (if any). If a spark arrester is used, it should be maintained in effective working order by the operator.

In the State of California the above is required by law (Section 4442 of the California Public Resources Code). Other states may have similar laws. Federal laws apply on federal lands. A spark arrester for the muffler is available through your nearest Sears Authorized Service Center (See the REPAIR PARTS section of this manual.)



WARNING: The engine exhaust from this product contains chemicals known to the State of California to cause cancer, birth defects or other reproductive harm.

GENERAL OPERATION

- Read this owner's guide carefully in its entirety before attempting to assemble this machine. Read, understand, and follow all instructions on the machine and in the manual(s) before operation. Be completely familiar with the controls and the proper use of this machine before operating it. Keep this manual in a safe place for future and regular reference, and for ordering replacement parts.
- Your rotary mower is a precision piece of power equipment, not a plaything. Therefore, exercise extreme caution at all times. Your unit has been designed to perform one job: to mow grass. Do not use it for any other purpose.
- Never allow children under 14 years old to operate a power mower. Children 14 years old and over should only operate mower under close parental supervision. Only responsible individuals who are familiar with these rules of safe operation should be allowed to use your mower.
- Keep the area of operation clear of all persons, particularly small children and pets. Stop engine when they are in the vicinity of your mower to help prevent blade contact or thrown object injury. Although the area of operation should be completely cleared of foreign objects, an object may have been overlooked and could be accidentally thrown by the mower in any direction and cause serious personal injury to the operator or any others allowed in the area.
- Thoroughly inspect the area where the equipment is to be used. Remove all stones, sticks, wire, bones, toys and other foreign objects which could be picked up and thrown by the mower in any direction and cause serious personal injury to the operator or any others allowed in the area. Plan your mowing pattern to avoid discharge of material toward roads, sidewalks, bystanders and the like. To help avoid a thrown object's injury, keep children, bystanders and helpers at least 75 feet from the mower while it is in operation.
- Always wear safety glasses or safety goggles during operation or while performing an adjustment or repair, to protect eyes from foreign objects that may be thrown from the machine in any direction.
- Wear sturdy, rough-soled work shoes and close-fitting slacks and shirts. Shirts and pants that cover the arms and legs and steel-toed shoes are recommended. Do not wear loose fitting clothes or jewelry. They can be caught in moving parts. Never operate a unit in bare feet, sandals, slippery or light weight (e.g. canvas) shoes.
- Do not put hands or feet near or under rotating parts. Keep clear of discharge opening at all times as the rotating blade can cause injury.
- Many injuries occur as a result of the mower being pulled over the foot during a fall. Do not hang on to the mower if you are falling; release the handle immediately.
- Never pull the mower toward you while you are walking. If you must back the mower away from a

wall or obstruction first look down and behind, and then follow these steps:

- a. Step back from the mower to fully extend your arms.
 - b. Be sure you are well balanced with sure footing.
 - c. Pull the mower back slowly, no more than half way toward you.
 - d. Repeat these steps as needed.
- Do not operate the mower while under the influence of alcohol or drugs.
 - Do not engage the self-propelled mechanism on units so equipped while starting engine.
 - The blade control handle is a safety device. Never attempt to bypass its operation. Doing so makes the safety device inoperative and may result in personal injury through contact with the rotating blade. The blade control handle must operate easily in both directions and automatically return to the disengaged position when released.
 - Never operate the mower in wet grass. Always be sure of your footing. A slip and fall can cause serious personal injury. Keep a firm hold on the handle and walk, never run. If you feel you are losing your footing, **RELEASE THE BLADE CONTROL HANDLE IMMEDIATELY** and the blade will stop rotating within three seconds.
 - Mow only in daylight or good artificial light.
 - Stop the blade when crossing gravel drives, walks or roads.
 - If the equipment should start to vibrate abnormally, stop the engine and check immediately for the cause. Vibration is generally a warning of trouble.
 - Shut the engine off and wait until the blade comes to a complete stop before removing the grass catcher or unclogging the chute. The cutting blade continues to rotate for a few seconds after the engine is shut off. Never place any part of the body in the blade area until you are sure the blade has stopped rotating.
 - Never operate mower without proper guards, grass catcher, plates or other safety protective devices in place.
 - Muffler and engine become hot and can cause a burn. Do not touch.
 - Do not adjust the throttle control with the engine running.
 - Only use accessories approved for this machine by the manufacturer. Read, understand, and follow all instructions provided with the approved accessory.
 - If situations occur which are not covered in this manual, use care and good judgment. Contact your dealer for assistance.

Slope Operation

For your safety, use the slope gauge included as part of this manual to measure slopes before operating this unit on a slope or hilly area. If the slope is greater than 15 degrees

as shown on the slope gauge (page 6), do not operate this unit on that area or serious injury could result.

DO:

- Mow across the face of slopes; never up and down. Exercise extreme caution when changing direction on slopes.
- Watch for holes, ruts, hidden objects, or bumps. Tall grass can hide obstacles.
- Always be sure of your footing. A slip and fall can cause serious personal injury. If you feel you are losing your balance release the blade control handle immediately and the blade will stop in less than 3 seconds.
- **ON MODELS WITH CASTER WHEELS:** Lock both front wheels so they do not pivot while mowing on the face of slopes. To turn the mower, depress the handle and raise the front wheels slightly.

DO NOT:

- Do not mow near drop-offs, ditches or embankments. The operator could lose footing or balance.
- Do not mow slopes greater than 15 degrees as shown on the slope gauge.
- Do not mow on wet grass. Reduced footing could cause slipping.
- **ON MOWERS WITH CASTER WHEELS:** Do Not mow on slopes with casters unlocked since the mower has a tendency to drift down hill.

Children

Tragic accidents can occur if the operator is not alert to the presence of children. Children are often attracted to the mower and the mowing activity. Never assume that children will remain where you last saw them.

- Keep children out of the mowing area and under the watchful care of a responsible adult other than the operator.
- Be alert and turn mower off if a child enters the area.
- Before and while moving backwards, look behind and down for small children or other objects.
- Never allow children under age 14 to operate the mower. Children 14 years of age and above should read and understand the operation instructions and safety rules in this manual.
- Use extreme care when approaching blind corners, shrubs, trees, or other objects that may obscure your vision of a child or hazard.

Service

- Use extreme care in handling gasoline and other fuels. They are extremely flammable and the vapors are explosive.
- Use only an approved gasoline container.
- Never remove gas cap or add fuel while the engine is running. Allow engine to cool at least two minutes before refueling.

- Replace gasoline cap securely and wipe off any spilled gasoline before starting the engine as it may cause a fire or explosion.
- Extinguish all cigarettes, cigars, pipes and other sources of ignition.
- Never refuel machine indoors because flammable vapors will accumulate in the area.
- Never store the machine or fuel container inside where there is an open flame or spark such as a gas water heater, space heater, or furnace.
- Never run an engine inside a closed area.
- To reduce fire hazard, keep mower free of grass, leaves, or other debris build-up. Clean up oil or fuel spillage. Allow mower to cool at least 5 minutes before storing.
- Before cleaning, repairing, or inspecting, make certain the blade and all moving parts have stopped. Disconnect the spark plug wire, and keep the wire away from the spark plug to prevent accidental starting.
- Check the blade and engine mounting bolts at frequent intervals for proper tightness. Also, visually inspect blade for damage (e.g., bent, cracked or worn). Replace with blade which meets original equipment specifications listed in this manual.
- Keep all nuts, bolts, and screws tight to be sure the equipment is in safe working condition.
- Never tamper with safety devices. Check their proper operation regularly.
- After striking a foreign object, stop the engine, remove the wire from the spark plug, and thoroughly inspect the mower for any damage. Repair the damage before starting and operating the mower.
- Never attempt to make a wheel or cutting height adjustment while the engine is running.
- Grass catcher components are subject to wear, damage and deterioration, which could expose moving parts or allow objects to be thrown. For safety protection, frequently check components and replace with manufacturer's recommended parts, when necessary.
- Mower blades are sharp and can cut. Wrap the blade(s) or wear gloves, and use extra caution when servicing them.
- Do not change the engine governor setting or overspeed the engine. Excessive engine speeds are dangerous.

YOUR RESPONSIBILITY



Restrict the use of this power machine to persons who read, understand and follow the warnings and instructions in this manual and on the machine.

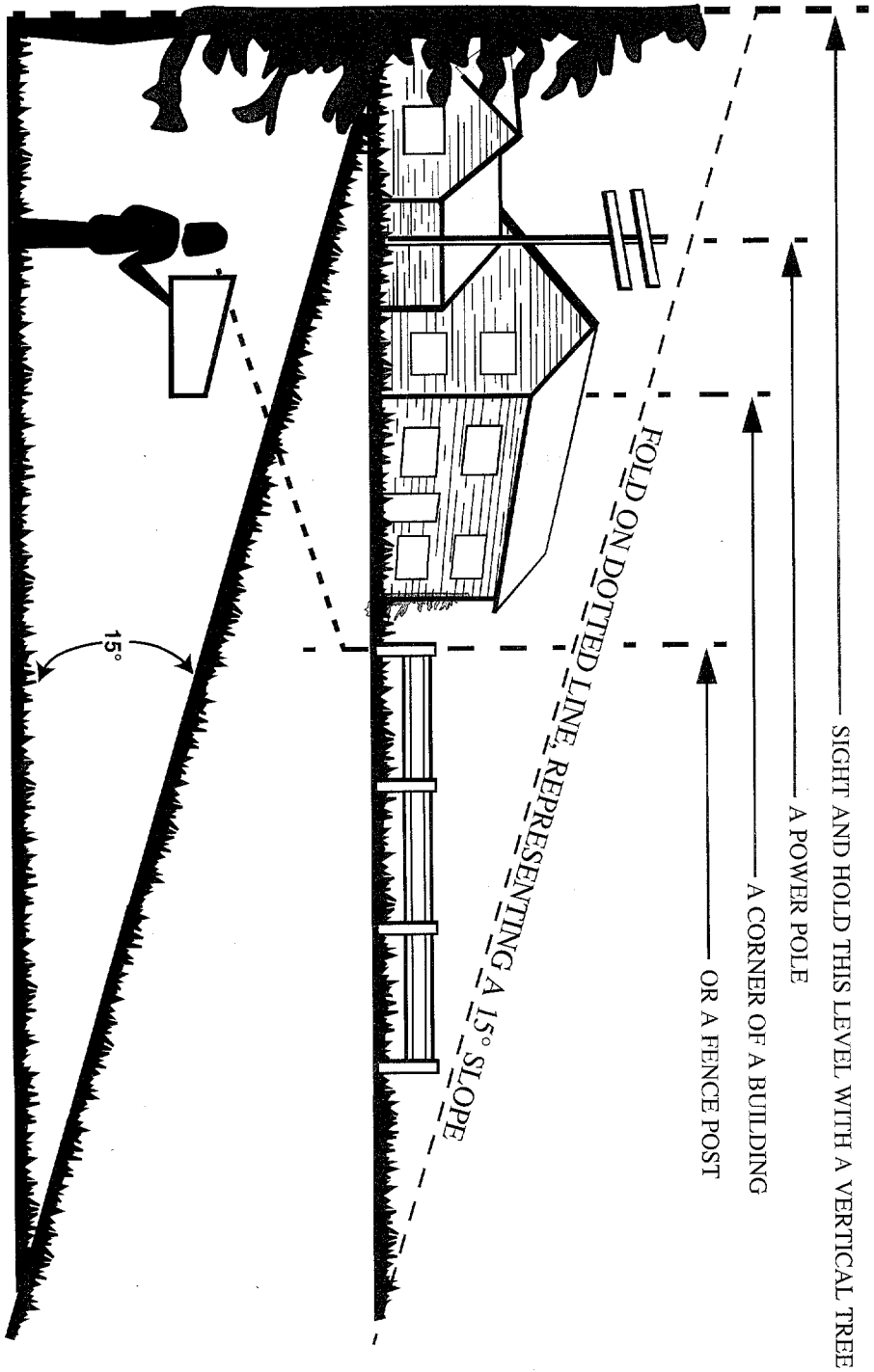
Following are representations of the safety labels on your lawn mower. Maintain safety while operating the mower. Please have the part number ready when re-ordering safety labels.



SAVE THESE INSTRUCTIONS FOR FUTURE REFERENCE.

SLOPE GAUGE

USE THIS PAGE AS A GUIDE TO DETERMINE SLOPES WHERE YOU MAY NOT OPERATE SAFELY:



WARNING

Do not mow on inclines with a slope in excess of 15 degrees (a rise of approximately 2-1/2 feet every 10 feet). A riding mower could overturn and cause serious injury. If operating a walk-behind mower on such a slope, it is extremely difficult to maintain your footing and you could slip, resulting in serious injury.

Operate RIDING mowers up and down slopes, never across the face of slopes.

Operate WALK-BEHIND mowers across the face of slopes, never up and down slopes.

ASSEMBLY

Removing Unit From Carton

- Remove staples, break glue on top flaps, or cut tape at carton end and peel along top flap to open carton.
- Remove owner's manual from the carton.
- Remove any loose parts, if included with unit.
- Cut along dotted lines and lay carton down flat.
- Remove packing material. Roll unit out of carton. Check carton thoroughly for loose parts.

Note: Make sure not to crimp the cable while removing loose parts or the unit from the carton.

IMPORTANT: This unit is shipped **without gasoline or oil in the engine**. Be certain to service engine with gasoline and oil before operating your mower.

NOTE: Reference to right or left hand side of the mower and/or front or behind the mower is observed from the operating position.

Loose Parts

- a. Owner's Manual
- b. A Bottle of Engine Oil
- c. Grass Catcher
- d. Side-Discharge Chute

Disconnecting Spark Plug

- Before setting up your lawn mower, disconnect the spark plug wire from the spark plug, and ground it against the post on the engine. See Figure 1.

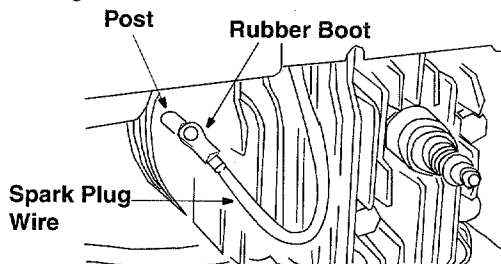


Figure 1

Assembling Handle

- Raise lower handle in direction A shown in Figure 2. It should snap into place.

Note: Make sure to route the cable inside the lower handle. Also do not crimp the cable while lifting the handle up.

For shipping purposes, the hairpin clip is placed in the outer hole of the weld pin on the lower handle.

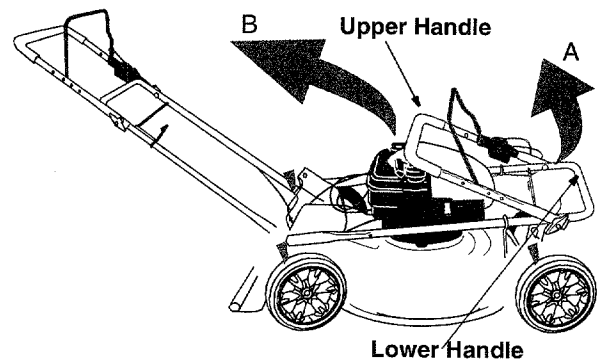


Figure 2

- Remove the hairpin clip from the outer hole of the weld pin. See Figure 3.

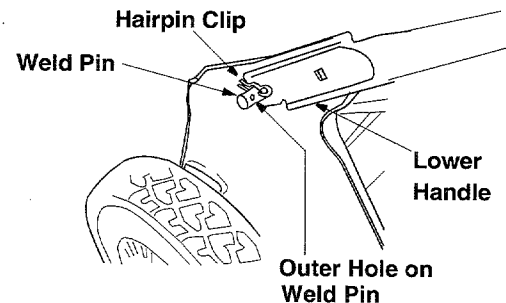


Figure 3

- Insert the hairpin clip into the inner hole in the weld pin. See Figure 3. Repeat on other side.
- Raise the upper handle in the direction B shown in Figure 2. Tighten the wing nuts which are already on the handle.
- Route the control cable to the inside of the lower handle.
- Attach control cable to the lower handle with the two cable ties provided on the lower handle. Place posts on cable ties into the holes on the lower handle as shown below. Pull the cable ties tight and cut off extra. See Figure 4.

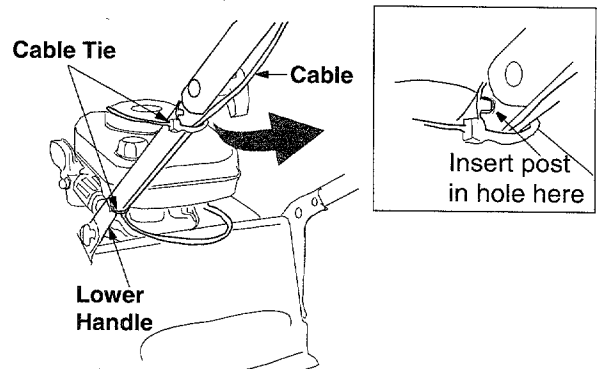


Figure 4

Mulching Plug

Your lawn mower was shipped with the mulching plug already installed on the unit. If you want to mulch the lawn, leave it in place. For bagging purposes, or for using the side-discharge chute, remove the mulching plug and attach the side-discharge chute or the grass catcher to the mower as the case may be. Follow directions below to remove the mulching plug.

- Lift the chute door on the mower. Remove the mulching plug as shown in Figure 5.

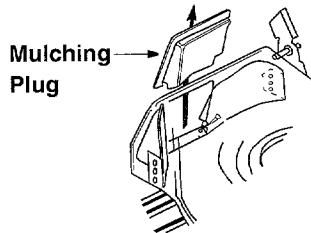


Figure 5

Attaching Grass Catcher to Mower

- Holding the grass bag firmly, place the bag on the mower as shown in Figure 6.

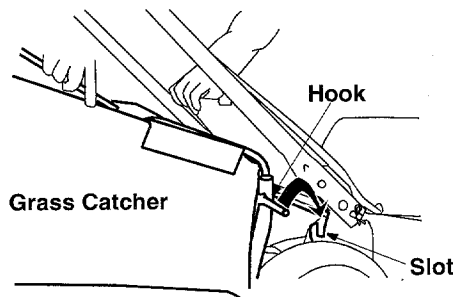


Figure 6

- Place hooks, located on two sides of the grass catcher frame, in the slots on the handle brackets. See Figure 6. Release the chute door.



Warning: Never operate the mower unless the grass catcher frame is firmly seated on the chute door pivot rod, and the rear discharge door rests firmly on top of the grass catcher.

Attaching Side Discharge Chute

- **To attach side discharge chute:** Lift the discharge door and place the ends of the chute rod into the slot on each handle bracket assembly. Release the rear discharge door. See Figure 7.
- **To remove side discharge chute:** Lift the rear discharge door of the mower. Lift the side discharge chute up and outwards and pull it out of the slots on the handle bracket assemblies. Release the rear discharge door. See Figure 7.

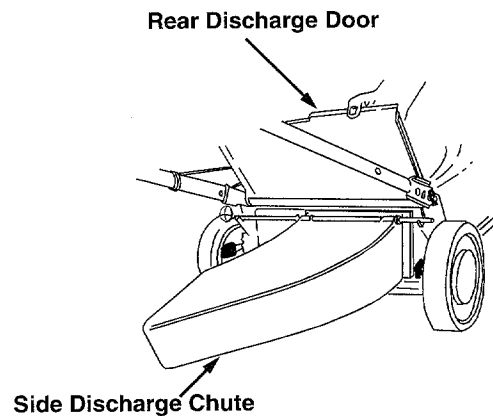


Figure 7

OPERATION

Know Your Lawn Mower

Read this owner's manual and safety rules before operating your lawn mower. Compare the illustrations in Figure 8 with your lawn mower to familiarize yourself with the location of various controls and adjustments. Save this manual for future reference.



WARNING: The operation of any lawn mower can result in foreign objects being thrown into the operator's eyes and causing severe eye damage. **Always wear safety glasses** while operating the mower, or while performing any adjustments or repairs on it.

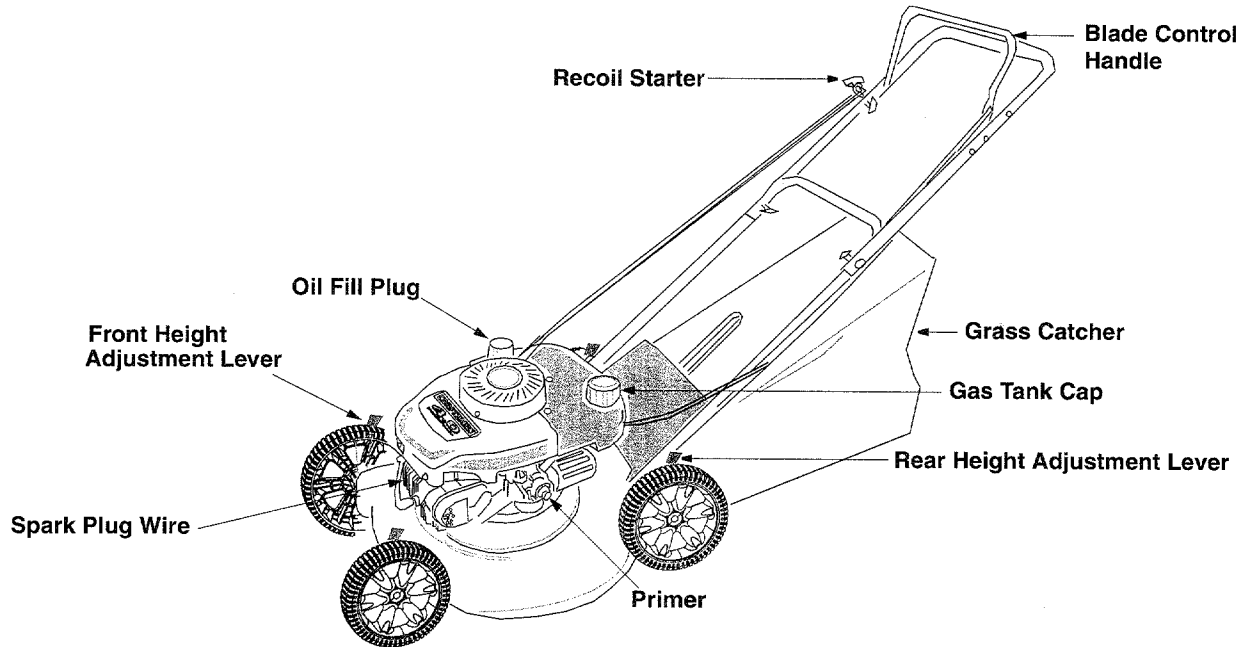


Figure 8

Recoil Starter

The recoil starter is attached to the handle. Stand behind the unit and pull the recoil starter to start the unit.

Primer

The primer is used to pump gas into the carburetor. Use it to start a cold engine, but do not use it to restart a warm engine after short shutdown.

Blade Control Handle

The blade control handle is located on the upper handle of the mower. The blade control handle must be depressed in order to operate the unit. Release blade control handle to stop engine and blade.



WARNING: This blade control mechanism is a safety device. **Never attempt to bypass** its operations.

Height Adjustment Lever

These levers are located on each wheel and are used to adjust the cutting height. All four levers have to be at the same relative position to ensure uniform cut.

Engine Speed

Your mower's engine speed has been set at the factory. Do not attempt to increase engine speed or it may result in personal injury. If you think that the engine is running too fast or too slow, take your unit to a Sears service center near you.

Meets CPSC Blade Safety Standards

Craftsman Walk-Behind Lawn Mowers conform to the safety standards of the American National Standards Institute and the U.S. Consumer Product Safety Commission.

Stopping Engine

- Release blade control handle to stop the engine and the blade.
- Disconnect spark plug wire and ground it to the post on the engine.



WARNING: Before using your lawn mower, again refer to the **safety rules** on pages 3-5 of this manual. **Always be careful.**

Gas And Oil Fill-Up

Engine Oil

Only use high quality detergent oil rated with API service classification SF, SG or SH. Select the oil's viscosity grade according to your expected operating temperature. Follow the chart below.



Oil Viscosity Grade Chart

- Use SAE30 oil; *do not use* 10W40 oil.
- Fill oil sump and check the oil level as follows:
 - a. Position the mower on level ground.
 - b. Clean area around oil fill plug.
 - c. Remove oil fill plug and dipstick.
 - d. Wipe dipstick clean, insert it into oil fill hole and tighten securely.
 - e. Remove dipstick and check oil level. If the oil is not up to FULL mark on the dipstick, pour recommended oil through the oil fill and check the level again.
- Install oil fill plug and dipstick, tighten securely.

NOTE: Although multi-viscosity oils (5W30, 10W30, etc.) improve starting in cold weather, these multiviscosity oils will result in increased oil consumption when used above 32°F. Check the oil level more frequently to avoid possible engine damage from running low on oil.

Gasoline



WARNING: Never fill fuel tank indoors, or when engine is running or hot. Do not smoke when filling the fuel tank.

IMPORTANT: Never mix engine oil with gasoline.

- Clean area around gas tank cap. For location, see Figure 8. Remove cap.
- Use a funnel to prevent spillage.
- Pour approximately 1.5 quarts of fresh, regular grade, unleaded gasoline slowly to the fuel tank.
- Fill tank to 1/2" below the bottom of the filler neck. Wipe any fuel spillage. **Do not fill** fuel tank completely. Provide space for fuel expansion.

Starting Engine

(Refer to Figure 9.)



WARNING: Be sure **no one other than the operator** is standing near the lawn mower while starting or operating.

- Attach spark plug wire to spark plug. See Figure 1. Make certain the metal cap on the end of the spark plug wire is fastened securely over the metal tip on the spark plug.



WARNING: Never run engine **indoors or in enclosed, poorly ventilated areas**. Engine exhaust contains carbon monoxide, an odorless and deadly gas.

WARNING: **Keep hands, feet, hair and loose clothing away** from any moving parts on engine and lawn mower.

- Push primer five times. **Do not prime to restart a warm engine** after a short shutdown.
- Hold blade control handle against the upper handle. Grasp recoil starter and pull rope out slowly until engine reaches the start of compression cycle (rope will pull slightly harder at this point). See Figure 9 inset. Let the rope rewind slowly.

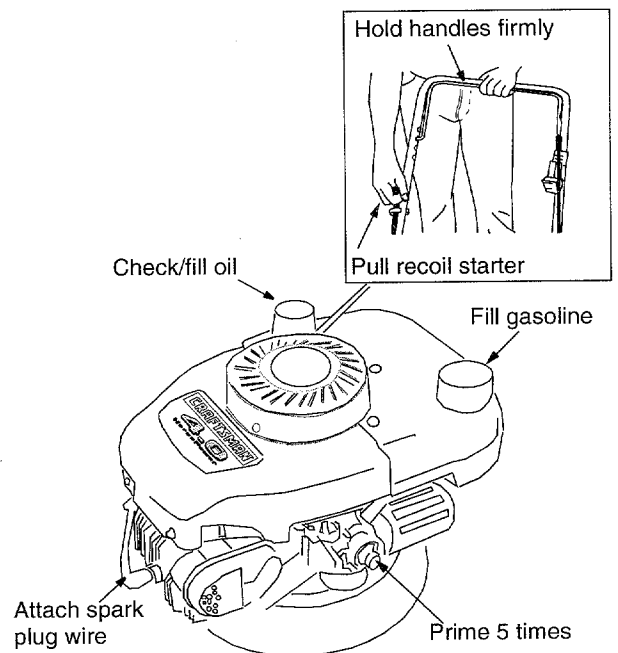


Figure 9

- Pull rope with a rapid, continuous, full arm stroke. Keeping a firm grip on the recoil starter, let the rope return to the starter slowly.

Using Your Lawn Mower

Your mower is designed to operate as a rear bagger, mulching or a side-discharge unit.

- For converting from a mulcher to a side discharge or rear bagger unit, refer to instructions on page 8. **Do not operate mower without the mulching plug, the side-discharge chute or the grass catcher properly installed and tightly secured.**
- Be sure that lawn is clear of stones, sticks, wire, or other objects which could damage lawn mower or engine. Such objects could be accidentally thrown by the mower in any direction and cause serious personal injury to the operator and others.
- *For best results, do not cut wet grass* because it tends to stick to the underside of the mower, preventing proper discharge of grass clippings, and could cause you to slip and fall. New grass, thick grass or wet grass may require a narrower cut.
- The *best mowing pattern* is one that allows the clippings to discharge towards the uncut part of the lawn. This permits recutting of the clippings to further pulverize them. When cutting high weeds, discharge towards cut portion, then recut at right angles to first direction.
- For a *healthy lawn*, always cut off one-third or less of the total length of the grass. Lawn should be cut in the fall as long as there is growth.



WARNING: If the mower strikes a foreign object, **stop the engine.** Disconnect and ground spark plug wire and thoroughly inspect mower for any damage. Repair damage before restarting the unit. Extensive vibration during operation is an indication of equipment damage.

Using Grass Catcher

You can use the grass catcher bag to collect clippings while operating the mower.

- Attach the grass catcher to the mower following instructions on page 8 of this manual.
- Operate the mower till the grass catcher bag is full, or the job has been completed whichever is earlier.
- Stop the engine completely by releasing the blade control handle. Make sure that the unit has come to a complete stop and the blade has stopped rotating. Empty the grass catcher bag as follows.
- Lift the discharge door and pull the grass bag away from the mower. See Figure 10.
- Holding the bag firmly, carry the bag away from the mower. Dispose off the clippings appropriately.

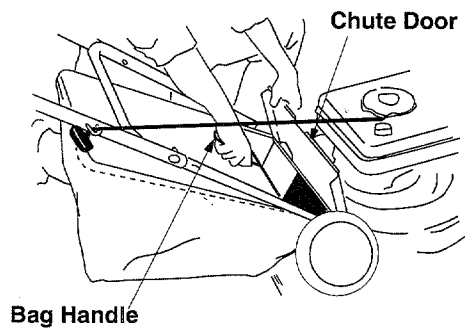


Figure 10

Height Adjustment

Refer to height adjustments section of this manual on page 16 for instruction on how to adjust the cutting height and the handle height. For best results in mowing, keep the cutting height position high until you can determine which height is best for your lawn.

MAINTENANCE

General Recommendations

- Always observe safety rules when performing any maintenance.
- The warranty on this lawn mower does not cover items that have been subjected to operator abuse or negligence. To receive full value from the warranty, operator must maintain the lawn mower as instructed in this manual.
- Changing of engine governed speed will void engine warranty.
- Some adjustments will have to be made periodically to maintain your unit properly.
- All adjustments in the Service and Adjustments section of this manual should be checked at least once each season.
- Follow the maintenance schedule given below.
- Periodically check all fasteners and make sure these are tight.



WARNING: Always stop the engine, **disconnect and ground the spark plug wire** before performing any maintenance or adjustments on the lawn mower.

- Disconnect and ground the spark plug wire.
- Drain the gasoline from the lawn mower, or place a piece of plastic under the gas cap.
- Tip the mower so that it rests on the housing. Keep the side with the air cleaner facing up. Hold it firmly.
- Scrape clean the underside of the deck with a suitable tool.
- Put the mower back on its wheels on the ground. If you had put plastic under the gas cap, make sure to remove it now.



WARNING: Never tip the mower more than 90 degrees and **do not leave the mower tipped for any length of time.** Oil can drain into the upper part of the engine causing a starting problem.

NOTE: We do not recommend using a garden hose to clean mower unless the muffler, air filter and carburetor are covered to keep water out. Water in engine can shorten engine life.

Cleaning

The underside of the mower deck should be cleaned after each use to prevent any buildup of grass clippings, leaves, dirt, or other debris. If this debris is allowed to accumulate, it will result in rust and corrosion.



WARNING: Always **stop engine, disconnect and ground spark plug wire,** before performing any adjustments or repairs on the mower engine.

Engine Maintenance

Customer Responsibilities

MAINTENANCE SCHEDULE		After each use	Every 25 hours	Every 50 hours	Every 100 hours	Once a season	Before storage	SERVICE DATES						
PRODUCT	Lubricate wheels					✓								
	Lubricate casters		✓											
	Lubricate blade control					✓								
	Clean deck	✓					✓							
	Blade care		✓				✓							
ENGINE	Change oil		✓											
	Replace air filter				✓									
	Clean engine						✓							
	Check spark plug			✓		✓								
	Check spark arrester (if any)			✓										

Engine Oil

- Only use high quality detergent oil rated with API service classification SF, SG or SH. Select the oil's viscosity grade according to your expected operating temperature. Refer to page 10 of this manual for viscosity chart.
- Stop engine and wait several minutes before checking oil level. With engine on level ground, the oil must be to FULL mark on dipstick.

To Change Engine Oil

Change oil every 25 hours of mower operation. Drain oil while engine is warm. Follow the instructions given below to change oil.

- Tip the mower with the spark plug facing up.
- Place a container under the dipstick. Pull the dipstick out of oil fill.
- Drain the oil sump empty, collecting oil in an approved container.
- Fill oil sump with 21 ounces of fresh SAE 30 oil. Refer to page 10 of this manual for oil fill-up instructions.

Air Cleaner

The air cleaner prevents damaging dirt, dust, etc., from entering the carburetor and being forced into the engine, and is important to engine life and performance. Replace air cleaner filter once a year or every 100 operating hours, more often if used in extremely dusty conditions.

To Service Air Cleaner:

- Turn air filter cover counterclockwise and remove the cover and filter from the flange. See Figure 11. Discard filter.

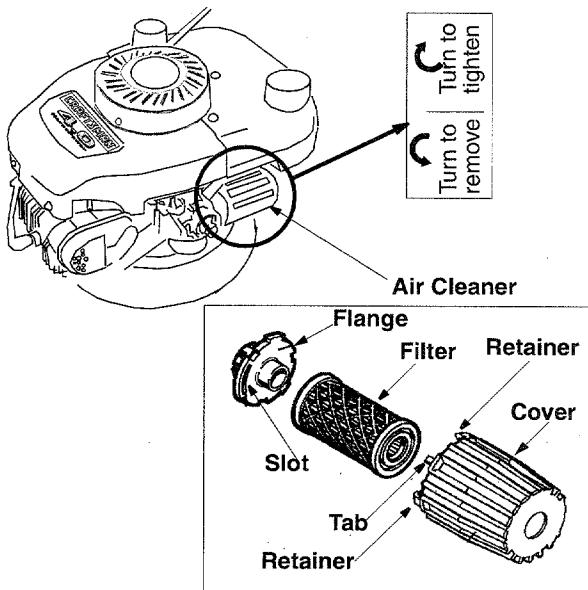


Figure 11

- Clean cover and flange thoroughly.
- Insert the new filter into the cover.
- Place the cover and the filter against flange with tab on the cover inserted into lower left corner of slot in flange. See Figure 11.
- Push cover firmly against flange and turn it clockwise as far as it will go. Make sure that the retainers are locked around the flange. See Figure 11.



WARNING: Never run the engine without air cleaner completely assembled.

Clean Engine

- Clean engine periodically. Remove dirt and debris with a cloth or brush.
- Frequently remove grass clippings, dirt and debris from cooling fins, air intake screen and levers and linkage. This will help ensure adequate cooling and correct engine speed.

NOTE: Do not clean with a forceful spray of water as water could contaminate the fuel system.

Spark Plug

- Clean spark plug and reset gap to .030" at least once a season or every 50 hours of operation. See Figure 12. Spark plug replacement is recommended at the start of each season. Refer to engine parts list for correct spark plug type.

NOTE: Do not sandblast spark plug. Spark plug should be cleaned by scraping or wire brushing and washing with a commercial solvent.

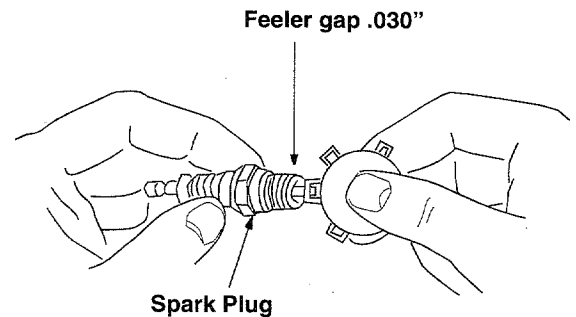


Figure 12

Muffler



WARNING: Do not operate the lawn mower **without a muffler**, or tamper with the exhaust system. Damaged mufflers or spark arresters could create a fire hazard. Temperature of muffler and nearby areas may exceed 150° F(65°C).

Blade Care

Periodically inspect the blade adapter for cracks, especially if you strike a foreign object. Replace when necessary.



WARNING: When inspecting the cutting blade, **protect hands by using heavy gloves or a rag to grasp the cutting blade.**

- Disconnect spark plug wire from spark plug.
- Turn mower on its side making sure that the air filter and the carburetor are up. Check the condition of the blade. If it needs to be serviced, refer to instructions on blade care in "Service & Adjustments" section of this manual.

Lubrication

Wheels

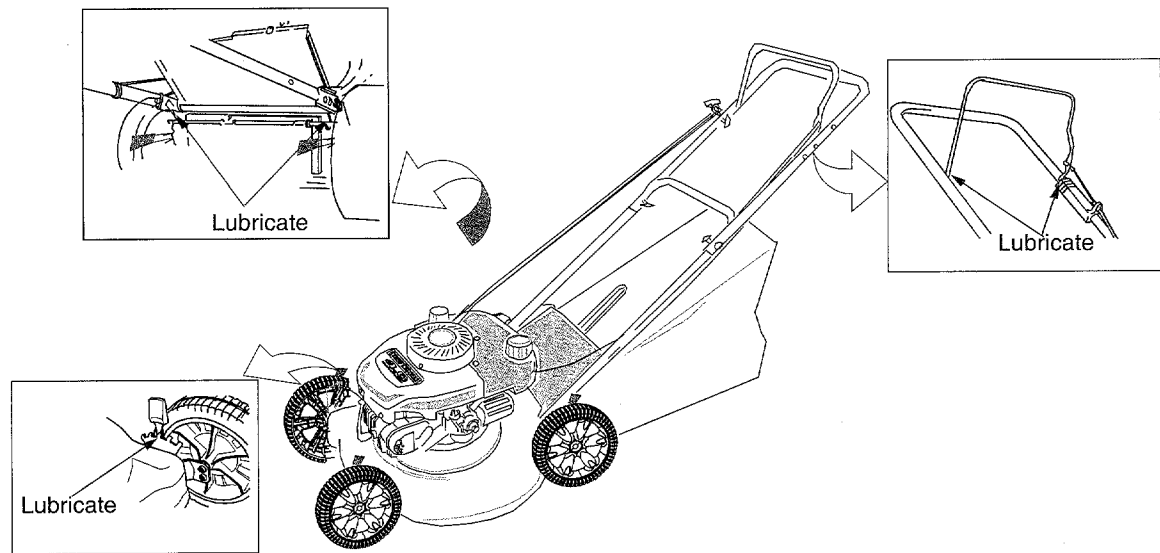
- Lubricate the wheels at least once a season with light oil or engine oil. Also, if the wheels are removed for any reason, lubricate the surface of the axle bolt and the inner surface of the wheel with light oil.

Blade Control Handle

- Lubricate the pivot points on the blade control handle and the brake cable at least once a season with light oil. The blade control handle must operate freely in both directions. For complete lubrication chart, see Figure 13.

Chute Deflector

- Lubricate the torsion spring and the pivot point on each end of the chute deflector using a light oil. This will prevent rusting and ensure that the deflector, which is a safety device, can always work properly.



NOTE: For sake of clarity, illustrations in the insets represent view from another perspective rather than from the operating position.

Figure 13: Lubrication Chart

SERVICE & ADJUSTMENTS

Servicing Blade

To Remove Blade

- Remove the bolt and blade bell support which hold the blade and adapter to the engine crankshaft. See Figure 14.
- Remove the blade and adapter from the crankshaft.

To Replace Blade:

- Before reinstalling the blade and the blade adapter to the unit, lubricate the engine crankshaft and the inner surface of the blade adapter with light oil.
- Install the blade adapter on the crankshaft with the "star" away from the engine. See Figure 14.

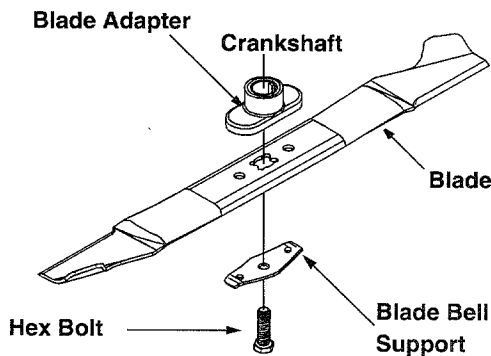


Figure 14

- Place the new blade with the side marked bottom (or with part number) facing away from the adapter.
- Place the bell support next. Make sure to align the tabs in the holes of the blade with the hole in the bell support.
- Insert the hex bolt through the blade assembly. Figure 14 shows the correct order of assembly.
- Use block of wood to hold blade while you tighten the bolt clockwise. Follow the recommended torque for the bolt which is 450-600 in.-lbs.

IMPORTANT: The bolt, used to secure the blade to the engine, is specially heat-treated. **Do not substitute.** To order replacement bolt, refer to the Repair Parts section of this manual.



WARNING: To ensure safe operation of your unit, **all nuts and bolts must be checked** periodically for correct tightness.

To Sharpen Blade:

The blade can be sharpened with a file or on a grinding wheel. Do not attempt to sharpen while on the mower.

- Follow the original angle of grind as a guide. Make sure that each cutting edge receives an equal amount of grinding to prevent an unbalanced blade.

NOTE: An unbalanced blade will cause excessive vibration when rotating at high speeds, may cause damage to the mower and could break, causing personal injury.

- Test the blade by balancing it on a round shaft screwdriver or a blade balancer. See Figure 15.
- If the blade is not balanced, remove metal from the heavy side until it balances evenly.

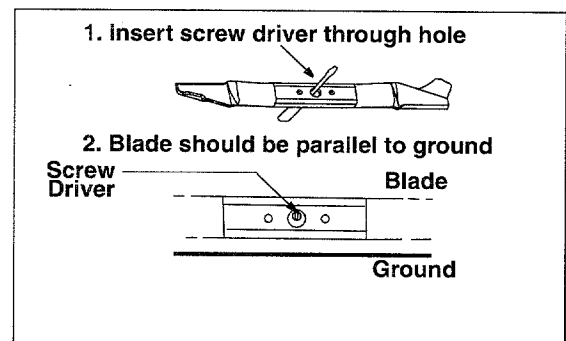


Figure 15

Engine Adjustments



WARNING: Do not make unnecessary adjustments on the engine. Factory settings are satisfactory for most conditions. If any adjustments are made to the engine while the engine is running, **keep clear of all moving parts. Be careful of heated surfaces and muffler. Keep your hands away from these parts.**

Carburetor

The carburetor has been pre-set at the factory and should not require adjustment.

- If the engine on your mower does not operate properly due to suspected carburetor problems, take your lawn mower to your nearest SEARS service center.
- Engine performance may be affected in altitudes above 4000 feet. To improve engine performance, install a high altitude adjustment kit, available at the SEARS service center.

NOTE: A dirty air cleaner will cause an engine to run rough. Be certain air cleaner is clean and attached to the carburetor.

Engine Speed



WARNING: Overspeeding engine above the factory setting can be **dangerous**. Do not attempt to increase engine speed or it may result in personal injury. Changing of engine governed speed **will void engine warranty**.

- If you believe the engine is running too fast or too slow, take your lawn mower to the nearest Sears service center.

Adjusting Handle Height

Your mower is shipped with the handle in the higher height position. To lower the handle height, proceed as follows.

- Remove the starter rope from the rope guide.
- Remove the upper handle by removing the hand knobs and carriage bolts. Lay the upper handle out of the way, being careful not to bend or kink the cable.
- Remove the hairpin clip from the weld pin on the handle bracket on each side of the lower handle. See Figure 16 inset. Press out on the legs of the lower handle. Remove lower handle from the mower.
- Turn the lower handle around so the notch on the bottom of the lower handle is facing forward as shown in Figure 16. Reassemble, placing the bottom hole on the handle over the weld pin in the handle mounting bracket.

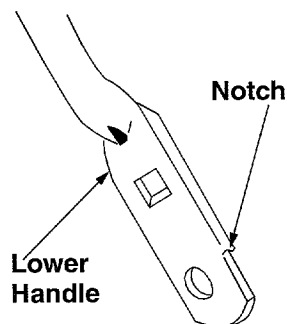


Figure 16

- Reassemble the upper handle to the lower handle.
- Place the hairpin clips in the inner holes in the weld pins and attach the starter rope.

Adjusting Cutting Height

IMPORTANT: *All wheels must be placed in the same relative position.*

- Raise the mower wheels for low cut and lower the wheels for high cut. For rough or uneven lawns, move the height adjustment lever to a higher position. This will help stop scalping of the grass.

There is an adjusting plate and thumb lever at each wheel position to adjust the cutting height. Each adjusting plate has nine height positions. Height of cut will change if you move the thumb lever from one hole to another.

- Simply depress the lever towards wheel and move the wheel and lever assembly to the desired position. See Figure 17. All wheels must be placed in the same relative position for uniform cutting height.
- For rough or uneven lawns, move the height adjustment levers to positions which will give a higher cutting height. Both front and rear levers must be placed in the same relative position.

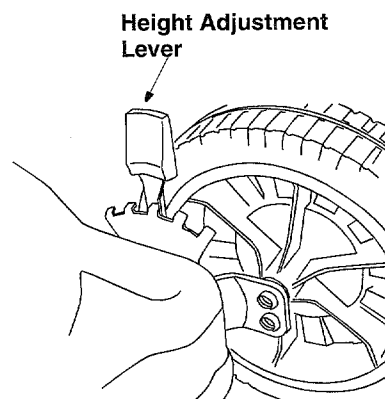


Figure 17

STORAGE

Prepare your lawn mower for storage at the end of the season or **if the unit will not be used for 30 days** or more. Store the mower in a **clean, dry area**.

Mower

- Clean underside of the mower following instructions in the Maintenance section of this manual.
- Inspect and replace/sharpen blade, if required. Refer to the Maintenance section of this manual for blade care instructions.
- Lubricate mower following the lubrication chart on page 14 of this manual.

You can fold your mower's handle for convenient storage as shown in Figure 18. Follow the steps below to fold the handle.

- Remove the starter rope from the rope guide.
- Loosen the two hand knobs on the sides of the handle, and let the upper handle fold down to the rear.
- Move the hairpin clips to the outer hole in the weld pins on the handle mounting brackets.
- Spread the sides of the lower handle, and push it forward and down.

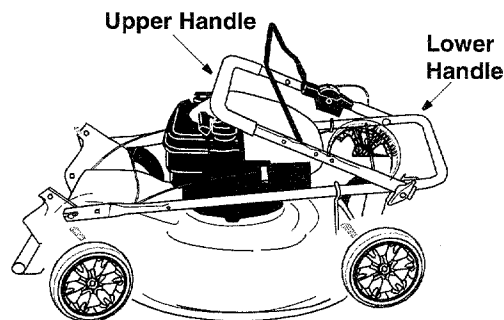


Figure 18

NOTE: When folding the handle for storage or transportation, be careful not to bend or kink the cable.

Engine

IMPORTANT: It is important to prevent gum deposits from forming in essential fuel system parts such as carburetor, fuel filter, fuel hose, or tank during storage. Also, experience indicates that alcohol blended fuels (called gasohol or using ethanol or methanol) can attract moisture which leads to separation and formation of acids during storage. Acidic gas can damage the fuel system of an engine while in storage.

Drain fuel system & carburetor



WARNING: Drain fuel into approved container outdoors **away from open flame**. Be sure engine is cool. **Do not smoke**.

- Drain the fuel tank.
- Start the engine and let it run until the fuel lines and carburetor are empty.
- Loosen the bowl drain screw **a few turns**. The bowl drain screw is located below the carburetor. See Figure 19. Do not remove the screw completely. Drain the carburetor.

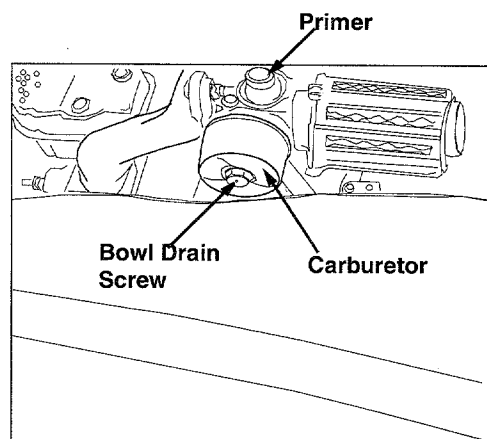


Figure 19

Note: Do not drain carburetor if using fuel stabilizer.



WARNING: Never use engine or carburetor cleaner products in the fuel tank or **permanent damage** may occur.

- Use fresh fuel next season.

Use fuel stabilizer

NOTE: Fuel stabilizer is an acceptable alternative in minimizing the formation of fuel gum deposits during storage.

- Add stabilizer to gasoline in fuel tank or storage container.
- Always follow the mix ratio found on stabilizer container.
- Run engine at least 10 minutes after adding stabilizer to allow the stabilizer to reach the carburetor.
- Do not drain the gas tank and carburetor if using fuel stabilizer. Drain all the oil from the crankcase (This should be done after the engine has been operated and is still warm) and refill the crankcase with fresh oil.

Oil cylinder bore

After you have drained the fuel tank, protect the inside of the engine as follows:

- Remove spark plug, pour approximately one ounce (30 ml) of engine oil into spark plug hole, and crank slowly to distribute oil.



WARNING: Avoid spray from spark plug hole when cranking the engine slowly.

- Replace spark plug; do not connect spark plug wire.

Change oil

- Change oil if it has not been changed in the last three months. For instructions on how to change oil refer to the Maintenance section of this manual.

Clean engine

- Clean engine and remove any grass clippings, dirt, or chaff from the exterior of the engine.
- Remove any dirt or debris from cooling fins, air intake screen, levers, and linkage.

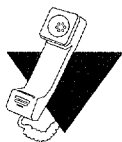
OTHER

- Do not store gasoline from one season to another.
- Replace your gasoline can if it starts to rust. Rust and/or dirt in the gasoline will cause problems. Store unit in a clean, dry area. Do not store next to corrosive materials, such as fertilizer.

NOTE: *If storing in an unventilated or metal storage shed, be certain to rustproof the equipment by coating with a light oil or silicone.*

TROUBLE-SHOOTING

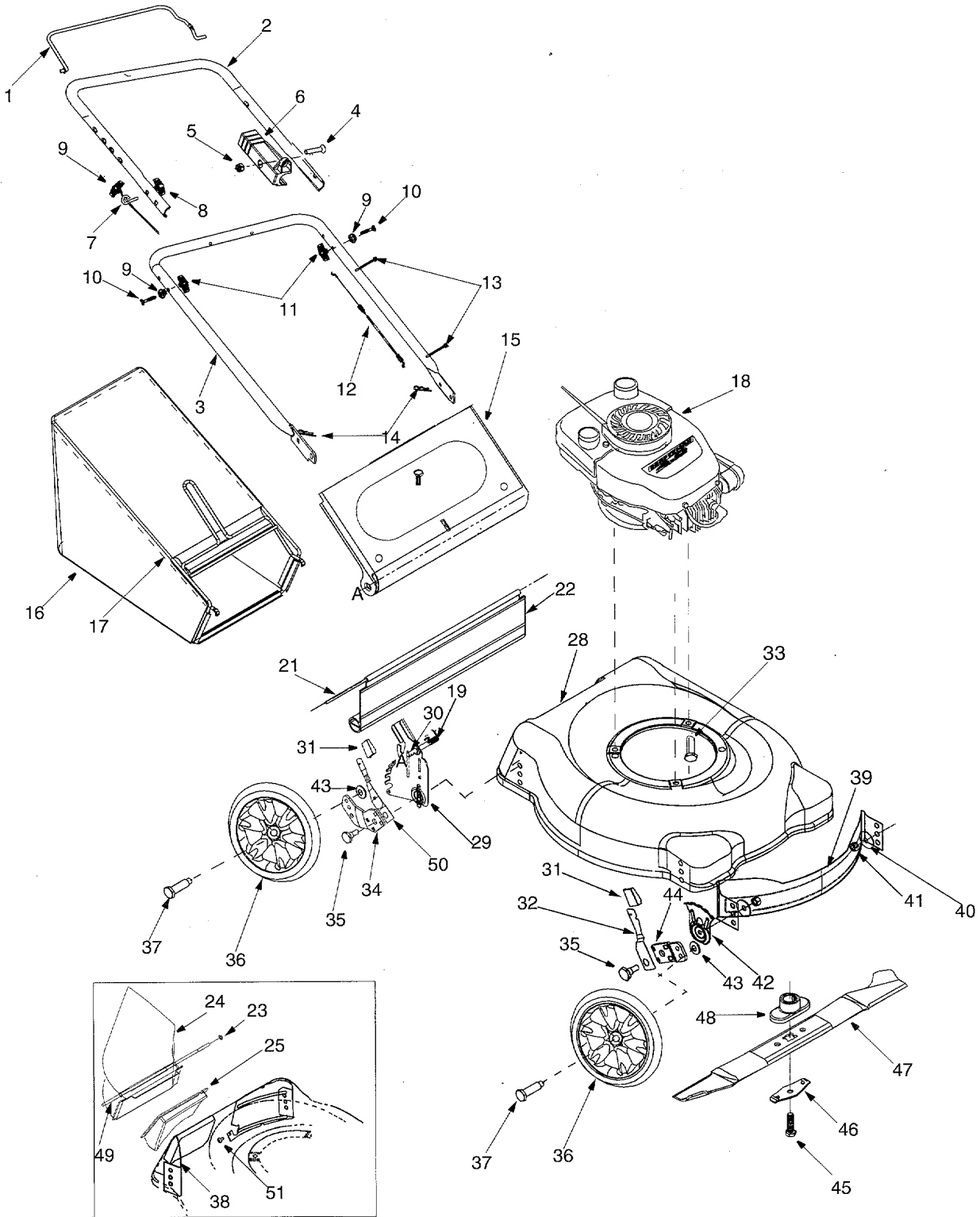
PROBLEM	POSSIBLE CAUSE	CORRECTIVE ACTION
Engine fails to start	<ol style="list-style-type: none"> 1. Blade control handle disengaged 2. Spark plug wire disconnected 3. Fuel tank empty, or stale fuel 4. Blocked fuel line 5. Faulty spark plug 	<ol style="list-style-type: none"> 1. Engage blade control handle. 2. Connect wire to spark plug. 3. Fill tank with fresh, clean fuel. 4. Clean fuel line. 5. Clean, adjust gap or replace.
Engine runs erratic	<ol style="list-style-type: none"> 1. Spark plug wire loose 2. Blocked fuel line or stale fuel 3. Vent in gas cap plugged 4. Water or dirt in fuel system 5. Dirty air cleaner 	<ol style="list-style-type: none"> 1. Connect and tighten spark plug wire. 2. Clean fuel line, fill tank with clean, fresh gasoline. 3. Clear vent. 4. Drain fuel tank. Refill with fresh fuel. 5. Clean air cleaner. Refer to Maintenance section of this manual.
Engine overheats	<ol style="list-style-type: none"> 1. Engine oil level low 2. Air flow restricted 	<ol style="list-style-type: none"> 1. Fill crankcase with proper oil. 2. Clean lawn mower engine.
Occasional skip (hesitates) at high speed	<ol style="list-style-type: none"> 1. Spark plug gap too close 	<ol style="list-style-type: none"> 1. Adjust gap to .030 inches.
Idles poorly	<ol style="list-style-type: none"> 1. Spark plug fouled, faulty, or gap too wide 2. Dirty air cleaner 	<ol style="list-style-type: none"> 1. Reset gap to .030 inches or replace spark plug. 2. Clean air cleaner following instructions on page 13.
Excessive vibration	<ol style="list-style-type: none"> 1. Cutting blade loose or unbalanced 2. Bent cutting blade 3. Bent engine crankshaft 	<ol style="list-style-type: none"> 1. Tighten blade and adapter, balance blade. 2. Replace blade. 3. Contact your SEARS Service Center.
Mower will not mulch grass	<ol style="list-style-type: none"> 1. Wet grass 2. Excessively high grass 3. Dull blade 	<ol style="list-style-type: none"> 1. Wait until later to cut. 2. Mow once at a high cutting height, then mow again at desired height. Make a narrower cutting swath (1/2) width. Do not cut off more than 1/3 of the total length. 3. Sharpen or replace blade.
Uneven cut	<ol style="list-style-type: none"> 1. Wheels not in same height position 2. Dull blade 	<ol style="list-style-type: none"> 1. Place all four wheels in same relative height position. 2. Sharpen or replace blade.



For repairs beyond the minor adjustments listed above, please contact your nearest SEARS Service Center or call 1-800-4-MY-HOME.

PARTS LIST

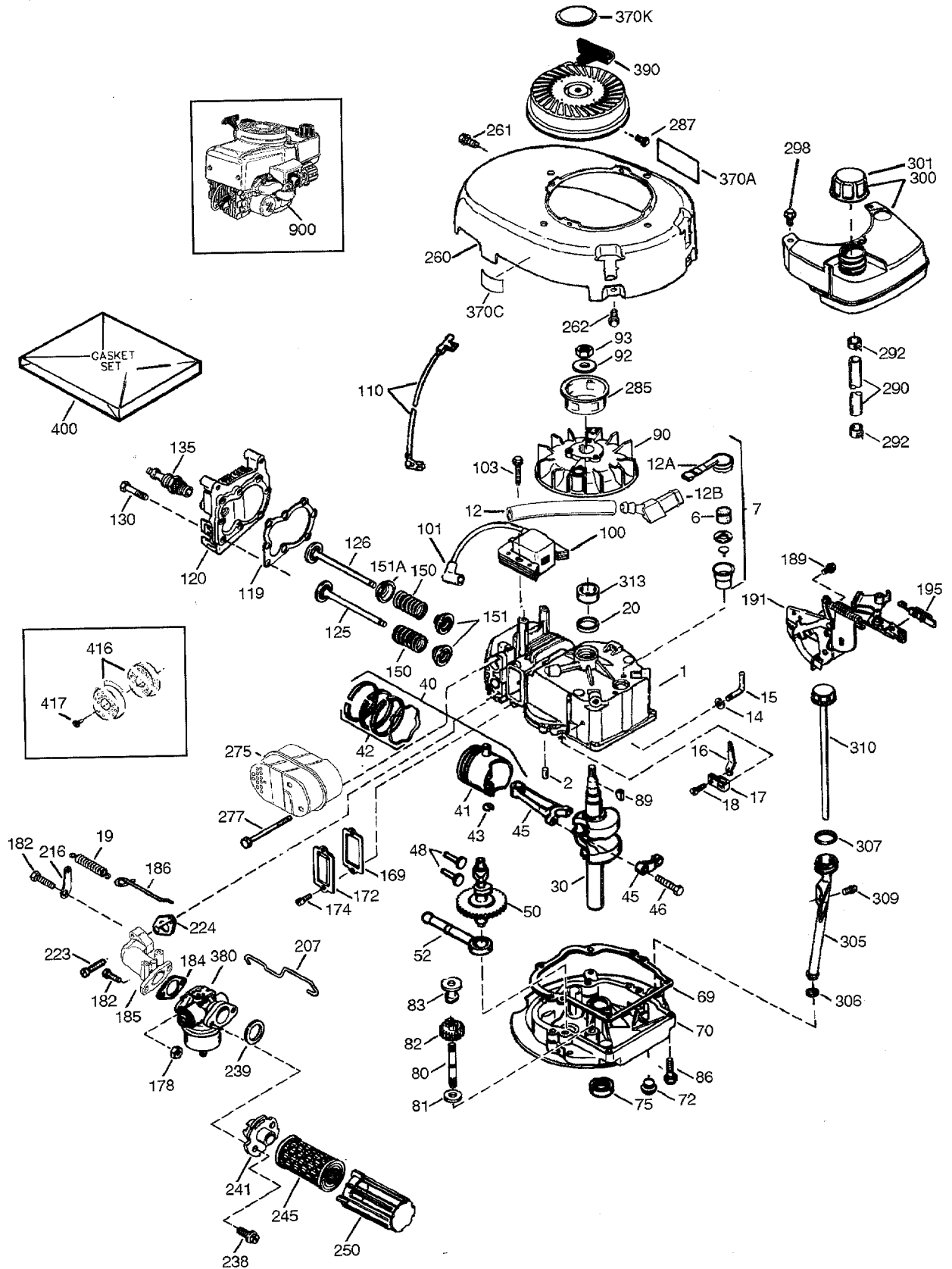
SEARS CRAFTSMAN 4.0 H.P. LAWN MOWER MODEL 247.388240



SEARS CRAFTSMAN 4.0 H.P. LAWN MOWER MODEL 247.388240

Key No.	Part No.	Description	Key No.	Part No.	Description
1.	747-0824	Blade Control Handle	28.	782-0054A-0689	Cutting Deck
2.	749-0538D-0637	Upper Handle	29.	682-0516	Height Adj. Bracket Assy. RH
3.	749-0928-0637	Lower Handle		682-0515	Height Adj. Bracket Assy. LH (not shown)
4.	710-1270	Oval C-Sunk Scr. 1/4-20 x 1.3"	30.	710-1248	Weld Pin
5.	712-0324	Hex Lock Nut 1/4-20	31.	720-0190	Height Adjustment Knob
6.	746-0883	Cable Housing	32.	732-0404	Spring Lever: Front Wheel
7.	710-1205	Eye Bolt: Rope Guide	33.	710-0654A	Sems Screw TT 3/8-16 x 1.0"
8.	720-0241	Wing Nut 5/16-18	34.	14765	Pivot Bar: 9 Position
9.	736-0451	Saddle Washer	35.	738-0507B	Shoulder Screw
10.	710-0450	Carriage Bolt 5/16-18 x 3.0"	36.	734-1841	Wheel 8 x 1.7 Aero Gray
11.	720-0279	Handle Knob 1/4-20	37.	738-0102	Shoulder Scr. 3/8-16 x 1.445"
12.	746-0737	Control Cable: 51"	38.	782-5004	Rear Baffle RH
13.	726-0240	Cable Tie	39.	782-5025	Front Baffle
14.	714-0104	Hairpin Clip	40.	736-0356	Bell Washer
15.	782-7025	Chute Door: RD	41.	712-0798	Hex Nut 3/8-16
16.	764-0447	Grass Catcher	42.	15261A	Height Adj. Plate
17.	764-0325	Grass Catcher Frame	43.	736-0105	Spring Washer
18.	—	Engine, Tecumseh model 143.994002	44.	15262B	Pivot Bar: Front Wheel
19.	732-0678	Torsion Spring, RH	45.	710-1044	Hex Bolt 3/8-24 x 1.5" Gr.8 Special
	732-0677	Torsion Spring, LH (not shown)	46.	736-0524A	Blade Bell Support
21.	732-0712	Wire: Trail Shield	47.	742-0739	Blade: Mulching
22.	731-1261	Trail Shield	48.	748-0376C	Blade Adapter
23.	726-0201	Speed Nut	49.	711-0996	SD Chute Rod
24.	731-1405	SD Chute: Kit	50.	732-0417A	Spring Lever: Rear Wheel
25.	782-5007A	Mulch Plug	51.	710-1017	Torx AB-Tap Screw 1/4-14 x .625"

**CRAFTSMAN ENGINE NO. 143.994002 FOR
CRAFTSMAN 4.0 H.P. LAWN MOWER MODEL 247.388240**



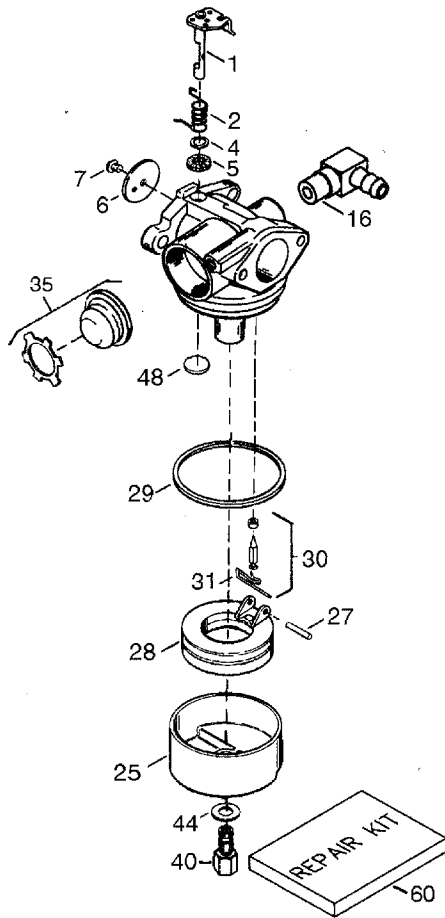
**CRAFTSMAN ENGINE NO. 143.994002 FOR
CRAFTSMAN 4.0 H.P. LAWN MOWER MODEL 247.388240**

Key No.	Part No.	Description	Key No.	Part No.	Description
1	37280	Cylinder (Incl. 2,20 & 150)	130	6021A	Screw, 5/16-18 x 1-1/2"
2	26727	Dowel Pin	135	35395	Resistor Spark Plug (RJ19LM)
6	33734	Breather Element	150	31672	Valve Spring
7	36557	Breather Ass'y. (Incl. 6 & 12A)	151	31673	Valve Spring Cap
12	36775	Breather Tube	151A	40017	Intake Valve Seal
12A	36558	Breather Cover & Tube (Incl. 12B)	169	36783	Valve Cover Gasket
12B	36694	Breather Tube Elbow	172	36784	Valve Cover
14	28277	Washer	174	30200	Screw, 10-24 x 9/16"
15	30589	Governor Rod (Incl. 14)	178	29752	Nut & Lock Washer, 1/4-28
16	34839A	Governor Lever	182	6201	Screw, 1/4-28 x 7/8"
17	31335	Governor Lever Clamp	184	26756	Carburetor - Intake Pipe Gasket
18	651018	Screw, Torx T-15, 8-32 x 19/64"	185	36785	Intake Pipe
19	36281	Extension Spring	186	32653	Governor Link
20	32600	Oil Seal	189	650839	Screw, 1/4-20 x 3/8"
30	36797	Crankshaft	191	36559A	S.E. Brake Bracket (Incl. 195)
40	35544A	Piston, Pin & Ring Set (Std.)	195	610973	Terminal
40	35545A	Piston, Pin & Ring Set (.010" OS)	207	34336	Throttle Link
40	35546	Piston, Pin & Ring Set (.020" OS)	216	33086	R.P.M. Adjusting Lever
41	35541	Piston & Pin Ass'y. (Std.) (Incl. 43)	223	650451	Screw, 1/4-20 x 1"
41	35542	Piston & Pin Ass'y. (.010" OS) (Incl. 43)	224	36786	Intake Pipe Gasket
41	35543	Piston & Pin Ass'y. (.020" OS) (Incl. 43)	238	650932	Screw, 10-32 x 49/64"
42	35547A	Ring Set (Std.)	239	34338	Air Cleaner Gasket
42	35548A	Ring Set (.010" OS)	241	35797	Air Cleaner Collar
42	35549	Ring Set (.020 OS)	245	35066	Air Cleaner Filter
43	20381	Piston Pin Retaining Ring	250	35065	Air Cleaner Cover
45	36777	Connecting Rod Ass'y. (Incl. 46)	260	36980	Blower Housing
46	32610A	Connecting Rod Bolt	261	30200	Screw, 10-24 x 9/16"
48	27241	Valve Lifter	262	650831	Screw, 1/4-20 x 1/2"
50	37032	Camshaft (NCR)	275	36790A	Muffler
52	29914	Oil Pump Ass'y.	277	650988	Screw, 1/4-20 x 2-5/16"
69	35261	Mounting Flange Gasket	285	35000A	Starter Cup
70	34311E	Mounting Flange (Incl. 72 thru 83,306)	287	650926	Screw, 8-32 x 21/64"
72	36083	Oil Drain Plug	290	29774	Fuel Line
75	27897	Oil Seal	292	26460	Fuel Line Clamp
80	30574A	Governor Shaft	298	28763	Screw, 10-32 x 35/64"
81	30590A	Washer	300	36916	Fuel Tank (Incl. 292 & 301)
82	30591	Governor Gear Ass'y. (Incl. 81)	301	36246	Fuel Cap
83	30588A	Governor Spool	305	35647	Oil Fill Tube
86	650488	Screw, 1/4-20 x 1-1/4"	306	36996	"O"-Ring
89	611004	Flywheel Key	307	35499	"O"-Ring
90	611112	Flywheel	309	650562	Screw, 10-32 x 1/2"
92	650815	Belleville Washer	310	35648	Dipstick
93	650816	Flywheel Nut	313	34080	Spacer
100	34443B	Solid State Ignition	370A	36261	Lubrication Decal
101	610118	Spark Plug Cover	370C	37199	Primer Decal
103	651007	Screw, Torx T-15, 10-24 x 15/16"	370K	36695	Starter Decal
110	37047	Ground Wire	380	640173	Carburetor (Incl. 184)
119	37028	Cylinder Head Gasket	390	590737	Rewind Starter*
120	36825	Cylinder Head	400	37029A	Gasket Set
125	37288	Exhaust Valve (Std.) (Incl. 151)	416	36085	Spark Arrestor Kit (Optional)
126	37289	Intake Valve (Std.) (Incl. 151)	417	650821	Screw, 10-32 x 1/2" (Optional)
			900	0	Replacement Engine NONE, order from 71-9990
			900	0	Replacement Short Block 750836

* This engine could have been built with 590694 starter

**CRAFTSMAN ENGINE NO. 143.994002 FOR
CRAFTSMAN 4.0 H.P. LAWN MOWER MODEL 247.388240**

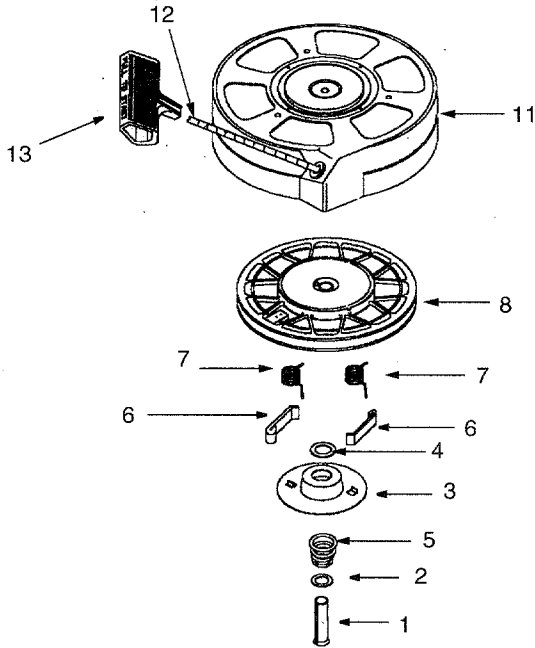
Carburetor No. 640173



Key No.	Part No.	Description
1	631615	Throttle Shaft & Lever Assembly
2	631767	Throttle Return Spring
4	631184	Dust Seal Washer (Throttle)
5	631183	Dust Seal (Throttle)
6	631616	Throttle Shutter
7	650506	Shutter Screw
16	631807	Fuel Fitting
25	631700	Float Bowl
27	631024	Float Shaft
28	632019	Float
29	631028	Float Bowl "O" Ring
30	631021	Inlet Needle, Seat & Clip (Incl. 31)
31	631022	Spring Clip
35	632047A	Primer Bulb/Retaining Ring
40	631937A	High Speed Bowl Nut
44	631334	Bowl Nut Washer
48	631027	Welch Plug, Atmospheric Vent
60	632760	Repair kit

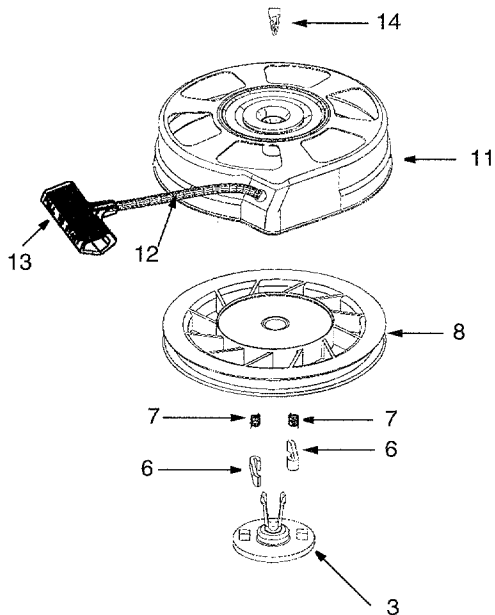
**CRAFTSMAN ENGINE NO. 143.994002 FOR
CRAFTSMAN 4.0 H.P. LAWN MOWER MODEL 247.388240**

Recoil Starter 590694



Key No.	Part No.	Description
--	590694	Recoil Starter
1	590599A	Spring Pin
2	590600	Washer
3	590696	Retainer
4	590601	Washer
5	590697	Brake Spring
6	590698	Starter Dog
7	590699	Dog Spring
8	590700	Pulley & Rewind Spring Ass'y.
11	590695	Starter Housing Ass'y. (40 degree grommet)
12	590535	Starter Rope (98" x 9/64" dia.)
13	590701	Starter Handle

Recoil Starter 590737



Key No.	Part No.	Description
--	590737	Rewind Starter
3	590740	Retainer
6	590616	Starter Dog
7	590617	Dog Spring
8	590618A	Pulley & Rewind Spring Ass'y.
11	590687A	Starter Housing Ass'y (40 Degree Grommet)
12	590535	Starter Rope (98" X 9/64")
13	590701	Starter Handle
14	590760	Spring Clip

TABLA DE CONTENIDO

Contenido	Página
Informacion de garantia	26
Practicas seguras de operacion	27
Indicador de pendiente	30
Ensamblado	31
Operacion	33
Mantenimiento	36
Servicio y ajustes	39
Almacenamiento	41
Tabla de localizacion de fallas	43

INFORMACIÓN DE GARANTIA

Garantía por dos años para la cortadora de césped Craftsman

Por dos años desde la fecha de compra siempre y cuando esta cortadora de césped sea mantenida, lubricada y puesta a punto de acuerdo con las instrucciones en el manual del propietario, Sears reparará libre de costo cualquier defecto de material o de mano de obra. Esta garantía se aplica por 90 días solamente a partir de la fecha de compra, si la cortadora de césped se usa para fines comerciales o de alquiler.

Esta garantía no cubre:

1. Artículos descartables que se desgastan durante el uso normal, tales como las cuchillas giratorias de la cortadora, adaptadores de las cuchillas, correas, filtros de aire y la bujía.
2. Reparaciones necesarias a causa de abuso o negligencia del operador, incluyendo cigüeñales doblados y la falla en mantener el equipo de acuerdo con las instrucciones contenidas en el manual del propietario.

EL SERVICIO DE GARANTIA ESTA DISPONIBLE MEDIANTE LA DEVOLUCION DE LA CORTADORA DE CESPED CRAFTSMAN AL CENTRO DE SERVICIO DE SEARS MAS CERCANO EN LOS ESTADOS UNIDOS. ESTA GARANTIA SE APLICA MIENTRAS ESTE PRODUCTO ESTE EN USO EN LOS ESTADOS UNIDOS SOLAMENTE

Esta garantía le otorga derechos legales específicos y usted puede también tener otros derechos que varían de estado a estado.

Sears, Roebuck and Co. D/817WA, Hoffman Estates, IL 60179

Especificaciones Del Producto	
Caballos de fuerza:	4.0 H.P.
Aceite de motor:	21 oz. de aceite SAE 30
Capacidad de combustible:	1.5 cuartos sin plomo
Bujía:	J-19LM
Separación de la bujía:	.030 pulgadas

<p>Por favor registre el número de modelo, número de serie y fecha de compra aquí para referencia futura. Usted encontrará esta información en la placa de modelo ubicada en la plataforma de corte de su cortadora.</p>	
Número de Modelo
Número de Serie
Fecha de Compra

PRACTICAS SEGURAS DE OPERACION



Este símbolo señala instrucciones importantes de seguridad las cuales, si no se observan, podrían poner en peligro la seguridad personal y/o su propiedad y la de otras personas. Lea y observe todas las instrucciones de este manual antes de intentar operar su cortadora de césped. La falla en cumplir con estas instrucciones puede resultar en lesiones personales. Cuando vea este símbolo- **obedezca su advertencia.**



PELIGRO:

Su cortadora de césped fue fabricada para operarse de acuerdo con **las reglas para una operación segura de este manual.** Al igual que con cualquier tipo de equipo motorizado, la falta de cuidado o error de parte del operador puede resultar en lesiones graves. **La falla de observar las instrucciones siguientes de seguridad podría resultar en lesiones graves o en la muerte.**



ADVERTENCIA: Esta unidad está equipada con un motor de combustión interna y no debe usarse en o cerca de tierras no mejoradas cubiertas de bosques, matorrales, y/o hierbas, a menos que el sistema de escape esté equipado con un supresor de chispas que cumpla con las leyes del estado o federales aplicables (de existir), si se usa un supresor de chispas debe ser mantenido en buenas condiciones de trabajo por el operador.

En el Estado de California es requerido por ley (Sección 4442 del Código de Recursos Públicos de California) lo indicado arriba. Otros Estados pueden tener leyes similares. Las leyes federales se aplican en las tierras federales. Está disponible un supresor de chispas para el silenciador en su centro de servicio autorizado Sears más cercano (vea la sección de PIEZAS DE REPUESTO de este manual).



ADVERTENCIA: El escape del motor de este producto contiene sustancias química conocidas en el Estado de California como causantes de cáncer, defectos de nacimiento u otros perjuicios reproductores.

OPERACION GENERAL

- Lea cuidadosamente esta guía del propietario en su totalidad antes de intentar armar esta máquina. Lea, comprenda y observe todas las instrucciones en la máquina y en el manual(es) antes de la operación. Guarde este manual en un lugar seguro para referencia futura y regular y para ordenar piezas de repuesto.
- Su cortadora giratoria es una pieza de precisión de equipo motorizado y no un juguete. Por consiguiente ejerza una precaución extrema en todo momento. Su unidad ha sido diseñada para desempeñar una tarea: cortar el césped. No la use para ningún otro fin.
- Nunca permita que niños menores de 14 años operen la unidad. Los niños de 14 años de edad y mayores deben operar solamente bajo una supervisión paterna estrecha. Debe permitirse operar la unidad a individuos responsables que estén familiarizados con estas reglas de operación segura solamente.
- Mantenga el área de operación despejada de todas las personas, particularmente niños pequeños y animales domésticos. Apague el motor cuando están cerca de su cortadora para ayudar a prevenir lesiones por el contacto con la cuchilla o por objetos despedidos. A pesar que el área de operación debe estar completamente despejada de objetos extraños, puede haberse descuidado un objeto el que puede ser accidentalmente despedido en cualquier dirección por la cortadora y causar lesiones personales graves al operador o a otras personas permitidas en el área.
- Inspeccione completamente el área donde se usará el equipo. Retire todas las piedras, palos, alambre, huesos, juguetes y otros objetos extraños que pueden ser tomados y despedidos en cualquier dirección por la cortadora y causar lesiones personales graves al operador o a otras personas permitidas en el área. Programe su patrón de corte para evitar la descarga de material hacia los caminos, aceras, espectadores y otros. Mantenga a los niños, espectadores y ayudantes a 75 pies de distancia por lo menos de la cortadora mientras está en operación, para ayudar a evitar lesiones por objetos despedidos.
- Use siempre lentes de seguridad o antiparras de seguridad, durante la operación y al efectuar ajustes o reparaciones, para proteger los ojos contra objetos extraños que pueden ser despedidos por la máquina en cualquier dirección.
- Use zapatos de trabajo resistentes, de suela áspera y pantalones y camisa ajustadas. Se recomiendan camisas y pantalones que cubran los brazos y las piernas y zapatos de puntera de acero. No use ropas holgadas ni joyas y sujete el cabello para que esté por encima de los hombros. Pueden quedar atrapadas en las piezas móviles. Nunca opere una unidad con los pies descalzos, sandalias o zapatos resbalosos o livianos (por ej. de lona).
- No coloque sus manos o ninguna parte de su cuerpo o ropas cerca de o debajo de piezas giratorias. Manténgase alejado en todo momento de la abertura de descarga ya que la

- hélice giratoria puede causar lesiones graves.
- Muchas lesiones ocurren como resultado de que la cortadora es empujada sobre el pie durante una caída. No se sujete a la cortadora si se está cayendo; suelte inmediatamente el mango.
- Nunca empuje la cortadora hacia usted mientras esté caminando. Si usted debe hacer retroceder la cortadora de una pared u obstrucción primero mire hacia abajo y detrás y a continuación siga estos pasos
 - a. Retroceda desde la cortadora para extender completamente sus brazos.
 - b. Asegúrese que se mantenga en equilibrio y firmemente parado.
 - c. Tire lentamente de la cortadora hacia atrás, no más que a medio camino hacia usted.
 - d. Repita esos pasos según sea requerido.
- No opere la unidad mientras está bajo la influencia del alcohol o las drogas.
- Mientras arranca el motor, no enganche el mecanismo autopropulsado de tenerlo.
- El mango de control de la cuchilla es un mecanismo de seguridad. Nunca trate de sobrepasar su operación. El hacerlo inhabilita el mecanismo de operación y puede resultar en lesiones personales a través del contacto con la cuchilla giratoria. El mango de control de la cuchilla debe operar fácilmente en ambas direcciones y retornar automáticamente a la posición desenganchada cuando se suelta.
- Nunca opere la cortadora en césped mojado. Asegúrese siempre de estar firmemente parado. Un resbalón y una caída puede causar lesiones personales graves. Sujete firmemente el mango y camine, nunca corra. Si siente que está cayendo, **SUELTE INMEDIATAMENTE EL MANGO DE CONTROL DE LA CUCHILLA** y la cuchilla detendrá su giro en tres segundos.
- Corte a la luz del día o bajo una buena luz artificial solamente.
- Detenga la cuchilla al cruzar caminos particulares, senderos o caminos cubiertos con pedregullo.
- Si el equipo comienza a vibrar anormalmente detenga el motor e inspeccione inmediatamente por la causa. La vibración es generalmente una advertencia de problemas.
- Apague el motor y espere hasta que la hélice se detenga completamente antes de retirar la bolsa de césped o destapar la canaleta. La hélice continúa girando durante unos segundos después de apagar el motor. Nunca coloque ninguna parte del cuerpo en el área de la hélice hasta que esté seguro que la hélice ha detenido su giro.
- Nunca opere la cortadora sin que las guardas adecuadas, bolsa de césped, placas u otros mecanismos protectores de seguridad estén en su lugar.
- El silenciador y el motor se calientan y pueden causar quemaduras. No los toque.
- Use accesorios aprobados para esta máquina

por el fabricante solamente. Lea, comprenda y observe todas las instrucciones provistas con el accesorio aprobado.

- Ejercer cuidado y buen juicio si ocurrieran situaciones que no están cubiertas en este manual. Contacte a su vendedor por asistencia.

OPERACION EN PENDIENTE

Para su seguridad, use el inclinador de pendiente incluido como parte de este manual para medir pendientes antes de operar esta unidad en una pendiente o área empinada. Si la pendiente es mayor que 15 grados según se muestra en el indicador de pendiente (pág.6), no opere esta unidad en esa área ya que podría resultar en lesiones graves.

HAGA LO SIGUIENTE:

- Corte a través de la superficie de las pendientes; nunca hacia arriba o hacia abajo. Sea muy precavido al cambiar dirección sobre las pendientes.
- Observe por pozos, surcos, objetos ocultos o elevaciones. El césped alto puede ocultar obstáculos.
- Siempre asegúrese de pararse firmemente. Un resbalón y caída pueden causarle lesiones personales graves. Si usted siente que está perdiendo el equilibrio suelte el mango de control de la cuchilla inmediatamente y la cuchilla se detendrá en menos de 3 segundos.
- **EN LOS MODELOS CON RUEDAS DE METAL FORJADO:** Calce ambas ruedas delanteras de manera que no pivoteen mientras corta sobre la superficie de las pendientes. Para girar la cortadora empuje el mango hacia abajo y levante ligeramente las ruedas delanteras.

NO HAGA LO SIGUIENTE:

- No corte cerca de caídas verticales, zanjas o terraplenes. El operador puede perder pie o perder el equilibrio.
- No corte en pendientes mayores de 15 grados según indicado en el indicador de pendientes.
- No corte sobre césped mojado. El pararse con una firmeza menor puede causar un resbalón.
- **EN LOS MODELOS CON RUEDAS DE METAL FORJADO:** No corte sobre pendientes con las ruedas sin calzar ya que la cortadora tiene una tendencia a moverse barranca abajo.

NIÑOS

Pueden ocurrir accidentes trágicos si el operador no está alerta a la presencia de niños pequeños. Los niños se sienten atraídos a menudo a la actividad de corte. Nunca suponga que los niños permanecerán donde usted los vio por última vez.

- Mantenga a los niños fuera del área de corte y bajo los ojos vigilantes de un adulto responsable que no sea el operador.
- Esté alerta y apague la cortadora si un niño entra al área.
- Antes y mientras retrocede, mire detrás y hacia abajo por niños pequeños u otros objetos.
- Nunca permita que niños menores de 14 años

de edad operen la cortadora. Los niños de 14 años de edad y mayores deben leer y comprender las instrucciones de operación y reglas de seguridad en este manual.

- Sea muy precavido al aproximarse a esquinas ciegas, arbustos, árboles u otros objetos que pueden oscurecer su visión de un niño o riesgo.

SERVICIO

- Sea muy precavido al usar gasolina y otros combustibles. Los mismos son extremadamente inflamables y los vapores son explosivos.
- Use un recipiente aprobado de gasolina solamente.
- Nunca retire la tapa de gasolina ni vierta combustible mientras el motor está funcionando. Permita que el motor se enfríe por dos minutos por lo menos antes de cargar combustible.
- Vuelva a colocar firmemente la tapa de gasolina y limpie la gasolina derramada antes de arrancar el motor, ya que puede causar un incendio o explosión.
- Apague todos los cigarrillos, cigarros, pipas y otras fuentes de encendido.
- Nunca cargue combustible a la unidad bajo techo ya que los vapores inflamables se acumularán en el área.
- Nunca almacene la máquina ni el recipiente de combustible bajo techo donde haya llamas expuestas o chispas, tales como calentadores de agua caliente a gas, secadora de ropas o caldera.
- Nunca haga funcionar su máquina en un área cerrada.
- Para reducir el riesgo de incendio, mantenga la cortadora libre de hojas, grama, y otras acumulaciones de desechos. Limpie los derrames de combustible y aceite. Permita que la cortadora se enfríe por 5 minutos por lo menos antes de guardarla.
- Asegúrese que la cuchilla y todas las piezas móviles estén detenidas, antes de limpiar, reparar o inspeccionar. Desconecte el cable de

la bujía y mantenga el cable alejado de la bujía para prevenir el arranque accidental.

- Inspeccione los pernos de montaje de la cuchilla y del motor a intervalos frecuentes por un ajuste adecuado. También, inspeccione visualmente la cuchilla por daños (por ej. doblada, agrietada o gastada). Reemplace con una cuchilla que cumpla con las especificaciones del equipo original listadas en este manual.
- Mantenga todas las tuercas, pernos y tornillos bien ajustados para asegurarse que el equipo esté en buenas condiciones de trabajo.
- Nunca manipule los mecanismos de seguridad. Inspeccione regularmente su operación apropiada.
- Después de golpear un objeto extraño, apague inmediatamente el motor, desconecte el cable de la bujía de la bujía, e inspeccione completamente la unidad por daños. Repare el daño antes de arrancar y operar la cortadora.
- Nunca intente efectuar un ajuste de la rueda o altura de corte
- mientras el motor esté funcionando.
- Los componentes de la bolsa de césped están sujetos a daños y deterioración por desgaste, lo que puede exponer las piezas móviles o permitir que los objetos sean despedidos. Inspeccione frecuentemente los componentes y reemplace con las piezas recomendadas por el fabricante, cuando sea necesario, para protección de seguridad.
- Las cuchillas de la cortadora son afiladas y pueden cortar. Al prestar servicio envuelva la cuchilla(s) o use guantes y sea muy precavido.
- No cambie la graduación del regulador del motor ni acelere en exceso el motor. Las velocidades excesivas del motor son peligrosas.

SU RESPONSABILIDAD

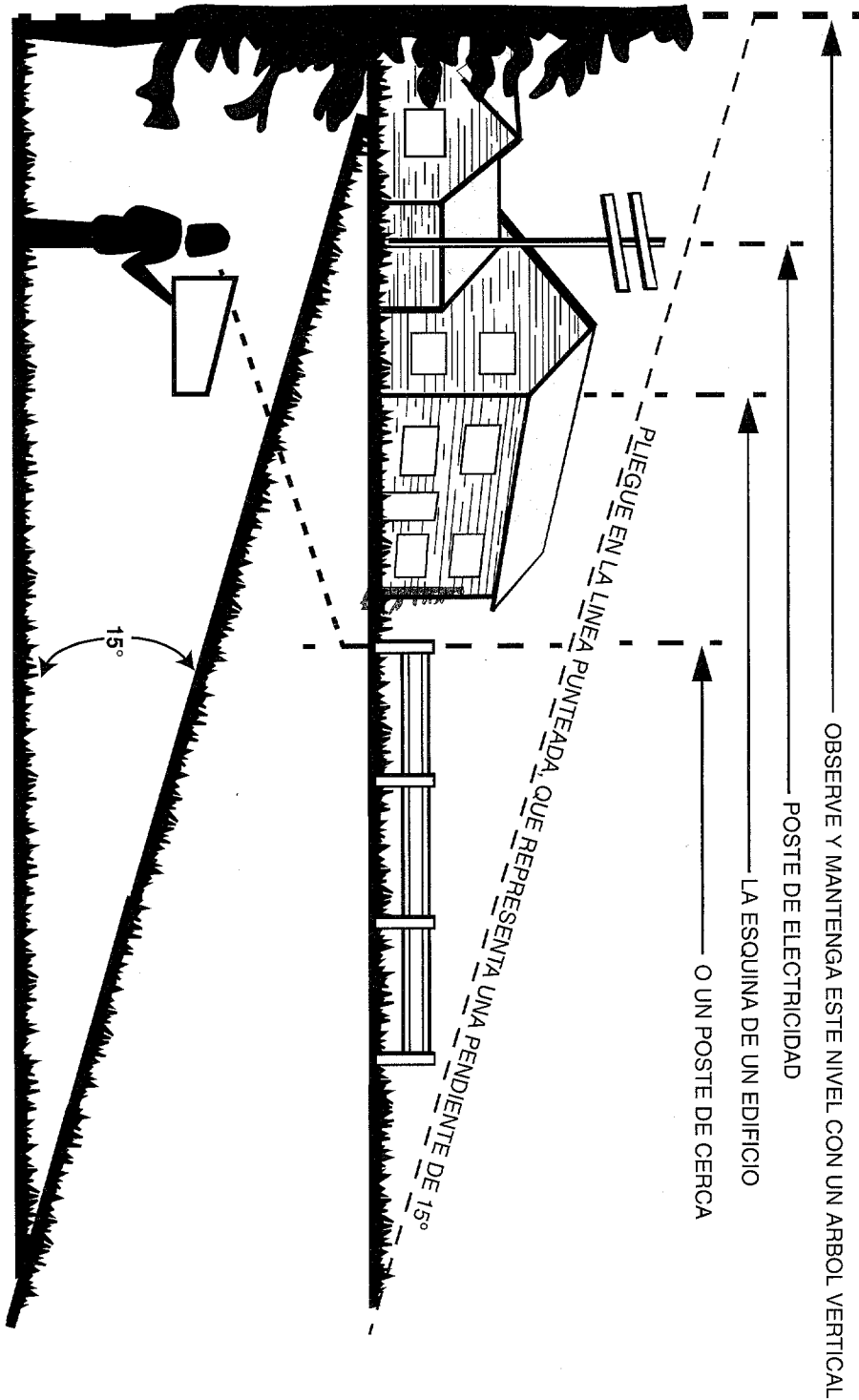
Restrinja el uso de esta máquina motorizada a las personas que lean, comprendan y siguen las advertencias e instrucciones en este manual y en la máquina.

Las siguientes son representaciones de los rótulos de seguridad en su cortadora. Mantenga la seguridad mientras opera la cortadora.



INDICADOR DE PENDIENTE

USE ESTA PAGINA COMO UNA GUIA PARA DETERMINAR PENDIENTES DONDE USTED NO PUEDE OPERAR CON SEGURIDAD:



ADVERTENCIA

No corte en terrenos inclinados con una pendiente mayor de 15 grados (una elevación de 2-1/2 pies cada 10 pies aproximadamente). Una cortadora con el operador montado podría volcar y causar lesiones graves. Si opera una cortadora de empuje en tal pendiente, es extremadamente difícil mantenerse firmemente parado y usted puede resbalar resultando en lesiones graves.

Opere las cortadoras con el OPERADOR MONTADO hacia arriba y abajo de las pendientes; nunca a través de la superficie de las mismas.

Opere las cortadoras de EMPUJE a través de las superficies de las pendientes; nunca hacia arriba y abajo de las mismas.

ENSAMBLADO

Extracción De La Unidad De La Caja

- Para abrir la caja extraiga los broches, rompa la goma en las aletas superiores o corte la cinta al extremo de la caja y pele a lo largo de la aleta superior.
- Extraiga las piezas sueltas que están incluidas con la unidad (por ej. manual del propietario).
- Corte a lo largo de las líneas punteadas y coloque la caja plana.
- Extraiga el material de envasado.
- Ruede o deslice la unidad fuera de la caja. Inspeccione bien la caja por piezas sueltas.

NOTA: Asegúrese de no apretar los cables al extraer las piezas sueltas o toda la unidad de la caja.

IMPORTANTE: Esta unidad se despacha **sin gasolina ni aceite en el motor**. Asegúrese de prestar servicio al motor con gasolina y aceite antes de operar su cortadora.

NOTA: Se observa desde la posición operativa la referencia al lado de mano derecha o izquierda y parte anterior o posterior de la cortadora.

Piezas Sueltas

- a. Manual del propietario
- b. Una botella de aceite de motor
- c. Bolsa de césped
- d. Canaleta de descarga

Desconexión De La Bujía

- Antes de preparar su cortadora de césped, desconectar el cable de la bujía de la misma, y conectarlo a tierra contra el poste del motor. Ver la Figura 1.

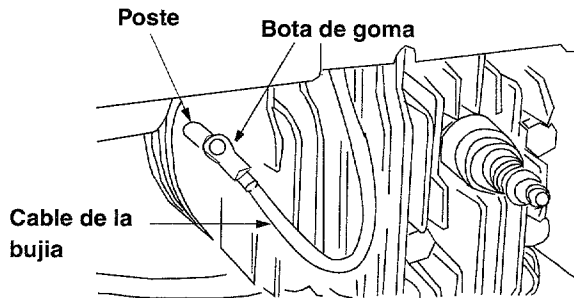


Figura 1

Ensamblado Del Mango

- Levante el mango inferior en la dirección mostrada en la Figura 2A. El mango inferior debe calzar en su lugar.

Nota: Asegúrese de encaminar los cables dentro del mango inferior. También no presione los cables al levantar el mango.

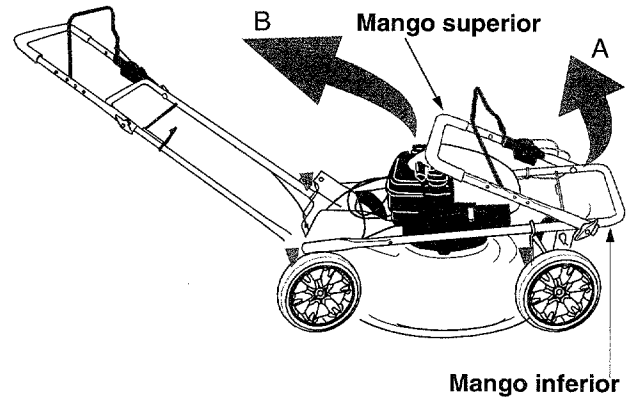


Figura 2

Para fines de transporte, el broche del cabello se coloca en el orificio exterior de la clavija soldada a cada lado del mango inferior.

- Extraiga el broche del cabello del orificio exterior de la clavija soldada.

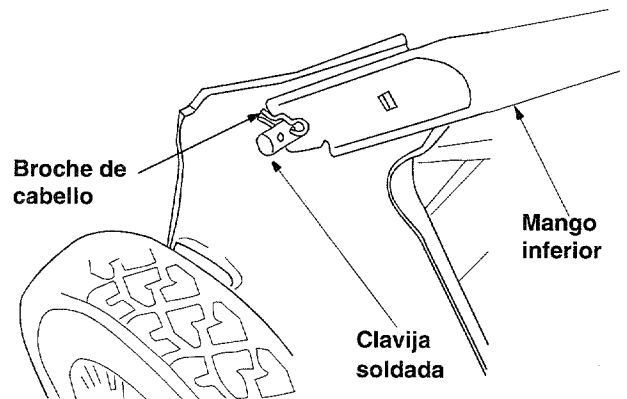


Figura 3

- Inserte el broche del cabello dentro del orificio interior de la clavija soldada. Repita del otro lado. Vea el recuadro de la Figura 3.
- Levante el mango superior en la dirección mostrada en la Figura 2B. Ajuste las tuercas mariposa que ya están colocadas en el mango.
- Encaminar el cable de control al interior del mango inferior.
- Fijar el cable de control al mango inferior con los dos amarres de cable provistos en el mango

inferior. Colocar los postes en las amarras de los cables dentro de los orificios en el mango inferior, según se muestra abajo. Tirar de los amarres de los cables hasta que estén tirantes y cortar el sobrante. Ver la Figura 4.

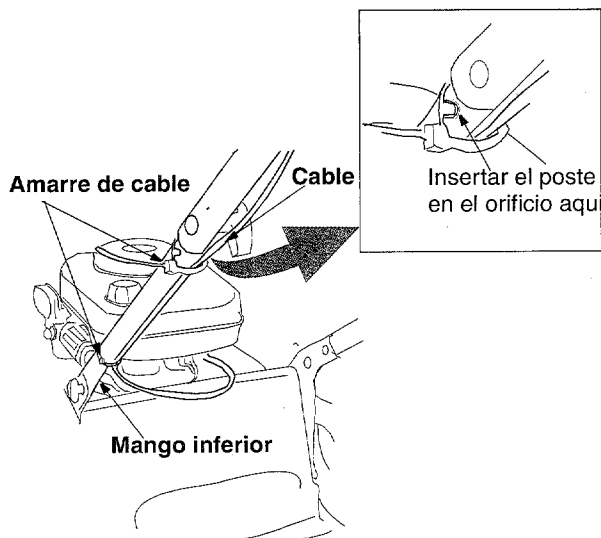


Figura 4

Tapón de acolchado

Su cortadora de césped se envió con el tapón de acolchado ya instalado en la unidad. Dejarlo en su lugar si se desea acolchar el césped. Para fines de embolsar, extraer el tapón de acolchado y fijar el colector de césped a la cortadora. Para extraer el tapón de acolchado seguir las instrucciones.

- Levante la puerta de la canaleta en la cortadora. Extraiga el tapón de acolchado. Vea la Figura 5.

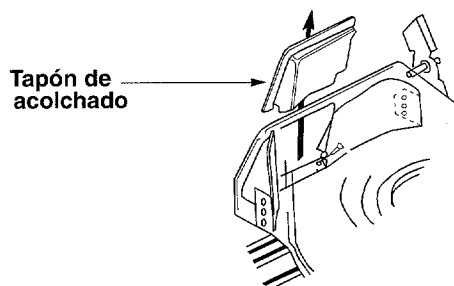


Figura 5

Fijación Del Canaleta De Descarga

- Levante la puerta de descarga posterior de la cortadora. Coloque los extremos de la varilla dentro de las ranuras en los conjuntos del soporte de la manija. Vea la Figura 6. Desenganche la puerta de descarga posterior.

- Para extraer el deflector de la canaleta, levante la puerta de descarga posterior de la cortadora. Levante el deflector de la canaleta, fuera de las ranuras en los conjuntos del soporte de la manija. Desenganche la puerta de descarga posterior.

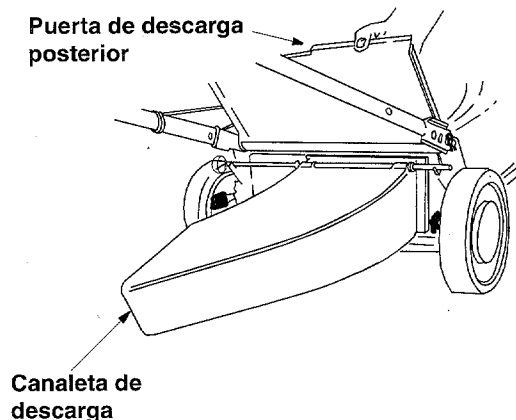


Figura 6

Fijación Del Retenedor De Césped A La Cortadora

- Sujetando firmemente la bolsa de césped, coloque la bolsa en la cortadora según se muestra en la Figura 7.

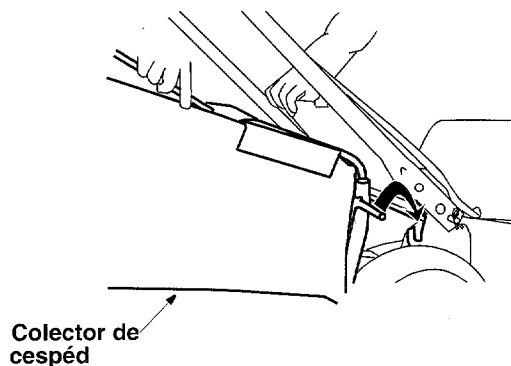


Figura 7

- Coloque los ganchos, ubicados a ambos lados del armazón del retenedor de césped, sobre la varilla de pivote de la puerta de la canaleta en la parte posterior de la unidad. Vea la Figura 7. Desenganche la puerta de la canaleta.



Advertencia: Nunca opere la cortadora a menos que el armazón del retenedor de césped esté firmemente asentado en la varilla de pivote de la puerta de la canaleta, y la puerta posterior de descarga esté bien apoyada sobre el tope del retenedor de césped.

OPERACION

Conozca Su Cortadora De Césped

(Refiérase a la Figura 8)

Antes de operar su cortadora de césped lea este manual del propietario y las reglas de seguridad. Compare las ilustraciones en la Figura 8 con su cortadora de césped para familiarizarse con la ubicación de los varios controles y ajustes. Guarde este manual para referencia futura.



ADVERTENCIA: La operación de una cortadora de césped puede resultar en objetos extraños siendo despedidos contra los ojos del operador causando lesiones graves. Mientras opera la cortadora o efectúe ajustes o reparaciones, use siempre gafas de seguridad.

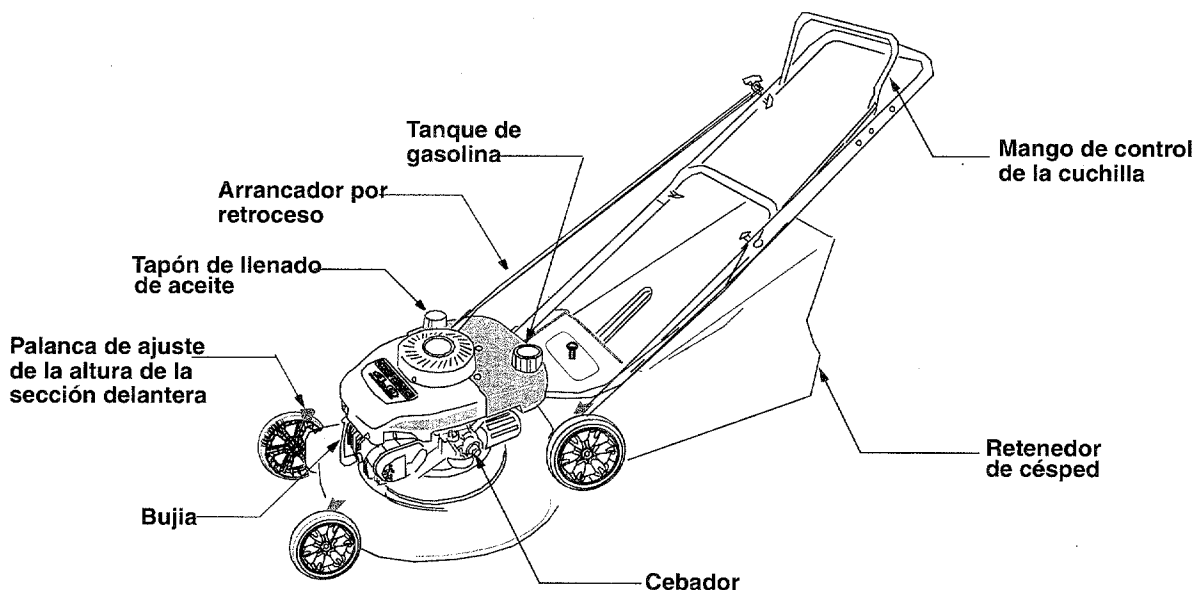


Figura 8

Arrancador de retroceso

El arrancador de retroceso está fijado al mango. Para arrancar la unidad, párese detrás de la misma y tire del arrancador de retroceso.

Cebador

El cebador se usa para bombear gasolina al carburador. Uselo para arrancar un motor frío, pero no lo use para volver a arrancar un motor caliente enseguida después de apagado.

Mango de control de la cuchilla



ADVERTENCIA: Este mecanismo de control es un mecanismo de seguridad la unidad. **Nunca trate de sobrepasar** su operación.

El mango de control de la cuchilla está ubicado en el mango superior de la cortadora. El mango de control

de la cuchilla debe presionarse para operar la unidad. Para detener el motor y la cuchilla suelte el mango de control de la cuchilla.

Palanca de ajuste de la altura de la sección delantera

Refiérase a la sección de ajuste de altura de la página 40 de este manual.

Velocidad del motor de combustión

La velocidad del motor de combustión de su cortadora de césped se ha ajustado de fábrica. No se debe intentar incrementar la velocidad del motor de combustión ya que puede resultar en lesiones personales. Llevar la unidad a un centro de servicio Sears cercano, si se cree que el motor de combustión está funcionando demasiado rápido o demasiado lento.

Cumple Con Las Normas CPSC De Seguridad De Cuchillas

Las cortadoras de césped de empuje Craftsman cumplen con las normas de seguridad del Instituto Americano de Normas Nacionales y de la Comisión de Seguridad de Productos del Consumidor de Estados Unidos

Detencion Del Motor

- Suelte el mango de control de la cuchilla para detener el motor y la cuchilla.
- Desconecte el cable de la bujía y aléjese de la misma para evitar un arranque accidental.



ADVERTENCIA: Antes de usar su cortadora de césped refiérase nuevamente a las **reglas de seguridad** de las páginas 3-5 de este manual. **Sea siempre precavido.**

Llenado De Gasolina Y Aceite

Aceite

- Use aceite detergente de alta calidad solamente, clasificado según la clasificación API de servicio SF, SG o SH. Seleccione el grado de viscosidad del aceite de acuerdo con su temperatura esperada de operación.
- Use aceite SAE30; no use aceite 10W40.



Tabla de Grado de Viscosidad de aceite

- Llene el reservorio de aceite e inspeccione el nivel de aceite.
 - a. Coloque la cortadora sobre un suelo nivelado.
 - b. Limpie el área alrededor del tapón de llenado de aceite.
 - c. Extraiga el tapón de llenado de aceite y la varilla de medición.
 - d. Frote limpia la varilla de medición. Inserte dentro del orificio de llenado de aceite y ajuste seguramente.
 - e. Extraiga la varilla de medición e inspeccione el nivel de aceite. Si el aceite no llega a la marca FULL (LLENO) de la varilla de medición, vierta el aceite recomendado a través del llenador de aceite e inspeccione nuevamente el nivel.
- Vuelva a colocar el tapón de llenado de aceite y la varilla de medición y ajuste firmemente.

NOTA: A pesar que los aceites de viscosidad múltiple (5W30, 10W30, etc.) mejoran el arranque en tiempo frío, los mismos resultarán en un consumo mayor de combustible cuando se usan sobre los 32°F. Inspeccione su nivel de aceite más frecuentemente para evitar daños posibles al motor al funcionar con poco aceite.

Gasolina



ADVERTENCIA: Nunca llene al tanque bajo techo o cuando el motor está funcionando frío o caliente. No fume mientras llena el tanque de combustible.

- Limpie el área alrededor de la tapa de combustible. Extraiga la tapa del combustible.
- Use un embudo para evitar derramar.
- Vierta lentamente al tanque de gasolina aproximadamente 1.5 cuartos de gasolina fresca, de grado regular, sin plomo.

IMPORTANTE: Nunca mezcle aceite de motor con gasolina.

- Llene el tanque a 1/2" por debajo del cuello del llenador. Limpie cualquier derrame. **No llene** completamente el tanque. Deje espacio para la expansión del combustible.

Arranque Del Motor



ADVERTENCIA: Asegúrese que **ninguna persona además del operador** esté parada cerca la de cortadora de césped al arrancar u operar.

NOTA: Para evitar que la unidad resbale, coloque su pie firmemente contra la rueda.

- Fije el cable de la bujía a la bujía. Asegúrese que la tapa de metal al extremo del cable de la bujía esté fijada firmemente sobre la punta de metal de la bujía.



ADVERTENCIA: Nunca haga funcionar el motor **bajo techo ni en áreas confinadas con mala ventilación**. El escape del motor contiene monóxido de carbono, un gas inodoro y letal.

ADVERTENCIA: Mantenga las manos, pies, cabello y ropas holgadas alejadas de las piezas móviles del motor y de la cortadora.

- Empujar el cebador cinco veces. Esperar dos segundos aproximadamente entre cada empuje. No cebar para rearrancar un motor caliente después de un apagado breve. Vea la Figura 9.

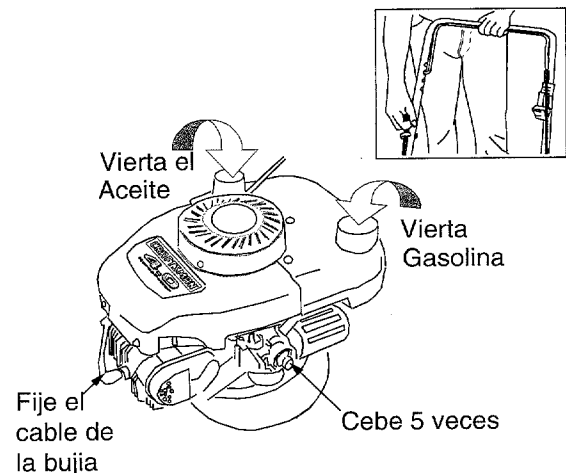


Figura 9

- Sujete el mango del arrancador y tire lentamente de la sog a hasta que el motor llegue al comienzo del ciclo de compresi3n (la sog a ofrecer3 un poco de m3s resistencia en este punto). Vea la Figura 9. Permita que la sog a se enrolle lentamente.
- Tire de la sog a con una pasada r3pida, continua, usando todo el brazo. Empuñando firmemente el mango del arrancador permita que la sog a se enrolle lentamente.
- Cuando el motor arranca, mueva el control del acelerador a la velocidad deseada del motor.

Uso De Su Cortadora

Su cortadora de c3sped est3 diseñada para operar como una unidad acolchadora o de descarga lateral

- Aseg3rese que el c3sped est3 libre de piedras, palos, alambre u otros objetos que puedan dañar la cortadora de c3sped o el motor. Tales objetos pueden ser accidentalmente despedidos por la cortadora en cualquier direcci3n y causar lesiones personales graves al operador o a otras personas.
- Para obtener los mejores resultados no corte c3sped mojado ya que tiende a pegarse a la parte inferior de la cortadora, evitando la descarga apropiada de los recortes de c3sped y puede causar que se resbale y se caiga. El c3sped nuevo, denso o mojado puede requerir un corte m3s angosto.
- Para obtener un c3sped sano, corte siempre un tercio o menos del largo total del c3sped. El c3sped debe cortarse en el otoño mientras haya crecimiento.

Uso Del Retenedor De C3sped

Usted puede usar la bolsa del retenedor de c3sped para coleccionar recortes mientras opera la cortadora.

- Fije la bolsa del retenedor de c3sped a la cortadora siguiendo las instrucciones de este manual.
- Opere la cortadora hasta que la bolsa del retenedor de c3sped est3 llena o hasta que se haya completado la tarea, lo que sea primero.

- Detenga completamente el motor soltando la manija de control de la cuchilla. Aseg3rese que la unidad se ha detenido completamente y que la cuchilla no gire. Vacíe la bolsa del retenedor de c3sped como sigue:
- Levante la puerta de descarga y tire de la bolsa de c3sped fuera de la cortadora seg3n se muestra en la Figura 10.
- Sujetando firmemente la bolsa, ll3vela alejada de la cortadora. Descarte apropiadamente los recortes.

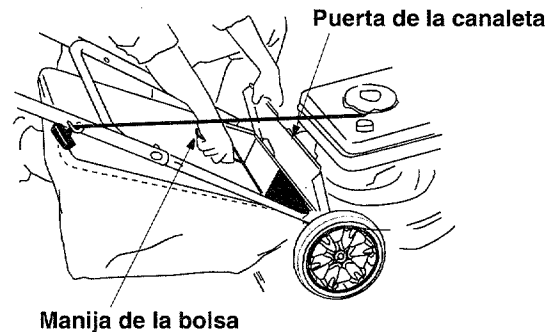


Figura 10



ADVERTENCIA. Si usted golpea un objeto extraño, detenga el motor. Extraiga el cable de la bujía de la misma e inspeccione completamente la cortadora por daños. Repare el daño antes de arrancar y operar nuevamente la cortadora. Una vibración intensa de la cortadora durante la operación es una señal de daño. La unidad debe inspeccionarse y repararse a la brevedad.

Ajuste De La Altura

Para instrucciones respecto a como ajustar la altura de corte y la altura del mango, refi3rase a la secci3n de ajuste de altura de la p3gina 40 de este manual. Para obtener los mejores resultados en el corte, mantenga la altura de corte en la posici3n alta hasta que se determine cual es la mejor altura para su c3sped.

MANTENIMIENTO

Recomendaciones Generales

- Observe siempre las reglas de seguridad al efectuar el mantenimiento.
- La garantía de esta cortadora de césped no cubre artículos que han estado sujetos a abuso o negligencia por parte del operador. El operador debe mantener la cortadora según se instruye en este manual para recibir el valor pleno de la garantía.
- El cambiar la velocidad gobernada del motor cancelará la garantía del mismo.
- Todos los ajustes en la sección de servicio y ajustes de este manual deben efectuarse una vez por temporada por lo menos.
- Siga el programa de mantenimiento indicado abajo.
- Inspeccione periódicamente todos los sujetadores y asegúrese que estén ajustados



ADVERTENCIA: Siempre detenga el motor y **desconecte el cable de la bujía** antes de efectuar mantenimiento o ajustes.

Limpieza

La parte inferior de la plataforma de la cortadora debe limpiarse después de cada uso para evitar la

acumulación de recortes de césped, hojas, tierra u otros desechos. Si se permite acumular estos desechos, resultará en oxidación y corrosión.

- Desconecte el cable de la bujía.
- Drene la gasolina de la cortadora, o coloque un trozo de plástico debajo de la tapa de gasolina.
- Incline la cortadora de manera que se apoye sobre el armazón. Mantenga el lado con el filtro hacia arriba. Sujete firmemente.
- Frote limpia la parte inferior de la plataforma con una herramienta adecuada.
- Enderece la cortadora sobre las ruedas en el suelo. Asegúrese de retirar el plástico que puso debajo de la tapa de gasolina, si así lo hizo.



ADVERTENCIA: Nunca incline la cortadora más de 90 grados y **no la deje dada vuelta en ningún momento**. El aceite puede drenar dentro de la parte superior del motor causando un problema de arranque.

NOTA: No recomendamos usar una manguera de jardín para limpiar la cortadora a menos que el silenciador, filtro de aire y carburador estén cubiertos para mantener afuera el agua. El agua dentro del motor puede acortar la vida del mismo.

Responsabilidades Del Cliente

PROGRAMA DE MANTENIMIENTO		Después de cada uso	Cada 25 horas	Cada 50 horas	Cada 100 horas	Una vez por temporada	Antes de almacenar	FECHAS DE SERVICIO						
PRODUCTO	Lubricar ruedas					✓								
	Lubricar ruedas de metal forjado		✓											
	Lubricar control de la cuchilla					✓								
	Limpiar plataforma	✓					✓							
	Cuidado de la cuchilla		✓				✓							
MOTOR	Cambiar aceite		✓											
	Reemplazar filtro de aire				✓									
	Limpiar motor						✓							
	Inspeccionar bujía			✓		✓								
	Inspeccionar supresor de chispas (de haberlo)			✓										

Mantenimiento Del Motor



ADVERTENCIA: Antes de efectuar ajustes o reparaciones, siempre **detenga el motor**, **desconecte el cable de la bujía** y aléjelo de la misma.

Aceite de Motor

- Use aceite detergente de alta calidad solamente, clasificado según la clasificación API de servicio SF, SG o SH de acuerdo con su temperatura esperada de operación. Para la tabla de viscosidad refiérase a la página 34 de este manual.
- Detenga el motor y espere varios minutos antes de inspeccionar los niveles de aceite. Con el motor sobre un suelo a nivel, el aceite debe alcanzar la marca FULL (LLENO) en la varilla de medición.

Cambio de aceite del motor

Cambie el aceite después de operación y cada 25 horas. Drene el aceite mientras el motor está caliente. Siga las instrucciones impartidas abajo.

- Inclíne la cortadora con la bujía hacia arriba.
- Coloque un recipiente debajo de la varilla de medición. Extraiga la varilla de medición del reservorio de aceite.
- Drene completamente el reservorio de aceite, colectando el aceite en un recipiente aprobado. Llène el reservorio con 21 onzas de aceite fresco SAE 30. Para las instrucciones de llenado de aceite refiérase a la página 34 de este manual.

Filtro de aire

El filtro de aire previene que suciedad, polvo, etc., dañinos, penetren en el carburador y sean forzados dentro del motor, lo que es importante para la duración y el funcionamiento del motor. Reemplace el filtro una vez por año o cada 100 horas de operación y más a menudo si se usa bajo condiciones extremadamente polvorrientas.



ADVERTENCIA: Nunca haga funcionar el motor sin que el filtro esté completamente ensamblado

Para prestar servicio al filtro de aire:

- Gire la cubierta del filtro de aire en sentido contrario a las agujas del reloj y extraiga la cubierta y el filtro de la brida. Vea la Figura 11. Descarte el filtro.
- Limpie bien la cubierta y la brida.
- Inserte el nuevo filtro dentro de la cubierta.
- Coloque la cubierta y el filtro contra la brida con la aleta de la cubierta insertada dentro de la esquina inferior izquierda de la ranura de la brida. Vea la Figura 11.

- Empuje firmemente la cubierta contra la brida y gírela en el sentido de las agujas del reloj tanto como pueda. Asegúrese que los retenedores estén calzados alrededor de la brida. Vea la Figura 11.

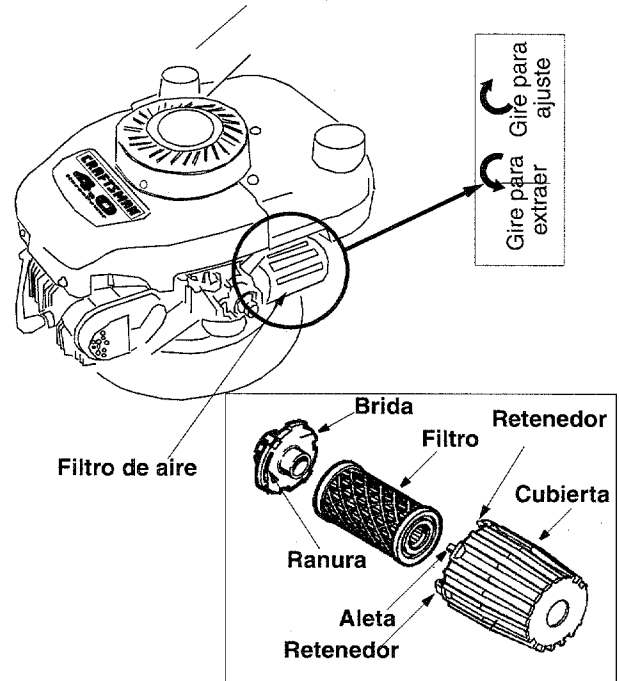


Figura 11

Bujía

- Limpie la bujía y ajuste la separación a .030" una vez por temporada por lo menos o después de cada 50 horas de operación. Vea la Figura 12. Se recomienda el reemplazo de la bujía al comienzo de cada temporada. Refiérase a la lista de piezas del motor para el tipo correcto de bujía.

NOTA: No limpie la bujía con chorro de arena. La bujía debe limpiarse raspando o cepillando con cepillo de alambre y lavando con un solvente comercial.

Separación de .030" del calibre palpador de .030"

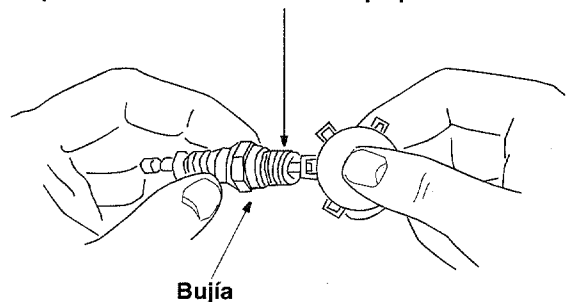


Figura 12

Limpie el motor

- Limpie periódicamente el motor. Elimine la suciedad y los desechos con un trapo o cepillo.
- Extraiga periódicamente los recortes de césped, suciedad y desechos de las aletas de enfriamiento, pantalla de toma de aire, palancas y acople. Esto ayudará a asegurar un enfriamiento adecuado y una velocidad correcta del motor.

NOTA: No limpie con un chorro intenso de rociado de agua ya que el agua puede contaminar el sistema de combustible.

Silenciador



ADVERTENCIA: No opere la cortadora **sin un silenciador**, ni manipule el sistema de escape. Los silenciadores o supresores de chispas dañados pueden crear un riesgo de incendio. La temperatura del silenciador y de las áreas circundantes **puede exceder los 150°F (65°C)**.

- Inspeccione periódicamente y reemplácelo si fuera necesario. Si su motor está equipado con un conjunto de tamiz de supresor de chispas, retire después de cada 50 horas de uso para limpieza e inspección. Reemplace si está dañado.

Cuchilla

Inspeccione periódicamente el adaptador de la cuchilla por grietas, especialmente si golpea un objeto extraño. Reemplace según sea necesario.



ADVERTENCIA: Proteja sus manos usando guantes gruesos o un trapo para sujetar la cuchilla de corte, al extraerla para afilarla o reemplazarla.

Lubricación

(Vea la Figura 13.)

Ruedas

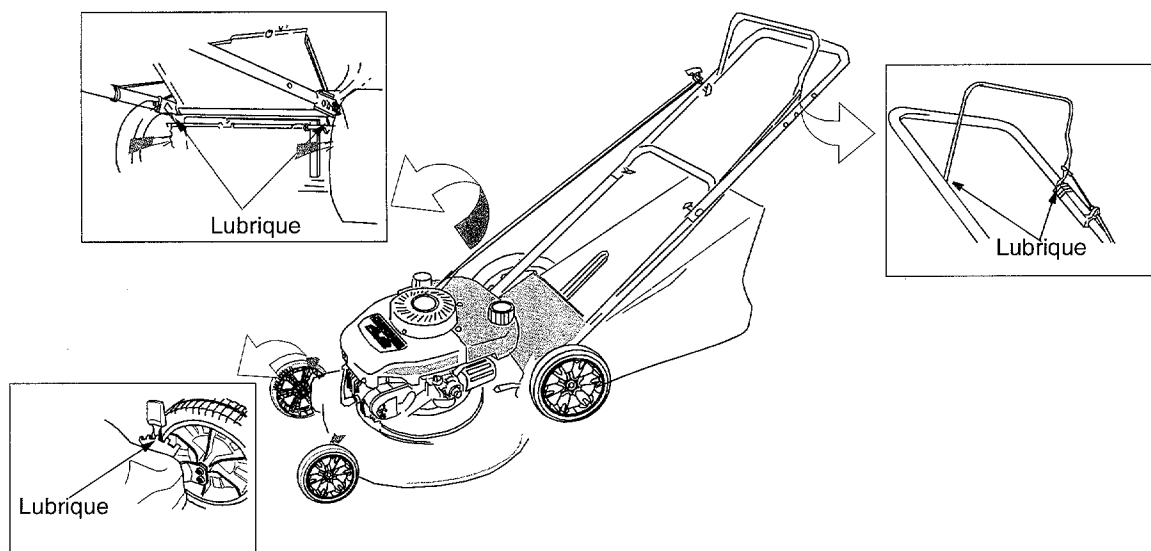
- Lubrique las ruedas una vez por temporada por lo menos con aceite liviano o aceite de motor. También, si se extraen las ruedas por cualquier motivo, lubrique la superficie del perno del eje y la superficie interior de la rueda con aceite liviano.

Mango de control de la cuchilla

- Lubrique los puntos de pivote en el mango de control de la cuchilla y el cable del freno con aceite liviano una vez por temporada por lo menos. El mango de control de la cuchilla debe operar libremente en ambas direcciones. Vea la Figura 13, para la tabla completa de lubricación.

Deflector de la canaleta y palanca de ajuste de la altura

- Lubrique el resorte de torsión y el punto de pivote en cada extremo del deflector de la canaleta, usando un aceite liviano. Esto prevendrá la oxidación y asegurará que el deflector, que es un mecanismo de seguridad, pueda siempre funcionar adecuadamente.
- Lubrique la placa de ajuste de altura, a través de la cual se mueve la palanca de ajuste, con un aceite liviano.



NOTA: Las ilustraciones en los recuadros representan una vista desde otra perspectiva en lugar que desde la posición de operación

Figura 13

SERVICIO Y AJUSTES

Cuidado De La Cuchilla

Inspeccione periódicamente el adaptador de la cuchilla por grietas, especialmente si golpea un objeto extraño. Reemplace según sea necesario.



ADVERTENCIA: Proteja sus manos usando guantes gruesos o un trapo para sujetar la cuchilla de corte, al extraerla para afilarla o reemplazarla.

- Desconecte el cable de la bujía de la misma.
- Vuelque la cortadora de lado asegurándose que el filtro de aire y el carburador estén hacia arriba.

Extracción de la cuchilla

- Extraiga el perno y el soporte de la campana de la cuchilla que sujeta la cuchilla y el adaptador al cigüeñal del motor. Vea la Figura 14.
- Extraiga la cuchilla y el adaptador del cigüeñal.

Reemplazo de la cuchilla

- Antes de volver a instalar la cuchilla y el adaptador de cuchilla a la unidad, lubrique el cigüeñal del motor y la superficie interna del adaptador de la cuchilla con aceite liviano.
- Instale el adaptador de la cuchilla en el cigüeñal con la "estrella" alejada del motor. Vea la Figura 14.

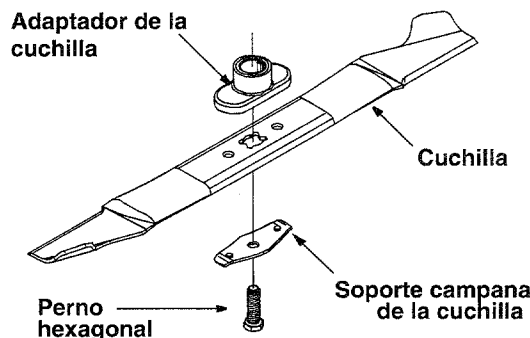


Figura 14

- Coloque la nueva cuchilla con el lado marcado "bottom" ("fondo") (o con el número de pieza) enfrentada alejada del adaptador.
- Coloque a continuación el soporte de la campana. Asegúrese de alinear las aletas en los orificios de la cuchilla con el orificio en el soporte de la campana.
- Inserte el perno hexagonal a través del conjunto de la cuchilla.
- La Figura 14 muestra el orden correcto de ensamblado.
- Use un bloque de madera para mantener nuevamente la cuchilla mientras usted ajusta el perno en el sentido de las agujas del reloj.

Observe el par torsor recomendado para el perno que es de 450-600 pulg.lbs.

IMPORTANTE: El perno usado para asegurar la cuchilla al motor está especialmente tratado térmicamente. **No lo sustituya.** Para ordenar un perno de reemplazo, refiérase a la sección de Piezas de Repuesto de este manual.



ADVERTENCIA: Todas las tuercas y pernos deben inspeccionarse periódicamente por un ajuste correcto, para asegurar una operación segura de su unidad.

Afilado de la cuchilla

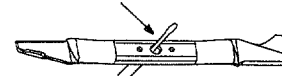
La cuchilla puede afilarse con una lima o en una rueda afiladora. No trate de afilarla mientras esté colocada en la cortadora

- Siga el ángulo original de afilado como guía. Asegúrese que cada borde de corte reciba un grado igual de afilado para evitar una cuchilla desequilibrada.

NOTA: Una cuchilla desequilibrada causará una vibración excesiva cuando gire a altas velocidades, puede causar daño a la cortadora y puede romperse, causando lesiones personales.

- Pruebe la cuchilla equilibrándola sobre un destornillador de hoja redonda o en un equilibrador de cuchillas. Vea la Figura 15.
- Si la cuchilla no está equilibrada, desgaste el metal del lado más pesado hasta que se equilibre de forma pareja.

1. Inserte el destornillador a través del orificio



2. La cuchilla debe estar paralela al suelo

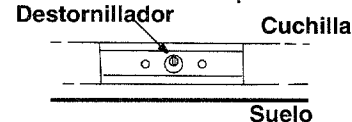


Figura 15

Ajustes Del Motor



ADVERTENCIA: No efectúe ajustes innecesarios al motor. Las graduaciones de fábrica son satisfactoria para la mayoría de las condiciones. Manténgase alejado de todas las piezas móviles, si efectúa ajustes al motor mientras el mismo está funcionando. Sea precavido con las superficies calientes y el silenciador. Mantenga sus manos alejadas de esas piezas.

Carburador:

El carburador ha sido pregraduado de fábrica y no debería requerir ajustes.

- Si el motor en su cortadora no opera correctamente debido a problemas sospechados del carburador, lleve su cortadora de césped a su centro de servicio Sears más cercano.
- El funcionamiento del motor puede afectarse a altitudes superiores a los 4000 pies. Instale un juego de ajuste para grandes altitudes, disponible en el centro de servicio de Sears, para mejorar el funcionamiento del motor.

NOTA: Un filtro sucio causará que el motor funcione con rudeza. Asegúrese que el filtro de aire esté limpio y esté fijado al carburador.

Velocidad del Motor



ADVERTENCIA: El acelerar el motor sobre la graduación de fábrica puede ser **peligroso**. No intente incrementar la velocidad del motor o puede resultar en lesiones personales. El cambio de la velocidad gobernada del motor **cancelará la garantía del motor**.

- Si en su opinión el motor está funcionando demasiado rápido o lento, lleve su cortadora de césped al centro de servicio Sears más cercano.

Ajuste De La Altura Del Mango

Su cortadora de césped se despacha con el mango en la posición de altura máxima. Proceda como sigue para bajar la altura del mango.

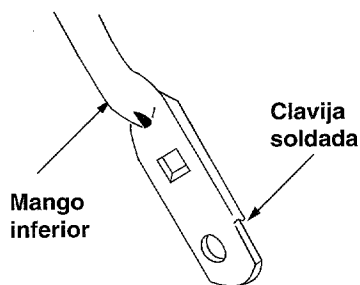


Figura 16

- Extraiga la cuerda del arrancador de la guía de la cuerda.
- Extraiga el mango superior extrayendo las perillas manuales y pernos del acarreador. Coloque el mango superior fuera del paso, teniendo cuidado en no doblar o presionar los cables.

- Extraiga los broches del cabello de las clavijas soldadas en los soportes del mango. Refiérase al recuadro de la Figura 16. Presione sobre las piernas del mango inferior. Extraiga el mango inferior de la cortadora.
- Gire el mango inferior de la cortadora de manera que la muesca en el fondo del mango inferior esté orientada hacia adelante según se muestra en la Figura 16. Reensamble, colocando los orificios inferiores del mango sobre las clavijas soldadas en el soporte de montaje del mango.
- Reensamble el mango superior al mango inferior.
- Coloque los broches del cabello en los orificios interiores en las clavijas soldadas y fije la cuerda del arrancador según se instruye en la sección de Ensamblado.

Ajuste De La Altura De Corte

IMPORTANTE: Todas las ruedas deben colocarse en la **misma posición relativa**. Levante las ruedas de la cortadora para un corte bajo y baje las ruedas para un corte alto. Mueva la palanca de ajuste de altura a una posición más elevada, para céspedes duros o irregulares. Esto ayudará a evitar que se arranque el césped.

- En cada posición de la rueda hay una placa de ajuste y palanca accionada por el pulgar, para ajustar la altura de corte. Cada placa de ajuste tiene nueve posiciones de altura. La altura de corte cambiará si usted mueve la palanca accionada por el pulgar de un orificio al otro. Vea la Figura 17.
- Simplemente oprima la palanca hacia la rueda y mueva la rueda y el conjunto de la palanca a la posición deseada. Todas las ruedas deben colocarse en la misma posición relativa para una altura de corte uniforme.
- Para céspedes duros o irregulares, mueva las manijas de ajuste de altura a las posiciones que proveerán una altura de corte mayor. Las manijas delanteras y posteriores deben colocarse en la misma posición relativa.

Palanca de ajuste de altura de la rueda delantera

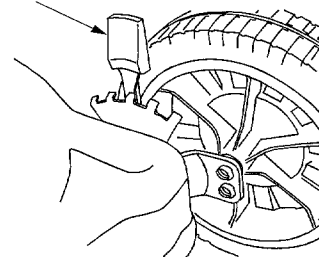


Figura 17

ALMACENAMIENTO

Prepare su cortadora para almacenamiento al final de la temporada o si no la usará durante 30 días o más. Almacene la cortadora en un área seca y limpia.

Cortadora

- Limpie la parte inferior de la cortadora siguiendo las instrucciones de la sección de Mantenimiento de este manual.
- Inspeccione y reemplace/afile la cuchilla, si es requerido. Para instrucciones sobre el cuidado de la cuchilla, refiérase a la sección de Mantenimiento de este manual.
- Lubrique la cortadora siguiendo la tabla de lubricación en la Figura 13 de este manual.
- Usted puede plegar el mango de su cortadora para un almacenamiento conveniente según se muestra en la Figura 18.
 - a. Extraiga la cuerda del arrancador de la guía de la cuerda.
 - b. Afloje las dos perillas manuales de los lados del mango, y permita que el mango superior se pliegue hacia atrás.
 - c. Mueva los broches del cabello al orificio exterior en las clavijas soldadas en los soportes de montaje del mango.
 - d. Despliegue los lados del mango inferior y empuje hacia adelante y hacia abajo.

NOTA: Cuando pliegue el mango para almacenamiento o transporte, sea precavido en no doblar o presionar los cable.

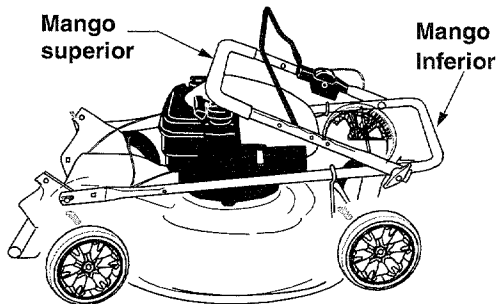


Figura 18

Motor

IMPORTANTE: Es importante prevenir que se formen depósitos de goma en piezas esenciales del sistema de combustible tales como el carburador, el filtro de combustible, la manguera de combustible o el tanque durante el almacenamiento. También la experiencia indica que los combustibles mezclados con alcohol (llamados gasohol o que usan etanol o metanol) pueden atraer la humedad lo que resulta en la separación y formación de ácidos durante el almacenamiento.

El gas ácido puede dañar el sistema de combustible del motor mientras está en almacenamiento.

Drene el sistema de combustible y el carburador



ADVERTENCIA: Drene el combustible en un recipiente aprobado al aire libre **alejado de llamas expuestas**. Asegúrese que el motor esté frío. **No fume.**

- Drene el tanque de combustible.
- Arranque el motor y permita que funcione hasta que estén vacíos las tuberías de combustible y el carburador.
- Aflojar unas pocas vueltas el tornillo del drenaje de la taza. El tornillo de drenaje de la taza está ubicado debajo del carburador. Ver la Figura 19. No extraer completamente el tornillo. Drenar el carburador.

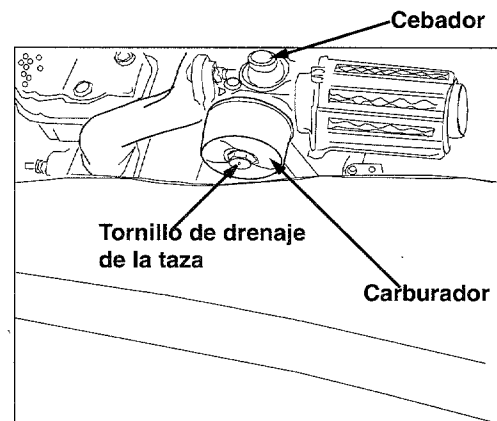


Figura 19

NOTA: Si usa estabilizador de combustible no drene el carburador.



ADVERTENCIA: Nunca use productos limpiadores del motor o del carburador en el tanque de combustible ya que puede ocurrir un **daño permanente**.

- Use combustible fresco la próxima temporada.

Use estabilizador de combustible.

NOTA: El estabilizador de combustible es una alternativa aceptable para minimizar la formación de depósitos de goma del combustible durante el almacenamiento.

- Agregue el estabilizador a la gasolina en el tanque de combustible o recipiente de almacenamiento.
- Siempre siga la proporción de mezcla de combustible indicada en el recipiente del estabilizador.

- Después de agregar estabilizador haga funcionar el motor durante 10 minutos por lo menos, para permitir que el estabilizador llegue al carburador.
- No drene el tanque de combustible ni el carburador si usa el estabilizador de combustible. Drene todo el aceite del cárter (esto debe hacerse después que ha funcionado el motor y está todavía caliente) y llene el cárter con aceite fresco.

Interior del cilindro de aceite

Después de haber drenado el tanque de combustible, proteja el interior del motor como sigue.

- Extraiga la bujía, vierta una onza aproximadamente (30 ml) de aceite de motor, dentro del orificio de la bujía y trate de arrancar lentamente para distribuir el aceite.



ADVERTENCIA: Evite el rociado desde el orificio de la bujía, al intentar arrancar lentamente el motor.

- Vuelva a colocar la bujía, no conecte el cable de la bujía.

Cambio de aceite

- Cambie el aceite si no se ha cambiado en los últimos tres meses. Refiérase a la sección de Mantenimiento de este Manual para las instrucciones acerca de como cambiar el aceite.

Limpieza del motor

- Limpie el motor y extraiga los recortes de césped, tierra o paja del exterior del motor.
- Limpie la tierra o los desechos de las aletas de enfriamiento, pantalla de toma de aire, palancas y acople.

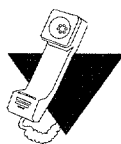
Otro

- No almacene gasolina de una temporada para otra.
- Reemplace la gasolina si su recipiente comienza a oxidarse. La oxidación y/o suciedad en la gasolina causarán problemas. Almacene la unidad en un área limpia y seca. No almacene cerca de materiales corrosivos tales como fertilizantes.

NOTA: *Si se almacena en una casilla no ventilada o de metal, asegúrese de proteger el equipo contra el óxido, recubriéndolo con un aceite liviano o siliconas.*

TABLA DE LOCALIZACION DE FALLAS

Problema	Causa(s) posible	Accion Correctora
El motor no arranca	<ol style="list-style-type: none"> 1. Está desenganchado el mango de control de la cuchilla 2. Está desconectado el cable de la bujía 3. Tanque vacío de combustible o combustible rancio 4. Tubería de combustible bloqueada 5. Bujía defectuosa 	<ol style="list-style-type: none"> 1. Enganche el mango de control de la cuchilla 2. Conecte el cable a la bujía. 3. Llene el tanque con combustible fresco y limpio. 4. Limpie la tubería de combustible. 5. Limpie, ajuste la separación o reemplace
Funcionamiento errático	<ol style="list-style-type: none"> 1. Está flojo el cable de la bujía 2. Tubería de combustible bloqueada o combustible rancio 3. Está taponado el ventiladero en la tapa de gasolina 4. Agua o suciedad en el sistema de combustible 5. Filtro sucio de aire 	<ol style="list-style-type: none"> 1. Conecte y ajuste el cable de la bujía. 2. Limpie la tubería de combustible, llene el tanque con gasolina limpia y fresca. 3. Despeje el ventiladero 4. Drene el tanque de combustible. Vuelva a llenar con combustible fresco 5. Limpie el filtro de aire. Refiérase a la sección de Mantenimiento de este manual.
El motor se sobrecalienta	<ol style="list-style-type: none"> 1. Bajo nivel del aceite del motor 2. Flujo de aire obstaculizado 	<ol style="list-style-type: none"> 1. Llene el cárter con aceite adecuado. 2. Limpie el motor de la cortadora de césped.
Salto ocasional (vacila) a alta velocidad	<ol style="list-style-type: none"> 1. Separación demasiado pequeña de la bujía 	<ol style="list-style-type: none"> 1. Ajuste la separación a .030"
Funciona mal en vacío	<ol style="list-style-type: none"> 1. Bujía sucia, defectuosa o demasiada separación 2. Filtro sucio 	<ol style="list-style-type: none"> 1. Reajuste la separación a .030 pulgadas o reemplace la bujía. 2. Limpie el filtro de aire siguiendo las instrucciones en la página 37.
Vibración excesiva	<ol style="list-style-type: none"> 1. Cuchilla de corte floja o desequilibrada 2. Cuchilla de corte doblada 3. Cigüeñal del motor doblado 	<ol style="list-style-type: none"> 1. Ajuste la cuchilla y el adaptador, equilibre la cuchilla. 2. Reemplace la cuchilla. 3. Consulte con su Centro de Servicio SEARS.
La cortadora no acolchará el césped	<ol style="list-style-type: none"> 1. Césped mojado 2. Césped excesivamente alto 3. Cuchilla desafilada 	<ol style="list-style-type: none"> 1. Espere hasta más tarde para cortar. 2. Corte una vez a una altura elevada de corte, a continuación corte nuevamente a la altura deseada. Reduzca el ancho de la banda de corte (1/2). No corte más que 1/3 del ancho total. 3. Afíle o reemplace la cuchilla
Corte irregular	<ol style="list-style-type: none"> 1. Las ruedas no están en la misma posición de altura 2. Cuchilla desafilada 	<ol style="list-style-type: none"> 1. Coloque todas las cuatro ruedas en la misma posición relativa de altura. 2. Afíle o reemplace la cuchilla.



Por favor consulte con su centro de servicio SEARS más cercano para reparaciones más importantes que los ajustes menores listados arriba. Llamar 1-800-4-MY-HOME (1-800-469-4663).

**In U.S.A. or Canada
for in-home major brand repair service:**

Call 24 hours a day, 7 days a week

1-800-4-MY-HOMESM (1-800-469-4663)

Para pedir servicio de reparación a domicilio — 1-800-676-5811

Au Canada pour tout le service ou les pièces — 1-800-469-4663

For the repair or replacement parts you need:

Call 6 a.m. — 11 p.m. CST, 7 days a week

PartsDirectSM

1-800-366-PART (1-800-366-7278)

Para ordenar piezas con entrega a domicilio — 1-800-659-7084

For the location of a Sears Service Center in your area:

Call 24 hours a day, 7 days a week

1-800-488-1222

To purchase or inquire about a Sears Maintenance Agreement:

Call 7 a.m. — 5 p.m. CST, Monday — Saturday

1-800-827-6655



Free Manuals Download Website

<http://myh66.com>

<http://usermanuals.us>

<http://www.somanuals.com>

<http://www.4manuals.cc>

<http://www.manual-lib.com>

<http://www.404manual.com>

<http://www.luxmanual.com>

<http://aubethermostatmanual.com>

Golf course search by state

<http://golfingnear.com>

Email search by domain

<http://emailbydomain.com>

Auto manuals search

<http://auto.somanuals.com>

TV manuals search

<http://tv.somanuals.com>