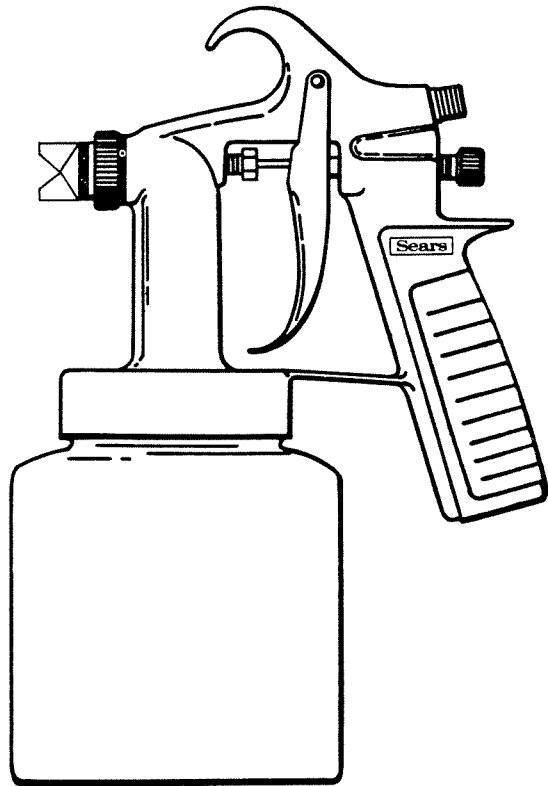


SEARS

**OWNERS
MANUAL**

MODEL NO.
919.155100

IMPORTANT:
Read the Safety Guidelines
and All Instructions
Carefully Before Operating.



CRAFTSMAN SPRAY GUN

**INSTALLATION
OPERATION
MAINTENANCE
PARTS LIST**

Sears, Roebuck and Co., Chicago, IL 60684 U.S.A.

TABLE OF CONTENTS

	Page
WARRANTY	3
SAFETY GUIDELINES	3
WARNING CHART	4
GENERAL INFORMATION	5
Spray Gun	5
Air Caps	5
PREPARATION FOR SPRAYING	5
OPERATION	6
MAINTENANCE	7
HINTS FOR GOOD SPRAYING RESULTS	7
TROUBLESHOOTING GUIDE	8
SPRAY GUN DIAGRAM	10
PARTS LIST	11
OPTIONAL ACCESSORIES	11
HOW TO ORDER REPAIR PARTS	12

FULL ONE YEAR WARRANTY CRAFTSMAN SPRAY GUNS

If this Craftsman Spray Gun fails due to a defect in material or workmanship within one year from the date of purchase, RETURN IT TO THE NEAREST SEARS SERVICE CENTER/DEPARTMENT THROUGHOUT THE UNITED STATES AND SEARS WILL REPAIR IT, FREE OF CHARGE.

This warranty gives you specific legal rights and you may also have other rights which vary from state to state.

Sears, Roebuck and Co., Sears Tower, Dept. 698/731CR-W, Chicago, IL 60684

SAFETY GUIDELINES

This manual contains information that is important for you to know and understand.

This information relates to YOUR SAFETY and PREVENTING EQUIPMENT PROBLEMS.

To help you recognize this information, we use the following symbols. Please read the manual and pay attention to those sections.



IMPORTANT SAFETY INFORMATION – A HAZARD THAT *MIGHT* CAUSE SERIOUS INJURY OR LOSS OF LIFE.



Information for preventing damage to equipment.

Note

Information that you should pay special attention to.



**HAZARDS CAN OCCUR DURING NORMAL USE OF THIS EQUIPMENT.
PLEASE READ THE FOLLOWING CHART**

WHAT TO LOOK FOR	WHAT COULD HAPPEN	HOW TO PREVENT IT
Flammable Spray Materials	When paints or materials are sprayed, they are broken into very small particles and mixed with air. This will cause certain paints and materials to become extremely flammable.	Never spray near open flames or pilot lights in stoves or heaters. Never smoke while spraying. Provide ample ventilation when spraying indoors.
Toxic Vapors	Some paints and coatings may be harmful if inhaled or allowed to come into contact with skin or eyes.	Use a mask or respirator if there is a chance of inhaling toxic sprayed materials. Masks and respirators have limits and will only provide protection against some kinds and limited amounts of toxic materials. Read mask and respirator instructions carefully. Consult with a safety expert or industrial hygienist if you are not sure about the use of a certain mask or respirator.
Compressed Air	Compressed air may propel dirt, metal shavings, etc. and possibly cause an injury.	Never point any nozzle or sprayer toward a person or part of the body. Always wear safety goggles or glasses when spraying.
Pressurized Parts	Certain parts are under pressure whenever the gun is connected to a pressurized air line. These parts may be propelled if the gun is disassembled.	Disconnect the gun from the air line, or completely depressurize the air line whenever the gun is to be disassembled.
Explosion Hazard – Incompatible Materials	The solvents 1,1,1-Trichloroethane and Methylene Chloride can chemically react with the aluminum used in most spray equipment, and this gun and cup, to produce an explosion hazard.	Read the label or data sheets for the material you intend to spray. 1. Do not use any type of spray coating material containing these solvents. 2. Do not use these solvents for equipment cleaning or flushing. 3. If in doubt as to whether a material is compatible – contact your material supplier.

GENERAL INFORMATION

SPRAY GUN

This Craftsman Spray Gun is a bleeder type spray gun with an external mix air cap. The paint cup has a 1 quart capacity. Air flow through the spray gun is continuous, with only the flow of paint controlled by the trigger. Bleeder operation is recommended when used with continuously running portable air compressors.

Note

This gun is designed for use with most finishing materials. It is not designed for use with corrosive or highly abrasive materials. Using these materials can lead to poor performance and/or failure of this product.

External Mix Air Cap – The air and material are mixed outside the air cap. This type of cap is best suited for quick drying paints, such as Latex, lacquers, etc.

Fluid/Fan adjustment – To increase volume of material, turn fluid needle adjusting screw (Ref #) counterclockwise. To decrease, turn clockwise. Increasing volume of material will also increase fan pattern size when using a fan pattern air cap.

PREPARATION FOR SPRAYING

The spray gun should be flushed with solvent prior to spraying with paint.

The fluid needle packing (11) in this gun may be loose when received. Tighten the packing retainer (12) until it binds and holds the fluid needle (8), then back off the packing retainer (approx. ¼ turn) until the fluid needle is able to travel into the fluid tip (3).

Be sure the surface to be sprayed is dry and free of all dirt, grease, oil and loose paint. Mix and prepare the paint according to the manufacturer's instructions. The use of a Sears viscosimeter can be very helpful. Strain the material to be sprayed through a 60 to 90 mesh screen or equivalent.

Read and follow the safety precautions on page 4 before you begin.

OPERATION

Shut off fluid flow through gun by turning fluid needle adjusting screw (10) clockwise as far as it will go. Do not force.

Keep the air pressure as low as possible. Set pressure to 40 psi as a starting point.

WARNING

**RISK OF INJURY OR EQUIPMENT DAMAGE.
DO NOT EXCEED 50 PSIG AT ANY TIME.**

3. Hold the trigger (5) back and gradually open the fluid needle adjusting screw (10) until a desired pattern is obtained.
4. Trigger the gun quickly, one second on-off. Spray a small test pattern.
5. If the gun sprays too fast (runs or sags), lower the air and fluid pressure. If too slow, increase pressure. Adjust to balance pressure.

MAINTENANCE

Thoroughly clean the spray gun after each use.

Turn off air supply, and remove cup from lid.

Empty the material from cup and rinse with a clean solvent (thinner).

Fill cup with solvent and attach to the lid assembly.

Note

Always clean with reduced air pressure. An air pressure no greater than 15 to 20 PSI will allow quick and thorough cleaning of the cup and gun.

4. Turn on the air supply and spray solvent through the spray gun. While spraying, shake the gun up and down to remove all excess material from the lid. Repeat Steps 1-4 above with a clean solvent until all traces of material are removed.
5. Turn off air supply to gun.
6. To clean the vent orifice and interior of lid, the gun body assembly must be removed and wiped with solvent. This is easily accomplished by unscrewing the cup.
7. Wipe the outside of the spray gun and cup with a solvent soaked cloth. **DO NOT IMMERSER THE GUN IN SOLVENT – THIS WILL WASH OUT THE LUBRICANTS AND DRY OUT THE PACKINGS.**
8. To clean the air cap and fluid tip, remove them, soak in suitable solvent and wipe clean with a clean cloth. If the holes are plugged, use a wooden toothpick to remove

any material particles. NEVER use a needle or any other metal object as this may damage the holes and result in imperfect spray patterns. When reassembling the fluid tip take care not to overtighten (5-10 in. lb. torque is recommended) or cross thread the fluid tip into the gun body.

Note

If water is used as a solvent to clean the gun, spray paint thinner or mineral spirits through the gun after cleaning to remove any excess moisture and protect parts.

After cleaning the spray gun, apply a few drops of light household oil to the fluid needle (8) next to the packing retainer (12). All springs should be given a coating of light grease periodically.

HINTS FOR GOOD SPRAYING RESULTS




- Hold the gun perpendicular to the surface, 6" to 8" distance.
- Follow contour.
- Overlap each stroke 50%.
- Ends are feathered by triggering. That is, begin stroke before pulling trigger and releasing just before ending the stroke.
- Spray edges and corners first. This will reduce over-spray while providing good coverage on corners.
- Don't arc strokes, move the gun parallel to work.

Your pattern should normally be shaped like this.



If not, see Troubleshooting guide below.

TROUBLESHOOTING GUIDE

PROBLEM	CAUSE	CORRECTION
Heavy top or bottom pattern. 	Material build-up on air cap or fluid tip. Partially plugged horn holes, center holes or fluid tip hole.	Determine where material build-up is by inverting cap and test spraying. If pattern shape stays in same position, the condition is caused by material build-up on fluid tip. If pattern changes with cap movement, the condition is in the air cap. Soak cap or tip in suitable solvent and wipe clean. To clean orifices use a broom straw or toothpick. Never use a wire or hard instrument. This damages holes and distorts spray pattern.
Heavy center pattern. 	Too much material.	Reduce fluid flow or increase air pressure.
Split spray pattern. 	Material too thick. Not enough material.	Thin material. Reduce air pressure or increase fluid flow.

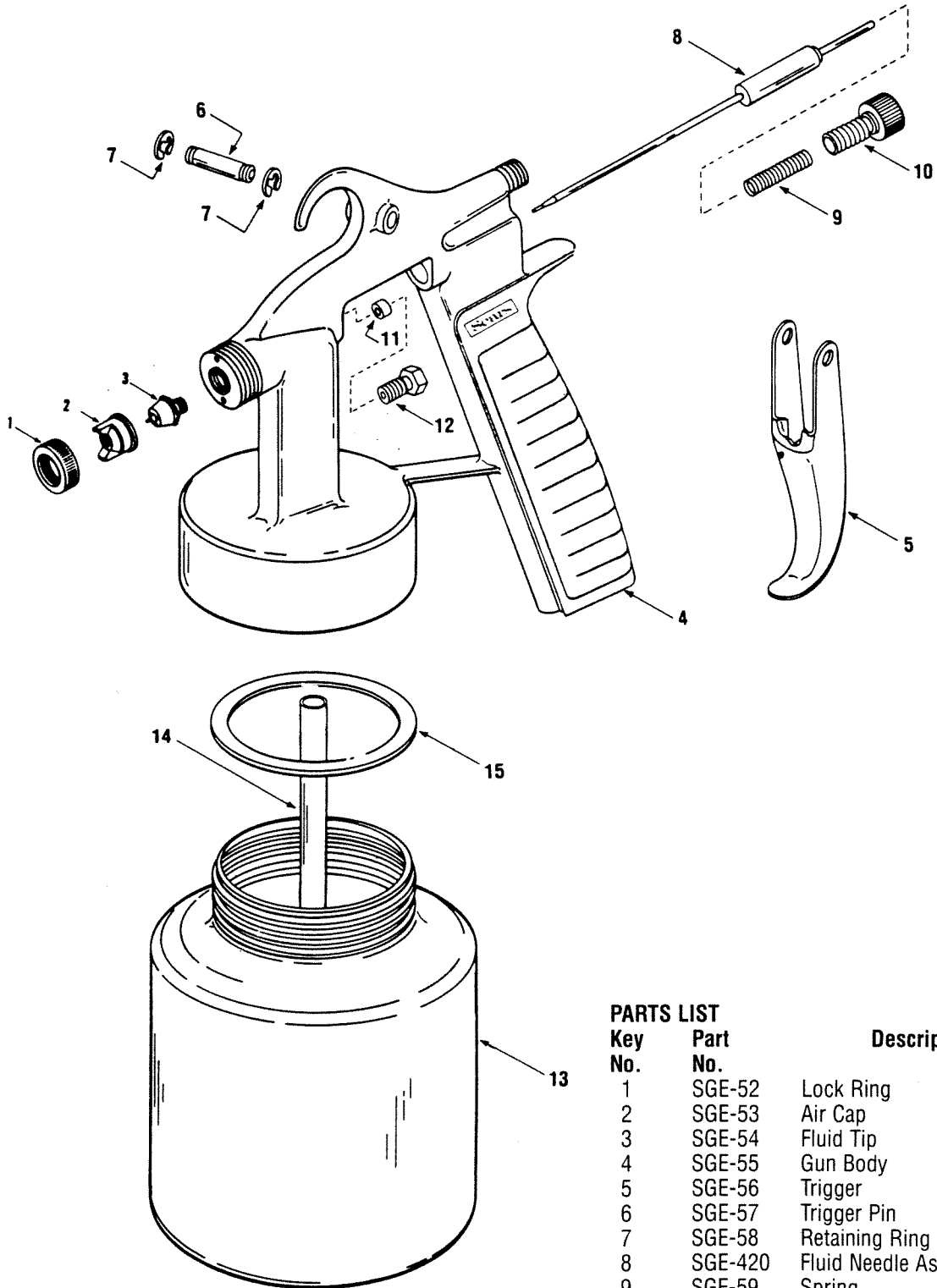
WARNING

RISK OF INJURY OR EQUIPMENT DAMAGE. DO NOT EXCEED 50 PSIG AT ANY TIME.

TROUBLESHOOTING GUIDE (Cont'd)

PROBLEM	CAUSE	CORRECTION
Improper spray pattern.	Gun improperly adjusted.	Readjust gun following instructions carefully.
	Dirty air cap.	Clean air cap.
	Fluid tip obstructed.	Clean.
	Sluggish needle.	Lubricate.
Will not spray.	No air pressure at gun.	Check air lines.
	Screw not open enough.	Open fluid adjusting screw.
Fluid leakage from packing strainer nut.	Packing nut loose.	Tighten, but not so tight as to grip needle.
	Packing worn or dry.	Replace packing or lubricate. See "Maintenance."
Dripping from fluid tip.	Dry packing.	Lubricate. See page 5.
	Sluggish needle.	Lubricate. See page 5.
	Loose fluid adjusting screw.	Tighten fluid adjusting screw (10).
	Tight packing nut.	Adjust. See page 4.
Runs and sags.	Too much material for spray pace.	Reduce pressure and readjust.
	Material too thin.	Remix or spray light coats.
	Gun tilted on an angle.	Hold gun at right angle to work.
Excessive overspray.	Too much atomization air pressure.	Reduce pressure.
	Gun too far from surface.	Check distance. See "Hints for Good Spraying Results" on page 5.
	Improper stroking, i.e., arcing, moving too fast.	Move at moderate pace, parallel to work surface. See "Hints for Good Spraying Results" on page 5.
Excessive fog.	Too much or quick drying thinner.	Remix.
	Too much atomization air pressure.	Reduce.
Thin, sandy coarse finish drying before it flows out.	Gun too far from surface.	Move gun closer to surface. See "Hints for Good Spraying Results" on page 5.
	Too much air pressure.	Reduce pressure.
	Improper thinner.	Follow paint manufacturer's instructions.
Thick dimpled finish "orange shell." Too much material heavily atomized.	Gun too close to surface.	Move gun away from the surface. See "Hints for Good Spraying Results" on page 5.
	Air pressure too low.	Increase air pressure or reduce fluid pressure.
		WARNING
		RISK OF INJURY OR EQUIPMENT DAMAGE. DO NOT EXCEED 50 PSIG AT ANY TIME.
	Improper thinner.	Follow paint manufacturer's instructions.
	Material not thoroughly mixed.	Mix thoroughly.
	Surface rough, oily, dirty.	Properly clean and prepare surface.

PARTS DRAWING



PARTS LIST

Key No.	Part No.	Description
1	SGE-52	Lock Ring
2	SGE-53	Air Cap
3	SGE-54	Fluid Tip
4	SGE-55	Gun Body
5	SGE-56	Trigger
6	SGE-57	Trigger Pin
7	SGE-58	Retaining Ring
8	SGE-420	Fluid Needle Assembly
9	SGE-59	Spring
10	SGE-60	Fluid Adjusting Screw
11	SGE-61	Fluid Needle Packing
12	SGE-62	Needle Packing Screw
13	SGE-63	Container - 1 Qt.
14	SGE-64	Fluid Tube
15	SGE-65	Container Gasket

PARTS NOT ILLUSTRATED

SI-2-43-9 Owners Manual

SEARS

OWNERS MANUAL

SERVICE

MODEL NO.
919.155100

HOW TO ORDER
REPAIR PARTS

CRAFTSMAN SPRAY GUN

Now that you have purchased your Craftsman Spray Gun, should a need ever exist for repair parts or service, simply contact any Sears Service Center and most Sears, Roebuck and Co. stores. Be sure to provide all pertinent facts when you call or visit.

The model number of your Craftsman Spray Gun will be found stamped on the gun handle. Always mention the model number in all correspondence when ordering repair parts.

WHEN ORDERING REPAIR PARTS, ALWAYS GIVE THE FOLLOWING INFORMATION:

- PART NUMBER
- PART DESCRIPTION
- MODEL NUMBER
- NAME OF ITEM

All parts listed may be ordered from any Sears Service Center and most Sears stores.

If the parts you need are not stocked locally, your order will be electronically transmitted to a Sears Repair Parts Distribution Center for handling.

Sears, Roebuck and Co., Chicago, IL 60684 U.S.A.

Free Manuals Download Website

<http://myh66.com>

<http://usermanuals.us>

<http://www.somanuals.com>

<http://www.4manuals.cc>

<http://www.manual-lib.com>

<http://www.404manual.com>

<http://www.luxmanual.com>

<http://aubethermostatmanual.com>

Golf course search by state

<http://golfingnear.com>

Email search by domain

<http://emailbydomain.com>

Auto manuals search

<http://auto.somanuals.com>

TV manuals search

<http://tv.somanuals.com>