



UPRIGHT VACUUM CLEANER

REPAIR PARTS LIST

Model No.

116.35922500

116.35923500

To Call
Toll Free
For Parts:

1-800-366-PART
(1-800-366-7278)

For Service

1-800-4-MY-HOME
(1-800-469-4663)

PACKAGING LIST

Your KENMORE VACUUM CLEANER is packaged with the following parts and components assembled separately in the carton

- | | |
|--------------------------|-------------------|
| 1 Upright Vacuum Cleaner | 1 Handle |
| 1 Combination Brush | 1 Owners Manual |
| 1 Crevis Tool | 1 Parts List |
| 1 Telescopic Wand | 1 Handi-Mate Jr.® |
| 1 Extension Wand | 1 Floor Brush |

Each of the above assemblies are shown in detail inside this repair parts list.

The model number of your vacuum is found on the serial plate on the back of the unit.

All repair parts listed are available for immediate purchase or special order when you visit your nearest Sears Service Center, or the Service Department at most Sears stores. To order parts by phone, call the toll free parts number listed to the left.

When requesting service or ordering parts, always provide the following information:

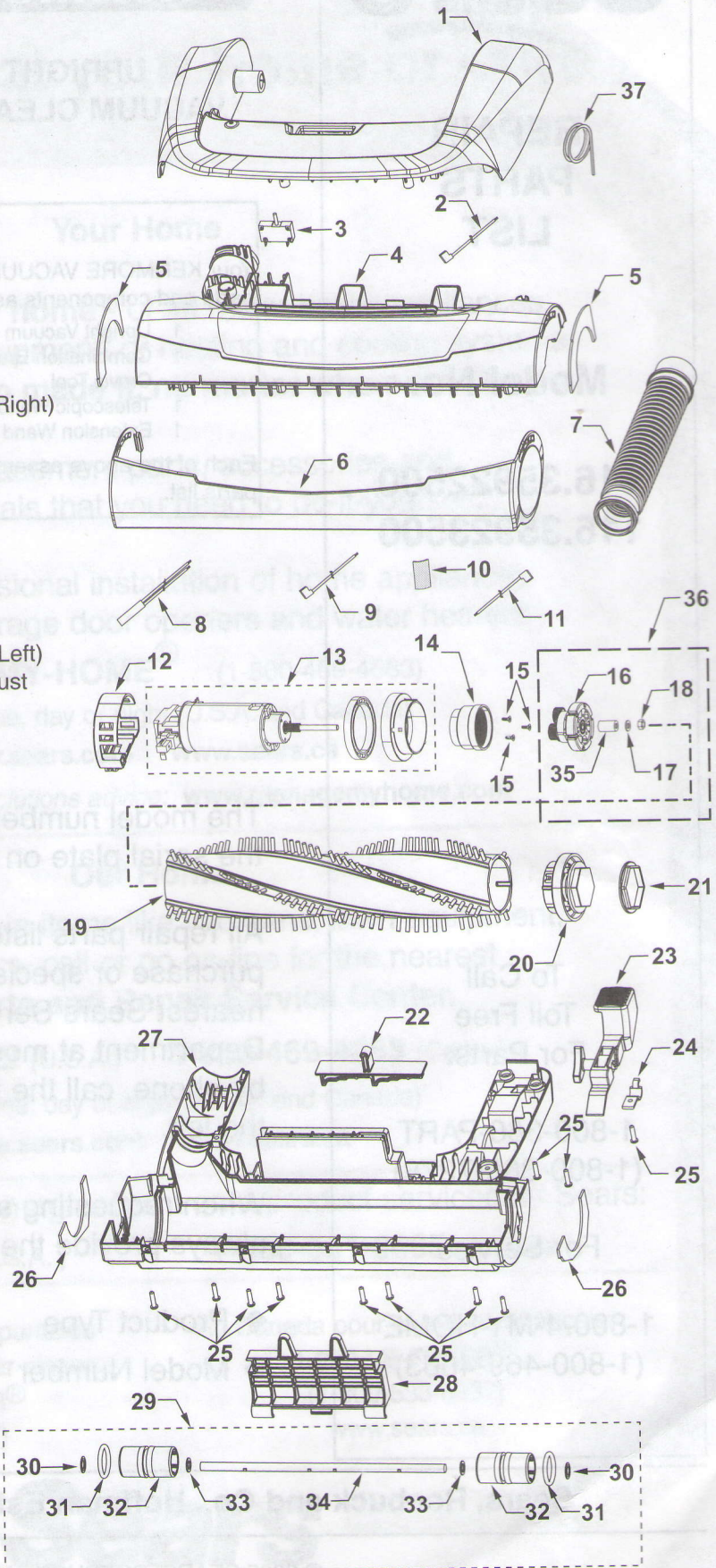
- ◆ Product Type
- ◆ Model Number
- ◆ Part Number
- ◆ Part Description

Sears, Roebuck and Co., Hoffman Estates, IL 60179 U.S.A.

NOZZLE PARTS

For Model: 116.35922500, 116.35923500

| Illus. No. | Part No. | DESCRIPTION |
|------------|---------------------|------------------------------|
| 1 | KC01ACRCZCU7 | Nozzle Housing |
| 2 | 488887 | Lead Wire |
| 3 | KC76KCJNZ000 | Overload Protector |
| 4 | KC02ACHDZVUS | Upper Body |
| 5 | KC11ACHDZ000 | Felt Seal, Upper |
| 6 | KC10ACHDZV06 | Furniture Guard |
| 7 | KC34PCHDZV06 | Nozzle Hose |
| 8 | 8192229 | Thermal Protector Unit |
| 9 | 8192239 | Lead Wire, Brown |
| 10 | KC02LBBRZ000 | Filter |
| 11 | 8192240 | Lead Wire, Blue |
| 12 | 8192221 | Motor Support Rubber (Right) |
| 13 | 8192267 | Motor Assembly |
| 14 | 8174945 | Internal Gear |
| 15 | 8174944 | Screw |
| 16 | KC83CCHDZ000 | Gear Unit |
| 17 | 8174928 | Washer |
| 18 | 8192278 | Nut |
| 19 | KC56RCRCZ000 | Agitator Tube, Tufted |
| 20 | 8192279 | End Cap Unit |
| 21 | 8174908 | Motor Support Rubber (Left) |
| 22 | KC57HCHDZV06 | Sliding Knob Height Adjust |
| 23 | KC47ACRCZV07 | Pedal |
| 24 | 8174907 | Pedal Plate |
| 25 | 4368563 | Screw |
| 26 | KC11ACHEZ000 | Felt Seal, Lower |
| 27 | KC27ACHDZV07 | Lower Plate |
| 28 | KC34HCHDZV07 | Height Adjust Actuator |
| 29 | 8192525 | Nozzle Roller Unit |
| 30 | NOT SERVICED | Spring, Round |
| 31 | 4370183 | Rubber Cushion |
| 32 | KC01CAVGZV06 | Wheel |
| 33 | NOT SERVICED | Washer |
| 34 | NOT SERVICED | Roller Shaft |
| 35 | KC53MCHDZ000 | Spacer |
| 36 | KC94UCHDZ000 | Gear Assembly |
| 37 | KC40RCRCZ000 | Spring |



* Available At Any Sears Retail Store

DUST COMPARTMENT AND MOTOR PARTS

For Model: 116.35922500, 116.35923500

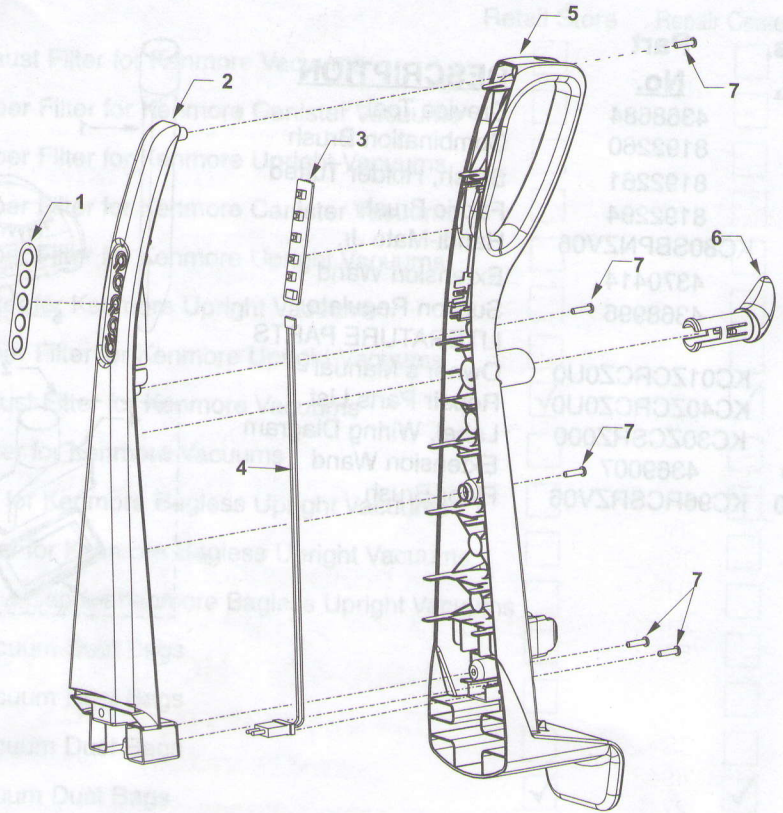
| Illus. No. | Part No. | <u>DESCRIPTION</u> | Illus. No. | Part No. | <u>DESCRIPTION</u> |
|---------------|--------------|--------------------------|---------------|--------------|------------------------|
| 1 | KC84PCRCZV06 | Hose Unit | 35 | KC74ECSRZ000 | Seal |
| 2 | 4368563 | Screw | 36 | KC55LCRCZ000 | Air Guide - Right |
| 3 | KC66PCSRZV07 | Tool Caddy | 37 | KC54LCRCZ000 | Air Guide - Left |
| 4 | KC11KCRCZV07 | Bag Supporter | 38 | KC48HCRCZCU7 | Dust Cover Door |
| 5 | KC68ECJNZ000 | Plug (Female) | 39 | KC92FCJNZ000 | Fan Motor |
| 6 | KC89VCSRZ000 | P.C.B. Microcontroller | 40 | KC10GCHDZ000 | Motor Enclosure |
| 7 | 4370575 | Suction Inlet Packing | 41 | KC99WCHDZ000 | Lead Assembly |
| 8 | 4369538 | Cord Stopper | 42 | KC43GCHEZ000 | Lead Wire, White |
| 9 | KC74KCRCZ000 | Dust Compartment Packing | 43 | KC38GCMSZ000 | Lead Wire, Red |
| 10 | KC70PCRCZV07 | Extension Wand Holder | 44 | KC48GCHEZ000 | Lead Wire, Brown |
| 11 | 4368653 | Main Switch - On/Off | 45 | KC41GCHDZ000 | Lead Wire, Blue |
| 12 | KC43GCHDZ000 | Lead Wire, White | 46 | KC48GCMTZ000 | Lead Wire, White/Black |
| 13 | KC48GCMSZ000 | Lead Wire, White/Red | 47 | 8191894 | Lead Wire, Black |
| 14 | KC40KCRCZV07 | Dust Container | 48 | KC38GCHEZ000 | Lead Wire, Yellow |
| 15 | KC47VCSRZ000 | Indicator Display | 49 | KC60KCRCZC07 | Dust Cover |
| 16 | KC08MCSRZ000 | Indicator Window | 50 | 8175134 | Power Cord |
| 17 | KC41KCRCZV07 | Filter Cover | 51 | KC02HCRCZV07 | Filter Door |
| 18 | KC87GCSRZ000 | Dirt Sensor | 52 | 4370408 | Protector Cover |
| 19 | KC53PCHEZV06 | Hose Hook | 53 | KC66KCRCZ000 | Dust Cover Packing |
| 20 | KC53PCHDZV07 | Hose Hook | 54 | KC93HCHEZ000 | Bulb Socket |
| 21 | 8175062 | Exhaust Filter | 55 | 8192266 | Bulb |
| | | *Sears No. 20-86889 | | | *Sears No. 20-5248 |
| | | Kenmore No. EF-1 | 56 | KC21HCHDZ000 | Window |
| 22 | KC74KCSVZ000 | Dust Compartment Packing | 57 | 4368522 | Wire Nut (Large) |
| 23 | 8174943 | Locking Cam | 58 | 8174824 | Wire Nut (Small) |
| 24 | 8192713 | Screw | 59 | 4370779 | Handle Screw |
| 25 | KC21TCRCZ000 | Label | 60 | KC13ECRCZ000 | Nozzle Spring Nut |
| 26 | 4369561 | Roller Shaft | 61 | KC16KCMPZ000 | Dust Bag |
| 27 | 4369562 | Washer | | | *Sears No. 50690 |
| 28 | 4370812 | Wheel | | | Kenmore No. O |
| 29 | 4369564 | Stopper Wheel | 62 | 4369572 | Secondary Filter |
| 30 | 4370429 | Protector | 63 | KC02FCJNZ000 | Motor Support, Rubber |
| 31 | KC70KBXZZY00 | Protector Spring | 64 | 4370574 | Vac Tube Switch |
| 32 | KC85VCJNZ000 | P.C.B. B Unit | 65 | KC62PAXKZ000 | Indicator Tube |
| 33 | KC45LCRCZ000 | Air Outlet Packing | | | |
| 34 | KC28LCSRZV07 | Air Outlet Guide | | | |

*Available at any Sears Retail Store

HANDLE PARTS

For Model: 116.35922500, 116.35923500

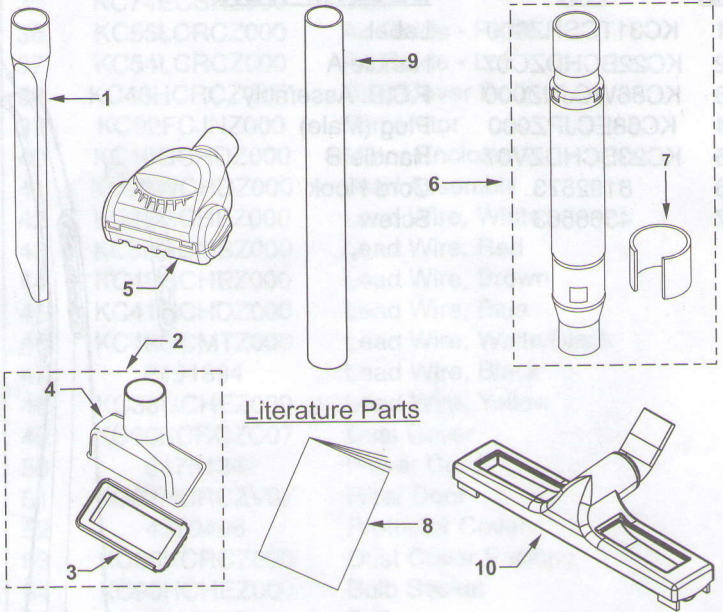
| Illus. No. | Part No. | DESCRIPTION |
|------------|--------------|-----------------|
| 1 | KC31TCSRZ000 | Label |
| 2 | KC22BCHDZC07 | Handle A |
| 3 | KC86WCJNZ000 | P.C.B. Assembly |
| 4 | KC68ECJPZ000 | Plug (Male) |
| 5 | KC23BCHDZV07 | Handle B |
| 6 | 8192573 | Cord Hook |
| 7 | 4368563 | Screw |



ATTACHMENT PARTS

For Model: 116.35922500, 116.35923500

| Illus. No. | Part No. | DESCRIPTION |
|------------|--------------|-----------------------|
| 1 | 4368684 | Crevice Tool |
| 2 | 8192260 | Combination Brush |
| 3 | 8192261 | Brush, Holder Tufted |
| 4 | 8192294 | Fabric Brush |
| 5 | KC80SBPNZV06 | Handi-Mate Jr. |
| 6 | 4370414 | Extension Wand |
| 7 | 4368996 | Suction Regulator |
| 8 | | LITERATURE PARTS |
| | KC01ZCRCZ0U0 | Owner's Manual |
| | KC40ZCRCZ0U0 | Repair Parts List |
| | KC30ZCSRZ000 | Label, Wiring Diagram |
| 9 | 4369007 | Extension Wand |
| 10 | KC96RCSRZV06 | Floor Brush |



List of Parts and Accessories Available for Purchase at Sears Stores and Parts and Repair Centers

| | Item No. | Style No. | | Available at Any Sears Retail Store | Available through Sears Parts and Repair Centers | |
|-------------|----------|-----------|--|-------------------------------------|--|--------------------------|
| Filters | 86880 | EF-2 | HEPA Exhaust Filter for Kenmore Vacuums | <input type="checkbox"/> | <input type="checkbox"/> | |
| | 86883 | CF-1 | Bag Chamber Filter for Kenmore Canister Vacuums | <input type="checkbox"/> | <input type="checkbox"/> | |
| | 86884 | CF-2 | Bag Chamber Filter for Kenmore Upright Vacuums | <input type="checkbox"/> | <input type="checkbox"/> | |
| | 86885 | CF-4 | Bag Chamber Filter for Kenmore Canister Vacuums | <input type="checkbox"/> | <input type="checkbox"/> | |
| | 86886 | --- | Bag Chamber Filter for Kenmore Upright Vacuums | <input type="checkbox"/> | <input type="checkbox"/> | |
| | 86887 | --- | Exhaust Filter for Kenmore Upright Vacuums | <input type="checkbox"/> | <input type="checkbox"/> | |
| | 86888 | CF-3 | Bag Chamber Filter for Kenmore Upright Vacuums | <input type="checkbox"/> | <input type="checkbox"/> | |
| | 86889 | EF-1 | HEPA Exhaust Filter for Kenmore Vacuums | <input checked="" type="checkbox"/> | <input checked="" type="checkbox"/> | |
| | 86890 | --- | Exhaust Filter for Kenmore Vacuums | <input type="checkbox"/> | <input type="checkbox"/> | |
| | 82720 | DCF-1 | Tower Filter for Kenmore Bagless Upright Vacuums | <input type="checkbox"/> | <input type="checkbox"/> | |
| | 82728 | --- | Primary Filter for Kenmore Bagless Upright Vacuums | <input type="checkbox"/> | <input type="checkbox"/> | |
| | 82912 | DCF-2 | Tower Filter w/Cap for Kenmore Bagless Upright Vacuums | <input type="checkbox"/> | <input type="checkbox"/> | |
| | Bags | 5055 | C | Canister Vacuum Dust Bags | <input type="checkbox"/> | <input type="checkbox"/> |
| | | 50557 | Q | Canister Vacuum Dust Bags | <input type="checkbox"/> | <input type="checkbox"/> |
| | | 50558 | C | Canister Vacuum Dust Bags | <input type="checkbox"/> | <input type="checkbox"/> |
| 50690 | | O | Upright Vacuum Dust Bags | <input checked="" type="checkbox"/> | <input checked="" type="checkbox"/> | |
| 50688 | | U | Upright Vacuum Dust Bags | <input type="checkbox"/> | <input type="checkbox"/> | |
| Attachments | 2405 | --- | Electric hose for canister vacuums | <input type="checkbox"/> | <input type="checkbox"/> | |
| | 2808 | --- | Electric hose canister vacuums | <input type="checkbox"/> | <input type="checkbox"/> | |
| | 52581 | --- | Super Reach-Out Extension Hose | <input checked="" type="checkbox"/> | <input checked="" type="checkbox"/> | |
| | 52631 | --- | Crevice Tool | <input checked="" type="checkbox"/> | <input checked="" type="checkbox"/> | |
| | 52641 | --- | Dusting Brush | <input checked="" type="checkbox"/> | <input checked="" type="checkbox"/> | |
| | 52651 | --- | Fabric Brush | <input checked="" type="checkbox"/> | <input checked="" type="checkbox"/> | |
| | 52682 | --- | Bare Floor Brush Accessory | <input checked="" type="checkbox"/> | <input checked="" type="checkbox"/> | |
| | 52050 | --- | Handi-Mate Jr.® Accessory for Kenmore Vacuums | <input type="checkbox"/> | <input type="checkbox"/> | |
| | 52040 | --- | Power-Mate Jr.® Accessory for Canister Vacuums | <input type="checkbox"/> | <input type="checkbox"/> | |
| | Bulbs | 5240 | --- | Bulb | <input type="checkbox"/> | <input type="checkbox"/> |
| 5248 | | --- | Bulb | <input checked="" type="checkbox"/> | <input checked="" type="checkbox"/> | |
| Belts | 5285 | CB-1 | Cogged Belt | <input type="checkbox"/> | <input type="checkbox"/> | |
| | 5201 | CB-2 | Whisperbelt for 14" Power-Mate® | <input type="checkbox"/> | <input type="checkbox"/> | |
| | 5215 | UB-7 | Rear Belt for Dual Agitator Upright | <input type="checkbox"/> | <input type="checkbox"/> | |
| | 5279 | UCB-1 | Flat belt for 12" Power-Mate® | <input type="checkbox"/> | <input type="checkbox"/> | |
| | 5275 | UB-1 | Belt for Kenmore Progressive Upright Vacuum | <input type="checkbox"/> | <input type="checkbox"/> | |
| Others | 50042 | --- | Scented Tablets (12 tablets per package) | <input type="checkbox"/> | <input type="checkbox"/> | |



Indicates availability at Sears and compatibility with your vacuum cleaner

Free Manuals Download Website

<http://myh66.com>

<http://usermanuals.us>

<http://www.somanuals.com>

<http://www.4manuals.cc>

<http://www.manual-lib.com>

<http://www.404manual.com>

<http://www.luxmanual.com>

<http://aubethermostatmanual.com>

Golf course search by state

<http://golfingnear.com>

Email search by domain

<http://emailbydomain.com>

Auto manuals search

<http://auto.somanuals.com>

TV manuals search

<http://tv.somanuals.com>