

SEARS OWNER'S MANUAL

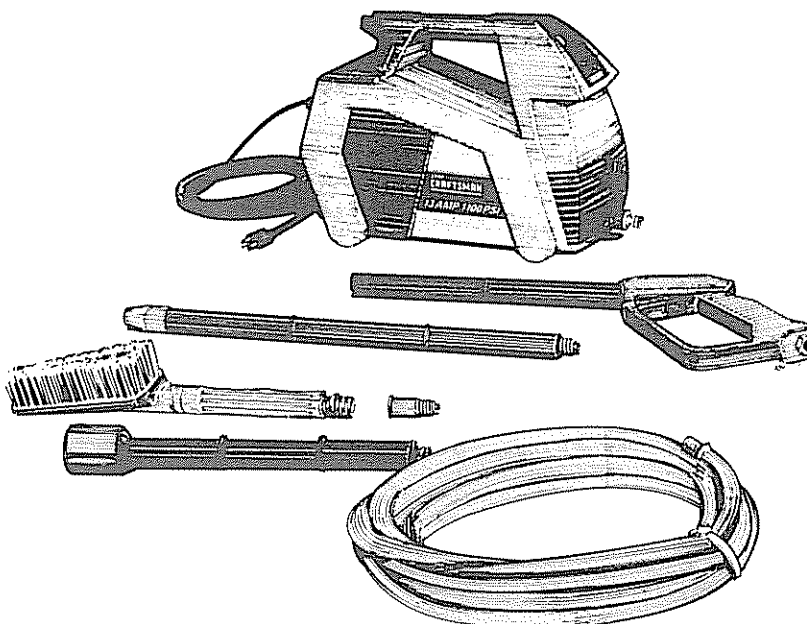
MODEL NO.

580.751330

**PRESSURE WASHER
CUSTOMER
HELPLINE
1-800-222-3136**

**HOURS:
Mon. - Fri. 8 a.m. to 5 p.m
(CST)**

**CAUTION:
Read and Follow
all Safety Rules
and Instructions
Before Operating
This Equipment**



CRAFTSMAN[®]

1100 PSI AT 1.6 GPM

ELECTRIC HIGH PRESSURE WASHER

DOUBLE INSULATED

- Assembly
- Operation
- Customer Responsibilities
- Service and Adjustment
- Repair Parts



SEARS, ROEBUCK and CO., Hoffman Estates, IL 60179 U.S.A.

IMPORTANT SAFETY INSTRUCTIONS

Save these instructions



WARNING

RISK OF ELECTROCUTION

- Inspect cord before every use. Do not use if cord is damaged.
- Keep all connections dry and off the ground.
- Do not touch plug with wet hands.
- Double-insulated — When servicing, use only identical replacement parts.
- This product shall only be connected to a power supply receptacle protected by a Ground Fault Circuit Interruptor (GFCI).
- Read instruction manual before using.



WARNING

When using this product, basic precautions should always be followed, including the following:

- Read all instructions before using the product

WARNING

To reduce the risk of injury, close supervision is necessary when product is used near children.

- Know how to stop the product and bleed the pressure quickly. Be thoroughly familiar with controls.
- Stay alert. Watch what you are doing.
- Do not operate the product when fatigued or under the influence of alcohol or drugs.
- Keep operating area clear of all persons.



WARNING

Risk of injury or injection to persons – Do not discharge stream at persons.

- High pressure hose can develop leaks from wear, kinking, abuse, etc. Water spraying from a leak is capable of injecting material into skin. Do not point the pressure washer spray at people or animals.
- Do not overreach or stand on unstable support. Keep good footing and balance at all times.
- Follow the maintenance instructions specified in the manual.
- This product shall only be connected to a power supply receptacle protected by a Ground Fault Circuit Interruptor (GFCI). This is done to comply with National Electrical Code (NFPA 70) and to provide additional protection from risk of electrical shock.
- Save these instructions.

TRAINING:

- Locate this pressure washer in areas away from combustible materials, combustible fumes or dust.
- Some chemicals or detergents may be harmful if inhaled or ingested, causing severe nausea, fainting or poisoning. The harmful elements may cause property damage or severe injury.
- Do not allow CHILDREN to operate the Pressure Washer at any time.

PREPARATION:

- Before starting the Pressure Washer in cold weather, check all parts of the equipment and be sure ice has not formed there.
- Units with broken or missing parts, or without protective housing or covers should NEVER be operated.

OPERATION:

- Do not spray flammable liquids.
- Never aim the gun at people, animals or plants.
- For household use. For indoor or outdoor use.
- High pressure stream of fluid that this equipment can produce can pierce skin and its underlying tissues, leading to serious injury and possible amputation.

- High pressure spray can cause paint chips or other particles to become airborne and fly at high speeds.
- Always wear eye protection when you use this equipment or when you are in vicinity where the equipment is in use.
- Operate the pressure at no more than the PSI fluid pressure rated for your pressure washer.
- Never move the machine by pulling on high pressure hose. Use the handle provided on the top of the unit.
- Use a respirator or mask whenever there is a chance that vapors may be inhaled. Read all instructions with the mask so you are certain the mask will provide the necessary protection against inhaling harmful vapors.
- High pressure spray may damage fragile items including glass. Do not point spray gun at glass when in the high pressure mode.
- Keep the hose connected to machine or the spray gun while the system is pressurized. Disconnecting the hose while the unit is pressurized is dangerous.
- Hold the spray gun firmly in your hand before you start the unit. Failure to do so could result in an injury from a whipping spray gun. Do not leave the spray gun unattended while the machine is running.
- Cleaning area should have adequate slopes and drainage to reduce possibility of a fall due to slippery surfaces.
- Keep water spray away from electric wiring or fatal electric shock may result.
- Do not by-pass any safety device on this machine.
- Do not leave gun in closed position for more than 5 minutes with pressure washer running. This could damage pump.


MAINTENANCE AND STORAGE:

- Operate and store this unit on a stable surface.
- Inspect hose each time before using it. Check all hoses for cuts, leaks, abrasions or bulging of cover, or damage or movement of couplings. If any of these conditions exist, replace hose immediately. Never repair high pressure hose. Replace it with another hose that meets minimum pressure rating of your pressure washer.
- Store in a clean, dry area. Ideally, the unit should be stored in a frost-free room.

SERVICING OF A DOUBLE-INSULATED PRODUCT

In a double-insulated product, two systems of insulation are provided instead of grounding. No means of grounding is provided on a double-insulated product, nor should a means for grounding be added.

Servicing a double-insulated product requires extreme care and knowledge of the system and should be done only by qualified service personnel. Replacement parts for a double-insulated product must be identical to the parts they replace. Use only genuine replacement parts. A double-insulated product is marked with the words "DOUBLE INSULATION" or "DOUBLE INSULATED".

The symbol  may also be marked on the product.

EXTENSION CORDS

Use only extension cords that are intended for outside use. These extension cords are identified by a marking "ACCEPTABLE FOR USE WITH OUTDOOR APPLIANCES; STORE INDOORS WHILE NOT IN USE." Use only extension cords having an electrical rating not less than the rating of the product. Do not use damaged extension cords. Examine extension cord before using and replace if damaged. Do not abuse extension cord and do not yank on any cord to disconnect it. Keep cord away from heat and sharp edges. Always disconnect the extension cord from the receptacle before disconnecting the pressure washer from the extension cord.



LOOK FOR THIS SYMBOL TO POINT OUT IMPORTANT SAFETY PRECAUTIONS. IT MEANS "ATTENTION!!! BECOME ALERT!!! YOUR SAFETY IS INVOLVED."

CONGRATULATIONS on your purchase of a Sears Craftsman high pressure washer. It has been designed, engineered and manufactured to give you the best possible dependability and performance.

Should you experience any problem you cannot easily remedy, please contact your nearest Sears Service Center/Department or call the 1-800 number listed on the front of this manual. We have competent, well-trained technicians and the proper tools to service or repair this unit.

Please read and retain this manual. The instructions will enable you to assemble and maintain your high pressure washer properly. Always observe the "SAFETY RULES."

OUTLET PRESSURE	1100 psi
FLOW RATE	1.6 gpm
DETERGENT MIX	Use undiluted detergent
DETERGENT RATIO	17.1
WATER SUPPLY TEMPERATURE	Not to exceed 104°F
MOTOR	Brush type (universal)
RATED VOLTAGE	120 volts
CURRENT	13 amperes

MODEL NUMBER 580.751330

SERIAL NUMBER _____

DATE OF PURCHASE _____

THE MODEL AND SERIAL NUMBERS WILL BE FOUND ON A DECAL ATTACHED TO THE PRESSURE WASHER.

YOU SHOULD RECORD BOTH SERIAL NUMBER AND DATE OF PURCHASE AND KEEP IN A SAFE PLACE FOR FUTURE REFERENCE.

MAINTENANCE AGREEMENT

A Sears Maintenance Agreement is available on this product. Contact your nearest Sears store for details.

CUSTOMER RESPONSIBILITIES

- Read and observe the safety rules.
- Follow regular schedule in maintaining, caring for and using your high pressure washer.
- Follow the instructions under "Customer Responsibilities" and "Storage" sections of this Owner's Manual.

FULL ONE YEAR WARRANTY ON CRAFTSMAN HIGH PRESSURE WASHER

For one year from the date of purchase, when this Craftsman High Pressure Washer is maintained and operated according to the instructions in the owner's manual, Sears will repair, free of charge, any defect in material and workmanship.

If this washer is used for commercial purposes, this warranty applies for only 90 days from the date of purchase. If this high pressure washer is used for rental purposes, this warranty applies for only 30 days after date of purchase.

This warranty does not cover:

Expendable items such as spark plugs and air filters, which become worn during normal use.

Repairs necessary because of operator abuse or negligence, including damage resulting from no water being supplied to pump or failure to maintain the equipment according to the instructions contained in the owner's manual.

WARRANTY SERVICE IS AVAILABLE BY RETURNING THE HIGH PRESSURE WASHER TO THE NEAREST SEARS SERVICE CENTER/DEPARTMENT THROUGHOUT THE UNITED STATES.

This warranty gives you specific legal rights and you may also have other rights, which vary from state to state.

SEARS, ROEBUCK AND CO., D/817 WA, Hoffman Estates, IL 60179

TABLE OF CONTENTS

SAFETY RULES	2	CUSTOMER RESPONSIBILITIES	10
PRODUCT SPECIFICATIONS	3	STORAGE	11
CONTENTS OF HARDWARE PACK.....	5	TROUBLESHOOTING.....	12
ACCESSORIES AND ATTACHEMENTS	5	REPLACEMENT PARTS.....	13-17
ASSEMBLY.....	6		
OPERATION.....	7-10		

INDEX

- A -

Accessories	5
Assembly	
Checklist	6
Removing from Carton	6
Set Up.....	6

- B -

Before starting	9
Before each use	10

- C -

Cleaning Tips	10
Customer Responsibilities . . .	3,10
Check washer components . . .	10

- E -

Electrical supply	9
Extension cords	9
Extensions, wand	8

- G -

Ground Fault	
Gun and Wand Assembly. . .	6-8

- H -

Hardware Pack	5
High Pressure Hose.....	6, 7

- M -

Maintenance Agreement	3
Nozzle	11

- N -

Nozzle, adjustable	8
--------------------------	---

- O -

Operation	
Detergent Application	9
Know Your Pressure Washer . . .	7
Stopping.....	8
To Turn on Washer	9
Order Parts	back page

- R -

Replacement Parts.....	13-17
------------------------	-------

- S -

Safety Rules	2
Siphoning	10
Specifications	3
Storage	11

- T -

Troubleshooting	12
-----------------------	----

- U -

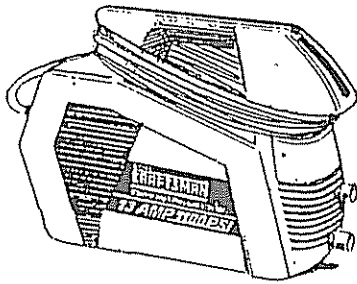
Utility brush.....	7, 8
--------------------	------

- W -

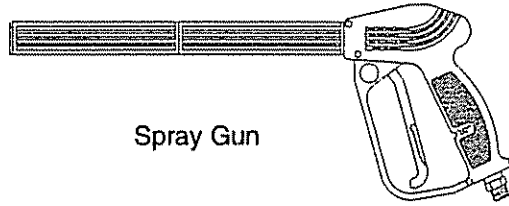
Warranty.....	3
---------------	---

CONTENTS OF HARDWARE PACK

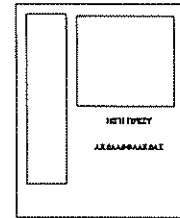
Parts packed separately in carton



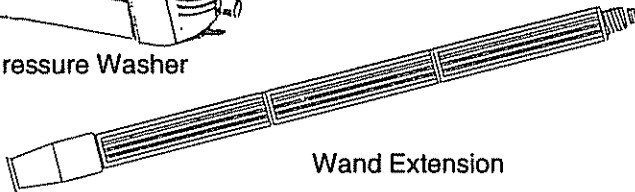
High Pressure Washer



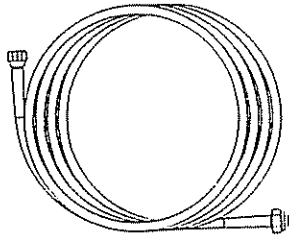
Spray Gun



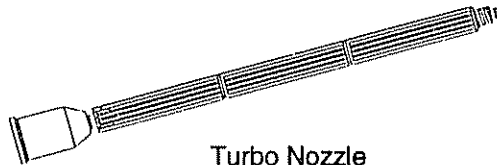
Owner's Manual



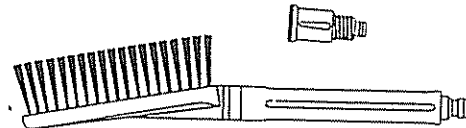
Wand Extension



High Pressure Hose



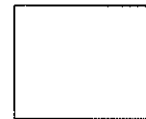
Turbo Nozzle



Utility Brush and Adaptor



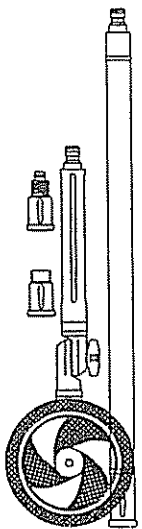
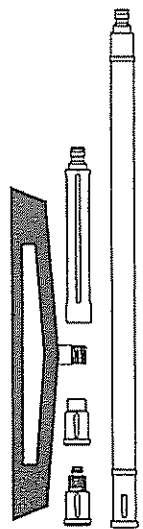

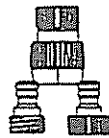
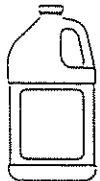
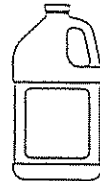
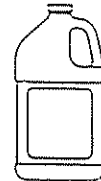
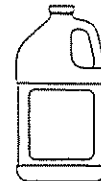
Quick-Connect



Cleaning Kit

ACCESSORIES AND ATTACHMENTS

These accessories and attachments were available when the high pressure washer was purchased. They are also available at most Sears retail outlets and service centers. Most Sears stores can order these items for you when you provide the model number of your high pressure washer. Some of these accessories may not apply to your pressure washer.

 <p>ROTATING BRUSH KIT 71-75199</p>	 <p>FLOOR/SIDING BRUSH KIT 71-75190</p>	 <p>UTILITY BRUSH KIT 71-75189</p>	 <p>GARDEN HOSE QUICK CONNECT WITH 2 ADAPTORS 71-75187</p>  <p>MULTI-PURPOSE/HOUSE WASH 71-75100</p>  <p>DECK WASH 71-75101</p>  <p>VEHICLE/BOAT WASH 71-75102</p>  <p>DEGREASER 71-75103</p>
--	--	---	--

ASSEMBLY

Read these instructions and Operator's Manual in its entirety before you attempt to assemble or operate your new high pressure washer. Your high pressure washer has, for the most part, been assembled at the factory, except those parts left unassembled. Before you can operate your new high pressure washer, you must properly connect the high pressure hose.

IF YOU HAVE ANY PROBLEMS WITH THE ASSEMBLY OF YOUR PRESSURE WASHER, PLEASE CALL THE PRESSURE WASHER HELPLINE AT 1-800-222-3136.

TO REMOVE PRESSURE WASHER FROM CARTON

- Remove gun and wand assembly from cardboard holder.
- Remove all other packing material from box before removing your high pressure washer.

Refer to Page 5, "Contents of Hardware Pack" for an illustrated listing of all the items included with your pressure washer. Become familiar with each piece before assembling pressure washer. Check all contents against illustrations on Page 5. If any parts are missing or damaged, call the Pressure Washer Helpline. at 1-800-222-3136.

HOW TO SET UP YOUR PRESSURE WASHER

- Included with this unit is a quick-connect fitting that you attach to the water inlet. It can separate into two parts — a male connector and a female connector that contains an inlet screen. Make sure this screen, as well as the intake supply filter, is clean. Attach the male connector of the quick-connect to the intake supply opening on the front of the pump (Fig. 1). The water supply will be attached to the female connector.

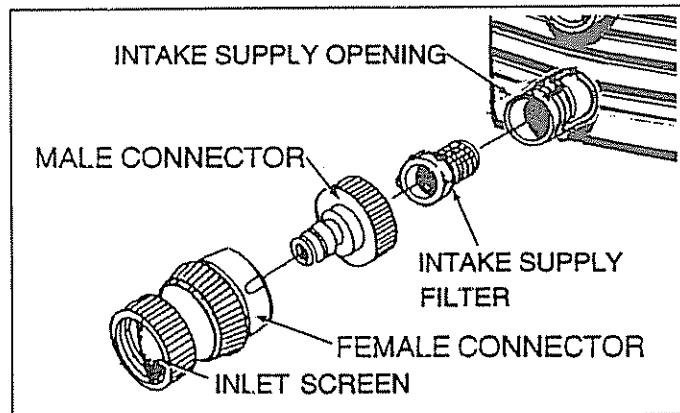


FIG. 1

- Unravel high pressure hose and attach to spray gun (Fig. 2). Tighten with two adjustable wrenches as illustrated. Do not try to tighten without holding second nut.
- To attach the high pressure hose to the unit (Fig. 3) push the "O"-ring connector of the hose into the high pressure outlet and then hand tighten until secure.
- Attach adjustable nozzle extension to spray gun by inserting threaded end of extension into end of spray gun and tightening the extension by hand until it locks in place (Fig. 4).

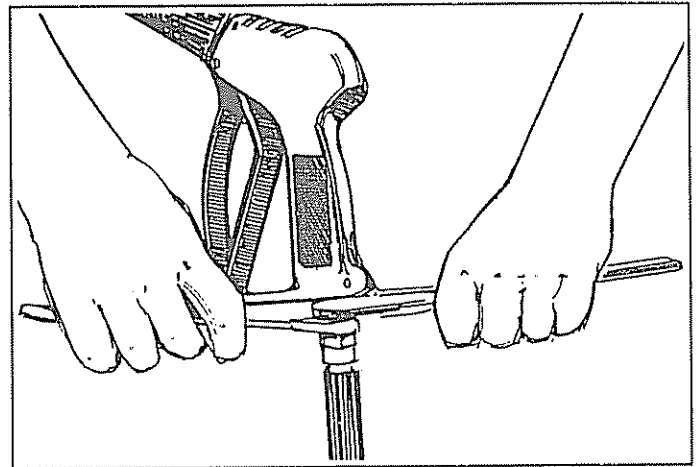


FIG. 2

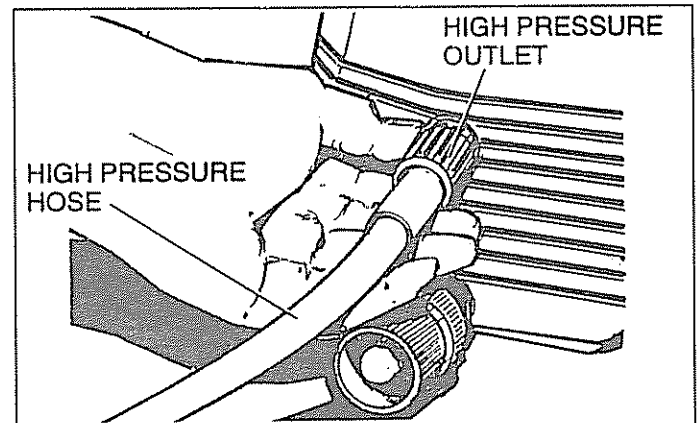


FIG. 3

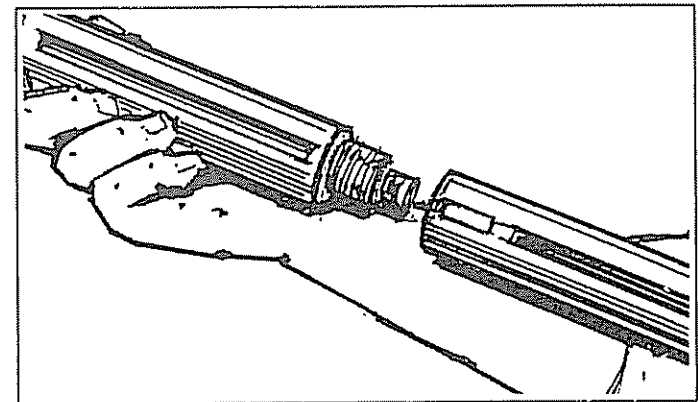


FIG. 4

CHECKLIST

- Check for proper hose connections (high pressure and water supply) and for tight connections and that there are no kinks, cuts, or damage to the high pressure hose.
- Provide proper water supply (not to exceed 104°F).
- Be sure to read "Safety Rules" and "Operation" sections before using the pressure washer.

OPERATION

KNOW YOUR HIGH PRESSURE WASHER

READ THIS OWNER'S MANUAL AND SAFETY RULES BEFORE OPERATING YOUR HIGH PRESSURE WASHER. Compare the illustrations with your high pressure washer to familiarize yourself with the locations of various controls and adjustments. Save this manual for future reference.

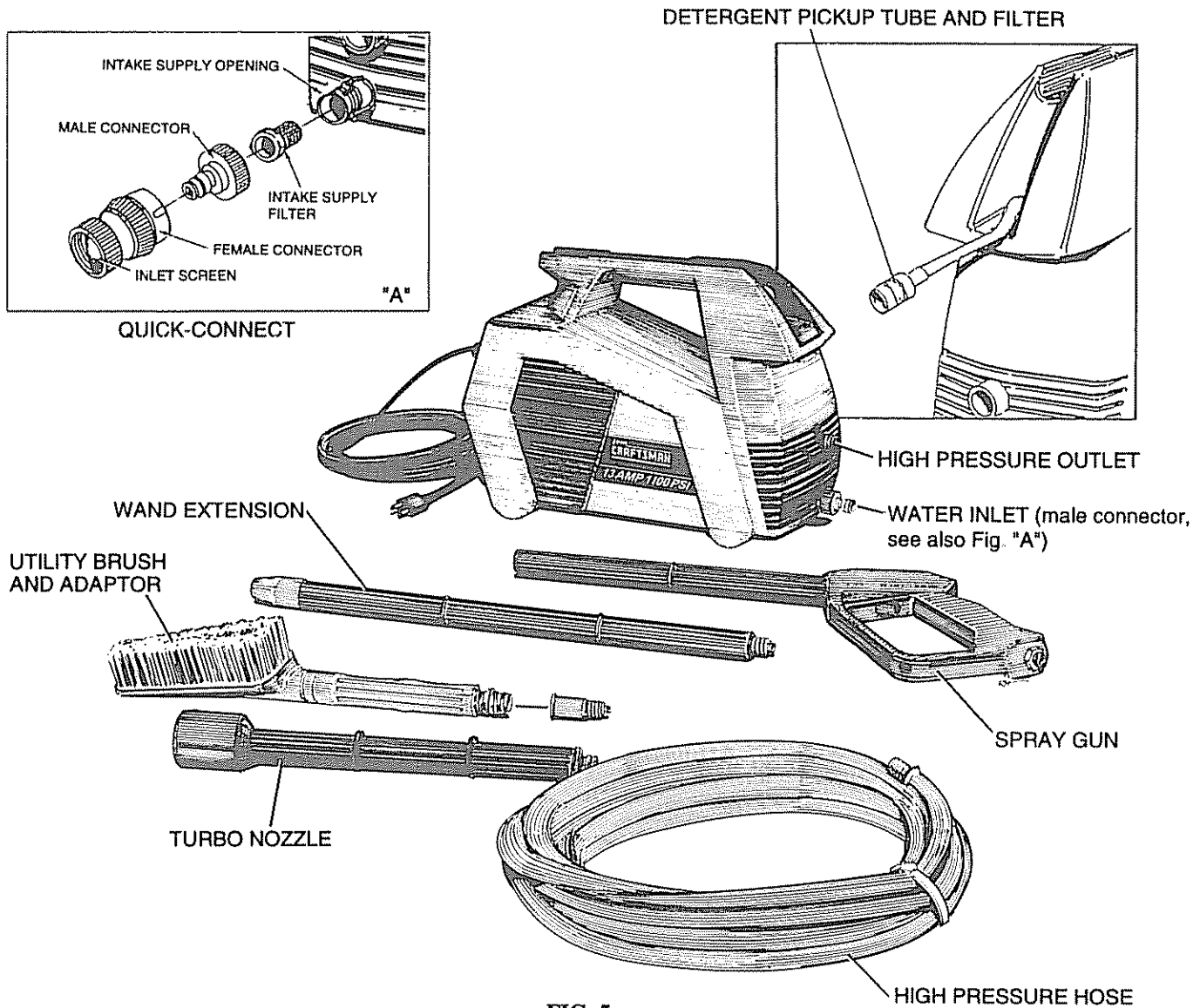


FIG. 5

GUN AND WAND ASSEMBLY — Controls the application of water onto cleaning surface with trigger device. Includes safety latch.

UTILITY BRUSH — Used to apply detergent and scrub surface.

DETERGENT PICKUP TUBE AND FILTER — Mixes water and detergent in outlet water flow.

HIGH PRESSURE OUTLET — Connection for high pressure hose.

QUICK-CONNECT — Easy connection for intake water supply.

OPERATION

HOW TO USE YOUR WASHER

IF YOU HAVE ANY PROBLEMS OPERATING YOUR PRESSURE WASHER, PLEASE CALL THE PRESSURE WASHER HELPLINE AT 1-800-222-3136.

STOPPING YOUR PRESSURE WASHER

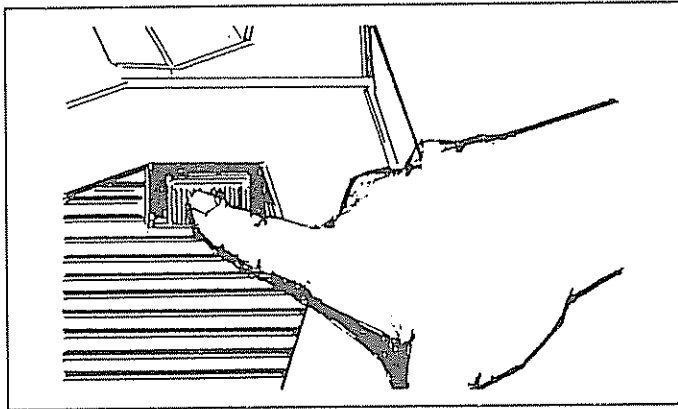


FIG. 6

- If the pressure washer is running, press the ON/OFF switch (Fig. 6).
- **Simply shutting OFF washer will not release pressure in the system.** Pull the trigger on the spray wand assembly to relieve the pressure in the hose.

NOTE: A small amount of water will squirt out when you release the pressure.

WAND EXTENSIONS

Your high pressure washer comes equipped with a choice of three wand extensions — one with an adjustable nozzle (Fig. 7), one with a utility brush (Fig. 8) and turbo nozzle (Not shown). Remove the adjustable nozzle extension if you wish to use the utility brush. Attach the Brush Adaptor to the utility brush and then insert the threaded end into the spray gun and hand tighten.

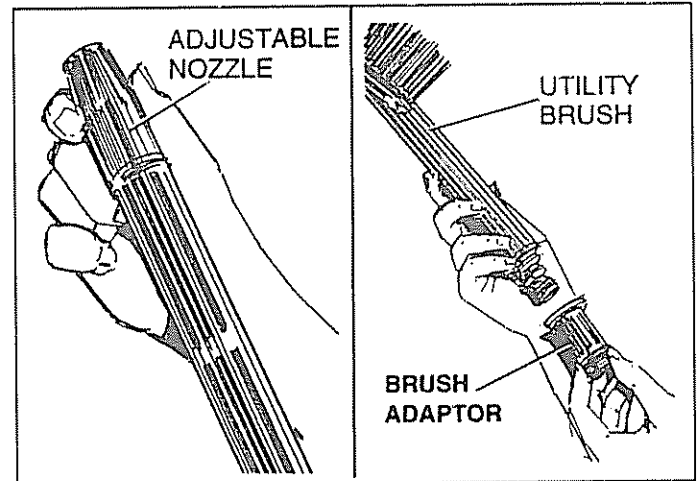


FIG. 7

FIG. 8

HOW TO USE ADJUSTABLE NOZZLE



WARNING: NEVER ADJUST SPRAY PATTERN WHEN SPRAYING. NEVER PUT HANDS IN FRONT OF SPRAY NOZZLE TO ADJUST SPRAY PATTERN.

With the adjustable nozzle you can adjust the spray pattern to be either high pressure or low pressure. You can also adjust the spray so it is concentrated in a stream pattern or expanded into a fan pattern. Use this nozzle to apply detergent.

- Push the nozzle attachment forward when you wish to adjust the spray to low pressure mode (Fig. 9). Pull the nozzle backward to achieve high pressure.
- Twisting the nozzle adjusts the spray pattern from a narrow stream to an expanded stream.

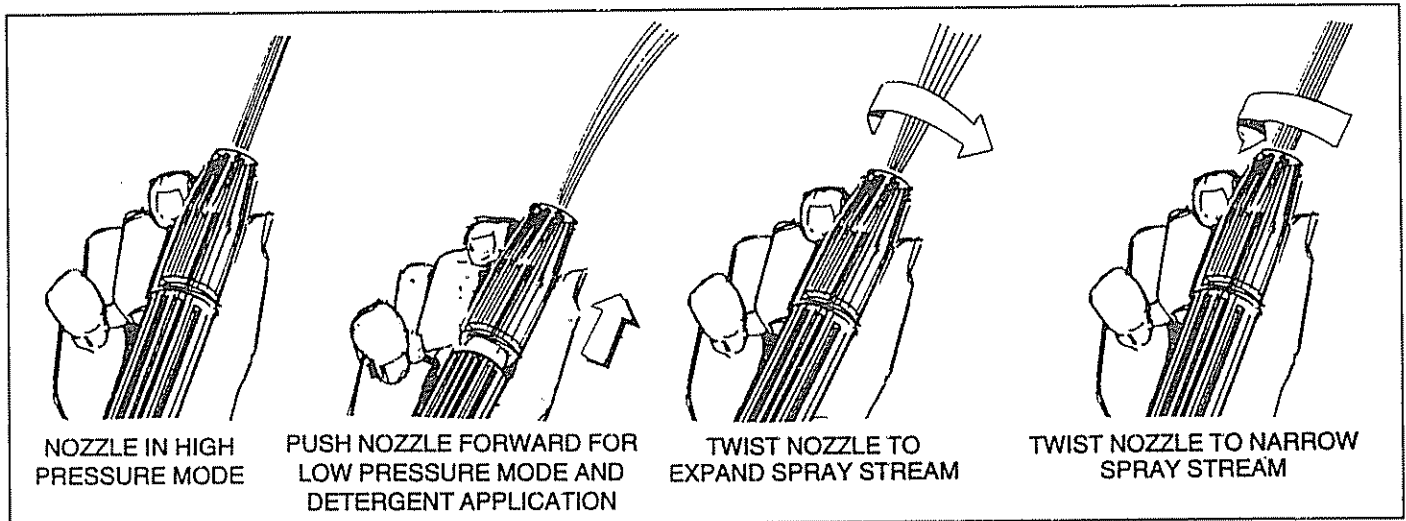


FIG. 9

OPERATION

APPLYING DETERGENT WITH ADJUSTABLE NOZZLE

IMPORTANT: USE SOAPS DESIGNED SPECIFICALLY FOR PRESSURE WASHERS. HOUSEHOLD DETERGENTS ARE NOT RECOMMENDED.

IMPORTANT: YOU MUST ATTACH ALL HOSES BEFORE YOU START THE PRESSURE WASHER. STARTING THE PRESSURE WASHER WITHOUT ALL THE HOSES CONNECTED WILL DAMAGE THE PUMP.

Pressure washers are useful cleaning tools designed to clean almost any surface in two easy steps.

- The first step involves applying an appropriate detergent/solvent solution to penetrate and loosen grime. The detergent is applied at low pressure to avoid splashing, overspraying and waste. Leave the solution on surface for 3 to 5 minutes to allow solution to work.
- The second step involves cleaning the surface you have prepared with the pressure washer and then rinsing it clean.

To apply detergent follow these steps:

- Prepare your detergent solution as required by your job.
- Place small filter of the clear, detergent syphoning tube into the detergent container (Fig. 10).
- Set nozzle to low pressure mode. Detergent cannot be siphoned with nozzle in high pressure mode (see Fig. 9).

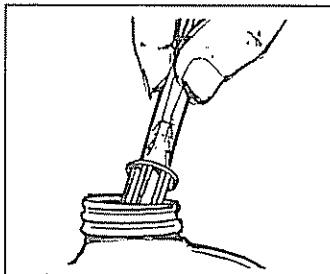


FIG. 10

- Start washer and apply detergent to a dry surface, starting from the bottom and working up.
- Remove siphon from bottle to stop detergent in low pressure mode.

NOTE: Detergents are most effective applied to a dry surface.

HOW TO USE UTILITY BRUSH

- You can apply detergent with this nozzle. As you are applying detergent to surface you want to clean, you can also combine the liquid spray with scrubbing to clean very dirty areas.
- You cannot adjust the spray pattern with this nozzle.
- Store utility brush on top of handle (Fig. 11).

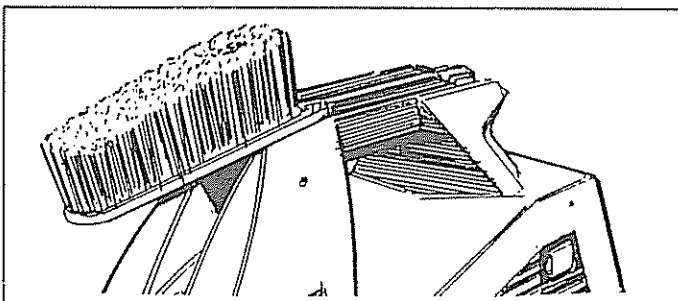


FIG. 11

PRESSURE WASHING/RINSING



WARNING: BE EXTREMELY CAREFUL IF YOU MUST USE PRESSURE WASHER FROM LADDER, SCAFFOLDING OR ANY OTHER RELATIVELY UNSTABLE LOCATION. PRESSURE IN A RUNNING WASHER BUILDS IN THE WAND AS YOU CLIMB. WHEN YOU PRESS THE TRIGGER, THE RECOIL FROM THE INITIAL SPRAY COULD FORCE YOU TO FALL, OR IF YOU ARE TOO CLOSE TO THE CLEANING SURFACE, HIGH PRESSURE COULD FORCE YOU OFF CLIMBING APPARATUS.

- Hook up water supply (Fig. 12).

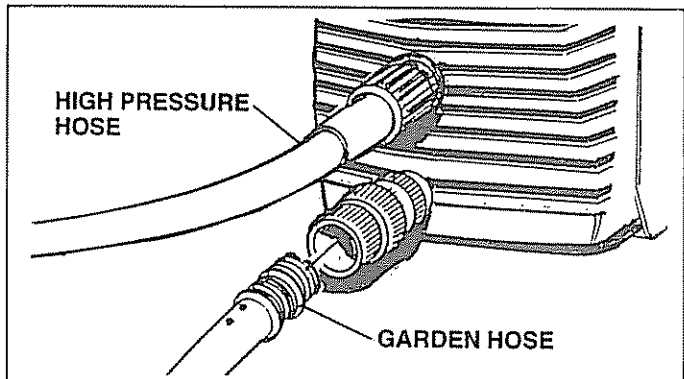


FIG. 12

- Adjust nozzle to select high pressure mode (see Fig. 9).
- NOTE:** Detergent will not flow when in the high pressure mode.
- Start washer and work from the top of the surface to the bottom.

NOTE: The high pressure mode is most effective when the tip of the wand is held between 8 to 24 inches from the surface being cleaned.

BEFORE STARTING PRESSURE WASHER

To operate the unit you will need the following:

- Electrical supply rated for 120 volts at 15 amps.
- If using an extension cord, observe the following specifications:

CABLE LENGTH	WIRE GAUGE
Up to 33 ft. (10m)	14/3 AWG
33 to 66 ft. (10m to 20m)	12/3 AWG

- Use only extension cords that are intended for outside use. These extension cords are identified by a marking "ACCEPTABLE FOR USE WITH OUTDOOR APPLIANCES; STORE INDOORS WHILE NOT IN USE." Use only extension cords having an electrical rating not less than the rating of the product. Do not use damaged extension cords. Examine extension cord before using and replace if damaged. Do not abuse extension cord and do not yank on any cord to disconnect it. Keep cord away from heat and sharp edges. Always disconnect the extension cord from the receptacle before disconnecting the pressure washer from the extension cord.

OPERATION

TO TURN ON WASHER



WARNING: NEVER ADJUST SPRAY PATTERN WHEN WATER IS SPRAYING. NEVER PUT HANDS IN FRONT OF SPRAY NOZZLE TO ADJUST SPRAY PATTERN. ALWAYS KEEP HANDS IN THE POSITION SHOWN IN FIG. 9



CAUTION: Gun kicks back. Use both hands.



WARNING: Risk of injury or injection to persons — Do not discharge stream at persons.

- Check that high pressure hose is attached to pump outlet and that water supply is attached to pump inlet (female connector of quick-connect).
- Turn ON water. Water supply should not exceed 104°F.
- Press trigger on gun and wand assembly to force air from high pressure hose (Fig. 12).
- Maintain trigger as shown in Fig. 12 and press ON/OFF switch.

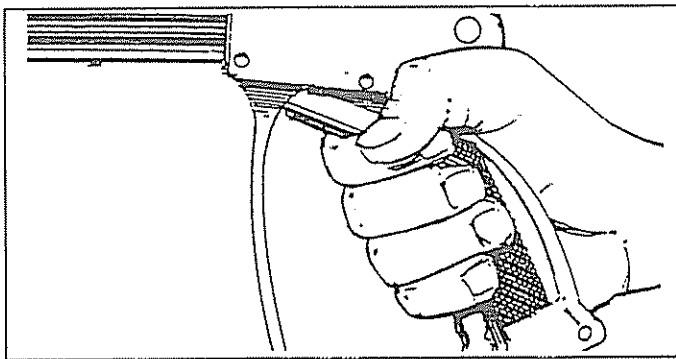


FIG. 13

IMPORTANT: DO NOT RUN PUMP WITHOUT THE WATER SUPPLY CONNECTED AND TURNED ON OR THE PUMP WILL BE DAMAGED.

SIPHONING

We do not recommend that you siphon your water supply from sources other than from connecting to household water supply.

TIPS

- Initially clean an area and then check the surface for damage. If no damage is found, you can assume it is okay to continue cleaning. Detergents work best when applied to dry surface.
- For most effective cleaning, keep spray nozzle between 8 to 24 inches of cleaning surface.
- Allow the detergent to soak in between 3-5 minutes before washing and rinsing.
- For cleaning, start at lower portion of area to be washed and work upward, using long, even overlapping strokes.
- For rinsing, push the nozzle sleeve to high pressure and wait for detergent to clear. Start at the top of area to be rinsed, working down with the same action as for cleaning.
- Never use the garden hose inlet to siphon detergent or wax.
- If you get the spray nozzle too close, especially using high pressure mode, you may damage the cleaning surface.
- If you have the spray nozzle too far away, the cleaning will not be as effective.
- Do not get closer than 6 inches when cleaning automobile tires.

CUSTOMER RESPONSIBILITIES

GENERAL RECOMMENDATIONS

The warranty of the high pressure washer does not cover items that have been subjected to operator abuse or negligence. To receive full value from the warranty, operator must maintain high pressure washer as instructed in this manual.

BEFORE EACH USE



DANGER : WATER SPRAYING FROM A LEAK IS CAPABLE OF INJECTING MATERIAL INTO SKIN. INSPECT HOSE EACH TIME BEFORE USING IT. NEVER REPAIR HIGH PRESSURE HOSE. REPLACE IT WITH ANOTHER HOSE THAT MEETS MINIMUM PRESSURE RATING OF YOUR PRESSURE WASHER.

Check and Clean Quick-Connect Screen: Remove quick-connect and examine the inlet screen on the female connector. Clean if clogged or replace the quick-connect inlet screen.

Check High Pressure Hose: High pressure hose can develop leaks from wear, kinking, abuse. Check all hoses for cuts, leaks, abrasions or bulging of cover, or damage or movement of couplings. If any of these conditions exist, replace hose immediately.

Check Detergent Hose: Examine the filter on the detergent hose and clean if clogged. Hose should fit tightly on barbed fitting. Examine hose for leaks or tears. Replace the filter or hose if either is damaged.

Check Gun and Wand: Examine hose connection and make sure it is secure. Test trigger by pressing it and making sure it springs back into place when released. Put safety latch in ON position and test trigger. You should not be able to press trigger.

STORAGE

PRESSURE WASHER PUMP

Water should not remain in the unit for long periods of time. Sediments of minerals can deposit on pump parts and "freeze" pump action. After each time you are finished using your pressure washer, follow this procedure:

- Flush detergent hose by placing the injector filter into a pail of clear water while running Pressure Washer with nozzle in low pressure mode. Flush until you can see clear water flowing through hose.
- Shut off the pressure washer, unplug it and let it cool, THEN REMOVE ALL HOSES.
- Store the pressure washer and its components in such a way as to protect it from freezing.
- Store in a clean, dry area. Ideally, the unit should be stored in a frost-free room.
- Coil the high pressure hose and inspect it for damage. Cuts in the hose or fraying of it could result in leaks and loss of pressure. Should any damage be found, replace the hose. DO NOT attempt to repair a damaged hose and use it. Replace the hose with the genuine Craftsman part.
- Drain water from hose and properly store it to prevent cuts and general wear.

NOZZLE MAINTENANCE

If the nozzle becomes restricted or clogged with foreign materials, such as dirt, excessive pump pressure may develop. A partially clogged nozzle can cause a pulsing sensation during use. This generally is not a pump related problem, but rather a clogged or partially restricted nozzle. If the nozzle becomes clogged or partially restricted immediately clean the nozzle.

- Disconnect the power supply and turn off the water supply.
- Separate the wand from the gun.
- Remove the nozzle from the end of the wand using a 2mm or 5/64 allen wrench.
- Use a piece of wire or small paper clip to free the foreign materials (Fig. 14) from clogging or restricting the nozzle.
- Use your water supply to back flush the wand removing additional debris. Back flush for 30 seconds to 1 minute (Fig. 15) Turn wand to stream spray position and move from low to high pressure while flushing.
- Reinstall the nozzle into the wand, do not over tighten.
- Reconnect wand to the gun.
- Reconnect the water supply and turn on the water.
- Reconnect the electrical power supply.

Test the pressure washer by operating in the high and low position.

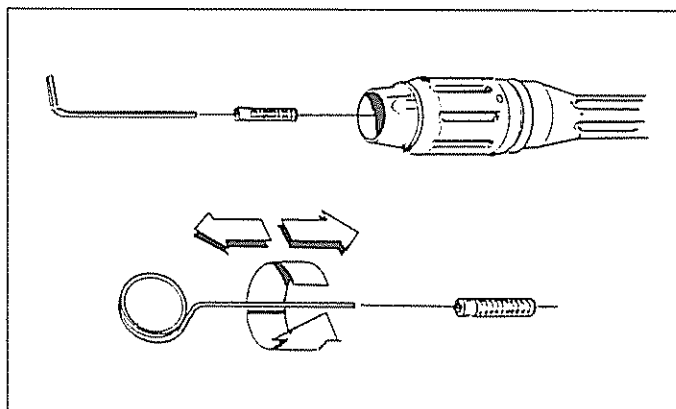


FIG. 14

Insert wire into nozzle and turn back and forth to clear obstruction.

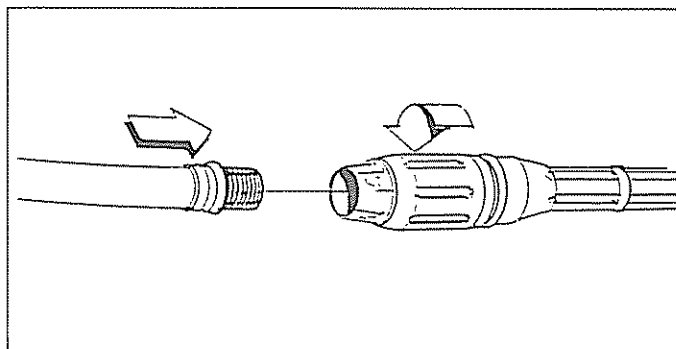


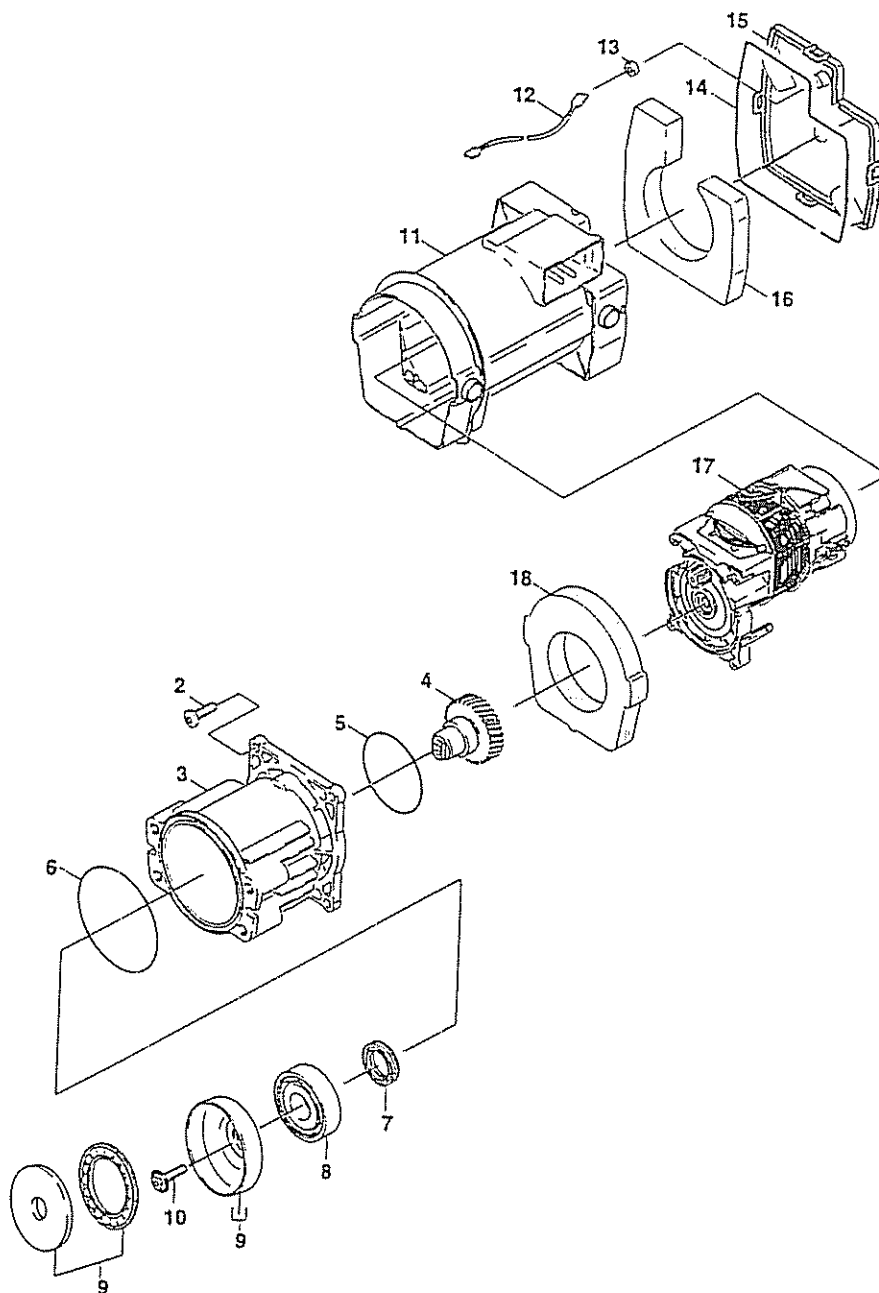
FIG. 15

TROUBLESHOOTING

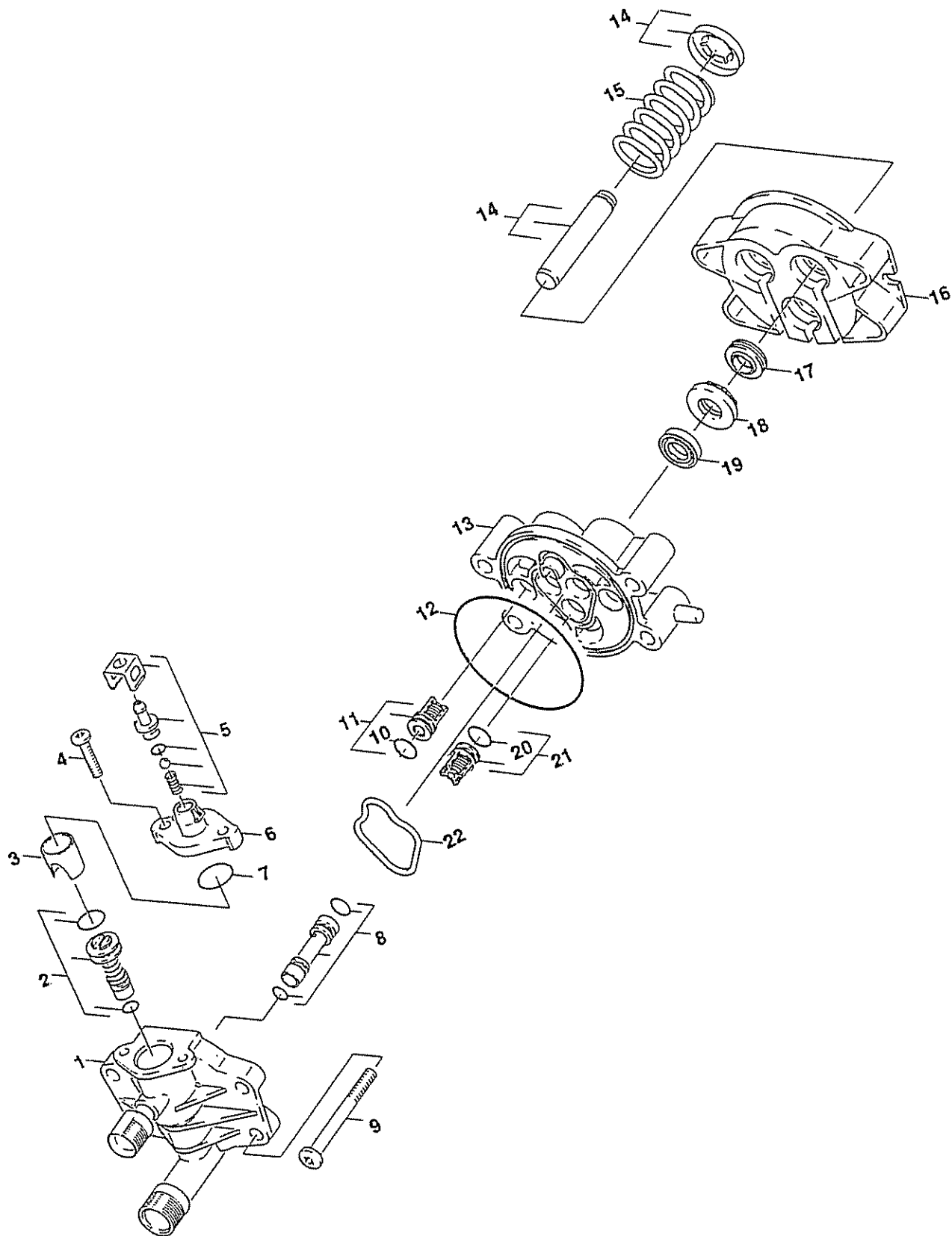


WARNING: MANY OF THE ACTIONS YOU ARE ASKED TO CORRECT ARE PROBLEMS THAT INVOLVE CLEANING A COMPONENT OF THE PRESSURE WASHER. WHEN CLEANING ANY PART OF THIS UNIT, TURN OFF THE UNIT AND COMPLETELY DISCONNECT THE POWER SUPPLY.

PROBLEM	CAUSE	CORRECTION
Pressure Washer will not start.	<ol style="list-style-type: none"> 1. No electrical power is available. 2. Motor overheats. 3. Low voltage. 4. Trigger not open. 5. Electrical defect 	<ol style="list-style-type: none"> 1. Check cable, plug, power socket and fuse. 2. Press trigger of wand to relieve pressure on the unit. Allow unit to cool for about 2 min. It should run when you turn it ON again. Length of extension cord is well beyond 66 feet. 3. Contact Sears Service Department. 4. Open trigger. 5. Contact Sears Service Department.
Pressure Washer does not come up to pressure.	<ol style="list-style-type: none"> 1. Spray gun is in low pressure mode. 2. Pump is sucking air. 3. Water filter clogged. 4. Pump not bled to remove air. 5. Pump is defective. 	<ol style="list-style-type: none"> 1. Adjust nozzle to high pressure mode. 2. Water hose must be 1/2" diameter. Make sure water supply is ON. Make sure water supply is clean. Check all connections for leaks or blockage. Turn OFF the unit, hold trigger in OPEN position to relieve pressure and allow air in line to escape. With trigger still in OPEN position, turn ON the unit. Repeat if necessary. 3. Clean filter. 4. Switch OFF washer, press trigger, switch ON washer while pressing trigger. Repeat if necessary. 5. Contact Sears Service Department.
High pressure spray is irregular.	<ol style="list-style-type: none"> 1. Nozzle or water supply is restricted. 2. Water supply inadequate. 	<ol style="list-style-type: none"> 1. Clean nozzle, check hose and screens. 2. Turn ON water to full position. Operate washer in suction operation with open container.
No intake of cleaning agent.	<ol style="list-style-type: none"> 1. Wrong nozzle setting. 2. Nozzle clogged. 3. Detergent hose filter clogged. 	<ol style="list-style-type: none"> 1. Adjust nozzle to low pressure mode. 2. Clean nozzle. 3. Clean filter in detergent hose.

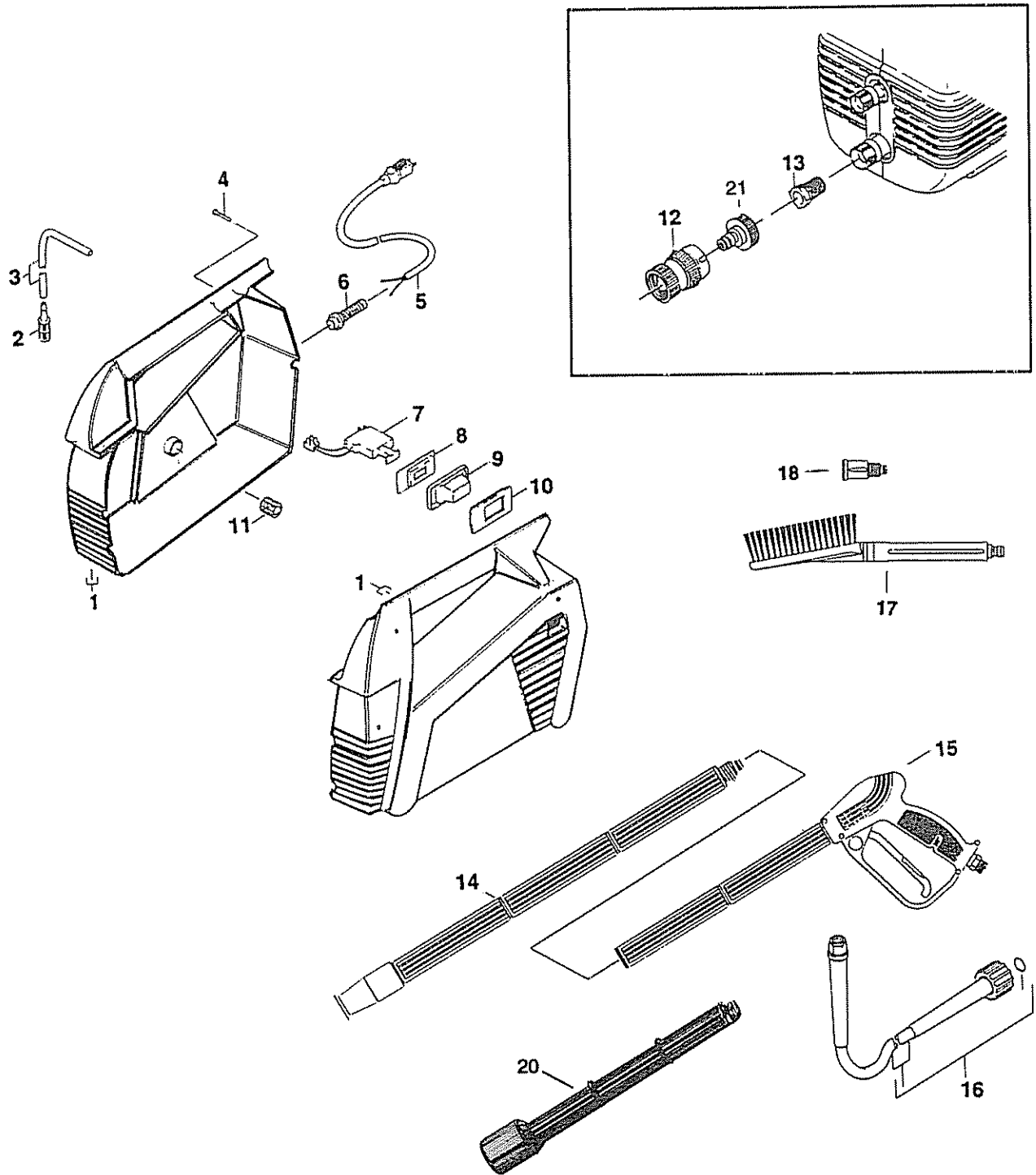


ITEM	PART NO.	DESCRIPTION	ITEM	PART NO.	DESCRIPTION
2	96154	SCREW (4 REQ.)	11	96158	MOTOR HOUSING (1 REQ.)
3	96155	MOTOR HOUSING (1 REQ.)	12	94307	CABLE (2 REQ.)
4	94313	GEAR WHEEL (1 REQ.)	13	94308	SEAL (1 REQ.)
5	94314	GASKET (1 REQ.)	14	94309	CELLULAR RUBBER CORD (1 REQ.)
6	94315	O-RING (1 REQ.)	15	96159	HOUSING COVER (1 REQ.)
7	96156	ROTARY SHAFT SEAL (1 REQ.)	16	94310	INSULATING MAT (1 REQ.)
8	94316	BEARING (1 REQ.)	17	94312	MOTOR (1 REQ.)
9	94317	SWASH PLATE (1 REQ.)	18	94311	INSULATING MAT (1 REQ.)
10	96157	SCREW (1 REQ.)			



ITEM	PART NO.	DESCRIPTION
1	96160	HOUSING (1 REQ.)
2	*	SPILL VALVE 1(REQ.)
3	*	SLEEVE (1 REQ.)
4	96161	SELF-TAPPING SCREW (2 REQ.)
5	96162	SPARE PARTS KIT (1 REQ.)
6	96163	PUMP COVER (1 REQ.)
7	*	19.3 x 2.4mm O-RING (1 REQ.)
8	94304	NOZZLE INSERT (1 REQ.)
9	96164	OVAL HEAD SCREW (4 REQ.)
10	94302	10 x 2.5mm O-RING (3 REQ.)
11	*	VALVE (3 REQ.)
12	*	76 x 2mm O-RING (1 REQ.)
13	96165	CYLINDER HEAD (1 REQ.)
14	94303	PISTON (3 REQ.)
15	94305	HELICAL SPRING (3 REQ.)
16	96166	HOUSING (1 REQ.)
17	94306	GROOVED RING (3 REQ.)
18	*	WASHER (3 REQ.)
19	*	GROOVED RING (3 REQ.)
20	*	O-RING (3 REQ.)
21	*	PRESSURE VALVE (3 REQ.)
22	*	GASKET (1 REQ.)

* — Part is included with Pump Repair Kit (Part No. 94301)



ITEM	PART NO.	DESCRIPTION
1	94293	COVER (1 REQ.)
2	94294	FILTER (1 REQ.)
3	94295	HOSE (1 REQ.)
4	96150	SCREW (7 REQ.)
5	94296	ELECTRIC CORD (1 REQ.)
6	94297	CORD BUSHING (1 REQ.)
7	94298	SWITCH (1 REQ.)
8	96151	BRACKET (1 REQ.)
9	94299	PROTECTING CAP (1 REQ.)
10	96152	SWITCH FRAME(1 REQ.)
11	96153	RUBBER BUFFER(4 REQ.)
12	96016	QUICK DISCONNECT ADAPTOR (1 REQ.)
13	94300	WATER INLET FILTER (1 REQ.)
14	95602	WAND EXTENSION (1 REQ.)
15	95563	SPRAY GUN (1 REQ.)
16	95604	HIGH PRESSURE HOSE [25 FT.] 1 (REQ.)
17	88185	UTILITY BRUSH (1 REQ.)
18	95577	ATTACHMENT ADAPTOR (1 REQ.)
19	97068	OWNER'S MANUAL (1 REQ.) [not shown]
20	95566	TURBO WAND (1 REQ.)
21	96017	QUICK DISCONNECT ADAPTOR - MALE (1 REQ.)

SEARS

OWNER'S MANUAL

MODEL NO.
580.751330

IF YOU NEED
REPAIR SERVICE
OR PARTS

FOR REPAIR SERVICE CALL
THIS TOLL FREE NUMBER

1-800-4-REPAIR

(1-800-473-7247)

FOR REPLACEMENT PARTS
INFORMATION AND ORDER-
ING, CALL THIS TOLL FREE
NUMBER:

1-800-FON-PART

(1-800-366-7278)

CRAFTSMAN®

1100 PSI AT 1.6 GPM
ELECTRIC HIGH PRESSURE WASHER
DOUBLE INSULATED

Each High Pressure Washer has its own model number.

The model number for your pressure washer will be found on a decal attached to the unit.

All parts listed herein may be ordered through Sears, Roebuck and Co. Service Centers and most Retail Stores.

WHEN ORDERING REPAIR PARTS, ALWAYS GIVE THE FOLLOWING INFORMATION:

- PRODUCT — HIGH PRESSURE WASHER
- MODEL NUMBER — 580.751330
- PART NUMBER
- PART DESCRIPTION

Your Sears merchandise has added value when you consider that Sears has service units nationwide staffed with Sears trained technicians....professional technicians specifically trained on Sears products, having the parts, tools and the equipment to ensure that we meet our pledge to you, we service what we sell.

SEARS, ROEBUCK and CO., Hoffman Estates, IL 60179 U.S.A.

Free Manuals Download Website

<http://myh66.com>

<http://usermanuals.us>

<http://www.somanuals.com>

<http://www.4manuals.cc>

<http://www.manual-lib.com>

<http://www.404manual.com>

<http://www.luxmanual.com>

<http://aubethermostatmanual.com>

Golf course search by state

<http://golfingnear.com>

Email search by domain

<http://emailbydomain.com>

Auto manuals search

<http://auto.somanuals.com>

TV manuals search

<http://tv.somanuals.com>