



OPERATOR'S MANUAL

MANUEL D'UTILISATION
MANUAL DEL OPERADOR

18 VOLT JIG SAW
SCIE SAUTEUSE DE 18 V
SIERRA DE VAIVÉN DE 18 V

P523

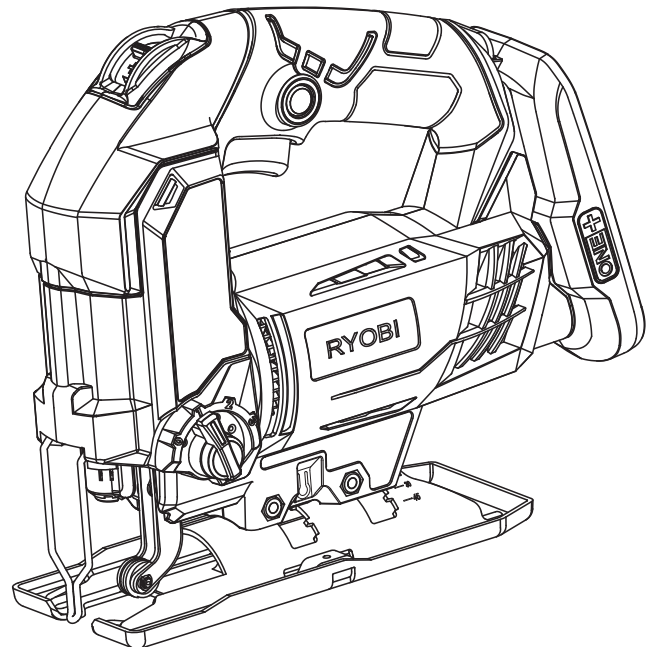


TABLE OF CONTENTS

- General Power Tool Safety Warnings2-3
- Jigsaw Safety Warnings3
- Symbols.....4
- Features.....5
- Assembly.....5
- Operation.....5-8
- Maintenance.....8
- Accessories8
- Figures (Illustrations)9-11
- Parts Ordering and ServiceBack page

TABLE DES MATIÈRES

- Règles de sécurité générales relatives aux outils électriques2-3
- Avertissements de sécurité relatifs scie/sauteuse3
- Symboles.....4
- Caractéristiques5
- Assemblage.....5
- Utilisation5-8
- Entretien8
- Accessoires8
- Figures (illustrations).....9-11
- Commande de pièces et dépannagePage arrière

ÍNDICE DE CONTENIDO

- Advertencias de seguridad para herramientas eléctrica 2-3
- Advertencias de sierra de vaiven.....3
- Símbolos.....4
- Características.....5
- Armado5
- Funcionamiento..... 5-8
- Mantenimiento.....8
- Accesorios.....8
- Figuras (ilustraciones) 9-11
- Pedidos de piezas y servicio Pág. posterior

⚠ WARNING: To reduce the risk of injury, the user must read and understand the operator's manual before using this product.

⚠ AVERTISSEMENT : Pour réduire les risques de blessures, l'utilisateur doit lire et veiller à bien comprendre le manuel d'utilisation avant d'employer ce produit.

⚠ ADVERTENCIA: Para reducir el riesgo de lesiones, el usuario debe leer y comprender el manual del operador antes de usar este producto.

SAVE THIS MANUAL FOR FUTURE REFERENCE

CONSERVER CE MANUEL POUR FUTURE RÉFÉRENCE

GUARDE ESTE MANUAL PARA FUTURAS CONSULTAS

GENERAL POWER TOOL SAFETY WARNINGS

WARNING

Read all safety warnings and all instructions. Failure to follow the warnings and instructions can result in electric shock, fire and/or serious injury.

Save all warnings and instructions for future reference. The term “power tool” in the warnings refers to your mains-operated (corded) power tool or battery-operated (cordless) power tool.

WORK AREA SAFETY

- **Keep work area clean and well lit.** Cluttered or dark areas invite accidents.
- **Do not operate power tools in explosive atmospheres, such as in the presence of flammable liquids, gases, or dust.** Power tools create sparks which may ignite the dust or fumes.
- **Keep children and bystanders away while operating a power tool.** Distractions can cause you to lose control.

ELECTRICAL SAFETY

- **Power tool plugs must match the outlet. Never modify the plug in any way. Do not use any adapter plugs with earthed (grounded) power tools.** Unmodified plugs and matching outlets will reduce risk of electric shock.
- **Avoid body contact with earthed or grounded surfaces such as pipes, radiators, ranges and refrigerators.** There is an increased risk of electric shock if your body is earthed or grounded.
- **Do not expose power tools to rain or wet conditions.** Water entering a power tool will increase the risk of electric shock.
- **Do not abuse the cord. Never use the cord for carrying, pulling or unplugging the power tool. Keep cord away from heat, oil, sharp edges, or moving parts.** Damaged or entangled cords increase the risk of electric shock.
- **When operating a power tool outdoors, use an extension cord suitable for outdoor use.** Use of a cord suitable for outdoor use reduces the risk of electric shock.
- **If operating a power tool in a damp location is unavoidable, use a ground fault circuit interrupter (GFCI) protected supply.** Use of a GFCI reduces the risk of electric shock.
- **Use battery only with charger listed.** For use with 18V nickel-cadmium and 18V lithium-ion battery packs, see tool/appliance/battery pack/charger correlation supplement 987000-432.

PERSONAL SAFETY

- **Stay alert, watch what you are doing and use common sense when operating a power tool. Do not use a power tool while you are tired or under the influence of drugs, alcohol or medication.** A moment of inattention while operating power tools may result in serious personal injury.

- **Use personal protective equipment. Always wear eye protection.** Protective equipment such as dust mask, non-skid safety shoes, hard hat, or hearing protection used for appropriate conditions will reduce personal injuries.
- **Prevent unintentional starting. Ensure the switch is in the off-position before connecting to power source and/or battery pack, picking up or carrying the tool.** Carrying power tools with your finger on the switch or energising power tools that have the switch on invites accidents.
- **Remove any adjusting key or wrench before turning the power tool on.** A wrench or a key left attached to a rotating part of the power tool may result in personal injury.
- **Do not overreach. Keep proper footing and balance at all times.** This enables better control of the power tool in unexpected situations.
- **Dress properly. Do not wear loose clothing or jewellery. Keep your hair, clothing and gloves away from moving parts.** Loose clothes, jewellery or long hair can be caught in moving parts.
- **If devices are provided for the connection of dust extraction and collection facilities, ensure these are connected and properly used.** Use of dust collection can reduce dust-related hazards.
- **Do not wear loose clothing or jewelry. Contain long hair.** Loose clothes, jewelry, or long hair can be drawn into air vents.
- **Do not use on a ladder or unstable support.** Stable footing on a solid surface enables better control of the power tool in unexpected situations.

POWER TOOL USE AND CARE

- **Do not force the power tool. Use the correct power tool for your application.** The correct power tool will do the job better and safer at the rate for which it was designed.
- **Do not use the power tool if the switch does not turn it on and off.** Any power tool that cannot be controlled with the switch is dangerous and must be repaired.
- **Disconnect the plug from the power source and/or the battery pack from the power tool before making any adjustments, changing accessories, or storing power tools.** Such preventive safety measures reduce the risk of starting the power tool accidentally.
- **Store idle power tools out of the reach of children and do not allow persons unfamiliar with the power tool or these instructions to operate the power tool.** Power tools are dangerous in the hands of untrained users.
- **Maintain power tools. Check for misalignment or binding of moving parts, breakage of parts and any other condition that may affect the power tool's operation. If damaged, have the power tool repaired before use.** Many accidents are caused by poorly maintained power tools.

GENERAL POWER TOOL SAFETY WARNINGS

- **Keep cutting tools sharp and clean.** Properly maintained cutting tools with sharp cutting edges are less likely to bind and are easier to control.
- **Use the power tool, accessories and tool bits etc. in accordance with these instructions, taking into account the working conditions and the work to be performed.** Use of the power tool for operations different from those intended could result in a hazardous situation.

BATTERY TOOL USE AND CARE

- **Recharge only with the charger specified by the manufacturer.** A charger that is suitable for one type of battery pack may create a risk of fire when used with another battery pack.
- **Use power tools only with specifically designated battery packs.** Use of any other battery packs may create a risk of injury and fire.
- **When battery pack is not in use, keep it away from other metal objects, like paper clips, coins, keys, nails,**

screws or other small metal objects, that can make a connection from one terminal to another. Shorting the battery terminals together may cause burns or a fire.

- **Under abusive conditions, liquid may be ejected from the battery; avoid contact. If contact accidentally occurs, flush with water. If liquid contacts eyes, additionally seek medical help.** Liquid ejected from the battery may cause irritation or burns.

SERVICE

- **Have your power tool serviced by a qualified repair person using only identical replacement parts.** This will ensure that the safety of the power tool is maintained.
- **When servicing a power tool, use only identical replacement parts. Follow instructions in the Maintenance section of this manual.** Use of unauthorized parts or failure to follow Maintenance instructions may create a risk of shock or injury.




JIG SAW SAFETY WARNINGS

- **Hold power tool by insulated gripping surfaces, when performing an operation where the cutting accessory may contact hidden wiring.** Cutting accessory contacting a “live” wire may make exposed metal parts of the power tool “live” and could give the operator an electric shock.
- **Use clamps or another practical way to secure and support the workpiece to a stable platform.** Holding the work by hand or against your body leaves it unstable and may lead to loss of control.
- **Know your power tool. Read operator’s manual carefully. Learn its applications and limitations, as well as the specific potential hazards related to this power tool.** Following this rule will reduce the risk of electric shock, fire, or serious injury.
- **Always wear eye protection with side shields marked to comply with ANSI Z87.1 when assembling parts, operating the tool, or performing maintenance.** Following this rule will reduce the risk of serious personal injury.
- **Protect your lungs. Wear a face or dust mask if the operation is dusty.** Following this rule will reduce the risk of serious personal injury.
- **Protect your hearing. Wear hearing protection during extended periods of operation.** Following this rule will reduce the risk of serious personal injury.
- **Battery tools do not have to be plugged into an electrical outlet; therefore, they are always in operating condition. Be aware of possible hazards when not using your battery tool or when changing accessories.** Following this rule will reduce the risk of electric shock, fire, or serious personal injury.







- **Do not place battery tools or their batteries near fire or heat.** This will reduce the risk of explosion and possibly injury.
- **Do not crush, drop or damage battery pack. Do not use a battery pack or charger that has been dropped or received a sharp blow.** A damaged battery is subject to explosion. Properly dispose of a dropped or damaged battery immediately.
- **Batteries can explode in the presence of a source of ignition, such as a pilot light.** To reduce the risk of serious personal injury, never use any cordless product in the presence of open flame. An exploded battery can propel debris and chemicals. If exposed, flush with water immediately.
- **Do not charge battery tool in a damp or wet location.** Following this rule will reduce the risk of electric shock.
- **For best results, your battery tool should be charged in a location where the temperature is more than 50°F but less than 100°F.** To reduce the risk of serious personal injury, do not store outside or in vehicles.
- **Under extreme usage or temperature conditions, battery leakage may occur. If liquid comes in contact with your skin, wash immediately with soap and water. If liquid gets into your eyes, flush them with clean water for at least 10 minutes, then seek immediate medical attention.** Following this rule will reduce the risk of serious personal injury.
- **Save these instructions.** Refer to them frequently and use them to instruct others who may use this tool. If you loan someone this tool, loan them these instructions also.

SYMBOLS

The following signal words and meanings are intended to explain the levels of risk associated with this product.

SYMBOL	SIGNAL	MEANING
	DANGER:	Indicates an imminently hazardous situation, which, if not avoided, will result in death or serious injury.
	WARNING:	Indicates a potentially hazardous situation, which, if not avoided, could result in death or serious injury.
	CAUTION:	Indicates a potentially hazardous situation, which, if not avoided, may result in minor or moderate injury.
	NOTICE:	(Without Safety Alert Symbol) Indicates important information not related to an injury hazard, such as a situation that may result in property damage.

Some of the following symbols may be used on this product. Please study them and learn their meaning. Proper interpretation of these symbols will allow you to operate the product better and safer.

SYMBOL	NAME	DESIGNATION/EXPLANATION
	Safety Alert	Indicates a potential personal injury hazard.
	Read Operator's Manual	To reduce the risk of injury, user must read and understand operator's manual before using this product.
	Eye Protection	Always wear eye protection with side shields marked to comply with ANSI Z87.1.
	Wet Conditions Alert	Do not expose to rain or use in damp locations.
	No Hands Symbol	Failure to keep your hands away from the blade will result in serious personal injury.
	Recycle Symbols	This product uses nickel-cadmium (Ni-Cd) and lithium-ion (Li-ion) batteries. Local, state or federal laws may prohibit disposal of batteries in ordinary trash. Consult your local waste authority for information regarding available recycling and/or disposal options.
V	Volts	Voltage
min	Minutes	Time
—	Direct Current	Type or a characteristic of current
n_0	No Load Speed	Rotational speed, at no load
.../min	Per Minute	Revolutions, strokes, surface speed, orbits etc., per minute

FEATURES

PRODUCT SPECIFICATIONS

Length of Stroke..... 1 in.
Strokes Per Minute..... 1,100-3,000 s/min. (SPM)

Cutting Angle.....0° to 45° (Left and Right)
Orbital Motion.....4 Settings

ASSEMBLY

WARNING:

Do not use this product if it is not completely assembled or if any parts appear to be missing or damaged. Use of a product that is not properly and completely assembled or with damaged or missing parts could result in serious personal injury.

WARNING:

Do not attempt to modify this product or create accessories or attachments not recommended for use with this product. Any such alteration or modification is misuse and could result in a hazardous condition leading to possible serious personal injury.

If any parts are damaged or missing, please call 1-800-525-2579 for assistance.

OPERATION

WARNING:

Do not allow familiarity with this product to make you careless. Remember that a careless fraction of a second is sufficient to inflict serious injury.

WARNING:

Always remove battery pack from the tool when you are assembling parts, making adjustments, cleaning, or when not in use. Removing battery pack will prevent accidental starting that could cause serious personal injury.

WARNING:

Always wear eye protection with side shields marked to comply with ANSI Z87.1. Failure to do so could result in objects being thrown into your eyes and other possible serious injuries.

WARNING:

Do not use any attachments or accessories not recommended by the manufacturer of this product. The use of attachments or accessories not recommended can result in serious personal injury.

SWITCH TRIGGER/LOCK-ON BUTTON

See Figure 1, page 9.

The lock-on button is convenient when cutting for extended periods of time. It is located on the handle above the switch trigger.

- **To turn the saw on:** Depress the switch trigger.
- **To turn the saw off:** Release the switch trigger.
- **To lock on:** Depress the switch trigger. Push in and hold the lock-on button. Release the switch trigger.
- **To release:** Depress the switch trigger.

INSTALLING/REMOVING BATTERY PACK

See Figure 2, page 9.

To install:

- Place the battery pack on the tool.
- Make sure the latches on each side of the battery pack snap into place and the battery pack is secured on the tool before beginning operation.

To remove:

- Depress the latches on the sides of the battery pack.
- Remove the battery pack.

WARNING:

Battery products are always in operating condition. Removing battery pack will prevent accidental starting that could cause serious personal injury.

APPLICATIONS

You may use this product for the purposes listed below:

- Cutting wood surfaces, thin sheet metal, plastics, and laminates

OPERATION

BLADE SELECTION

For best performance, always select a specific blade for the particular application and type of material you wish to cut. This will help create a smoother, faster cut and prolong blade life.

WARNING:

This tool is designed to work with T-shank blades. Using non-T-shank blades may result in blades coming loose from tool, resulting in personal injury or property damage.

INSTALLING BLADES

See Figure 3, page 10.

The toolless blade clamp design does not require the use of a blade wrench when installing or removing the blade.

- Remove the battery pack.
- Rotate the blade clamp lock counterclockwise. Hold the lock in the open position.
- Insert the T-shank saw blade into the slot and push until the blade is fully inserted.
- Release the blade clamp lock, making sure the blade is securely installed.
- Reinstall the battery pack.

BladeSaver™ BRACKET

See Figure 4, page 10.

The BladeSaver™ feature has a “drop-base” design. As the blade becomes dull with use, the saw base can be adjusted vertically in 1/8 in. increments, making unused blade teeth available for cutting.

This feature can be used for straight cutting, bevel cutting, and plunge cutting.

There are four detents on the side of the jigsaw for base adjustment.

To adjust the BladeSaver™:

- Remove the battery pack.
- Remove the hex key from the storage compartment. Loosen the two screws on the side of the bracket.
NOTE: It is not necessary to remove the screws. Turn them counterclockwise only enough to loosen the base for adjustment.
- Adjust the base to desired position indicated by the detents on the BladeSaver™ bracket.
- Securely tighten the screws and reinstall the battery pack. Return hex key to storage compartment.

The unused portion of the blade will vary, depending on the thickness of the workpiece material and the length of the blade.

GENERAL CUTTING

See Figure 5, page 10.

Rest the front of the saw base on the workpiece and align cutting edge of the blade with the line on your workpiece. Start the saw and move it forward on the work surface. Apply downward pressure to keep the saw steady and only enough forward pressure to keep the blade cutting. Do not force the saw. Forcing the saw may overheat the motor and break saw blades. Broken saw blades must be replaced with new saw blades.

STRAIGHT CUTTING

See Figure 5, page 10.

A straight cut can be made by clamping a piece of wood or straight edge to the workpiece and guiding the edge of the saw against it. Make the cut from one direction only; don't cut halfway and complete the cut from the opposite end.

VARIABLE SPEED LEVER

See Figure 6, page 10.

The variable speed lever is located on top of the saw handle, above the switch trigger.

To increase or decrease the cutting speed:

- Hold the saw in normal operating position. Gradually push the speed lever to the positive (+) symbol to increase speed. Push to the negative (-) symbol to decrease speed.
- If you desire to lock the switch on at a given speed, depress the switch trigger, push in and hold the lock-on button, and release the switch trigger. Adjust the variable speed lever until the desired speed is reached.
- Avoid running the saw at low speeds for extended periods of time. Running at low speeds under constant usage may cause the saw to become overheated. If this occurs, cool the saw by running it without a load and at full speed.

Use these guidelines to determine correct speed for various applications:

- **LOW** speed is ideal when minimum speed and power is required; for example, starting cuts.
- **MEDIUM** speed is suitable for cutting hard metals, plastics, and laminates.
- **HIGH** speed produces best results when maximum power is required, for example, cutting wood. Soft metals such as aluminum, brass, and copper may also require high speeds.

OPERATION

ORBITAL MOTION

See Figure 7, page 11.

Orbital motion provides faster, more efficient cutting. The blade cuts through your work in the upstroke but does not drag across your work in the downstroke.

Choose from four orbital adjustment positions for fine to aggressive cutting. The higher settings should be used when fast cutting in soft material is desired. The lower settings should be used when cutting materials with more resistance.

Orbital Setting	Material Type	Suggested Blade Type	TPI (Teeth per inch)	Speed Setting	Orbital Action
0	Counter Top, Laminate Board	Wood Cutting Blade	10-12 (Down Stroke Blade)	Max Speed	No Orbit
	Thin Sheet Metal	Metal Cutting Blade	14-24	Slow - Medium Speed	No Orbit
1	Plastics and PVC	Wood Cutting Blade	10-12	Medium Speed	Minimal Orbit
	Scrolling or Curving Cuts in Wood	Scrolling Wood Blade	10-12	Max Speed	Minimal Orbit
2	Plywood, Decking and Hardwood	Wood Cutting Blade	6-12	Medium - Max Speed	Medium Orbit
3	General Lumber and Soft Wood	Wood Cutting Blade	6-10	Medium - Max Speed	Maximum Orbit

OPTIONAL EDGE GUIDE (NOT INCLUDED)

See Figure 8, page 11.

An optional edge guide may be purchased separately. It can be used for making crosscuts and rip cuts.

- Remove the battery pack.
- Insert the edge guide through the two slots in the base of the saw.
- Adjust to the desired width and lock in place with the edge guide screw.
- Replace the battery pack.

SCROLL CUTTING

See Figure 9, page 11.

Scroll cuts can be made with the jig saw by guiding the direction of the cut with applied pressure on the handle as shown.

NOTE: Using blades specifically designed for scroll cutting will reduce stress on the saw and produce better cutting results.

WARNING:

Excessive side pressure to the blade could result in broken blades or damage to the material being cut. Broken blades could result in serious personal injury.

PLUNGE CUTTING

See Figure 10, page 11.

WARNING:

To avoid loss of control, broken blades, or damage to the material being cut, always use extreme caution when making plunge cuts. We do not recommend plunge cutting on materials other than wood.

- Mark the line of cut clearly on the workpiece.
- Set the cutting angle at 0°.
- Tilt the saw forward so that it rests on the front edge of the base and blade will not come in contact with the workpiece when the saw is turned on.
- Make sure the blade is inside the area to be cut.
- Using high speed, start the saw and slowly lower the blade into the workpiece until the blade cuts through the wood.
- Continue lowering the blade into the workpiece until the base rests flat on the work surface, then move the saw forward to complete the opening.
- Use only the 7 teeth per inch blade for this type of cut.

OPERATION

ANGLE CUTTING (BEVEL CUTTING)

See Figures 11-12, page 11.

Bevel cutting angles may be adjusted from 0° to 45° right or left. Angles for cuts from 0° to 45° in 15° increments are marked on a scale on both the left and right side of the base. Notches on the underside of the base provide positive stops at each of the above mentioned 15° increments. A protractor is recommended when accurate cuts are required.

- Remove the battery pack.
- Remove the hex key from the storage compartment. Loosen the two base pivot screws until the base can be moved.
NOTE: Do not completely remove screws.
- Slide the base backward until the base can move freely left and right.

- Align the pointer on the housing with the desired angle indicated on the scale on the saw base.
- Once the desired angle is reached, slide base forward until the tab on the motor housing aligns with the appropriate notch on the underside of the base.

NOTE: When making a set-up for accurate cuts with a protractor, or for angles other than the preset 15° increments, the positive stop notches on the underside of the base are not used.

- Tighten the base pivot screws securely.
- Return the hex key to the storage compartment.
- Replace the battery pack.

MAINTENANCE

WARNING:

When servicing, use only identical replacement parts. Use of any other parts could create a hazard or cause product damage.

GENERAL MAINTENANCE

Avoid using solvents when cleaning plastic parts. Most plastics are susceptible to damage from various types of commercial solvents and may be damaged by their use. Use clean cloths to remove dirt, dust, oil, grease, etc.

ACCESSORIES

Look for these accessories where you purchased this product or call 1-800-525-2579:

- Edge Guide Kit202936001

WARNING:

Current attachments and accessories available for use with this product are listed above. Do not use any attachments or accessories not recommended by the manufacturer of this product. The use of attachments or accessories not recommended can result in serious personal injury.

**This product has a Three-year Limited Warranty.
For Warranty details go to www.ryobitools.com**

**NOTE: FIGURES (ILLUSTRATIONS) START ON PAGE 9
AFTER FRENCH AND SPANISH LANGUAGE SECTIONS.**

RÈGLES DE SÉCURITÉ RELATIVES AUX OUTILS ÉLECTRIQUES



AVERTISSEMENT

Lire tous les avertissements et toutes les instructions. Ne pas suivre l'ensemble des avertissements et des instructions peut entraîner une électrocution, un incendie ou des blessures graves.

Conservier les avertissements et les instructions à des fins de référence ultérieure. Le terme « outil motorisé », utilisé dans tous les avertissements ci-dessous désigne tout outil fonctionnant sur secteur (câblé) ou sur piles (sans fil).

SÉCURITÉ DU LIEU DE TRAVAIL

- **Garder le lieu de travail propre et bien éclairé.** Les endroits encombrés ou sombres sont propices aux accidents.
- **Ne pas utiliser d'outils électriques dans des atmosphères explosives, par exemple en présence de liquides, gaz ou poussières inflammables.** Les outils électriques produisent des étincelles risquant d'enflammer les poussières ou vapeurs.
- **Garder les enfants et badauds à l'écart pendant l'utilisation d'un outil électrique.** Les distractions peuvent causer une perte de contrôle.

SÉCURITÉ ÉLECTRIQUE

- **Les fiches des outils électriques doivent correspondre à la prise secteur utilisée. Ne jamais modifier la fiche, de quelque façon que ce soit. Ne jamais utiliser d'adaptateurs de fiche avec des outils mis à la terre.** Les fiches et prises non modifiées réduisent le risque de choc électrique.
- **Éviter tout contact du corps avec des surfaces mises à la terre, telles que tuyaux, radiateurs, cuisinières et réfrigérateurs.** Le risque de choc électrique est accru lorsque le corps est mis à la terre.
- **Ne pas exposer les outils électriques à l'eau ou l'humidité.** La pénétration d'eau dans ces outils accroît le risque de choc électrique.
- **Ne pas maltraiter le cordon d'alimentation. Ne jamais utiliser le cordon d'alimentation pour transporter l'outil et ne jamais débrancher ce dernier en tirant sur le cordon. Garder le cordon à l'écart de la chaleur, de l'huile, des objets tranchants et des pièces en mouvement.** Un cordon endommagé ou emmêlé accroît le risque de choc électrique.
- **Pour les travaux à l'extérieur, utiliser un cordon spécialement conçu à cet effet.** Utiliser un cordon conçu pour l'usage extérieur pour réduire les risques de choc électrique.
- **S'il est nécessaire d'utiliser l'outil électrique dans un endroit humide, employer un dispositif interrupteur de défaut à la terre (GFCI).** L'utilisation d'un GFCI réduit le risque de décharge électrique.
- **Ne recharger les piles qu'avec l'appareil indiqué.** Pour utiliser l'appareil avec des piles au nickel-cadmium et au lithium-ion de 18 V, consulter le supplément de raccordement pour chargeur/outils/piles/appareil n° 987000-432.

SÉCURITÉ PERSONNELLE

- **Rester attentif, prêter attention au travail et faire preuve de bon sens lors de l'utilisation de tout outil électrique. Ne pas utiliser cet outil en état de fatigue ou sous l'influence de l'alcool, de drogues ou de médicaments.** Un moment

d'inattention pendant l'utilisation d'un outil électrique peut entraîner des blessures graves.

- **Utiliser l'équipement de sécurité. Toujours porter une protection oculaire.** L'équipement de sécurité, tel qu'un masque filtrant, de chaussures de sécurité, d'un casque ou d'une protection auditive, utilisé dans des conditions appropriées réduira le risque de blessures.
- **Éviter les démarrages accidentels. S'assurer que le commutateur est en position d'arrêt avant de brancher l'outil.** Porter un outil avec le doigt sur son commutateur ou brancher un outil dont le commutateur est en position de marche peut causer un accident.
- **Retirer les clés de réglage avant de mettre l'outil en marche.** Une clé laissée sur une pièce rotative de l'outil peut causer des blessures.
- **Ne pas travailler hors de portée. Toujours se tenir bien campé et en équilibre.** Ceci permettra de mieux contrôler l'outil en cas de situation imprévue.
- **Porter une tenue appropriée. Ne porter ni vêtements amples, ni bijoux. Garder les cheveux, les vêtements et les gants à l'écart des pièces en mouvement.** Les vêtements amples, bijoux et cheveux longs peuvent se prendre dans les pièces en mouvement.
- **Si les outils sont équipés de dispositifs de dépoussiérage, s'assurer qu'ils sont connectés et correctement utilisés.** L'usage de ces dispositifs de dépoussiérage peut réduire les dangers présentés par la poussière.
- **Ne porter ni vêtements amples, ni bijoux. Attacher ou couvrir les cheveux longs.** Les vêtements amples, bijoux et cheveux longs peuvent se prendre dans les ouïes d'aération.
- **Ne pas utiliser l'outil sur une échelle ou un support instable.** Une bonne tenue et un bon équilibre permettent de mieux contrôler l'outil en cas de situation imprévue.

UTILISATION ET ENTRETIEN DES OUTILS ÉLECTRIQUES

- **Ne pas forcer l'outil. Utiliser l'outil approprié pour l'application.** Un outil approprié exécutera le travail mieux et de façon moins dangereuse s'il est utilisé dans les limites prévues.
- **Ne pas utiliser l'outil si le commutateur ne permet pas de le mettre en marche ou de l'arrêter.** Tout outil qui ne peut pas être contrôlé par son commutateur est dangereux et doit être réparé.
- **Débrancher l'outil et/ou retirer le bloc-piles avant d'effectuer des réglages, de changer d'accessoire ou de remiser l'outil.** Ces mesures de sécurité préventives réduisent les risques de démarrage accidentel de l'outil.
- **Ranger les outils motorisés hors de la portée des enfants et ne laisser personne n'étant pas familiarisé avec l'outil ou ces instructions utiliser l'outil.** Dans les mains de personnes n'ayant pas reçu des instructions adéquates, les outils sont dangereux.
- **Entretien des outils motorisés. Vérifier qu'aucune pièce mobile n'est mal alignée ou bloquée, qu'aucune pièce n'est brisée et s'assurer qu'aucun autre problème ne risque d'affecter le bon fonctionnement de l'outil. En cas de dommages faire réparer l'outil avant de l'utiliser de nouveau.** Beaucoup d'accidents sont causés par des outils mal entretenus.

RÈGLES DE SÉCURITÉ RELATIVES AUX OUTILS ÉLECTRIQUES

- **Garder les outils bien affûtés et propres.** Des outils correctement entretenus et dont les tranchants sont bien affûtés risquent moins de se bloquer et sont plus faciles à contrôler.
- **Utiliser l'outil, les accessoires et embouts, etc. conformément à ces instructions pour les applications pour lesquelles ils sont conçus, en tenant compte des conditions et du type de travail à exécuter.** L'usage d'un outil motorisé pour des applications pour lesquelles il n'est pas conçu peut être dangereux.

UTILISATION ET ENTRETIEN DE LA PILE

- **Ne recharger qu'avec l'appareil spécifié par le fabricant.** Un chargeur approprié pour un type de pile peut créer un risque d'incendie s'il est utilisé avec un autre type de pile.
- **Utiliser exclusivement le bloc-pile spécifiquement indiqué pour l'outil.** L'usage de tout autre bloc peut créer un risque de blessures et d'incendie.
- **Lorsque le bloc-piles n'est pas en usage, le garder à l'écart d'articles tels qu'attaches trombones, pièces de monnaie, clous, vis ou autres petits objets métalliques risquant**

d'établir le contact entre les deux bornes. La mise en court-circuit des bornes de piles peut causer des étincelles, des brûlures ou un incendie.

- **En cas d'usage abusif, du liquide peut s'échapper des piles. Éviter tout contact avec ce liquide. En cas de contact accidentel, rincer immédiatement les parties atteintes avec de l'eau. En cas d'éclaboussure dans les yeux consulter un médecin.** Le liquide s'échappant des piles peut causer des irritations ou des brûlures.

DÉPANNAGE

- **Les réparations doivent être confiées à un technicien qualifié, utilisant exclusivement des pièces identiques à celles d'origine.** Ceci assurera le maintien de la sécurité de l'outil.
- **Utiliser exclusivement des pièces identiques à celles d'origine pour les réparations. Se conformer aux instructions de la section Entretien de ce manuel.** L'usage de pièces non autorisées ou le non-respect des instructions peut présenter des risques de choc électrique ou de blessures.




AVERTISSEMENTS DE SÉCURITÉ RELATIVES SCIE SAUTEUSE

- **Lorsque l'outil est utilisé pour un travail risquant de le mettre en contact avec des fils électriques cachés, le tenir par les surfaces de prise isolées.** Le contact d'un accessoire de coupe avec un fil sous tension « électrifie » les pièces métalliques exposées de l'outil et peut électrocuter l'utilisateur.
- **Dans la mesure du possible, utiliser des serre-joint pour maintenir la pièce sur une surface stable.** Une pièce tenue à la main ou contre son corps le rend instable et peut causer une perte de contrôle.
- **Apprendre à connaître l'outil. Lire attentivement le manuel d'utilisation. Apprendre les applications et les limites de l'outil, ainsi que les risques spécifiques relatifs à son utilisation.** Le respect de cette consigne réduira les risques d'incendie, de choc électrique et de blessures graves.
- **Toujours porter une protection oculaire munie d'écrans latéraux certifiée conforme à la norme ANSI Z87.1 lors du montage des pièces, du fonctionnement de l'outil ou au moment de l'entretien.** Le respect de cette règle réduira les risques de blessures graves.
- **Protection respiratoire. Porter un masque facial ou un masque antipoussière si le travail produit de la poussière.** Le respect de cette consigne réduira les risques de blessures graves.
- **Protection auditive. Porter une protection auditive lors de l'utilisation prolongée.** Le respect de cette règle réduira les risques de blessures graves.
- **Les outils fonctionnant sur piles n'ayant pas besoin d'être branchés sur une prise secteur, ils sont toujours en état de fonctionnement. Tenir compte des dangers possibles lorsque l'outil n'est pas en usage et lors du remplacement des piles.** Le respect de cette consigne réduira les risques d'incendie, de choc électrique et de blessures graves.
- **Ne pas placer les outils électriques sans fil ou leurs piles à proximité de flammes ou d'une source de chaleur.** Ceci réduira les risques d'explosion et de blessures.







- **Ne pas écraser, faire tomber ou endommager le bloc-piles. Ne jamais utiliser un bloc-piles ou un chargeur qui est tombé, a été écrasé, a reçu un choc violent ou a été endommagé de quelque façon que ce soit.** Une pile endommagée risque d'exploser. Éliminer immédiatement toute pile endommagée, selon une méthode appropriée.
- **Les piles peuvent exploser en présence d'une source d'allumage, telle qu'une veilleuse.** Pour réduire les risques de blessures graves, ne jamais utiliser un appareil sans fil, quel qu'il soit, en présence d'une flamme vive. En explosant, une pile peut projeter des débris et des produits chimiques. En cas d'exposition, rincer immédiatement les parties atteintes avec de l'eau.
- **Ne pas recharger un outil fonctionnant sur piles dans un endroit humide ou mouillé.** Le respect de cette règle réduira les risques de choc électrique.
- **Pour un résultat optimal, le piles de l'outil doivent être rechargées dans un local où la température est de 10 à 38 °C (50 à 100°F). Ne pas ranger l'outil à l'extérieur ou dans un véhicule.**
- **Si l'outil est utilisé de façon intensive ou sous des températures extrêmes, des fuites de pile peuvent se produire. En cas de contact du liquide avec la peau, rincer immédiatement la partie atteinte avec de l'eau. En cas d'éclaboussure dans les yeux, les rincer à l'eau fraîche pendant au moins 10 minutes, puis contacter immédiatement un médecin.** Le respect de cette règle réduira les risques de blessures graves.
- **Conserver ces instructions.** Les consulter fréquemment et les utiliser pour instruire les autres utilisateurs éventuels. Si cet outil est prêté, il doit être accompagné de ces instructions.

SYMBOLES

Les termes de mise en garde suivants et leur signification ont pour but d'expliquer le degré de risques associé à l'utilisation de ce produit.

SYMBOLE	SIGNAL	SIGNIFICATION
	DANGER :	Indique une situation extrêmement dangereuse qui, si elle n'est pas évitée, aura pour conséquences des blessures graves ou mortelles.
	AVERTISSEMENT :	Indique une situation potentiellement dangereuse qui, si elle n'est pas évitée, pourrait entraîner des blessures graves ou mortelles.
	ATTENTION :	Indique une situation potentiellement dangereuse qui, si elle n'est pas évitée, pourrait entraîner des blessures légères ou de gravité modérée.
	AVIS :	(Sans symbole d'alerte de sécurité) Indique une information importante ne concernant pas un risque de blessure comme une situation pouvant occasionner des dommages matériels.

Certains des symboles ci-dessous peuvent être utilisés sur produit. Veiller à les étudier et à apprendre leur signification. Une interprétation correcte de ces symboles permettra d'utiliser produit plus efficacement et de réduire les risques.

SYMBOLE	NOM	DÉSIGNATION / EXPLICATION
	Symbole d'alerte de sécurité	Indique un risque de blessure potentiel.
	Lire manuel d'utilisation	Pour réduire les risques de blessures, l'utilisateur doit lire et veiller à bien comprendre le manuel d'utilisation avant d'utiliser ce produit.
	Protection oculaire	Toujours porter une protection oculaire avec écrans latéraux certifiée conforme à la norme ANSI Z87.1.
	Avertissement concernant l'humidité	Ne pas exposer à la pluie ou l'humidité.
	Symbole mains à l'écart	Le non-respect de cette mise en garde peut entraîner des blessures graves.
	Symboles de recyclage	Ce produit utilise les piles de nickel-cadmium (Ni-Cd) et lithium-ion (Li-ion). Les réglementations locales ou gouvernementales peuvent interdire de jeter les piles dans les ordures ménagères. Consulter les autorités locales compétentes pour les options de recyclage et/ou l'élimination.
V	Volts	Tension
min	Minutes	Temps
≡	Courant continu	Type ou caractéristique du courant
n_0	Vitesse à vide	Vitesse de rotation à vide
.../min	Par minute	Tours, coups, vitesse périphérique, orbites, etc., par minute

CARACTÉRISTIQUES

FICHE TECHNIQUE

Course 25,4 mm (1 po)
Coups par minute 1 100 - 3 000 s/min (SPM)

Angle de coupe 0° à 45° à droite et à gauche
Mouvement orbital 4 réglages

ASSEMBLAGE

AVERTISSEMENT :

Ne pas utiliser le produit s'il n'est pas complètement assemblé ou si des pièces semblent manquantes ou endommagées. L'utilisation d'un produit dont l'assemblage est incorrect ou incomplet ou comportant des pièces endommagées ou absentes représente un risque de blessures graves.

AVERTISSEMENT :

Ne pas essayer de modifier cet outil ou de créer des pièces et accessoires non recommandés. De telles altérations ou modifications sont considérées comme un usage abusif et peuvent créer des conditions dangereuses, risquant d'entraîner des blessures graves.

Si des pièces manquent ou sont endommagées, veuillez appeler au 1-800-525-2579 pour obtenir de l'aide.

UTILISATION

AVERTISSEMENT :

Ne pas laisser la familiarité avec l'outil faire oublier la prudence. Ne pas oublier qu'une fraction de seconde d'inattention peut entraîner des blessures graves.

AVERTISSEMENT :

Toujours retirer la bloc-pile de l'outil au moment d'assembler des pièces, d'effectuer des réglages et de procéder au nettoyage, ou lorsque l'outil n'est pas utilisé. Le fait de retirer la pile permet d'empêcher un démarrage accidentel pouvant entraîner des blessures graves.

AVERTISSEMENT :

Toujours porter une protection oculaire avec écrans latéraux certifiée conforme à la norme ANSI Z87.1. Si une opération dégage de la poussière, porter également un masque anti-poussière.

AVERTISSEMENT :

Ne pas utiliser d'outils ou accessoires non recommandés par le fabricant pour cet outil. L'utilisation de pièces et accessoires non recommandés peut entraîner des blessures graves.

APPLICATIONS

Cet produit peut être utilisé pour les applications ci-dessous :

- Coupe du bois, tôle mince, plastiques et laminés.

Pour prendre connaissance de l'ensemble des instructions relatives à la charge, consulter les manuels d'utilisation des blocs-piles et chargeur.

GÂCHETTE/BOUTON DE VERROUILLAGE

Voir la figure 1, page 9.

Interrupteur de marche/arrêt verrouillable pratique lors de coupes effectuées pendant de longues périodes. Situé sur la poignée au-dessus de la gâchette.

- **Pour mettre la scie en marche :** Appuyer sur la gâchette.
- **Pour arrêter la scie :** Relâcher la gâchette.
- **Pour verrouiller :** Appuyer sur la gâchette. Enfoncer et maintenir le bouton de verrouillage. Relâcher la gâchette.
- **Pour déverrouiller :** Appuyer sur la gâchette.

INSTALLATION / RETRAIT DU BLOC-PILES

Voir la figure 2, page 9.

Pour installer :

- Installer la bloc-pile sur l'outil.
- S'assurer que ses deux loquets latéraux s'engagent correctement et vérifier que le bloc est solidement assujéti avant d'utiliser l'outil.

Pour retirer :

- Appuyer sur les loquets de chaque côté du bloc-piles.
- Retirer la bloc-piles de l'outil.

AVERTISSEMENT :

Les outils à piles sont toujours en état de fonctionnement. Le fait de retirer la pile permet d'empêcher un démarrage accidentel pouvant entraîner des blessures graves.

UTILISATION

CHOIX DE LA LAME

Pour une performance optimale, sélectionner une lame conçue pour le travail à effectuer et le type de matériau à couper. Ce choix aidera à l'exécution d'une coupe souple et rapide et prolongera la durée de vie de la lame.

AVERTISSEMENT :

Cet outil est conçu pour le travail avec des lames à tige en T. L'utilisation avec des lames qui ne sont de type à tige en T peut entraîner le détachement des lames de l'outil, provoquant des blessures ou des dommages.

INSTALLATION DES LAMES

Voir la figure 3, page 10.

La conception du serre-lame sans outil ne nécessite aucune clé pour lame pour installer ou retirer la lame.

- Retirer le bloc-piles.
- Tourner le verrou du serre-lame vers la gauche. Maintenir le verrou en position ouverte.
- Insérer la lame de scie à tige en T dans la fente et pousser jusqu'à ce qu'elle soit complètement insérée.
- Relâcher le verrou du serre-lame et s'assurer que la lame est installée correctement.
- Remettre le bloc-piles en place.

BladeSaver™ SUPPORT

See Figure 4, page 10.

La conception de la caractéristique BladeSaver™ repose sur une base « réglable selon l'usage ». Au fur et à mesure que la lame s'use, la base de la scie peut être réglée à la verticale par incréments de 3,2 mm (1/8 po) pour pouvoir utiliser les dents de lames inutilisées pour continuer la coupe.

Cette caractéristique peut être utilisée pour les coupes droites, plongeantes et les biseaux.

La scie sauteuse est équipée de 4 encliquetages situés sur le côté pour pouvoir régler la base.

Réglage de la caractéristique BladeSaver™ :

- Retirer le bloc-piles.
- Retirer la clé hexagonale de son logement. Fournie pour dévisser les deux vis situées sur le côté du support.
NOTE : Il n'est pas nécessaire de retirer les vis. Les tourner vers la gauche suffisamment pour dégager la base et procéder au réglage.
- Régler la base à la position désirée indiquée par les encliquetages situés sur le support BladeSaver™.
- Visser fermement les vis et réinstaller le bloc-piles. Remettre la clé hexagonale dans le compartiment de rangement.

La portion inutilisée de la lame variera selon l'épaisseur du matériau à travailler la longueur de la lame.

SCIAGE GÉNÉRAL

Voir la figure 5, page 10.

Placer le devant de la base de la scie contre la pièce à couper et aligner le tranchant de la lame sur la ligne de coupe tracée sur la pièce. Mettre la scie en marche et la pousser vers l'avant. Appuyer sur la scie de manière à assurer sa stabilité et la pousser vers l'avant avec juste assez de force pour que la lame continue de couper. Ne pas forcer la scie pour ne pas causer une surchauffe du moteur et la cassure de la lame. Les lames brisées doivent être remplacées.

COUPE DROITE

Voir la figure 5, page 10.

Une coupe droite peut être exécuté en assujettissant une planche ou une règle sur la pièce à couper pour guider la scie. Ne couper que dans un sens, ne jamais couper jusqu'à la moitié d'une pièce dans un sens et terminer la coupe dans l'autre.

LEVIER DE VITESSE VARIABLE

Voir la figure 6, page 10.

Cette scie est équipée d'un levier de vitesse variable permettant à l'opérateur d'ajuster la vitesse et le couple.

Pour augmenter et réduire le vitesse de coupe :

- Tenir la scie en position normale. Pousser le levier de vitesse vers le signe (+) pour augmenter la vitesse et le couple. Pousser le levier vers le signe (-) pour réduire la vitesse et le couple.
- Pour verrouiller la scie à une vitesse donnée, appuyer sur la gâchette, maintenir le bouton de verrouillage enfoncé et relâcher la gâchette. Ensuite tourner le levier de vitesse pour obtenir la vitesse désirée.
- Éviter d'utiliser la scie à basse vitesse pendant des périodes prolongées. Ceci pourrait causer une surchauffe. Si la scie surchauffe, la faire refroidir en la laissant tourner à vide et à la vitesse maximum.

Pour déterminer la vitesse à utiliser en fonction de l'application :

- **La BASSE** vitesse est idéale lorsqu'un minimum de puissance est nécessaire, par exemple pour entamer une coupe.
- **La MOYENNE** vitesse convient à la coupe des métaux, plastiques et matériaux laminés.
- **La HAUTE** vitesse est préférable lorsqu'un maximum de puissance est nécessaire, par exemple pour la coupe de bois. Les métaux tendres, tels que l'aluminium, le laiton et le cuivre peuvent également nécessiter une vitesse élevée.

UTILISATION

ORBITAL MOTION

See Figure 7, page 11.

Le mouvement orbital permet d'effectuer une coupe rapide et plus efficace. La lame coupe dans sa course vers le haut, mais ne frotte pas contre le matériau lors de sa course vers le bas.

Choisir l'une des quatre positions de réglage d'orbite pour obtenir une coupe fine à agressive. Choisir l'une des quatre

positions de réglage d'orbite pour obtenir une coupe fine à agressive. Les valeurs de réglage les plus élevées doivent être utilisées pour la coupe rapide dans un matériau tendre. Les valeurs de réglage les plus basses doivent être utilisées pour la coupe de matériaux plus résistants.

Réglages d'orbite	Type de matériaux	Suggère le type de lame	TPI (dents par pouce)	Réglages de vitesse	Mouvement orbital
0	Comptoir, conseil en stratifié	Lame à bois	10-12 (lame de descente)	Vitesse maximale	Pas de mouvement orbital
	Tôle	Lame pour coupe de métaux (non inclus)	14-24	Lente - Vitesse moyen	Pas de mouvement orbital
1	Plastiques et P.V.C.	Lame à bois	10-12	Vitesse moyen	Minime mouvement orbital
	Défilement ou courbe coupe en la bois	Lame pour coupe défilement	10-12	Vitesse maximale	Minime mouvement orbital
2	Contreplaqué, platelage et planchers en bois	Lame à bois	6-12	Moyen - Vitesse maximale	Moyen mouvement orbital
3	Général de bois et bois tendre	Lame à bois	6-10	Moyen - Vitesse maximale	Maximum mouvement orbital

GUIDE DE CHANT OPTIONNEL (NON INCLUS)

Voir la figure 8, page 11.

Un guide de chant en option peut être achetée séparément. Ce guide peut être utilisé pour les coupes transversales et longitudinales.

- Retirer le bloc-piles.
- Insérer le guide de chant dans les deux fentes de la base, comme illustré.
- Régler le guide sur la largeur désirée et l'assujettir avec sa vis.
- Remettre le bloc-piles en place.

DÉCOUPE DE FORMES

Voir la figure 9, page 11.

Les découpes de formes sont exécutées en guidant la scie sauteuse par pression sur la poignée, comme illustré.

NOTE : L'utilisation de lames spécialement conçues pour exécuter des profils en spirale réduira la contrainte de la scie et produira de meilleurs résultats de coupe.

AVERTISSEMENT :

Une pression latérale excessive sur la lame peut la briser et endommager la pièce en train d'être coupée. Lames brisées pourraient entraîner des blessures graves.

COUPE PLONGEANTE

Voir la figure 10, page 11.

AVERTISSEMENT :

Lors des coupes plongeantes, prendre les précautions les plus extrêmes afin de ne pas risquer de perdre le contrôle de la scie, briser la lame ou endommager la pièce en train d'être coupée. Nous recommandons de ne pas pratiquer de coupes plongeantes dans des matériaux autres que le bois.

- Marquer clairement la ligne de coupe sur la pièce.
- Régler l'angle de coupe à 0°.
- Incliner la scie vers l'avant, de manière à ce qu'elle repose sur le devant de sa base et que la lame n'entre pas en contact avec la pièce à couper lorsque la scie est mise en marche.
- S'assurer que la lame est à l'intérieur de la partie à couper.
- Mettre la scie en marche à la vitesse maximum et abaisser lentement la lame dans la pièce à couper, jusqu'à ce qu'elle morde dans le bois.
- Continuer d'abaisser la lame dans la pièce, jusqu'à ce que la base de la scie repose à plat sur la pièce, puis pousser la scie vers l'avant pour achever la coupe.
- Pour ce type de coupe, utiliser exclusivement une lame à 7 dents par pouce.

UTILISATION

COUPE D'ANGLE (BISEAU)

Voir les figures 11 et 12, page 11.

L'angle de coupe en biseau peut être ajusté de 0 à 45°, à droite ou à gauche. Une échelle se trouvant de chaque côté de la base, présente des graduations de 0, 15, 30 et 45° pour les coupes en biseau. Des encoches situées dessous le moteur servent de butées positives pour chaque incrément de 15° indiqués ci-dessus. Lorsque des angles précis sont nécessaires, il est recommandé d'utiliser un rapporteur.

- Retirer le bloc-piles.
- Retirer la clé hexagonale de son logement. Fournie pour desserrer les deux vis pivots de la base de manière à pouvoir la retirer.

NOTE : Ne pas retirer complètement les vis.

- Glisser la base vers l'arrière jusqu'à ce qu'elle bouge librement de gauche à droite.

- Aligner le pointeur du boîtier avec l'angle désiré indiqué sur la base.

- Une fois que l'angle choisi est atteint, glisser la base vers l'avant jusqu'à ce que l'onglet du logement de moteur s'aligne avec la rainure appropriée se trouvant sous la base.

NOTE : Lors du réglage pour la coupe précise d'un angle mesuré avec un rapporteur ou d'angles autres que les pré-réglages de 15, 30 et 45°, les crans d'arrêt de l'arrière de la base ne sont pas utilisés.

- Serrer fermement les vis pivot de la base.
- Remettre la clé hexagonale dans le compartiment de rangement.
- Remettre le bloc-piles en place.

ENTRETIEN

AVERTISSEMENT :

Utiliser exclusivement des pièces d'origine pour les réparations. L'usage de toute autre pièce pourrait créer une situation dangereuse ou endommager l'produit.

ENTRETIEN GÉNÉRAL

Éviter d'utiliser des solvants pour le nettoyage des pièces en plastique. La plupart des matières plastiques peuvent être endommagées par divers types de solvants du commerce. Utiliser un chiffon propre pour éliminer la saleté, la poussière, l'huile, la graisse, etc.

ACCESSOIRES

Rechercher ces accessoires où vous avez acheté ce produit ou en appelant au 1-800-525-2579 :

- Guide de chant.....202936001

AVERTISSEMENT :

Les outils et accessoires disponibles actuellement pour cet produit sont listés ci-dessus. Ne pas utiliser d'outils ou accessoires non recommandés pour cet produit. L'utilisation de pièces et accessoires non recommandés pouvant entraîner des blessures graves.

**Este producto cuenta con una garantía limitada de tres años.
Pour obtenir de détails de la garantie, visitez le site www.ryobitools.com**

**NOTE : FIGURES (ILLUSTRATIONS) COMMENÇANT SUR 9 DE PAGE
APRÈS LE SECTION ESPAGNOL.**

ADVERTENCIAS DE SEGURIDAD PARA HERRAMIENTAS ELÉCTRICAS



ADVERTENCIA

Lea todas las advertencias de seguridad y las instrucciones. El incumplimiento de las advertencias e instrucciones puede ocasionar descarga eléctrica, fuego o lesiones graves.

Guarde todas las advertencias e instrucciones para futuras consultas. El término “herramienta eléctrica” empleado en todos los avisos de advertencia enumerados abajo se refiere a las herramientas eléctricas de cordón (alámbricas) y de baterías (inalámbricas).

SEGURIDAD EN EL ÁREA DE TRABAJO

- **Mantenga limpia y bien iluminada el área de trabajo.** Un área de trabajo mal despejada o mal iluminada propicia accidentes.
- **No utilice herramientas motorizadas en atmósferas explosivas, como las existentes alrededor de líquidos, gases y polvos inflamables.** Las herramientas eléctricas generan chispas que pueden encender el polvo y los vapores inflamables.
- **Mantenga alejados a los niños y circunstantes al maniobrar una herramienta eléctrica.** Toda distracción puede causar pérdida del control de la herramienta.

SEGURIDAD ELÉCTRICA

- **Las clavijas de las herramientas eléctricas deben corresponder a las tomas de corriente donde se conectan. Nunca modifique la clavija de ninguna forma. No utilice ninguna clavija adaptadora con herramientas eléctricas dotadas de contacto a tierra.** Conectando las clavijas originales en las tomas de corriente donde corresponden se disminuye el riesgo de una descarga eléctrica.
- **Evite el contacto del cuerpo con las superficies de objetos que estén haciendo tierra o estén conectados a ésta, como tuberías, radiadores, estufas y refrigeradores.** Existe un mayor riesgo de descargas eléctricas si el cuerpo está haciendo tierra.
- **No exponga las herramientas eléctricas a la lluvia ni a condiciones de humedad.** La introducción de agua en una herramienta eléctrica aumenta el riesgo de descargas eléctricas.
- **No maltrate el cordón eléctrico. Nunca utilice el cordón para trasladar, desconectar o tirar de la herramienta eléctrica. Mantenga el cordón alejado del calor, del aceite, de bordes afilados y de piezas móviles.** Los cordones eléctricos dañados o enredados aumentan el riesgo de descargas eléctricas.
- **Al utilizar una herramienta eléctrica a la intemperie, use un cordón de extensión apropiado para el exterior.** Usando un cordón adecuado para el exterior se disminuye el riesgo de descargas eléctricas.
- **Si debe operar una herramienta en lugares húmedos, use un suministro protegido por un interruptor de circuito con pérdida a tierra (GFCI).** El uso de un GFCI reduce el riesgo de descargas eléctricas.
- **Cargue las baterías solamente con el cargador indicado. Para utilizar con paquetes de baterías de níquel-cadmio de 18 V o de iones de litio de 18 V, consulte el folleto de la herramienta/aparato/paquete de baterías/cargador complementario 987000-432.**

SEGURIDAD PERSONAL

- **Permanezca alerta, preste atención a lo que esté haciendo y aplique el sentido común al utilizar herramientas eléctricas. No utilice la herramienta eléctrica si está cansado o se encuentra bajo los efectos de alguna droga, alcohol o**

medicamento. Un momento de inatención al utilizar una herramienta eléctrica puede causar lesiones corporales serias.

- **Use equipo de seguridad. Siempre póngase protección ocular.** El uso de equipo de seguridad como mascarilla para el polvo, calzado de seguridad, casco y protección para los oídos en las circunstancias donde corresponda disminuye el riesgo de lesiones.
- **Evite un arranque accidental de la unidad. Asegúrese de que el interruptor esté en la posición de apagado antes de conectar la herramienta.** Portar las herramientas eléctricas con el dedo en el interruptor, o conectarlas con el interruptor puesto, propicia accidentes.
- **Retire toda llave o herramienta de ajuste antes de encender la herramienta eléctrica.** Toda llave o herramienta de ajuste dejada en una pieza giratoria de la herramienta eléctrica puede causar lesiones.
- **No estire el cuerpo para alcanzar mayor distancia. Mantenga una postura firme y buen equilibrio en todo momento.** De esta manera se logra un mejor control de la herramienta eléctrica en situaciones inesperadas.
- **Vístase adecuadamente. No vista ropas holgadas ni joyas. Mantenga el cabello, la ropa y los guantes alejados de las piezas móviles.** Las ropas holgadas, las joyas y el cabello largo pueden engancharse en las piezas móviles.
- **Si se suministran dispositivos para conectar mangueras de extracción y captación de polvo, asegúrese de que éstas estén bien conectadas y se usen correctamente.** La utilización de captador de polvo puede disminuir los peligros relacionados con el polvo.
- **No vista ropas holgadas ni joyas. Recójase el cabello si está largo.** Las ropas holgadas y las joyas, así como el cabello largo, pueden resultar atraídas hacia el interior de las aberturas de ventilación.
- **No utilice la unidad al estar en una escalera o en un soporte inestable.** Una postura estable sobre una superficie sólida permite un mejor control de la herramienta eléctrica en situaciones inesperadas.

EMPLEO Y CUIDADO DE LA HERRAMIENTA ELÉCTRICA

- **No fuerce la herramienta eléctrica. Utilice la herramienta eléctrica adecuada para cada trabajo.** La herramienta eléctrica adecuada efectúa mejor y de manera más segura el trabajo, si además se maneja a la velocidad para la que está diseñada.
- **No utilice la herramienta si el interruptor no enciende o no apaga.** Cualquier herramienta eléctrica que no pueda controlarse con el interruptor es peligrosa y debe repararse.
- **Desconecte la clavija del suministro de corriente o retire el paquete de baterías de la herramienta eléctrica, según sea el caso, antes de efectuarle cualquier ajuste, cambiarle accesorios o guardarla.** Tales medidas preventivas de seguridad reducen el riesgo de poner en marcha accidentalmente la herramienta.
- **Guarde las herramientas eléctricas desocupadas fuera del alcance de los niños y no permita que las utilicen personas no familiarizadas con las mismas o con estas instrucciones.** Las herramientas eléctricas son peligrosas en manos de personas no capacitadas en el uso de las mismas.
- **Preste servicio a las herramientas eléctricas. Revise para ver si hay desalineación o atoramiento de piezas móviles, ruptura de piezas o cualquier otra condición que pueda afectar el funcionamiento de la herramienta. Si está dañada la herramienta eléctrica, permita que la reparen antes de**

ADVERTENCIAS DE SEGURIDAD PARA HERRAMIENTAS ELÉCTRICAS

usarla. Numerosos accidentes son causados por herramientas eléctricas mal cuidadas.

- **Mantenga las herramientas de corte afiladas y limpias.** Las herramientas de corte bien cuidadas y con bordes bien afilados, tienen menos probabilidad de atascarse en la pieza de trabajo y son más fáciles de controlar.
- **Utilice la herramienta eléctrica, los accesorios y brocas, hojas y cuchillas de corte, ruedas de esmeril, etc. de conformidad con estas instrucciones, tomando en cuenta las condiciones de trabajo y la tarea por realizar.** Si se utiliza la herramienta eléctrica para operaciones diferentes de las indicadas podría originar una situación peligrosa.

EMPLEO Y CUIDADO DE LA HERRAMIENTA DE BATERÍAS

- **Sólo cargue el paquete de baterías con el cargador especificado por el fabricante.** Un cargador adecuado para un tipo paquete de baterías puede significar un riesgo de incendio si se emplea con un paquete de baterías diferente.
- **Utilice las herramientas eléctricas sólo con los paquetes de baterías específicamente indicados.** El empleo de paquetes de baterías diferentes puede presentar un riesgo de incendio.

- **Cuando no esté utilizándose el paquete de baterías, manténgalo lejos de otros objetos metálicos, como clips, monedas, llaves, clavos, tornillos o otros objetos metálicos, pequeños que puedan establecer conexión entre ambas terminales.** Establecer una conexión directa entre las dos terminales de las baterías puede causar quemaduras o incendios.
- **Si se maltratan las baterías, puede derramarse líquido de las mismas; evite todo contacto con éste. En caso de contacto, lávese con agua. Si el líquido llega a tocar los ojos, además busque atención médica.** El líquido de las baterías puede causar irritación y quemaduras.

SERVICIO

- **Permita que un técnico de reparación calificado preste servicio a la herramienta eléctrica, y sólo con piezas de repuesto idénticas.** De esta manera se mantiene la seguridad de la herramienta eléctrica.
- **Al dar servicio a una herramienta eléctrica, sólo utilice piezas de repuesto idénticas. Siga las instrucciones señaladas en la sección Mantenimiento de este manual.** El empleo de piezas no autorizadas o el incumplimiento de las instrucciones de mantenimiento puede significar un riesgo de descarga eléctrica o de lesiones.

ADVERTENCIAS DE SEGURIDAD SIERRA DE VAIVÉN




- **Sujete las herramientas eléctricas por las superficies aisladas de sujeción al efectuar una operación en la cual la herramienta de corte pueda entrar en contacto con cables ocultos o con su propio cordón eléctrico.** Todo contacto de una herramienta con un cable cargado carga las piezas metálicas expuestas de la herramienta y da una descarga eléctrica al operador.
- **Utilice prensas o cualquier otro medio práctico de asegurar y sostener la pieza de trabajo en una plataforma segura.** Sostener la pieza con la mano o contra el cuerpo es inestable y puede causar una pérdida de control.
- **Familiarícese con su herramienta eléctrica. Lea cuidadosamente el manual del operador. Aprenda sus usos y limitaciones, así como los posibles peligros específicos de esta herramienta eléctrica.** Con el cumplimiento de esta regla se reduce el riesgo de una descarga eléctrica, incendio o lesión seria.
- **Siempre use protección ocular con laterales protectores con la marca de cumplimiento con la norma ANSI Z87.1 al ensamblar piezas, utilizar la herramienta o llevar a cabo tareas de mantenimiento.** Con el cumplimiento de esta regla se reduce el riesgo de lesiones corporales serias.
- **Protéjase los pulmones. Use una careta o mascarilla contra el polvo si la operación genera mucho polvo.** Con el cumplimiento de esta regla se reduce el riesgo de lesiones serias.
- **Protéjase los oídos. Durante períodos prolongados de utilización del producto, póngase protección para los oídos.** Con el cumplimiento de esta regla se reduce el riesgo de lesiones corporales serias.
- **No se necesita conectar a una toma de corriente las herramientas de baterías; por lo tanto, siempre están en condiciones de funcionamiento. Esté consciente de los posibles peligros cuando no esté usando la herramienta**

de baterías o cuando esté cambiando los accesorios de la misma. Con el cumplimiento de esta regla se reduce el riesgo de una descarga eléctrica, incendio o lesión corporal seria.







- **No coloque herramientas de baterías ni las baterías mismas cerca del fuego o del calor.** De esta manera se reduce el riesgo de explosiones y de lesiones.
- **No aplaste, deje caer o dañe de baterías. Nunca utilice una batería o cargador que se ha caído, aplastado, recibido un golpe contundente o ha sido dañado(a) de alguna manera.** Las baterías dañadas pueden sufrir explosiones. Deseche de inmediato toda batería que haya sufrido una caída o cualquier daño.
- **Las baterías pueden explotar en presencia de fuentes de inflamación, como los pilotos de gas.** Para reducir el riesgo de lesiones serias, nunca use un producto inalámbrico en presencia de llamas expuestas. La explosión de una batería puede lanzar fragmentos y compuestos químicos. Si ha quedado expuesto a la explosión de una batería, lávese de inmediato con agua.
- **No cargue herramientas de baterías en lugares mojados o húmedos.** Con el cumplimiento de esta regla se reduce el riesgo de una descarga eléctrica.
- **Para obtener resultados óptimos, debe cargar la herramienta de baterías en un lugar donde la temperatura esté entre 10 y 38 °C (entre 50 y 100 °F).** No guarde la herramienta a la intemperie ni en el interior de vehículos.
- **En condiciones extremas de uso o temperatura las baterías pueden emanar líquido. Si el líquido llega a tocarle la piel, lávese de inmediato con agua y jabón. Si le entra líquido en los ojos, láveselos con agua limpia por lo menos 10 minutos, y después busque de inmediato atención médica.** Con el cumplimiento de esta regla se reduce el riesgo de lesiones corporales serias.
- **Guarde estas instrucciones.** Consúltelas con frecuencia y empléelas para instruir a otras personas que puedan utilizar esta herramienta. Si presta a alguien esta herramienta, facilítele también las instrucciones.

SÍMBOLOS

Las siguientes palabras de señalización y sus significados tienen el objeto de explicar los niveles de riesgo relacionados con este producto.

SÍMBOLO	SEÑAL	SIGNIFICADO
	PELIGRO:	Indica una situación peligrosa inminente, la cual, si no se evita, causará la muerte o lesiones serias.
	ADVERTENCIA:	Indica una situación peligrosa posible, la cual, si no se evita, podría causar la muerte o lesiones serias.
	PRECAUCIÓN:	Indica una situación peligrosa posible, la cual, si no se evita, podría causar lesiones menores o leves.
	AVISO:	(Sin el símbolo de alerta de seguridad) Indica información importante no relacionada con ningún peligro de lesiones, como una situación que puede ocasionar daños físicos.

Es posible que se empleen en este producto algunos de los siguientes símbolos. Le suplicamos estudiarlos y aprender su significado. Una correcta interpretación de estos símbolos le permitirá utilizar mejor y de manera más segura el producto.

SÍMBOLO	NOMBRE	DENOMINACIÓN/EXPLICACIÓN
	Alerta de seguridad	Indica un peligro posible de lesiones personales.
	Lea el manual del operador	Para reducir el riesgo de lesiones, el usuario debe leer y comprender el manual del operador antes de usar este producto.
	Protección ocular	Siempre póngase protección ocular con protección lateral con la marca de cumplimiento de la norma ANSI Z87.1.
	Alerta de condiciones húmedas	No exponga la unidad a la lluvia ni la use en lugares húmedos.
	Símbolo de no acercar las manos	Si no mantiene las manos alejadas de la hoja de corte, se causará serias lesiones corporales.
	Símbolos de reciclado	Este producto contiene baterías de níquel-cadmio (Ni-Cd) y iones de litio (Li-ion). Es posible que algunas leyes municipales, estatales o federales prohíban desechar las baterías de níquel-cadmio en la basura normal. Consulte a las autoridades reguladoras de desechos para obtener información en relación con las alternativas de reciclado y desecho disponibles.
V	Volts	Voltaje
min	Minutos	Tiempo
==	Corriente continua	Tipo o característica de corriente
n _o	Velocidad en vacío	Velocidad de rotación, en vacío
.../min	Por minuto	Revoluciones, carreras, velocidad superficial, órbitas, etc., por minuto

CARACTERÍSTICAS

ESPECIFICACIONES DEL PRODUCTO

Longitud de la carrera 25.4 mm (1 pulg.)
Carreras por minuto 1 100–3 000 s/min. (SPM)

Ángulo de corte.... De 0° a 45° (a la izquierda y a la derecha)
Movimiento orbital..... 4 ajustes

ARMADO

ADVERTENCIA:

No use este producto si no está totalmente ensamblado o si alguna pieza falta o está dañada. El uso de un producto que no está adecuadamente y completamente ensamblado o posee partes dañadas o faltantes puede resultar en lesiones personales graves.

ADVERTENCIA:

No intente modificar este producto ni crear aditamentos o accesorios que no estén recomendados para usar con este producto. Dichas alteraciones o modificaciones constituyen un uso indebido y podrían provocar una situación de riesgo que cause posibles lesiones personales graves.

Si hay piezas dañadas o faltantes, le suplicamos llamar al 1-800-525-2579, donde le brindaremos asistencia.

FUNCIONAMIENTO

ADVERTENCIA:

No permita que su familiarización con las herramientas lo vuelva descuidado. Tenga presente que un descuido de un instante es suficiente para causar una lesión grave.

ADVERTENCIA:

Siempre retire el paquete de baterías de la herramienta cuando esté ensamblando partes, realizando ajustes, limpiando o cuando ésta no esté en uso. Retirando el paquete de baterías se evita arrancar accidentalmente la unidad, lo cual puede causar lesiones serias.

ADVERTENCIA:

Siempre póngase protección ocular con protección lateral con la marca de cumplimiento de la norma ANSI Z87.1. Si no cumple esta advertencia, los objetos que salen despedidos pueden producirle lesiones serias en los ojos.

ADVERTENCIA:

No utilice ningún aditamento o accesorio no recomendado por el fabricante de esta producto. El empleo de aditamentos o accesorios no recomendados podría causar lesiones serias.

GATILLO DEL INTERRUPTOR/BOTÓN DEL SEGURO DE APAGADO

Vea la figura 1, página 9.

El botón del seguro es conveniente cuando se corta durante extensos períodos de tiempo. Está ubicado en el mango arriba del gatillo del interruptor.

- **Para encender la sierra:** Oprima el gatillo del interruptor.
- **Para apagar la sierra:** Suelte el gatillo del interruptor.
- **Para poner el seguro de encendido:** Oprima el gatillo del interruptor. Presione y mantenga presionado el botón del seguro. Suelte el gatillo del interruptor.
- **Para soltar:** Oprima el gatillo del interruptor.

PARA INSTALAR/DESMONTAR EL PAQUETE DE BATERÍAS

Vea la figura 2, página 9.

Para instalar:

- Coloque el paquete de baterías en la herramienta.
- Asegúrese de que los pestillos situados en ambos lados del paquete de baterías entren completamente en su lugar con un chasquido y de que el paquete quede bien asegurado en la herramienta antes de empezar a utilizar ésta.

Para retirar:

- Oprima los pestillos laterales del paquete de baterías.
- Retire de la herramienta el paquete de baterías.

ADVERTENCIA:

Las productos de baterías siempre están en condiciones de funcionamiento. Retirando el paquete de baterías se evita arrancar accidentalmente la unidad, lo cual puede causar lesiones serias.

APLICACIONES

Este producto puede emplearse para los fines siguientes:

- Corte de superficies de madera, chapa metálica delgada, plásticos y laminados

Para ver las instrucciones de carga completas, consulte los manuales del operador del paquete de baterías y de cargador.

FUNCIONAMIENTO

SELECCIÓN DE LA HOJA

Para obtener un mejor rendimiento, siempre seleccione una hoja específica para la aplicación particular y el tipo de material que desea cortar. Esto lo ayudará a lograr un corte más suave y rápido y a extender la vida útil de la hoja.



ADVERTENCIA:

La herramienta está diseñada para trabajar con hojas con fuste en "T". El uso de hojas sin fuste en "T" puede hacer que las hojas se aflojen de la herramienta, lo que puede provocar lesiones corporales o daños materiales.

PARA INSTALAR LAS HOJAS

Vea la figura 3, página 10.

El diseño de mordaza para ajustar hojas sin herramientas no requiere el uso de una llave de ajuste para instalar o quitar la hoja.

- Retire el paquete de baterías.
- Gire el seguro de la mordaza para ajustar hojas en sentido contrario a las agujas del reloj. Coloque el seguro en la posición abierta.
- Inserte la hoja de sierra con vástago en T dentro de la ranura y empuje hasta que la hoja está completamente insertada.
- Suelte el seguro de la mordaza para ajustar hojas, asegurándose de que la hoja esté instalada de forma segura.
- Vuelva a colocar el paquete de baterías.

BladeSaver™ SOPORTE

Vea la figura 4, página 10.

La característica BladeSaver™ posee un diseño de "base de caída". A medida que la hoja se desafilan con el uso, la base de la sierra puede ajustarse verticalmente en incrementos de 3 mm (1/8 pulg.), permitiendo utilizar los dientes no utilizados de la hoja para cortar.

Esta característica se puede utilizar para el corte recto, el corte de bisel y el corte de penetración.

Existen cuatro retenes en la parte lateral de la sierra de vaivén para el ajuste de la base.

Para ajustar el BladeSaver™:

- Retire el paquete de baterías.
- Retire la llave hexagonal de su lugar de guardarse. Afloje los dos tornillos de la parte lateral del soporte.
NOTA: No es necesario retirar los tornillos. Gírelos en sentido contrario a las agujas del reloj solo lo suficiente como para aflojar la base para el ajuste.
- Ajuste la base a la posición deseada indicada por los retenes en el BladeSaver™.
- Ajuste los tornillos con firmeza y vuelva a colocar el paquete de baterías. Vuelva a colocar la llave hexagonal en el compartimiento.

La parte no utilizada de la hoja puede variar, según el espesor del material de la pieza de trabajo y la longitud de la hoja.

CORTES GENERALES

Vea la figura 5, página 10.

Deje descansar la parte delantera de la base de la sierra en la pieza de trabajo y alinee el borde de corte de la hoja con la línea de dicha pieza. Encienda la sierra y desplácela hacia adelante por la superficie de la pieza de trabajo. Aplique presión hacia abajo para mantener estable la sierra, y hacia adelante aplique sólo la presión suficiente para mantener la sierra cortando. No fuerce la sierra. Si se fuerza la sierra puede recalentarse el motor y romperse la hoja de corte. Las hojas de corte rotas deben reemplazarse por nuevas.

CORTES RECTOS

Vea la figura 5, página 10.

Pueden realizarse cortes rectos fijando con prensas de mano una tabla recta o regla en la pieza de trabajo y guiando el borde de la sierra contra la misma. Efectúe el corte en una dirección solamente. No corte hasta medio camino, para luego completar el corte a partir del extremo opuesto.

PALANCA DE VELOCIDAD VARIABLE

Vea la figura 6, página 10.

Pueden realizarse cortes rectos fijando con prensas de mano una tabla recta o regla en la pieza de trabajo y guiando el borde de la sierra contra la misma.

Para aumentar o disminuir la velocidad de corte:

- Sostenga la sierra en la posición normal de funcionamiento. Empuje el selector de velocidad hacia el signo positivo (+). Para disminuir la velocidad y la potencia, empuje el selector hacia el signo negativo (-).
- Si desea enclavar el seguro de encendido a una velocidad dada, oprima el gatillo del interruptor, oprima y no suelte el botón del seguro de encendido, y después suelte el gatillo. En seguida ajuste el selector de velocidad hasta alcanzar la velocidad deseada.
- Evite utilizar la sierra a velocidad baja durante períodos de tiempo prolongados. Si se hace funcionar la sierra a baja velocidad en uso constante puede recalentarse. Si ocurre tal situación, enfríe la sierra poniéndola a funcionar en vacío y a toda velocidad.

Pueden aplicarse las siguientes pautas para determinar la velocidad correcta para diferentes trabajos:

- **LA VELOCIDAD BAJA** es ideal cuando se requieren velocidad y potencia mínimas, por ejemplo, para iniciar cortes.
- **LA VELOCIDAD MEDIANA** es apropiada para cortar metales duros, plásticos y material laminado.
- **LA VELOCIDAD ALTA** produce resultados óptimos cuando se requiere potencia máxima, por ejemplo, para cortar madera. Los metales suaves, como el aluminio, el latón y el cobre, también pueden requerir velocidades altas.

ORBITAL MOTION

Vea la figura 7, página 11.

El movimiento en órbita proporciona un corte más rápido y efectivo. Con el movimiento orbital, la hoja corta la pieza de trabajo en la carrera ascendente pero no roza la pieza durante la carrera descendente.

Elija entre cuatro posiciones de ajustes en órbita para cortes finos a agresivos. Los ajustes más elevados deben utilizarse cuando se desea cortar rápido material suave. Los ajustes más bajos deben utilizarse para cortar materiales de mayor resistencia.

Órbitas alternativas	Tipo de material	Sugirió tipo de hoja	TPI (dientes por pulgada)	Configuración de la velocidad	Movimiento en órbita
0	Encimera, tablero laminado	Hoja para corte de madera	10-12 (hoja de bajada)	Velocidad máxima	Ningún movimiento orbital
	Lámina metálica	Hoja para corte de metal (no incluida)	14-24	Lenta - Velocidad mediano	Ningún movimiento orbital
1	Plásticos y PVC	Hoja para corte de madera	10-12	Velocidad mediano	Movimiento orbital mínima
	Desplazamiento o cortes curvados en madera	Hoja para corte de desplazamiento	10-12	Velocidad máxima	Movimiento orbital mínima
2	Madera contrachapada, entarimado y pisos de madera	Hoja para corte de madera	6-12	Mediano - Velocidad máxima	Movimiento orbital mediano
3	Madera en general y madera suave	Hoja para corte de madera	6-10	Mediano - Velocidad máxima	Movimiento orbital máximo

GUÍA PARA CANTOS OPTATIVA (NO INCLUYE)

Vea la figura 8, página 11.

Una guía para cantos optativa peut être achetée séparément. Puede utilizarse tanto para cortes transversales como para cortes al hilo.

- Retire el paquete de baterías.
- Introduzca la guía de cantos a través de las dos ranuras de la base de la sierra, como se muestra.
- Ajuste la guía al ancho deseado y asegúrela en su lugar con el tornillo de la misma.
- Vuelva a colocar el paquete de baterías.

CORTES CONTORNEADOS

Vea la figura 9, página 11.

Pueden efectuarse cortes contorneados con la sierra de vaivén; para ello, guíe la dirección del corte aplicando presión en el mango, como se muestra.

NOTA: Usar hojas específicamente diseñadas para cortes contorneados reducirá el estrés en la hoja y generará mejores cortes.

ADVERTENCIA:

Una presión lateral excesiva puede producir la ruptura de la hoja o daños en la pieza de trabajo. Hojas rotas podrían resultar en lesiones personales graves.

CORTES DE PENETRACIÓN

Vea la figura 10, página 11.

ADVERTENCIA:

Para evitar perder el control, romper hojas o dañar la pieza de trabajo, siempre tenga extrema precaución al efectuar cortes de penetración. No recomendamos efectuar cortes de penetración en ningún material que no sea madera.

- Marque claramente la línea de corte en la pieza de trabajo.
- Fije el ángulo de corte a 0°.
- Incline hacia adelante la sierra, de manera que descance en el borde delantera de la base y la hoja no toque la pieza de trabajo al encender la sierra.
- Asegúrese de que la hoja esté dentro del área del corte.
- Encienda la sierra a alta velocidad y lentamente baje la hoja para introducirla en la pieza de trabajo hasta que empiece a cortar a través de la madera.
- Continúe bajando e introduciendo la hoja en la pieza de trabajo hasta que la base descance completamente abatida sobre la superficie de la pieza de trabajo, y después desplace hacia adelante la sierra para completar el corte.
- Para este tipo de corte sólo utilice hoja de 7 dientes por pulgada.

CORTES EN ÁNGULO (CORTES A BISEL)

Vea las figuras 11 y 12, página 12.

El ángulo del corte a bisel puede ajustarse de 0° a 45°, a la derecha o a la izquierda. Puede cortarse en ángulos de 0° a 45°, los cuales están marcados en la escala en incrementos de 15°, tanto en el lado izquierdo como en el derecho de la base. Las muescas en la parte posterior de la base sirven de topes en cada uno de los incrementos de 15° mencionados arriba. Cuando se requieren cortes precisos, se recomienda utilizar un transportador de ángulos.

- Retire el paquete de baterías.
- Retire la llave hexagonal de su lugar de guardarse. Afloje los dos tornillos del pivote de la base hasta que la pueda desmontar.

NOTA: No quite los tornillos por completo.

- Deslice la base hacia atrás hasta que pueda moverse libremente de izquierda a derecha.

- Alinee el puntero de la carcasa con el ángulo deseado indicado en la base.

- Una vez que se alcanzó el ángulo deseado, deslice la base hacia adelante hasta que la lengüeta en el alojamiento del motor se alinee con la muesca correcta en la parte posterior de la base.

NOTA: Al preparar la unidad con un transportador de ángulos con el fin de efectuar cortes precisos, o para ángulos diferentes de los prefijados a incrementos de 15°, no se usan las muescas de tope de la parte posterior de la base.

- Apriete firmemente los tornillos del pivote de la base.
- Vuelva a colocar la llave hexagonal en el compartimiento.
- Vuelva a colocar el paquete de baterías.

MANTENIMIENTO



ADVERTENCIA:

Al dar servicio a la unidad, sólo utilice piezas de repuesto idénticas. El empleo de piezas diferentes podría causar un peligro o dañar el producto.

MANTENIMIENTO GENERAL

Evite el empleo de solventes al limpiar piezas de plástico. La mayoría de los plásticos son susceptibles a diferentes tipos de solventes comerciales y pueden resultar dañados. Utilice paños limpios para eliminar la suciedad, el polvo, el aceite, la grasa, etc.

ACCESORIOS

Busque estos accesorios en la misma tienda en la que adquirió este producto o llame al 1-800-525-2579:

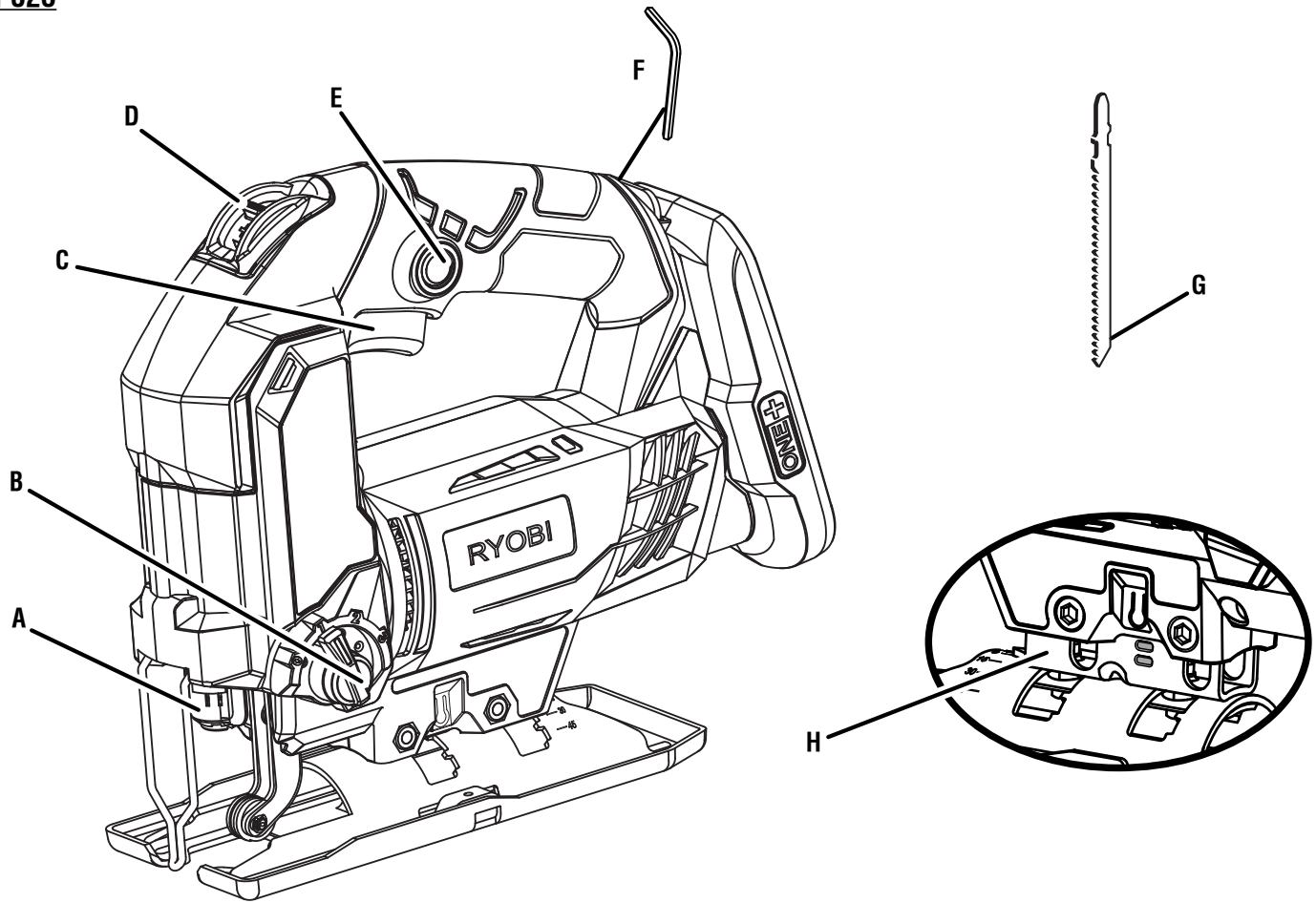
- Guía de cantos202936001



ADVERTENCIA:

Arriba se señalan los aditamentos y accesorios disponibles para usarse con este producto. No utilice ningún aditamento o accesorio no recomendado por el fabricante de este producto. El empleo de aditamentos o accesorios no recomendados podría causar lesiones serias.

**Este producto tiene una garantía limitada de tres años.
Puede consultar los detalles de la garantía en www.ryobitools.com**

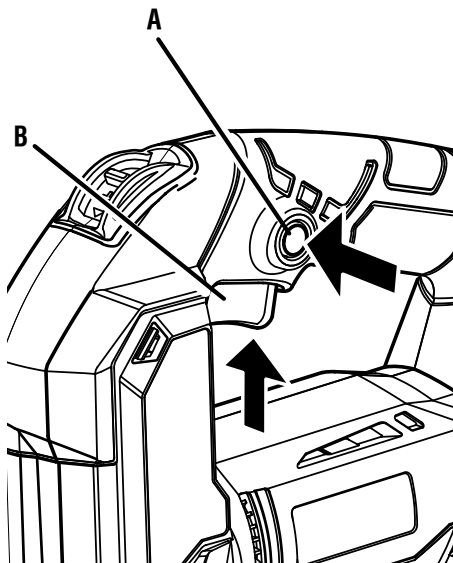


- A - Toolless blade clamp (verrouillage du porte-lame, mordaza de la hoja de apriete sin herramienta)
- B - Orbital adjustment knob (bouton de réglage d'orbite, perilla de ajuste de órbita)
- C - Switch trigger (gâchette de commutateur, gatillo del interruptor)

- D - Variable speed lever (sélecteur de vitesse variable, selector de control de velocidad variable)
- E - Lock-on button (bouton de blocage marche, botón de seguro de encendido)

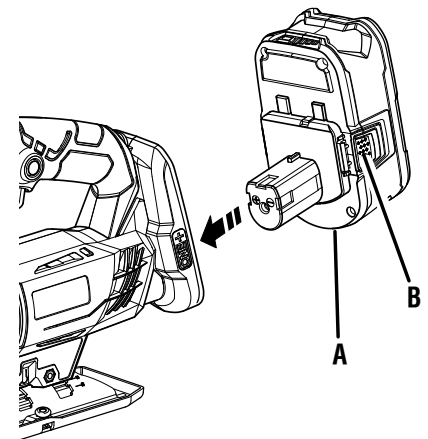
- F - Hex key/storage area (compartiment de rangement de la clé hexagonale, lugar de guardar la llave hexagonal)
- G - T-shank saw blade (lame de scie à tige en T, hoja de la sierra con fuste en "T")
- H - Blade Saver bracket (support de Blade Saver, soporte de Blade Saver)

Fig. 1



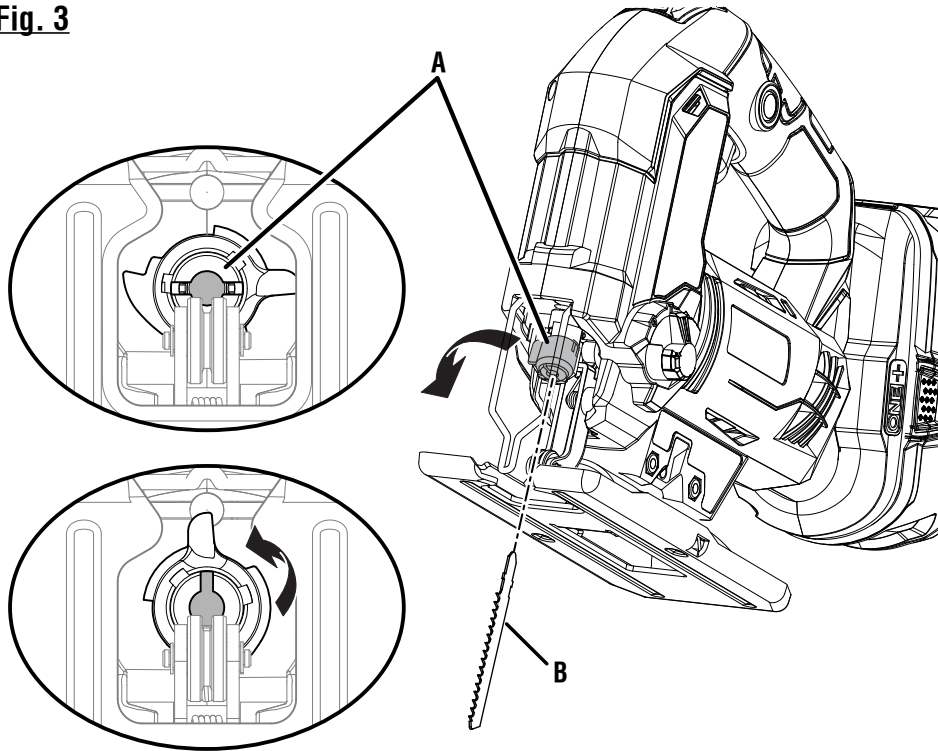
- A - Lock-on button (bouton de verrouillage, botón del seguro de encendido)
- B - Switch trigger (gâchette, gatillo del interruptor)

Fig. 2



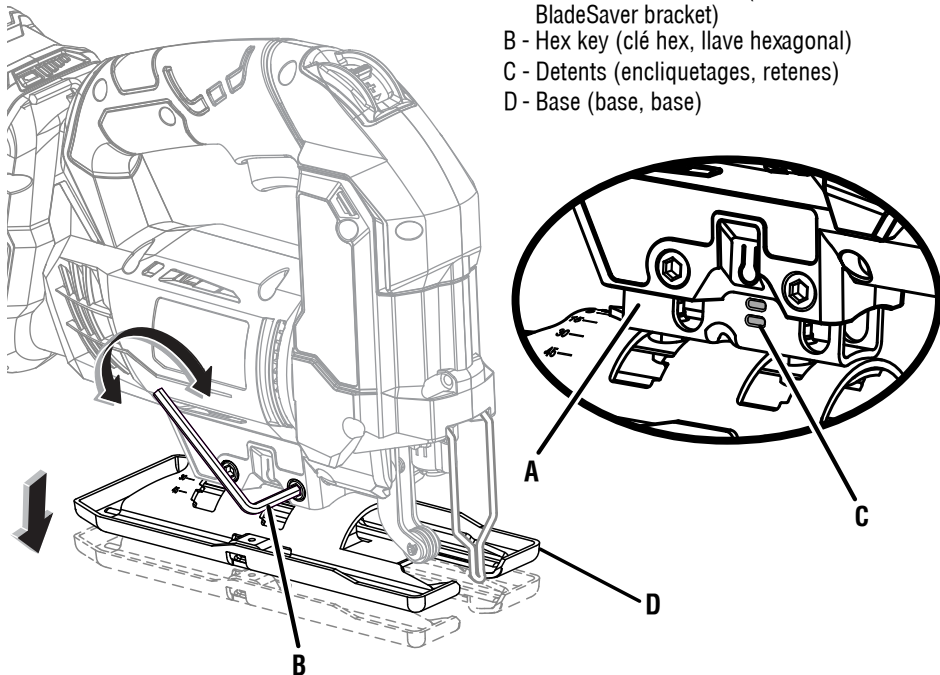
- A - Battery pack (bloc-piles, paquete de baterías)
- B - Latches (loquets, pestillos)

Fig. 3



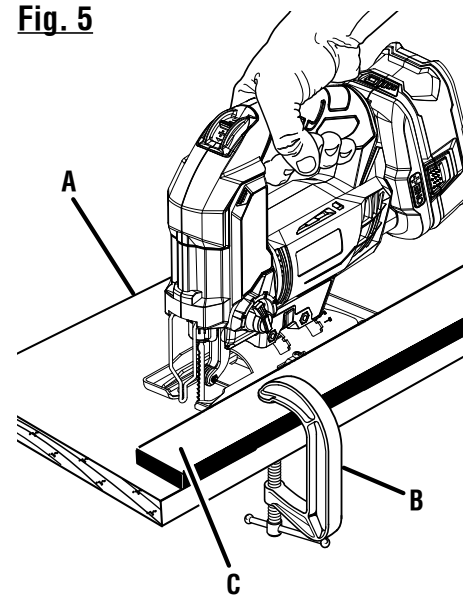
- A - Toolless blade clamp (verrouillage du porte-lame, mordaza de la hoja de apriete sin herramienta)
B - Saw blade (lame de scie, hoja de la sierra)

Fig. 4



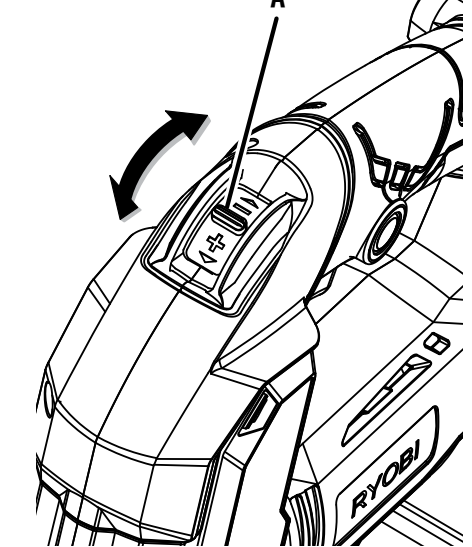
- A - BladeSaver bracket (BladeSaver bracket, BladeSaver bracket)
B - Hex key (clé hex, llave hexagonal)
C - Detents (encliquetages, retenes)
D - Base (base, base)

Fig. 5



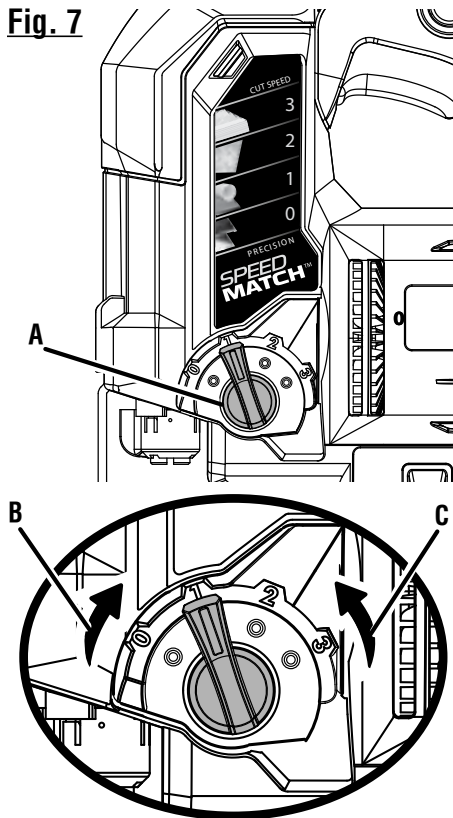
- A - Workpiece (pièce, pieza de trabajo)
B - C-Clamp (serre-joint, prensa de mano)
C - Straight edge (bord droit, borde recto)

Fig. 6



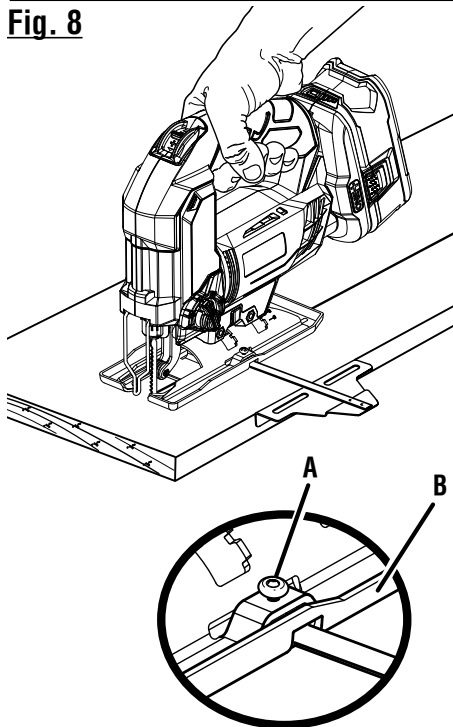
- A - Variable speed lever (gâchette à vitesse variable, palanca de velocidad variable)

Fig. 7



- A - Orbital adjustment knob (bouton de réglage d'orbite, perilla de ajuste de órbita)
- B - To increase orbital setting (pour accroître le mouvement orbital, para aumentar el ajuste de la órbita)
- C - To decrease orbital setting (pour réduire le mouvement orbital, para disminuir el ajuste de la órbita)

Fig. 8



- A - Edge guide screw (vis du guide de chant, tornillo de la guía para cantos)
- B - Base (base, base)

Fig. 9

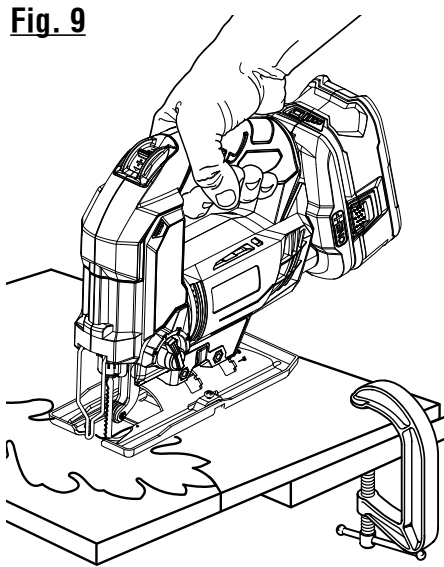


Fig. 10

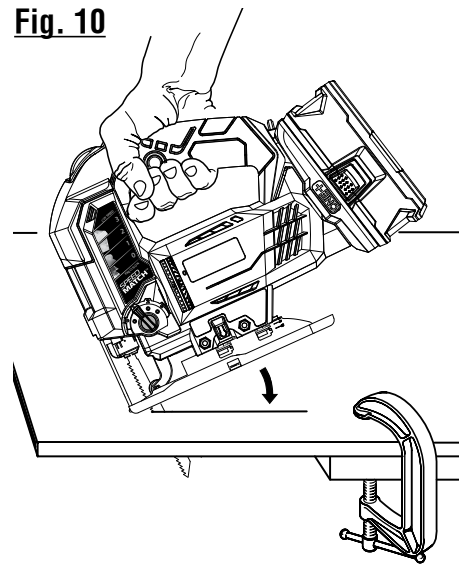
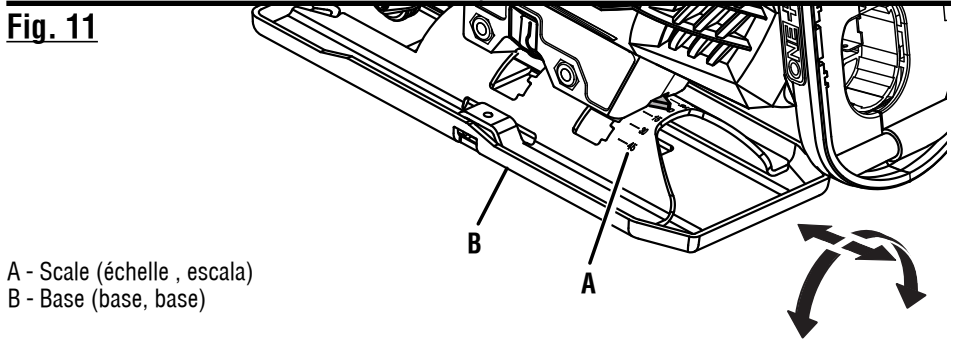


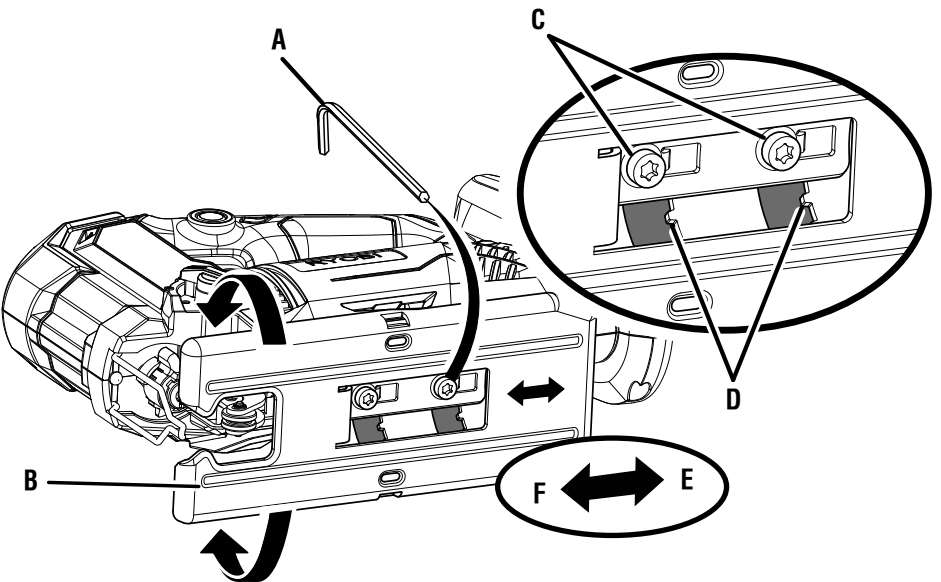
Fig. 11



- A - Scale (échelle, escala)
- B - Base (base, base)

Fig. 12

**SLIDE BASE BACKWARD TO ADJUST ANGLE
 SLIDE BASE FORWARD TO LOCK IN AT DESIRED ANGLE
 GLISSER LA BASE VERS L'ARRIÈRE POUR RÉGLER L'ANGLE
 GLISSER LA BASE VERS L'AVANT POUR BLOQUER À L'ANGLE CHOISI
 DESLICE LA BASE HACIA ATRÁS PARA AJUSTAR EL ÁNGULO
 DESLICE LA BASE HACIA ADELANTE PARA BLOQUEARLA EN EL ÁNGULO DESEADO**



- A - Hex key (clé hex, llave hexagonal)
- B - Base (base, base)
- C - Base pivot screw (vis pivot de la base, tornillo del pivote de la base)
- D - Notches (notches, notches)
- E - Backward (arriéré, hacia atrás)
- F - Forward (avant, adelante)

CALIFORNIA PROPOSITION 65

WARNING:

This product and some dust created by power sanding, sawing, grinding, drilling, and other construction activities may contain chemicals, including lead, known to the State of California to cause cancer, birth defects, or other reproductive harm. **Wash hands after handling.**

Some examples of these chemicals are:

- lead from lead-based paints,
- crystalline silica from bricks and cement and other masonry products and,
- arsenic and chromium from chemically treated lumber.

Your risk from exposure to these chemicals varies, depending on how often you do this type of work. To reduce your exposure, work in a well-ventilated area and with approved safety equipment, such as dust masks that are specially designed to filter out microscopic particles.

PROPOSITION 65 DE L'ÉTAT DE CALIFORNIE

AVERTISSEMENT :

Ce produit et la poussière dégagée lors du ponçage, sciage, meulage, perçage de certains matériaux et lors d'autres opérations de construction peuvent contenir des produits chimiques, notamment du plomb qui, selon l'État de la Californie, peuvent causer le cancer, des anomalies congénitales et d'autres dommages au système reproducteur. **Bien se laver les mains après toute manipulation.**

Voici certains exemples de ces produits chimiques :

- le plomb contenu dans la peinture au plomb,
- la silice cristalline contenue dans les briques, le béton et d'autres produits de maçonnerie, ainsi que,
- l'arsenic et le chrome contenus dans le bois de construction traité par produits chimiques.

Le risque présenté par l'exposition à ces produits varie en fonction de la fréquence de ce type de travail. Pour réduire l'exposition, travailler dans un endroit bien aéré et utiliser des équipements de sécurité approuvés tels que masques antipoussières spécialement conçus pour filtrer les particules microscopiques.

CALIFORNIA - PROPUESTA DE LEY NÚM. 65

ADVERTENCIA:

Este producto y algunos polvos generados al efectuarse operaciones de lijado, aserrado, esmerilado, taladrado y otras actividades de la construcción, contienen sustancias químicas reconocidas por el estado de California como causantes de cáncer, defectos congénitos y otras afecciones del aparato reproductor. **Lávase las manos después de utilizar el aparato.**

Algunos ejemplos de estas sustancias químicas son:

- plomo de las pinturas a base de plomo,
- sílice cristalino de los ladrillos, del cemento y de otros productos de albañilería, y
- arsénico y cromo de la madera químicamente tratada.

El riesgo de la exposición a estos compuestos varía, según la frecuencia con que se realice este tipo de trabajo. Para reducir la exposición personal, trabaje en áreas bien ventiladas, y con equipo de seguridad aprobado, tal como las caretas para el polvo especialmente diseñadas para filtrar partículas microscópicas.



OPERATOR'S MANUAL/JIG SAW
MANUEL D'UTILISATION/SCIE SAUTEUSE
MANUAL DEL OPERADOR/SIERRA DE VAIVÉN
P523

To request service, purchase replacement parts,
locate an Authorized Service Center and obtain Customer or Technical Support:

Visit **www.ryobitools.com** or call **1-800-525-2579**

If any parts or accessories are damaged or missing,
do not return this product to the store. Call **1-800-525-2579** for immediate service.

Please obtain your model and serial number from the product data plate.

MODEL NUMBER _____ SERIAL NUMBER _____

RYOBI is a registered trademark of Ryobi Limited and is used pursuant to a license granted by Ryobi Limited.

Pour faire une demande de réparations ou obtenir des pièces de rechange, trouver un
Centre de réparations agréé pour obtenir un soutien technique ou le Service à la clientèle :

Visiter **www.ryobitools.com** ou en téléphonant au **1-800-525-2579**

Si des pièces ou accessoires sont manquantes ou endommagées, ne pas retourner
ce produit au magasin. Appeler immédiatement au **1-800-525-2579** pour obtenir de l'aide.

Inscrire les numéros de modèle et de série inscrits sur la plaque d'identification du produit.

NUMÉRO DE MODÈLE _____ NUMÉRO DE SÉRIE _____

RYOBI est une marque déposée de RYOBI Limited et est utilisée en vertu d'une licence accordée par Ryobi Limited.

Para obtener servicio, comprar piezas de repuesto, localizar un centro de servicio autorizado
y obtener Servicio o Asistencia Técnica al Consumidor:

Visite **www.ryobitools.com** o llame al **1-800-525-2579**

Si hay alguna pieza ou accesorios dañada o faltante, no devuelva este producto a la tienda.
Llame al **1-800-525-2579** para servicio técnico inmediato.

Obtenga su modelo y número de serie de la placa de datos del producto.

NÚMERO DE MODELO _____ NÚMERO DE SERIE _____

RYOBI es una marca registrada de Ryobi Limited y se utiliza conforme a una licencia otorgada por Ryobi Limited.

ONE WORLD TECHNOLOGIES, INC.

1428 Pearman Dairy Road, Anderson, SC 29625 • Phone 1-800-525-2579
États-Unis, Téléphone 1-800-525-2579 • USA, Teléfono 1-800-525-2579

www.ryobitools.com

A subsidiary of Techtronic Industries Co., LTD OTC: TTNDY

990000571
12-2-13 (REV:01)

Free Manuals Download Website

<http://myh66.com>

<http://usermanuals.us>

<http://www.somanuals.com>

<http://www.4manuals.cc>

<http://www.manual-lib.com>

<http://www.404manual.com>

<http://www.luxmanual.com>

<http://aubethermostatmanual.com>

Golf course search by state

<http://golfingnear.com>

Email search by domain

<http://emailbydomain.com>

Auto manuals search

<http://auto.somanuals.com>

TV manuals search

<http://tv.somanuals.com>