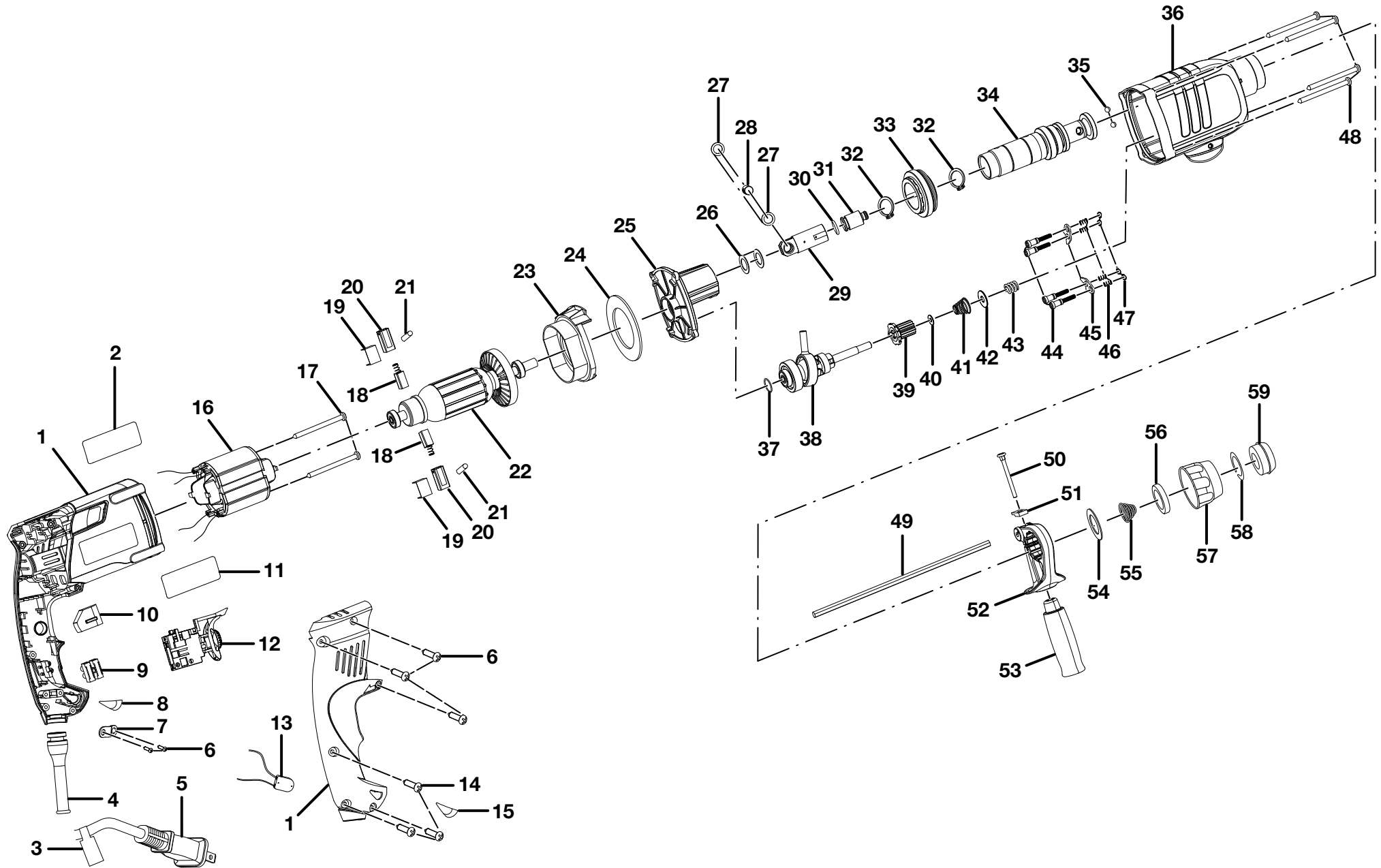


RYOBI
SDS ROTARY HAMMER
MODEL NO. SDS60
REPAIR SHEET

RYOBI SDS ROTARY HAMMER – MODEL NUMBER SDS60



RYOBI SDS ROTARY HAMMER – MODEL NUMBER SDS60

The model number will be found on a plate attached to the motor housing. Always mention the model number in all correspondence regarding your **RYOBI SDS ROTARY HAMMER** or when ordering repair parts.

PARTS LIST

KEY NO.	PART NUMBER	DESCRIPTION	QTY	KEY NO.	PART NUMBER	DESCRIPTION	QTY
1	039183001087	HOUSING ASSEMBLY	1	22	039183001113	ARMATURE ASSEMBLY.....	1
2	039183001109	DATA LABEL.....	1	23	039183001063	AIR DEFLECTOR.....	1
3	039183001107	CORD TAG LABEL.....	1	24	039183001061	O-RING.....	1
4	039183001077	BEND RELIEF	1	25	039183001112	INTERMEDIATE COVER ASSEMBLY	1
5	039183001078	POWER CORD	1	26	039183001036	WASHER	2
6	039183001075	SCREW (M4.2 x 16 mm).....	5	27	039183001034	WASHER	2
7	039183001076	CORD CLAMP.....	1	28	039183001035	PIN.....	1
8	039183001082	RIGHT CAP INDICATOR.....	1	29	039183001033	CYLINDER.....	1
9	039183001073	TERMINAL BLOCK.....	1	30	039183001032	O-RING.....	1
10	039183001081	BUBBLE LEVEL.....	1	31	039183001031	IMPACT PISTON.....	1
11	039183001108	LOGO LABEL	1	32	039183001026	C-RING	2
12	039183001068	SWITCH.....	1	33	039183001085	GEAR ASSEMBLY	1
13	039183001083	LIVE TOOL INDICATOR.....	1	34	039183001110	OUTPUT SHAFT ASSEMBLY	1
14	039183001079	SCREW (M4.2 x 13 mm).....	3	35	039183001017	STEEL BALL	2
15	039183001084	LEFT CAP INDICATOR	1	36	039183001080	GEAR HOUSING ASSEMBLY	1
16	039183001066	FIELD.....	1	37	039183001055	WASHER	1
17	039183001065	SCREW (M4.2 x 70 mm).....	2	38	039183001111	INTERMEDIATE SHAFT ASSEMBLY	1
18	039183001070	BRUSH ASSEMBLY	2	39	039183001051	PINION ASSEMBLY.....	1
19	039183001072	INSULATOR.....	2	40	039183001050	SMALL WASHER.....	1
20	039183001069	BRUSH HOLDER.....	2	41	039183001049	CONE SPRING	1
21	039183001071	RUBBER BUMPER.....	2	42	039183001048	WASHER	1

WARNING: Improper repair of a double insulated tool can result in damage to the double insulation system possibly causing electrical shock or electrocution. Any repairs requiring disassembly of your tool requires safety testing and should only be performed by a Ryobi Authorized Service Center. For the service center nearest you call 1-800-525-2579.

* STANDARD HARDWARE ITEM – MAY BE PURCHASED LOCALLY

RYOBI SDS ROTARY HAMMER – MODEL NUMBER SDS60

The model number will be found on a plate attached to the motor housing. Always mention the model number in all correspondence regarding your **RYOBI SDS ROTARY HAMMER** or when ordering repair parts.

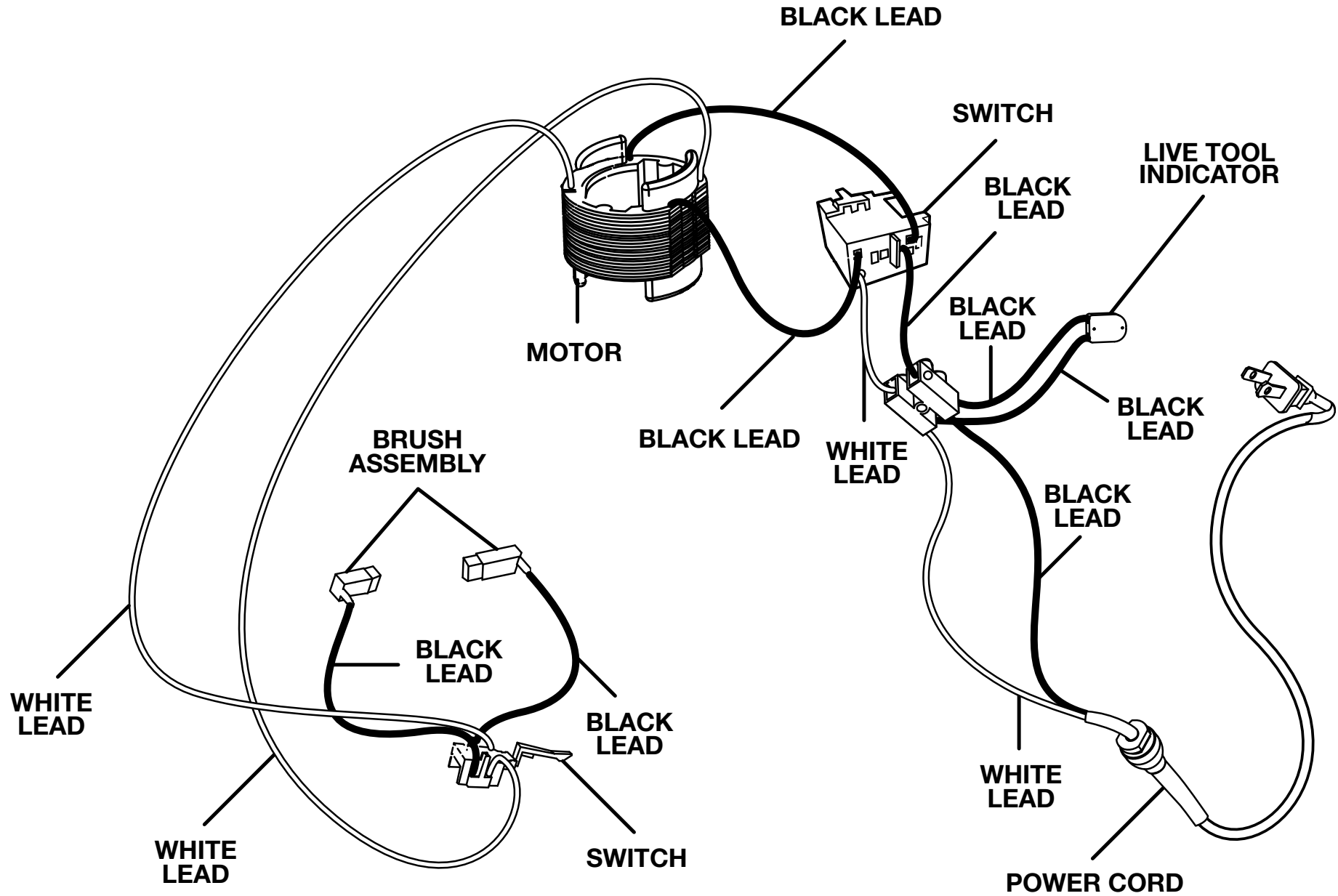
PARTS LIST

KEY NO.	PART NUMBER	DESCRIPTION	QTY	KEY NO.	PART NUMBER	DESCRIPTION	QTY
43	039183001047	SPRING	1	ITEMS NOT SHOWN			
44	039183001045	SPECIAL SCREW	4	60	039183001115	1/2 in. AUXILIARY CHUCK ASSEMBLY	1
45	039183001044	LOCK PAWL	2	61	039183001090	1/4 in. BIT	1
46	039183001043	COMPRESSION SPRING	2	62	039183001091	5/16 in. BIT	1
47	039183001042	C-RING	2	63	039183001092	3/8 in. BIT	1
48	039183001008	SCREW (M4.2 x 35 mm)	4	64	039183001093	7/8 in. FLAT CHISEL	1
49	039183001039	DEPTH STOP ROD	1	65	039183001097	CARRYING CASE	1
50	039183001037	* SCREW (M8 x 90 mm HEX HD.)	1		987000173	OPERATOR'S MANUAL (039183001098)	
51	039183001038	SQUARE WASHER	1		09-18-07		
52	039183001040	CLIP HOOP	1		(REV:01)		
53	039183001041	AUXILIARY HANDLE	1				
54	039183001006	WASHER	1				
55	039183001005	SPRING	1				
56	039183001004	CONTROL WASHER	1				
57	039183001003	CONTROL SET	1				
58	039183001002	SNAP RING	1				
59	039183001001	FRONT COVER	1				

WARNING: Improper repair of a double insulated tool can result in damage to the double insulation system possibly causing electrical shock or electrocution. Any repairs requiring disassembly of your tool requires safety testing and should only be performed by a Ryobi Authorized Service Center. For the service center nearest you call 1-800-525-2579.

* STANDARD HARDWARE ITEM – MAY BE PURCHASED LOCALLY

RYOBI SDS ROTARY HAMMER – MODEL NUMBER SDS60



WIRING DIAGRAM

Free Manuals Download Website

<http://myh66.com>

<http://usermanuals.us>

<http://www.somanuals.com>

<http://www.4manuals.cc>

<http://www.manual-lib.com>

<http://www.404manual.com>

<http://www.luxmanual.com>

<http://aubethermostatmanual.com>

Golf course search by state

<http://golfingnear.com>

Email search by domain

<http://emailbydomain.com>

Auto manuals search

<http://auto.somanuals.com>

TV manuals search

<http://tv.somanuals.com>