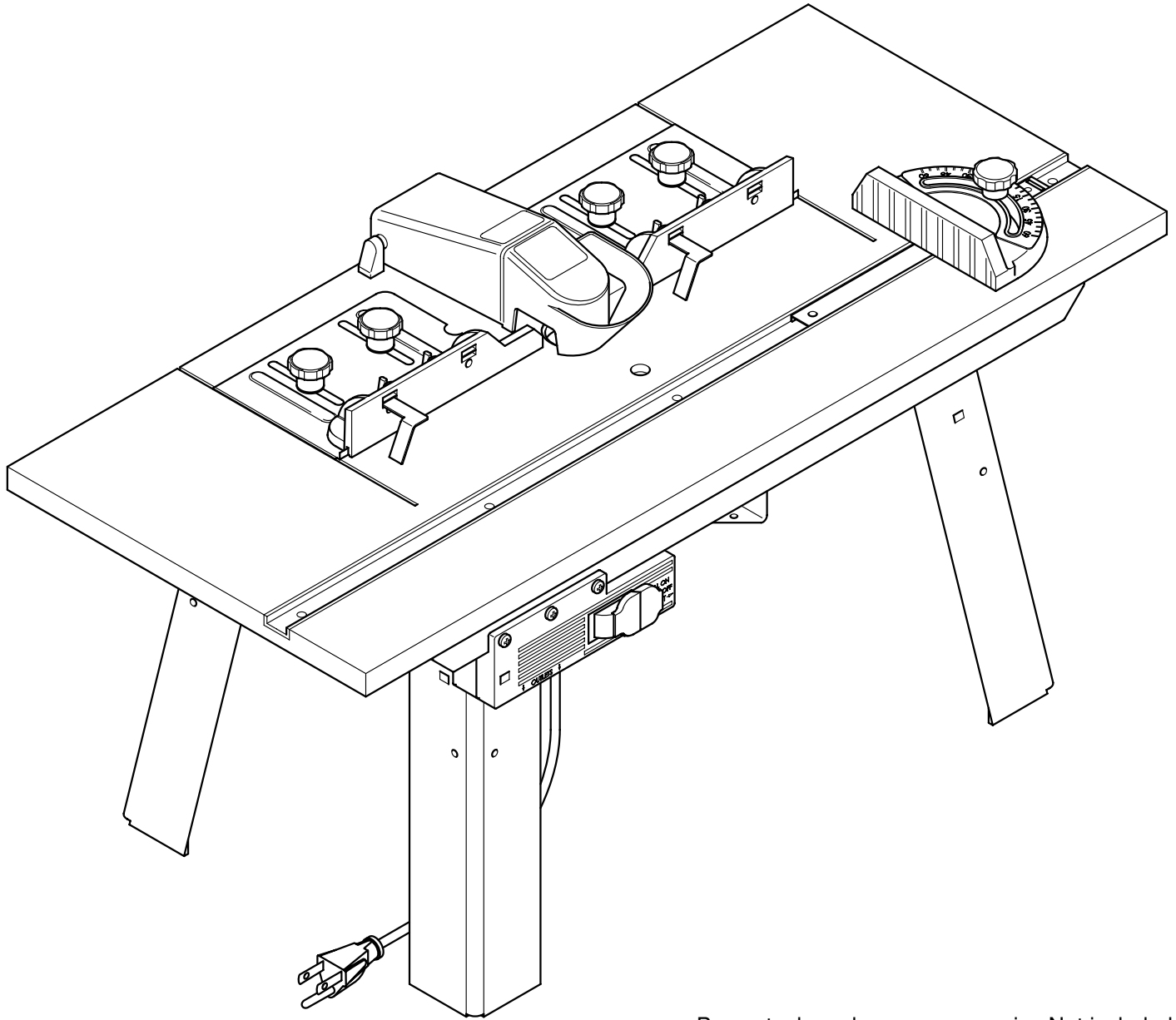




OPERATOR'S MANUAL

ROUTER TABLE RT401W



Power tools and some accessories Not included.

Your new router table has been engineered and manufactured to Ryobi's high standard for dependability, ease of operation, and operator safety. Properly cared for, it will give you years of rugged, trouble-free performance.



WARNING: To reduce the risk of injury, the user must read and understand the operator's manual.

Thank you for purchasing a Ryobi router table.

SAVE THIS MANUAL FOR FUTURE REFERENCE

TABLE OF CONTENTS

■ Introduction	.2
■ Rules for Safe Operation	.3-4
■ Unpacking and checking contents	.4
■ Features and Specifications	.5
■ Package contents and hardware legend	.6-8
■ Assembly	.9-11
■ Securing the router table	.11
■ Mounting the router	.12-13
■ Switch box	.14-15
■ Operation	.16-19
■ Accessories	.19-20
■ Repair parts	.21-22

INTRODUCTION

Your router table has many features for making the use of a router more pleasant and enjoyable. Safety, performance, and dependability have been given top priority in the design of this router table making it easy to maintain and operate.

WARNING:

Do not attempt to use this product until you have read thoroughly and completely understand the operator's manual. Pay close attention to the safety rules, including Dangers, Warnings, and Cautions. If you use your router table properly and only for what it is intended, you will enjoy years of safe, reliable service.



The operation of any power tool can result in foreign objects being thrown into your eyes, which can result in severe eye damage. Before beginning tool operation, always wear safety goggles or safety glasses with side shields and a full face shield when needed. We recommend Wide Vision Safety Mask for use over eyeglasses or standard safety glasses with side shields. Always wear eye protection which is marked to comply with ANSI Z87.1.



Look for this symbol to point out important safety precautions. It means attention!!! Your safety is involved.

RULES FOR SAFE OPERATION

WARNING:

Means that failure to follow this safety statement may result in extensive product damage, serious personal injury, or death.

WARNING:

- **Read all safety instructions before using**

Read the owner's manual carefully. Learn its applications and limitations as well as the specific potential hazards.
- **Ground all tools (unless double insulated)**

If tool is equipped with an approved 3-conductor cord and a 3-prong grounding type plug to fit the proper grounding type receptacle, the green conductor in the cord is the grounding wire. NEVER connect the green wire to a live terminal.
- **Keep away from hazardous materials**

Normal sparking of the motor could ignite fumes, flammable liquids, or combustibles.
- **Protect yourself against personal injury**

DO NOT operate any tool while under the influence of drugs, alcohol, or any medication.
- **Dress for safety**

Do not wear loose clothing, gloves, neckties, or jewelry, as these items can get caught and draw you into moving parts. ALWAYS wear non-slip footwear. Tie back long hair. Roll long sleeves above the elbow.
- **Avoid accidental starting**

Make sure all switches are in "OFF" position before plugging in.
- **Never stand on tool**

Serious injury could occur if the tool is tipped or if the cutting tool is accidentally contacted. DO NOT store materials above or near the tool, making it necessary to stand on the tool to reach them.
- **Protect and use suitable cords**

NEVER carry tool by cord or yank it to disconnect from receptacle. Protect cord from heat, oil and sharp edges. For outdoor operation, use extension cords intended for outdoor use.
- **Avoid a dangerous environment**

DO NOT use power tools in damp or wet locations or expose them to rain. Keep work area well lit and provide an adequate surrounding work space.
- **Check direction of feed**

Feed workpiece against the router bit's direction of rotation.
- **Check damaged parts**

Before further use of the tool, a guard or other part that is damaged should be carefully checked to ensure that it will operate properly and perform its intended function. Check for alignment of moving parts, binding of moving parts, broken parts, mounting and any other conditions that may affect its operation. A guard or other part that is damaged should be properly repaired or replaced.
- **Never leave tool running unattended**

Turn power off. Do not leave tool until it comes to a complete stop.
- **Secure router table**

DO NOT attempt to use your router table unless it is fastened firmly to your workbench or floor.
- **Disconnect tools before servicing**

When changing bits, make sure router is unplugged.
- **Keep guards in place**

Be sure guards are in working order, properly adjusted, and aligned.
- **KEEP HANDS AWAY FROM CUTTING AREA**

RULES FOR SAFE OPERATION

CAUTION:

Means that failure to follow this safety statement may result in minor or moderate personal injury, or property or equipment damage.

CAUTION:

■ Store properly

Do not store router table outdoors or in a damp location.

■ Keep work area clean

ALWAYS keep your work area clean, uncluttered, and well lit. DO NOT work on or place router table legs on floor surfaces that are slippery from sawdust, oil, water, or wax.

■ Do not force the tool

Do not force tool or attachment to do a job for which it was not designed. It will do the job better and more safely at the rate for which it was designed.

■ Use clamps or a vise to hold work when practical

Using clamps or a vise to hold work is safer than using your hand. It also frees both hands to operate the tool.

■ Do not overreach

Keep proper footing and balance at all times.

■ Maintain tools with care

Keep tools sharp and clean for best and safest performance. Follow instructions for lubricating and changing accessories.

■ Use recommended accessories

Consult this manual for recommended accessories. Follow the instructions that accompany the accessories. The use of improper accessories may cause hazards.

■ Remove adjusting keys and wrenches

Form the habit of checking to see that keys and adjusting wrenches are removed from the tool before turning it on.

■ Ensure safety of others

Keep visitors and children a safe distance away from the work area, especially when operating a power tool. Visitors should wear the same safety equipment as the operator.

■ SAVE THESE INSTRUCTIONS

UNPACKING AND CHECKING CONTENTS

Separate all parts from packaging materials and check each item against the package contents listed in this manual, found on pages 6-8.

If any parts are damaged or missing, please call (800) 525-2579 for assistance.

Your **RYOBI**® router table is shipped complete in one carton. Make sure all items are accounted for before discarding any of the packing materials.

FEATURES AND SPECIFICATIONS

Table weight.	18,5 lbs.
Table work space.441 square inches
Dimensions.31-1/2"L x 14"W x 14"H

ROUTER TABLE features include:

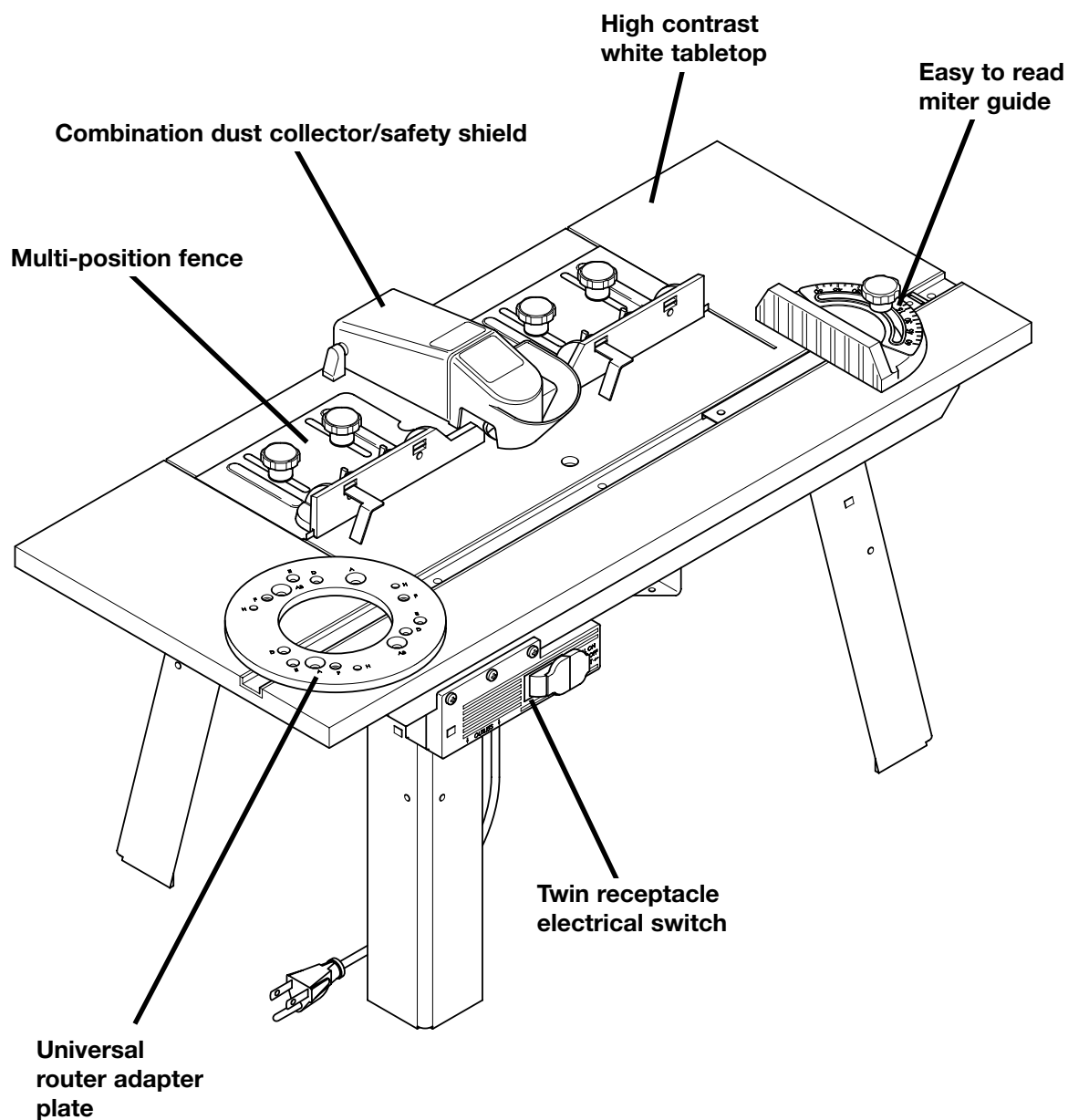


Fig. 1



WARNING:

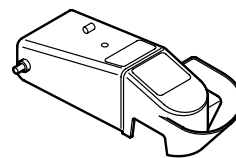
Do not attempt to modify this tool or create accessories not recommended for use with this tool. Any such alteration or modification is misuse and could result in a hazardous condition leading to possible serious personal injury.

PACKAGE CONTENTS AND HARDWARE LEGEND

ITEM	DESCRIPTION	QTY.
------	-------------	------

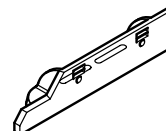
A	Safety shield	1
---	---------------	---

A



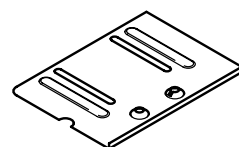
B	Fence, right	1
---	--------------	---

B



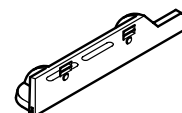
C	Fence base, right	1
---	-------------------	---

C



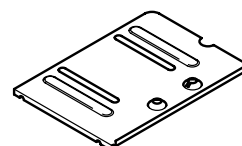
D	Fence, left	1
---	-------------	---

D



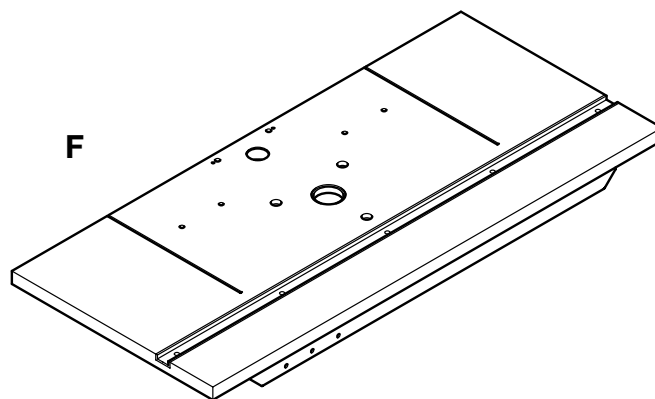
E	Fence base, left	1
---	------------------	---

E



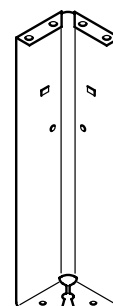
F	Tabletop	1
---	----------	---

F



G	Leg	4
---	-----	---

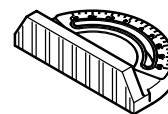
G



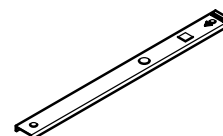
PACKAGE CONTENTS AND HARDWARE LEGEND

ITEM	DESCRIPTION	QTY.
------	-------------	------

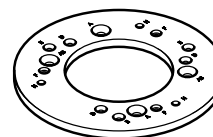
H	Miter guide	1	H
---	-------------	---	---



J	Miter bar	1	J
---	-----------	---	---



K	Adapter plate	1	K
---	---------------	---	---



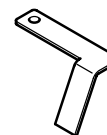
L	Knob	5	L
---	------	---	---



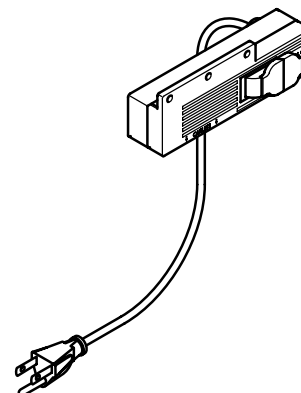
M	Holder for safety shield	2	M
---	--------------------------	---	---



N	Feather flap	2	N
---	--------------	---	---

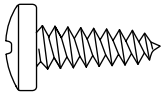
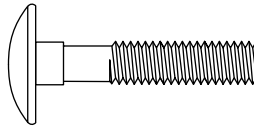
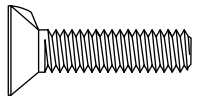
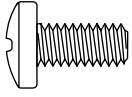
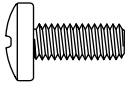
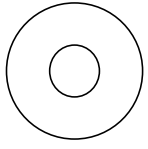
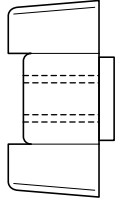
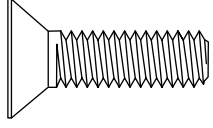
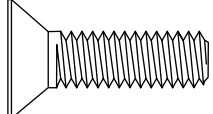


P	Switch box	1	P
---	------------	---	---



PACKAGE CONTENTS AND HARDWARE LEGEND

Note: Hardware parts shown (screws, nuts, washers) are actual size.

ITEM	DESCRIPTION	QTY.		
Q	Pan head screw (5 x 16)	18	Q	
R	Carriage bolt (M 6 x 30)	5	R	
S	Countersink screw with nose (M 6 x 20)	4	S	
T	Pan head screw (M 6 x 12)	3	T	
U	Self tapping pan head screw (M 5 x 12)	3	U	
V	Washer (6,4 DIN 9021)	5	V	
W	Wing nut (M 6)	4	W	
X	Countersink screw (5/16" - 18 x 3/4")	3	X	
Y	Countersink screw (M 8 x 20)	3	Y	

ASSEMBLY

⚠ WARNING:

The router or router table should never be connected to a power supply when you are assembling parts, making adjustments, installing or removing cutters, cleaning, or when not in use. Disconnecting the router and router table will prevent accidental starting that could cause serious personal injury.

ASSEMBLING THE ROUTER TABLE

See Figure 2

1. Place router table top (F) upside-down on a flat surface. Take care not to scratch the table top surface.
2. Attach legs (G) securely to table top with 16 pan head screws (Q). Use a #3 Phillips screwdriver to keep from stripping the screw heads.

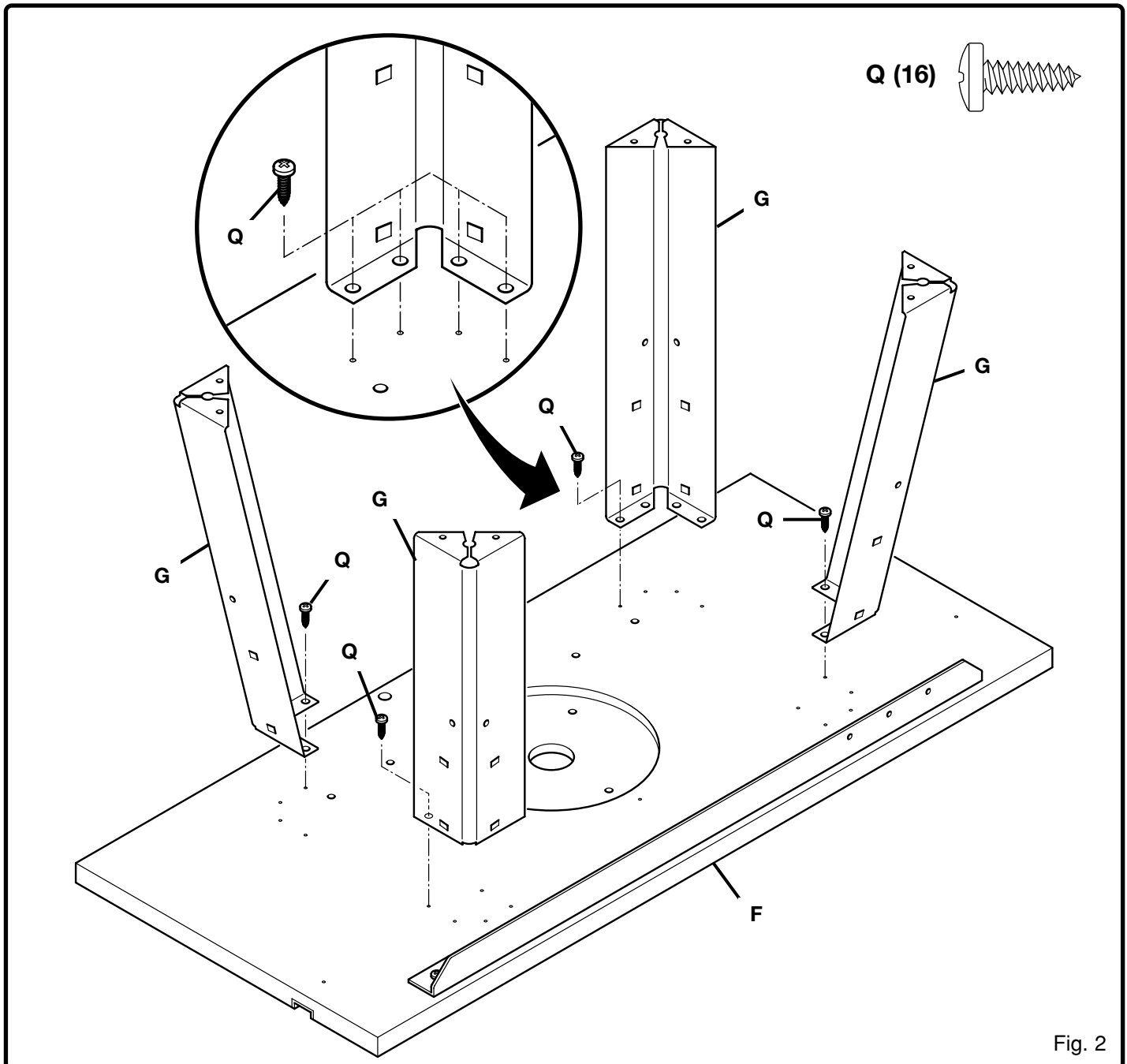


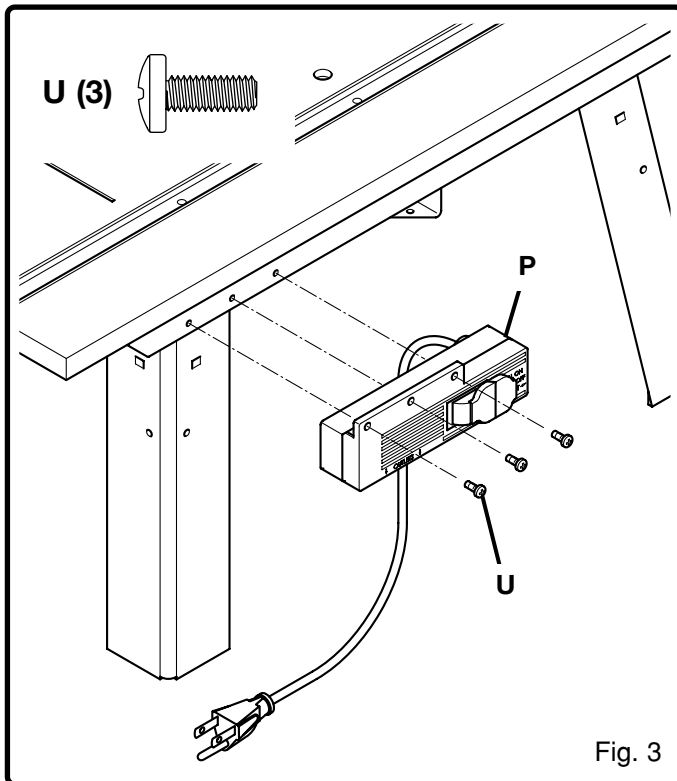
Fig. 2

ASSEMBLY

TO ATTACH THE SWITCH BOX

See Figure 3

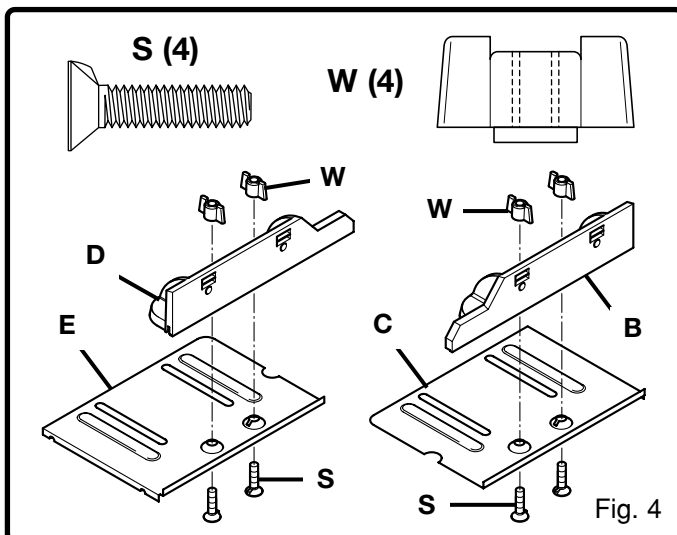
- Place the router table on its legs.
- Use a #2 Phillips screwdriver to attach switch box (P) to the switch box bracket with 3 self tapping screws (U).



TO ATTACH THE FENCES

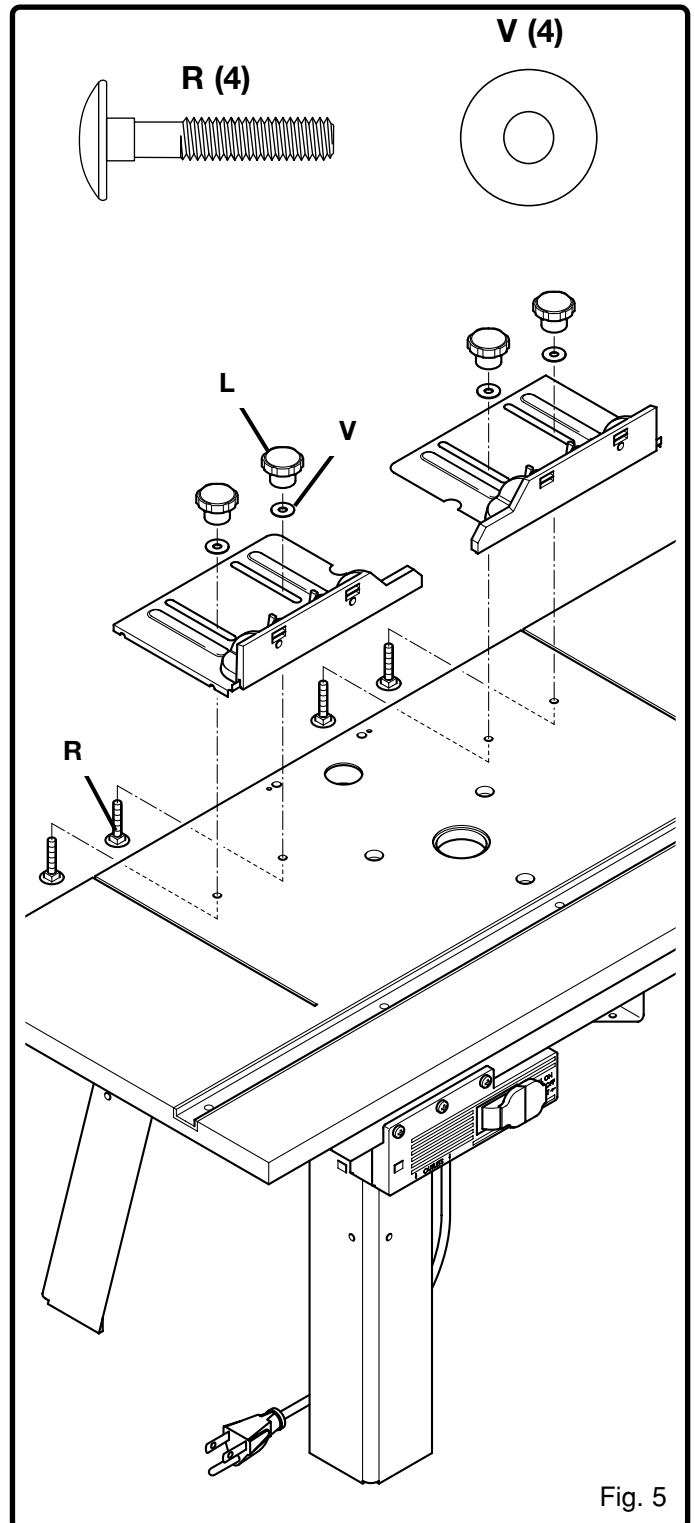
See Figure 4

- Attach left fence (D) to left fence base (E) using 2 countersink screws (S) and 2 wing nuts (W). Repeat for right fence (B) and right fence base (C).



See Figure 5

- Attach left fence assemblies to tabletop using 4 carriage bolts (R), 4 washers (V) and 4 knobs (L). Make sure that the turned down flange fits snug against inside wall of provided groove in tabletop. Use a hammer to tap carriage bolts (R) until seated to the bottom of the tabletop.

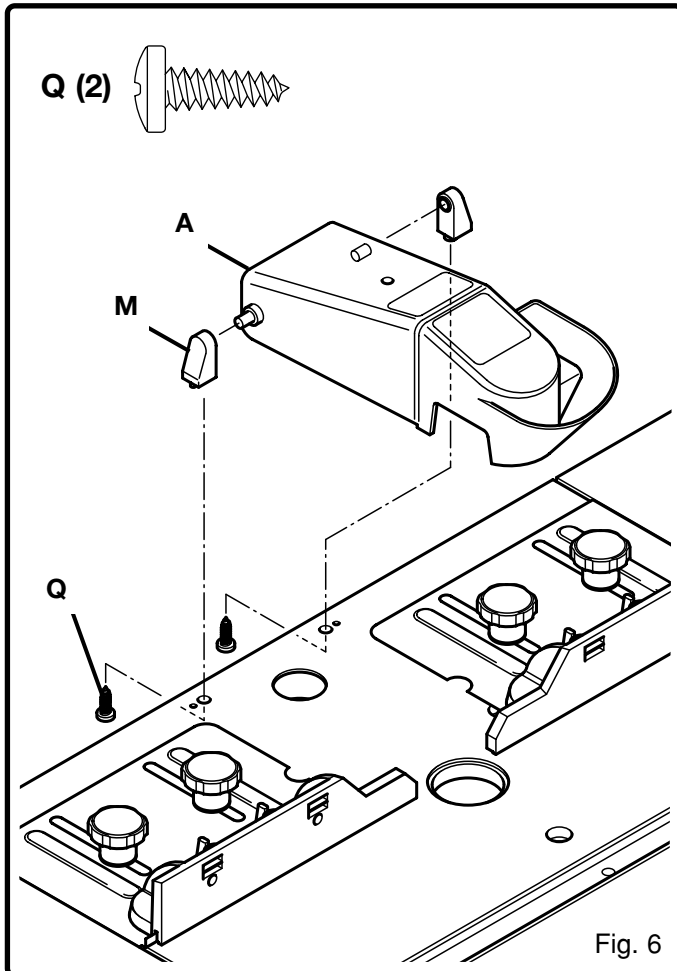


ASSEMBLY

TO ATTACH SAFETY SHIELD

See Figure 6

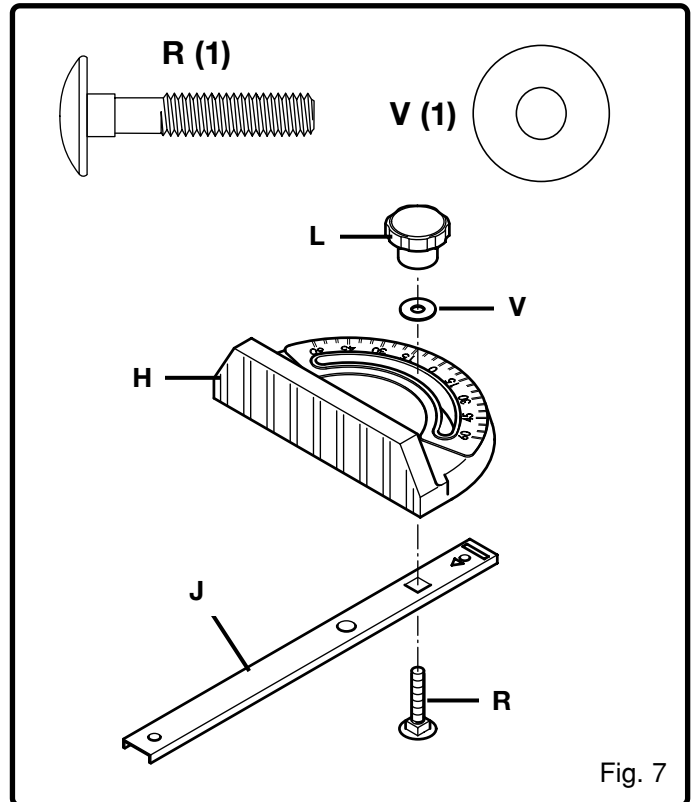
- Place the 2 holders (**M**) onto hinge of safety shield (**A**). Insert the safety shield with both holders on the 2 small holes on tabletop. Attach 2 holders securely to tabletop with 2 pan head screws (**Q**). Use a #3 Phillips screwdriver to keep from stripping the screw heads.



ASSEMBLE THE MITER GUIDE

See Figure 7

- Place the miter guide head (**H**) on top of the miter bar (**J**). Assemble miter guide by threading carriage bolt (**R**) through miter bar (**J**). Place washer (**V**) and knob (**L**) on end of carriage bolt and tighten the knob.



⚠ WARNING:

Before mounting the router make sure you have read and understood pages 9-11 of your owner's manual.

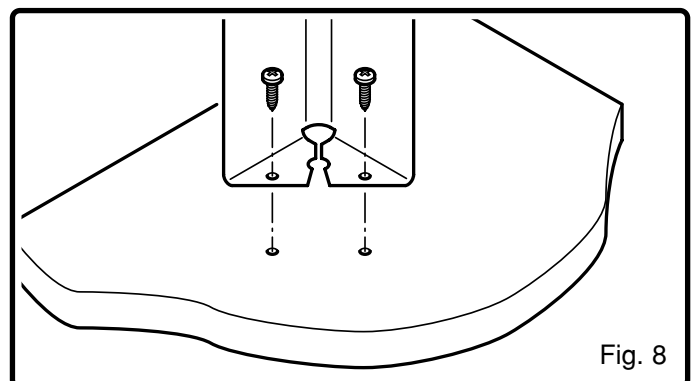
SECURING THE ROUTER TABLE

⚠ WARNING:

DO NOT use the router table unless it is firmly mounted to a stable work surface. Failure to securely mount the router table could lead to serious personal injury and/or property damage.

See Figure 8

- Secure router table to the work surface using wood screws or sheet metal screws and washers (not provided) through the holes.



MOUNTING THE ROUTER

⚠ WARNING:

Always unplug router and remove router bits before mounting to router table. Remove the fence, the insert, the featherboards and the miter guide from the tabletop before mounting the router.

There are two methods for attaching routers to router table. The table will accept routers with bases up to 7" in diameter. See chart below to see whether your router will mount directly to the table or will require the use of the adapter plate provided.

NOTE: If your router is not one of those listed in the chart, place the adapter base plate on top of the router base plate and rotate until the holes in the two plates are aligned. When hole patterns line up, the mounting scheme has been identified.

Brand	Model #	Adapter hole pattern
Ryobi®	R160K, R160V R161K, R161KT R162K, R165 R180, R180PL R1801M	A/AB
Porter Cable®	690, 691 693LRPK 694VK, 892 893PK, 895PK 1001, 8931 9690LR	D
Milwaukee®	26941 5615-21 5616-21 5619-20	D
Hitachi®	KM12VC	D
Black & Decker®	7612	F
DeWalt®	DW 610	F
	DW 616	D
Skil®	1810, 1815 1820, 1823 1825, 1835 1845-02	E
Craftsman®	17504, 17505 17506, 17511 17515, 17528 17533, 26834	E
	27500, 27510 27511	A

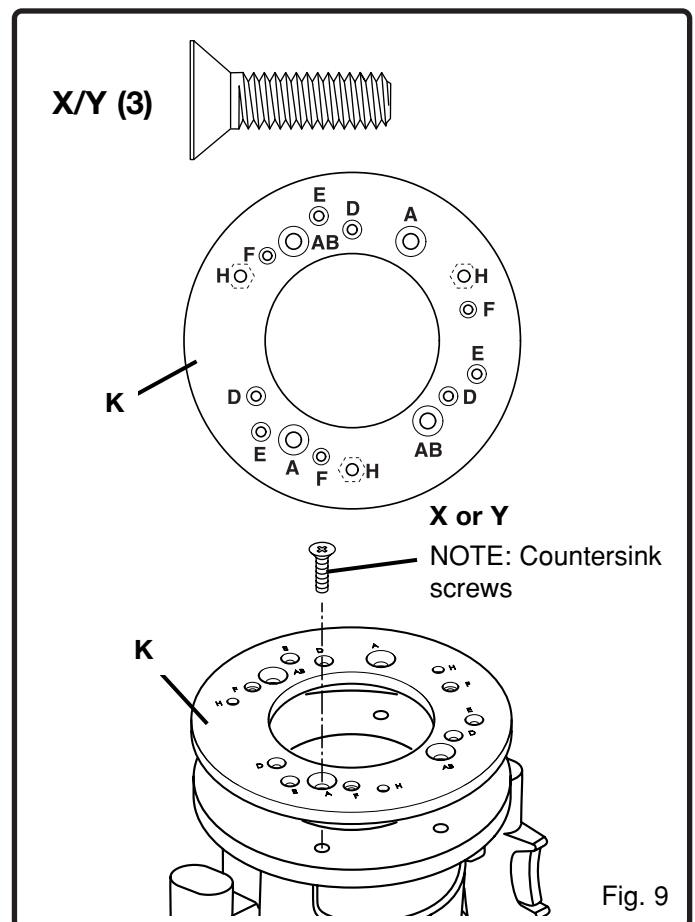
NOTE: If your router does not fit adapter base plate or if you wish to mount router directly to the table for greater cutting depth, remove the base plate from your router, use it as a template, and drill directly through the tabletop.

I. Mounting Routers with 7" Round Adapter Base Plate

See Figure 9 and 10

1. Remove the base plate from router.
2. Place the adapter base plate (**K**) on the router base according to mounting pattern identified in chart. See Figures 9.
3. Use the screws removed from the router base plate to attach the adapter base plate to the router base. Tighten screws securely.
4. Routers with A and AB hole pattern use three countersink 5/16" - 18 x 3/4" screws (**X**), to attach the adapter base plate (**K**) to the router. For Ryobi routers RE600 and RE601 use three M 8 x 20 countersink screws (**Y**).
5. To mount Craftsman routers that use the **E-hole pattern** to the adapter plate (**K**), three 10" - 32 x 1/2" countersink screws are required (not provided).

NOTE: Adapter base plate must be mounted to the router using countersunk flat head screws.



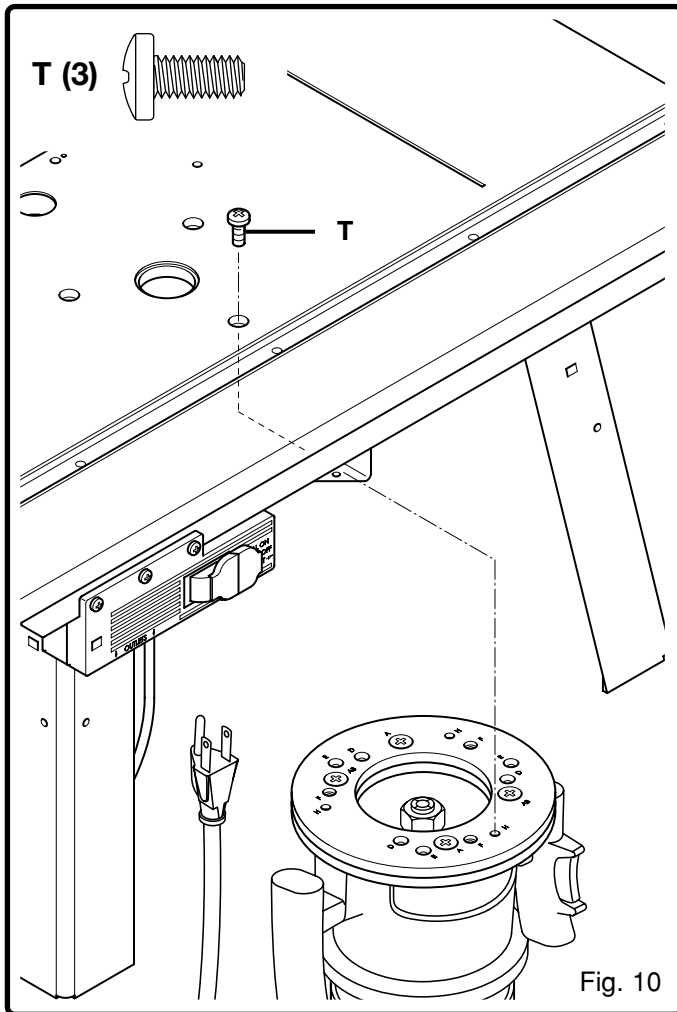
MOUNTING THE ROUTER

See Figure 10

6. Mount the router with adapter base plate using the through holes in the tabletop. Assemble with 3 screws (T) through tabletop and into the adapter base plate at position H. (The adapter base plate comes from the factory with the nuts pressed into it.) Tighten securely.
7. Mount the router with adapter base plate by putting the pan head screws (T) through the holes in the tabletop and router base. Tighten securely.

⚠ CAUTION:

Make sure the screws from router base plate are long enough to mount router securely. Replace if necessary.



II. Mounting Routers with Three-Hole Base Plate (Hole Pattern "E")

See Figure 11

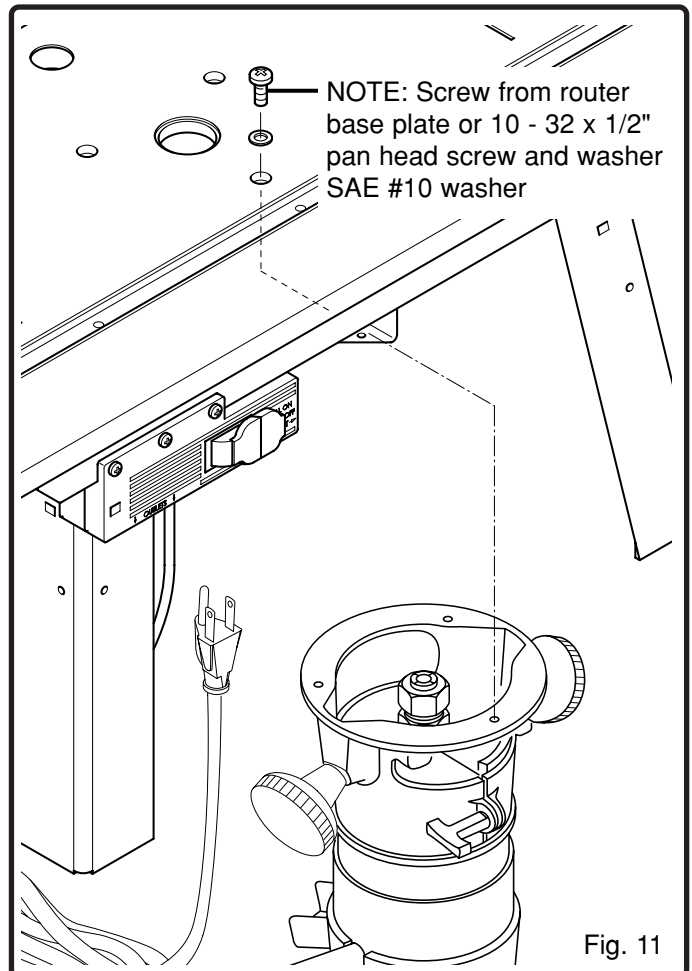
1. Remove router base plate from router by removing screws.

2. Loosen knobs and slide fences so that notches in fence line up to clear mounting holes.
3. While holding router upside down, position it to the underside within the center ring of the table top.
4. Rotate router until the three mounting holes in router base line up with the three larger holes in the table top.
5. Insert three machine screws from router base plate through holes in tabletop and into router mounting holes. Tighten securely.
6. To securely mount Craftsman routers that use the E-hole pattern to the table top without using adapter plate (K), three 10 - 32 x 1/2" pan head screws and three SAE #10 washers are required (not provided).

NOTE: For ease of use, position the router so the ON-OFF switch is accessible from the front of the table.

⚠ CAUTION:

Make sure the screws from router base plate are long enough to mount router securely. Replace if necessary.



SWITCH BOX

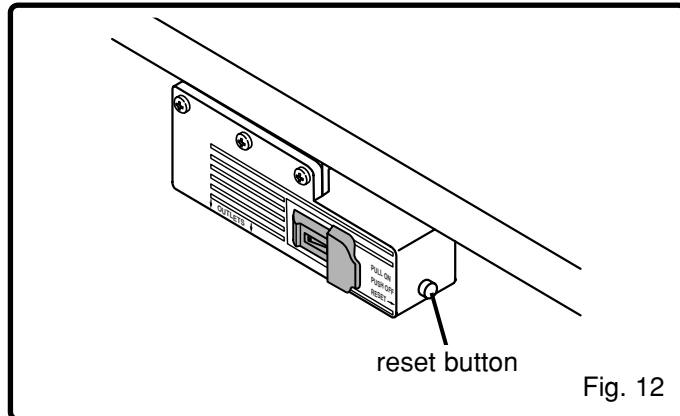
Introduction

See Figure 12

A conveniently located Switch Box allows the operator to:

- turn the router ON and OFF from the front of the table
- simultaneously operate other devices such as a light or a vacuum

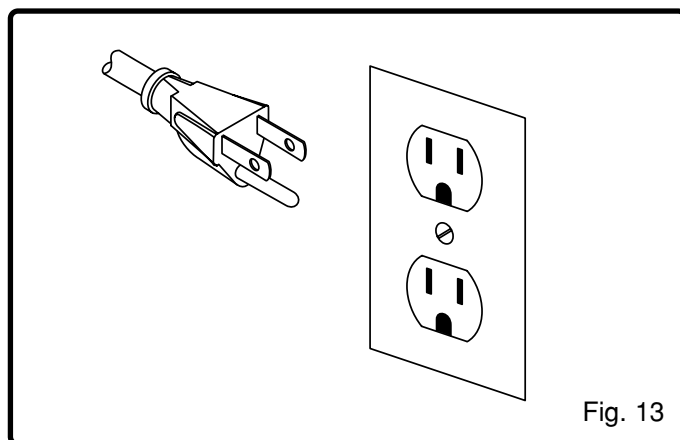
It also features a resettable, internal circuit breaker that protects your equipment against overloads.



Electrical Hookup

See Figure 13

Proper grounding diverts potentially dangerous electricity away from the operator. The switch box is intended for use with a three-prong, grounded outlet. The switch box's electrical cord features an equipment-grounding connector and a grounding plug. Insert the plug into an accommodating outlet that conforms to all local electrical codes and the National Electric Code (NEC).



⚠ WARNING:

DO NOT MODIFY THE PLUG

If it does not fit correctly, a qualified electrician must install a compatible outlet.

⚠ WARNING:

AVOID THE RISK OF ELECTRICAL SHOCK

NEVER connect the equipment grounding connector (green wire) to a "hot" electrical terminal. When repairing or replacing the electric plug or cord, DO NOT connect the grounding connector to a "hot" electrical terminal.

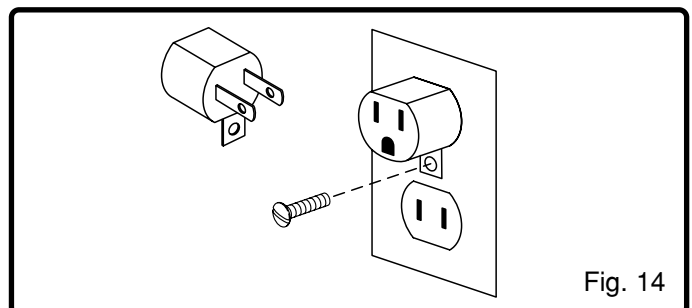
Consult a qualified electrician if you do not understand the grounding procedures or if you are not sure whether the switch box is correctly grounded.

REPLACE DAMAGED CORDS

Damaged and/or worn cords must be repaired or replaced immediately.

Extension cords must be three-wire, 14 gauge or larger (maximum 25 foot length), with three-prong "male" plugs, and three hole "female" receptacles fabricated to accept the tool's plug. The electrical outlets on the bottom of the switch box accept three-prong grounded plugs and the two-prong plugs of double insulated tools.

If a correctly grounded outlet is unavailable, use a temporary adapter to connect the switch box's three-prong plug to a two-hole receptacle. Make use of the temporary adapter only until a qualified electrician installs a correctly grounded, three-prong outlet. The green rigid lug or grounding wire **MUST** connect to the ground on the outlet. See Figure 14



⚠ WARNING:

RISK OF ELECTRIC SHOCK

DO NOT touch prongs when inserting or removing plug from outlet. Improper grounding can produce potentially hazardous electrical discharges that can, in turn, cause serious injury or death - especially in wet conditions, such as a basement, outside, or near plumbing.

DO NOT attach a 3-way plug or any other adapter to outlets on bottom of switch box.

Only use the switch box when it is properly assembled to the router table AND when the router is properly attached to the router table.

SWITCH BOX

Switch Box Familiarization

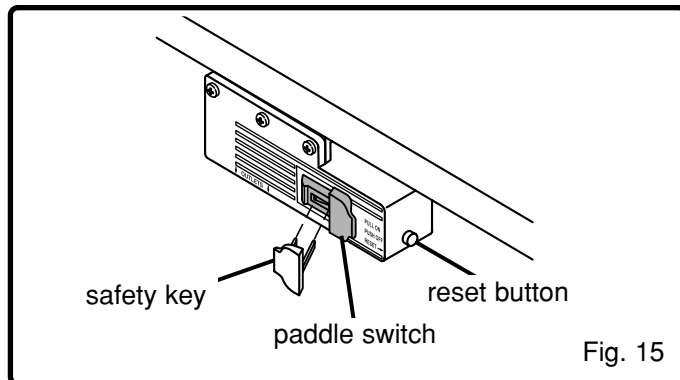
The purpose of this section is to familiarize the user with the operation of the switch box BEFORE the router is plugged in.

⚠ WARNING:

DO NOT plug the router in at this time. An ON switch will start and an unprepared user could possibly be seriously injured.

See Figure 15

The switch box also features a safety key that prevents tools plugged into the switch box from being turned ON inadvertently. Removal of the safety key disables the switch box by locking the switch in the OFF position. Strike the switch paddle with your hand to turn the router OFF in an emergency situation. Please note paddle switch positions and reset button at this time.



Operation of Switch Box and Router

Make sure router switch is OFF and switch box is OFF BEFORE proceeding.

1. Insert the yellow safety key into the switch box.
2. Position router power switch to ON.

NOTE: If your router requires the use of the switch trigger and "Lock-On" button, refer to your Router Owner's Manual for operating instructions.

3. Insert finger under paddle and pull switch to ON position.
4. To turn router OFF, push paddle down.

⚠ WARNING:

Router bit must come to a complete stop before leaving router table unattended.

5. Lock switch to OFF position by removing key from switch box.

For Routers With "LOCK-ON" Feature

The "LOCK-ON" feature will not permit the router to be turned ON by the switch box, but it can be turned OFF by the switch box. Operate as follows:

1. Place the switch box to ON as previously described. The router should NOT start even though the trigger lock is in the "LOCK-ON" position. Refer to your Router Owner's Manual.
2. To start router, depress trigger and engage "LOCK-ON" button. Router should start.

NOTE: The router will not start if the router switch is already in the "LOCK-ON" position. In this case, unlock the trigger, depress the trigger to start the router, then reengage the "LOCK-ON" button.

3. To turn router OFF, push switch paddle down.

Circuit Breaker

If an overload occurs, the circuit breaker inside the switch box trips and interrupts power to the router and any accessories. If this happens:

1. Unplug the power cord.
2. Remove the workpiece from the router bit and table.
3. Find the cause of the overload and correct.
4. Push the reset button to reset it.

See Figure 15.

5. Plug in power cord.
6. Follow instructions under Operation of Switch Box and Router to reset router.

⚠ WARNING:

When router table is not in use, always:

1. Place the switch box in OFF position and remove the safety key.
2. Place router power switch in OFF position.
3. Unplug switch box from wall outlet.
4. Remove router bit.
5. Make sure router collet assembly is below router table.
6. Remove and place safety key in a secure location. Remember where you place the safety key.

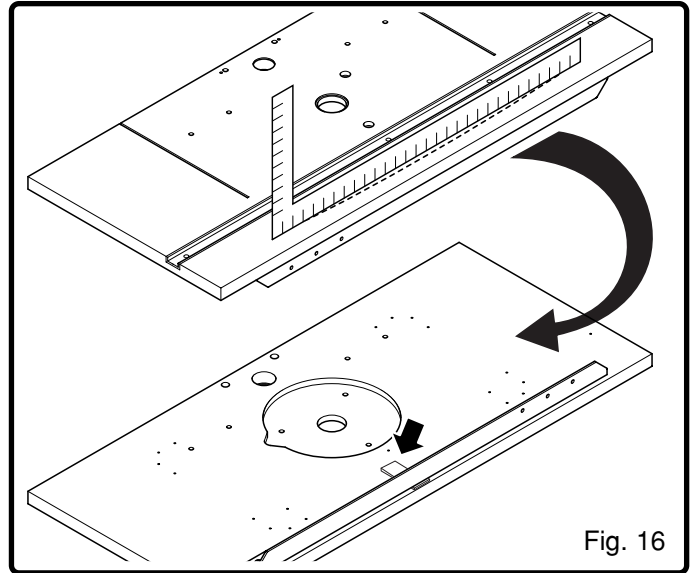
⚠ WARNING:

If breaker trips, or the router stalls, or if the power fails for any other reason, place the switch box in the OFF position, remove the safety key, and unplug the switch box from the wall outlet.

Table flatness adjustment

See Figure 16

Your router table comes equipped with an "L" bracket mounted under it to help ensure the flatness of the working surface. If the router table should ever become warped, the flatness can be adjusted by shimming under the "L" bracket. Loosen "L" bracket mounting screws and place shims as necessary. Tighten the "L" bracket screws securely. Check table top flatness with a straightedge or the edge of a carpenter's square.



OPERATION

Connecting a Vacuum

A hole is provided under the safety shield that will accept standard 1-1/4" vacuum hose connections. (For some shop vacuums, an adapter must be purchased.) If the vacuum is plugged into the switch box, it will turn ON and OFF simultaneously with the router.

WARNING:

Do not use a router bit with a diameter greater than 1-1/4". Consult your router manual for the maximum size of router bit allowable.

Using your router/router table

WARNING:

Before you start work with your new router table: Refer to your router owner's manual to see how the height of the cut can be adjusted.

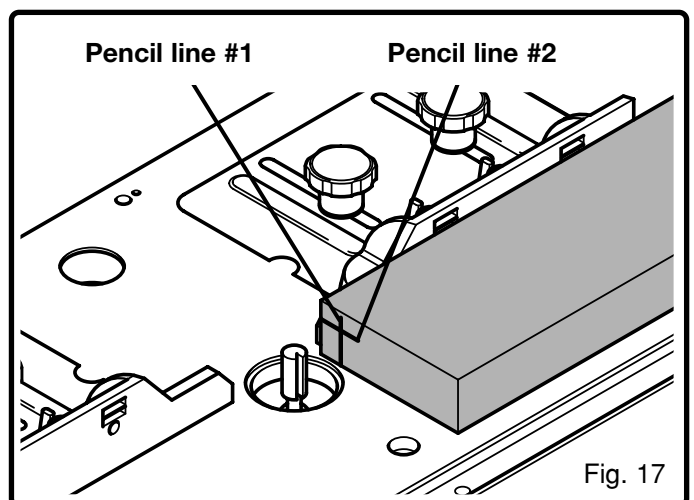
WARNING:

Make sure router is unplugged before starting depth/height adjustments.

NOTE: Using scrap board that is smooth and true is recommended for making this adjustment.

See Figure 17

1. At the end of the board, use a soft pencil to mark line #1. This indicates the depth of the cut.
2. Then mark line #2, indicating the height of the cut.
3. Place your board so that it is snug against the right fence face. The end with lines #1 and #2 should be near the bit.
4. Loosen the right fence clamping knobs enough so you can move the fence easily. Move fence and board so that the board contacts the outer edge of the router bit at line #1.
5. Tighten the right fence clamping knobs.
6. Adjust router height so the cutting edge of the bit contacts line #2.
7. Make sure bit is securely tightened in the collet.

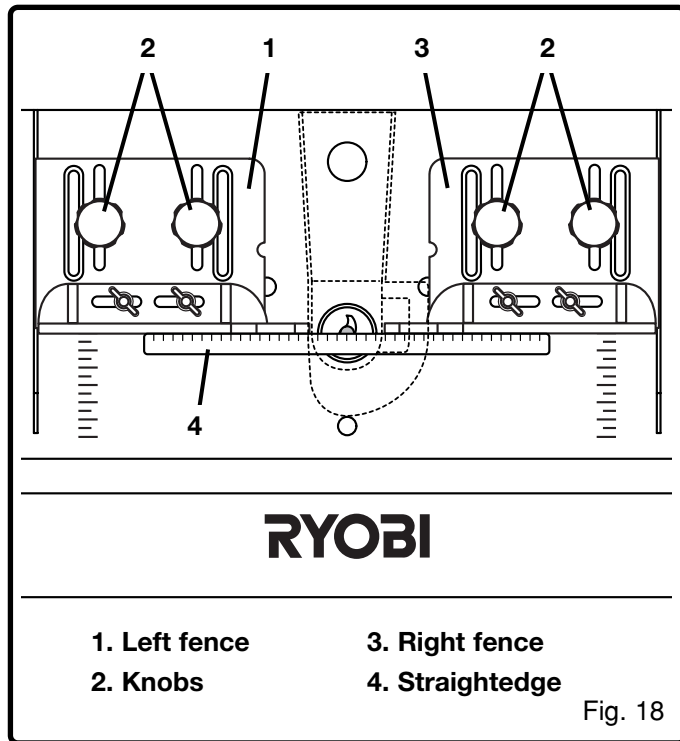


OPERATION

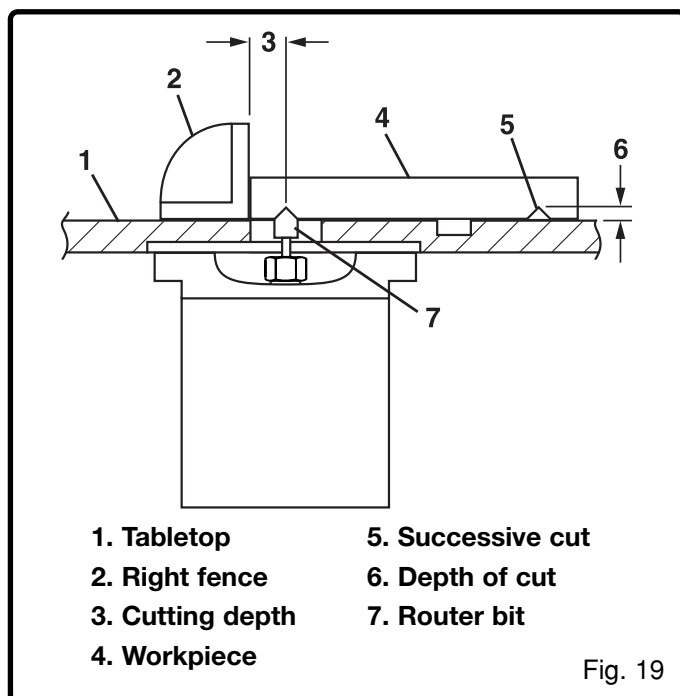
Using the router for beading and edge cutting

See Figure 18 and 19

1. Loosen the knobs that hold the fences in place.
See number 2 in figure 18 below.



2. Position the right fence for the desired cutting depth.
See number 3 in figure 19 below.



3. Tighten the knobs that secure the right fence in place.
4. Place a straightedge against the right fence face.

NOTE: When making this adjustment, the router bit can interfere with the straightedge. If this occurs, lower the bit below the surface of the table until both fences are positioned.

5. Using the straightedge as a guide, position the left fence so it is even with the right fence.
6. Swing the safety shield over the router bit.
7. Your router/router table is now ready to use.

NOTE: Test on a scrap of wood before making final cuts.

⚠ WARNING:

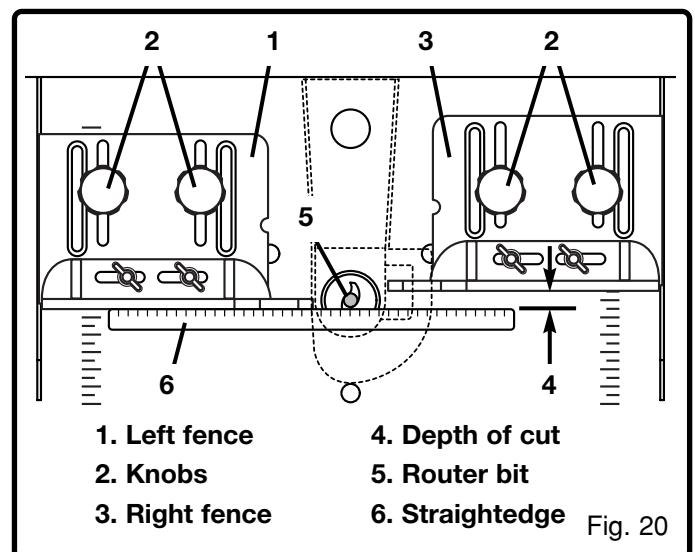
Feed workpiece against the router bit's direction of rotation. Unplug router prior to changing the bit, modifying settings, or making any other adjustments.

Using the router as a jointer

See Figure 20

NOTE: Make sure boards that are to be jointed together are true and smooth. Also make sure edges are prepared properly.

1. Loosen the knobs holding the fences in place.
2. Against the left fence, place a straightedge.
3. Slide fence until straightedge touches the outside diameter of the router bit.
4. Tighten the left fence knobs.



OPERATION

5. Position the right fence to the desired depth of the cut.
6. Tighten the right fence knobs.
7. Securely tighten the router bit, and make sure the router is properly attached to the router table as previously detailed in this manual.
8. Swing the safety shield over the router bit.
9. Your router/router table is ready to use.

NOTE: Try a piece of scrap wood to check for correct adjustment. When standing in front of router table, feed work from right to left.

Using ball-bearing-guided bits; veining, fluting and grooving

⚠ WARNING:

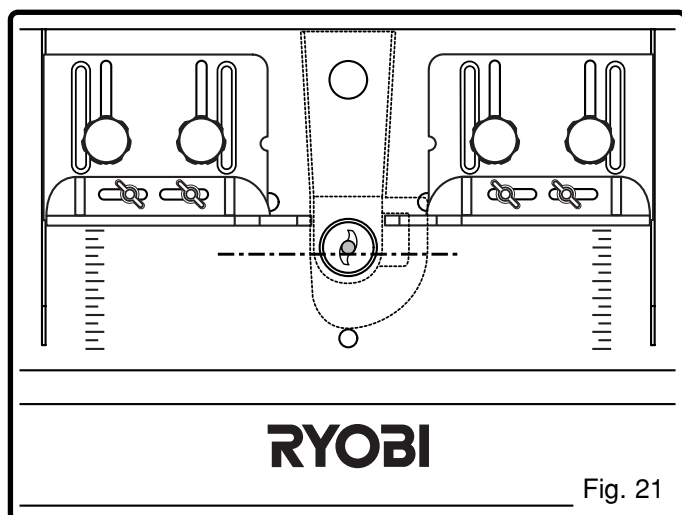
To help reduce the chance of injury, make sure the fences are as close as possible to the ball-bearing-guided bit. Move the fences back **ONLY** enough to permit the pilot to control the depth of cut.

See Figure 21

The edge of the workpiece that slides along the fences must be straight and true for best results. (Use scrap to test settings.)

1. With the router bit set at the required depth, place the fences behind the bit at a distance determined by the previous cut. Lower safety shield.
2. Secure both knobs.
3. Slide the workpiece against the fences. Adjust the fences for subsequent cuts.

NOTE: For deep work, make progressively deeper cuts until you reach the correct depth. To avoid overloading router, remove waste material as you go.



Adjusting the fence slides

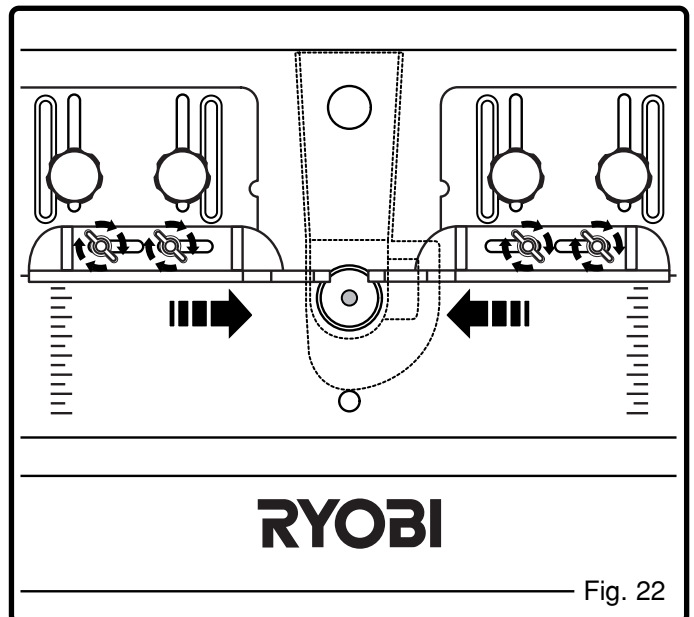
See Figure 22

The fence slides can be positioned closer to the router bit to provide better support of the workpiece.

1. To reposition the fence slides, loosen the 4 wing nuts.
2. Reposition fence slides closer to the router bit.
3. Tighten the 4 wing nuts securely.

⚠ WARNING:

DO NOT let the fence slides touch the router bit.



Routing without safety shield, and/or fence

Some jobs require that you rotate the safety shield out of the way and remove the fence.

⚠ WARNING:

Using the router without the safety shield and fences in place can lead to serious personal injury. Use extreme caution: Operate the router without safety shields and fences ONLY when absolutely necessary, and with ballbearing-guided-type router bits.

Inside routing

See Figure 23

1. Place your workpiece on the tabletop relative to the router bit.
2. Feed your workpiece through the bit in the direction of the arrow. Always feed against the router bit's direction of rotation.

OPERATION

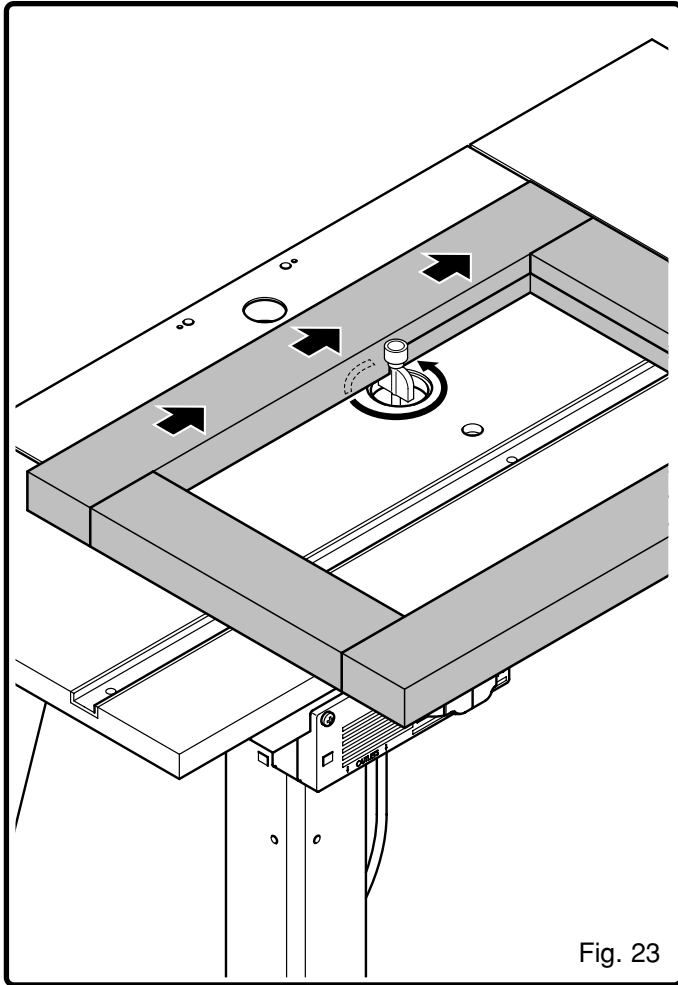


Fig. 23

Outside routing

See Figure 24

1. Place your workpiece on the tabletop relative to the router bit.
2. Feed your workpiece through the bit in the direction of the arrow. Always feed against the router bit's direction of rotation.

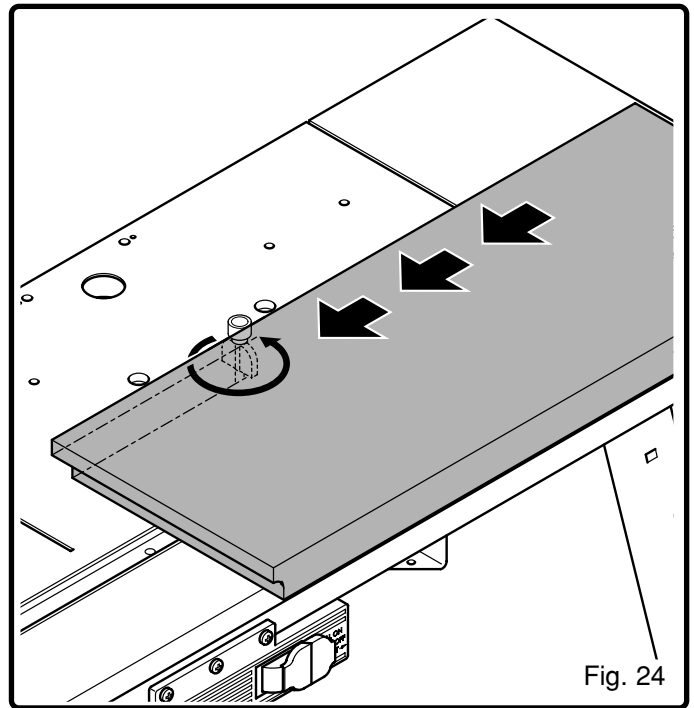


Fig. 24

ACCESSORIES

Using miter guide

See Figure 25

The miter guide can serve as extra support for routing small workpieces and for ends of long workpieces.

NOTE: Make sure that the fence and miter bar slot are parallel before cutting.

To cut miters, unclamp knob that secures the protractor head. Turn head up to 60° in either direction. Retighten knob.

When making cuts using the miter guide, hold the workpiece firmly against the fence, the miter guide, and the table.

⚠ WARNING:

Do not allow any body part to be in line with the router bit at any time when the miter gauge is in use. Doing so could lead to serious personal injury.

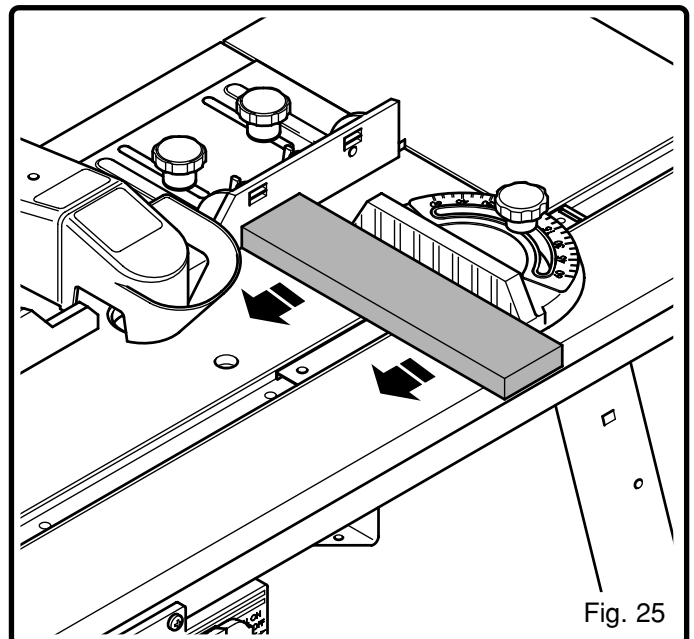


Fig. 25

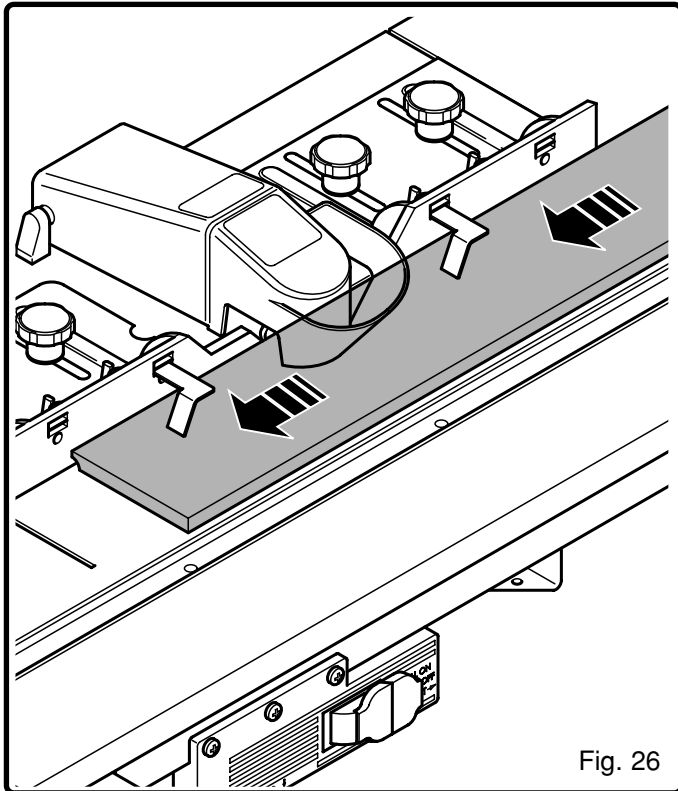
ACCESSORIES

Using featherboard flaps

See Figure 26

The featherboard flaps provide support for the workpiece by holding it securely, which helps minimize chatter and kickback.

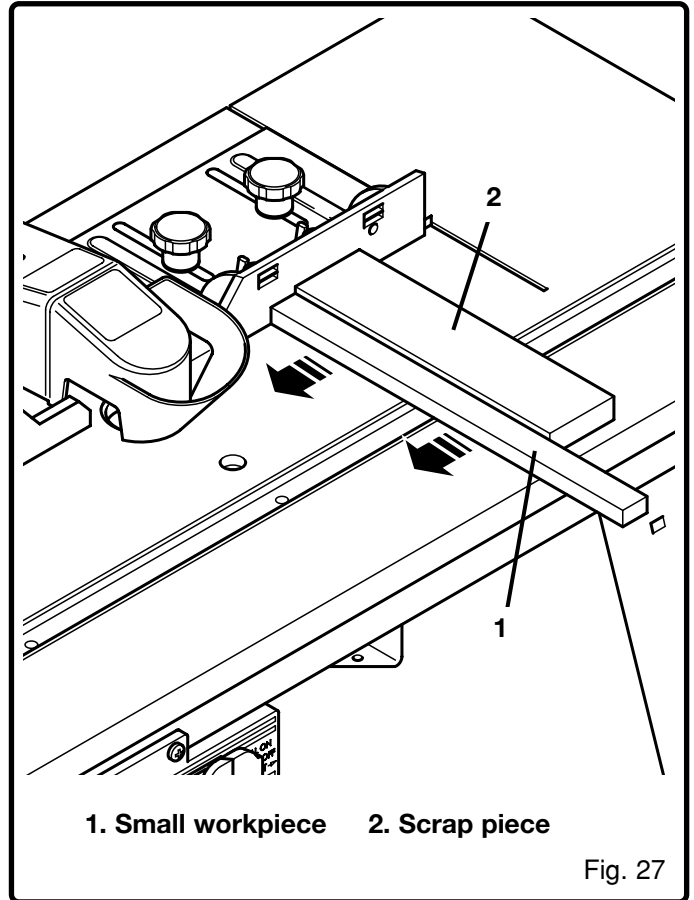
Insert the 2 featherboard flaps into the fences as shown below.



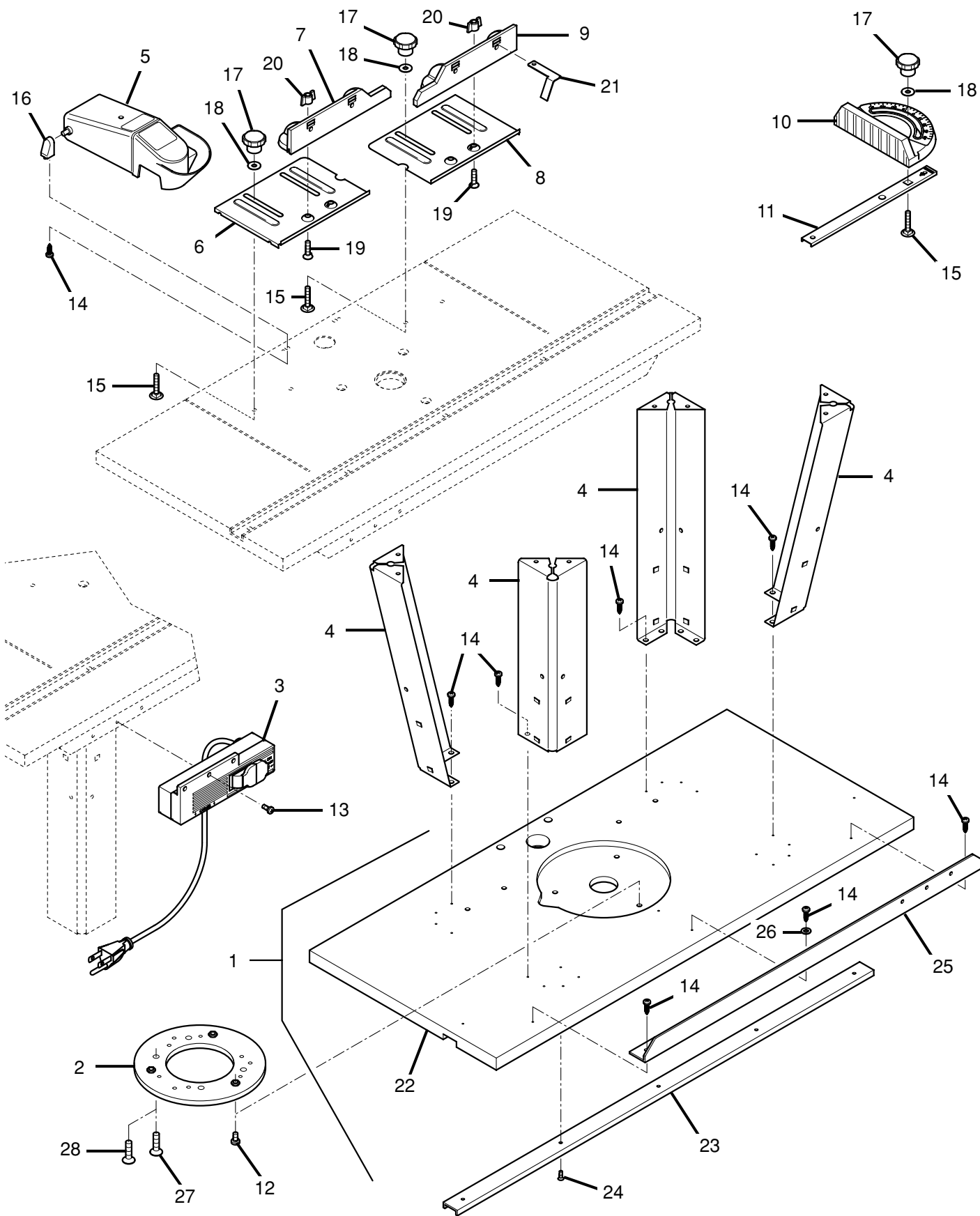
Routing small workpieces

See Figure 27

Scrap pieces will provide extra stability and support when routing a small workpiece or ends of large workpieces.



REPAIR PARTS



REPAIR PARTS

KEY NO.	ITEM	Part NO.	DESCRIPTION	QTY.
1	F	119800417	Tabletop	1
2	K	116620427	Adapter plate	1
3	P	117920107	Switch box	1
4	G	117020211	Leg	4
5	A	116620256	Safety shield	1
6	E	117020215	Fence base, left	1
7	D	116610326	Fence, left	1
8	C	117020214	Fence base, right	1
9	B	116610325	Fence, right	1
10	H	116610328	Miter guide	1
11	J	117010029	Miter bar	1

Hardware bag 1

119900102

12	T	116700190	Pan head screw (M6x12)	3
13	U	116700176	Self tapping pan head screw (M5x12)	3
14	Q	116700186	Pan head screw (5x16)	18
15	R	116700171	Carriage bolt (M6x30)	5
16	M	116610311	Holder	2
17	L	116610284	Knob	5
18	V	116700165	Washer (6,4 DIN 9021)	5
19	S	116700189	Countersink screw with nose (M6x20)	4
20	W	116610310	Wing nut (M6)	4
21	N	116610336	Feather flap	2
27	X	119900141	Countersink screw (5/16" - 18 x 3/4")	3
28	Y	119900212	Countersink screw (M8x20)	3

Repair parts tabletop (Key No. 1)

14	Q	116700186	Pan head screw (5x16)	3
22		117900092	Tabletop	1
23		116610312	Miter chanel	1
24		116700187	Countersink screw (M4x12)	5
25		117020010	L-bracket	1
26		116700175	Washer (6,4 DIN 125)	1

Notes



A series of horizontal dotted lines for writing notes.



OPERATOR'S MANUAL

ROUTER TABLE RT401W

- **SERVICE**

Now that you have purchased your tool, should a need ever exist for repair parts or service, simply contact your nearest Ryobi Authorized Service Center. Be sure to provide all pertinent facts when you call or visit. Please call 1-800-525-2579 for your nearest Ryobi Authorized Service Center. You can also check our Web site at www.ryobitools.com for a complete list of Authorized Service Centers.

- **MODEL NO.**

The model number of this product is found on the packaging and manual.

- **HOW TO ORDER REPAIR PARTS**

WHEN ORDERING REPAIR PARTS,
ALWAYS GIVE THE FOLLOWING INFORMATION:

- MODEL NUMBER RT401W

RYOBI TECHNOLOGIES INC.

1428 Pearman Dairy Road Anderson, SC 29625

Post Office Box 1207 Anderson, SC 29622

www.ryobitools.com

Phone 1-800-525-2579

Free Manuals Download Website

<http://myh66.com>

<http://usermanuals.us>

<http://www.somanuals.com>

<http://www.4manuals.cc>

<http://www.manual-lib.com>

<http://www.404manual.com>

<http://www.luxmanual.com>

<http://aubethermostatmanual.com>

Golf course search by state

<http://golfingnear.com>

Email search by domain

<http://emailbydomain.com>

Auto manuals search

<http://auto.somanuals.com>

TV manuals search

<http://tv.somanuals.com>