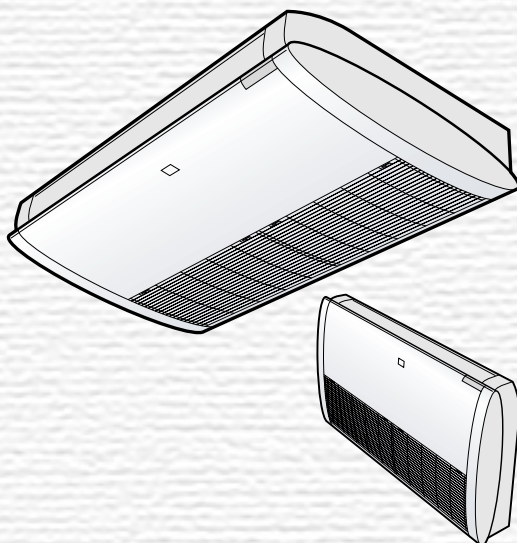


# SHARP®

*Eco inverter*

Air Conditioner



- Uses ozone layer friendly refrigerant R410A.
- Utiliza refrigerante R410A que no daña la capa de ozono.
- Utilizza il refrigerante R410A che non danneggia il buco nell'ozono.
- Usa refrigerante R410A amigo da camada de ozono.
- Utilise un réfrigérant qui n'attaque pas la couche d'ozone, le R410A.

**INDOOR UNIT**  
UNIDAD INTERIOR  
UNITA' INTERNA  
UNIDADE INTERIOR  
UNITE INTERIEURE

**OUTDOOR UNIT**  
UNIDAD EXTERIOR  
UNITA' ESTERNA  
UNIDADE EXTERIOR  
UNITE EXTERIEURE

**GS-XP07FR**  
**GS-XP09FR**  
**GS-XP12FR**  
**GS-XP18FR**  
**GS-XP24FR**  
**GS-XP27FR**

**AE-X7FR**  
**AE-X9FR**  
**AE-X12FR**  
**GU-XR18FR**  
**GU-XR24FR**  
**GU-XR27FR**

\* Plasmacluster is trademark of SHARP Corporation.

**GS-XP07FR**  
**GS-XP09FR**  
**GS-XP12FR**  
**GS-XP18FR**  
**GS-XP24FR**  
**GS-XP27FR**

**FLOOR/CEILING TYPE  
ROOM AIR CONDITIONER  
OPERATION MANUAL**

**TIPO DE SUELO/TECHO  
ACONDICIONADOR DE AIRE  
PARA HABITACIÓN  
MANUAL DE INSTRUCCIONES**

**TIPO DI PAVIMENTO/SOFFITTO  
CONDIZIONATORE D'ARIA PER  
ABITAZIONI  
MANUALE DI ISTRUZIONE**

**TIPO CHÃO/TECTO  
AR CONDICIONADO DE SALA  
MANUAL DE INSTRUÇÕES**

**CLIMATISEUR DOMESTIQUE  
DE TYPE AU SOL/PLAFOND  
NOTICE D'UTILISATION**

ENGLISH

ESPAÑOL

ITALIANO

PORTUGUÊS

FRANÇAIS



Attention: Your product is marked with this symbol. It means that used electrical and electronic products should not be mixed with general household waste. There is a separate collection system for these products.

## **A. Information on Disposal for Users (private households)**

### **1. In the European Union**

Attention: If you want to dispose of this equipment, please do not use the ordinary dust bin!

Used electrical and electronic equipment must be treated separately and in accordance with legislation that requires proper treatment, recovery and recycling of used electrical and electronic equipment.

Following the implementation by member states, private households within the EU states may return their used electrical and electronic equipment to designated collection facilities free of charge\*. In some countries\* your local retailer may also take back your old product free of charge if you purchase a similar new one.

\*) Please contact your local authority for further details.

If your used electrical or electronic equipment has batteries or accumulators, please dispose of these separately beforehand according to local requirements.

By disposing of this product correctly you will help ensure that the waste undergoes the necessary treatment, recovery and recycling and thus prevent potential negative effects on the environment and human health which could otherwise arise due to inappropriate waste handling.

### **2. In other Countries outside the EU**

If you wish to discard this product, please contact your local authorities and ask for the correct method of disposal.

For Switzerland: Used electrical or electronic equipment can be returned free of charge to the dealer, even if you don't purchase a new product. Further collection facilities are listed on the homepage of [www.swico.ch](http://www.swico.ch) or [www.sens.ch](http://www.sens.ch).

## **B. Information on Disposal for Business Users.**

### **1. In the European Union**

If the product is used for business purposes and you want to discard it:

Please contact your SHARP dealer who will inform you about the take-back of the product. You might be charged for the costs arising from take-back and recycling. Small products (and small amounts) might be taken back by your local collection facilities.

For Spain: Please contact the established collection system or your local authority for take-back of your used products.

### **2. In other Countries outside the EU**

If you wish to discard of this product, please contact your local authorities and ask for the correct method of disposal.

Thank you for purchasing a SHARP air conditioner. Please read this manual carefully before operating the product.

## CONTENTS

• IMPORTANT SAFETY INSTRUCTIONS .....	E-1	• ONE-HOUR OFF TIMER .....	E-11
• ADDITIONAL NOTES ON OPERATION .....	E-3	• TIMER OPERATION .....	E-12
• TIPS ON SAVING ENERGY .....	E-3	• TIPS ABOUT PLASMACLUSTER OPERATION .....	E-14
• PART NAMES .....	E-4	• PLASMACLUSTER OPERATION .....	E-14
• USING THE REMOTE CONTROL .....	E-6	• AUXILIARY MODE .....	E-15
• BASIC OPERATION .....	E-8	• MAINTENANCE .....	E-15
• ADJUSTING THE AIR FLOW DIRECTION .....	E-10	• BEFORE CALLING FOR SERVICE ....	E-17
• FULL POWER OPERATION .....	E-11		

## IMPORTANT SAFETY INSTRUCTIONS

### WARNINGS FOR USE

- 1** Do not pull or deform the power supply cord. Pulling and misuse of the power supply cord can result in damage to the unit and cause electrical shock.
- 2** Be careful not to expose your body directly to the outlet air for a long time. It may affect your physical conditions.
- 3** When using the air conditioner for infants, children, elderly, bedridden, or disabled people make sure the room temperature is suitable for those in the room.
- 4** Never insert objects into the unit. Inserting objects can result in injury due to the high speed rotation of internal fans.
- 5** Ground the air conditioner without fail. Do not connect the grounding wire to gas pipe, water pipe, lightning rod or telephone grounding wire. Incomplete grounding may cause electric shock.
- 6** If anything is abnormal with the air conditioner (ex. a burning smell), stop the operation immediately and turn the circuit breaker OFF.
- 7** The appliance shall be installed in accordance with national wiring regulations. Improper cable connection can cause the power supply cord, plug and the electrical outlet to overheat and cause fire.
- 8** If the supply cord is damaged, it must be replaced by the manufacturer or its service agent or a similarly qualified person in order to avoid a hazard. Use only the manufacture-specified power cord for replacement.

### WARNINGS FOR INSTALLATION / REMOVAL / REPAIR

- Do not attempt to install/remove/repair the unit by yourself. Incorrect work will cause electric shock, water leak, fire etc. Consult your dealer or other qualified service personnel for the installation/removal/repair of the unit.



This equipment complies with the requirements of Directives 89/336/EEC and 73/23/EEC as amended by 93/68/EEC.

# IMPORTANT SAFETY INSTRUCTIONS

## CAUTIONS FOR USE

- 1** Open a window or door periodically to ventilate the room, especially when using gas appliances. Insufficient ventilation may cause oxygen shortage.
- 2** Do not operate the buttons with wet hand. It may cause electric shock.
- 3** For safety, turn the circuit breaker off when not using the unit for an extended period of time.
- 4** Check the outdoor unit mounting rack periodically for wear and to make sure it is firmly in place.
- 5** Do not put anything on the outdoor unit nor step on it. The object or the person may fall down or drop, causing injury.
- 6** This unit is designed for residential use. Do not use for other applications such as in a kennel or greenhouse to raise animals or grow plants.
- 7** Do not place a vessel with water on the unit. If water penetrates into the unit, electrical insulations may deteriorate and cause electric shock.
- 8** Do not block the air inlets nor outlets of the unit. It may cause insufficient performance or troubles.
- 9** Be sure to stop the operation and turn the circuit breaker off before performing any maintenance or cleaning. A fan is rotating inside the unit and you may get injured.
- 10** Do not splash or pour water directly on the unit. Water can cause electrical shock or equipment damage.
- 11** This appliance is not intended for use by young children or infirm persons without supervision.  
Young children should be supervised to ensure that they do not play with the appliance.

## CAUTIONS FOR LOCATION / INSTALLATION

- Make sure to connect the air conditioner to power supply of the rated voltage and frequency.  
Use of a power supply with improper voltage and frequency can result in equipment damage and possible fire.
- Do not install the unit in a place where inflammable gas may leak. It may cause fire.  
Install the unit in a place with minimal dust, fumes and moisture in the air.
- Arrange the drain hose to ensure smooth drainage. Insufficient drainage may cause wetting of the room, furniture etc.
- Make sure a leak breaker or a circuit breaker is installed, depending on the installation location, to avoid electrical shock.

# ADDITIONAL NOTES ON OPERATION

## OPERATING TEMPERATURE RANGE

		INDOOR TEMP.	OUTDOOR TEMP.
COOLING	upper limit	32°C D.B. 23°C W.B.	43°C D.B. -
	lower limit	21°C D.B. 15°C W.B.	21°C D.B. -
HEATING	upper limit	27°C D.B. -	24°C D.B. 18°C W.B.
	lower limit	20°C D.B. -	-7°C D.B. -8°C W.B.

D.B. = Dry-bulb    W.B. = Wet-bulb

- The built-in protective device may prevent the unit from operating when used out of this range.
- Condensation may form on the air outlet if the unit operates continuously in the COOL or DRY mode when humidity is over 80 percent.

## WHEN POWER FAILURE OCCURS

This air conditioner has a memory function to store settings when a power failure occurs. After power recovery, the unit will automatically re-start in the same settings which were active before the power failure, except for timer settings. If the timers were set before a power failure, they will need to be re-set after power recovery.

## PREHEATING FUNCTION

In the HEAT operation, the indoor fan may not start for two to five minutes after the unit is turned on to prevent cold air from blowing out of the unit.

## DE-ICING FUNCTION

- When ice forms on the heat exchanger in the outdoor unit during the HEAT operation, an automatic de-icer provides heat for about 5 to 10 minutes to remove the ice. During de-icing, the inside and outside fans stop operating.
- After de-icing is completed, the unit automatically resumes operation in the HEAT mode.

## HEATING EFFICIENCY

- The unit employs a heat pump that draws heat from the outside air and releases it into the room. The outside air temperature therefore greatly affects the heating efficiency.
- If the heating efficiency is reduced due to low outside temperatures, use an additional heater.
- It takes time to warm up and heat the entire room because of the forced air circulation system.

# TIPS ON SAVING ENERGY

Below are some simple ways to save energy when you use your air conditioner.

## SET THE CORRECT TEMPERATURE

- Setting the thermostat 1°C higher than the desired temperature in the COOL mode and 2°C lower in the HEAT mode will save approximately 10 percent in power consumption.
- Setting the temperature lower than necessary during cooling operation will result in increased power consumption.

## BLOCK DIRECT SUNLIGHT AND PREVENT DRAFTS

- Blocking direct sunlight during cooling operation will reduce power consumption.
- Close the windows and doors during cooling and heating operations.

## SET PROPER AIR FLOW DIRECTION TO OBTAIN THE BEST AIR CIRCULATION

## KEEP FILTER CLEAN TO ENSURE THE MOST EFFICIENT OPERATION

## MAKE MOST OF THE TIMER OFF FUNCTION

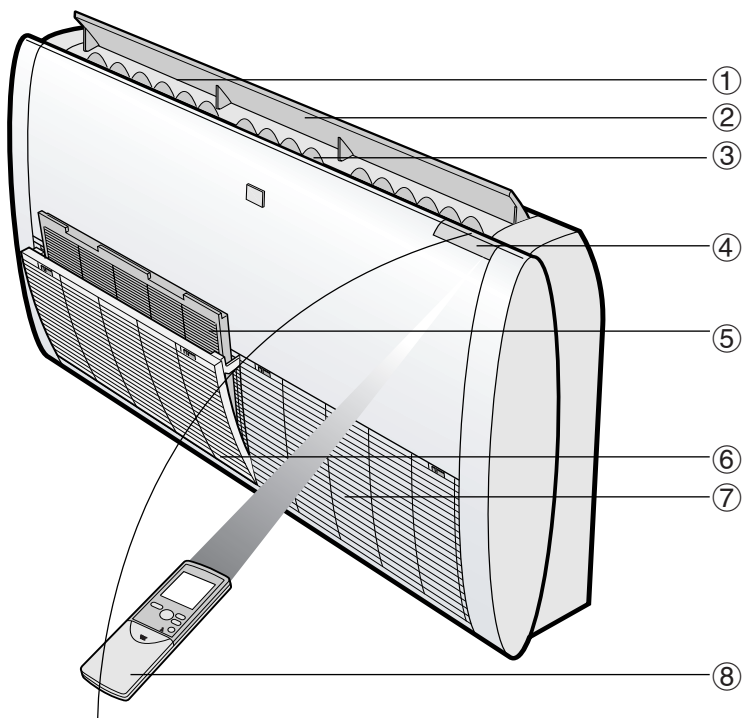
## DISCONNECT THE POWER CORD WHEN THE UNIT IS NOT USED FOR AN EXTENDED PERIOD OF TIME


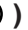
- The indoor unit still consumes a small amount of power when it is not operating.

# PART NAMES

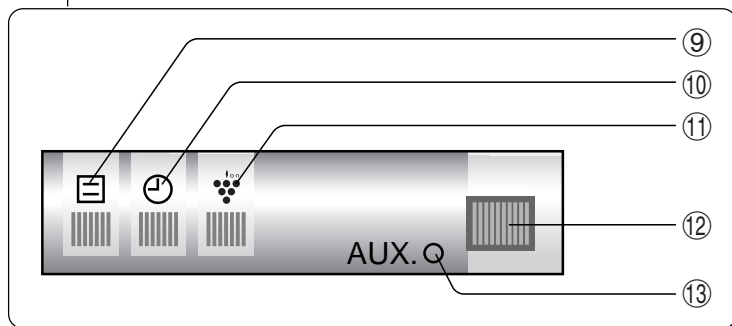
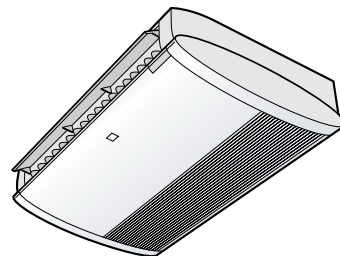
## INDOOR UNIT

(When installed on the floor)



- ① Outlet (Air)
- ② Vertical Adjustment Louvres
- ③ Horizontal Adjustment Louvres
- ④ Indicator Panel
- ⑤ Air Filters
- ⑥ Intake Grille
- ⑦ Inlet (Air)
- ⑧ Remote Control
- ⑨ OPERATION Lamp (red )
- ⑩ TIMER Lamp (orange )
- ⑪ PLASMACLUSTER Lamp (blue)
- ⑫ RECEIVER Window
- ⑬ AUX. Button

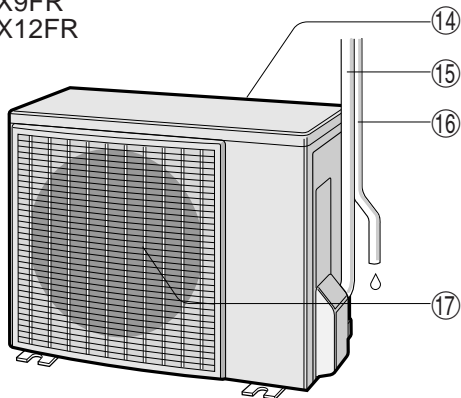
(When installed on the ceiling)



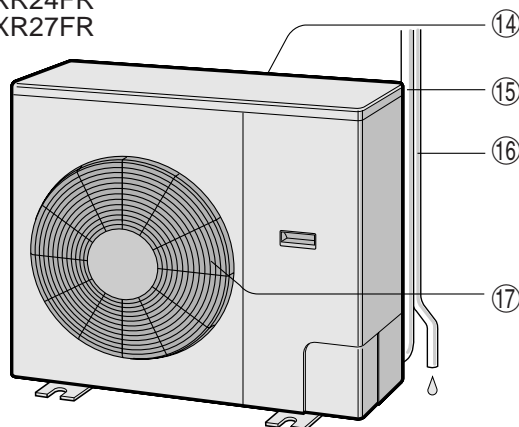
- ⑭ Inlet (Air)
- ⑮ Interconnecting Cord and Refrigerant Tube
- ⑯ Drainage Hose
- ⑰ Outlet (Air)

## OUTDOOR UNIT

AE-X7FR  
AE-X9FR  
AE-X12FR

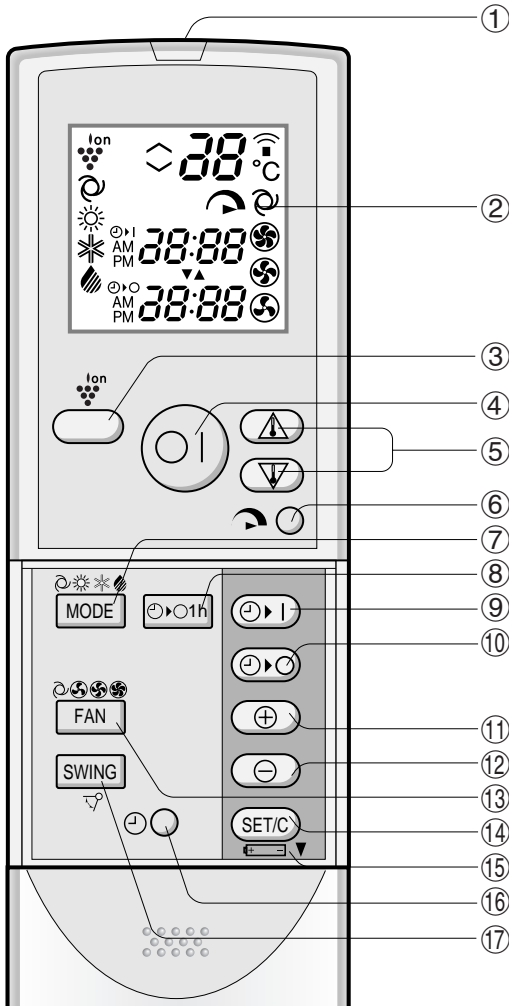


GU-XR18FR  
GU-XR24FR  
GU-XR27FR



NOTE: Actual units might vary slightly from those shown above.

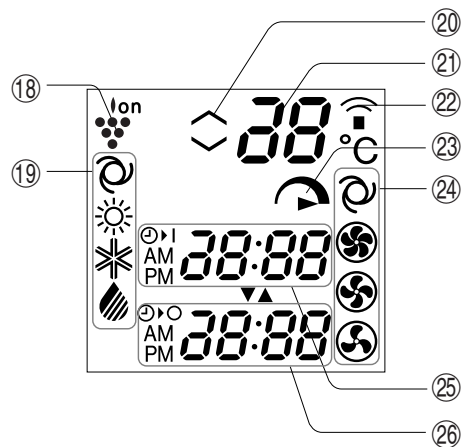
# REMOTE CONTROL



- ① TRANSMITTER
- ② DISPLAY (Liquid Crystal Display)
- ③ PLASMACLUSTER Button
- ④ ON/OFF Button
- ⑤ THERMOSTAT Button
- ⑥ FULL POWER Button
- ⑦ MODE Button
- ⑧ ONE-HOUR OFF TIMER Button
- ⑨ TIMER ON Button (for setting the timer)
- ⑩ TIMER OFF Button (for setting the timer)
- ⑪ TIME ADVANCE Button
- ⑫ TIME REVERSE Button
- ⑬ FAN Button
- ⑭ TIMER SET/CANCEL Button
- ⑮ Indicates BATTERY COMPARTMENT is below this mark
- ⑯ CLOCK Button
- ⑰ SWING Button

## L.C.D. REMOTE CONTROL DISPLAY

- ⑱ PLASMACLUSTER SYMBOL
- ⑲ MODE SYMBOLS
  - : AUTO
  - : COOL
  - : HEAT
  - : DRY
- ⑳ THERMOSTAT SETTING FOR AUTO AND DRY MODES
- ㉑ TEMPERATURE INDICATOR
- ㉒ TRANSMITTING SYMBOL
- ㉓ FULL POWER SYMBOL
- ㉔ FAN SPEED SYMBOLS
  - : AUTO
  - : LOW
  - : HIGH
  - : SOFT



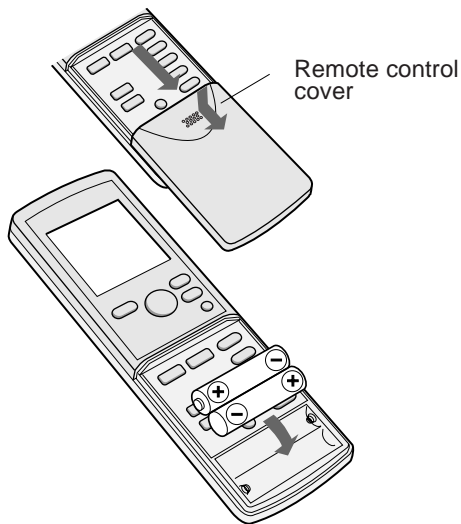
- ㉕ TIMER ON INDICATOR/CLOCK
  - Indicates the on timer preset time or current time.
- ㉖ TIMER OFF INDICATOR
  - Indicates the preset time for off timer or one-hour off timer.

ENGLISH

# USING THE REMOTE CONTROL

## LOADING BATTERIES Use two size-AAA (R03) batteries.

- 1 Remove the remote control cover.
- 2 Insert batteries in the compartment, making sure the  $\oplus$  and  $\ominus$  polarities are correctly aligned.
  - The display indicates "AM 6:00" when batteries are properly installed.
- 3 Reinstall the cover.



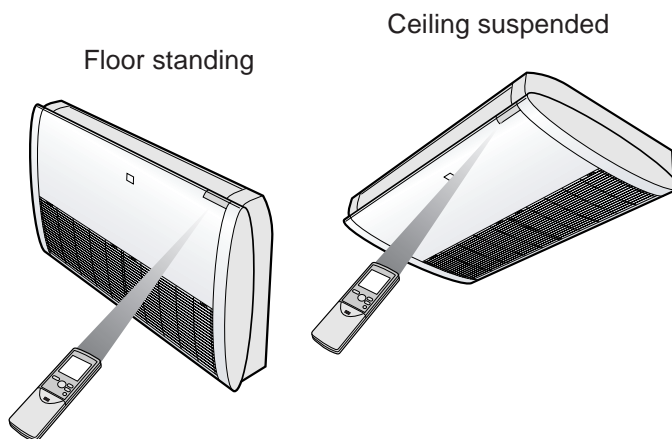
### NOTES:

- The battery life is approximately one year in normal use.
- When you replace the batteries, always change both batteries, and make sure they are the same type.
- If the remote control does not operate properly after replacing the batteries, take out the batteries and reinstall them again after 30 seconds.
- If you will not be using the unit for a long time, remove the batteries from the remote control.

## HOW TO USE THE REMOTE CONTROL

**Point the remote control towards the unit's signal receiver window and press the desired button. The unit generates a beep when it receives the signal.**

- Make sure there is no curtain or other object between the remote control and the unit.
- The remote control can send signals from up to 7 metres away.







## CAUTION

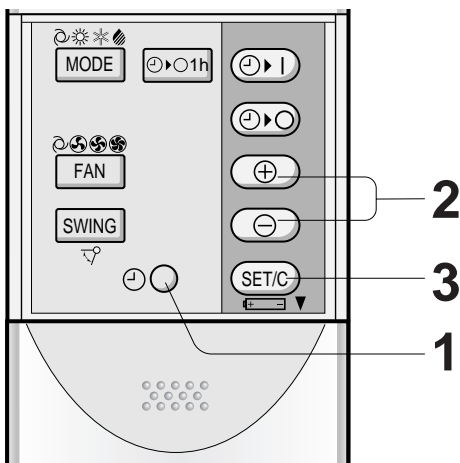
- Do not allow the signal receiver window to receive strong direct sunlight, since it can adversely affect its operation. If the signal receiver window is exposed to direct sunlight, close a curtain to block the light.
- Using a fluorescent lamp with a quick starter in the same room may interfere with transmission of the signal.
- The unit can be affected by signals transmitted from the remote control of a television, VCR or other equipment used in the same room.
- Do not leave the remote control in direct sunlight or near a heater. Also, protect the unit and remote control from moisture and shock which can discolour or damage them.

## SET CURRENT CLOCK TIME

There are two clock modes: 12-hour mode and 24-hour mode.

Example: 5 o'clock in the afternoon

Clock	Display
12-hour mode	PM 5:00
24-hour mode	17:00

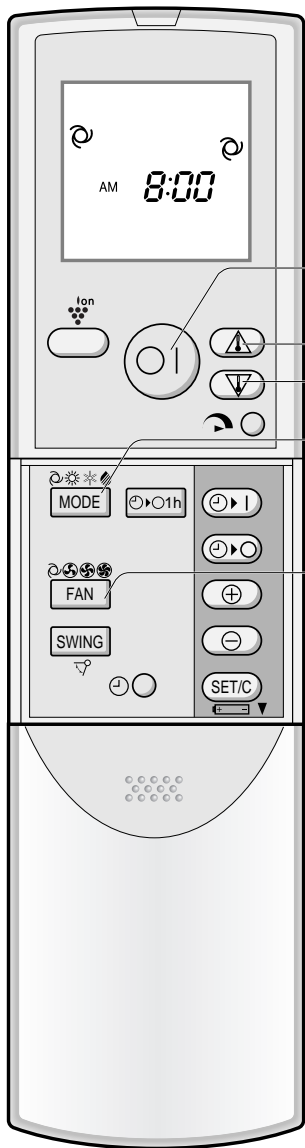


- 1** To set to the 12-hour mode, press the CLOCK button once in the first step. To set to the 24-hour mode, press the CLOCK button twice in the first step.
- 2** Press the TIME ADVANCE or REVERSE button to set the current time.
  - Keep the button pressed to advance or reverse the time display quickly.
- 3** Press the SET/C button.
  - The colon (:) blinks to indicate that the clock is functioning.

### NOTE:

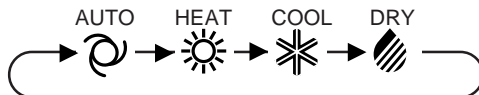
- The current time cannot be set when the timer is operating.

# BASIC OPERATION



1

Press the MODE button to select the operation mode.



2

Press the ON/OFF button to start operation.

- The red OPERATION lamp (  ) on the unit will light.


2


5

3

Press the THERMOSTAT button to set the desired temperature.

- In the AUTO and DRY modes, the temperature can be changed in 1°C increments within the range of 2°C higher to 2°C lower from the temperature automatically determined by the air conditioner. (Example: 1°C higher)
 

 1°C
- In the COOL and HEAT modes, the temperature can be set within the range of 18 to 32°C. (Example: 2°C lower)
 

 2°C

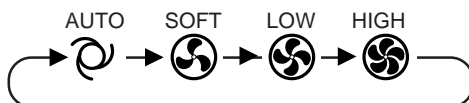
3

1

4

4

Press the FAN button to set the desired fan speed.



- In the DRY mode, the fan speed is preset to AUTO and cannot be changed.

5

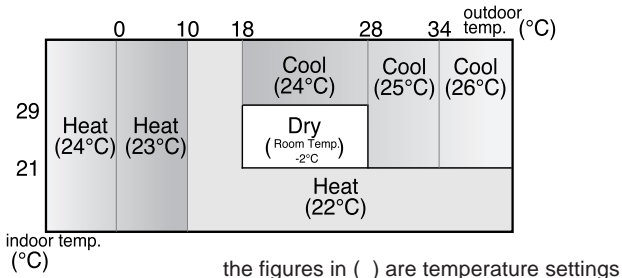
To turn off the unit, press the ON/OFF button again.

- The red OPERATION lamp (  ) on the unit will turn off.

## TIPS ABOUT AUTO MODE

In the AUTO mode, the temperature setting and mode are automatically selected according to the room temperature and outdoor temperature when the unit is turned on.

### Modes and Temperature Settings



During operation, if the outdoor temperature changes, the temperature settings will automatically slide as shown in the chart.

### MODE CHANGEOVER

During seasons when you need COOLING at daytime and HEATING at night, or if the room temperature should become extremely higher than the temperature setting, due to supplementary heating equipment, the mode will automatically switch between HEAT and COOL mode to keep the comfortable room temperature.

# ADJUSTING THE AIR FLOW DIRECTION

## VERTICAL AIR FLOW DIRECTION

### HOW TO ADJUST THE AIR FLOW DIRECTION

Press the SWING button on the remote control once.

- The vertical adjustment louvre will change its angle continuously.

Press the SWING button again when the vertical adjustment louvre is at the desired position.

- The louvre will stop moving within the range shown in the diagram.
- The adjusted position will be memorized and will be automatically set to the same position when operated the next time.

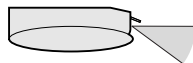
### Adjustment range

#### COOL and DRY modes

Floor standing



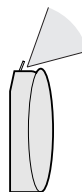
Ceiling suspended



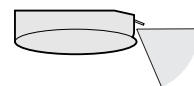
The adjustment range is narrower the SWING range in order to prevent condensation from dripping.

#### HEAT mode

Floor standing



Ceiling suspended

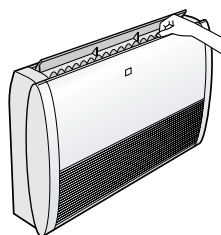


The range is wide so the air flow can be directed toward the floor.

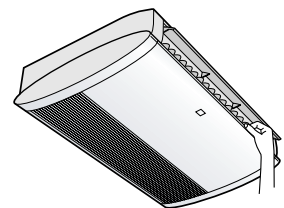
## HORIZONTAL AIR FLOW DIRECTION

Hold the horizontal adjustment louvre as shown in the diagram and adjust the air flow direction.

Floor standing




Ceiling suspended



### CAUTION

Never attempt to adjust the vertical adjustment louvres manually.

- Manual adjustment of the vertical adjustment louvre can cause the unit to malfunction when the remote control is used for adjustment.
- When the vertical adjustment louvre is positioned at the lowest position in the COOL or DRY mode for an extended period of time, condensation may result.

Do not adjust the horizontal adjustment louvre to the extreme left or right in the COOL mode with the fan speed set to "SOFT(  )" for an extended period of time.


Condensation may form on the louvres.

# FULL POWER OPERATION

In this operation, the air conditioner works at maximum power to makes the room cool or warm so rapidly that you can use it just after you come home.



**1** To activate the FULL POWER operation, press the FULL POWER button during operation.

- The remote control will display .
- The temperature display will go off.

## TO CANCEL

Press the FULL POWER button again.

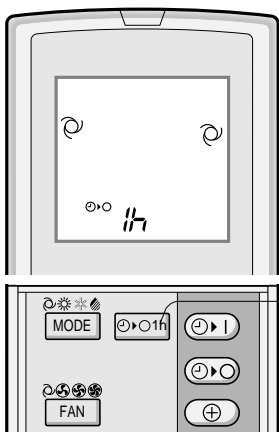
- FULL POWER operation will also be cancelled when the operation mode is changed, or when the unit is turned off.

## NOTE:


- You cannot set the temperature or fan speed during the FULL POWER operation.

# ONE-HOUR OFF TIMER

When the ONE-HOUR OFF TIMER is set, the unit will automatically turn off after one hour.




**1** Press the ONE-HOUR OFF TIMER button.



- The remote control displays "0:00 1h".
- The orange TIMER lamp (  ) on the unit will light up.
- The unit will stop operating after one hour.

## TO CANCEL

Press the TIMER CANCEL (SET/C) button.

- The orange TIMER lamp (  ) on the unit will turn off.

Alternatively, turn the unit off by pressing the ON/OFF button.

- The red OPERATION lamp (  ) and the orange TIMER lamp (  ) on the unit will turn off.

## NOTES:

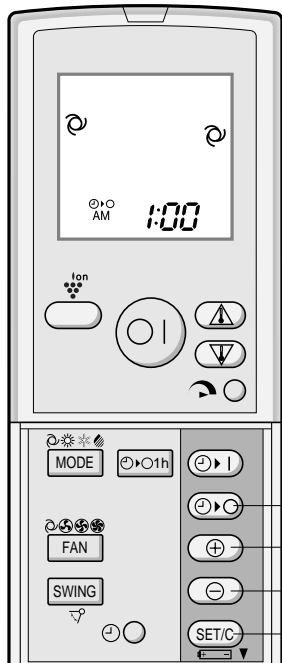
- The ONE-HOUR OFF TIMER operation has priority over TIMER ON and TIMER OFF operations.
- If the ONE-HOUR OFF TIMER is set while the unit is not operating, the unit will operate for an hour at the formerly set condition.
- If you wish to operate the unit for another hour before the ONE-HOUR OFF TIMER is activated, press the ONE-HOUR OFF TIMER button again during operation.
- If TIMER ON and/or TIMER OFF are set, TIMER CANCEL button cancels every setting.



# TIMER OPERATION

## NOTE:

Before setting the timer, make sure the clock is properly set with the current time.

## TIMER OFF



- 1 Press the TIMER OFF (  ) button.
- 2 The TIMER OFF indicator will blink; press the TIME ADVANCE or REVERSE buttons to set the desired time. (The time can be set in 10-minute increments.)
- 3 Point the remote control at the signal receiver window on the unit and press the TIMER SET (SET/C) button.
  - The orange TIMER lamp (  ) on the unit will light.
  - The unit will generate a beep when it receives the signal.

### TIPS ABOUT TIMER OFF OPERATION

When the TIMER OFF mode is set, the temperature setting is automatically adjusted to prevent the room from becoming excessively hot or too cold while you sleep. (Auto Sleep function)

### COOL/DRY MODE:


- One hour after the time operation begins, the temperature setting rises 1°C higher than the original temperature setting.

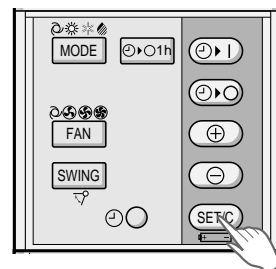
### HEAT MODE:

- One hour after the timer operation begins, the temperature setting drops 3°C lower than the original thermostat setting.

### TO CANCEL TIMER MODE

Press the TIMER CANCEL (SET/C) button.

- The orange TIMER lamp (  ) on the unit will turn off.
- The current clock time will be displayed on the remote control.



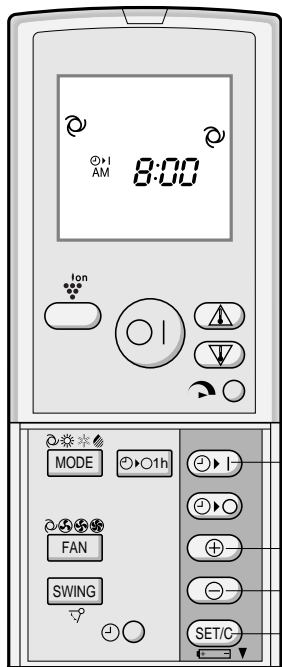
### NOTE:



- If any TIMER ON, TIMER OFF and ONE-HOUR OFF TIMER are set, the TIMER CANCEL button cancels all settings.

### TO CHANGE TIME SETTING

Cancel the TIMER setting first, then set it again.

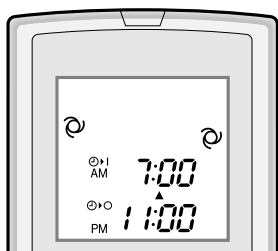
## TIMER ON



- 1 Press the TIMER ON (  ) button.
- 2 The TIMER ON indicator will blink; press the TIME ADVANCE or REVERSE buttons to set the desired time. (The time can be set in 10-minute increments.)
- 3 Point the remote control at the signal receiver window on the unit and press the TIMER SET (SET/C) button.
  - The orange TIMER lamp (  ) on the unit will light.
  - The unit will generate a beep when it receives the signal.
- 4 Select the operation condition.
  - The unit will turn on prior to the set time to allow the room to reach the desired temperature by the programmed time. (Awaking function)

### COMBINED USE OF ON AND OFF TIMERS



You can use the ON and OFF timers in combination.



#### Example:

To stop operation at 11:00 p.m. and resume operation (With the same mode and temperature settings) to turn on the unit by 7:00 a.m.

- 1 Set the TIMER OFF to 11:00 p.m. during operation.
- 2 Set the TIMER ON to 7:00 a.m.

The arrow (  or  ) between the TIMER ON indicator and the TIMER OFF indicator shows which timer will activate first.

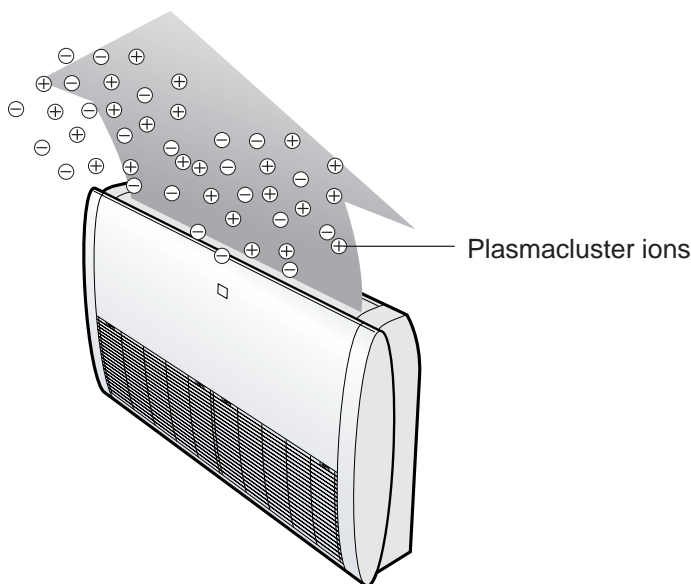
#### NOTES:

- You cannot programme the ON-TIMER and OFF-TIMER to operate the unit at different temperatures or other settings.
- Either timer can be programmed to activate prior the other.

## TIPS ABOUT PLASMACLUSTER OPERATION

The Plasmacluster ion generator inside the air conditioner will release positive and negative Plasmacluster ions into the room.


Approximately the same numbers of positive and negative ions released into the air will reduce some airborne mold.



## PLASMACLUSTER OPERATION



**1** During operation, press the PLASMACLUSTER button.

- The remote control will display "  "
- The blue PLASMACLUSTER lamp on the unit will light up.

### TO CANCEL

Press the PLASMACLUSTER button again.

- The PLASMACLUSTER lamp on the unit will turn off.

### NOTES:

- Use of the PLASMACLUSTER operation will be memorized, and it will be activated the next time you turn on the air conditioner.
- When the PLASMACLUSTER button is pressed while the unit is not operating, the PLASMACLUSTER operation will be performed without accompanying air conditioning mode (eg, HEATING or COOLING). The mode symbol of the remote control will go off and the fan speed can not be set AUTO.




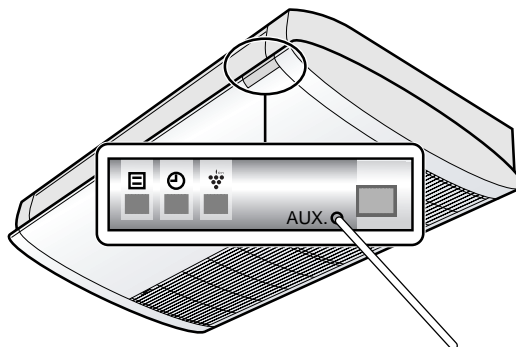
# AUXILIARY MODE

Use this mode when the remote control is not available.

## TO TURN ON


Press the AUX. button using a thin stick on the indicator panel.

- The red OPERATION lamp (  ) on the unit will light and the unit will start operating in the AUTO mode.
- The fan speed and temperature setting are set to AUTO.



## TO TURN OFF

Press the AUX. button again.

- The red OPERATION lamp (  ) on the unit will turn off.

### NOTE:

If the AUX. button is pressed during normal operation, the unit will turn off.

# MAINTENANCE

Be sure to disconnect the power cord from the wall outlet or turn off the circuit breaker before performing any maintenance.

## CLEANING THE UNIT AND THE REMOTE CONTROL

- Wipe them with a soft cloth.
- Do not directly splash or pour water on them. We can cause electrical shock or equipment damage.
- Do not use hot water, thinner, abrasive powders or strong solvents.

### MAINTENANCE AFTER AIR CONDITIONER SEASON

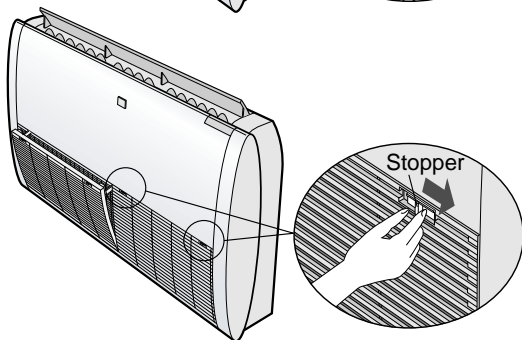
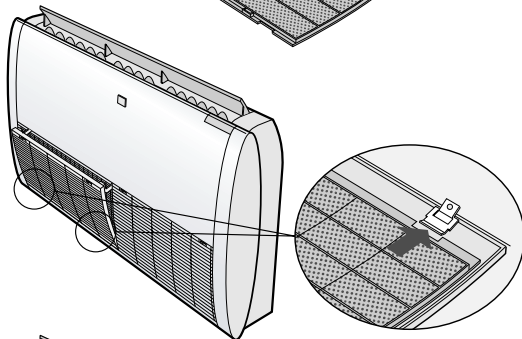
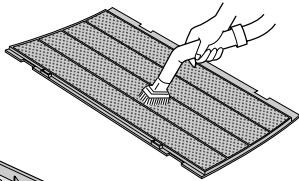
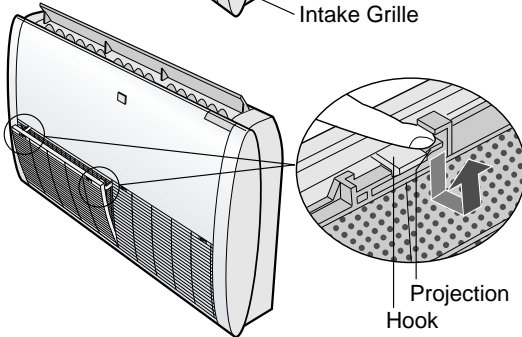
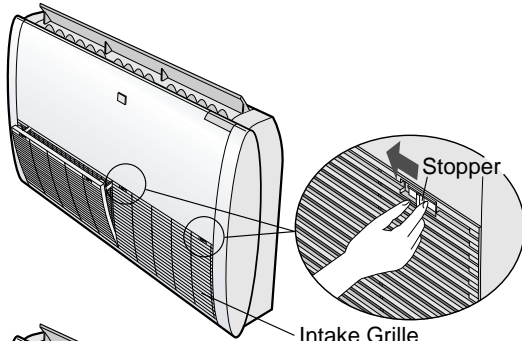
- 1** Operate the unit in the COOL mode, temperature setting 32°C, for about half a day to allow the mechanism to thoroughly dry.
- 2** Stop the operation and unplug the unit. Turn off the circuit breaker, if you have one exclusively for the air conditioner.
- 3** Clean the filters, then reinstall them.

### MAINTENANCE BEFORE AIR CONDITIONER SEASON

- 1** Make sure that the air filters are not dirty.
- 2** Make sure that nothing obstructs the air inlet or outlet.
- 3** Check the outdoor mounting rack periodically for wear and to make sure it is firmly in place.

## CLEANING THE FILTERS

The air filters should be cleaned every two weeks.



### 1 TURN OFF THE UNIT

### 2 OPEN THE INTAKE GRILLE

1 Slide the stoppers to the left ( OPEN ◁ ).

Two stoppers are provided for each the intake grille.

2 Gently pull and open the intake grille.

### 3 REMOVE THE AIR FILTERS

Push both projections on the air filters slightly and unhook the filters.

### 4 CLEAN THE AIR FILTERS

Use a vacuum cleaner to remove dust. If the filters are dirty, wash them with warm water and a mild detergent. Dry filters in the shade before reinstalling.

### 5 REINSTALL THE AIR FILTERS

Face front side down and reinstall the filters in the original positions. Push in the hooks securely.

### 6 CLOSE THE INTAKE GRILLE

Slide the stoppers to the right ( CLOSE ▷ ) and lock the intake grille.

# BEFORE CALLING FOR SERVICE

The following conditions do not denote equipment malfunctions

<p><b>UNIT DOES NOT OPERATE</b></p> <p>The unit will not operate if it is turned on immediately after it is turned off. The unit will not operate immediately after the mode is changed. This is to protect the internal mechanisms. Wait 3 minutes before operating the unit.</p>	<p><b>SWISHING NOISE</b></p> <p>The soft, swishing noise is the sound of the refrigerant flowing inside the unit.</p>
<p><b>UNIT DOES NOT SEND OUT WARM AIR</b></p> <p>The unit is preheating or de-icing.</p>	<p><b>WATER VAPOUR</b></p> <ul style="list-style-type: none"> <li>In the COOL and DRY operation, water vapour can sometimes be seen at the air outlet due to the difference between the room air temperature and the air discharged by the unit.</li> <li>In the HEAT operation, water vapour may flow out of the outdoor unit during de-icing.</li> </ul>
<p><b>ODORS</b></p> <p>Carpet and furniture odors that entered into the unit and the air conditioner's inner component odors at the early stage of installation may be sent out from the unit.</p>	<p><b>THE OUTDOOR UNIT DOES NOT STOP</b></p> <p>After stopping the operation, the outdoor unit will rotate its fan for about a minute to cool down the unit.</p>
<p><b>CRACKING NOISE</b></p> <p>The unit may produce a cracking noise. This sound is generated by the friction of the front panel and other components expanding or connecting due to a temperature change.</p>	<p><b>ODOR EMITTED FROM THE PLASMACLUSTER AIR OUTLET</b></p> <p>This is the smell of ozone generated from the Plasmacluster ion generator. The ozone concentration is very small, posing no adverse effect on your health. The ozone discharged into the air rapidly decomposes, and its density in the room will not increase.</p>
<p><b>A LOW BUZZING NOISE EMITTED</b></p> <p>This is a sound emitted when the unit is generating Plasmacluster ions.</p>	

ENGLISH

If the unit appears to be malfunctioning, check the following points before calling for service.

<b>IF THE UNIT FAILS TO OPERATE</b>
Check to see if the circuit breaker has tripped or the fuse has blown.

<b>IF THE UNIT FAILS TO COOL (OR HEAT) THE ROOM EFFECTIVELY</b>		
Check the filters. If dirty, clean them.	Check the outdoor unit to make sure nothing is blocking the air inlet or outlet.	Check the thermostat is proper setting.
Make sure windows and doors are closed tightly.	A large number of people in the room can prevent the unit from achieving the desired temperature.	Check whether any heat-generating appliances are operating in the room.

<b>IF THE UNIT FAILS TO RECEIVE THE REMOTE CONTROL SIGNAL</b>		
Check whether the remote control batteries have become old and weak.	Try to send the signal again with the remote control pointed properly towards the unit's signal receiver window.	Check whether the remote control batteries are installed with the polarities properly aligned.

Please call for service when OPERATION Lamp and TIMER Lamp on the indicator panel blink.

**SHARP CORPORATION**  
**OSAKA, JAPAN**

Printed in Thailand

TINSEA417JBRZ (TH) 05D- ①

## Free Manuals Download Website

<http://myh66.com>

<http://usermanuals.us>

<http://www.somanuals.com>

<http://www.4manuals.cc>

<http://www.manual-lib.com>

<http://www.404manual.com>

<http://www.luxmanual.com>

<http://aubethermostatmanual.com>

Golf course search by state

<http://golfingnear.com>

Email search by domain

<http://emailbydomain.com>

Auto manuals search

<http://auto.somanuals.com>

TV manuals search

<http://tv.somanuals.com>