

# SHARP® Quick Start Guide


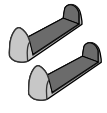
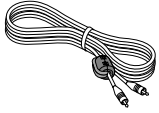

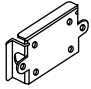
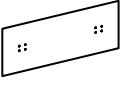
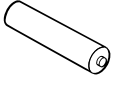
## HT-SB60

SOUND BAR HOME THEATER SYSTEM

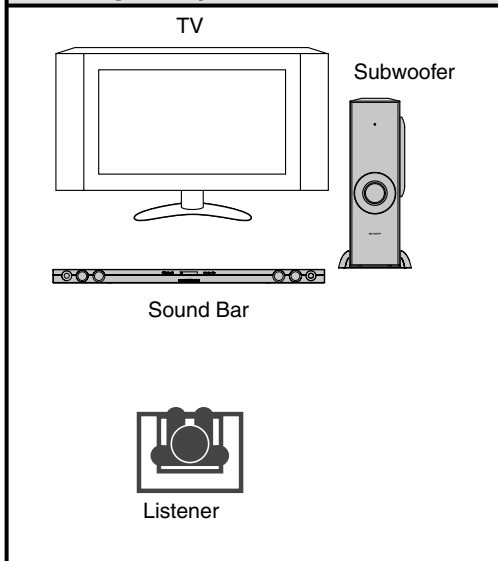
If you require any advice or assistance regarding your Sharp product, please visit our web-site [www.sharp.co.uk/customersupport.aspx](http://www.sharp.co.uk/customersupport.aspx)  
Customers without Internet access may telephone 0845 880 0512 during office hours (or (01) 676 0648 if telephoning from Ireland).

This Quick Start Guide will help you to correctly install and operate your system.

### Accessories

 Remote control	 Subwoofer Stand x 2	 Audio Cable x 1	 HDMI Cable x 1
 Wall Mount Angle x 2	 Pattern Paper	 "AA" size battery (UM/SUM-3, R6, HP-7 or similar) x 1	

### Placing the system



### Turn on your system

The first time the unit is plugged in the unit will enter the demonstration mode. You will see words scroll.

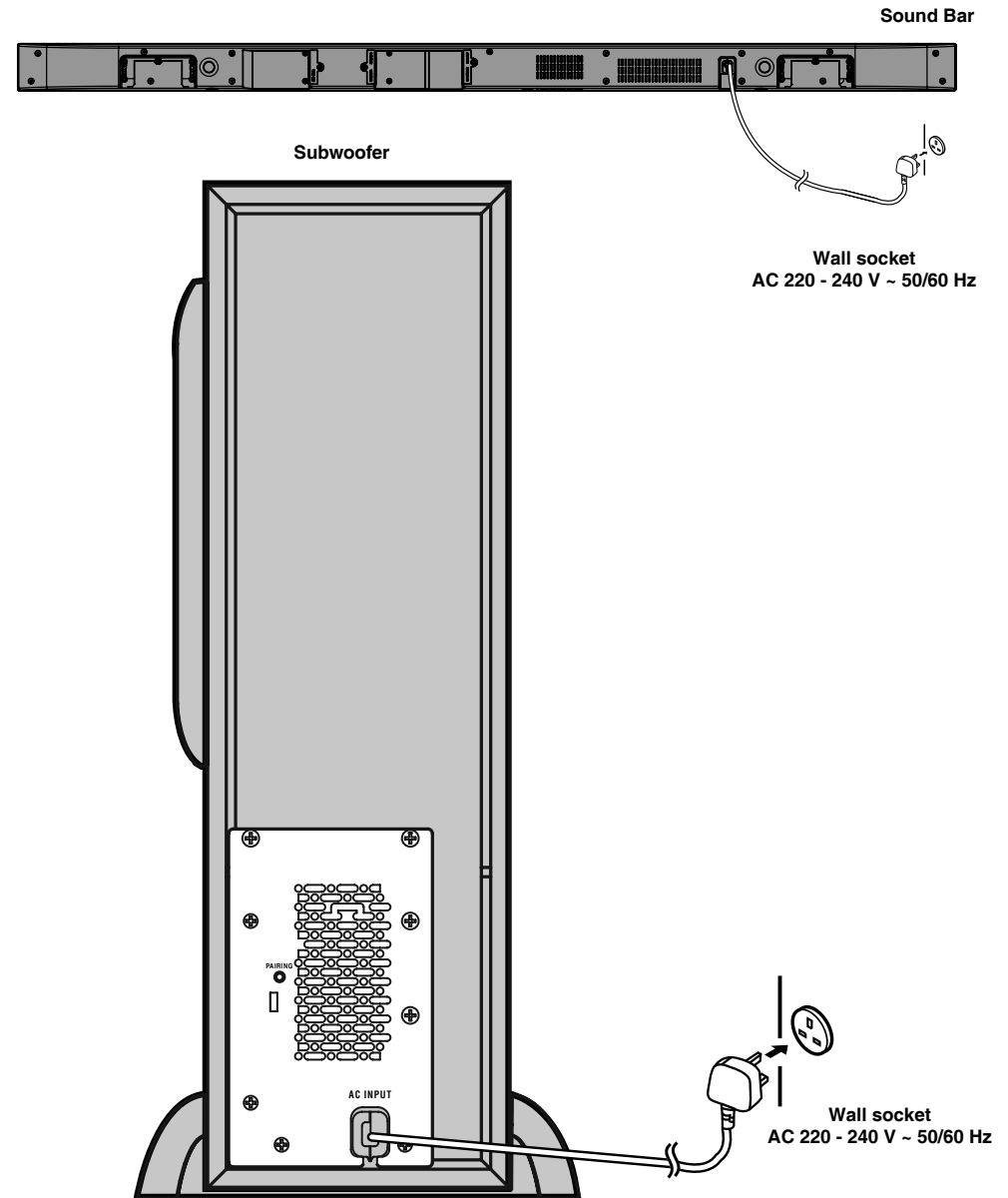
1. Press the ON/STAND-BY button on the sound bar or the remote control to turn the power on.

#### Note:

The system will automatically power on if TV or similar component with supports HDMI CEC is turned on.

### System connections

Make sure to unplug the AC power lead before making any connections.



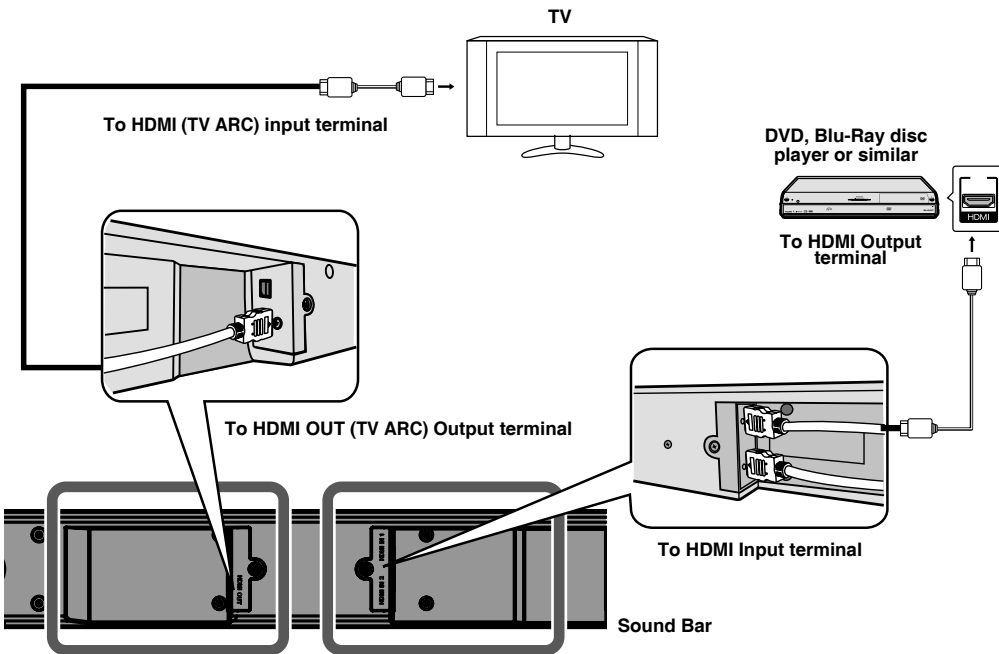
TINSEA422AWZZ

12K R AS ①

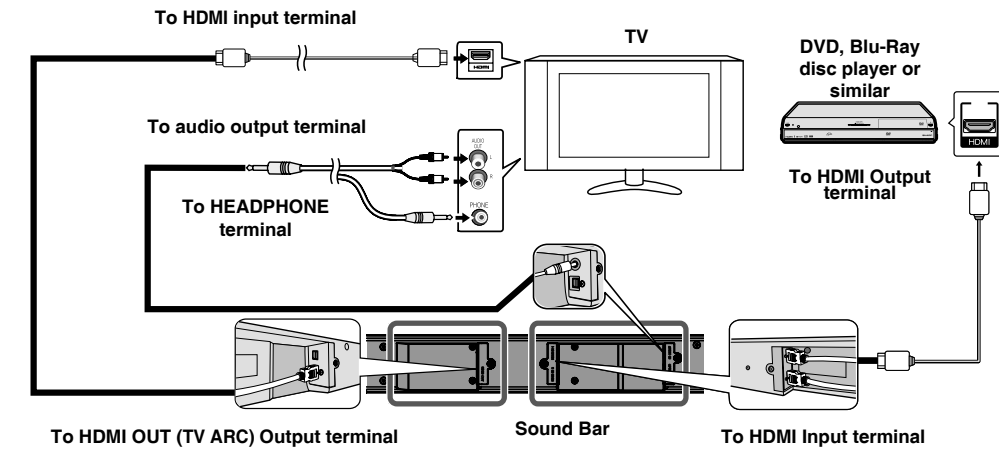
## HDMI Connection

Caution: Turn off all other equipment before making this connection.

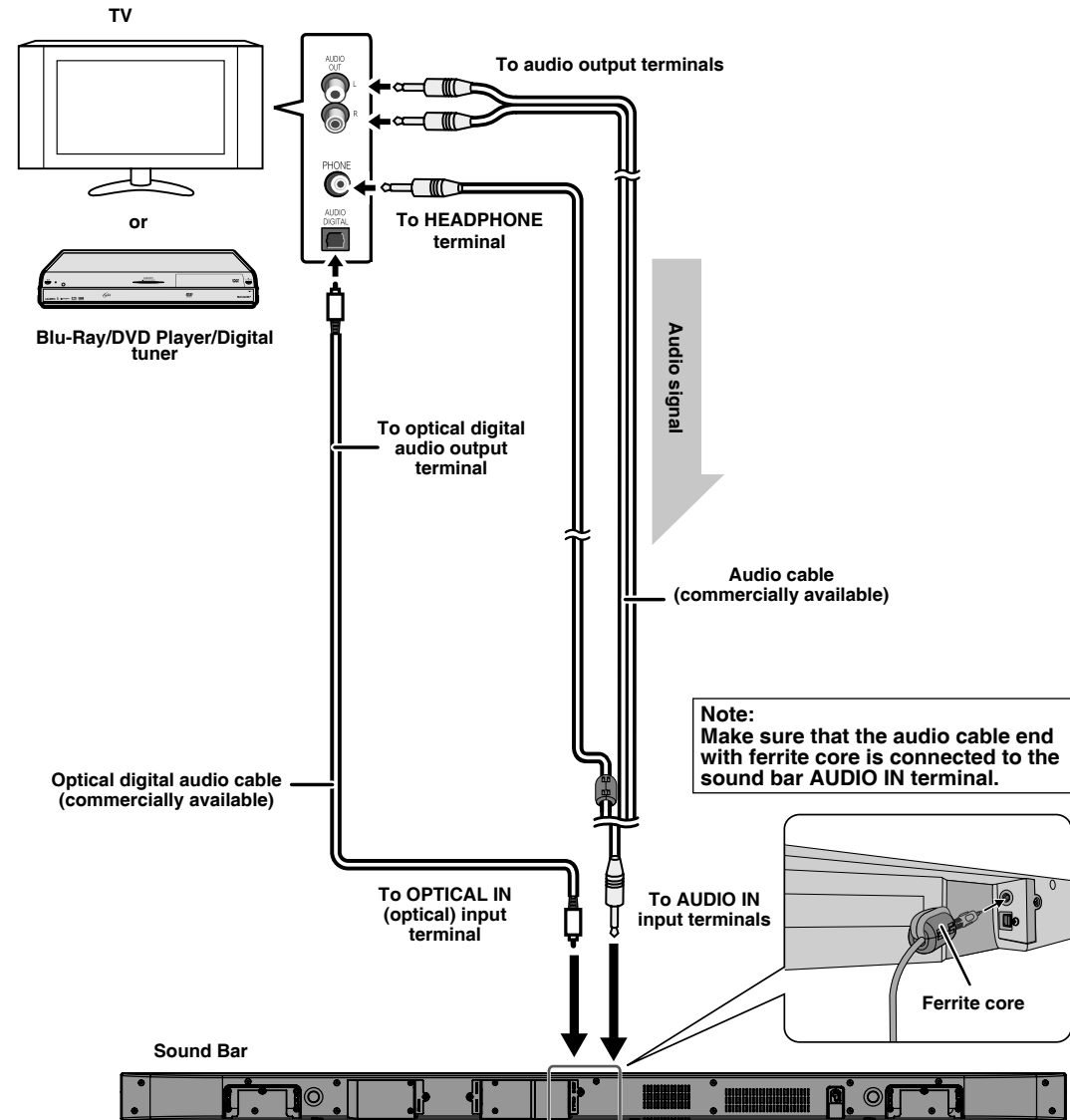
### Connecting a TV with Audio Return Channel



### Connecting a TV without Audio Return Channel



## Others Connection



## Free Manuals Download Website

<http://myh66.com>

<http://usermanuals.us>

<http://www.somanuals.com>

<http://www.4manuals.cc>

<http://www.manual-lib.com>

<http://www.404manual.com>

<http://www.luxmanual.com>

<http://aubethermostatmanual.com>

Golf course search by state

<http://golfingnear.com>

Email search by domain

<http://emailbydomain.com>

Auto manuals search

<http://auto.somanuals.com>

TV manuals search

<http://tv.somanuals.com>