



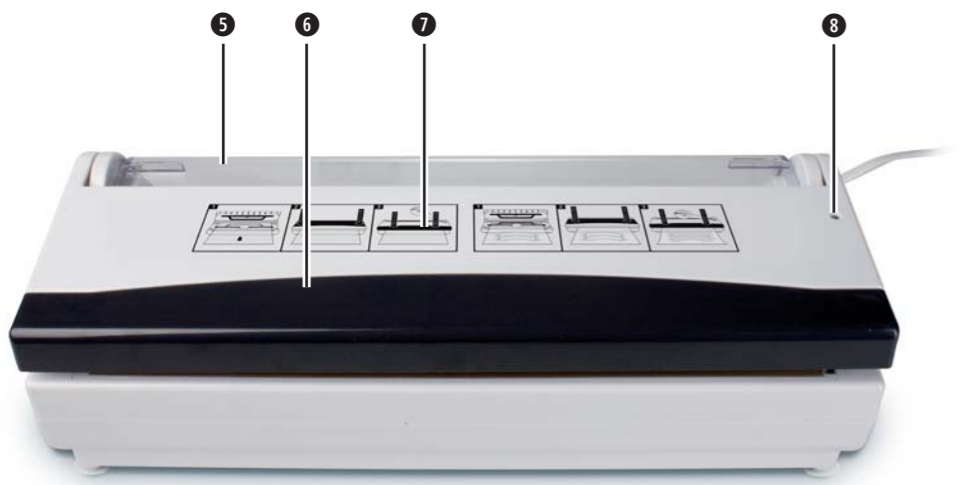
### Vacuum Sealer SFS 150 A2

61



 **Vacuum Sealer**  
 Operating instructions

KOMPERNASS GMBH  
BURGSTRASSE 21 · D-44867 BOCHUM  
www.kompernass.com  
ID-Nr.: SFS150A2-09/10-V2  
IAN: 61777



<b>Content</b>	<b>Page</b>
<b>Intended Use</b>	<b>2</b>
<b>Important safety instructions</b>	<b>2</b>
<b>Items supplied</b>	<b>3</b>
<b>Technical Data</b>	<b>3</b>
<b>Description of the appliance</b>	<b>3</b>
<b>Commissioning</b>	<b>3</b>
Inserting the film.....	3
<b>Utilisation</b>	<b>4</b>
Sealing the film .....	4
Vacuuming films .....	5
Storing the appliance.....	6
<b>Cleaning</b>	<b>6</b>
Cleaning the collector receptacle.....	6
Cleaning the appliance .....	6
<b>Maintenance</b>	<b>6</b>
<b>Disposal</b>	<b>7</b>
<b>Importer</b>	<b>7</b>
<b>Warranty and Service</b>	<b>7</b>

Read these operating instructions carefully before using the appliance for the first time and preserve this manual for later reference. Pass this manual on to whoever might acquire the appliance at a future date.

# Vacuum Sealer

---

## Intended Use

---

This plastic film sealer is intended for the occasional vacuum-packing of food in typical household quantities and only for private household use.

This product is not intended for commercial or industrial applications or for continuous operation.

## Important safety instructions

---

### **To avoid potentially fatal electric shocks:**

- Protect the appliance against moisture. Only use the device in dry rooms, not outdoors. Ensure that fluids can never permeate into the appliance, whether during cleaning or from the leaking of fluids during the sealing process. Also, do not use the appliance if you have wet hands.
- Ensure that the power plug is at all times freely accessible, so that in a case of emergency it can be quickly removed from the power source.
- Ensure that when the appliance is in use the power cable cannot become jammed or damaged in any way. Place it such that no one can trip or stumble over it.
- In order to avoid potentially fatal risks, should the power cable and/or the plug become damaged, arrange for it/them to be replaced by Customer Services before continuing to use the appliance.
- Should the appliance become damaged, immediately remove the power plug. Then arrange for the device to be checked by Customer Services.

- After use or during extended absences, ALWAYS remove the plug from the power socket. Never leave the appliance unsupervised when it is connected to mains power. The appliance is electrically "live" for as long as the plug is inserted into the wall socket.

### **To avoid the risk of fire:**

- Use only the special plastic films that are suitable for a plastic film sealer.
- Allow the appliance to cool down after every sealing process before continuing to use it.
- NEVER position the appliance below inflammable objects, especially not below curtains or drapes.
- Do not use an external timing switch or a separate remote control system to operate this appliance.

### **To avoid the risks of accidents and personal injuries:**

- During operation, both the sealing wire and the cutting wire heat up. NEVER touch them directly after a sealing process.
- This appliance is not intended for use by individuals (including children) with restricted physical, physiological or intellectual abilities or deficiencies in experience and/or knowledge unless they are supervised by a person responsible for their safety or receive from this person instruction in how the appliance is to be used. Children should be supervised to ensure that they do not play with the device.

## Items supplied


---

- 1 Plastic Film Sealer
- 1 Tube film made of PE-HD (Polyethylene of high density)
- Operating Instructions
- DVD with Product Video

⇒ Check to ensure that the appliance is undamaged and that all parts and remnants of the packaging are removed from it.

## Technical Data

---

Mains voltage: 230-240 V ~ 50Hz  
Power consumption: 150 W  
Protection class: II / 

Recommended operating times:  
Vacuuming + Sealing: 20 Seconds  
After vacuuming and sealing allow a break of 80 seconds before continuing to seal further bags.

## Description of the appliance

---

- ① Collector receptacle
- ② Extraction supports
- ③ Cutting wire
- ④ Sealing wire
- ⑤ Film compartment cover
- ⑥ Seal/Cut button
- ⑦ Appliance cover
- ⑧ Control lamp

## Commissioning

---

- ⇒ Place the appliance on a non-slip and stable surface.
- ⇒ Insert the power plug into a wall power socket.

### Inserting the film

- ⇒ Open up the cover to the film compartment ⑤ and insert a roll of tube film.
- ⇒ Fold the appliance cover ⑦ up and pull a piece of tube film through between the appliance lid ⑦ and the appliance.
- ⇒ Close the appliance cover ⑦ and the cover of the film compartment ⑤.

## Utilisation

### Sealing the film

#### **⚠ Attention:**

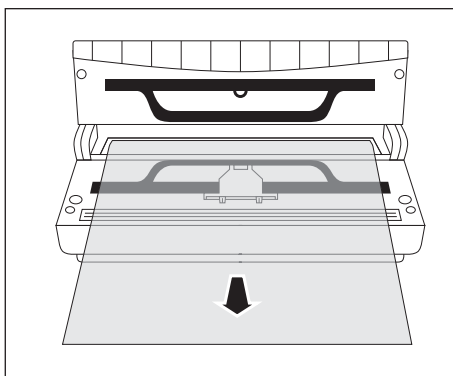
For sealing use only films rated HDPE (High Density PolyEthylene) or LDPE (Low Density PolyEthylene). The film thickness must be 30 - 50  $\mu$  (0.03 - 0.05 mm). Otherwise, the sealing seam will not be tight and the appliance could be damaged. You will recognise films of this type by the information on the packaging.

The quality of the seal joint varies depending on the type and strength of the film.

#### **⚠ Attention:**

Do not heat the supplied film, for example in a water-bath or similar. It is construed for temperatures of a maximum of 60°C.

- ⇒ Fold the appliance cover **7** up.
- ⇒ Pull out as much film as is required for the task at hand.

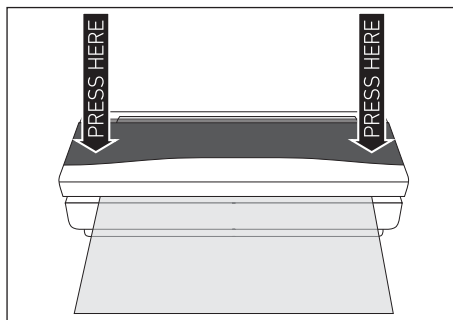


- ⇒ Then close the appliance cover **7**.

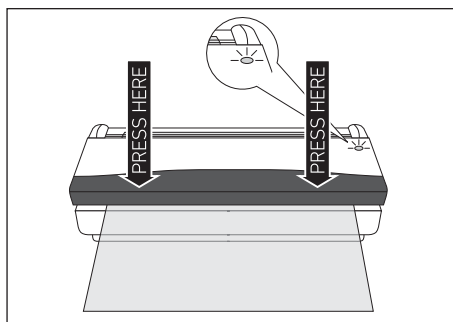
- ⇒ Firmly press the appliance cover **7** down.

#### **ⓘ Note:**

The bag opening must sit smoothly on the sealing wire **4** and on the cutting wire **3**. Otherwise, the sealing and cutting will not function properly.



- ⇒ Press and hold the Seal/Cut button **6** with both hands until the control lamp **8** lights up. Hold the Seal/Cut button **6** pressed down until the control lamp down **8** goes out.



#### **ⓘ Note:**

To achieve the best results, press the Seal/Cut button **6** down continuously, applying an even pressure and using both hands.

### **⚠ Warning:**

If the control lamp ⑧ does not go out after 10 seconds at the latest, the appliance is defective! Immediately remove the plug from the wall socket. Do not attempt to repair the appliance yourself. In this case, contact Customer Services.

- ⇒ Open the appliance cover ⑦ again and remove the film. This is sealed at one end and, at the same time, separated from the roll of tube film. Seal the remaining open sides, except for one, in the same manner.
- ⇒ Fill the bag. You must leave at least 6 cm of the bag free, measured up to the edge that is to be sealed.

### **⚠ Warning:**

Fill the bags in such a way that, under no circumstances, food remnants or fluids can run out of the bag when sealing it and permeate into the appliance.

- ⇒ If you do not want to extract the air from the bag, you should now seal the last open side.

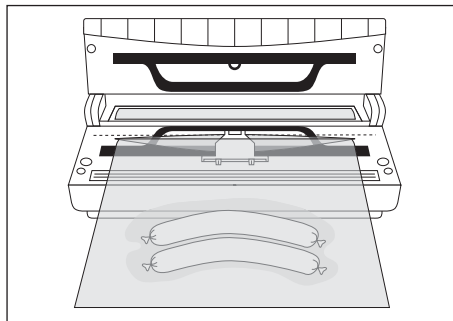
## **Vacuating films**

When sealing, you can at the same time extract the air from the bag (vacuating):

### **⚠ Warning:**

Do NOT vacuum bags in which there are liquids. They will permeate into the appliance and damage it.

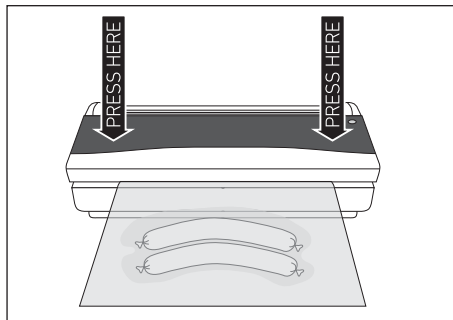
- ⇒ Place the open end of the bag around the extraction supports ②. For this you can lift them lightly. Thereby, the bag must project to the markings in the appliance.



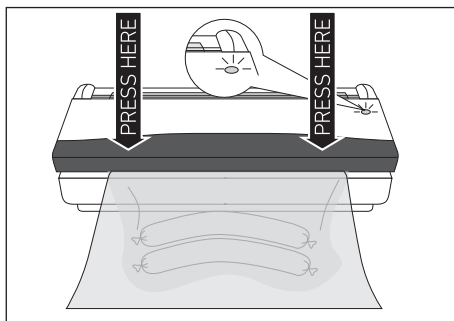
### **ⓘ Note:**

The bag opening must sit smoothly on the extraction supports ②, the sealing wire ④ and the cutting wire ③. Otherwise, the vacuuming, sealing and cutting will not function properly.

- ⇒ Close the appliance cover ⑦ and firmly press it down on both sides. Be sure **not** to press on the Seal/Cut button ⑥. Air is now sucked from the bag.



- ⇒ As soon as the air has been sucked from the bag, press and hold the Seal/Cut button ⑥ with both hands, as already described, and seal the bag.



## Storing the appliance

- ⇒ Do not wrap the power cable around the appliance, use the guides provided on the bottom of the appliance.
- ⇒ Store the appliance where it will be dry and free from dust and particles, so that nothing can lodge in the suction device.

## Cleaning

### ⚠ Attention!

First remove the power plug from the wall socket and allow the appliance to cool down completely before cleaning it or placing it into storage. NEVER submerge the appliance in fluids of any kind. Do not permit liquids to permeate into the appliance. If you do, you risk receiving a potentially fatal electric shock.

## Cleaning the collector receptacle

Should food remnants unintentionally be sucked in when vacuuming, the collector receptacle ① protects the appliance from damages. Clean the collector receptacle ① as soon as soiling is visible:

- ⇒ Open the appliance cover ⑦.

- ⇒ Fold up the extraction supports ②.
- ⇒ Carefully pull the collector receptacle ① out of the appliance using the lateral grips.
- ⇒ Clean it in a lukewarm washing-up solution and allow it then collector receptacle ① to dry well.
- ⇒ Replace the collector receptacle ① and fold the extraction supports ② down.

## Cleaning the appliance

- ⇒ Clean the appliance only with a dry or lightly moistened cloth. Do not use abrasives or detergents, these could damage the plastic surfaces.
- ⇒ Do not remove stubborn glue remnants from the sealing wire ④ with hard or sharp objects, at the very most carefully use a fingernail. Otherwise, the sealing wire ④, the cutting wire ③ or the insulation underneath could be damaged.

## Maintenance

### ⚠ Warning:

NEVER open the housing! There is potentially fatal high voltage in the appliance. Arrange for the appliance to be repaired by specialists only.

The appliance is maintenance-free. No form of maintenance, either on or in the appliance, is intended for execution by the user. In the event of malfunction or apparent damage, make contact with Customer Services.



## Disposal

---



**Do not dispose of the appliance with your normal domestic waste. This product is subject to the provisions of European Directive 2002/96/EC.**

Dispose of the appliance through an approved waste disposal centre or at your community waste facility.

Observe the currently applicable regulations.

In case of doubt, please contact your waste disposal centre.



Dispose of all packaging materials in an environmentally friendly manner.

## Importer

---

KOMPERNASS GMBH  
BURGSTRASSE 21  
44867 BOCHUM, GERMANY

[www.kompernass.com](http://www.kompernass.com)

## Warranty and Service

---

The warranty for this appliance is for 3 years from the date of purchase. The appliance has been manufactured with care and meticulously examined before delivery. Please retain your receipt as proof of purchase. In the event of a warranty claim, please make contact by telephone with our Service Department. Only in this way can a post-free despatch for your goods be assured.

The warranty covers only claims for material and manufacturing defects, but not for transport damage, for wearing parts or for damage to fragile components, e.g. buttons or batteries. This product is for private use only and is not intended for commercial use. The warranty is void in the case of abusive and improper handling, use of force and internal tampering not carried out by our authorized service branch. Your statutory rights are not restricted in any way by this warranty.

The warranty period will not be extended by repairs made under warranty. This applies also to replaced and repaired parts. Any damage and defects extant on purchase must be reported immediately after unpacking the appliance, at the latest, two days after the purchase date. Repairs made after the expiration of the warranty period are subject to payment.

### **DES UK LTD**

Tel.: 0871 5000 700 (£ 0.10 / minute)

e-mail: [support.uk@kompernass.com](mailto:support.uk@kompernass.com)

### **Kompernass Service Ireland**

Tel: 1850 930 412 (0,082 EUR/Min.)

Standard call rates apply. Mobile operators may vary.

e-mail: [support.ie@kompernass.com](mailto:support.ie@kompernass.com)






CB

www.kompernass.com

# Order card SFS 150 A2

<b>Quantity ordered</b> (max. 3 sets per order)	<b>Name of article</b>  <p>Triple-pack of tube foil  (each roll 10 m long)  for Plastic Film Sealer SFS 150 A2</p>	<b>Cost p. Unit</b> <p style="text-align: center;"><b>£ 5,50</b></p>	<b>Total sum</b> <p style="text-align: center;"><b>£</b></p>
--	---	---	---

## Payment method

 Bank Transfer

**£**

Add. £ 7 p&amp;p.

(Location, Date)

(Signature)

# Order Card - How to order:

1. Enter under "Sender/orderer" your name, address and telephone number  
(for possible queries) in block capitals.
2. Please tick your preferred payment method on the order card. You have got three options:

**Bank Transfer (BACS):** Please transfer the complete amount to our account below:

**Natwest Bank Plc**  
**Hammersmith Branch**  
**Sort Code: 60-50-06**  
**Account No: 37758829**  
**Account Name: Domestic Electrical Solutions UK Limited**

On your transfer, please provide the article(s) you ordered as well as your complete name and address. Then post your completed order card to our postal address below.

Our postal address:  
**DES UK LTD**  
**Unit B7**  
**Oxford Street Industrial Park**  
**Vulcan Road**  
**Bilston/ West Midlands**  
**WV14 7LF**

**Important:**

- Please affix sufficient postage to the letter.
- Write your name as the sender on the envelope.

## Sender / Orderer

(please complete in block capitals)

(Surname, first name)


(Street)

(Post code, town)

(Telephone)



# Order card SFS 150 A2

<b>Quantity ordered</b> (max. 3 sets per order)	<b>Name of article</b>  <p>Triple-pack of tube foil  (each roll 10 m long)  for Plastic Film Sealer SFS 150 A2</p>	<b>Cost p. Unit</b> <p>5,95 €</p>	<b>Total sum</b> <p>€</p>
--	---	--------------------------------------	------------------------------

## Payment method

 Cheque payment

€

Add. 12,50 € p&p.

(Location, Date)

(Signature)

# Order Card - How to order:

1. Enter under "Sender/orderer" your name, address and telephone number (for possible queries) in block capitals.

**A: By cheque:** Please place a cheque made payable to

**Irish Connection**  
together with your completed order card into an envelope and post to our postal address below.

Our postal address:

**Kompernass Service Ireland**  
**c/o Irish Connection**  
**41 Harbour view**  
**Howth Co. Dublin**

**Important:**

- Please affix sufficient postage to the letter.
- Write your name as the sender on the envelope.

**Sender / Orderer**

(please complete in block capitals)

(Surname, first name)

(Street)

(Post code, town)

(Telephone)

## Free Manuals Download Website

<http://myh66.com>

<http://usermanuals.us>

<http://www.somanuals.com>

<http://www.4manuals.cc>

<http://www.manual-lib.com>

<http://www.404manual.com>

<http://www.luxmanual.com>

<http://aubethermostatmanual.com>

Golf course search by state

<http://golfingnear.com>

Email search by domain

<http://emailbydomain.com>

Auto manuals search

<http://auto.somanuals.com>

TV manuals search

<http://tv.somanuals.com>