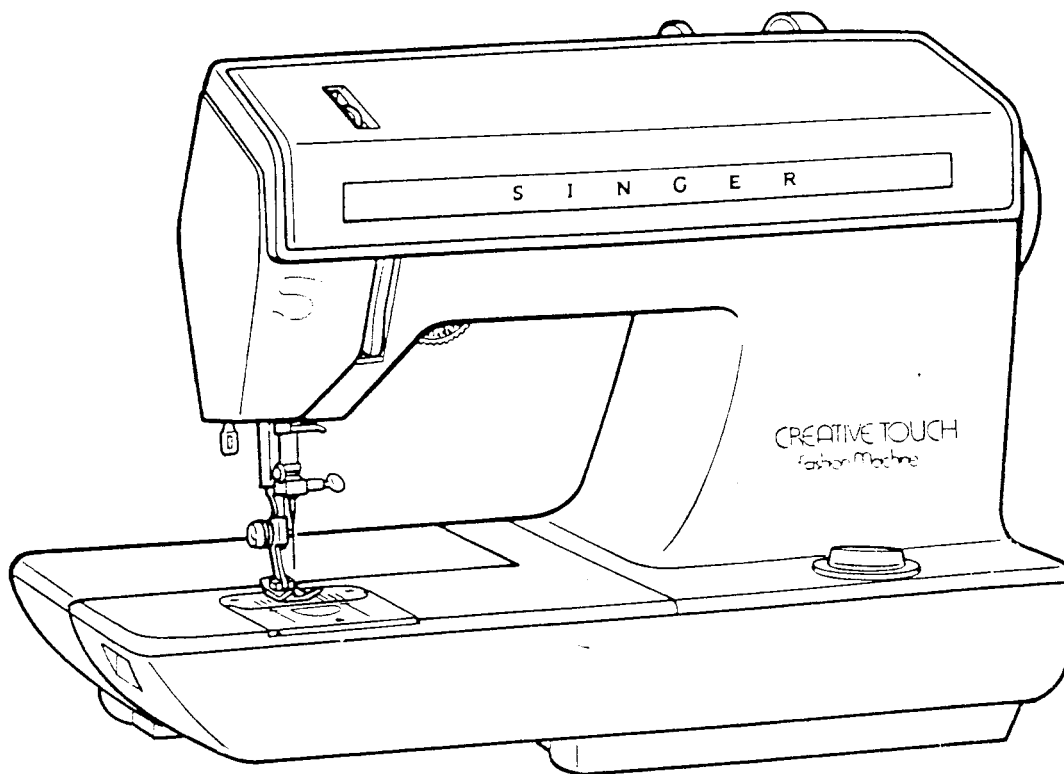


# **SINGER**

## **1030,1036E**

# LIST OF PARTS FOR 1030/1036E MACHINES



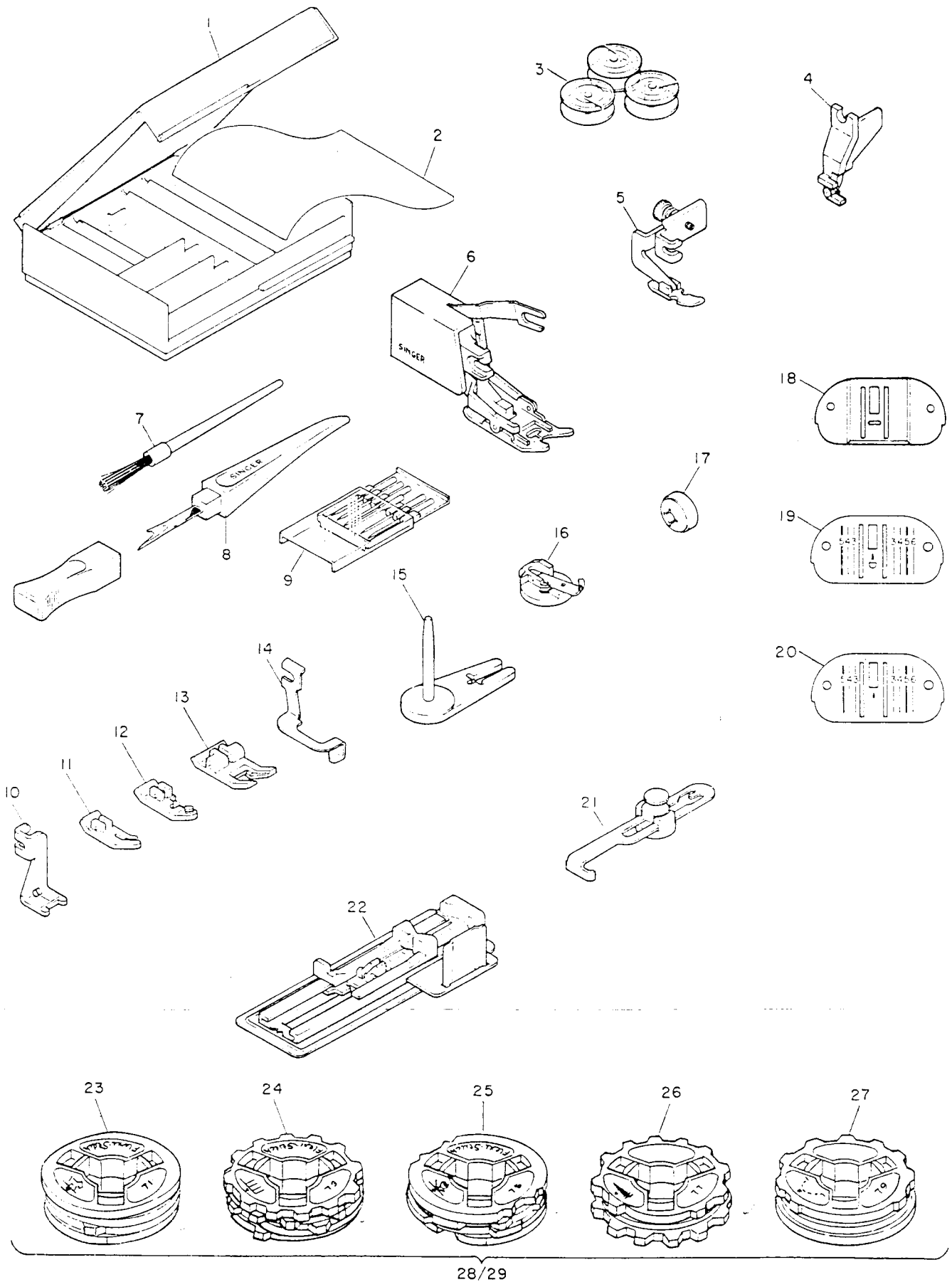
THE SINGER COMPANY  
COPYRIGHT © 1979 THE SINGER COMPANY  
ALL RIGHTS RESERVED THROUGHOUT THE WORLD



Form 730-1030/1036E (979)

Printed in U.S.A.

ATTACHMENT SET — 158



PAGE NO.	SUBASSEMBLY	SUBASSEMBLY CODE
4 & 5	ATTACHMENT SET	158
6 & 7	COVERS	281
8 TO 11	HEAD END	211
12 & 13	TENSION MODULE	142
14 & 15	NEEDLE BAR DRIVE AND HAND WHEEL	132
16 & 17	DISC SELECTOR MECHANISM	190
18 TO 21	DISC STACK AND FOLLOWERS	102
22 TO 25	FEED CONTROL MECHANISM	111
26 TO 29	BIGHT AMPLITUDE	122
30 & 31	ROTATING HOOK AREA	010
32 & 33	ROTATING HOOK DRIVE AND FEED DRIVE MECHANISM	030
34 & 35	ALPHA FEED	00M
36 TO 39	ELECTRICAL EQUIPMENT	—

NOTE: SUBASSEMBLY CODE IS USED FOR COMPUTER INDEX ONLY AND SHOULD NOT BE USED FOR PARTS ORDERING.

ATTACHMENT SET — 158

-ATTACHMENT SET - 158

REF.	PART NO.	DESCRIPTION	1 0 3 0 E	1 0 3 6 E 3 E 3
01	171434-451	ATTACHMENT BOX COMPL. (DELUXE).	X	X
02	381039	ATTACHMENT BOX INSERT (FCAM, PLASTIC).	X	X
03	181551	BOBBIN (PLASTIC).	X	X
04	503277	NEEDLE THREADER COMPLETE.	X	X
05	381429	PRESSER FOOT (SOLID, ADJUSTABLE FOR SEWING EITHER ON RIGHT OR LEFT SIDE OF FCCT) FOR COORDING & SLIDE FASTENERS COMPL..	X	X
06	506415-452	EVEN FEED FOOT COMPL..	X	
07	501750	LINT BRUSH.	X	X
08	642616-001	SEAM RIPPER.	X	
09	381275	NEEDLE PACKAGE (PLASTIC).	X	X
10	381066	PRESSER FOOT FOR BUTTON SEWING (6 MM).	X	X
11	502277	PRESSER FOOT <del>PLATE</del> (SNAP-ON) FOR STRAIGHT SEWING (502277-900 PLATED).	X	X
12	171460	PRESSER FOOT <del>PLATE</del> (SNAP-ON, SLOTTED) FOR SLANT OVEREDGE & OVEREDGE STRETCH STITCH (6 MM).	X	
13	171463	SPECIAL PURPOSE PRESSER FOOT PLATE (SNAP-ON).	X	X
14	171110	BLINDSTITCH HEM GLIDE.	X	X
15	381114-451	SPOOL PIN FOR TWIN NEEDLE SEWING (PLASTIC).	X	X
16	171438-451	CHAIN STITCH ATTACHMENT LOOP RETAINER INSERT COMPL..	X	
17	507664-454	ARM SPOOL PIN THREAD LEAD-CPA (SMALL, PLASTIC).	X	X
18	383655	FEED COVER PLATE, FOR DARNING & EMBROIDERY (PLASTIC).	X	X
19	381244	CHAIN STITCH ATTACHMENT THROAT PLATE & STRAIGHT SEWING (181641-900 MACHINED).	X	
20	381245	THROAT PLATE FOR STRAIGHT SEWING.	X	X
21	161172	SEAM & BLINDSTITCH HEM GLIDE COMPL..	X	
22	381331-451	BUTTONHOLE PRESSER FOOT (1-STEP) COMPL. (1 3/8 INCH).	X	X
23	381001-451	DISC (REVERSIBLE, QUADRUPLE) FOR SCOTTIE DOG & SURF STITCH.	X	
24	381002-451	DISC (REVERSIBLE, QUADRUPLE) FOR PARIS POINT & RIC RAC STITCH.	X	
25	381003-451	DISC (REVERSIBLE, QUADRUPLE) FOR SLANT OVEREDGE & TULIP STITCH.	X	
26	381006-451	DISC (DOUBLE, REVERSIBLE) FOR ARROWHEAD & BEAD STITCH.	X	
27	381009-451	DISC (DOUBLE, REVERSIBLE) FOR SCALLOP & ZIGZAG POINT STITCH.	X	
28	381420	ATTACHMENT SET COMPL., PACKED IN ATTACHMENT BOX NO. 171434-500.	X	
29	381424	ATTACHMENT SET COMPL., PACKED IN ATTACHMENT BOX NO. 171434-500.		X

*313093-452*

COVERS — 281

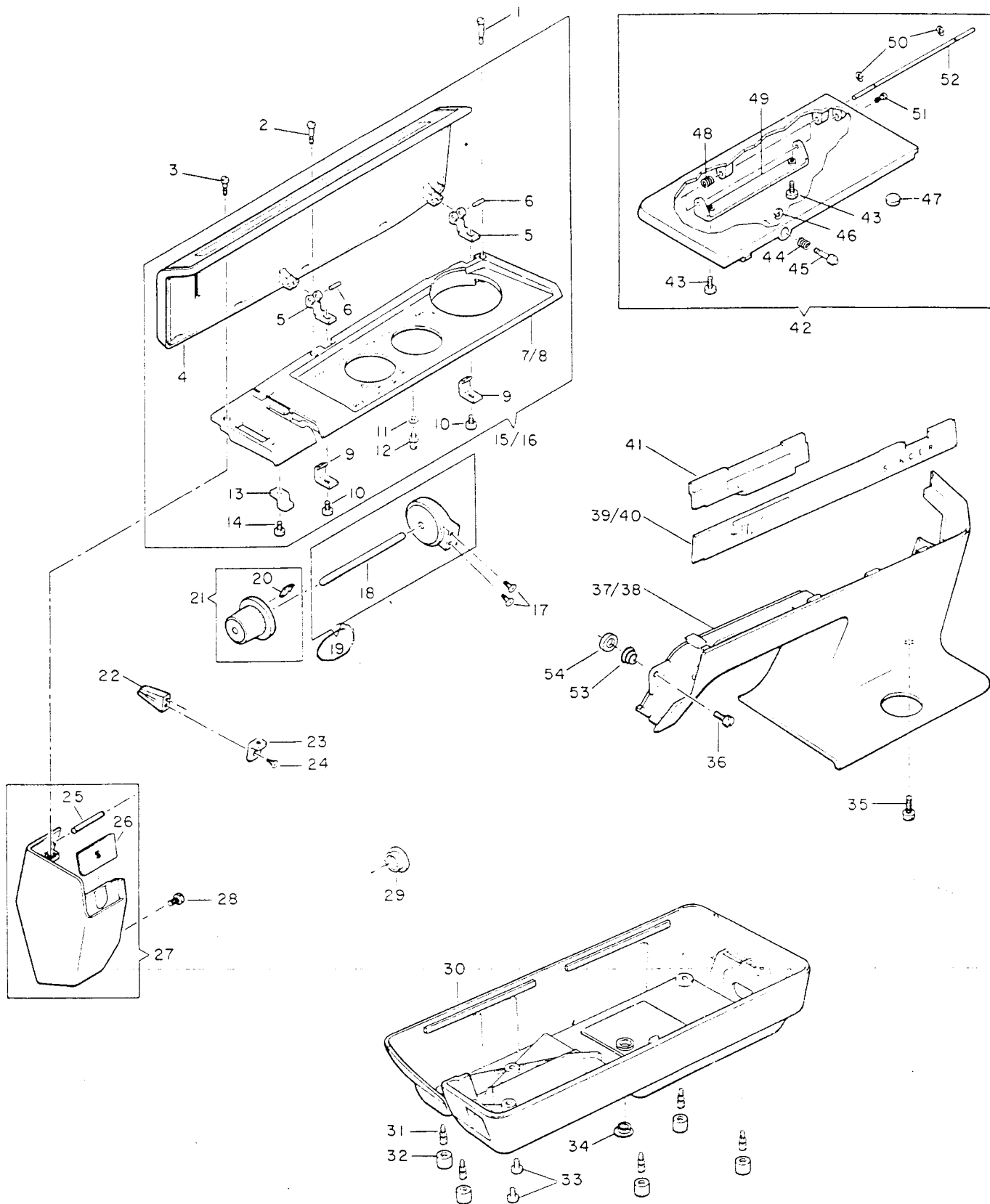
-COVERS - 281

REF.	PART NO.	DESCRIPTION	1	1
			0	0
			3	3
			0	6
			E 3	E 3
01	354156-455	ARM TOP COVER SCREW (RIGHT).	X	X
02	354563-451	ARM TOP COVER SCREW (CENTER) (354563-452 PLATED).	X	X
03	354264-452	ARM TOP COVER & FACE PLATE SCREW.	X	X
04	181630-900	ARM TOP COVER LID (PLASTIC).	X	X
05	182241	ARM TOP COVER & CTRL PANEL HINGE.	X	X
06	382839	ARM TOP COVER LID HINGE PIN.	X	X
07	383655-902	ARM TOP COVER & CTRL PANEL.	X	
08	383657-902	ARM TOP COVER & CTRL PANEL.	X	
09	181640	ARM TOP COVER LID SPRING.	X	X
10	354198-451	ARM TOP COVER & CTRL PANEL HINGE SCREW.	X	X
11	381906	ARM TOP COVER & CTRL PANEL SPLIT PIN LOCK WASHER.	X	X
12	381864	ARM TOP COVER & CTRL PANEL SPLIT PIN.	X	X
13	381839	ARM TOP COVER & CTRL PANEL SUPPORT BRACKET.	X	X
14	354198-451	ARM TOP COVER & CTRL PANEL SUPPORT BRACKET SCREW.	X	X
15	383630-451	ARM TOP COVER.	X	
16	383631-451	ARM TOP COVER.	X	
17	354451-451	ARM SPOOL PIN HOLDER SCREW.	X	X
18	181609-900	ARM SPOOL PIN (PLASTIC).	X	X
19	382485-451	ARM SPOOL PIN COMPL..	X	X
20	163150	ARM SPOOL PIN THREAD LEAD-OFF SPRING CLIP.	X	X
21	163149-004	ARM SPOOL PIN THREAD LEAD-OFF COMPL..	X	X
22	182230-451	THREAD GUIDE (OUTSIDE, BACK OF ARM) (PLASTIC)	X	X
23	381865	ARM TOP COVER & CTRL PANEL SUPPORT BRACKET (REAR).	X	X
24	354100-451	THREAD GUIDE (OUTSIDE, BACK OF ARM) SCREW.	X	X
25	181738	FACE PLATE POSITIONING PIN.	X	X
26	182085-451	FACE PLATE MEDALLION PLATE.	X	X
27	383635-451	FACE PLATE.	X	X
28	354563-451	FACE PLATE FASTENING SCREW.	X	X
29	383529-451	ARM ACCESS HOLE PLUG.	X	X
30	383119-001	BED (CONVERTIBLE) COVER.	X	X
31	354222-451	BED (CONVERTIBLE) COVER CUSHION SCREW.	X	X
32	381859	BED (CONVERTIBLE) COVER CUSHION (RUBBER).	X	X
33	141860-814	BED (CONVERTIBLE) COVER FASTENING SCREW.	X	X
34	383529-451	BED (CONVERTIBLE) COVER ACCESS HOLE PLUG	X	X

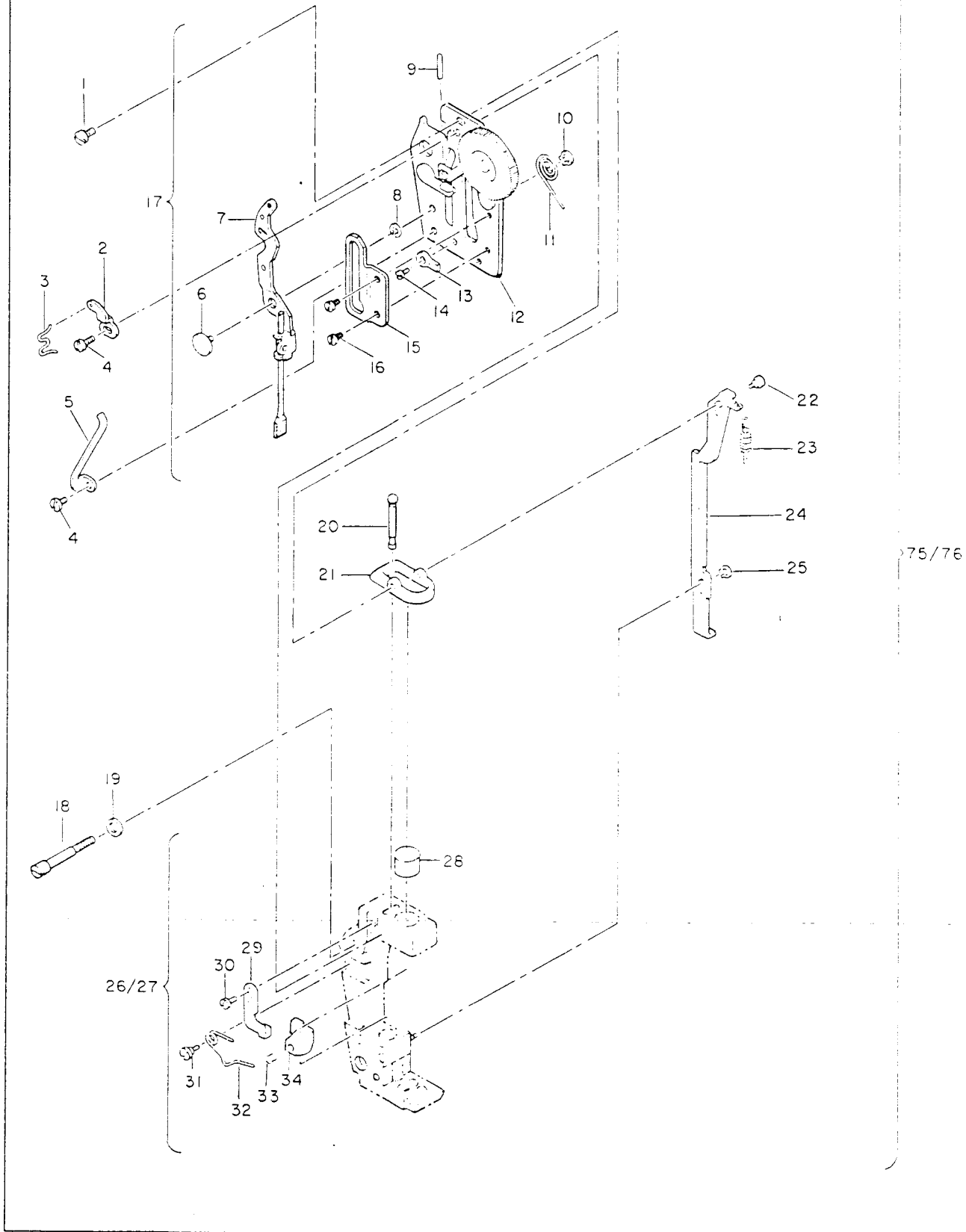
-COVERS - 281

REF.	PART NO.	DESCRIPTION	1	1
			0	0
			3	3
			0	6
			E 3	E 3
35	354020-451	ARM FRONT COVER SCREW.	X	X
36	354740-451	ARM FRONT COVER SCREW.	X	X
37	383551-005	ARM FRONT COVER.		X
38	383551-006	ARM FRONT COVER.	X	
39	382451-001	STITCH PATTERN INDEX PANEL.	X	
40	383628-451	STITCH PATTERN INDEX PANEL.		X
41	181745-900	STITCH PATTERN INDEX PANEL BACKING PLATE (PLASTIC).	X	X
42	382739-451	BED (CONVERTIBLE) LID.	X	X
43	141860-814	BED (CONVERTIBLE) LID HINGE BRACKET SCREW.	X	X
44	381877	BED (CONVERTIBLE) LID LATCH SPRING.	X	X
45	381874-451	BED (CONVERTIBLE) LID LATCH.	X	X
46	182195	BED (CONVERTIBLE) LID LATCH RETAINING RING.	X	X
47	619491-001	BED (CONVERTIBLE) LID PAD.	X	X
48	381876	BED LID HINGE SPRING.	X	X
49	382740	BED LID HINGE BRACKET.	X	X
50	507563	BED LID HINGE RETAINING RING.	X	X
51	381878	BED LID POSITIONING BUTTON (PLASTIC).	X	X
52	382741	BED LID HINGE PIN.	X	X
53	383087	ARM FRONT COVER SPRING.	X	X
54	383194	ARM FRONT COVER MOUNTING COVER.	X	X

For  
→ 1036 383895452 Btm Cover



HEAD END — 211





## HEAD END — 211

-HEAD FNC - 211

REF.	PART NO.	DESCRIPTION	1	1
			0	0
			3	3
			6	6
			E 3	E 3
01	141824-814	NEEDLE BAR HIGH LIFT RELEASING BRACKET ADJUSTING BRACKET SCREW.	X	X
02	382409	BUTTONHOLER KICK-CUT SHAFT SPRING BRACKET.	X	X
03	382408	BUTTONHOLER KICK-CUT SHAFT SPRING.	X	X
04	354195-451	PRESSER BAR PRESSURE REGULATING DIAL MOUNTING PLATE SCREW.	X	X
05	381625	BUTTONHOLER KICK-CUT SHAFT TRIPPING ROD LEVER POSITIONING SPRING.	X	X
06	381738	BUTTONHOLER KICK-CUT SHAFT TRIPPING ROD LEVER HINGE STUD.	X	X
07	382830	BUTTONHOLER KICK-CUT SHAFT TRIPPING ROD (RETRACTABLE) LEVER.	X	X
08	14494	TRIPPING ROD LEVER HINGE STUD RETAINING RING.	X	X
09	354046-451	PRESSER BAR PRESSURE REGULATING LEVER SET SCREW.	X	X
10	162150	PRESSER BAR SPRING RETAINING RING.	X	X
11	181687	PRESSER BAR SPRING.	X	X
12	382849	PRESSER BAR PRESSURE REGULATING DIAL MOUNTING PLATE.	X	X
13	382393	BUTTONHOLER KICK-CUT SHAFT TRIPPING ROD LEVER ADJUSTING ECCENTRIC.	X	X
14	354219-451	TRIPPING ROD LEVER ADJUSTING ECCENTRIC SCREW.	X	X
15	382647	NEEDLE BAR CLAMPING & GUIDE SCREW ALIGNMENT PLATE.	X	X
16	141862-814	NEEDLE BAR CLAMPING & GUIDE SCREW ALIGNMENT PLATE SCREW.	X	X
17	382846	PRESSER BAR PRESSURE REGULATING DIAL MOUNTING PLATE.	X	X
18	354025-451	NEEDLE BAR VIBRATING BRACKET FRAME POSITIONING & HINGE SCREW.	X	X
19	181863-451	NEEDLE BAR VIBRATING BRACKET HINGE SCREW WASHER (UPPER).	X	X
20	382758	NEEDLE BAR VIBRATING BRACKET BALL STUD.	X	X
21	381595	NEEDLE BAR HIGH LIFT RELEASING BRACKET ADJUSTING BRACKET.	X	X
22	354123-451	NEEDLE BAR HIGH LIFT RELEASING BRACKET SCREW.	X	X
23	381566	NEEDLE BAR LIFTING SPRING.	X	X
24	381594	NEEDLE BAR HIGH LIFT RELEASING BRACKET.	X	X
25	14494	NEEDLE BAR HIGH LIFT RELEASING BRACKET STUD RETAINING RING.	X	X
26	382813	NEEDLE BAR VIBRATING BRACKET FRAME.	X	
27	383740	NEEDLE BAR VIBRATING BRACKET FRAME.		X
28	382374	NEEDLE BAR VIBRATING BRACKET BUSHING.	X	X
29	381587	NEEDLE BAR RECOIL SPRING BRACKET.	X	X
30	354121-451	NEEDLE BAR RECOIL SPRING BRACKET SCREW.	X	X
31	354119-451	NEEDLE BAR RECOIL SPRING SCREW.	X	X
32	182237	NEEDLE BAR RECOIL SPRING.	X	X
33	354687-451	PRESSER BAR GUIDE BRACKET SET SCREW.	X	X
34	383115	PRESSER BAR GUIDE BRACKET.	X	X

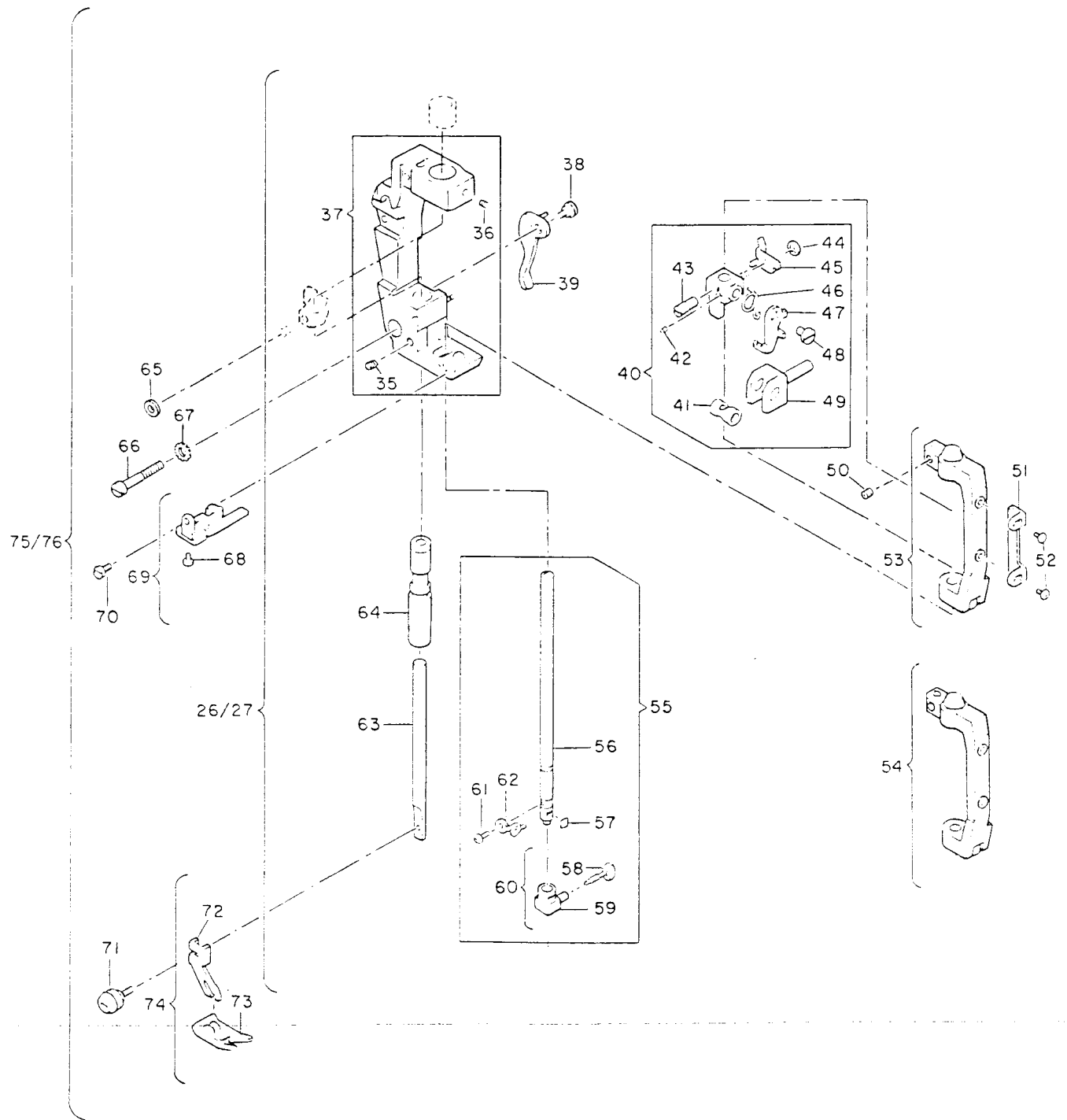
# HEAD END — 211

-FLAC PNC - 211

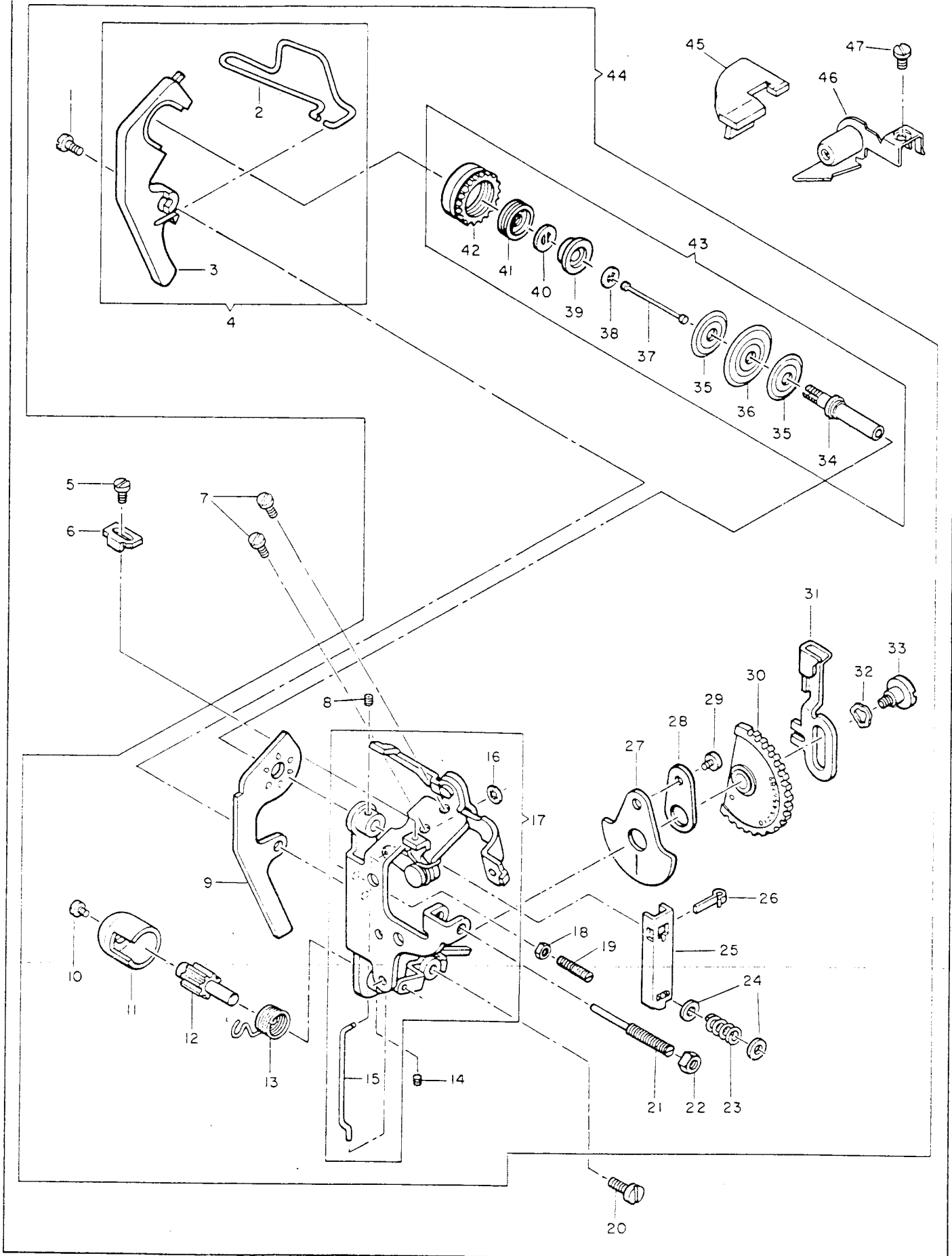
1 1  
C C  
3 3  
0 6  
E 3 E 3

REF.	PART NO.	DESCRIPTION	E	3	E	3
35	354186-451	PRESSER BAR BUSHING SET SCREW.	X		X	
36	141891-635	NEEDLE BAR VIBRATING BRACKET SET SCREW.	X		X	
37	181668	NEEDLE BAR VIBRATING BRACKET FRAME.	X		X	
38	354010-451	PRESSER BAR LIFTER HINGE SCREW.	X		X	
39	381947	PRESSER BAR LIFTER.	X		X	
40	382864	NEEDLE BAR LATCH CARRIER COMPL..	X		X	
41	172043	NEEDLE BAR CONNECTING STUD HINGE ✓	X		X	
42	354443-451	NEEDLE BAR LATCH ADJUSTING SET SCREW. ✓	X		X	
43	354555-451	NEEDLE BAR CLAMPING & GLIDE SCREW. ✓	X		X	
44	151576	NEEDLE BAR LATCH RETAINING RING. ✓	X		X	
45	381585	NEEDLE BAR LATCH RELEASING LEVER. ✓	X		X	
46	381595-900	NEEDLE BAR LATCH SPRING. ✓	X		X	
47	181655	NEEDLE BAR LATCH. ✓	X		X	
48	381816	NEEDLE BAR LATCH ADJUSTING STUD. ✓	X		X	
49	181654	NEEDLE BAR CONNECTING STUD. ✓	X		X	
50	354063-451	NEEDLE BAR VIBRATING BRACKET SET SCREW.	X		X	
51	382796	NEEDLE BAR LATCH KICK-CUT PLATE.	X			
52	354166-451	NEEDLE BAR LATCH KICK-CUT PLATE SCREW.	X			
53	382812	NEEDLE BAR VIBRATING BRACKET.	X			
54	383746	NEEDLE BAR VIBRATING BRACKET.			X	
55	381687	NEEDLE BAR COMPL..	X		X	
56	181651	NEEDLE BAR.	X		X	
57	163822	NEEDLE BAR CIP.	X		X	
58	142751-853	NEEDLE THUMB SCREW.	X		X	
59	163122	NEEDLE CLAMP BODY.	X		X	
60	163123	NEEDLE CLAMP.	X		X	
61	354005-451	NEEDLE CLAMP SCREW.	X		X	
62	163431	NEEDLE CLAMP THREAD GLIDE.	X		X	
63	383665	PRESSER BAR.	X		X	
64	181947	PRESSER BAR BUSHING.	X		X	
65	381593	PRESSER BAR SPRING LEVER WHEEL.	X		X	
66	354026-451	NEEDLE BAR VIBRATING BRACKET FRAME SCREW.	X		X	
67	931055-076	NEEDLE BAR VIBRATING BRACKET WASHER.	X		X	
68	354500-451	THREAD SNUBBER ADJUSTING SCREW.	X		X	
69	382769	THREAD SNUBBER.	X		X	
70	354160-451	THREAD SNUBBER MOUNTING SCREW.	X		X	
71	181919	PRESSER FOOT THUMB SCREW.	X		X	
72	383149	PRESSER FOOT SHANK (SNAP-ON).	X		X	
73	502280	PRESSER FOOT PLATE ZIG-ZAG SEWING.	X		X	
74	383192	PRESSER FOOT COMPL. ZIG-ZAG SEWING.	X		X	
75	382811-451	HEAD END MODULE.	X			
76	383750-451	HEAD END MODULE.			X	

HEAD END — 211



# TENSION MODULE — 142



# TENSION MODULE — 142

-TENSION MODULE - 142

1 1  
2 C  
3 3  
0 e  
E 3 E 3 6

REF.	PART NO.	DESCRIPTION	E	E
01	354236-452	THREAD TAKE-UP SPRING THREAD GUARD SCREW.	X	X
02	381863	THREAD TAKE-UP SPRING TREALED GUARD BAR.	X	X
03	362430-451	THREAD TAKE-UP SPRING THREAD GUARD.	X	X
04	362433-451	THREAD TAKE-UP SPRING THREAD GUARD.	X	X
05	141862-814	TENSION RELEASE LEVER ADJUSTING PLATE SCREW.	X	X
06	381719	TENSION RELEASE LEVER ADJUSTING PLATE.	X	X
07	141824-814	TENSION MOUNTING BRACKET SCREW.	X	X
08	354048-451	TENSION STUD SET SCREW.	X	X
09	381698-451	TENSION THTHEAD GUARD.	X	X
10	354049-451	THREAD TAKE-UP SPRING ADJUSTING SCREW.	X	X
11	181861-451	THREAD TAKE-UP SPRING CAP & SLACK THREAD REGULATOR (PLASTIC).	X	X
12	181875	THREAD TAKE-UP SPRING STUD & POSITION COLLAR.	X	X
13	181872	THREAD TAKE-UP SPRING.	X	X
14	354048-451	THREAD TAKE-UP SPRING STUD SET SCREW.	X	X
15	381582	TENSION RELEASE LEVER CONNECTION.	X	X
16	171272	TENSION RELEASE LEVER RETAINING RING.	X	X
17	161853	TENSION MOUNTING BRACKET.	X	X
18	53637-803	TENSION SLIDE POSITIONING SCREW NUT.	X	X
19	354167-451	TENSION SLIDE POSITIONING SCREW.	X	X
20	354419-451	TENSION RELEASING LEVER ACTUATOR HINGE BUSHING SUPPORT SCREW.	X	X
21	181873-454	TENSION ADJUSTING SCREW.	X	X
22	54593-451	TENSION ADJUSTING SCREW NUT.	X	X
23	181877	TENSION SPRING.	X	X
24	172731	TENSION SPRING ADJUSTING SCREW WASHER.	X	X
25	161855	TENSION REGULATING SLIDE PLATE.	X	X
26	172506	TENSION SLIDE PLATE SPRING CLIP.	X	X
27	182222	TENSION INDICATOR (PLASTIC).	X	X
28	381933	TENSION INDICATOR SPACER.	X	X
29	141697-814	TENSION INDICATOR SCREW.	X	X
30	181846-451	TENSION INDICATOR DIAL (PLASTIC).	X	X
31	181854	TENSION REGULATING SLIDE.	X	X
32	596479	TENSION DIAL FRICTION WASHER.	X	X
33	354622-451	TENSION INDICATOR DIAL HINGE SCREW.	X	X
34	181878	TENSION STUD.	X	X
35	382428	TENSION DISC (SMALL).	X	X
36	381644	TENSION DISC (LARGE).	X	X
37	161857	TENSION DISC PRESSURE PIN.	X	X
38	174356	TENSION DISC PRESSURE PLATE.	X	X
39	381709	PRE-TENSION SPRING ADJUSTING NUT.	X	X
40	174394	TENSION CAP FRICTION WASHER.	X	X
41	381655	PRE-TENSION SPRING LOCKING CAP.	X	X
42	382431-451	THREAD TAKE-UP SPRING THREAD GUARD POSITIONER.	X	X
43	383650-451	TENSION STUD.	X	X
44	383649-451	TENSION MODULE.	X	X
45	383633-451	PRE-TENSION TREAD ALIGNING GLIDE.	X	X
46	383652-451	PRE-TENSION COMPL.	X	X
47	X 354797-451	PRE-TENSION MOUNTING SCREW.	X	X

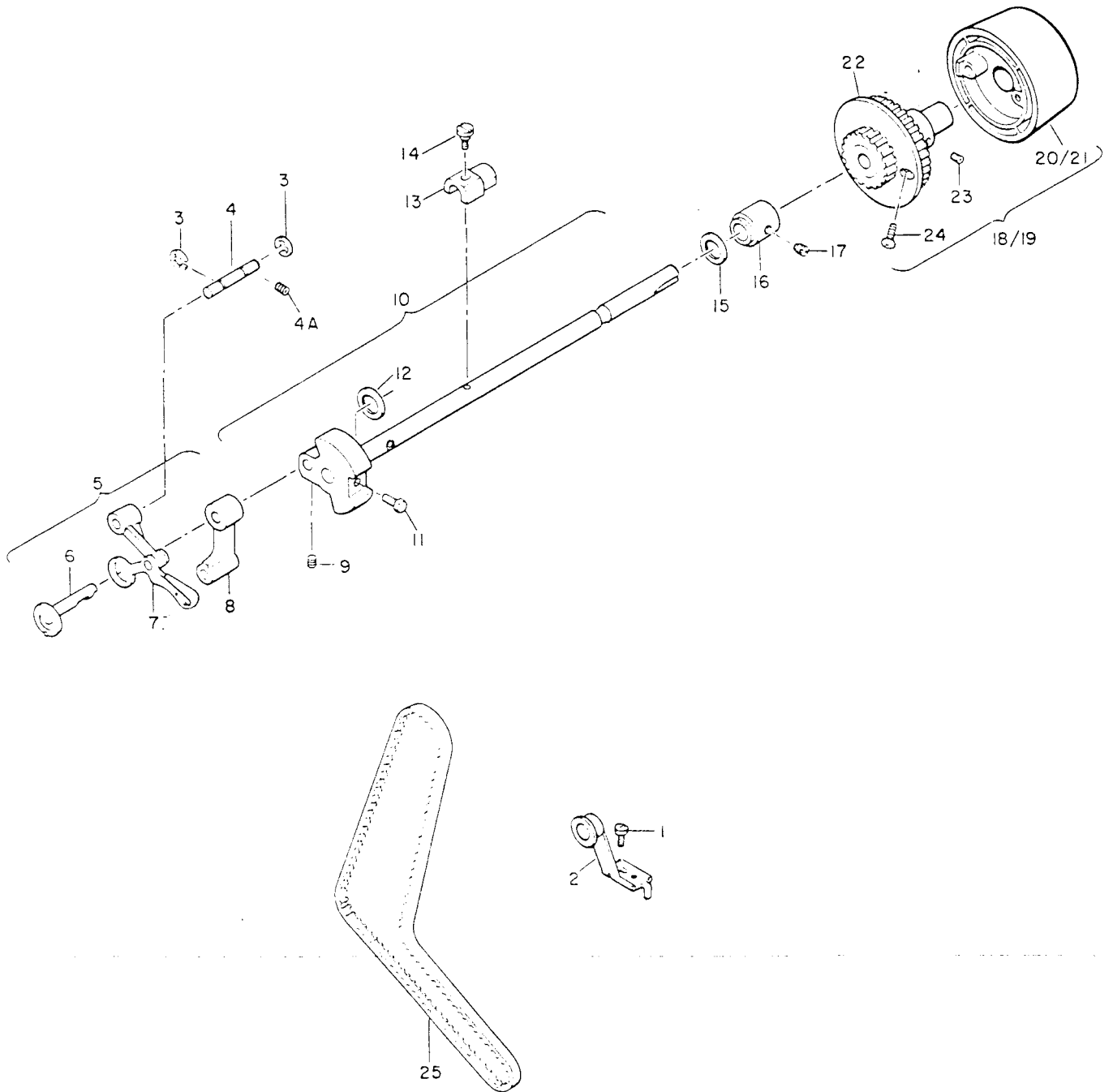
## NEEDLE BAR DRIVE AND HANDWHEEL — 132

-NEEDLE BAR DRIVE & HAND WHEEL - 132

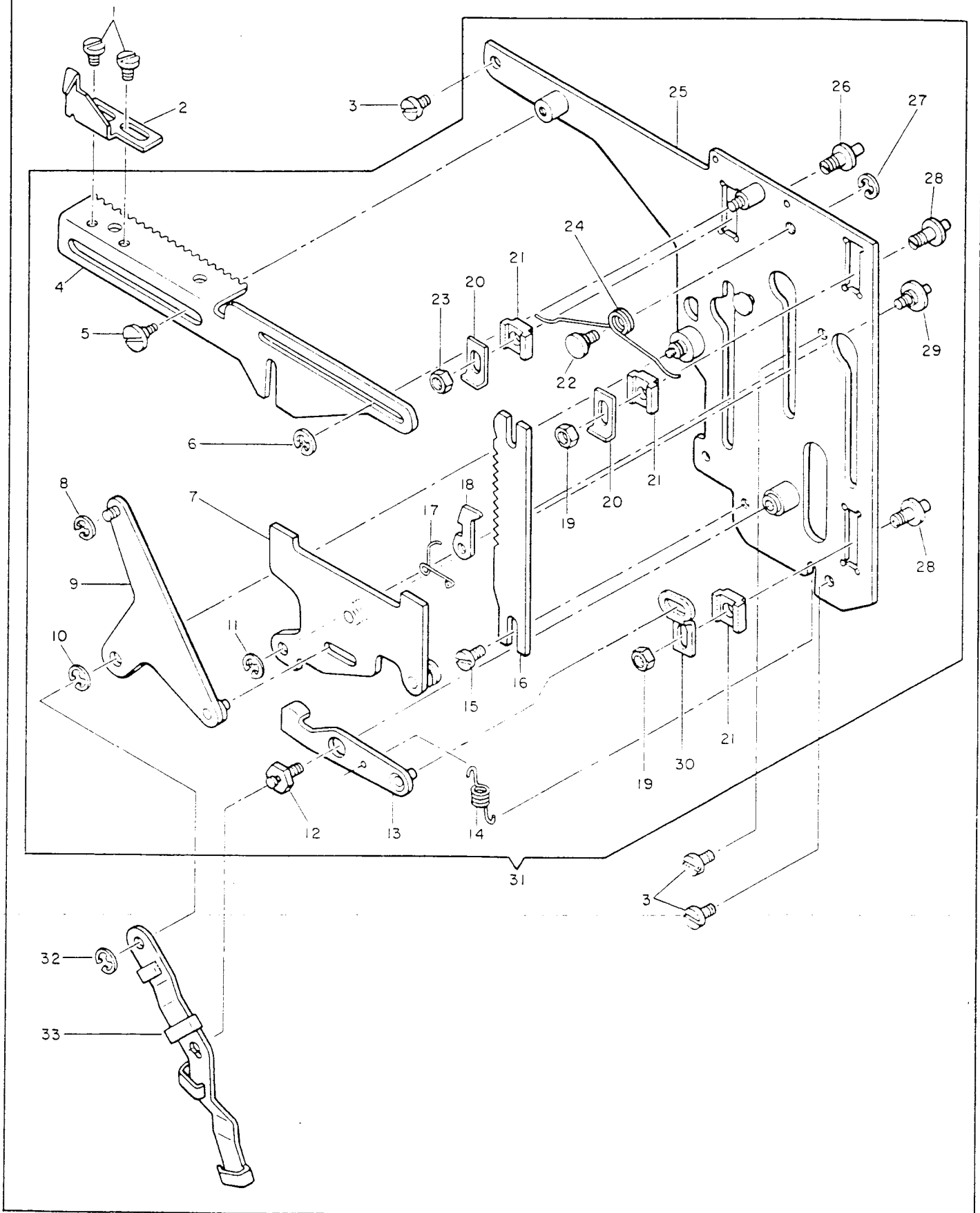
1 1  
0 0  
3 3  
0 6  
E 3 E 3

REF.	PART NO.	DESCRIPTION		
01	141860-814	BELT IDLER PULLEY BRACKET (ADJUSTABLE) SCREW.	X	X
02	181613	BELT IDLER PULLEY.	X	X
03	151525	THREAD TAKE-UP LEVER LINK RETAINING RING.	X	X
04	181625	THREAD TAKE-UP LEVER LINK PINCE STUD.	X	X
04A	354328-451	THREAD TAKE-UP LEVER LINK PINCE STUD SET SCREW.	X	X
05	381734	THREAD TAKE-UP LEVER.	X	X
06	381574	THREAD TAKE-UP CRANK (ECCENTRIC) (PLASTIC, MOLDED).	X	X
07	181624-900	THREAD TAKE-UP LEVER COMPL.	X	X
08	382715	NEEDLE BAR CONNECTING LINK.	X	X
09	354565-451	THREAD TAKE-UP CRANK (ECCENTRIC) SET SCREW.	X	X
10	382867	ARM SHAFT (HORIZONTAL).	X	X
11	139559-451	NEEDLE BAR CRANK POSITION SCREW.	X	X
12	181620	NEEDLE BAR CRANK WASHER (PLASTIC).	X	X
13	182163	DISC PATTERN SELECTOR KICK-CUT DIAL RELEASING CAP (PLASTIC).	X	X
14	139597-451	DISC PATTERN SELECTOR KICK-CUT DIAL RELEASING CAP SCREW.	X	X
15	181620	ARM SHAFT (HORIZONTAL) RETAINING COLLAR THRUST WASHER (PLASTIC).	X	X
16	382897	ARM SHAFT (HORIZONTAL) RETAINING COLLAR.	X	X
17	354565-451	ARM SHAFT (HORIZONTAL) RETAINING COLLAR SET SCREW.	X	X
18	382438-451	HAND WHEEL.	X	
19	382438-452	HAND WHEEL.		X
20	382319-451	HAND WHEEL.	X	
21	382319-454	HAND WHEEL.		X
22	382320	HAND WHEEL PULLEY.	X	X
23	354201-451	HAND WHEEL PULLEY SET SCREW.	X	X
24	354317-451	HAND WHEEL SCREW.	X	X
25	181732	BELT (ROTATING MCKK DRIVE).	X	X

# NEEDLE BAR DRIVE AND HANDWHEEL — 132



# DISC SELECTOR MECHANISM — 190





# DISC SELECTOR MECHANISM — 190

-DISC SELECTOR MECHANISM - 190

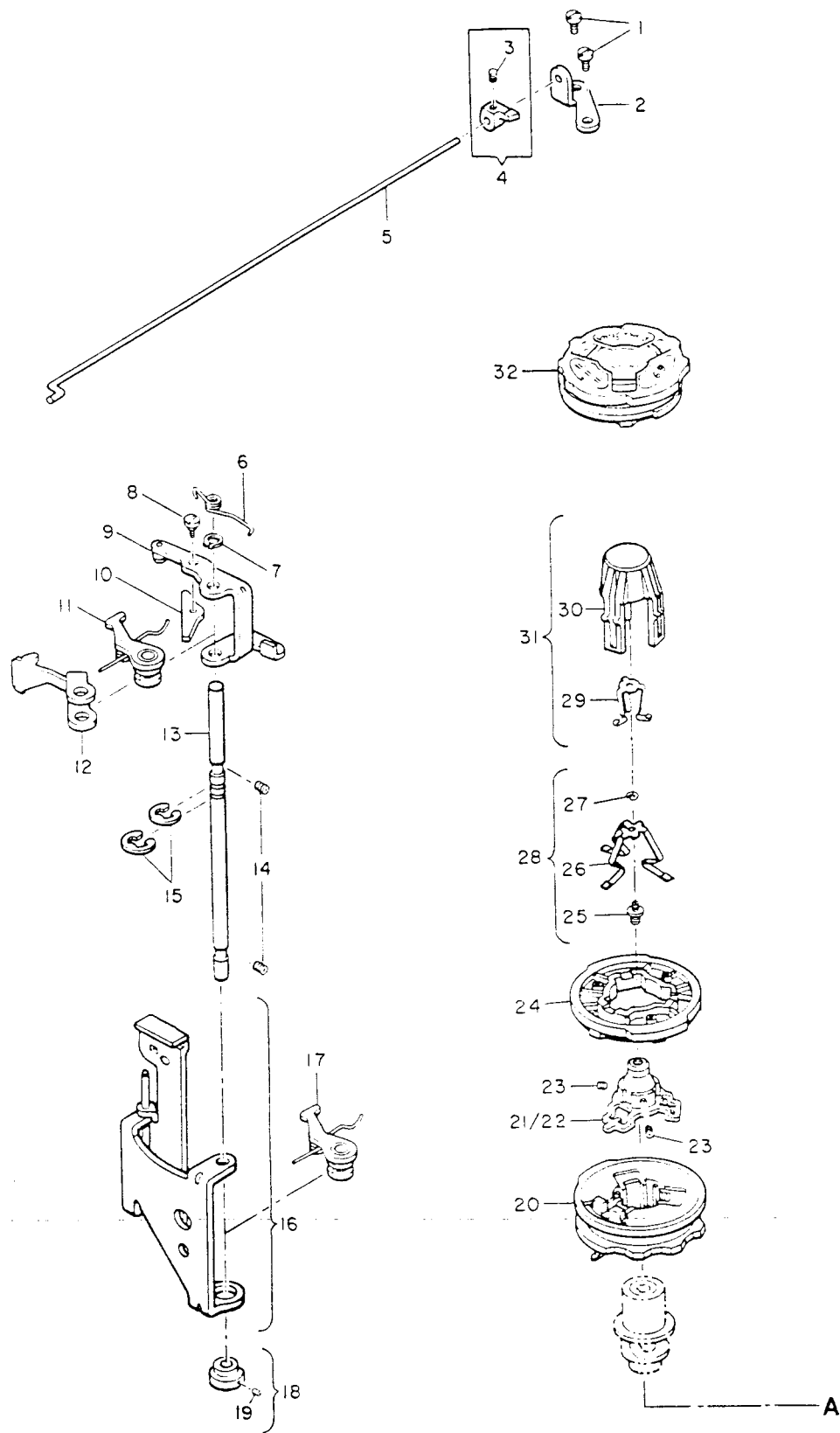
REF.	PART NO.	DESCRIPTION	1 C 3 0 E 3	
			3	6 E 3
01	354071-451	DISC SELECTOR PATTERN INDICATOR SCREW.	X	X
02	181996	DISC SELECTOR PATTERN INDICATOR.	X	X
03	354092-451	DISC SELECTOR MOUNTING PLATE SCREW.	X	X
04	181995	DISC FOLLOWERS SLIDE RACK.	X	X
05	354125-451	DISC FOLLOWERS SLIDE RACK SCREW.	X	X
06	352321	DISC FOLLOWERS SLIDE RACK RETAINING RING.	X	X
07	181991	DISC FOLLOWERS PLATE.	X	X
08	165472	DISC FOLLOWERS PLATE RETAINING RING.	X	X
09	181988	DISC FOLLOWERS PLATE LEVER.	X	X
10	151527	DISC SELECTOR LEVER RETAINING RING.	X	X
11	14494	DISC FOLLOWER RETAINING RING.	X	X
12	354124-451	DISC SLIDE BLOCK LEVER SCREW.	X	X
13	181982	DISC SLIDE BLOCK LEVER.	X	X
14	174270	DISC SLIDE BLOCK SPRING.	X	X
15	354069-451	DISC SELECTOR PLATE SCREW.	X	X
16	181974	DISC SELECTOR POSITIONING PLATE.	X	X
17	181994	DISC SELECTOR POSITIONING PAWL SPRING.	X	X
18	181993	DISC (NEEDLE POSITION) FOLLOWER (LOWER) SELECTOR POSITIONING PAWL.	X	X
19	54584-451	DISC (FEED CONTROL) FOLLOWER (UPPER & LOWER) SELECTOR STUD NUT.	X	X
20	181980	DISC (FEED CONTROL & NEEDLE POSITION) FOLLOWERS (UPPER & LOWER) SLICE BLOCK PLATE.	X	X
21	181979	DISC (FEED CONTROL & NEEDLE POSITION) FOLLOWERS (UPPER & LOWER) SLICE BLOCK (PLASTIC).	X	X
22	181975	DISC FOLLOWERS (UPPER) SPRING STUD.	X	X
23	54584-451	DISC (NEEDLE POSITION) FOLLOWER (UPPER) SELECTOR STUD NUT.	X	X
24	181976	DISC (FEED CONTROL & NEEDLE POSITION) FOLLOWERS (UPPER) SLICE BLOCK SPRING.	X	X
25	181968	DISC SELECTOR MOUNTING PLATE.	X	X
26	181961	DISC (NEEDLE POSITION) FOLLOWER (UPPER) SELECTOR STUD.	X	X
27	165472	DISC FOLLOWERS (UPPER) SPRING STUD RETAINING RING.	X	X
28	181978	DISC (FEED CONTROL) FOLLOWER (UPPER & LOWER) SELECTOR STUD.	X	X
29	181992	DISC (NEEDLE POSITION) FOLLOWER (LOWER) SELECTOR STUD (181992-900 HARDENED).	X	X
30	181977	DISC (FEED CONTROL) FOLLOWER (LOWER) SLICE BLOCK ADJUSTING PLATE.	X	X
31	181967	DISC SELECTION MODULE.	X	X
32	14494	LIGHT WIRE HARNESS BRACKET RETAINING RING.	X	X
33	381796	LIGHT WIRE HARNESS BRACKET.	X	X

## DISC STACK AND FOLLOWERS — 102

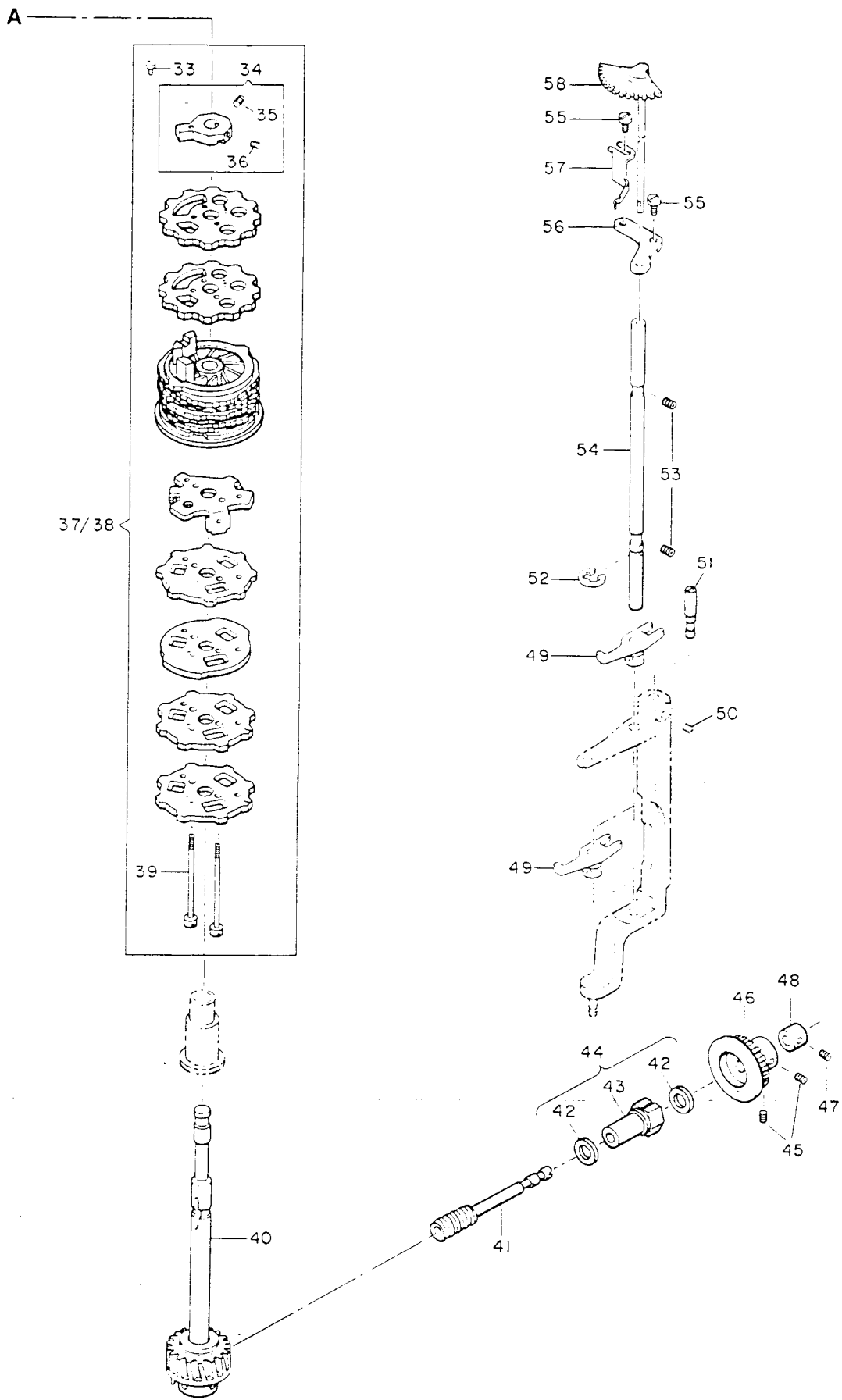
-DISC STACK & FOLLOWERS - 102

REF.	PART NO.	DESCRIPTION	1 1	
			0 C	3 3
			0 6	3 3
			E 3 E 3	
01	354090-451	BUTTONHOLER TRIPPING RCD SUPPORT BRACKET SCREW.	X	X
02	182173	BUTTONHOLER TRIPPING RCD SUPPORT BRACKET.	X	X
03	354088-451	BUTTONHOLER DISC DRIVING RATCHET ENGAGING PAWL STOP SCREW.	X	X
04	381940	BUTTONHOLER DISC DRIVING RATCHET ENGAGING PAWL STOP.	X	X
05	182167	BUTTONHOLER KICK-CUT SHAFT.	X	X
06	182166	DISC PATTERN SELECTOR KICK-CUT LEVER RETURN SPRING.	X	X
07	182150	DISC PATTERN SELECTOR KICK-CUT LEVER RETAINING RING.	X	X
08	141824-814	NEEDLE BAR DRIVING ARM KICK-CUT ACTUATOR SCREW.	X	X
09	182138	DISC PATTERN SELECTOR KICK-CUT LEVER.	X	X
10	182128	NEEDLE BAR DRIVING ARM KICK-CUT ACTUATOR.	X	X
11	182015	DISC (NEEDLE POSITION) FOLLOWER (UPPER).	X	X
12	182026	BUTTONHOLER NEEDLE POSITION FOLLOWER.	X	X
13	181944	DISC (NEEDLE POSITION) FOLLOWER (LOWER & UPPER) SHAFT.	X	X
14	354401-451	DISC (NEEDLE POSITION) FOLLOWER (LOWER & UPPER) SHAFT SET SCREW.	X	X
15	151527	NEEDLE BAR DRIVING ARM PLATE HINGE BRACKET RETAINING RING (LOWER & UPPER).	X	X
16	382495	NEEDLE BAR DRIVING ARM PLATE.	X	X
17	182015	DISC (NEEDLE POSITION) FOLLOWER (LOWER).	X	X
18	381529	NEEDLE BAR DRIVING ARM PLATE HINGE BRACKET (LOWER) ECCENTRIC.	X	X
19	354048-451	NEEDLE BAR DRIVING ARM PLATE HINGE BRACKET (LOWER) ECCENTRIC SCREW.	X	X
20	382818-451	BUTTONHOLER DISC.	X	X
21	382398	DISC DRIVER.	X	
22	383161	DISC DRIVER.		X
23	354401-451	DISC DRIVER SET SCREW.	X	X
24	381118	DISC NO. 70 (DOUBLE) (PLASTIC) FOR LACE STITCH.	X	
25	354677-451	DISC RETAINING SPRING PILCT SCREW.		X
26	383164	DISC RETAINING SPRING.		X
27	14494	DISC RETAINING SPRING RETAINING RING.		X
28	383195	DISC RETAINING SPRING.		X
29	182184	DISC RETAINING SPRING.	X	
30	381898-451	DISC RELEASE & BUTTONHOLE CAM DRIVE KNOB.	X	
31	381730-451	DISC RELEASE & BUTTONHOLE CAM DRIVE KNOB.	X	
32	381119-451	DISC (REVERSIBLE, QUADRUPLE) FOR SUPER STRETCH & LACE STITCH.	X	

# DISC STACK AND FOLLOWERS — 102



# DISC STACK AND FOLLOWERS — 102



## DISC STACK AND FOLLOWERS — 102

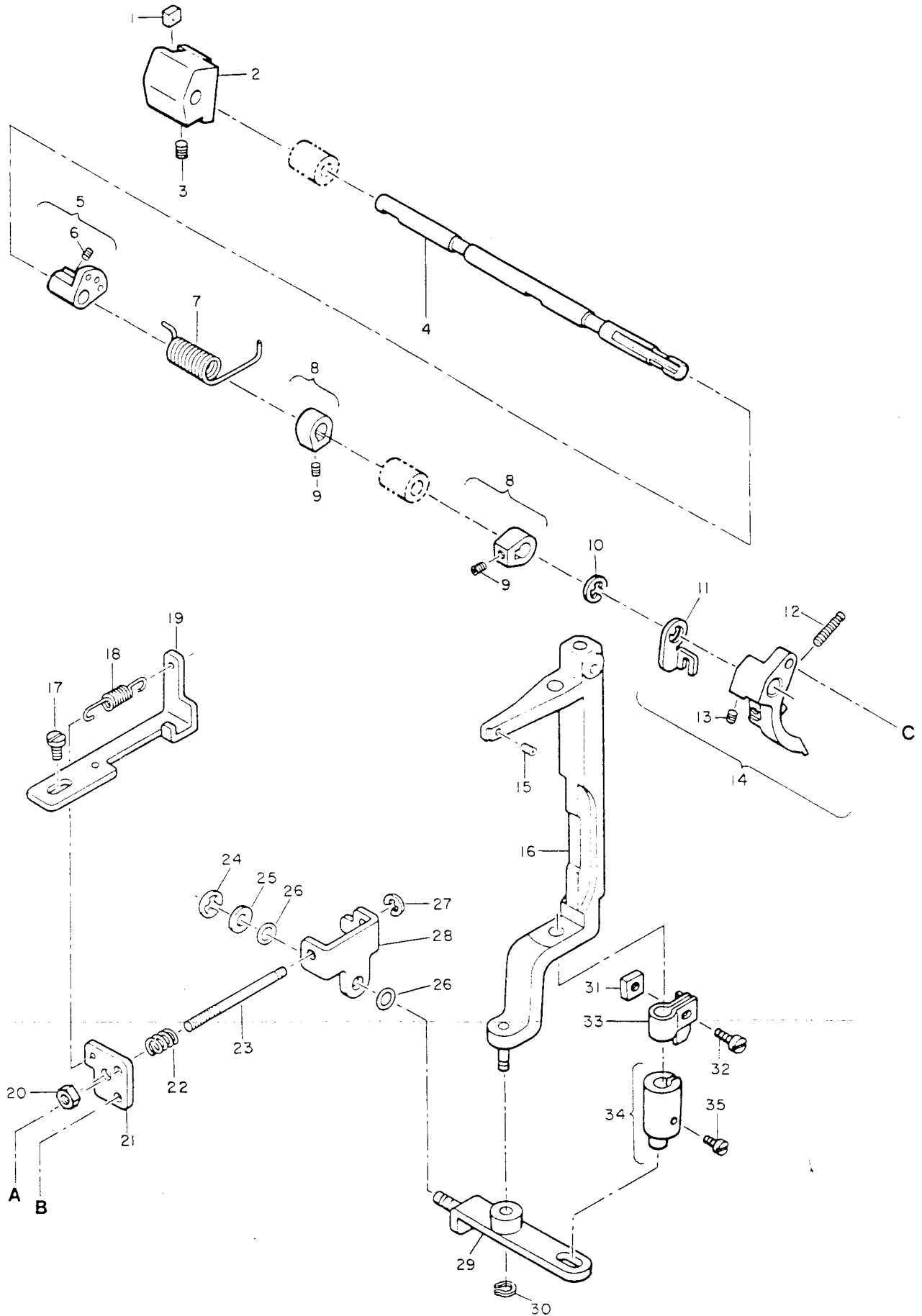
-DISC STACK & FOLLOWERS - 102			1	1
			C	9
			3	3
			0	6
REF.	PART NO.	DESCRIPTION	E	E
			3	3
33	354560-451	DISC STACK DRIVER SCREW.	X	X
34	381664	DISC STACK DRIVER.	X	X
35	354163-451	DISC STACK DRIVER POSITIONING SET SCREW.	X	X
36	354176-451	DISC STACK DRIVER SET SCREW.	X	X
37	382997	DISC STACK, DISC PATTERN FEED CAMS & DRIVER COMPL..	X	
38	383736 ✓	DISC STACK, DISC PATTERN FEED CAMS & DRIVER COMPL..		X
39	354561-451	DISC STACK, DISC PATTERN FEED CAMS & DRIVER SCREW.	X	X
40	382498	DISC STACK SHAFT (382497-500 WITH MOLDED GEAR).	X	X
41	181865	DISC STACK DRIVING GEAR.	X	X
42	382404	DISC STACK DRIVING GEAR BUSHING (ECCENTRIC) WASHER (PLASTIC).	X	X
43	382403	DISC STACK DRIVING GEAR BUSHING (ECCENTRIC).	X	X
44	382432	DISC STACK DRIVING GEAR BUSHING REPAIR KIT.	X	X
45	354176-451	DISC STACK DRIVING GEAR PULLEY SET SCREW.	X	X
46	382425	DISC STACK DRIVING GEAR PULLEY.	X	X
47	141802-869	DISC STACK DRIVING GEAR COLLAR SET SCREW.	X	X
48	174235	DISC STACK DRIVING GEAR COLLAR.	X	X
49	381975	DISC (FEED CONTROL) FOLLOWER (LOWER & UPPER).	X	X
50	141832-869	DISC (FEED CONTROL) FOLLOWER ECCENTRIC STUD SET SCREW.	X	X
51	381948	DISC (FEED CONTROL) FOLLOWER ECCENTRIC STUD (381948-500 MACHINED).	X	X
52	151527	DISC (FEED CONTROL) FOLLOWER (LOWER & UPPER) SHAFT RETAINING RING.	X	X
53	354401-451	DISC (FEED CONTROL) FOLLOWER (LOWER & UPPER) SHAFT SET SCREW.	X	X
54	181943	DISC (FEED CONTROL) FOLLOWER (LOWER & UPPER) SHAFT.	X	X
55	354090-451	DISC (FEED CONTROL) FOLLOWER (LOWER & UPPER) SHAFT SUPPORT BRACKET SCREW.	X	X
56	381651	DISC (FEED CONTROL) FOLLOWER (LOWER & UPPER) SHAFT SUPPORT BRACKET.	X	X
57	383679	BUTTONHOLE DISC FRICTION SPRING.	X	X
58	181942-451	FEED BALANCING DIAL (PLASTIC, MOLDED).	X	X

## FEED CONTROL MECHANISM — 111

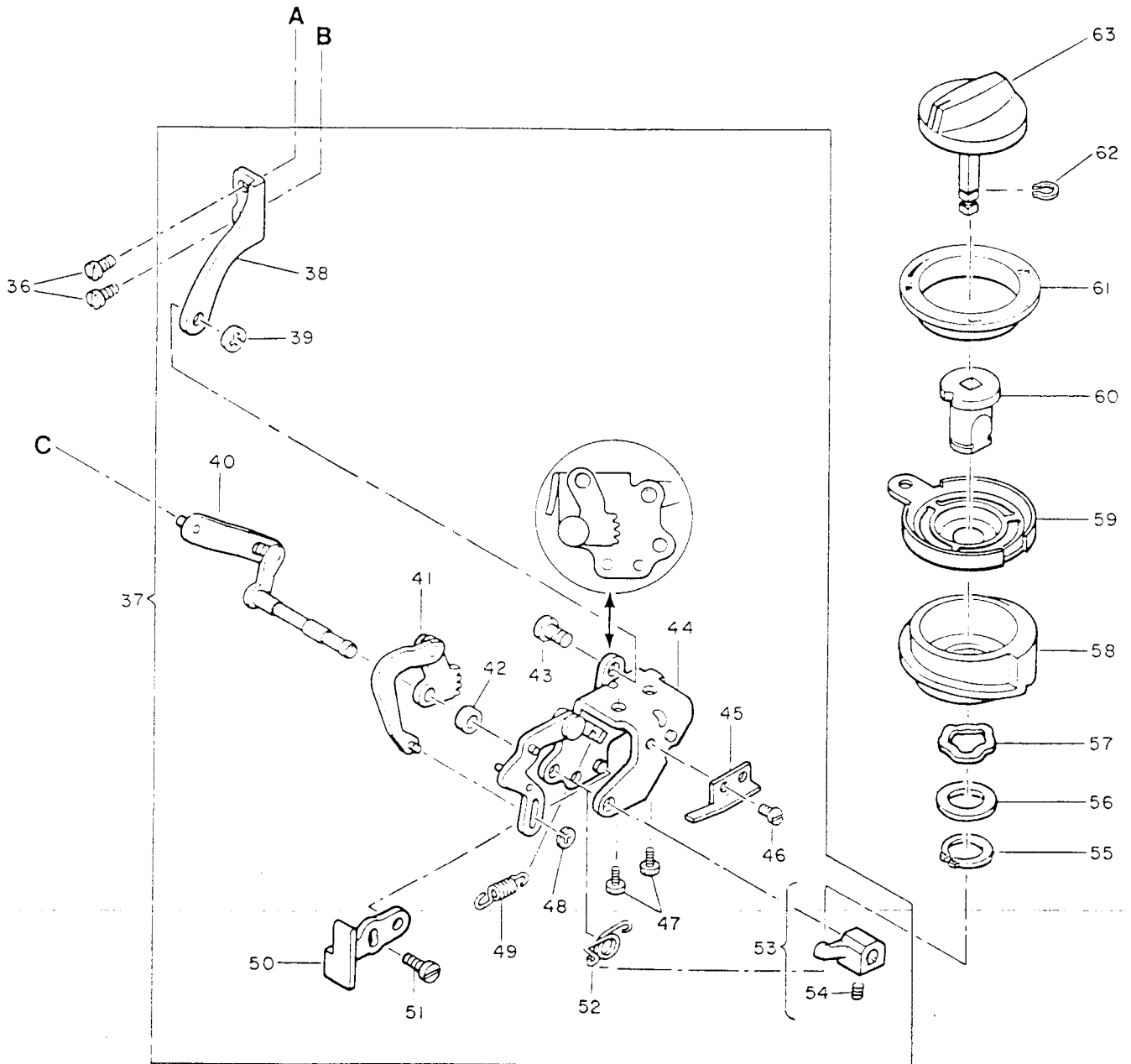
-FEED CONTROL MECHANISM - 111

REF.	PART NO.	DESCRIPTION	1 1	
			C C	3 3
			2 3	6
			0	6
			E 3 E 3	
01	511030	FEED REGULATOR SLIDE BLOCK.	X	X
02	181956	FEED REGULATOR.	X	X
03	141816-869	FEED REGULATOR SET SCREW.	X	X
04	181897	FEED REGULATOR SHAFT.	X	X
05	181908	FEED REGULATOR SHAFT TENSION SPRING ADJUSTING COLLAR.	X	X
06	141772-869	FEED REGULATOR SHAFT TENSION SPRING ADJUSTING COLLAR SET SCREW.	X	X
07	181906	FEED REGULATOR SHAFT TENSION SPRING.	X	X
08	181900	FEED REGULATOR SHAFT COLLAR.	X	X
09	141802-869	FEED REGULATOR SHAFT COLLAR SET SCREW.	X	X
10	382959	FEED REGULATOR SHAFT CONTROLLING LEVER PLATE RETAINING RING.	X	X
11	382750	FEED REGULATOR SHAFT CONTROLLING LEVER PLATE (ADJUSTABLE).	X	X
12	354528-451	FEED REGULATOR SHAFT CONTROLLING LEVER PLATE ADJUSTING SCREW.	X	X
13	141338-869	FEED REGULATOR SHAFT CONTROLLING LEVER SET SCREW.	X	X
14	382748	FEED REGULATOR SHAFT CONTROLLING LEVER.	X	X
15	354079-451	DISC CONTROLLED FEED LEVER CONNECTION DRIVING SHAFT BRACKET ADJUSTING SCREW.	X	X
16	381972	DISC CONTROLLED FEED LEVER CONNECTION DRIVING SHAFT BRACKET.	X	X
17	354090-451	DISC CONTROLLED FEED LEVER BRACKET STOP SCREW.	X	X
18	381838	DISC CONTROLLED FEED LEVER BRACKET RETURN SPRING.	X	X
19	382400	DISC CONTROLLED FEED LEVER BRACKET STOP.	X	X
20	53654-814	FEED LEVER STUD NUT.	X	X
21	381845	DISC CONTROLLED FEED LEVER PLATE.	X	X
22	381541	DISC CONTROLLED FEED LEVER SPRING.	X	X
23	381842	DISC CONTROLLED FEED LEVER SCREW STUD.	X	X
24	163562	FEED LEVER STUD RETAINING RING.	X	X
25	382417	FEED LEVER STUD WASHER.	X	X
26	181925	FEED LEVER STUD SPACER (O-RING).	X	X
27	165472	FEED LEVER STUD RETAINING RING.	X	X
28	381844	DISC CONTROLLED FEED LEVER BRACKET.	X	X
29	382410	DISC CONTROLLED FEED LEVER CONNECTION.	X	X
30	151576	FEED LEVER RETAINING RING.	X	X
31	179717-451	DISC CONTROLLED FEED LEVER E FEED BALANCING ECCENTRIC ADJUSTABLE CLAMPING CLIP NUT.	X	X
32	141852-814	DISC CONTROLLED FEED LEVER E FEED BALANCING ECCENTRIC ADJUSTABLE CLAMPING CLIP SCREW.	X	X
33	381994	DISC CONTROLLED FEED LEVER E FEED BALANCING ECCENTRIC ADJUSTABLE CLAMPING CLIP.	X	X
34	381993	DISC CONTROLLED FEED LEVER E FEED BALANCING ECCENTRIC.	X	X
35	354297-451	DISC CONTROLLED FEED LEVER E FEED BALANCING ECCENTRIC SCREW.	X	X

# FEED CONTROL MECHANISM — 111



# FEED CONTROL MECHANISM — 111





## FEED CONTROL MECHANISM — 111

-FEED CONTROL MECHANISM - 111

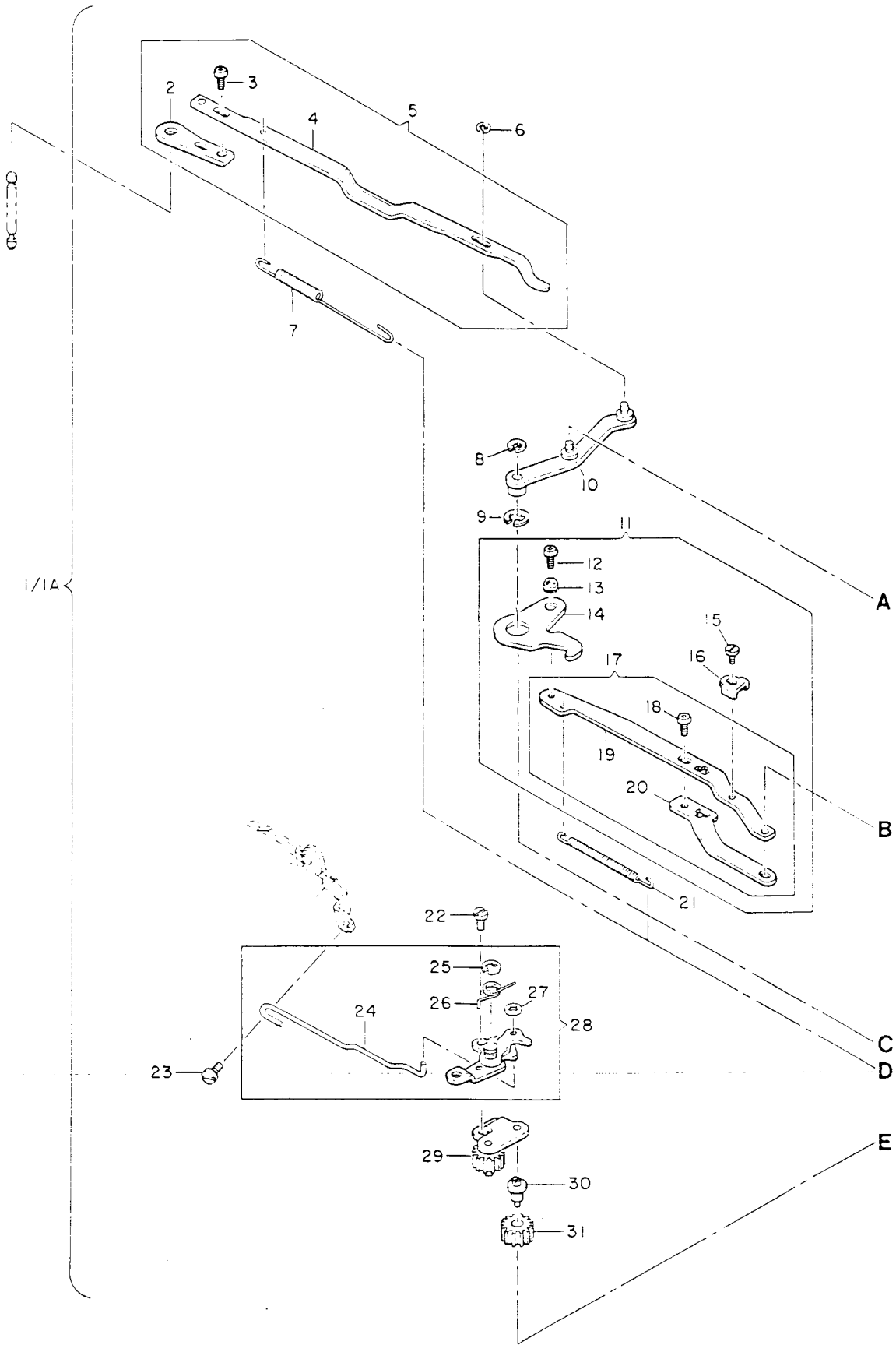
REF.	PART NO.	DESCRIPTION	1	1
			C	C
			3	3
			0	6
			E 3	E 3
36	354192-452	DISC CONTROLLED FEED LEVER SCREW.	X	X
37	382415	FEED CONTROL MOUNTING BRACKET.	X	X
38	381641	DISC CONTROLLED FEED LEVER.	X	X
39	151576	DISC CONTROLLED FEED LEVER SEGMENT (BACK) STUD RETAINING RING.	X	X
40	182073	REVERSE FEED LEVER SHAFT.	X	X
41	182076	FEED CONTROL CAM FOLLOWER LEVER LINK.	X	X
42	181894	DISC CONTROLLED FEED LEVER SEGMENT (BACK) SPACER (PLASTIC).	X	X
43	181954	DISC CONTROLLED FEED LEVER SEGMENT (BACK) STUD.	X	X
44	182072	FEED CONTROL MOUNTING BRACKET.	X	X
45	181856	FEED CONTROL CAM FRICTION SPRING & STOP.	X	X
46	141862-814	FEED CONTROL CAM FRICTION SPRING & STOP SCREW.	X	X
47	354158-451	FEED CONTROL MOUNTING BRACKET SCREW.	X	X
48	153513	FEED REGULATOR SHAFT CONTROLLING LEVER FOLLOWER STUD RETAINING RING.	X	X
49	382327	FEED CONTROL CAM FOLLOWER LEVER SPRING.	X	X
50	381934	FEED CONTROL CAM SUPPORT (ADJUSTABLE).	X	X
51	141824-814	FEED CONTROL CAM SUPPORT (ADJUSTABLE) SCREW.	X	X
52	181911	REVERSE FEED LEVER RETURN SPRING.	X	X
53	181910	REVERSE FEED LEVER.	X	X
54	354248-451	REVERSE FEED LEVER SET SCREW.	X	X
55	151545	FEED CONTROL CAM BUSHING RETAINING RING.	X	X
56	382733	FEED CONTROL CAM BUSHING SPRING WASHER.	X	X
57	381641-001	FEED CONTROL CAM BUSHING SPACER.	X	X
58	181879	FEED CONTROL CAM (PLASTIC).	X	X
59	381626	FEED CONTROL KNOB RING RETAINING CUP.	X	X
60	182181	FEED CONTROL CAM BUSHING (182181-900 MACHINED).	X	X
61	382477-301	FEED CONTROL KNOB RING (PLASTIC).	X	X
62	381502	FEED CONTROL KNOB RETAINING RING.	X	X
63	381712-451	FEED CONTROL KNOB.	X	X

## BIGHT AMPLITUDE — 122

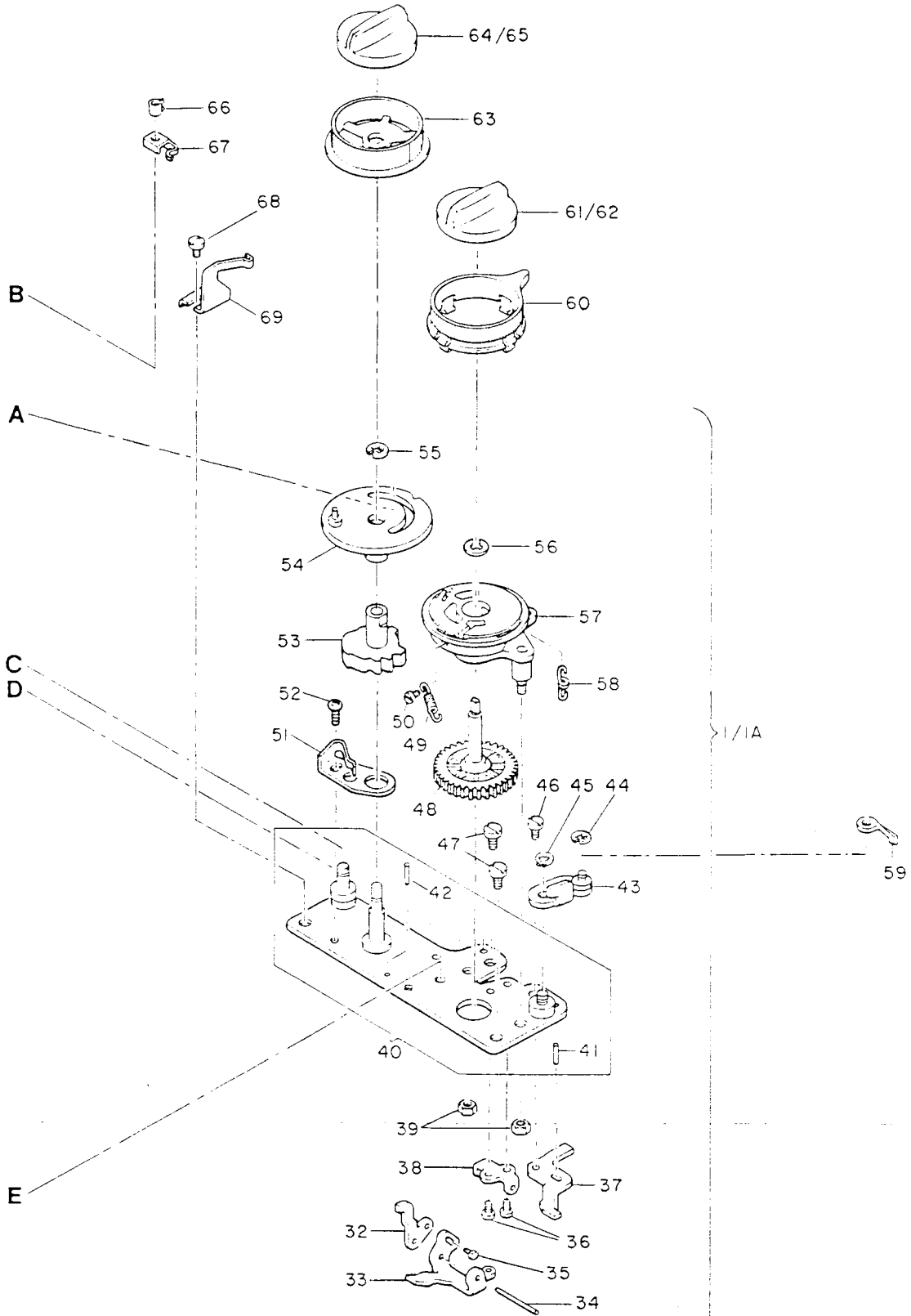
- BIGHT AMPLITUDE - 122

REF.	PART NO.	DESCRIPTION	E 3 E 3	
			1 3 0	1 3 e
01	382814-451	BIGHT AMPLITUDE & NEEDLE POSITION CONTROL MODULE COMPL..	X	
01A	382814-452	BIGHT AMPLITUDE & NEEDLE POSITION CONTROL MODULE COMPLETE.		X
02	382794	NEEDLE BAR DRIVING ARM BALL JOINT.	X	X
03	139906-451	NEEDLE BAR DRIVING ARM BALL JOINT, SCREW.	X	X
04	382800	NEEDLE BAR DRIVING ARM.	X	X
05	382815	NEEDLE BAR DRIVING ARM.	X	X
06	14494	NEEDLE BAR DRIVING ARM RETAINING RING.	X	X
07	182017	NEEDLE BAR DRIVING ARM TENSION SPRING.	X	X
08	151576	BIGHT AMPLITUDE CONTROL LEVER RETAINING RING.	X	X
09	167160	NEEDLE POSITION CAM FOLLOWER ARM RETAINING RING.	X	X
10	182094	BIGHT AMPLITUDE CONTROL LEVER.	X	X
11	381636	NEEDLE POSITION CONTROL LINK.	X	X
12	354232-451	NEEDLE POSITION CONTROL LINK SCREW.	X	X
13	381750	NEEDLE POSITION CONTROL LINK ECCENTRIC STUD.	X	X
14	182124	NEEDLE POSITION CAM FOLLOWER ARM.	X	X
15	139906-451	NEEDLE POSITION CONTROL LINK STOP (ADJUSTABLE) SCREW.	X	
16	381635	NEEDLE POSITION CONTROL LINK STOP.	X	X
17	382868	NEEDLE POSITION CONTROL LINK.	X	X
18	354232-451	NEEDLE POSITION CONTROL LINK (ADJUSTABLE) SCREW.	X	X
19	382866	NEEDLE POSITION CONTROL LINK.	X	X
20	382867	NEEDLE POSITION CONTROL LINK (ADJUSTABLE).	X	X
21	182162	NEEDLE POSITION CONTROL LINK (LEFT) SPRING.	X	X
22	354030-451	DISC PATTERN SELECTOR GEAR PLATE SCREW.	X	X
23	141852-814	DISC PATTERN SELECTOR NEEDLE BAR RELEASE ACTUATING LEVER LINK SCREW.	X	X
24	381664	DISC PATTERN SELECTOR KICK-CUT DIAL BODY NEEDLE BAR RELEASE PUSH ROD.	X	X
25	163562	DISC PATTERN SELECTOR KICK-CUT DIAL BODY NEEDLE BAR RELEASE FOLLOWER SPRING RETAINING RING.	X	X
26	381683	DISC PATTERN SELECTOR KICK-CUT DIAL BODY NEEDLE BAR RELEASE FOLLOWER SPRING.	X	X
27	381510	DISC PATTERN SELECTOR KICK-CUT DIAL BODY NEEDLE BAR RELEASE PUSH ROD RETAINING RING.	X	X
28	381662	DISC PATTERN SELECTOR KICK-CUT DIAL BODY NEEDLE BAR RELEASE FOLLOWER.	X	X
29	381604	DISC PATTERN SELECTOR GEAR PLATE.	X	X
30	182068	DISC PATTERN SELECTOR GEAR STUD.	X	X
31	182147	DISC PATTERN SELECTOR GEAR (PLASTIC).	X	X

BIGHT AMPLITUDE — 122



BIGHT AMPLITUDE — 122



## BIGHT AMPLITUDE — 122

-BIGHT AMPLITUDE - 122

REF.	PART NO.	DESCRIPTION	1	1
			0	0
			3	3
			0	6
			E 3	E 3
32	381598	DISC PATTERN SELECTOR KICK-CUT DIAL RELEASE LEVER LINK.	X	X
33	182092	DISC PATTERN SELECTOR KICK-CUT DIAL RELEASE LEVER.	X	X
34	182094	DISC PATTERN SELECTOR KICK-CUT DIAL RELEASE LEVER HINGE PIN.	X	X
35	354153-451	DISC PATTERN SELECTOR LINK SCREW.	X	X
36	354390-451	DISC PATTERN SELECTOR BRACKET SCREW.	X	X
37	182191	NEEDLE BAR DRIVING ARM PLATE STOP.	X	X
38	182093	DISC PATTERN SELECTOR MOUNTING BRACKET.	X	X
39	51644-814	DISC PATTERN SELECTOR STUD NUT.	X	X
40	182079	DISC SELECTOR MOUNTING PLATE.	X	X
41	182089	NEEDLE BAR DRIVING ARM PLATE STOP PIN.	X	X
42	182090	NEEDLE POSITION CAM STOP PIN.	X	X
43	381609	NEEDLE BAR DRIVING ARM PLATE KICK-CUT.	X	X
44	165472	NEEDLE BAR DRIVING ARM KICK-CUT CONNECTING LINK RETAINING RING.	X	X
45	155072	NEEDLE BAR DRIVING ARM PLATE KICK-CUT RETAINING RING.	X	X
46	354077-451	NEEDLE BAR DRIVING ARM STOP SCREW.	X	X
47	141677-814	BIGHT AMPLITUDE MOUNTING PLATE SCREW.	X	X
48	182154	DISC PATTERN SELECTOR DRIVE GEAR.	X	X
49	182156	DISC PATTERN SELECTOR RETURN SPRING.	X	X
50	354128-451	DISC PATTERN SELECTOR SPRING SCREW.	X	X
51	382394	NEEDLE POSITION CONTROL CAM SPRING.	X	X
52	354501-451	NEEDLE POSITION CONTROL CAM SCREW.	X	X
53	383757	NEEDLE POSITION CONTROL CAM.	X	X
54	182109	BIGHT AMPLITUDE CONTROL CAM.	X	X
55	165472	NEEDLE POSITION CONTROL CAM RETAINING RING.	X	X
56	507563	DISC PATTERN SELECTOR DIAL SEAT.	X	X
57	182133	PATTERN SELECTOR DIAL MOUNTING PLATE.	X	X
58	182096	DISC PATTERN SELECTOR LEVER SPRING.	X	X
59	182127	NEEDLE BAR DRIVING ARM LINK.	X	X
60	182160-451	DISC PATTERN SELECTOR KICK-CUT DIAL.	X	X
61	381607-451	DISC PATTERN SELECTOR DIAL.	X	
62	381607-452	DISC PATTERN SELECTOR DIAL.		X
63	182113-451	NEEDLE POSITION CONTROL DIAL	X	X
64	381605-451	BIGHT AMPLITUDE CONTROL DIAL.	X	
65	381605-453	BIGHT AMPLITUDE CONTROL DIAL.		X
66	381737	NEEDLE POSITION CONTROL LINK & BUTTONHOLDER NEEDLE POSITION FOLLOWER RETAINING SPRING CLIP.	X	X
67	381652	BUTTONHOLDER NEEDLE POSITION FOLLOWER RETAINING SPRING.	X	X
68	141877-814	BIGHT AMPLITUDE CONTROL CAM POSITIONING SPRING SCREW.	X	X
69	182111	BIGHT AMPLITUDE CONTROL CAM POSITIONING SPRING (ADJUSTABLE).	X	X

## ROTATING HOOK AREA — 010

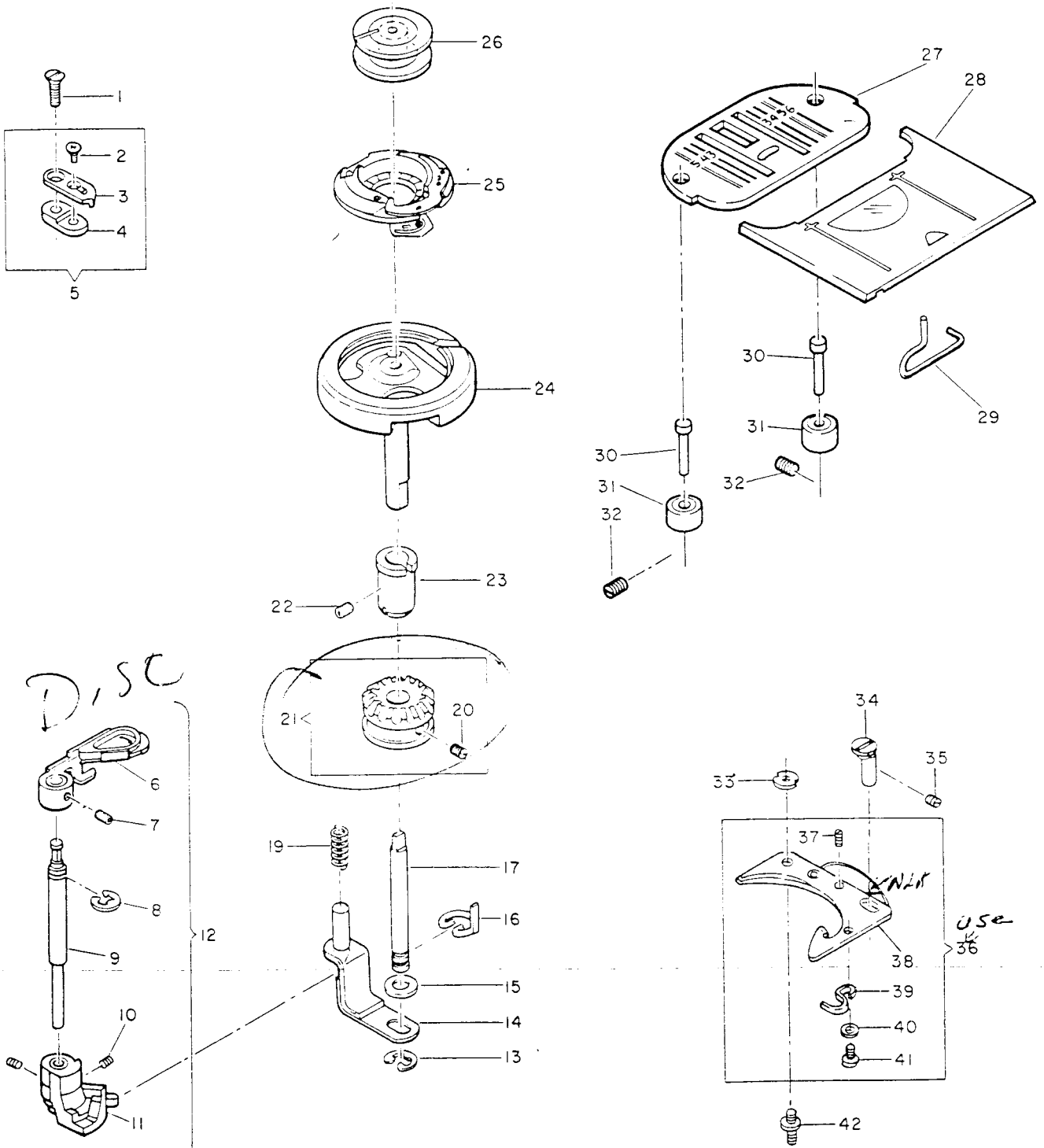
-ROTATING HOOK AREA - 010

REF.	PART NO.	DESCRIPTION	1	1
			0	0
			3	3
			0	6
			E 3	E 3
01	354148-452	BOBBIN CASE POSITION SCREW.	X	X
02	354149-451	BOBBIN CASE POSITION ADJUSTING SCREW.	X	X
03	181554	BOBBIN CASE POSITION FINGER.	X	X
04	381665	POSITION FINGER MOUNTING PLATE.	X	X
05	381847	BOBBIN CASE POSITION FINGER (BRACKET)	X	X
06	382326	BOBBIN WINDER ACTUATING LEVER.	X	X
07	354247-451	BOBBIN WINDER SET SCREW.	X	X
08	165472	BOBBIN WINDER SHAFT RETAINING RING.	X	X
09	381959	BOBBIN WINDER ACTUATING LEVER SHAFT.	X	X
10	354247-451	BOBBIN WINDER CAM SET SCREW.	X	X
11	381958	BOBBIN WINDER LEVER SHAFT CAM.	X	X
12	382341	BOBBIN WINDER ACTUATING LEVER.	X	X
13	153884	BOBBIN DRIVING SHAFT RETAINING RING.	X	X
14	181576	BOBBIN WINDER LIFTING BRACKET.	X	X
15	181565	BOBBIN DRIVING SHAFT SPACER.	X	X
16	181564	BOBBIN DRIVING SHAFT CLUTCH SPRING.	X	X
17	181562	ROTATING HOOK BOBBIN DRIVING SHAFT.	X	X
19	163791	ROTATING HOOK BOBBIN WINDER ACTUATING LEVER SHAFT CAM FOLLOWER SPRING.	X	X
20	141338-869	ROTATING HOOK BEVEL GEAR SET SCREW.	X	X
21	382679	ROTATING HOOK BEVEL GEAR (PLASTIC).	X	X
22	354725-451	ROTATING HOOK BUSHING SET SCREW.	X	X
23	383598	ROTATING HOOK FLANGED BUSHING.	X	X
24	383703	ROTATING HOOK.	X	X
25	38298e	ROTATING HOOK BOBBIN CASE COMPL..	X	X
26	181551	ROTATING HOOK BOBBIN (PLASTIC).	X	X
27	383625	THROAT PLATE FOR ZIGZAG SEWING.	X	X
28	382801	BED SLIDE WITH WINDOW.	X	X
29	383121	BED SLIDE STOP.	X	X
30	174256	THROAT PLATE CATCH PIN.	X	X
31	507196	THROAT PLATE SECURING MAGNET.	X	X
32	354176-451	THROAT PLATE CATCH PIN SCREW.	X	X
33	54594-451	BOBBIN CASE POSITION PLATE SCREW NUT.	X	X
34	383579	POSITION PLATE ADJUSTING STUD.	X	X
35	141338-869	POSITION PLATE ADJUSTING STUD SCREW.	X	X
36	383739	BOBBIN CASE POSITION PLATE COMPL..	X	X
37	354190-451	POSITION PLATE ADJUSTING SCREW.	X	X
38	N/A 383701	BOBBIN CASE POSITION PLATE. use #36	X	X
39	381884	BOBBIN CASE CUSHION SPRING.	X	X
40	381885-451	ROTATING HOOK BOBBIN CASE CUSHION SPRING WASHER.	X	X
41	354215-451	ROTATING HOOK BOBBIN CASE CUSHION SPRING SCREW.	X	X
42	354150-452	ROTATING HOOK BOBBIN CASE POSITION PLATE SCREW	X	X

383 386 - 931

ROTATING HOOK AREA — 010

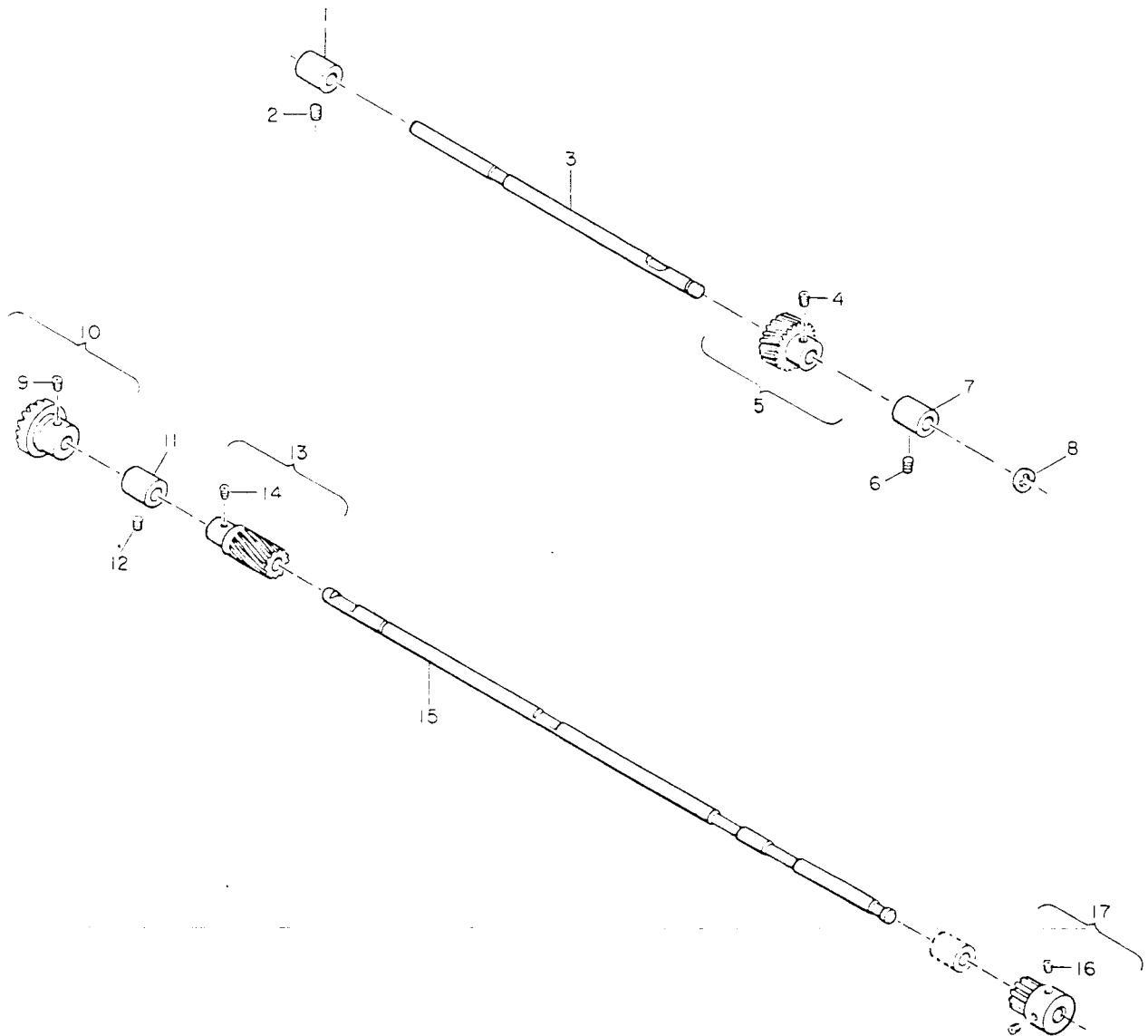
*After hood pull-off:*  
 - 334137 - insert cam  
 - 354973451 " " screw



*DISC*

*use 36*

# ROTATING HOOK DRIVE AND FEED DRIVE MECHANISM — 030





## ROTATING HOOK DRIVE AND FEED DRIVE MECHANISM — 030

-ROTATING HOOK DRIVE & FEED DRIVE MECHANISM-030

1 1  
C C  
3 3  
0 6  
E 3 E 3

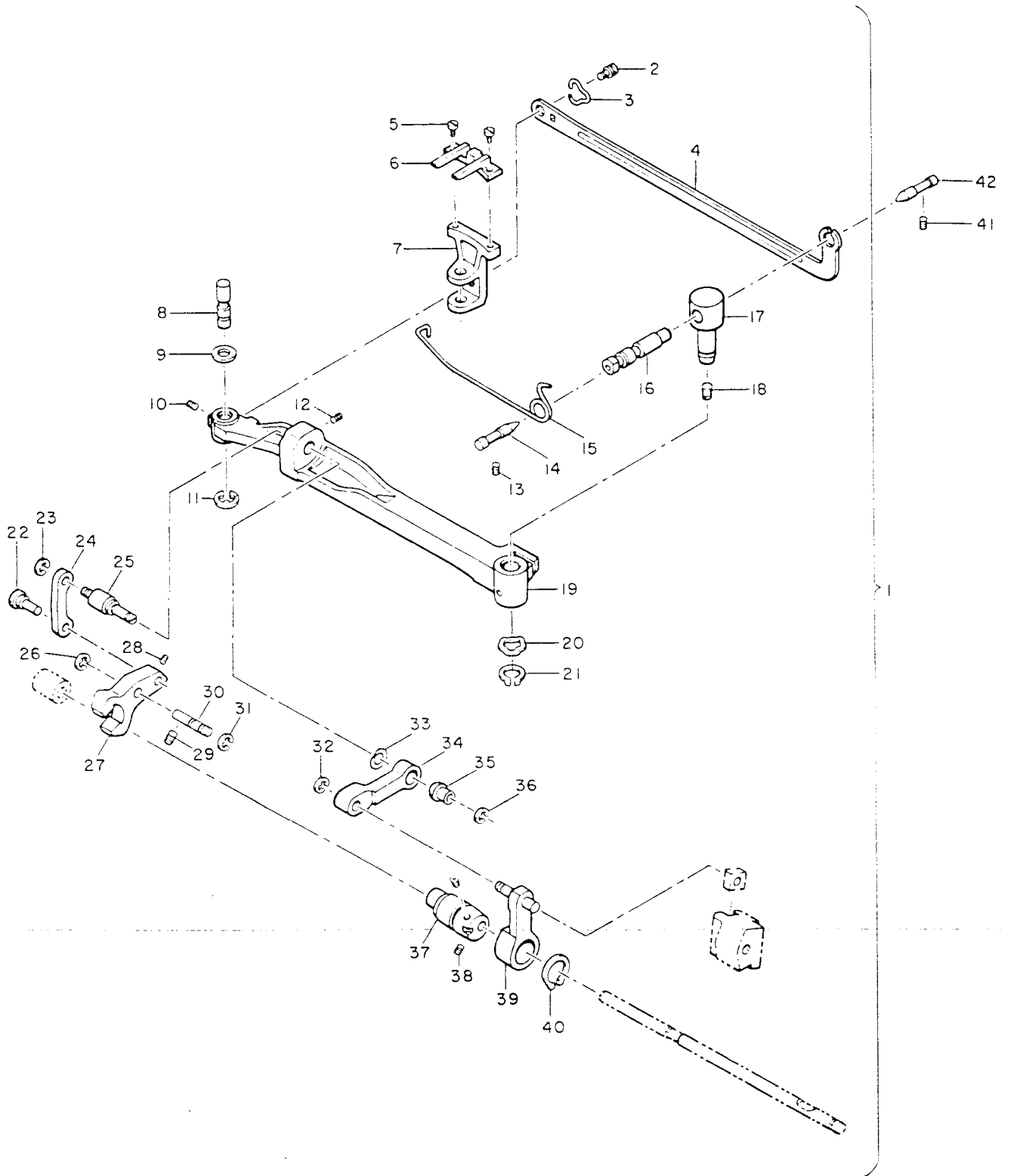
REF.	PART NO.	DESCRIPTION	E 3	E 3
01	383011	FEED DRIVE SHAFT BUSHING (LEFT).	X	X
02	139878-869	FEED DRIVE SHAFT BUSHING (LEFT) SET SCREW.	X	X
03	181598	FEED DRIVE SHAFT.	X	X
04	141338-869	FEED DRIVE SHAFT GEAR (HELICAL, PLASTIC) SET SCREW.	X	X
05	174491	FEED DRIVE SHAFT GEAR (HELICAL, PLASTIC).	X	X
06	139878-869	FEED DRIVE SHAFT BUSHING (RIGHT) SET SCREW.	X	X
07	383011	FEED DRIVE SHAFT BUSHING (RIGHT).	X	X
08	163562	FEED DRIVE SHAFT RETAINING RING.	X	X
09	141338-869	ROTATING HOOK DRIVE SHAFT BEVEL GEAR (PLASTIC) SET SCREW.	X	X
10	382677	ROTATING HOOK DRIVE SHAFT BEVEL GEAR (PLASTIC).	X	X
11	383011	ROTATING HOOK DRIVE SHAFT BUSHING (LEFT).	X	X
12	139878-869	ROTATING HOOK DRIVE SHAFT BUSHING (LEFT) SET SCREW.	X	X
13	174488	FEED DRIVE SHAFT DRIVING GEAR (HELICAL, PLASTIC).	X	X
14	141772-869	FEED DRIVE SHAFT DRIVING GEAR (HELICAL, PLASTIC) SET SCREW.	X	X
15	181579	ROTATING HOOK DRIVE SHAFT.	X	X
16	141338-869	ROTATING HOOK DRIVE SHAFT BELT PULLEY SET SCREW.	X	X
17	174282-001	ROTATING HOOK DRIVE SHAFT BELT PULLEY.	X	X

## ALPHA FEED — OOM

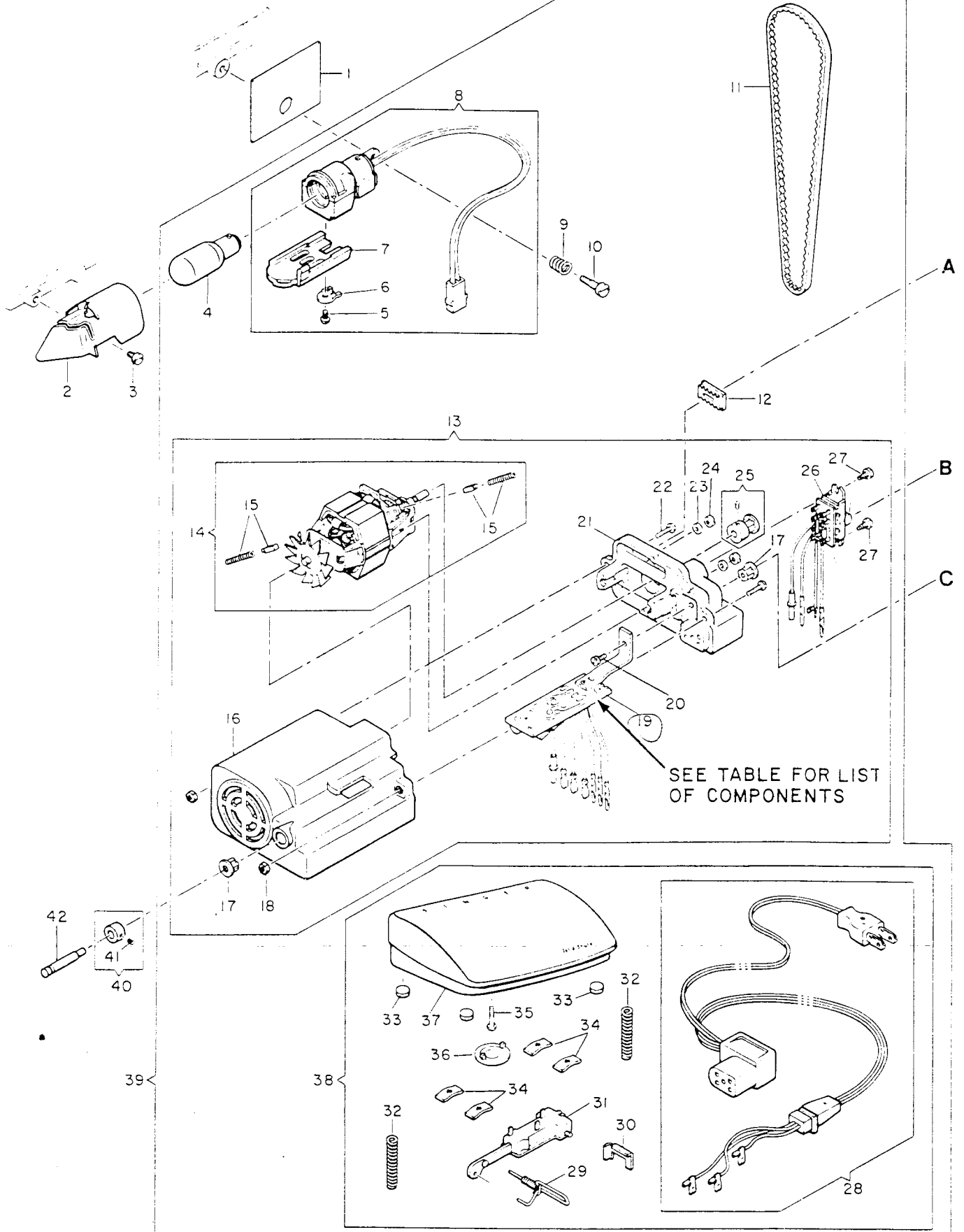
-ALPHA FEED - OOM

REF.	PART NO.	DESCRIPTION	1	1
			0	0
			2	3
			0	6
			E 3	E 3
01	382809	FEED BAR COMPL..	X	X
02	141827-803	FEED DOG HOLDER COMPENSATING STUC.	X	X
03	511075	FEED DOG HOLDER LINK RETAINING SPRING.	X	X
04	174216	FEED DOG HOLDER COMPENSATING LINK.	X	X
J5	141896-451	FEED DOG SCREW.	X	X
06	161843	FEED DOG.	X	X
07	174215-901	FEED DOG HOLDER.	X	X
08	174217	FEED DOG HOLDER STUD.	X	X
09	174251	FEED DOG HOLDER WASHER.	X	X
10	139878-869	FEED DOG HOLDER STUD SET SCREW.	X	X
11	163562	FEED DOG HCLDER STUD RETAINING RING.	X	X
12	141812-451	FEED BAR CONNECTION HINGE STUD SCREW.	X	X
13	139878-869	HINGE STUD ADJUSTING PIN SET SCREW.	X	X
14	182199	HINGE STUD ADJUSTING PIN SCREW.	X	X
15	182239	FEED BAR GUIDE PIN SPRING.	X	X
16	381835	FEED BAR HINGE STUD ADJUSTING PIN.	X	X
17	174214	FEED BAR PIVCT HINGE STUD.	X	X
18	141801-451	FEED BAR PIVCT HINGE STUD LOCK SCREW.	X	X
19	174243	FEED BAR.	X	X
20	511211	FEED BAR HINGE STUD SPRING WASHER.	X	X
21	172876	FEED BAR HINGE STUD RETAINING RING.	X	X
22	174220	FEED LIFTING HINGE STUD.	X	X
23	163562	FEED LIFTING RETAINING RING.	X	X
24	511016	FEED LIFTING FORK CONNECTION.	X	X
25	174247	FEED BAR CONNECTION HINGE STUD.	X	X
26	163562	FEED HINGE STUD RETAINING RING.	X	X
27	174275-900	FEED LIFTING FORK.	X	X
28	141802-869	FEED HINGE STUD SET SCREW.	X	X
29	139878-869	FEED LIFTING FORK SET SCREW.	X	X
30	511057	FEED LIFTING FORK HINGE STUD.	X	X
31	163562	FEED HINGE STUD RETAINING RING.	X	X
32	163562	FEED BAR CONNECTION RETAINING RING.	X	X
33	172947	FEED BAR CONNECTION SPRING WASHER.	X	X
34	511479-900	FEED BAR CONNECTION.	X	X
35	381572-900	FEED BAR CONNECTION BALL BEARING.	X	X
36	151576	FEED BAR CONNECTION RETAINING RING.	X	X
37	174244-900	FEED LIFTING CAM & FEED ECCENTRIC.	X	X
38	141802-869	FEED LIFTING CAM SET SCREW.	X	X
39	511481-900	FEED REGULATOR SLIDE BLOCK DRIVE.	X	X
40	174277	FEED REGULATOR SLIDE BLOCK DRIVE CONNECTION RETAINING RING.	X	X
41	354163-451	FEED BAR PIVOT HINGE STUD SET SCREW.	X	X
42	362722	FEED BAR PIVOT HINGE STUD ADJUSTING PIN (ECCENTRIC) SCREW CENTER.	X	X

# ALPHA FEED — 00M



# ELECTRICAL EQUIPMENT



# ELECTRICAL EQUIPMENT

(110-120 VOLTS) FOR U.S.A. & CANADA

1  
C  
3  
0  
E

REF.	PART NO.	DESCRIPTION	3	3
01	382376	LIGHT LEAD INSULATOR SHIELD.	X	X
02	182250	LIGHT SHIELD.	X	X
03	141824-814	LIGHT SHIELD SCREW.	X	X
04	777910-001	LAMP.	X	X
05	616702-003	SCREW.	X	X
06	603959-901	SPRING CLIP.	X	X
07	604128-501	LIGHT LENS.	X	X
08	604027-001	LIGHT COMPLETE.	X	X
09	603987-001	LIGHT BRACKET SPRING.	X	X
10	615407-003	LIGHT BRACKET MOUNTING SCREW.	X	X
11	613975-002	BELT (MOTOR).	X	X
12	604228-001	MOTOR ADJUSTING BLOCK.	X	X
13	604792-001	MOTOR COMPL. (CAT. NO. RA10-8).	X	X
14	614259-001	MOTOR MODULE.	X	X
15	619434-002	BRUSH WITH SPRING.	X	X
16	604034-002	COVER.	X	X
17	604229-001	BUSHING.	X	X
18	716404-017	HEX NUT NO. 4-40.	X	X
19	604787-001	CIRCUIT BOARD ASSEMBLY.	X	X
20	618634-004	SELF TAPPING SCREW.	X	X
21	604035-008	COMMUTATOR END HOUSING W/NAME PLATE.	X	X
22	140677-003	ROUND HEAD SCREW NO. 4-40.	X	X
23	604018-001	WASHER.	X	X
24	603907-002	NUT.	X	X
25	604431-002	PULLEY ASSEMBLY W/SLT SCREW.	X	X
26	604783-002	SWITCH COMPL..	X	X
27	618634-004	SELF TAPPING SCREW (SWITCH).	X	X
28	604278-001	CORD COMPL.. <i>NS</i>	X	X
29	615184-001	ACTUATING LEVER WITH TORSION SPRING.	X	X
30	618813-001	STRAIN RELIEF CLIP.	X	X
31	604173-002	STRAIGHT LINE POTENTIOMETER.	X	X
32	618542-001	PEDAL-RETURN SPRING.	X	X
33	615491-001	RUBBER FEET.	X	X
34	618538-002	PUSH-ON NUT.	X	X
35	615192-001	SHOULDER SCREW.	X	X
36	615492-001	SNAP-ON PLUG.	X	X
37	615489-003	BASE & PEDAL ASSEMBLED.	X	X
38	604280-001	CONTROLLER COMPLETE.	X	X
39	604791-001	(110-120 VOLTS) FOR U.S.A. & CANADA.	X	X
40	381867	MOTOR HINGE PIN COLLAR.	X	X
41	141802-869	MOTOR HINGE PIN COLLAR SET SCREW.	X	X
42	381691	MOTOR HINGE PIN.	X	X

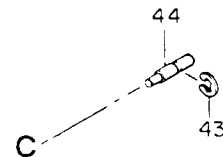
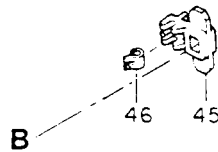
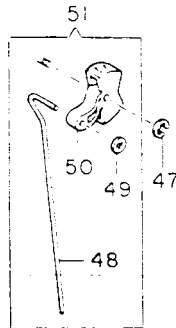
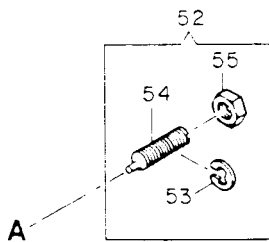
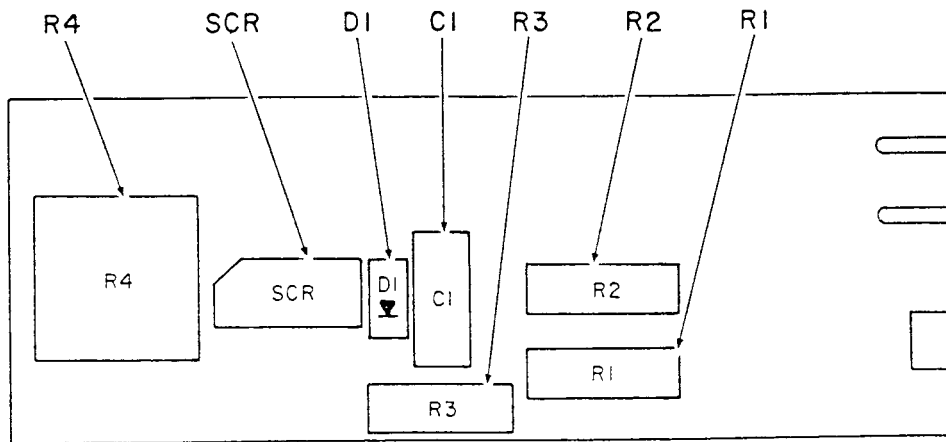
## ELECTRICAL EQUIPMENT

(110-120 VOLTS) FOR U.S.A. & CANADA

REF.	PART NO.	DESCRIPTION	1	1
			0	0
			2	3
			0	6
			E 3	E 2
43	151527	MOTOR HINGE PIN (RIGHT) RETAINING RING.	X	X
44	382367	MOTOR HINGE PIN (RIGHT).	X	X
45	382382	LIGHT SWITCH ACTUATING BRACKET (PLASTIC).	X	X
46	382330	LIGHT SWITCH ACTUATING BRACKET SPRING CLIP.	X	X
47	14494	LIGHT SWITCH ACTUATING ROCKER BUTTON RETAINING RING.	X	X
48	381511	LIGHT SWITCH ACTUATING LEVER PCC.	X	X
49	381513	LIGHT SWITCH ACTUATING LEVER RETAINING RING.	X	X
50	182048-003	LIGHT SWITCH ACTUATING LEVER ROCKER BUTTON (PLASTIC) (182048-900 WITH GRAPHICS).	X	X
51	381512-451	LIGHT SWITCH ACTUATING LEVER ROCKER BUTTON.	X	X
52	382482	MOTOR ADJUSTING STUD (ECCENTRIC).	X	X
53	151525	MOTOR ADJUSTING STUD (ECCENTRIC) RETAINING RING.	X	X
54	182009	MOTOR ADJUSTING STUD (ECCENTRIC).	X	X
55	54585-451	MOTOR ADJUSTING STUD (ECCENTRIC) JAM NUT.	X	X

# ELECTRICAL EQUIPMENT

ITEM	DESCRIPTION
R-1	RESISTOR 10K $\Omega$ 1/2 WATT
R-2	RESISTOR 18K $\Omega$ 1/2 WATT
R-3	RESISTOR 12K $\Omega$ 1/2 WATT
R-4	RESISTOR 560K $\Omega$ $\pm 10\%$
C-1	CAPACITOR .27 $\mu$ F
D-1	DIODE IN4003
SCR	SCR C106B1



## Free Manuals Download Website

<http://myh66.com>

<http://usermanuals.us>

<http://www.somanuals.com>

<http://www.4manuals.cc>

<http://www.manual-lib.com>

<http://www.404manual.com>

<http://www.luxmanual.com>

<http://aubethermostatmanual.com>

Golf course search by state

<http://golfingnear.com>

Email search by domain

<http://emailbydomain.com>

Auto manuals search

<http://auto.somanuals.com>

TV manuals search

<http://tv.somanuals.com>