

# **SINGER**

## **132W100**

# LIST OF PARTS

## INDEX

---



	PAGE
ACCESSORIES .....	15
BOBBIN WINDER .....	16
KNEE LIFTER .....	17
MACHINE No. 132w100 .....	7
NUMERICAL LIST OF PARTS .....	19
OBSOLETE PARTS .....	18
THREAD UNWINDER .....	17

## MACHINE No. 132w100

---

THE SINGER MANUFACTURING COMPANY

# Instructions for Ordering

In ordering from this list, use **ONLY** the **PART** number in the **FIRST** column.

The number stamped on a Sewing Machine Part is the number of the Single Part only, except when the part includes Set Screws, Clamping Screws, Studs and Rollers Spun on, Small Wires riveted, or Parts soldered together, etc., which it is necessary to furnish in combination.

Every combination of parts sent out has its specific number which, although not stamped on Parts (except in above cases) must be used when ordering the combination.

Each number always indicates the **SAME PART** in whatever list it appears, or for whatever Machine.

The letters after some of the numbers indicate the style of finish only, as follows:

- A. Hardened, Polished and Plated.
- B. Polished and Plated.
- C. Hardened only.
- D. Polished only.
- E. Soft, not polished.
- F. Hardened and Polished.
- H. Blued.

These letters **MUST BE USED** when they appear in the list and **AFTER** the number, as in the list.

In this series

200001 to 201500 are Screw Numbers.

201501 to 201800 are Nut Numbers.

201801 to 202000 are Roller Numbers.

202001 and upward are numbers of Machine Parts.

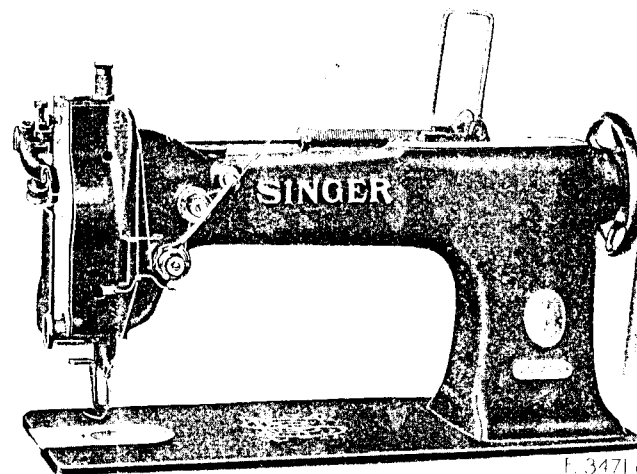
The figures in the second column refer only to the plate in which the illustration of the part is shown and are **NOT TO BE USED** in ordering.

Two or more numbers over a cut indicate that the difference between such parts is not visible in an illustration.

Parts marked with an asterisk (\*) are furnished only when repairs are made at the factory.

## LIST OF PARTS COMPLETE

FOR



## MACHINE No. 132w100

For Making Madeira Eyelets

No.	Plate	Name
*238001	---	Arm with 202135 .....
203087	14251	" Cap .....
200278H	14252	" " Screw .....
202248	14252	" " " Washer .....
203089	14251	" " Spool Holder Base .....
203090	14251	" " " " " 203089 with 200079H and 204296 .....
200585H	14252	Arm Cap Spool Holder Base Screw
204296	14251	" " " " Wire .....
200079H	14252	" " " " " Hinge Screw .....
203088	---	Arm Cap and Spool Holder complete, Nos. 203087, 203090 and two 200585H .....
204235	14252	Arm Position Pin (2) .....
200010E	14252	" Screw (3) .....
202005	14252	" " Washer (3) .....
238002	14253	" Shaft with 200357E and 203100
202243	14251	" " Bushing (back) with 202244 .....

No.	Plate	Name
202244	-----	Arm Shaft Bushing (back) Oil Packing (wick) .....
200341c	14252	Arm Shaft Bushing (back) Set Screw .....
224302	14251	Arm Shaft Bushing (front) with 202036 and 202260 .....
202260	-----	Arm Shaft Bushing (front) Oil Packing (wick) .....
200502b	14252	Arm Shaft Bushing (front) Oil Packing Thumb Screw .....
202036	14252	Arm Shaft Bushing (front) Position Pin .....
200341c	14252	Arm Shaft Bushing (front) Set Screw .....
202634	14251	Arm Shaft Connection Belt .....
202635	14251	" " " " Pulley with 200327c, 200602e and two 202253 .....
200602e	14252	Arm Shaft Connection Belt Pulley Position Screw .....
200327c	14252	Arm Shaft Connection Belt Pulley Set Screw .....
202253	14252	Arm Shaft Connection Belt Pulley Spring Flange .....
203100	-----	Arm Shaft Oil Packing (wick) ...
200357e	14252	" " " " Stop Screw ..
202705	14253	Balance Wheel (belt groove 2 1/2 in. diam.) with 200328c and 200335c ..
200062u	14252	Balance Wheel Adjusting Screw ..
200328c	14252	" " Position Screw ...
200335c	14252	" " Set Screw .....
*238006	---	Bed with 238089 .....
202258	12345	" Hinge Connection (2) .....
200570e	14252	" " " " Screw (4) ....
210530	14252	Bobbin .....
224416	14252	" Case Base .....
224417	-----	" " Cap with 200598c, 201016c and 224421 .....
224418	14252	Bobbin Case Cap complete, Nos. 200964e, 210736, 224310 and 224417 ..
224309	14252	Bobbin Case Latch .....
224310	-----	" " " " 224309 with 210735 and 224401 .....
210735	14252	Bobbin Case Latch Fulcrum Pin ..
224401	14252	" " " Lever .....
210736	14252	" " " Spring .....
200964e	14252	" " " Stop Screw ...
238008	14252	" " " Stop .....
202036	14252	" " " Pin (2) .....

No.	Plate	Name
200092b	14252	Bobbin Case Stop Screw .....
224421	14252	" " Tension Spring .....
201016c	14252	" " " " " Regulat- ing Screw .....
200598c	14252	Bobbin Case Tension Spring Screw ..
224419	-----	Bobbin Case complete, Nos. 224416 and 224418 .....
238009	14253	Face Plate .....
202135	14254	" " Position Pin .....
200473b	14254	" " Thumb Screw .....
*238010	---	Hook (sewing) .....
238011	14254	" 238010 with 200145u, 203101, 224339, 238013 and three 200596e ..
238012	---	Hook and Bobbin Case complete, Nos. 224419 and 238011 .....
238013	14254	Hook Gib .....
200596e	14254	" " Screw .....
203101	---	" Oil Wick .....
200555u	14254	" Screw .....
238014	14253	" Shaft .....
202321	14254	" " Bushing (back) .....
210943	14254	" " " (front) .....
200346c	14254	" " " Set Screw (2) ...
202661	14251	" " Connection Belt Pulley with 202324 and two 200378c ..
200378c	14254	Hook Shaft Connection Belt Pulley Set Screw .....
202324	14254	Hook Shaft Connection Belt Pulley Spring Flange .....
202260	---	Hook Shaft Oil Packing (wick) (2) ..
224339	14254	" Washer Needle Guard .....
200145u	14254	" " " " Screw ..
233122	14251	Needle Bar (hollow) with 200141e ..
202552	14254	" " Connecting Link .....
224341	14254	" " " " Stud with 202254 .....
202254	---	Needle Bar Connecting Link Stud Oil Packing (wick) .....
200374c	14254	Needle Bar Connecting Link Stud Set Screw .....
200383c	14254	Needle Bar Connecting Link Stud Set Screw .....
*206891	---	Needle Bar Connecting Stud .....
206892	14254	" " " " 206891 with 200072c and 202330 .....
202330	---	Needle Bar Connecting Stud Oil Packing (wick) .....
200072c	14254	Needle Bar Connecting Stud Pinch Screw .....



No.	Plate	Name
200382c	14256	Needle Vibrator Eccentric Set Screw .....
238031	14253	Needle Vibrator Eccentric Shaft
238032	14255	" " " "
		Bushing .....
200383c	14254	Needle Vibrator Eccentric Shaft Bushing Set Screw .....
238035	14255	Needle Vibrator Eccentric Shaft Driving Gear with two 200378c...
200378c	14254	Needle Vibrator Eccentric Shaft Driving Gear Set Screw .....
238033	14255	Needle Vibrator Eccentric Shaft Gear with two 200378c .....
238034	14255	Needle Vibrator Eccentric Shaft Gear Cover with two 213692 ...
213692	14258	Needle Vibrator Eccentric Shaft Gear Cover Position Pin .....
200566d	14258	Needle Vibrator Eccentric Shaft Gear Cover Screw (2) .....
200378c	14254	Needle Vibrator Eccentric Shaft Gear Set Screw .....
238097	14255	Presser Bar (hollow) with 201462c
238044	14258	" " Bushing .....
200347c	14254	" " " Set Screw ....
238045	14258	" " Lifting Releasing Lever Bracket .....
200260d	14258	Presser Bar Lifting Releasing Lever Bracket Guide Screw .....
238046	14258	Presser Bar Lifting Releasing Lever Bracket Spring .....
202337	14258	Presser Bar Position Guide .....
202338	14258	" " " " Lever with 200086c .....
200086c	14258	Presser Bar Position Guide Lever Pinch Screw .....
200352c	14258	Presser Bar Position Guide Set Screw .....
238047	14258	Presser Bar Spring .....
238048	14258	" " " Stop Rod .....
200492B	14258	" " Thumb Screw (pressure regulating) .....
201637B	14258	Presser Bar Thumb Screw Check Nut .....
200363c	14258	Presser Bar Thumb Screw Set Screw .....
202355	14256	Presser Bar Thumb Screw Set Screw Packing (brass) .....
238051	14261	Presser Foot, for eyelets $\frac{3}{8}$ in. diameter .....

No.	Plate	Name
238098	14259	Presser Foot Lifter with 200362c...
200362c	14256	" " " Set Screw ....
238099	14259	" " Lifting Lever .....
201462c	14259	" " Screw .....
5596	14259	Starting Bell Crank .....
5599	14259	" " " Bracket .....
178c	14259	" " " " Screw (2) .....
5601	14259	" " " Hinge Pin ...
5735	14259	" " " Spring .....
5598	- -	Starting Bell Crank complete, Nos. 5596, 5599, 5601 and 5735 .....
238078	14253	Starting Shaft .....
238080	14257	" " Crank with 200382c and 200437c .....
238081	14257	Starting Shaft Crank Connecting Rod with two 202302 .....
202302	14259	Starting Shaft Crank Connecting Rod Cotter Pin .....
200437c	14256	Starting Shaft Crank Position Screw .....
200382c	14256	Starting Shaft Crank Set Screw...
238082	14257	" " Spring .....
238028	14259	" " " Collar with 200098c .....
200098c	14259	Starting Shaft Spring Collar Set Screw .....
238084	14259	Take-up (auxiliary) .....
224372	14259	" Lever .....
202399	14259	" " Driving Stud with 202277 .....
202277	- - -	Take-up Lever Driving Stud Oil Packing (wick) .....
202400	14259	Take-up Lever Hinge Stud with 202423 .....
202423	- - -	Take-up Lever Hinge Stud Oil Packing (wick) .....
200363c	14258	Take-up Lever Hinge Stud Set Screw .....
202402	14260	Tension Disc (back) .....
202403	14260	" " (front) .....
224402	14260	" Release Lever .....
224403	14260	" " " 224402 with 200289c, 201537h and 224404 ...
200289c	14260	Tension Release Lever Hinge Screw
201537h	14260	" " " " " " Nut .....
224404	14260	Tension Release Lever Hinge Stud
200355c	14260	" " " " " " Set Screw .....

No.	Plate	Name
202404	14260	Tension Release Plunger .....
202405	14260	" " Washer .....
204270	14260	" Spring .....
200625E	14260	" Stud with 204925 .....
200084E	14260	" " Set Screw .....
204925	14260	" " Washer .....
201572B	10881	" Thumb Nut .....
238101	14260	Tension complete, Nos. 200625E, 201572B, 202402, 202403, 202405, 202410 and 204270 .....
201184B	14260	Thread Controller Bearing (screw)
201637B	14258	" " " Check Nut
202402	14260	" " Disc .....
224405	14260	" " " Cap .....
200577H	14260	" " " Screw ..
224373	14260	" " " Position Pin..
224374	14260	" " Releasing Plunger
224375	14260	" " " "
		Roller .....
224376	14260	Thread Controller Releasing Plun- ger Spring .....
202410	14260	Thread Controller Spring .....
202411	14260	" " " Stop .....
200132C	14260	" " " " Screw
224406	14260	Thread Controller complete, Nos. 200577H, 201184B, 201637B, 224373, 224374, 224376, 224405 and two 202402 .....
238085	14261	Thread Guide .....
210592	14261	" " .....
200086C	14258	" " Screw .....
200582H	14261	" " " .....
238087	14257	Throat Plate .....
238089	14261	" " Position Pin .....
238092	14261	" " Spur, for eyelets $\frac{3}{16}$ in. diameter .....
238095	14261	Throat Plate Spur Locking Slide
200321D	14261	" " " " " "
		Screw .....
238088	----	Throat Plate complete, Nos. 238087, 238095 and three 200321D .....

## ACCESSORIES

No.	Plate	Name
210530	14252	Bobbin .....
*225482	----	" Case Screw Driver Blade ..
*225483	----	" " " " Handle ..
225497	12345	Bobbin Case Screw Driver com- plete, Nos. 225482 and 225483 ..
238096	----	Drip Pan with four wood screws $\frac{1}{2}$ in. No. 5 .....
87561	----	Embroidery Hoop .....
234468	----	Eyelet Piercer with 200473B .....
234469	----	" " Holder .....
200473B	14254	" " Thumb Screw .....
234470	14262	Eyelet Piercer (adjustable), for eyelets from $\frac{3}{16}$ to $\frac{1}{2}$ in. diam., complete, Nos. 234468 and 234469
234462	----	Eyelet Punch, .067 in. diameter ...
234463	----	" " .055 in. diameter ...
234464	----	" " $\frac{3}{16}$ in. diameter ...
234465	14262	" " $\frac{1}{4}$ in. diameter ...
234466	----	" " $\frac{5}{16}$ in. diameter ...
234467	----	" " $\frac{3}{8}$ in. diameter ...
234484	----	" " Cutting Block (fibre)
231485	----	" " Mallet (wood) .....
41400	12345	Machine Rest Pin (wood) .....
135 x 7	----	Needles, six, size 12 .....
36578	12345	Oiler with 36579 .....
36579	12345	" Spout, $3\frac{1}{2}$ in. long, with 120117
120117	----	" " Washer (leather) .....
238049	----	Presser Foot, for eyelets $\frac{3}{16}$ in. diameter .....
238050	----	Presser Foot, for eyelets $\frac{1}{4}$ in. diameter .....
238052	----	Presser Foot, for eyelets $\frac{5}{16}$ in. diameter .....
238053	----	Presser Foot, for eyelets $\frac{3}{8}$ in. diameter .....
*225484	----	Screw Driver Blade .....
*225485	----	" " Handle .....
225498	12345	Screw Driver complete ( $7\frac{1}{2}$ in. long), Nos. 225484 and 225485 ..
222956	----	Thread Unwinder Spool Weight
222962	14257	" " " "
		222956 with 2455, 200011E, 202482, 202483 and 222961 .....

No.	Plate	Name
2455	14262	Thread Unwinder Spool Weight Tension Disc (lower) .....
202482	14262	Thread Unwinder Spool Weight Tension Disc (upper) .....
200011E	14262	Thread Unwinder Spool Weight Tension Disc Screw .....
202483	14262	Thread Unwinder Spool Weight Tension Disc Spring (brass) ...
222961	14263	Thread Unwinder Spool Weight Thread Guide .....
238090	---	Throat Plate Spur, for eyelets $\frac{3}{4}$ in. diameter .....
238091	---	Throat Plate Spur, for eyelets $\frac{7}{8}$ in. diameter .....
238093	---	Throat Plate Spur, for eyelets $\frac{1}{2}$ in. diameter .....
238094	---	Throat Plate Spur, for eyelets $\frac{1}{4}$ in. diameter .....
225554	12345	Wrench (steel) .....

#### BOBBIN WINDER

##### Swing Automatic, Right Hand

225453	10884	Frame with 202277 and 225438 ...
225454	10884	" Hinge Pin .....
202277	---	" Oil Packing (wick) .....
225438	10884	" Well Cap .....
225455	10884	" Spring .....
225456	10884	" Plunger .....
202473	10885	Pulley with 200105c .....
200105c	10884	" Set Screw .....
225381	10884	Spindle .....
225444	10884	Stop Latch .....
200056E	10884	" Screw .....
225458	10884	" Thumb Lever .....
225459	10884	" Hinge Stud .....
225460	10884	" Joint Stud .....
202478	10884	" Trip Lever .....
200299H	10884	" Hinge Screw .....
225461	10881	Tension Bracket with 201499B ...
200082D	10881	" Screw .....
228026	10884	" Washer .....
2102	10881	" Disc .....
202407	10881	" Spring .....
201499B	10881	" Stud .....
201572B	10881	" Thumb Nut .....
225462	10881	Bobbin Winder Tension Bracket complete, Nos. 201572B, 202407, 225461 and two 2102 .....

No.	Plate	Name
225433	10885	Bobbin Winder and Tension Bracket Base .....
225382	10885	Universal Bobbin Winder complete, Nos. 200056E, 200082D, 200299H, 202473, 202478, 225381, 225433, 225444, 225453 to 225456, 225458 to 225460, 225462, 228026 and two wood screws $\frac{3}{4}$ in., No. 13, R.H.B.

#### KNEE LIFTER

2763	14253	Knee Lifter Rock Shaft .....
7539	14253	" " " " Hanger (back) with two wood screws 1 in., No. 10 .....
20093	14253	Knee Lifter Rock Shaft Hanger (front) with two wood screws 1 in., No. 10 .....
2765	14253	Knee Lifter Rock Shaft Knee Arm
2768	---	" " " " " " 2765 with 2766 and 2767 .....
2766	14253	Knee Lifter Rock Shaft Knee Arm Hub with 356c .....
356c	14262	Knee Lifter Rock Shaft Knee Arm Hub Set Screw .....
2767	14253	Knee Lifter Rock Shaft Knee Arm Plate with 356c .....
356c	14262	Knee Lifter Rock Shaft Knee Arm Plate Set Screw .....
6337	14253	Knee Lifter Rock Shaft Lifting Bracket with two 356c .....
2778	14253	Knee Lifter Rock Shaft Lifting Bracket Hook .....
356c	14262	Knee Lifter Rock Shaft Lifting Bracket Hook Set Screw .....
356c	14262	Knee Lifter Rock Shaft Lifting Bracket Set Screw .....
2770	14253	Knee Lifter Rock Shaft Stop Dog with 356c .....
356c	14262	Knee Lifter Rock Shaft Stop Dog Set Screw .....
238102	14253	Knee Lifter Rock Shaft complete, Nos. 2763, 2768, 2770, 2778, 6337, 7539 and 20093 .....

#### THREAD UNWINDER

225395	14263	Spool Rest (for two spools) with 201018c .....
--------	-------	--



No.	Plate	Name
225388	14263	Spool Rest Rod .....
200383c	14254	" " " Set Screw .....
201018c	14262	" " Set Screw .....
202490	14263	" Stand with 200383c .....
60913	14263	" Weight .....
225391	14263	Thread Guide .....
201696j	14262	" " Lock Nut .....
225392	14263	" " Rod with 208e and 225393 .....
208e	14262	Thread Guide Rod Screw .....
225393	14262	" " Washer .....
225396	14263	Thread Unwinder (for two spools) complete, Nos. 201696j, 202490, 225388, 225392, 225395, two each 60913, 225391 and three wood screws $\frac{3}{8}$ in., No. 13 .....

## OBSOLETE PARTS

238021	14262	Needle Bar Positioning Sleeve ....
238023	14262	" " " " Stud

## PLATE 10881—FULL SIZE

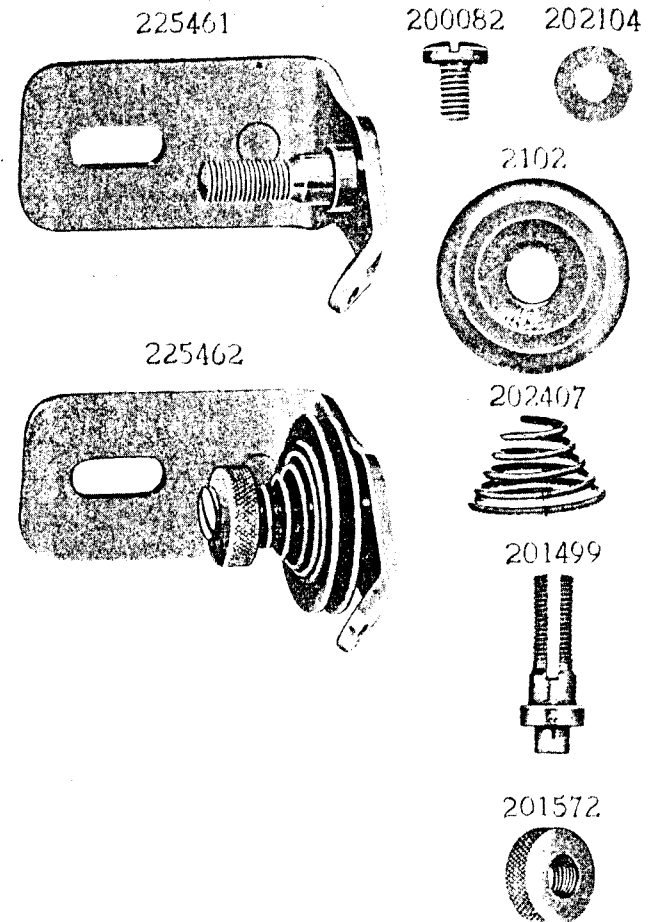


PLATE 10884—FULL SIZE

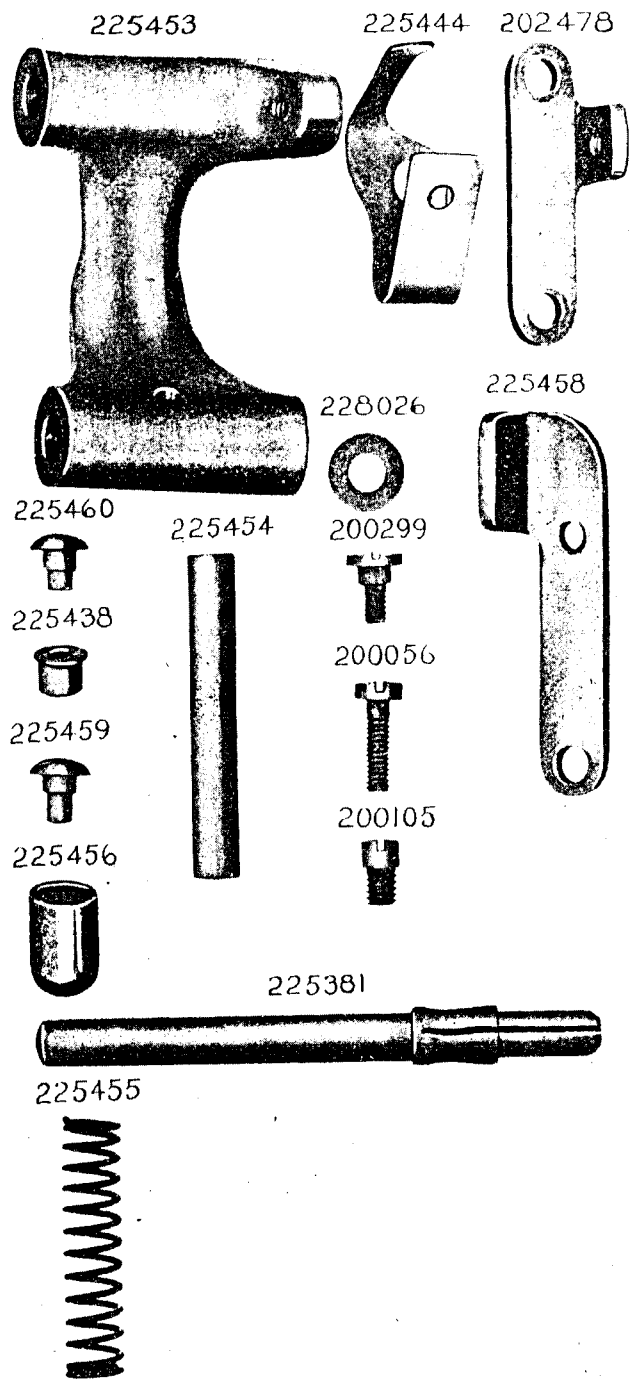


PLATE 10885—ONE-FOURTH SIZE

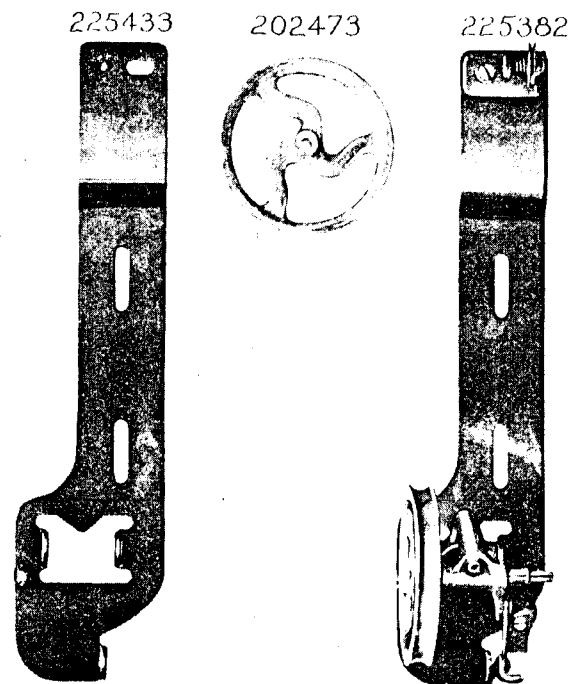


PLATE 12345—ONE-HALF SIZE

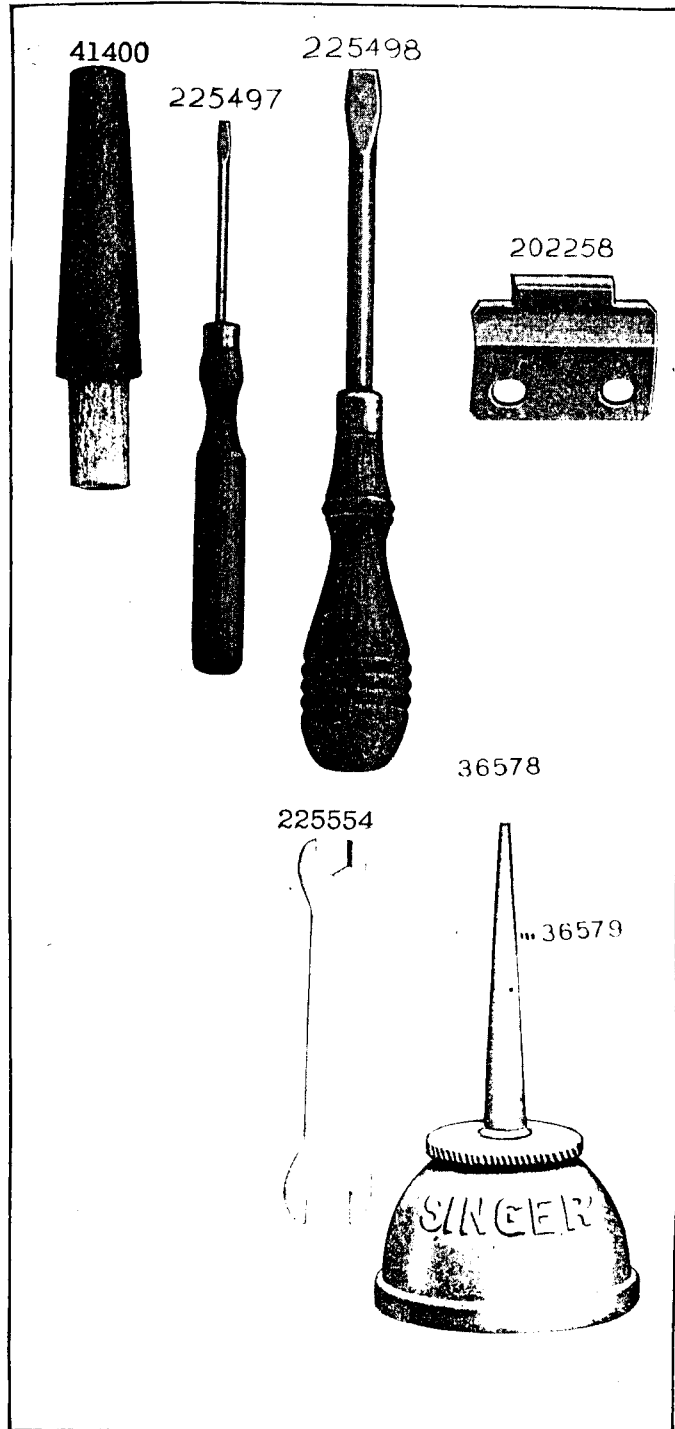


PLATE 14251—ONE-HALF SIZE

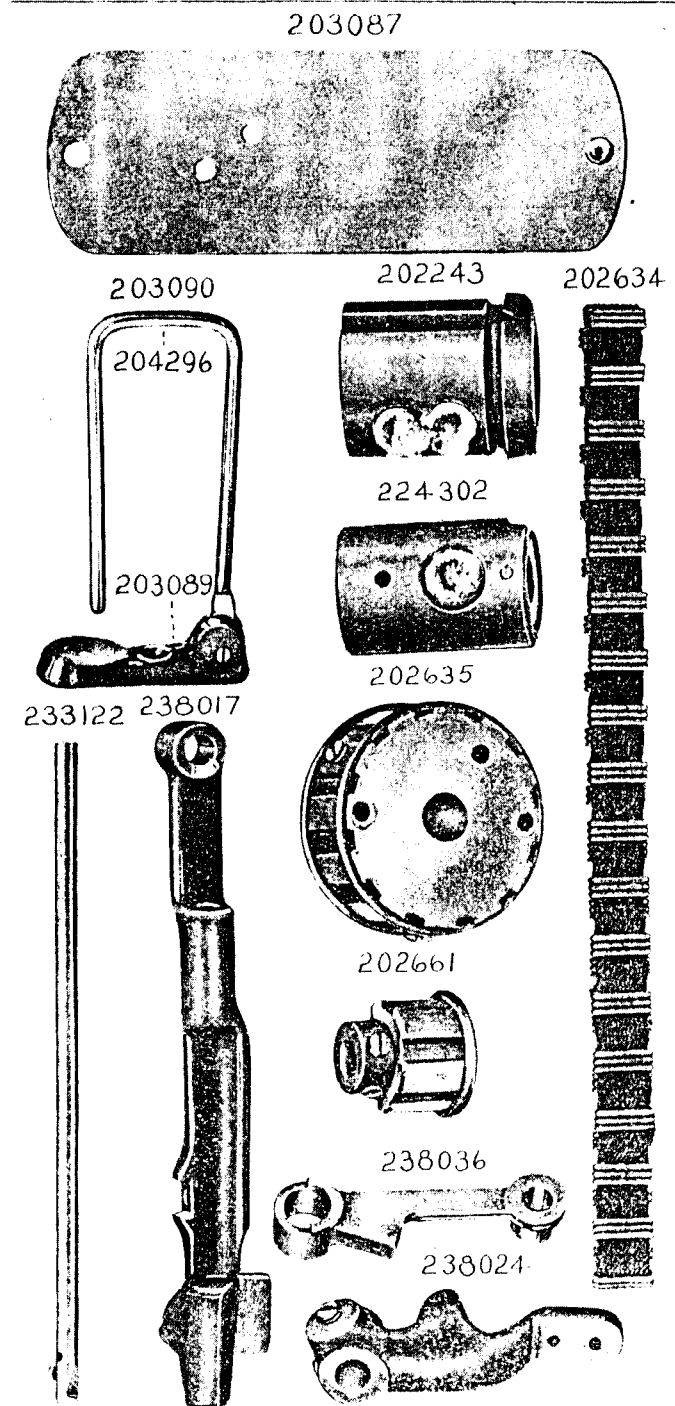


PLATE 14252—FULL SIZE

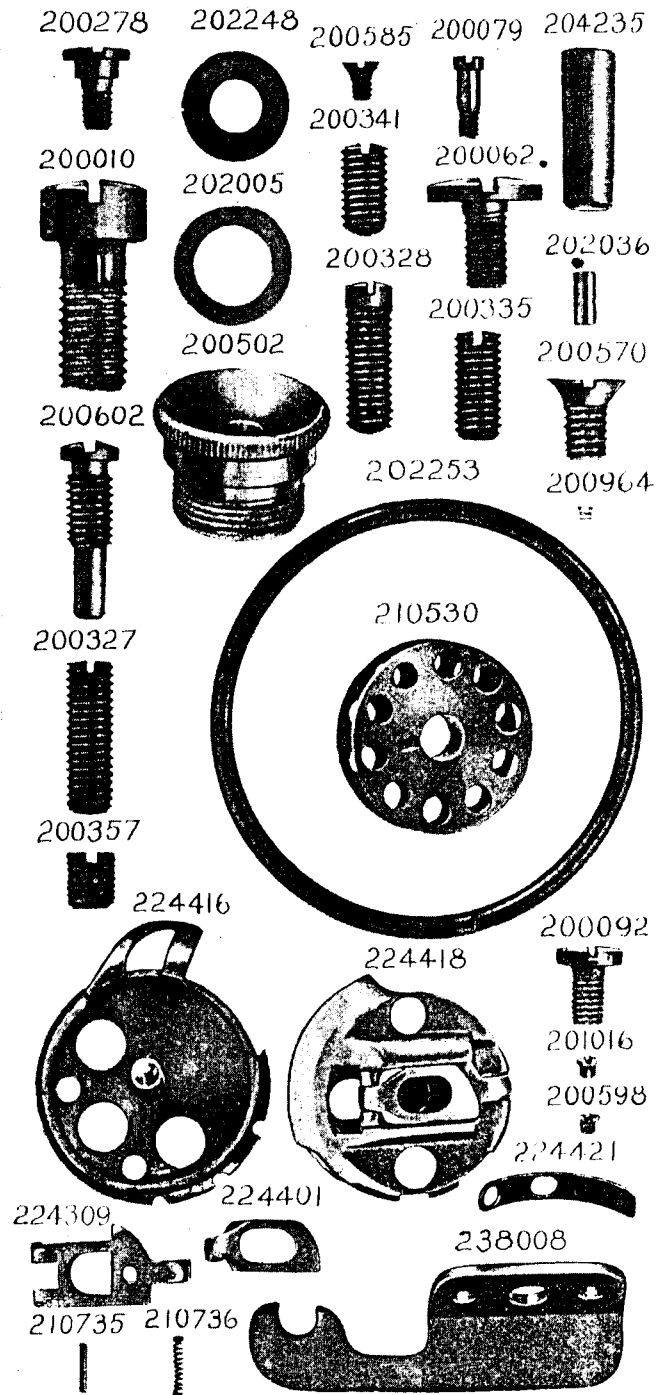


PLATE 14253—ONE-FOURTH SIZE

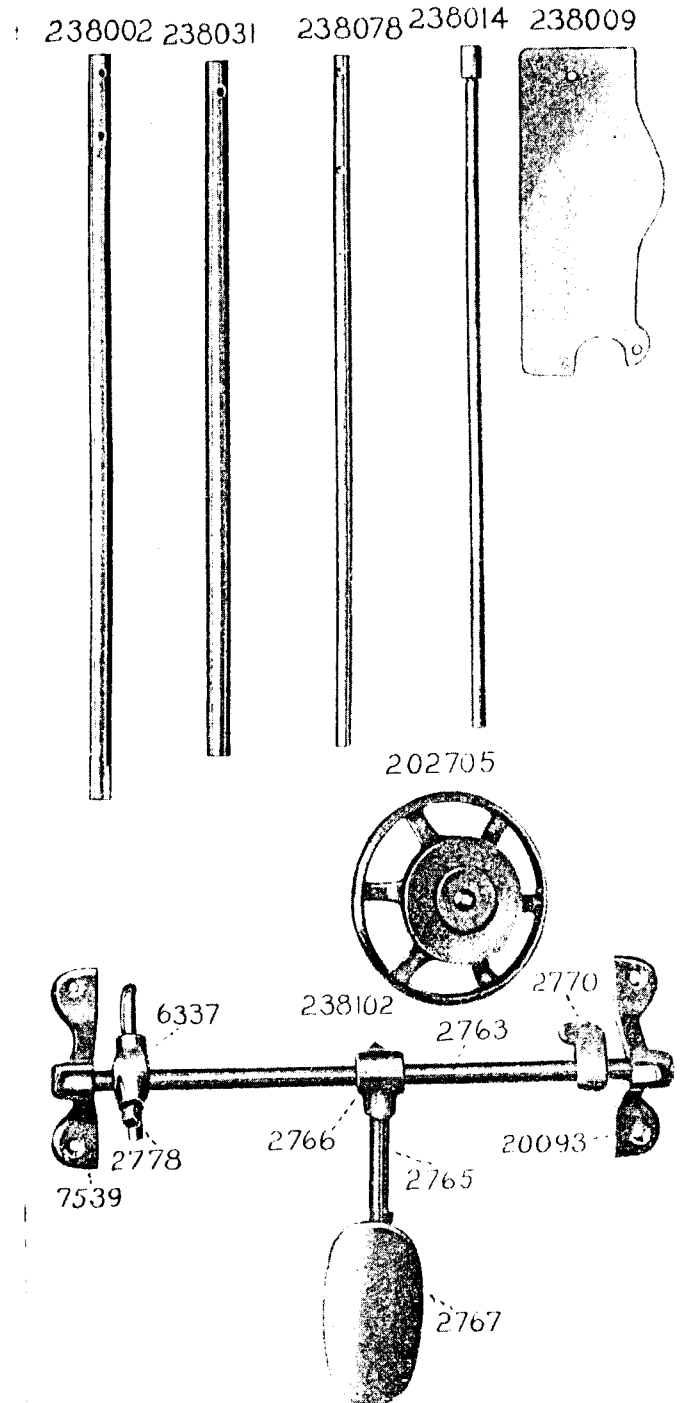


PLATE 14254—FULL SIZE

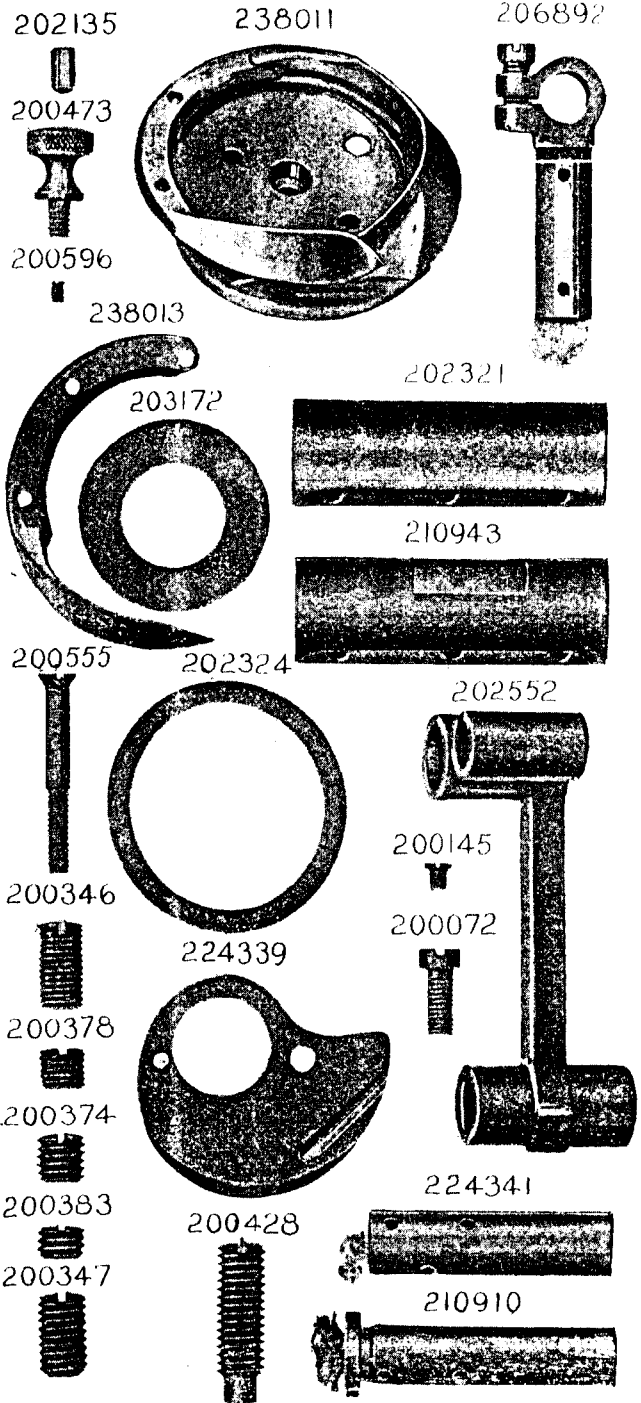


PLATE 14255—ONE-HALF SIZE

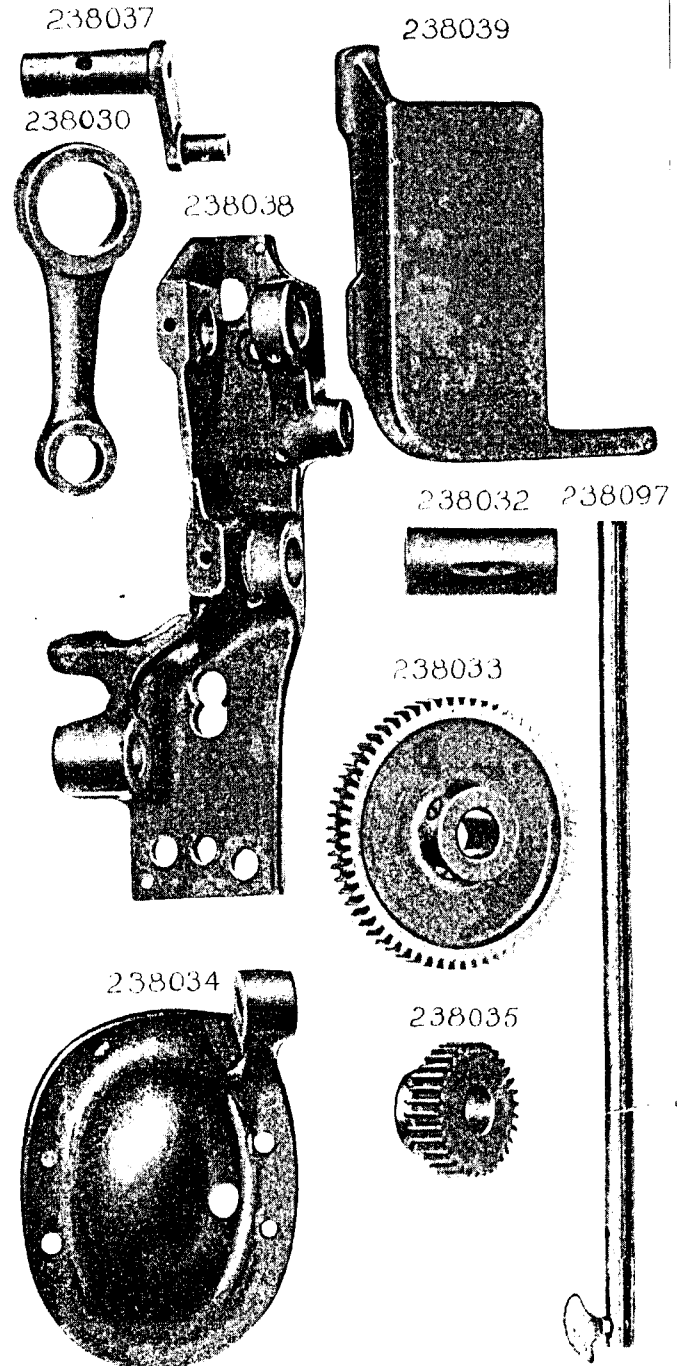


PLATE 14256—FULL SIZE

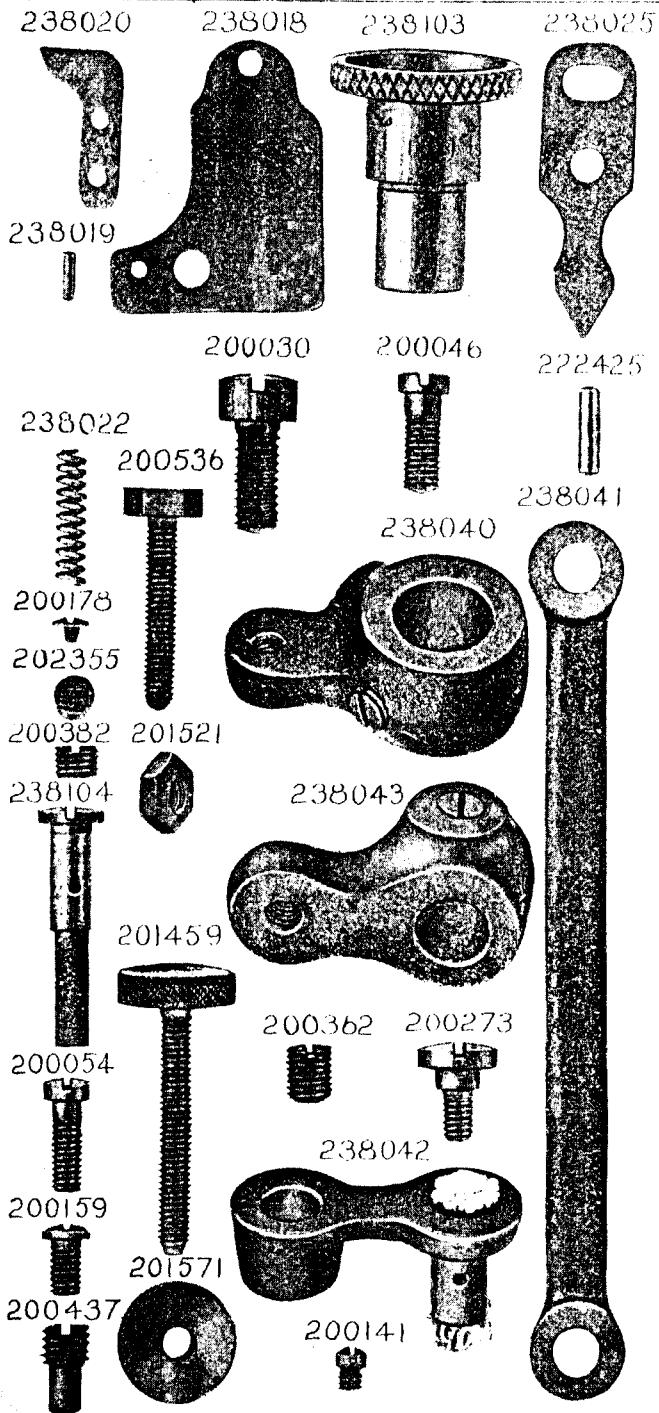


PLATE 14257—ONE-HALF SIZE

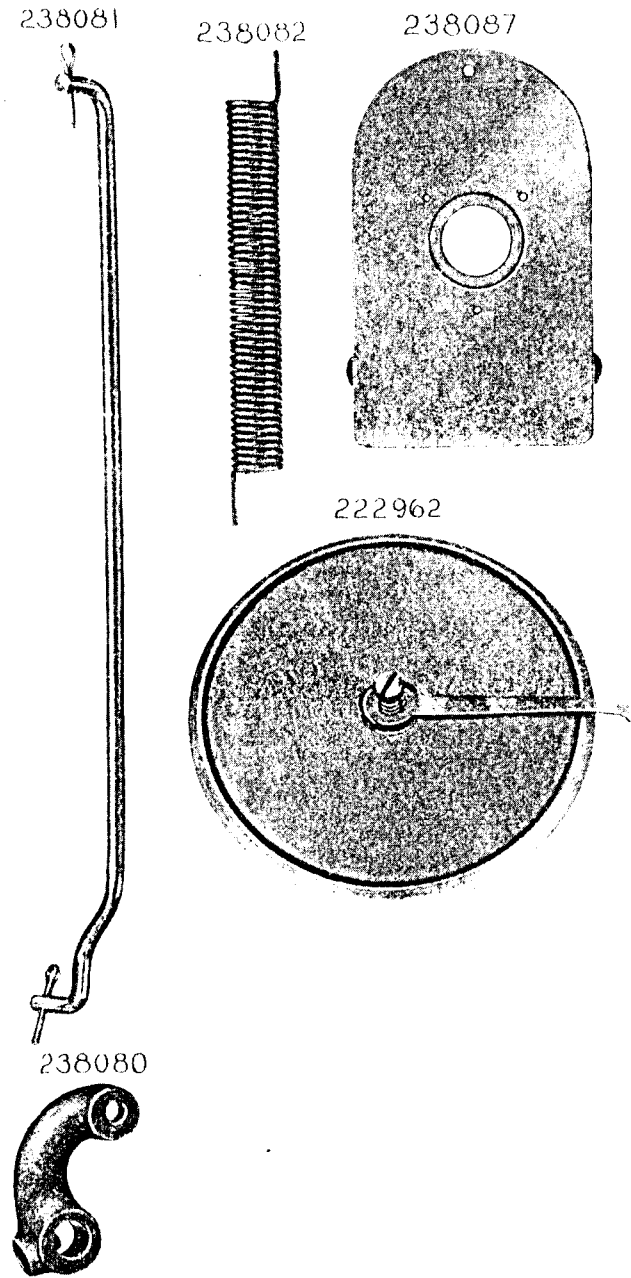


PLATE 14258—FULL SIZE

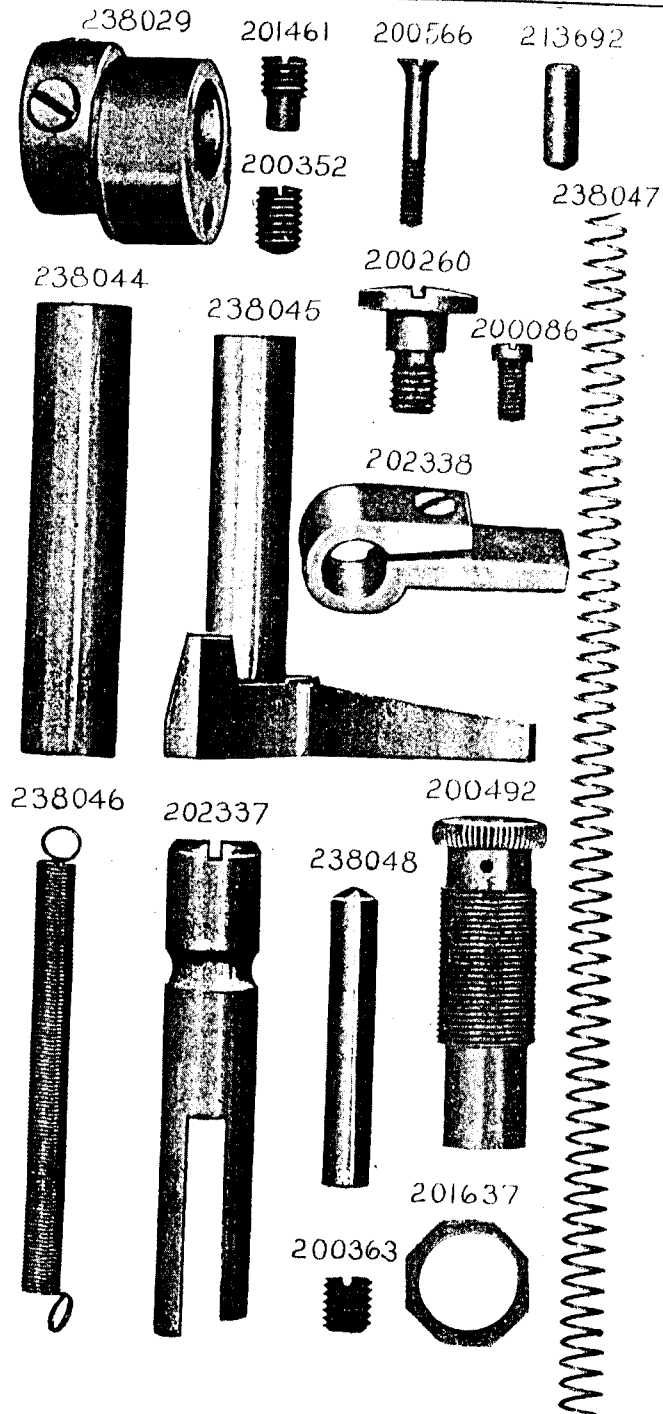


PLATE 14259—FULL SIZE

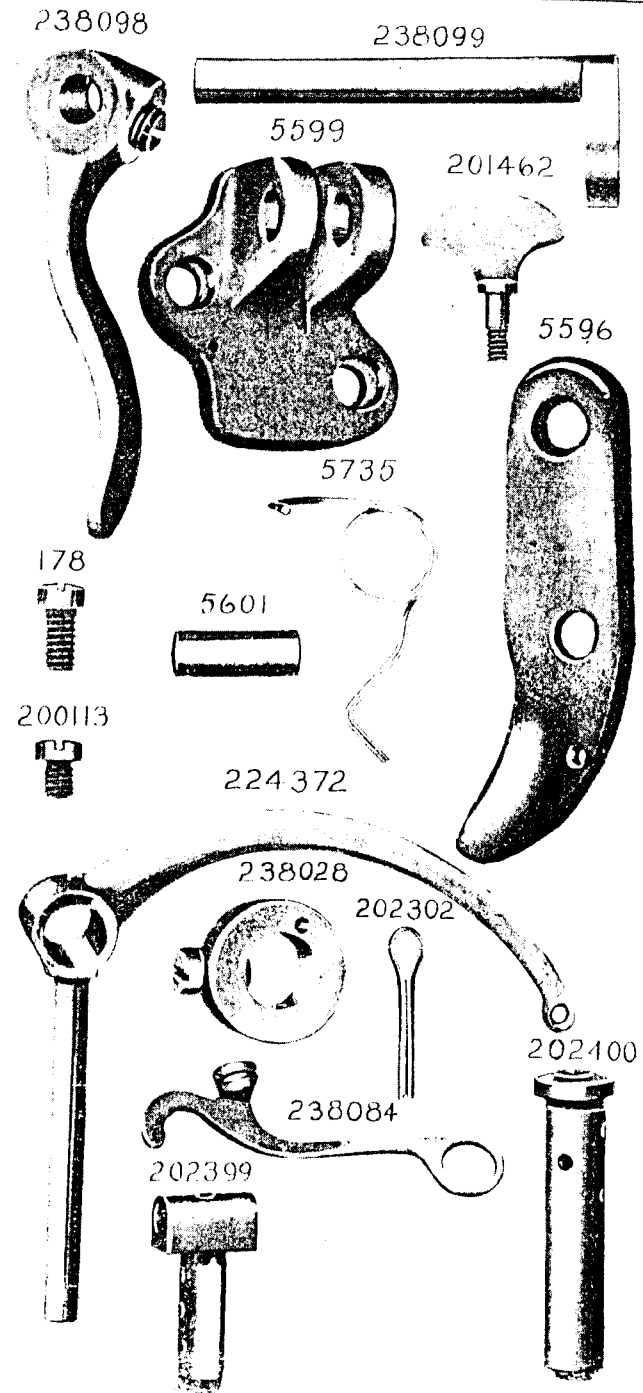


PLATE 14260—FULL SIZE

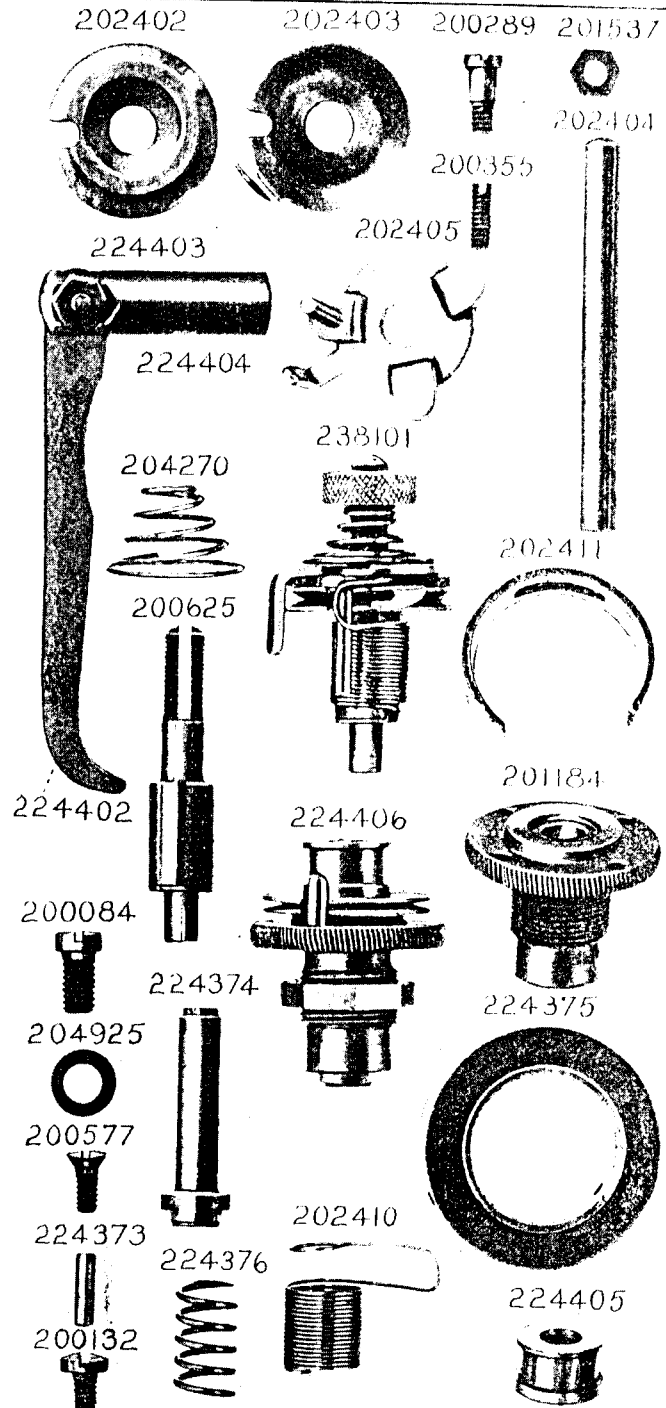


PLATE 14261—FULL SIZE

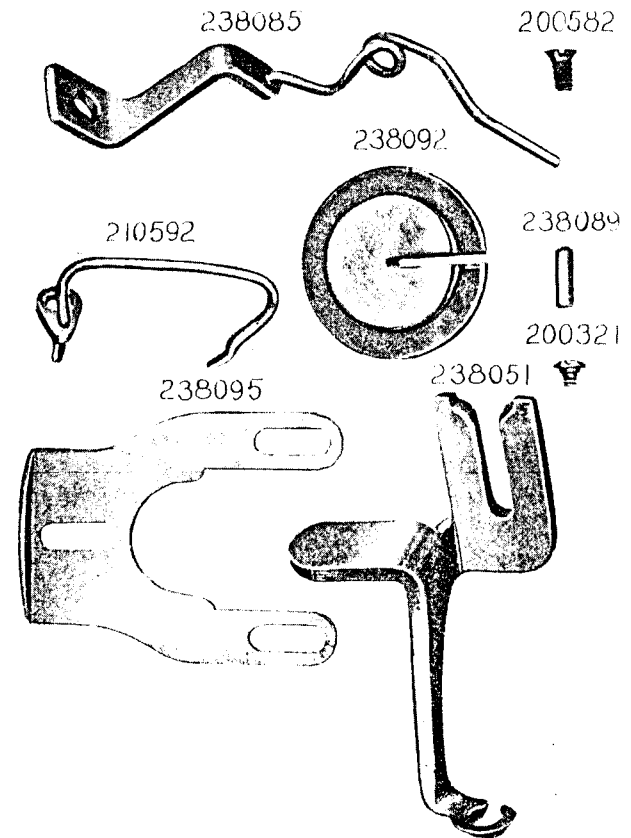




PLATE 14262—FULL SIZE

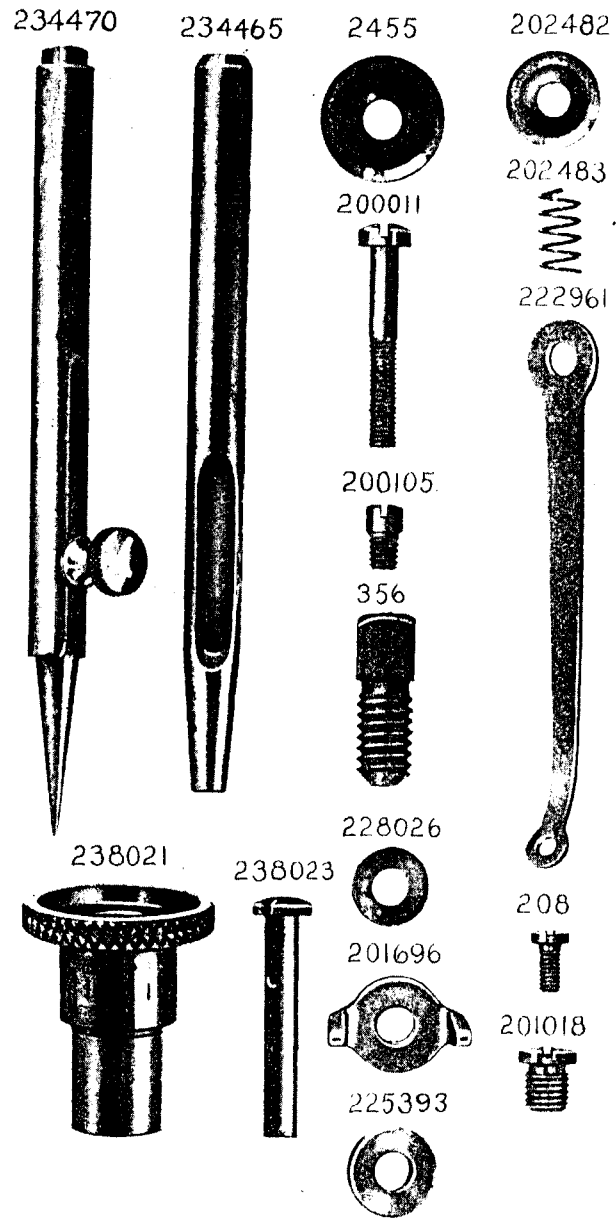
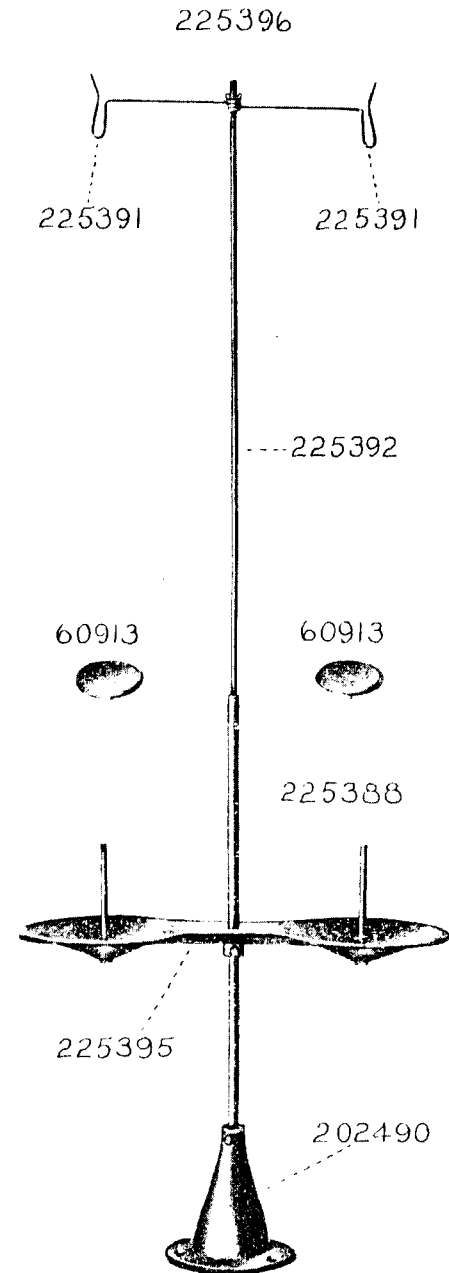


PLATE 14263—ONE-SIXTH SIZE



## Free Manuals Download Website

<http://myh66.com>

<http://usermanuals.us>

<http://www.somanuals.com>

<http://www.4manuals.cc>

<http://www.manual-lib.com>

<http://www.404manual.com>

<http://www.luxmanual.com>

<http://aubethermostatmanual.com>

Golf course search by state

<http://golfingnear.com>

Email search by domain

<http://emailbydomain.com>

Auto manuals search

<http://auto.somanuals.com>

TV manuals search

<http://tv.somanuals.com>