

SINGER[®] XL-5000 Futura top

Sewing Machine XL-5000 LIST OF PARTS

SINGER®

Copyright © 2003 SINGER
ALL Right Reserved Throughout the World
SINGER® is a registered trademark of SINGER Sewing Company Limited.

List of parts

Sewing Machine

XL-5000

Futura top

MACHINE HEAD COMPONENTS

1. COVER AND ACCESSORIES PARTS (1) COMPONENTS	1
2. HANDLE, BH AND REAR PANEL COMPONENTS.....	3
3. DELIVERY COMPONENTS.....	5
4. PRESSER AND DRIVE SHAFT FIXING PLATE COMPONENTS.....	7
5. MAIN SHAFT AND IDLER COMPONENTS.....	9
6. FRONT PANEL AND LCD COMPONENTS.....	11
7. NEEDLE BAR AND NEEDLE THREADER COMPONENTS.....	13
8. FACE PLATE COMPONENTS.....	15
9. NEEDLE PLATE AND LATERAL FEED COMPONENTS.....	17
10. GEAR COVER AND THREAD TRIMMER COMPONENTS.....	19
11. FEED AND HOOK DRIVING SHAFT COMPONENTS.....	21
12. HOOK AND BOBBIN THREAD SUPPLY COMPONENTS.....	23
13. NEEDLE THROWING, THREAD RELEASE AND BOBBIN WINDER COMPONENTS.....	25
14. KNEE LIFTER COMPONENTS.....	27
15. POWER SOURCE AND DRIVE MOTOR COMPONENTS.....	29
16. THREAD CHANGER (1) COMPONENTS.....	31
17. THREAD CHANGER (2) COMPONENTS.....	33
18. ACCESSORIES PARTS (2) AND OPTIONA PARTS COMPON.....	35
19. PACKING MATERIAL COMPONENTS.....	37

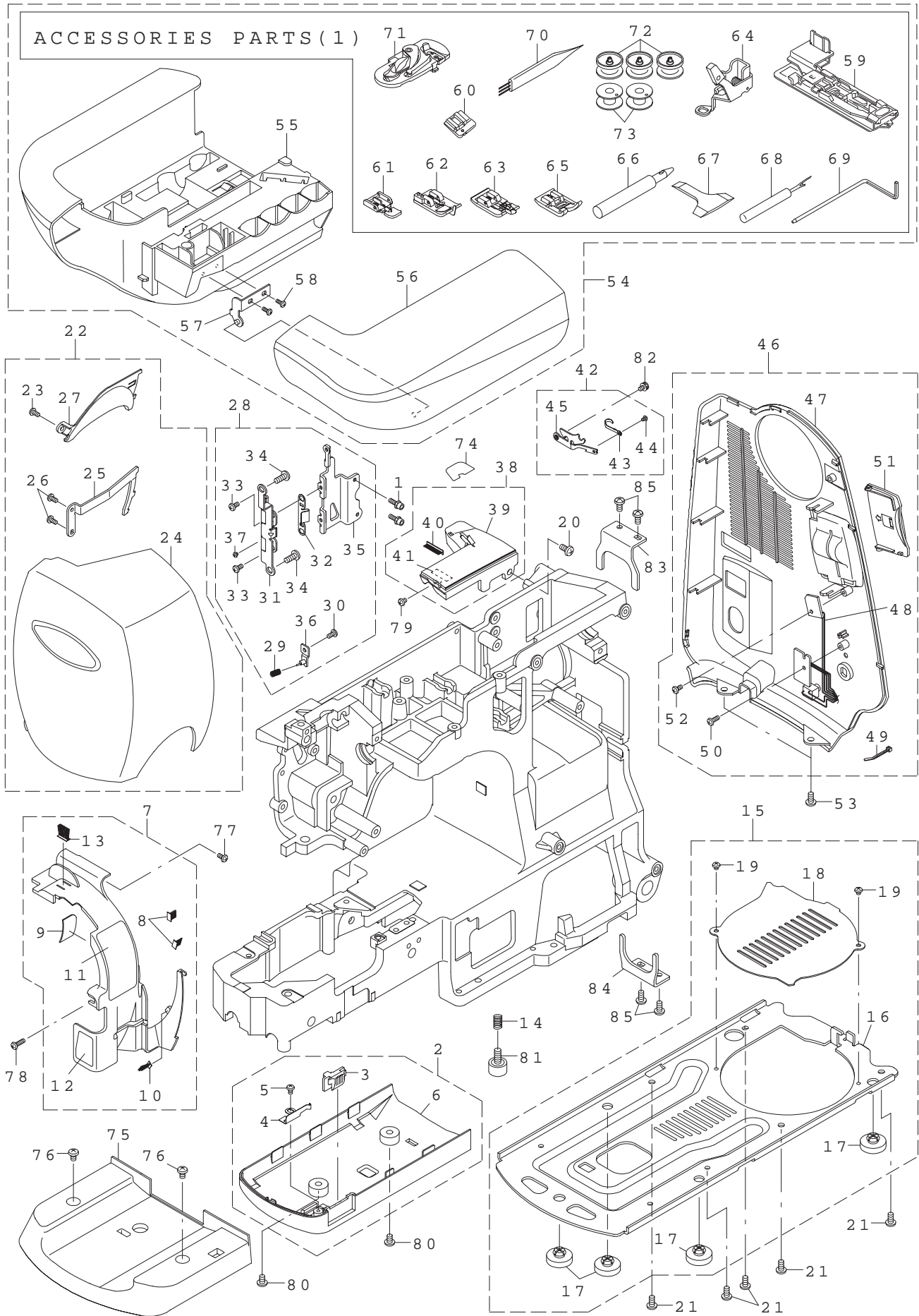
EMBROIDERY UNIT COMPONENTS

20. TOP COVER AND BOTTOM COVER COMPONENTS.....	39
21. Y AXIS DRIVE AND FRAME HOLDER COMPONENTS.....	41
22. X AXIS DRIVE COMPONENTS.....	43
23. ACCESSORIES PARTS COMPONENTS.....	45
24. TABLE OF CHANGED PARTS AND SERIAL NOS. TO WHICH CHANGE-OVER OF PARTS IS EXECUTED (1).....	47
25. TABLE OF CHANGED PARTS AND SERIAL NOS. TO WHICH CHANGE-OVER OF PARTS IS EXECUTED (2).....	48
26. TABLE OF CHANGED PARTS AND SERIAL NOS. TO WHICH CHANGE-OVER OF PARTS IS EXECUTED (3).....	49
27. TABLE OF CHANGED PARTS AND SERIAL NOS. TO WHICH CHANGE-OVER OF PARTS IS EXECUTED (4).....	50

(Remarks)

1. Parts used may be different according to serial Nos.
For the parts to which "#" is written in the part No. column
refer to the list at the end of parts list.
2. The part which has an asterisk (*) before its part number is not separately
available as a spare part so that the accuracy in assembling and smoothness
in component investigation are assured.
Consequently, please place your order using the part number of assembly
containing the part.
3. Parts Nos. described in this parts list are those as of end of OCT. , 2002

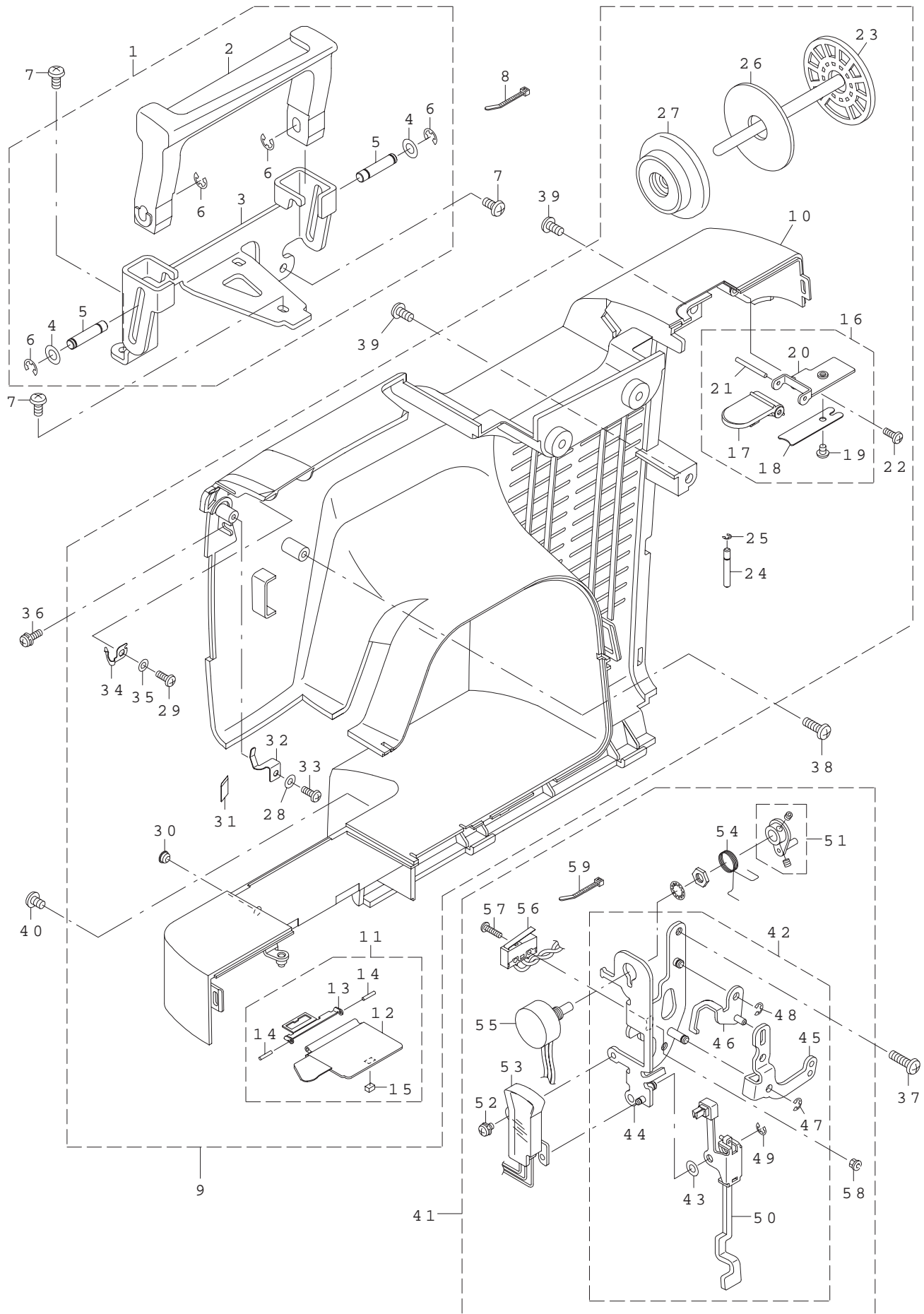
1. COVER AND ACCESSORIES (1) COMPONENTS



REF NO.	NOTE	PART NO.	PART DESCRIPTION	Qty
1		387393	SCREW	2
2		387425	FACE PLATE COVER (ASM.)	1
3		387335	DF KNOB	(1)
4		#1	DF KNOB SPRING	(1)
5		#1	SCREW	(1)
6		#1	FREE ARM UNDER SIDE COVER	(1)
7		#2	FACE PLATE INSIDE COVER (ASM.)	1
8		387772	FACE PLATE TENSION PILE	(2)
9		387775	FACE PLATE INSIDE COVER GUARD	(1)
10		387773	FACE PLATE INSIDE COVER PILE (RIGHT)	(1)
11		387774	FACE PLATE INSIDE COVER CAUTION SEAL	(1)
12		387843	LAMP CAUTION SEAL	(1)
13		387771	FEED BAR PILE	(1)
14		386080	HEIGHT ADJUSTING SPRING	1
15		387445	UNDER SIDE COVER (ASM.)	1
16		387444	UNDER SIDE COVER	(1)
17		387440	RUBBER WASHER	(4)
18		387446	UNDER SIDE COVER	(1)
19		386507	SCREW	(2)
20		283502	SCREW	1
21		283502	SCREW	5
22		387717	FACE PLATE (ASM.)	1
23		386528	SCREW	(1)
24		387716	FACE PLATE	(1)
25		387722	FACE PLATE COVER REINFORCING PLATE	(1)
26		386528	SCREW	(2)
27		387723	FACE PLATE COVER WINDOW	(1)
28		387721	HINGE FIXING PLATE (ASM.)	1
29		387752	NEEDLE THREAD END HOLDING SPRING	(1)
30		386528	SCREW	(1)
31		387718	FACE PLATE HINGE (ASM.)	(1)
32		387719	FACE PLATE COVER SPRING	(1)
33		283491	SCREW	(2)
34		283524	SCREW	(2)
35		387720	HINGE FIXING PLATE	(1)
36		387751	NEEDLE THREAD END HOLDING PLATE (ASM.)	(1)
37		387397	SCREW	(1)
38		387734	BASE TENSION COVER (ASM.)	1
39		387733	BASE TENSION COVER	(1)
40		387726	BASE TENSION COVER PILE	(1)
41		#3	BASE TENSION COVER PILE 2	(1)
42		387786	BOBBIN WINDER THREAD GUIDE (ASM.)	1
43	*	387787	BOBBIN WINDER THREAD GUIDE SPRING	(1)
44	*	283478	SCREW	(1)
45	*	387785	BOBBIN WINDER THREAD GUIDE	(1)
46		388011	BELT COVER (ASM.)	1
47		388010	BELT COVER	(1)
48		387871	CONTROLLER RECEPTACLE (ASM.)	(1)
49		283355	BAND	(1)
50		283522	SCREW	(1)
51		388014	CARD LID	(1)
52		386528	SCREW	(1)
53		283502	SCREW	2
54		387442	AUXILIARY BED (ASM.)	1
55		387441	AUXILIARY BED	(1)
56		387443	AUXILIARY BED COVER	(1)
57		386086	AUXILIARY BED SUPPORTING PLATE (ASM.)	(1)
58		283522	SCREW	(2)
59		388031	BUTTONHOLE FOOT (ASM.)	(1)
60		386015	INVISIBLE ZIPPER FOOT (ASM.)	(1)
61		388032	ZIPPER FOOT (ASM.)	(1)
62		388033	BLINDSTITCH PRESSER FOOT (ASM.)	(1)
63		388034	OVER CASTING FOOT (ASM.)	(1)
64		387336	EMBROIDERY PRESSER FOOT (ASM)	(1)
65		388041	DECORATIVE STITCH FOOT (ASM.)	(1)
66		283392	EYELET PUNCH	(1)
67		283394	SCREWDRIVER	(1)
68		385098	SEAM RIPPER	(1)
69		283401	RULER	(1)
70		283403	BRUSH	(1)
71		388039	THREADING GUIDE (ASM.)	(1)
72		388029	BOBBIN (ASM.)	(2)
73		385096	BOBBIN	(2)
74		387735	BASE TENSION SEAL	1
75		387439	UNDER SIDE COVER	1
76		386520	SCREW	2
77		283471	SCREW	1
78		386520	SCREW	1
79		283488	SCREW	1
80		386520	SCREW	2
81		386087	HEIGHT ADJUSTING SCREW	1
82		283470	SCREW	1
83		#4	BELT GUTE (UPPER)	1
84		#4	BELT GUTE (LOWER)	1
85		#4	SCREW	4

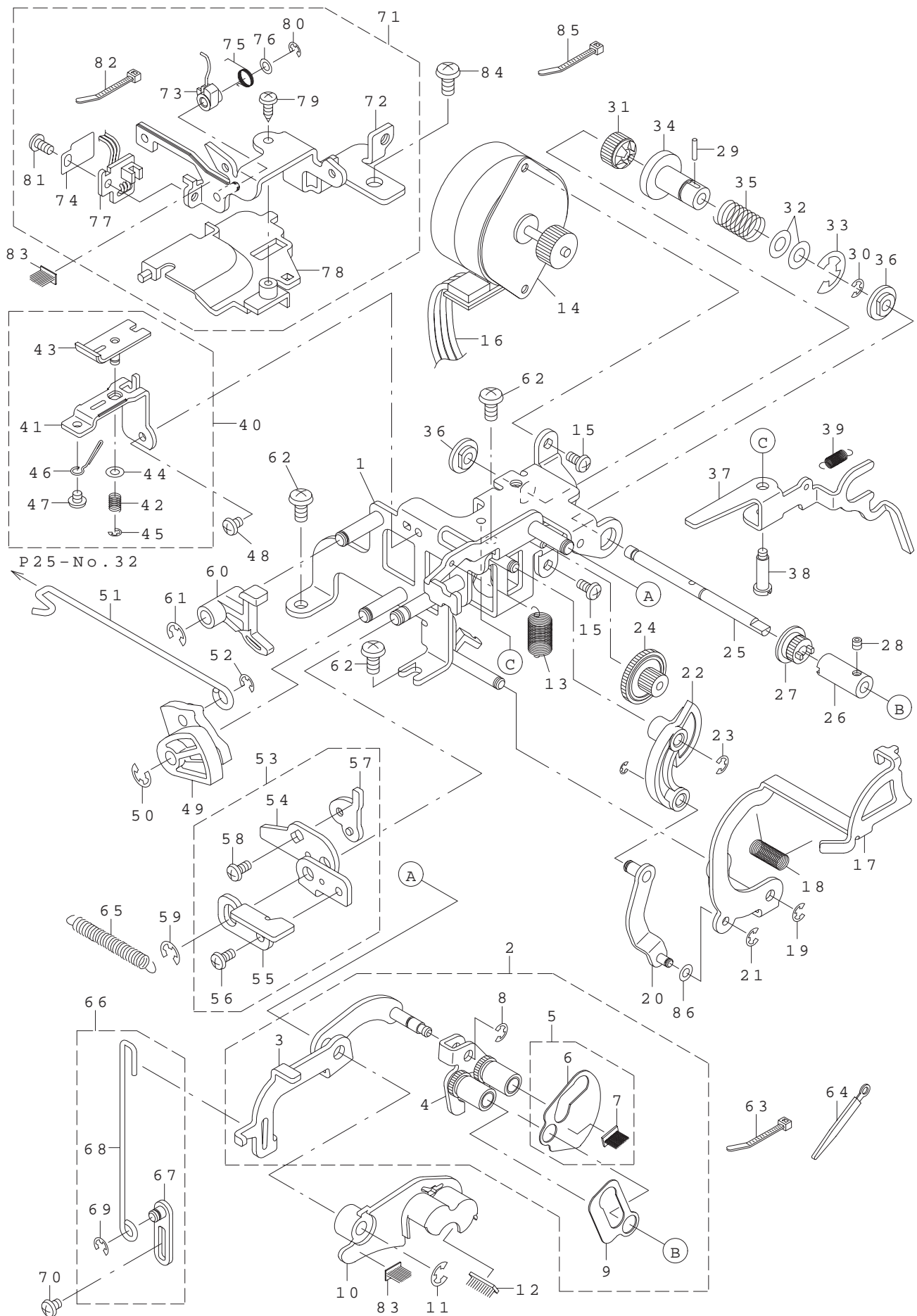
FOR THE PARTS TO WHICH "#" IS WRITTEN IN THE PART NO. COLUMN,
REFER TO THE LIST AT THE END OF PARTS LIST.

2. HANDLE, BH AND REAR PANEL COMPONENTS



REF NO.	NOTE	PART NO.	PART DESCRIPTION	Qty
1		387433	HANDLE (ASM.)	1
2		387432	HANDLE	(1)
3		387434	HANDLE FIXING PLATE	(1)
4		387419	WASHER	(2)
5		387435	HNADLE SHAFT	(2)
6		283460	E RING	(4)
7		283502	SCREW	3
8		387006	BAND	1
9		387825	REAR PANEL (ASM.)	1
10		387824	REAR PANEL	(1)
11		387337	THREAD HOLDING PLATE (ASM.)	(1)
12	*	387826	THREAD HOLDING PLATE COVER	(1)
13	*	387827	THREAD HOLDING PLATE COVER FIXING PLATE	(1)
14	*	387783	PIN	(2)
15		387838	THREAD HOLDING PLATE COVER MAGNET	(1)
16		387832	BOBBIN WINDER SHAFT COVER (ASM.)	(1)
17		387831	BOBBIN WINDER SHAFT COVER	(1)
18		387833	BOBBIN WINDER SHAFT COVER SPRING	(1)
19		283487	SCREW	(1)
20		387834	BOBBIN WINDER SHAFT COVER FIXING PLATE	(1)
21		387835	BOBBIN WINDER SHAFT COVER PIN	(1)
22		283522	SCREW	(1)
23		387828	THREAD STAND POST	(1)
24		387829	THREAD STAND POST SHAFT	(1)
25		283458	E RING	(1)
26		387830	FELT	(1)
27		387437	BOBBIN WINDER SEAT (UPPER)(ASM.)	(1)
28		387150	WASHER	(1)
29		283522	SCREW	(1)
30		387839	PANEL CAP	(1)
31		387338	TOP THREADING CUTTER	(1)
32		387836	STOPPING PLATE	(1)
33		283522	SCREW	(1)
34		387837	THREADING THREAD GUIDE	(1)
35		387150	WASHER	(1)
36		283472	SCREW	1
37		387142	SCREW	1
38		387154	SCREW	1
39		283502	SCREW	2
40		283500	SCREW	1
41		387693	BH SWITCH FIXING PLATE (TOTAL ASM.)	1
42		387692	BH SWITCH FIXING PLATE (PARTIAL ASM.)	(1)
43		283459	E RING	(1)
44		387691	BH SWITCH FIXING PLATE (ASM.)	(1)
45		387694	AUXILIARY ROLLER FLOAT PLATE	(1)
46		387696	PRESSER LIFT SWITCH WORKING PLATE (ASM.)	(1)
47		283459	E RING	(1)
48		283459	E RING	(1)
49		283528	WASHER	(1)
50		387700	BH CHANGE-OVER PLATE (ASM.)	(1)
51		387702	POTENTIOMETER ARM SETSCREW	(1)
52		283469	SCREW	(1)
53		387701	BH SWITCH (ASM.)	(1)
54		387703	POTENTIOMETER SPRING	(1)
55		387704	POTENTIOMETER (ASM.)	(1)
56		387744	PRESSER LIFT SWITCH (ASM.)	(1)
57		283485	SCREW	(1)
58		283217	LOCKNUT	(1)
59		283355	BAND	(1)

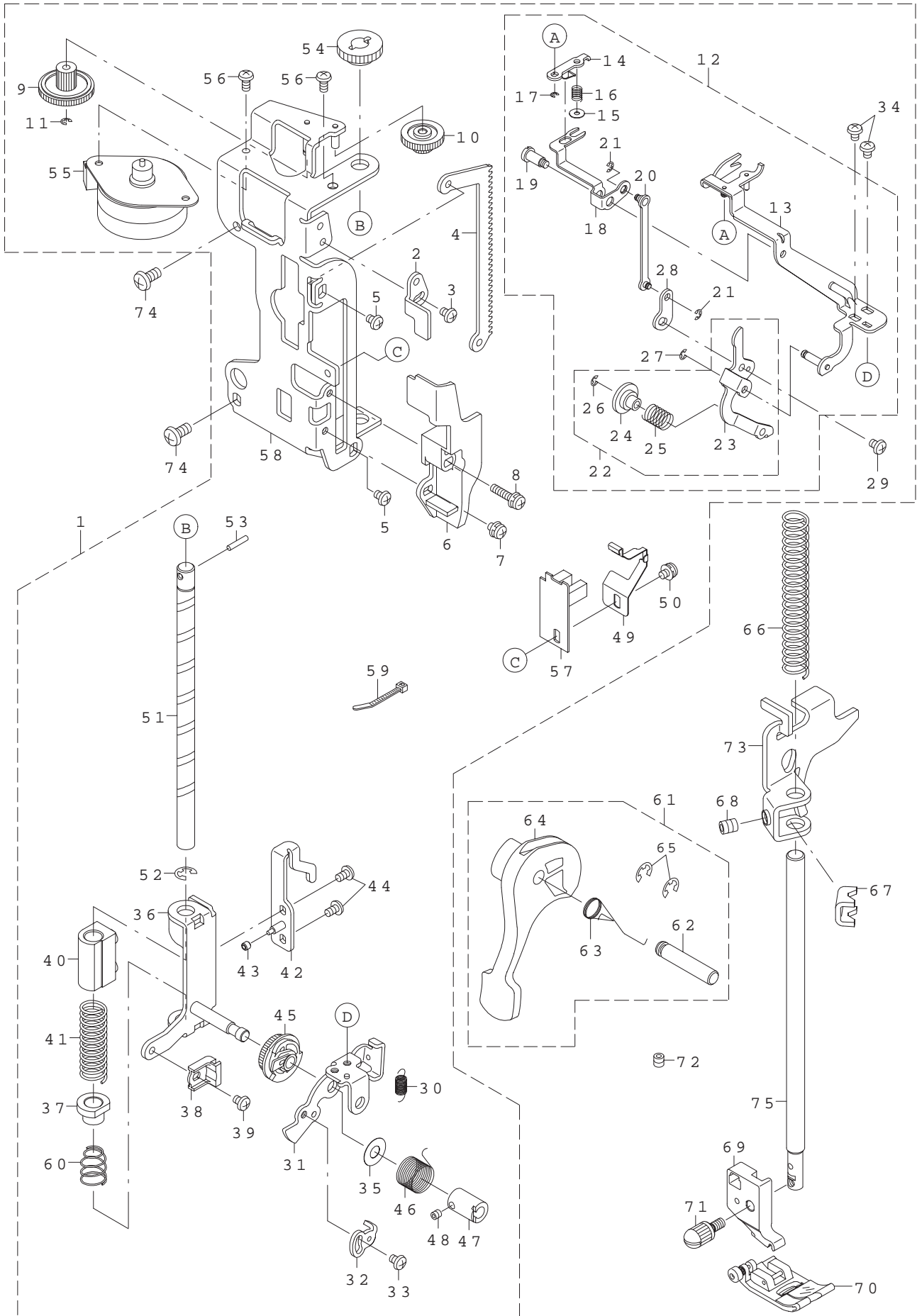
3. DELIVERY COMPONENTS



REF NO.	NOTE	PART NO.	PART DESCRIPTION	Qty
1		387663	DELIVERY STM FIXING PLATE (ASM.)	1
2		387665	AUXILIARY ROLLER ARM (TOTAL ASM.)	1
3		387664	AUXILIARY ROLLER ARM (ASM.)	(1)
4		387666	AUXILIARY ROLLER FIXING PLATE (ASM.)	(1)
5		387671	ROLLER GEAR GUIDE A (ASM.)	(1)
6	*	387670	ROLLER GEAR GUIDE A	(1)
7		387673	ROLLER GEAR GUIDE A PILE	(1)
8		283459	E RING	(1)
9		387672	ROLLER GEAR GUIDE B	(1)
10		387667	DELIVERY ROLLER THREAD GUIDE	1
11		283460	E RING	1
12		387689	DELIVERY ROLLER THREAD GUIDE PILE	1
13		387668	AUXILIARY ROLLER ARM SPRING	1
14		387339	DELIVERY STM	1
15		283491	SCREW	2
16		387669	DELIVERY STM RELAY LEAD WIRE (ASM.)	1
17		#10	THREADING BODY	1
18		387675	THREADING BODY SPRING	1
19		283459	E RING	1
20		387676	THREADING BODY LINK (ASM.)	1
21		283459	E RING	1
22		387677	THREADING WORKING BODY	1
23		283459	E RING	1
24		387678	THREADING BODY INTERMEDIATE GEAR	1
25		387679	DELIVERY ROLLER SHAFT	1
26		387681	DELIVERY ROLLER	1
27		387682	DELIVERY ROLLER GEAR	1
28		283506	SCREW	1
29		387783	PIN	1
30		283459	E RING	1
31		387683	THREADING BODY DRIVE GEAR	1
32		387690	THREADING BODY DRIVE GEAR WASHER	2
33		283463	E RING	1
34		387684	DELIVERY DRIVE GEAR	1
35		387685	DELIVERY DRIVE GEAR SPRING	1
36		387680	DELIVERY ROLLER BEARING	2
37		387686	DELIVERY STM CHANGE-OVER PLATE	1
38		387687	HINGE SCREW	1
39		387688	SPRING	1
40		387728	BASE TENSION (ASM.)	1
41	*	387727	BASE TENSION	(1)
42	*	387730	BASE TENSION SPRING	(1)
43	*	387729	BASE TENSION DISK (ASM.)	(1)
44	*	387415	WASHER	(1)
45	*	283458	E RING	(2)
46	*	387731	BASE TENSION CLICK	(1)
47	*	283486	SCREW	(1)
48		283488	SCREW	1
49		387736	THREAD RELEASE CAM (ASM.)	1
50		283460	E RING	1
51		387749	THREAD RELEASE LINK (UPPER)	1
52		283459	E RING	1
53		387739	THREAD RELEASE PLATE (ASM.)	1
54	*	387738	THREAD RELEASE PLATE	(1)
55	*	387740	THREAD RELEASE ADJUST PLATE	(1)
56	*	385339	SCREW	(1)
57	*	387741	THREAD RELEASE CHANGE-OVER ADJUST PLATE	(1)
58	*	385339	SCREW	(1)
59		283460	E RING	1
60		387732	BASE TENSION FLOAT	1
61		283460	E RING	1
62		283502	SCREW	3
63		387006	BAND	1
64		283322	CORD HOLDER	1
65		283073	THREAD RELEASE CAM SPRING	1
66		387698	AUXILIARY ROLLER FLOAT LINK (ASM.)	1
67	*	387695	AUXILIARY ROLLER FLOAT ADJUST PLATE (ASM.)	(1)
68	*	387697	AUXILIARY ROLLER FLOAT LINK	(1)
69	*	283459	E RING	(1)
70		283488	SCREW	1
71		388119	THREAD GUIDE NO.1.(TOTAL ASM)	1
72		#9	THREAD GUIDE NO. 1 (ASM.)	(1)
73		#9	NEEDLE THREAD DETECTION SHIELD PLATE	(1)
74		#9	NEEDLE THREAD DETECT CIRCUIT BOARD INSULATED SHEET	(1)
75		388001	SHILED PLATE SPRING	(1)
76		387415	WASHER	(1)
77		#9	NEEDLE THREAD DETECT CIRCUIT BOARD (ASM.)	(1)
78		387743	THREAD GUIDE NO. 1 COVER	(1)
79		283522	SCREW	(1)
80		387388	E RING	(1)
81		283491	SCREW	(1)
82		387006	BAND	(1)
83		#3	DELIVERY ROLLER THREAD GUIDE PILE A	2
84		283502	SCREW	1
85		283355	BAND	1
86		387151	WASHER	1

FOR THE PARTS TO WHICH "#" IS WRITTEN IN THE PART NO. COLUMN,
REFER TO THE LIST AT THE END OF PARTS LIST.

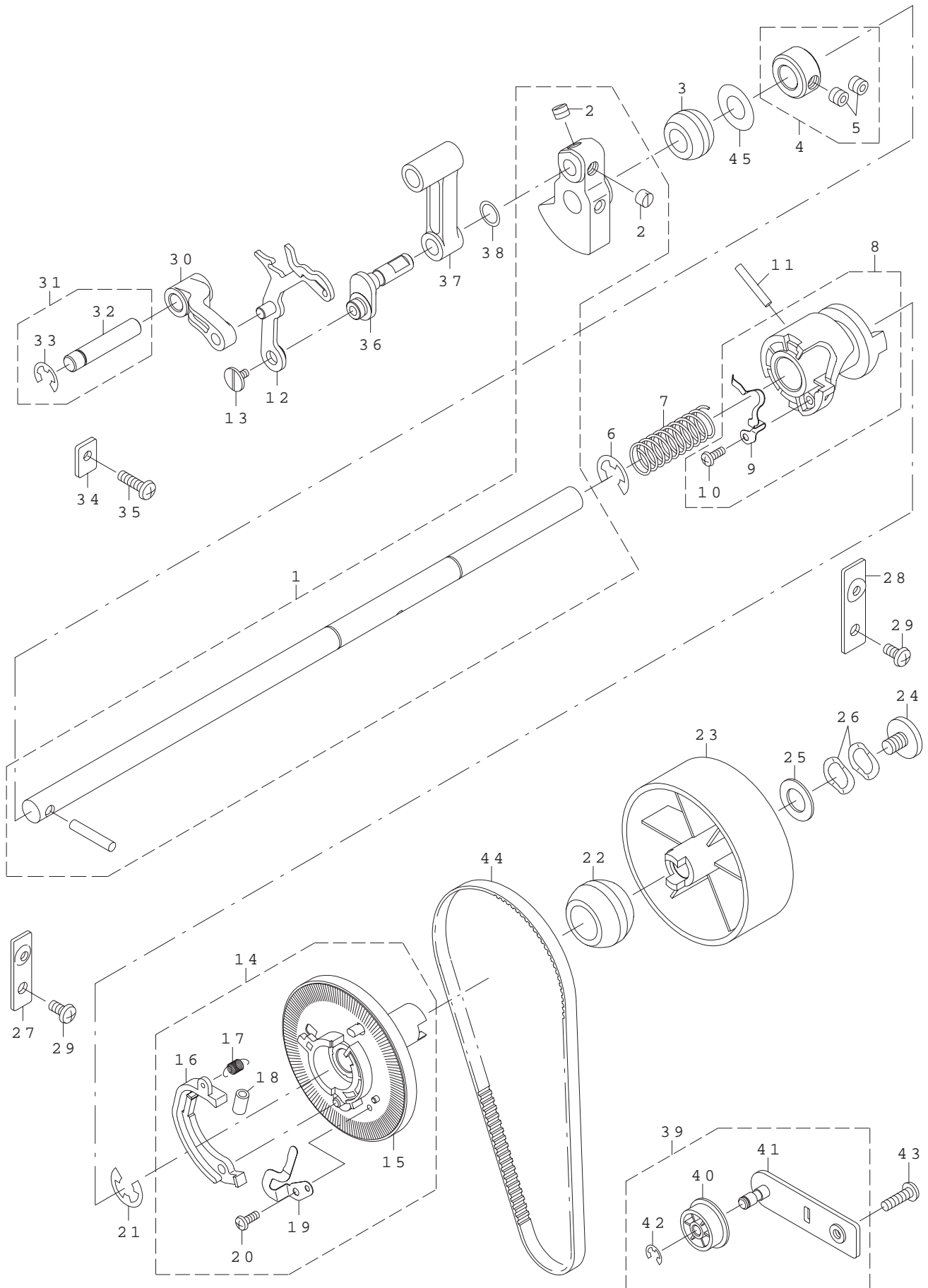
4. PRESSER AND DRIVE SHAFT FIXING PLATE COMPONENTS



REF NO.	NOTE	PART NO.	PART DESCRIPTION	Qty
1		#7	DRIVE SHAFT FIXING PLATE (TOTAL ASM.)	1
2		387614	HOLDING PRESSURE CHANGE-OVER CONTACT PLATE	(1)
3		283489	SCREW	(1)
4		387615	DRIVE RACK	(1)
5		283489	SCREW	(2)
6		387616	TOP THREAD TRANSFER BODY CONTROL CAM	(1)
7		386495	SCREW	(1)
8		387390	SCREW	(1)
9		387617	TOP THREAD TRANSFER INTERMEDIATE GEAR A	(1)
10		387618	TOP THREAD TRANSFER INTERMEDIATE GEAR B	(1)
11		283458	E RING	(2)
12		387341	TOP THREAD TRANSFER BODY (TOTAL ASM.)	(1)
13	*	387619	TOP THREAD TRANSFER BODY (ASM.)	(1)
14	*	387622	THREAD PRESSER (ASM.)	(1)
15	*	387647	THREAD PRESSER WASHER	(1)
16	*	387643	THREAD PRESSER SPRING	(1)
17	*	387386	E RING	(1)
18	*	387624	HOLDING PRESSURE CHANGE-OVER PLATE	(1)
19	*	387623	HINGE SCREW	(1)
20	*	387625	HOLDING PRESSURE CHANGE-OVER LINK (ASM.)	(1)
21	*	283458	E RING	(2)
22		387627	CHANGE-OVER WORKING PLATE (TOTAL ASM.)	(1)
23	*	#5	CHANGE-OVER WORKING PLATE (ASM.)	(1)
24	*	#5	HOLDING PRESSURE CHANGE-OVER ROLLER	(1)
25	*	#5	CHANGE-OVER ROLLER SPRING	(1)
26	*	#5	E RING	(1)
27	*	283458	E RING	(1)
28	*	387630	HOLDING PRESSURE CHANGE-OVER ADJUST PLATE	(1)
29		283489	SCREW	(1)
30		387631	CHANGE-OVER WORKING PLATE SPRING	(1)
31		387620	TOP THREAD TRANSFER BODY FULCRUM BASE	(1)
32		387621	TOP THREAD TRANSFER BODY STOPPER	(1)
33		283489	SCREW	(1)
34		283489	SCREW	(2)
35		387649	WASHER	(1)
36		387632	EXTERNAL WORKING BODY (ASM.)	(1)
37		#6	EXTERNAL WORKING BODY BEARING	(1)
38		387633	EXTERNAL WORKING BODY GUIDE	(1)
39		387650	SCREW	(1)
40		#6	INTERNAL WORKING BODY	(1)
41		#6	WORKING BODY SPRING	(1)
42		#7	THREADING WORKING PLATE (ASM.)	(1)
43		387637	WORKING BODY ROLLER	(1)
44		387411	SCREW	(2)
45		387638	TOP THREAD TRANSFER BODY CAM	(1)
46		387639	TOP THREAD TRANSFER BODY SPRING	(1)
47		387640	TOP THREAD TRANSFER COLLAR	(1)
48		283506	SCREW	(1)
49		387644	THREAD TRANSFER BODY DETECT BOARD GUIDE	(1)
50		386495	SCREW	(1)
51		387641	THREAD TRANSFER BODY DRIVE SHAFT	(1)
52		283460	E RING	(1)
53		387382	THREAD TRANSFER BODY DRIVE SHAFT PIN	(1)
54		387642	THREAD TRANSFER BODY DRIVE SHAFT GEAR	(1)
55		387645	THREADING STM	(1)
56		283491	SCREW	(2)
57		387646	THREAD TRANSFER BODY DETECT CIRCUIT BOARD (ASM.)	(1)
58		387613	DRIVE SHAFT FIXING PLATE (ASM.)	(1)
59		387006	BAND	(1)
60		#6	WORKING BODY SPRING (LOWER)	(1)
61		387502	LIFTING LEVER (ASM.)	1
62		#8	LIFTING LEVER SHAFT	(1)
63		383883	LIFTING LEVER SPRING	(1)
64		#8	LIFTING LEVER	(1)
65		#8	E RING	(2)
66		387500	PRESSER SPRING	1
67		283097	POSITION BRACKET SETSCREW HOLDER	1
68		283515	SCREW	1
69		387505	PRESSER HOLDER (ASM.)	1
70		387506	STANDARD PRESSER FOOT	1
71		386143	SCREW	1
72		283511	SCREW	1
73		387503	PRESSER BAR GUIDE	1
74		283502	SCREW	2
75		387499	PRESSER BAR	1

FOR THE PARTS TO WHICH "#" IS WRITTEN IN THE PART NO. COLUMN,
REFER TO THE LIST AT THE END OF PARTS LIST.

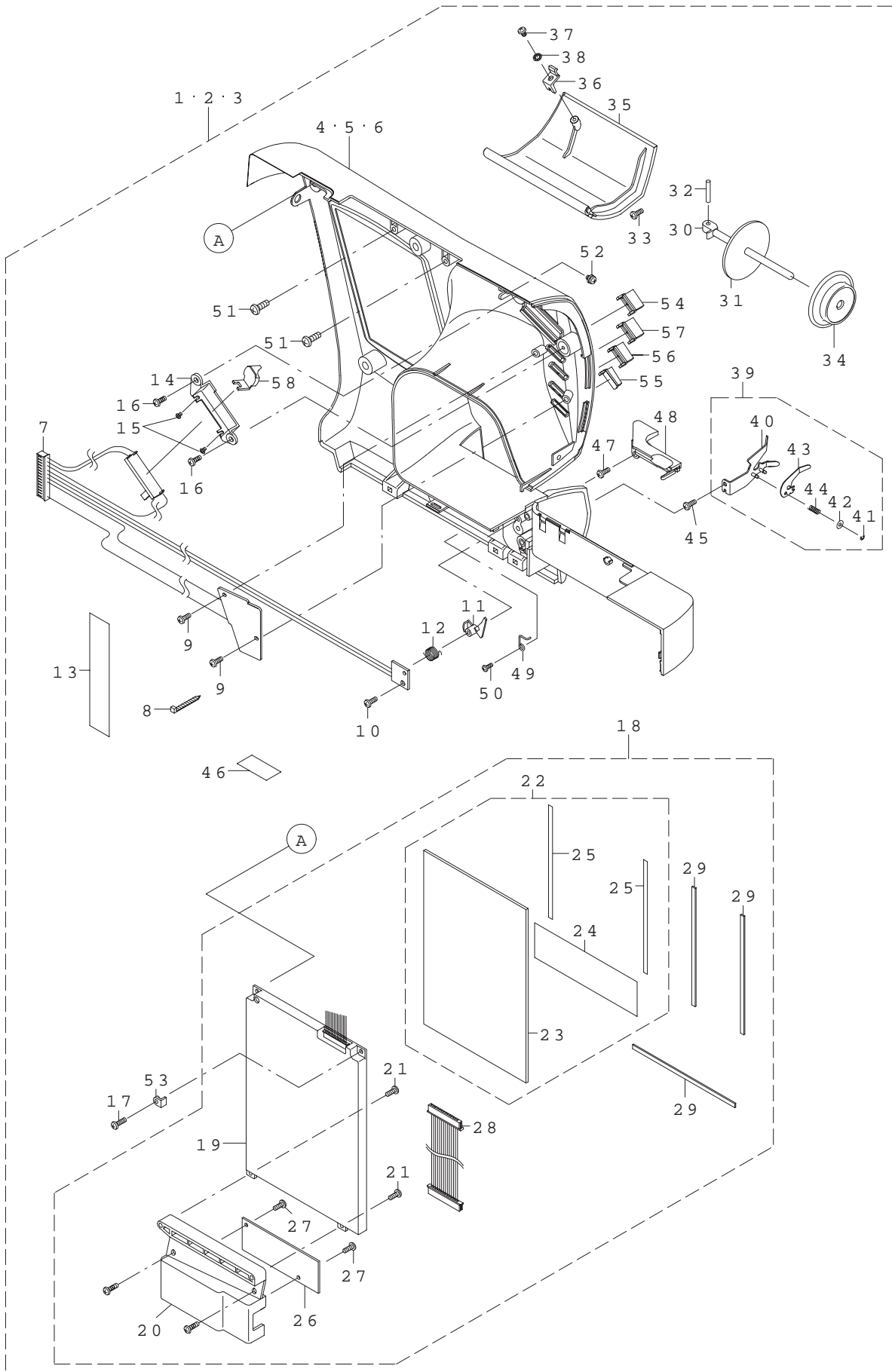
5. MAIN SHAFT AND IDLER COMPONENTS



REF NO.	NOTE	PART NO.	PART DESCRIPTION	Qty
1		387447	MAIN SHAFT (ASM.)	1
2		387409	SCREW	(2)
3		283045	MAIN SHAFT BUSHING	1
4		386095	MAIN SHAFT THRUST COLLAR (ASM.)	1
5		386523	SCREW	(2)
6		283464	E RING	1
7		387450	DISENGAGING CAM SPRING	1
8		387452	MAIN SHAFT DISENGAGING CAM (ASM.)	1
9		387453	MAIN SHAFT DISENGAGING STOPPER SPRING	(1)
10		283522	SCREW	(1)
11		387454	MAIN SHAFT DISENGAGING CAM PIN	1
12		387608	THREAD TAKE-UP BODY (ASM.)	1
13		283051	ENDSCREW (LEFT)	1
14	*	387457	MAIN SHAFT PULLEY (ASM.)	1
15	*	387456	MAIN SHAFT PULLEY	(1)
16	*	387459	MAIN SHAFT DISENGAGING BUFFER LINK	(1)
17	*	387460	MAIN SHAFT DISENGAGING BUFFER SPRING	(1)
18	*	387464	BUFFER MATERIAL	(1)
19	*	387461	MAIN SHAFT DISENGAGING CAM LATCH SPRING	(1)
20	*	283522	SCREW	(1)
21		283464	E RING	1
22		387451	MAIN SHAFT BUSHING (REAR)	1
23		387458	HAND WHEEL	1
24		283054	SCREW	1
25		387462	WASHER	1
26		387715	SPRING WASHER	2
27		283046	MAIN SHAFT BUSHING RETAINING PLATE	1
28		387463	MAIN SHAFT BUSHING RETAINING PLATE (REAR)	1
29		283502	SCREW	2
30		387611	THREAD TAKE-UP SUPPORT	1
31		387610	TAKE-UP SUPPORTING SHAFT (ASM.)	1
32		387609	THREAD TAKE-UP LEVER SUPPORTING SHAFT	(1)
33		283462	E RING	(1)
34		387612	TAKE-UP SUPPORTING SHAFT RETAINING PLATE	1
35		387142	SCREW	1
36		387448	NEEDLE BAR CRANK	1
37		387468	NEEDLE BAR CRANK ROD	1
38		#13	WASHER	1
39		388024	IDLER (ASM.)	1
40	*	388023	IDLER	(1)
41	*	388025	IDLER FIXING PLATE (ASM.)	(1)
42	*	283460	E RING	(1)
43		387404	SCREW	1
44		388017	TIMING BELT (LARGE)	1
45		387455	MAIN SHAFT THRUST SPRING WASHER	1

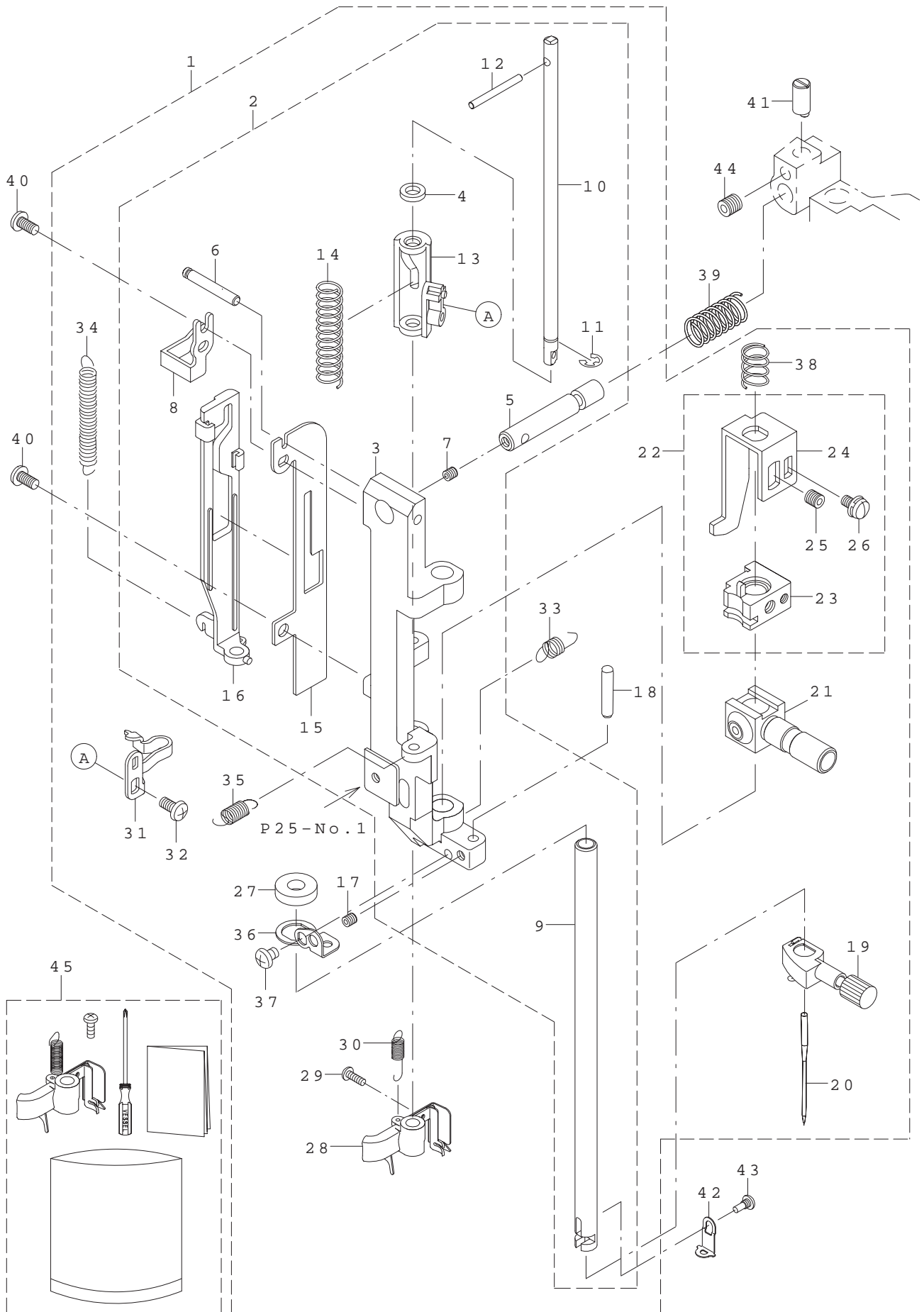
FOR THE PARTS TO WHICH "#" IS WRITTEN IN THE PART NO. COLUMN,
REFER TO THE LIST AT THE END OF PARTS LIST.

6. FRONT PANEL AND LCD COMPONENTS



REF NO.	NOTE	PART NO.	PART DESCRIPTION	Qty
1		387845	FRONT PANEL (ASM.) "QUANTUM"	1
2		388089	FRONT PANEL (ASM.) "PROFESSIONAL"	1
3		388113	FRONT PANEL (ASM.) "FUTURA TOP"	1
4		387844	FRONT PANEL "QUANTUM"	(1)
5		388090	FRONT PANEL "PROFESSIONAL"	(1)
6		388114	FRONT PANEL "FUTURA TOP"	(1)
7		387342	SWITCH/SLIDE VOLUME BOARD (ASM.)	(1)
8		283355	BAND	(1)
9		283522	SCREW	(2)
10		283522	SCREW	(1)
11		387863	WITH/WITHOUT BOBBIN THREAD SENSOR SHIELD PLATE	(1)
12		387864	SPRING	(1)
13		283335	START SWITCH LEAD TAPE	(3)
14		387889	BLIND PLATE	(1)
15		283478	SCREW	(2)
16		283522	SCREW	(2)
17		283523	SCREW	(4)
18		387343	LCD MODULE (TOTAL ASM.)	(1)
19		387866	LCD MODULE (ASM.)	(1)
20		387846	LCD FIXING PLATE	(1)
21		283522	SCREW	(2)
22		387849	TRANSPARENT TOUCH PANEL (ASM.)	(1)
23		387848	TRANSPARENT TOUCH PANEL	(1)
24		387850	SWITCH SHEET	(1)
25		387851	DOUBLE SIDE ADHESIVE TAPE	(2)
26		387872	INVERTER CIRCUIT BOARD (ASM.)	(1)
27		283522	SCREW	(2)
28		387882	DISPLAY CIRCUIT BOARD RELAY LEAD WIRE	(1)
29		387852	TTP BUFFER MATERIAL (VERTICAL)	(3)
30		387854	BOBBIN THRESD THREAD STAND ROD	(1)
31		387860	FELT	(1)
32		387383	PIN	(1)
33		283522	SCREW	(1)
34		386078	THREAD SPOOL CAP	(1)
35		387853	BOBBIN THREAD SPOOL COVER	(1)
36		387855	SPOOL COVER HOOK	(1)
37		283522	SCREW	(1)
38		387423	WASHER	(1)
39		387857	BOBBIN THREAD THREAD GUIDE (TOTAL ASM.)	(1)
40	*	387856	BOBBIN THREAD THREAD GUIDE (ASM.)	(1)
41	*	387386	E RING	(1)
42	*	387413	WASHER	(1)
43	*	387858	THREAD GUIDE PLATE SPRING	(1)
44	*	387859	THREAD GUIDE SPRING	(1)
45		283522	SCREW	(1)
46		387865	EMBROIDERY BOBBIN WINDER SEAL	(1)
47		283522	SCREW	(1)
48		387861	THREAD GUIDE COVER	(1)
49		387862	THREAD GUIDE ROD	(1)
50		387411	SCREW	(1)
51		387154	SCREW	(2)
52		283469	SCREW	(1)
53		387847	LCD FIXING COLLAR	(2)
54		387869	THREAD TRIMMING BUTTON	(1)
55		387867	S/S BUTTON	(1)
56		387868	REVERSE BUTTON	(1)
57		387870	HALF-STITCH BUTTON	(1)
58		387888	SLIDE VR KNOB	(1)

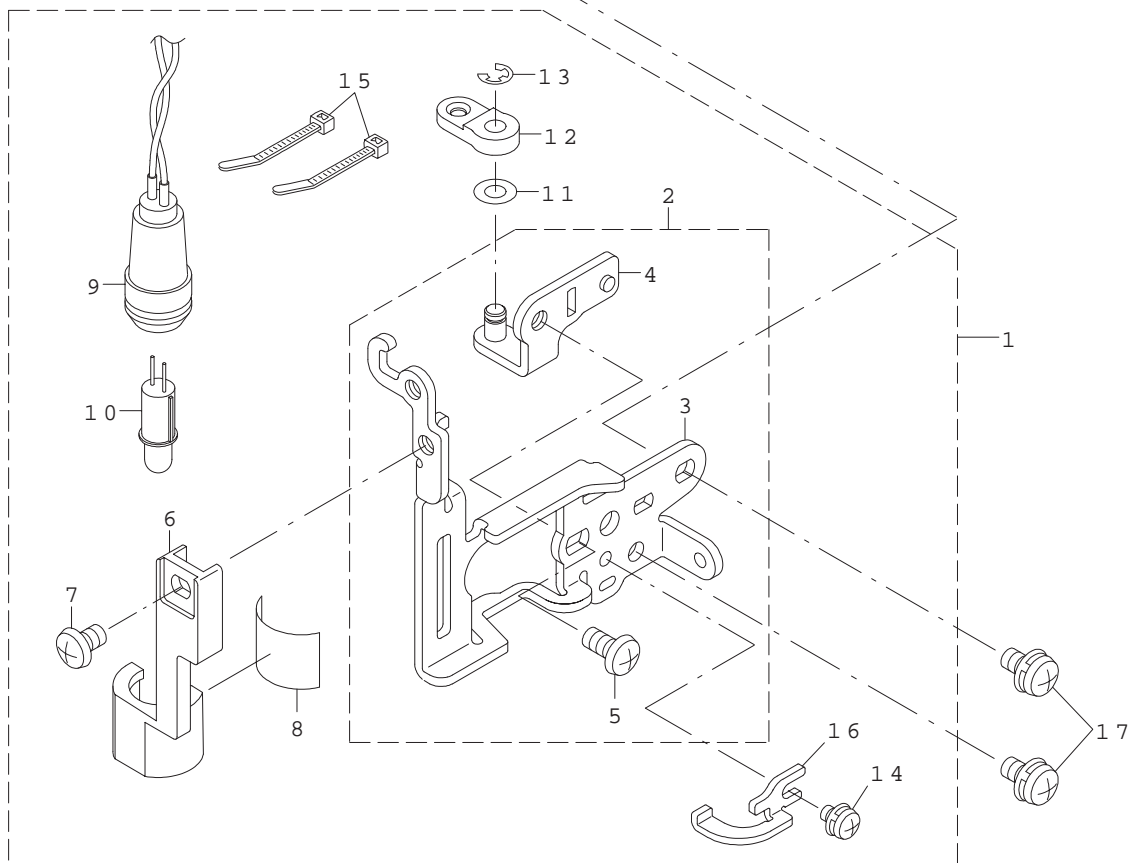
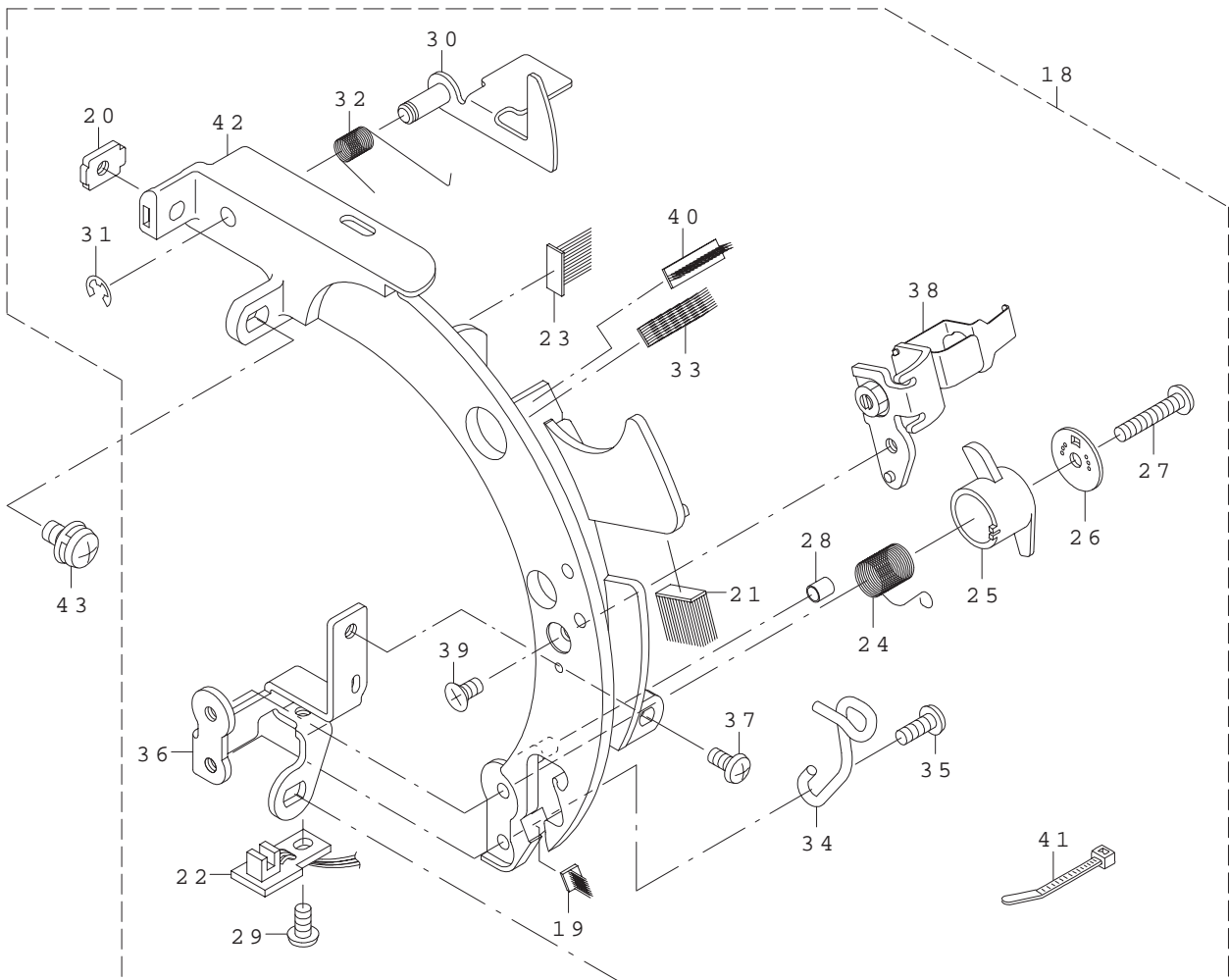
7. NEEDLE BAR AND NEEDLE THREADER COMPONENTS



REF NO.	NOTE	PART NO.	PART DESCRIPTION	Qty
1		387475	NEEDLE BAR FRAME (COMPL.)	1
2		387474	NEEDLE BAR FRAME (PARTIAL ASM.)	(1)
3	*	387473	NEEDLE BAR FRAME	(1)
4	*	387489	THREADING SHAFT DUMPER RING	(1)
5	*	387477	NEEDLE BAR ROCKER BASE SHAFT	(1)
6	*	387479	ROCKER BASE FULCRUM SHAFT	(1)
7		283506	SCREW	(1)
8	*	387491	THREADER WORKING BODY SPRING HOOK	(1)
9		387465	NEEDLE BAR (ASM.)	(1)
10	*	387484	THREADER SHAFT	(1)
11		283459	E RING	(1)
12	*	387485	PIN	(1)
13	*	387487	NEEDLE STOPPER THREADING BODY	(1)
14	*	387488	NEEDLE STOPPER THREADING BODY SPRING	(1)
15	*	387476	THREADER SHAFT GUIDE	(1)
16	*	#7	THREADER WORKING BODY	(1)
17	*	283506	SCREW	(1)
18	*	387477	CONNECTING PLATE SHAFT	(1)
19		387467	NEEDLE CLAMP (TOTAL ASM.)	(1)
20		387379	NEEDLE #15	(1)
21		387469	NEEDLE BAR CONNECTION (ASM.)	(1)
22		387471	THREADER NEEDLE BAR GUIDE (ASM.)	(1)
23	*	387470	THREADER NEEDLE BAR GUIDE	(1)
24	*	387472	TRANSFER BODY POSITIONING PLATE	(1)
25	*	283511	SCREW	(1)
26	*	283470	SCREW	(1)
27		387492	FELT	(1)
28		387344	NEEDLE THREADER HOOK HOLDER (ASM.)	(1)
29		387398	SCREW	(1)
30		387486	NEEDLE THREADER SHAFT SPRING	(1)
31		387490	NEEDLE STOPPER THREADING ARM	(1)
32		386528	SCREW	(1)
33		387483	ROCKING BASE SPRING (LOWER)	(1)
34		283073	THREAD RELEASE CAM SPRING	(1)
35		387482	SPRING	(1)
36		387493	FELT HOLDER	(1)
37		385337	SCREW	(1)
38		388137	NEEDLE BAR REGULATION SPRING	(1)
39		387481	ROCKING BASE SHAFT SPRING	1
40		283491	SCREW	2
41		387480	ROCKING BASE ADJUST SHAFT	1
42		387466	NEEDLE MIS-INSERT PREVENTING PLATE	1
43		387494	SCREW	1
44		386927	SCREW	1
45		388108	NEEDLE THREADER EXCHANGE HOOK HOLDER (TOTAL ASM.)	1

FOR THE PARTS TO WHICH "#" IS WRITTEN IN THE PART NO. COLUMN,
REFER TO THE LIST AT THE END OF PARTS LIST.

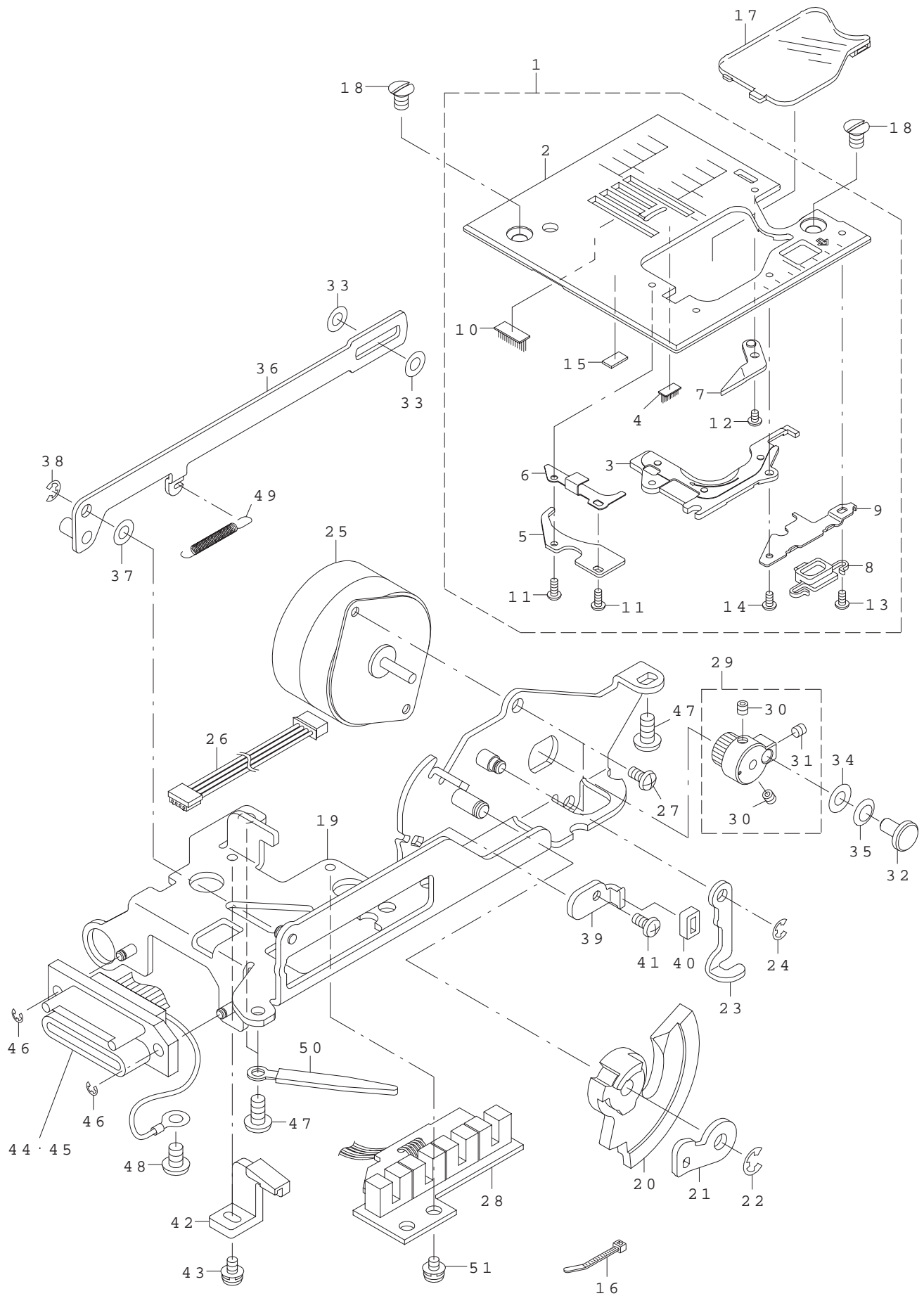
8. FACE PLATE COMPONENTS



REF NO.	NOTE	PART NO.	PART DESCRIPTION	Qty
1		#2	FACE PLATE FIXING PLATE (TOTAL ASM.)	1
2		#2	FACE PLATE FIXING PLATE (ASM.)	(1)
3	*	#2	FACE PLATE FIXING PLATE	(1)
4	*	387497	NEEDLE BAR LATERAL ADJUST PLATE (SASM.)	(1)
5	*	283502	SCREW	(1)
6		387841	LAMP FIXING BODY	(1)
7		386520	SCREW	(1)
8		387842	LAMP SEAL	(1)
9		387840	LAMP (ASM.)	(1)
10		387346	BULB	(1)
11		283527	WASHER	(1)
12		387498	ROCKING BASE CONTROL ARM	(1)
13		283459	E RING	(1)
14		283469	SCREW	(1)
15		387006	BAND (SMALL)	(2)
16		387651	CONTROL PLATE	(1)
17		387392	SCREW	2
18		#10	FACE PLATE (ASM.)	1
19		387757	FACE PLATE PILE	(1)
20		387766	FACE PLATE INSIDE COVER FIXING PLATE	(1)
21		387772	FACE PLATE TENSION PILE	(1)
22		387724	NEEDLE THREAD BREAKAGE DETECTING BOARD (ASM.)	(1)
23		387771	FEED BAR PILE	(1)
24		387725	THREAD TAKE-UP SPRING	(1)
25		387737	NEEDLE THREAD BREAKAGE DETECT SHIELD PLATE	(1)
26		387758	THREAD TAKE-UP SPRING FIXING PLATE	(1)
27		283495	SCREW	(1)
28		387767	THREAD TAKE-UP SPRING CUSHION	(1)
29		283491	SCREW	(1)
30		387759	MIS-THREADING PREVENTING PLATE (ASM.)	(1)
31		283459	E RING	(1)
32		387760	SPRING	(1)
33		387753	DELIVERY ROLLER PILE	(1)
34		387761	THREAD TAKE-UP GUIDE	(1)
35		385340	SCREW	(1)
36		#2	FACE PLATE REINFORCING PLATE	(1)
37		283491	SCREW	(1)
38		387768	FACE PLATE TENSION BASE (ASM.)	(1)
39		386502	SCREW	(1)
40		#3	DELIVERY ROLLER PILE	(1)
41		387006	BAND (SMALL)	(1)
42		#10	FACE PLATE	(1)
43		387392	SCREW	1

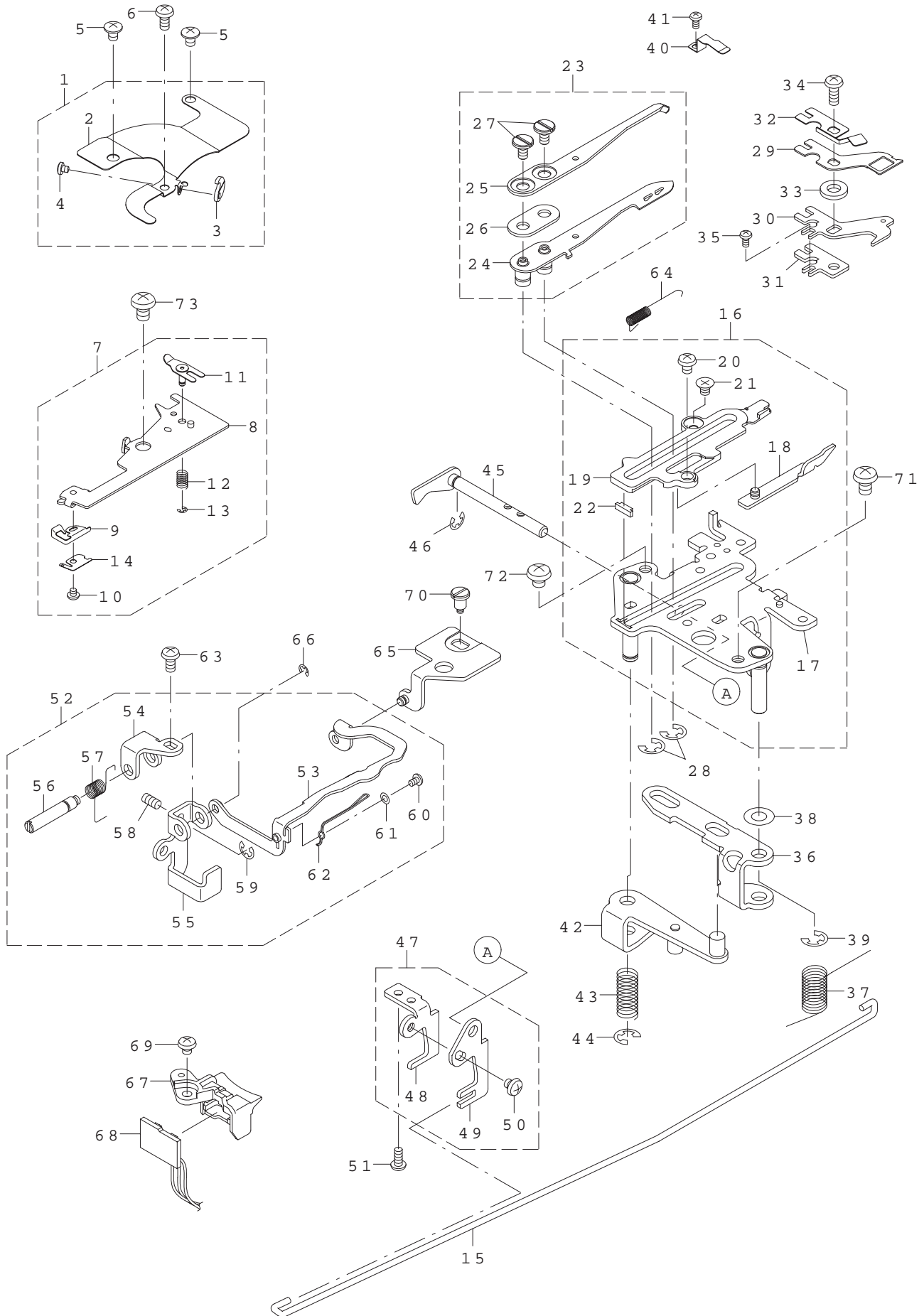
FOR THE PARTS TO WHICH "#" IS WRITTEN IN THE PART NO. COLUMN,
REFER TO THE LIST AT THE END OF PARTS LIST.

9. NEEDLE PLATE AND LATERAL FEED COMPONENTS



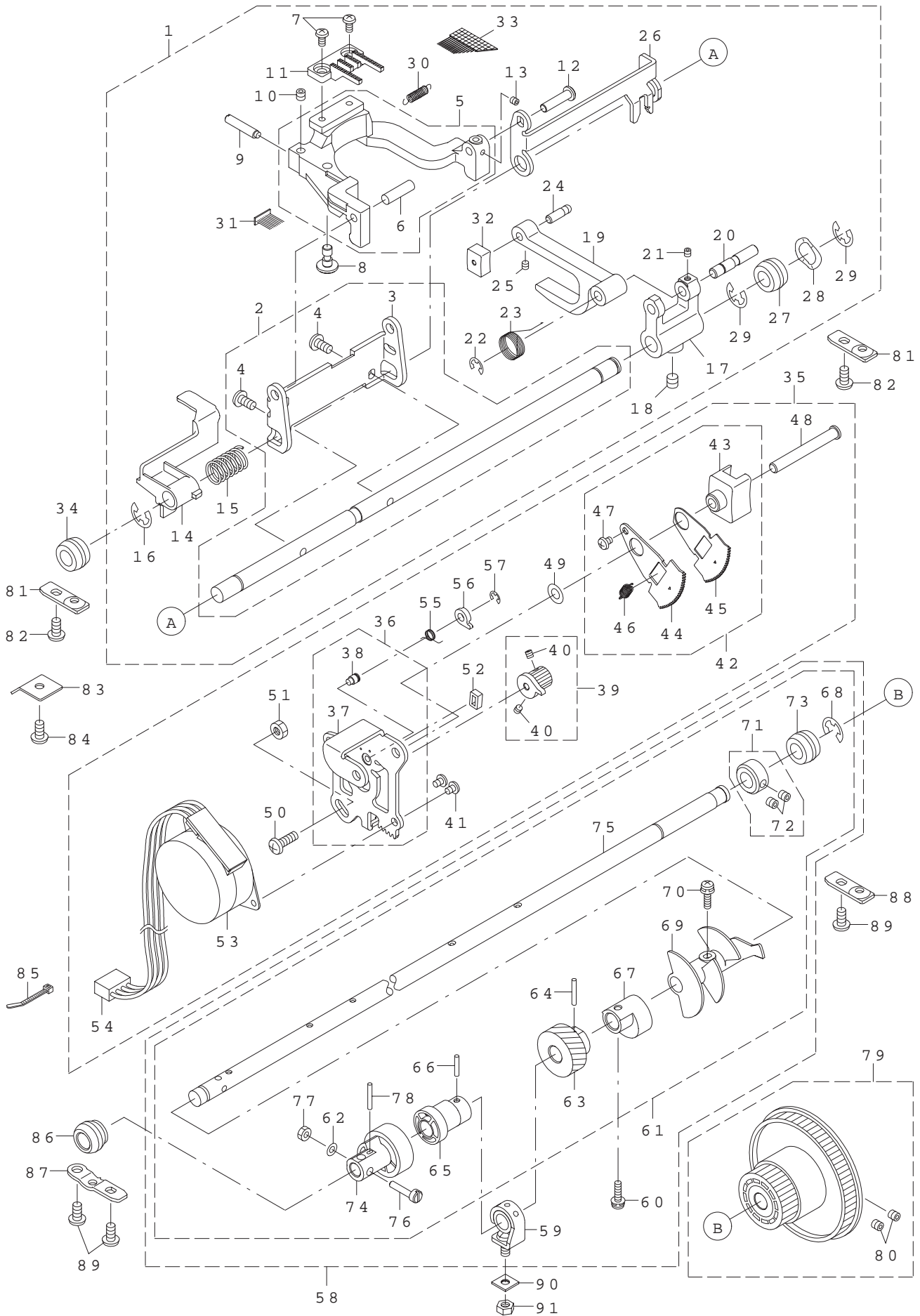
REF NO.	NOTE	PART NO.	PART DESCRIPTION	Qty
1		384347	NEEDLE PLATE (ASM.)	1
2		387426	NEEDLE PLATE	(1)
3		387430	BOBBIN CASE COVER	(1)
4		386230	NEEDLE PLATE PILE B	(1)
5		386059	STOPPING PLATE (LEFT)	(1)
6		386057	HOOK COVER SPRING	(1)
7		387428	HOOK COVER SUPPORT PLATE	(1)
8		387429	HOOK COVER OPEN/CLOSE BUTTON	(1)
9		387431	HOOK COVER BUTTON SUPPORT	(1)
10		386062	NEEDLE PLATE PILE A	(1)
11		386505	SCREW	(2)
12		283478	SCREW	(1)
13		386505	SCREW	(1)
14		385335	SCREW	(1)
15		386229	NEEDLE PLATE RUBBER	(1)
16		283355	BAND	2
17		387427	HOOK COVER (ASM.)	1
18		387545	SCREW	2
19		387554	LATERAL FEED STM FIXING PLATE (ASM.)	1
20		387553	THREAD TRIMMING GEAR	1
21		387556	THREAD RELEASE ARM	1
22		283460	E RING	1
23		387555	KNIFE DISENGAGING CONTACT	1
24		283459	E RING	1
25		387348	LATERAL FEED STM	1
26		387561	RELAY LEAD WIRE (ASM.)	1
27		283491	SCREW	2
28		387874	MAIN SHAFT DETECTING BOARD (ASM.)	1
29		387549	LATERAL FEED STM GEAR (ASM.)	1
30		283506	SCREW	(2)
31	*	283506	SCREW	(1)
32		387558	GEAR PIN	1
33		385349	WASHER A	2
34		386762	WASHER B	1
35		387560	SPRING WASHER	1
36		387550	LATERAL FEEDLINK (ASM.)	1
37		385349	WASHER A	1
38		283459	E RING	1
39		387557	THREAD TRIMMING GEAR STOPPER	1
40		387532	ORIGIN DETECTING RUBBER	1
41		283491	SCREW	1
42		387559	HOOK DRIVING SHAFT SUPPORT	1
43		283470	SCREW	1
44		387349	DRIVER CABLE (TOTAL ASM.)(120V)	1
45		388099	DRIVER CABLE (TOTAL ASM.)(230V)	1
46		283458	E RING	2
47		283502	SCREW	3
48		386520	SCREW	1
49		387551	LATERAL FEED LINK SPRING	1
50		283322	CORD HOLDER	1
51		283469	SCREW	1

10. GEAR COVER AND THREAD TRIMMER COMPONENTS



REF NO.	NOTE	PART NO.	PART DESCRIPTION	Qty
1		387601	GEAR COVER (ASM.)	1
2	*	387600	GEAR COVER	(1)
3	*	387571	WINDING-ROUND PREVENTING KNIFE	(1)
4	*	385335	SCREW	(1)
5		283491	SCREW	1
6		387394	SCREW (RIGHT)	1
7		387350	BOBBIN CASE STOPER PLATE (ASM.)	1
8	*	387576	BOBBIN CASE STOPPER PLATE	(1)
9	*	385212	INTER-HOOK HOLDING PLATE SPRING	(1)
10	*	385335	SCREW	(1)
11	*	387806	BOBBIN WINDER BASE TENSION (ASM.)	(1)
12	*	387807	SPRING	(1)
13	*	387386	E RING	(1)
14	*	387572	STOPPER PLATE SUPPORT	(1)
15		387713	KNIFE DISENGAGING LINK	1
16		387590	THREAD TRIMMING MECHANISM BASE (ASM. B)	1
17		387589	THREAD TRIMMING MECHANISM BASE (ASM. A)	(1)
18		387583	LOOPER WORKING PLATE (ASM.)	(1)
19		387587	MOVING KNIFE BASE GUIDE	(1)
20		283488	SCREW	(1)
21		386502	SCREW	(1)
22		387599	MOVING KNIFE STOPPER	(1)
23		387586	MOVING KNIFE BASE (TOTAL ASM.)	1
24	*	387585	MOVING KNIFE BASE (ASM.)	(1)
25	*	387351	MOVING KNIFE	(1)
26	*	387588	SPACER	(1)
27	*	387596	SCREW	(2)
28		283460	E RING	2
29		387591	MOVING KNIFE GUIDE PLATE (UPPER)	1
30		387592	MOVING KNIFE GUIDE PLATE (LOWER)	1
31		387593	SPACER	1
32		387597	MOVING KNIFE SUPPORT	1
33		386240	GUIDE PLATE COLLAR	1
34		385340	SCREW	1
35		387401	SCREW	1
36		387594	MOVING KNIFE LINK	1
37		387595	SPRING	1
38		283528	WASHER	1
39		283460	E RING	1
40		387598	MOVING KNIFE SUPPORT (LEFT)	1
41		386505	SCREW	1
42		387708	KNIFE DRIVE LINK (ASM.)	1
43		387707	SPRING	1
44		283460	E RING	2
45		387709	KNIFE DIENGAGING PLATE (ASM.)	1
46		283459	E RING	1
47		387711	KNIFE DISENGAGING ADJUST PLATE (ASM.)	1
48		387710	KNIFE DISENGAGING ADJUST PLATE	(1)
49		387712	KNIFE DISENGAGING ADJUST PLATE (FRONT)	(1)
50		283486	SCREW	(1)
51		387140	SCREW	2
52		387541	LOOPER (ASM.)	1
53	*	387540	LOOPER	(1)
54	*	387544	LOOPER ATTACHING PLATE (LEFT)	(1)
55	*	387542	LOOPER ADJUSTING PLATE	(1)
56	*	387548	LOOPER SHAFT (LEFT)	(1)
57	*	387546	SPRING	(1)
58	*	387407	SCREW	(1)
59	*	283459	E RING	(1)
60	*	283478	SCREW	(1)
61	*	387414	WASHER	(1)
62	*	387547	SPRING	(1)
63		283491	SCREW	1
64		387584	SPRING	1
65		387543	LOOPER ATTACHING PLATE (RIGHT) (ASM.)	1
66		283458	E RING	1
67		387603	REMAINING AMOUNT SENSOR FIXING BASE (RECEIVE LIGHT)	1
68		387605	REMAINING AMOUNT SENSOR BOARD (RECEIVE LIGHT) (ASM.)	1
69		283486	SCREW	1
70		387436	SCREW	1
71		386520	SCREW	1
72		283497	SCREW	1
73		387399	SCREW	1

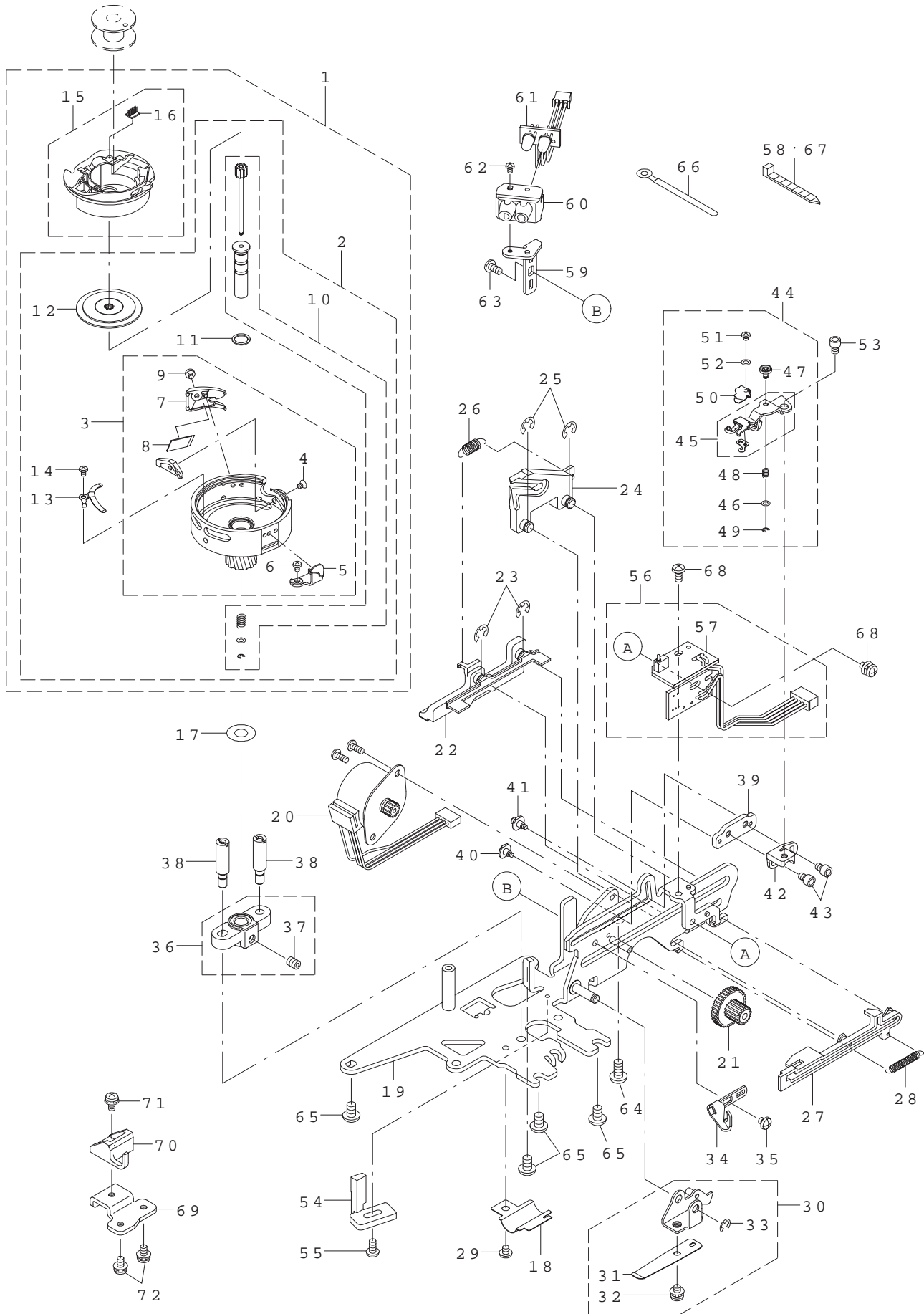
11. FEED AND HOOK DRIVING SHAFT COMPONENTS



REF NO.	NOTE	PART NO.	PART DESCRIPTION	Qty
1		387518	FEED ROCKER ARM (TOTAL ASM.)	1
2		388144	FEED ROCKER ARM SHAFT	(1)
3	*	387517	FEED ROCKER ARM (LARGE)	(1)
4	*	283502	SCREW	(2)
5		388162	FEED BAR (ASM.)	(1)
6	*	387514	FEED BAR SHAFT (LEFT)	(1)
7		283491	SCREW	(2)
8		387509	VERTICAL FEED ADJUST SHAFT	(1)
9		387511	VERTICAL FEED ECCENTRIC SHAFT	(1)
10		283511	SCREW	(1)
11		387528	FEED DOG	(1)
12		387516	FEED BAR SHAFT (RIGHT)	(1)
13		283506	SCREW	(1)
14		387581	DF LINK	(1)
15		387582	SPRING	(1)
16		283462	E RING	(1)
17		387512	FEED ROCKER ARM (SMALL)	(1)
18		283514	SCREW	(1)
19		387519	FORKED ROD	(1)
20		387515	FORKED ROD SHAFT	(1)
21		283506	SCREW	(1)
22		283460	E RING	(1)
23		387520	SPRING	(1)
24		387524	FEED REGULATOR BLOCK SHAFT	(1)
25		283506	SCREW	(1)
26		387552	LATERAL FEED WORKING PLATE	(1)
27		283186	HOOK DRIVING BUSHING	(1)
28		387424	SPRING WASHER	(1)
29		283462	E RING	(2)
30		387513	FEED BAR SPRING	(1)
31		387771	FEED BAR PILE	(1)
32		387523	FEED REGULATOR BLOCK	(1)
33		388145	FEED BAR BRUSH	(1)
34		283186	HOOK DRIVING BUSHING	1
35		387531	FEED STM FIXING PLATE (COMPL.)	1
36		387530	FEED STM FIXING PLATE (ASM.)	(1)
37		387529	FEED STM FIXING PLATE	(1)
38		387536	FEED STOPPER SHAFT	(1)
39		387534	FEED STM GEAR (ASM.)	(1)
40		283506	SCREW	(2)
41		283488	SCREW	(2)
42		387522	FEED REGULATOR (ASM.)	(1)
43		387521	FEED REGULATOR	(1)
44		386172	FEED REGULATOR GEAR A	(1)
45		386173	FEED REGULATOR GEAR B	(1)
46		387525	SPRING	(1)
47		283488	SCREW	(1)
48		387527	FEED REGULATOR SHAFT	(1)
49		283528	WASHER	(1)
50		283503	SCREW	(1)
51		283451	NUT	(1)
52		387533	ORIGIN DETECTING RUBBER	(1)
53		387352	FEED STM	(1)
54		387538	FEED STM RELAY LEAD IRE (ASM.)	(1)
55		387537	SPRING	(1)
56		387535	LEVER	(1)
57		283459	E RING	(1)
58		#11	HOOK DRIVING SHAFT (ASM.)	1
59		388147	HOOK DRIVING SHAFT SUPPORT B (ASM.)	(1)
60		283473	SCREW	(1)
61		#11	HOOK DRIVING SHAFT (ASM.)	(1)
62		387150	WASHER	(1)
63		387564	HOOK DRIVING GEAR	(1)
64		386488	THREAD TRIMMING CAM SPRING PIN	(1)
65		387539	VERTICAL FEED CAM	(1)
66		387385	STOP PIN	(1)
67		387510	FEED ROCKER CAM	(1)
68		283462	E RING	(1)
69		387449	MAIN SHAFT DETECTOR SHIELD PLATE	(1)
70		283473	SCREW	(1)
71		385137	THRUST COLLAR (ASM.)	(1)
72		283511	SCREW	(2)
73		283186	HOOK DRIVING BUSHING	(1)
74		387705	THREAD TRIMMING CAM	(1)
75		387562	HOOK DRIVING SHAFT	(1)
76		387706	PIN	(1)
77		387381	NUT	(1)
78		386488	THREAD TRIMMING CAM SPRING PIN	(1)
79		387565	HOOK DRIVING SHAFT PULLEY (ASM.)	1
80		283511	SCREW	(2)
81		386216	BALL BEARING GUARD PLATE (REAR)	2
82		283502	SCREW	2
83		387526	FEED REGULATOR SHAFT STOP PLATE	1
84		283502	SCREW	1
85		283355	BAND	1
86		387568	HOOK DRIVING SHAFT ECCENTRIC BUSHING	1
87		387567	BALL BEARING GUARD PLATE (FRONT)	1
88		386216	BALL BEARING GUARD PLATE (REAR)	1
89		283502	SCREW	3
90		388148	NUT A	1
91		283451	NUT B	1

FOR THE PARTS TO WHICH "#" IS WRITTEN IN THE PART NO. COLUMN,
REFER TO THE LIST AT THE END OF PARTS LIST.

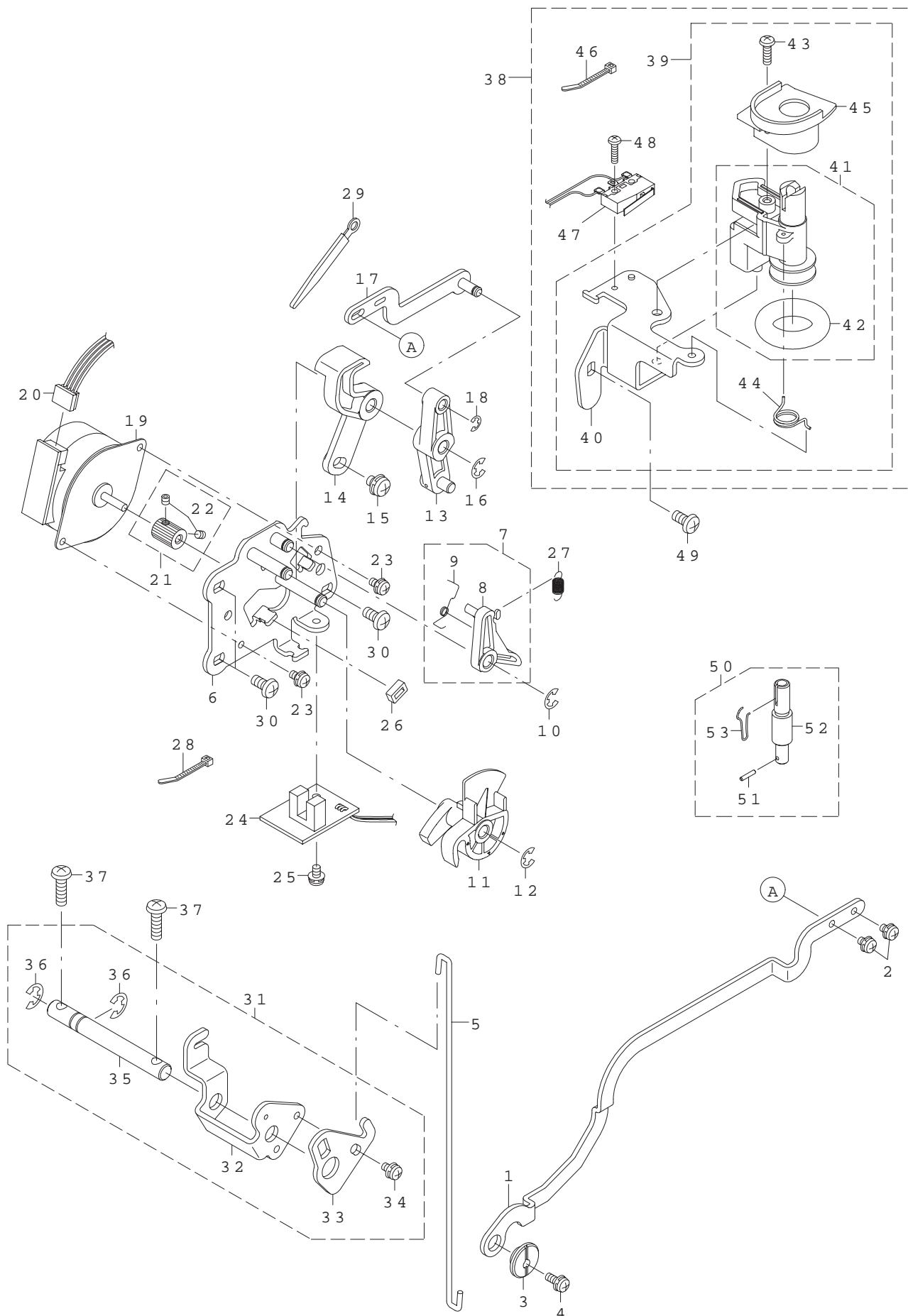
12.HOOK AND BOBBIN THREAD SUPPLY COMPONENTS



REF NO.	NOTE	PART NO.	PART DESCRIPTION	Qty
1		387574	HOOK (TOTAL ASM.)	1
2		387353	ROTATING HOOK (TOTAL ASM.)	(1)
3	*	#12	ROTATING HOOK (PARTIAL ASM.)	(1)
4	*	387395	SCREW	(1)
5	*	387578	HOOK OF ROTATING HOOK	(1)
6	*	387400	SCREW	(1)
7	*	387579	TOP THREADING CUTTER FIXING BASE	(1)
8		387338	TOP THREADING CUTTER	(1)
9	*	387396	SCREW	(1)
10		#12	HOOK SHAFT (ASM.)	(1)
11		387570	WASHER (UPPER)	(1)
12		387575	ROTATING HOOK MAGNET (ASM.)	(1)
13		387580	SPRING	(1)
14		385336	SCREW	(1)
15		387354	BOBBIN CASE (TOTAL ASM.)	(1)
16		386230	NEEDLE PLATE PILE B	(1)
17		385352	WASHER	1
18		387714	LINK COVER	1
19		#11	BOBBIN THREAD MECHANISM BASE (ASM.)	1
20		387355	BOBBIN THREAD SUPPLY STM (ASM.)	1
21		387789	BOBBIN THREAD INTERMEDIATE GEAR	1
22		387790	BOBBIN WINDER DRIVE PLATE RACK	1
23		283460	E RING	2
24		387791	BOBBIN WINDER DRIVE PLATE	1
25		283460	E RING	2
26		387792	SPRING	1
27		387793	GEAR CONNECTING LINK STOPPER	1
28		387794	SPRING	1
29		283486	SCREW	1
30		387795	GEAR CONNECTING LINK (ASM.)	1
31	*	387796	GEAR CONNECTING LINK PLATE SPRING	(1)
32		283469	SCREW	(1)
33		283459	E RING	(1)
34		387797	NEEDLE THREAD CATCHING PLATE	1
35		283486	SCREW	1
36		387577	HOOK SHAFT BASE (ASM.)	1
37		387408	SCREW	(1)
38		387602	GEAR COVER FIXING SHAFT A	2
39		387799	THREAD HOLDING PLATE (B)	1
40		387800	THREAD HOLDING PLATE SHAFT A	1
41		387801	THREAD HOLDING PLATE SHAFT B	1
42		387798	THREAD HOLDING PLATE C	1
43		387406	SCREW	2
44		387357	THREAD HOLDING PLATE (TOTAL ASM.)	1
45	*	387802	THREAD HOLDING PLATE (ASM.)	(1)
46	*	387413	WASHER	(1)
47	*	387803	BOBBIN WINDER TENSION PLATE (ASM.)	(1)
48	*	387804	SPRING	(1)
49	*	387386	E RING	(1)
50	*	387805	THREAD HOLDING SPRING	(1)
51	*	385335	SCREW	(1)
52	*	387414	WASHER	(1)
53		387406	SCREW	1
54		#11	HOOK DRIVING SHAFT SUPPORT OF HOOK	1
55		#11	SCREW	1
56		387356	BOBBIN THREAD ORIGIN SENSOR BOARD (ASM.)	1
57	*	387808	THREAD HOLDING PLATE COVER SENSOR BOARD	(1)
58		387006	BAND (SMALL)	1
59		387607	REMAINING AMOUNT SENSOR FIXING PLATE	1
60		387604	FIXING PLATE (GIVE LIGHT)	1
61		387606	REMAINING AMOUNT SENSOR BOARD (GIVE LIGHT) (ASM.)	1
62		387400	SCREW	1
63		283491	SCREW	1
64		283502	SCREW	1
65		283480	SCREW	4
66		283322	CORD HOLDER	1
67		387006	BAND (SMALL)	1
68		283491	SCREW	2
69		#11	HOOK DRIVING SHAFT SUPPORT A FITTING PLATE	1
70		#11	HOOK DRIVING SHAFT SUPPORT A	1
71		#11	SCREW	1
72		#11	SCREW	2

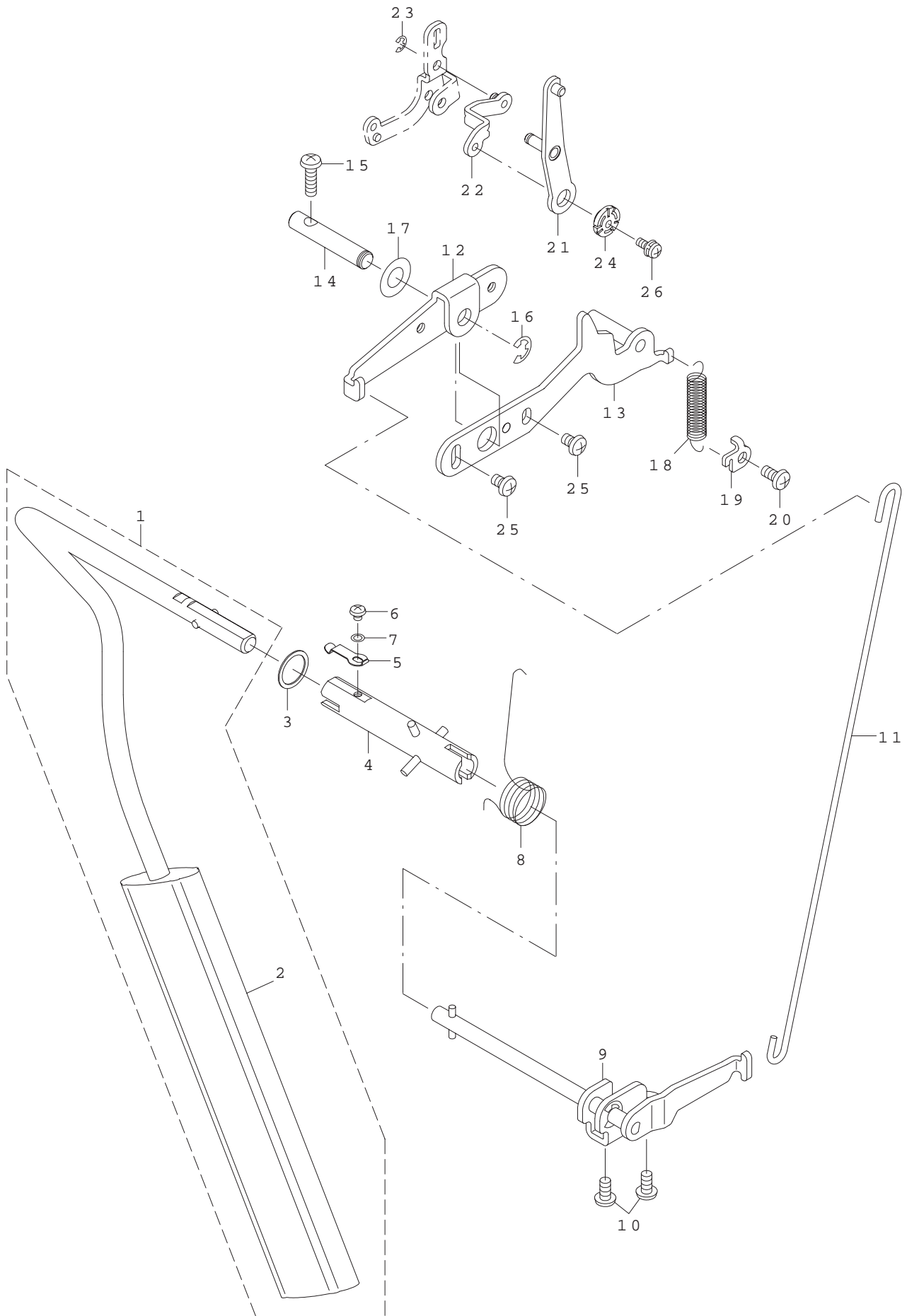
FOR THE PARTS TO WHICH "#" IS WRITTEN IN THE PART NO. COLUMN,
REFER TO THE LIST AT THE END OF PARTS LIST.

13.NEEDLE THROWING, THREAD RELEASE AND BOBBIN WINDER COMPONENTS



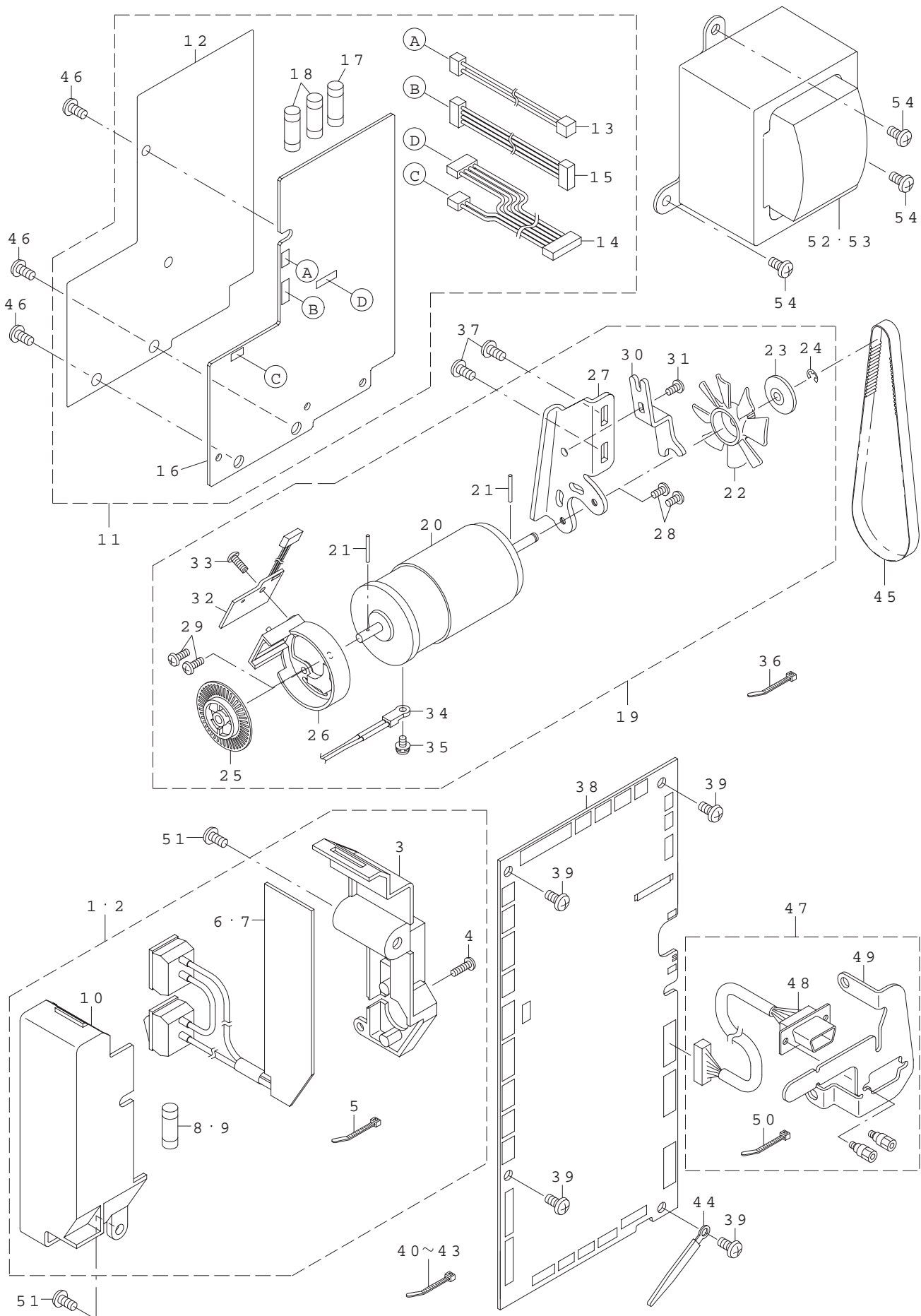
REF NO.	NOTE	PART NO.	PART DESCRIPTION	Qty
1		387495	ROCKING ROD	1
2		283469	SCREW	2
3		386118	ECCENTRIC COLLAR	1
4		283471	SCREW	1
5		387750	THREAD RELEASE LINK (LOWER)	1
6		387652	NEEDLE ROCKER STM FIXING PLATE (ASM.)	1
7		387656	MAIN SHAFT DISENGAGING LINK (ASM.)	1
8		387655	MAIN SHAFT DISENGAGING LINK	(1)
9		387662	BUFFER SPRING	(1)
10		283460	E RING	1
11		387657	NEEDLE ROCKER CAM	1
12		283460	E RING	1
13		387658	NEEDLE ROCKER LINK	1
14		387659	MAIN SHAFT DISENGAGING STOPPER	1
15		283474	SCREW	1
16		283460	E RING	1
17		387496	ROCKING ROD A (ASM.)	1
18		283459	E RING	1
19		387358	NEEDLE BAR ROCKING STM	1
20		387653	RELAY LEAD WIRE (ASM.)	1
21		387654	NEEDLE BAR ROCKING STM GEAR (ASM.)	1
22		283506	SCREW	(2)
23		283470	SCREW	2
24		387661	DISENGAGING DETECTING BOARD (ASM.)	1
25		283470	SCREW	1
26		387532	ORIGIN DETECTING RUBBER	1
27		387660	DISENGAGING LINK SPRING	1
28		283355	BAND	1
29		283322	CORD HOLDER	1
30		283502	SCREW	3
31		387746	THREAD RELEASE LINK PLATE (ASM.)	1
32	*	387745	THREAD RELEASE LINK PLATE	(1)
33	*	387747	THREAD RELEASE LINK ADJUST PLATE	(1)
34		283470	SCREW	(1)
35	*	387748	THREAD RELEASE LINK SHAFT	(1)
36		283461	E RING	(2)
37		387403	SCREW	2
38		387778	BOBBIN WINDER MECHANISM BASE (TOTAL ASM.)	1
39		387777	BOBBIN WINDER MECHANISM BASE (ASM.)	(1)
40	*	387776	BOBBIN WINDER MECHANISM BASE	(1)
41	*	387779	BOBBIN WINDER BASE (ASM.)	(1)
42		283308	RUBBER RING	(1)
43		283523	SCREW	(1)
44		386324	SPRING	(1)
45	*	387780	GUIDE	(1)
46		283355	BAND	(1)
47		387784	BOBBIN WINDER SWITCH (ASM.)	(1)
48		283485	SCREW	(1)
49		283502	SCREW	1
50		387782	BOBBIN WINDER SHAFT (ASM.)	1
51		387783	PIN	(1)
52	*	387781	BOBBIN WINDER SHAFT	(1)
53		386325	SPRING	(1)

14.KNEE LIFTER COMPONENTS



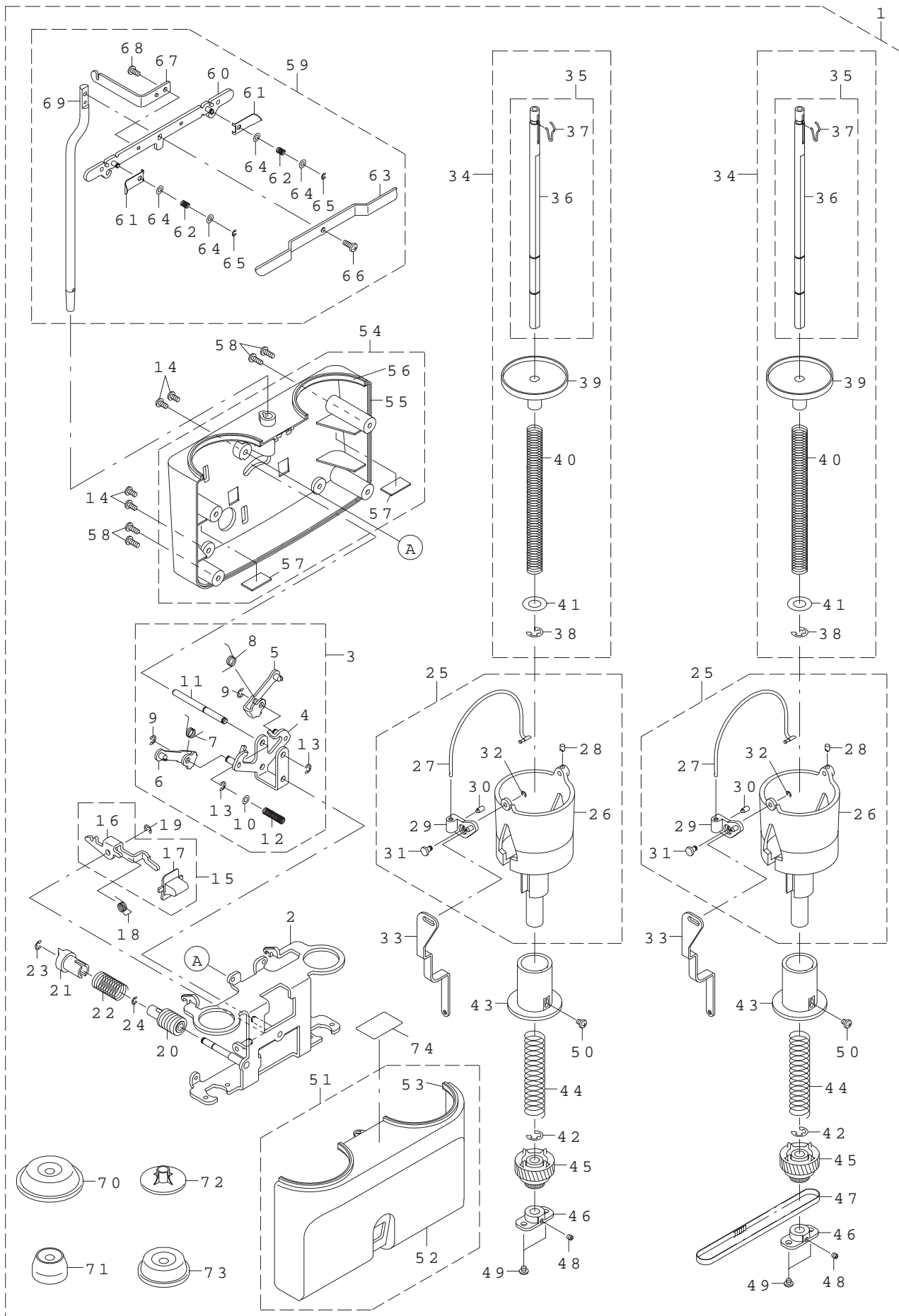
REF NO.	NOTE	PART NO.	PART DESCRIPTION	Qty
1		387809	KNEE LIFTER INSERT (ASM.)	1
2	*	387823	KNEE LIFTER PAD	(1)
3		387814	WASHER	1
4		387810	KNEE LIFTER CONNECTING SHAFT (ASM.)	1
5		387811	SPRING	1
6		283486	SCREW	1
7		387417	WASHER	1
8		387812	SPRING	1
9		387813	KNEE LIFTER LINK PLATE (TOTAL ASM.)	1
10		283502	SCREW	2
11		387815	KNEE LIFTER LINK	1
12		387816	KNEE LIFTER LINK ARM A	1
13		387817	KNEE LIFTER LINK ARM B (ASM.)	1
14		387818	FULCRUM SHAFT	1
15		387142	SCREW	1
16		283461	E RING	1
17		387422	WASHER	1
18		387820	SPRING	1
19		387819	SPRING HOOK	1
20		283502	SCREW	1
21		387821	KNEE LIFTER RELEASE PLATE (ASM.)	1
22		387822	KNEE LIFTER RELEASE LINK (ASM.)	1
23		283459	E RING	1
24		386118	ECCENTRIC COLLAR	1
25		386520	SCREW	2
26		283471	SCREW	1

15. POWER SOURCE AND DRIVE MOTOR COMPONENTS



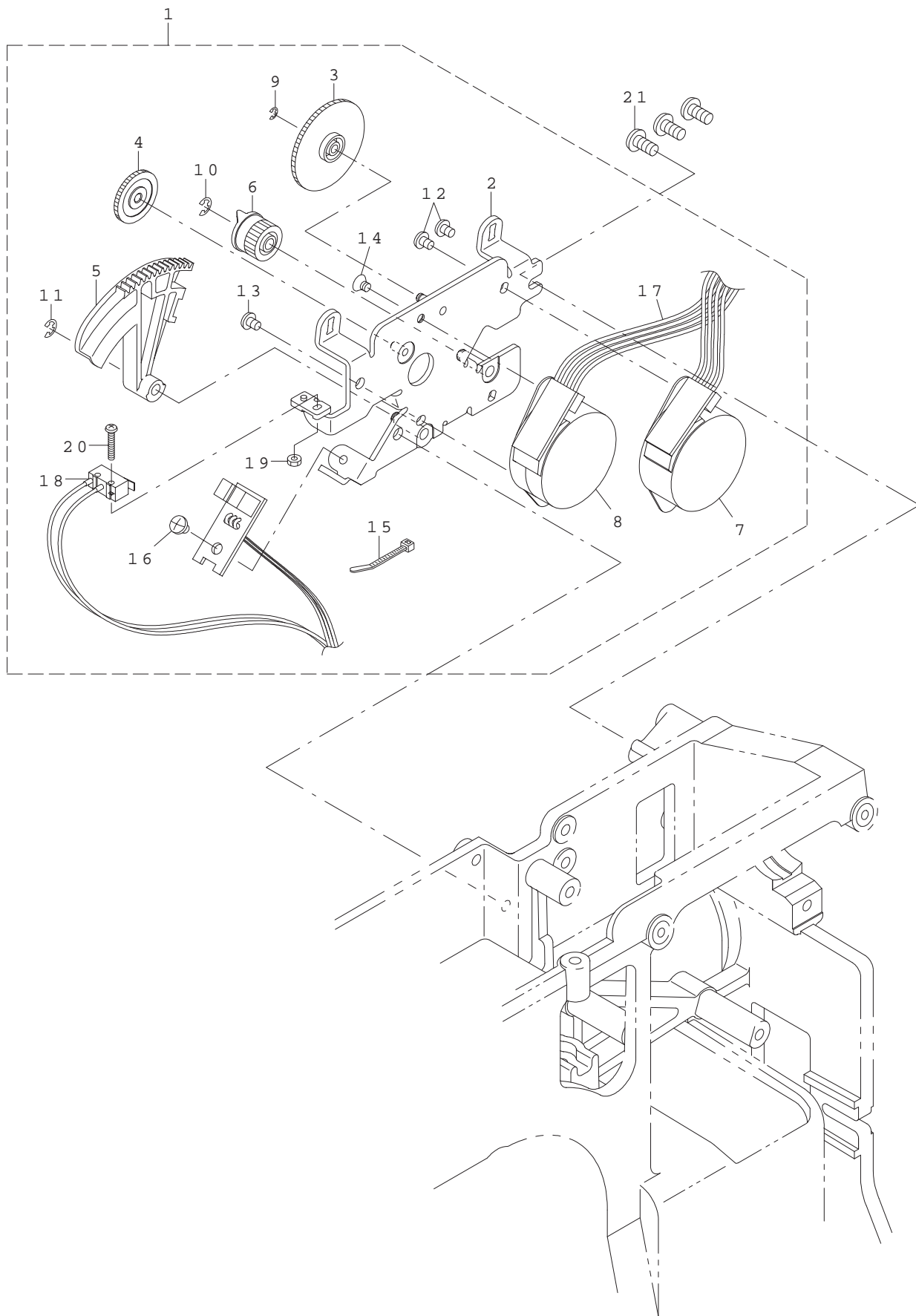
REF NO.	NOTE	PART NO.	PART DESCRIPTION	Qty
1		387359	POWER TRANSFORMER BOX (ASM.)(120V)	1
2		388094	POWER TRANSFORMER BOX (ASM.)(230V)	1
3		387876	INLET COVER	(1)
4		283523	SCREW	(1)
5		283355	BAND	(1)
6		387877	FILTER BOARD (TOTAL ASM.)(120V)	(1)
7		388092	FILTER BOARD (TOTAL ASM.)(230V)	(1)
8		386477	FUSE 5A (120V)	(1)
9		388093	FUSE 3.15A (230V)	(1)
10		387875	POWER TRANSFORMER BOX	(1)
11		387360	ELECTRIC POWER BOARD (TOTAL ASM.)	1
12		387879	INSULATING SHEET	(1)
13		387873	INVERTER CONNECTING LEAD WIRE (ASM.)	(1)
14		387881	POWER SUPPLY CONNECTING CABLE (ASM.)	(1)
15		387883	ELECTRIC POWER BOARD CONNECTING CABLE (ASM.)	(1)
16		387878	ELECTRIC POWER BOARD (ASM.)	(1)
17		387376	TIME-LAG FUSE 5A	(1)
18		386478	FUSE (3.15A) (120/230V)	(2)
19		388009	MAIN MOTOR (TOTAL ASM.)	1
20		388008	MAIN MOTOR (ASM.)	(1)
21		387384	MAIN MOTOR PIN	(2)
22		388012	MOTOR SHAFT PULLEY	(1)
23		388013	FLANGE	(1)
24		387699	E RING	(1)
25		388015	MP SHIELD PLATE	(1)
26		388016	MP BOARD BRACKET	(1)
27		388021	MAIN MOTOR FIXING PLATE	(1)
28		283476	SCREW	(2)
29		283522	SCREW	(2)
30		388018	MOTOR BELT GUIDE	(1)
31		283470	SCREW	(1)
32		388022	MP DETECTING BOARD (ASM.)	(1)
33		283522	SCREW	(1)
34		388020	THERMISTOR (ASM.)	(1)
35		283470	SCREW	(1)
36		387006	BAND (SMALL)	1
37		283502	SCREW	2
38		387361	MICRO COMPUTER CIRCUIT BOARD (ASM.)	1
39		283502	SCREW	4
40		387880	BAND	1
41		387880	BAND	1
42		387880	BAND	2
43		283355	BAND	1
44		283322	CORD HOLDER	1
45		388019	MOTOR TIMING BELT	1
46		283502	SCREW	3
47		387886	SERIAL COMMUNICATION RELAY CORD (TOTAL ASM.)	1
48		387885	SERIAL COMMUNICATION RELAY CORD (ASM.)	(1)
49		387884	CONNECTOR FIXING PLATE	(1)
50		283355	BAND	(1)
51		283502	SCREW	2
52		387887	ELECTRIC POWER BOX (ASM.)(120V)	1
53		388091	POWER TRANSFORMER (ASM.)(230V)	1
54		283502	SCREW	3

16. THREAD CHANGER (1) COMPONENTS



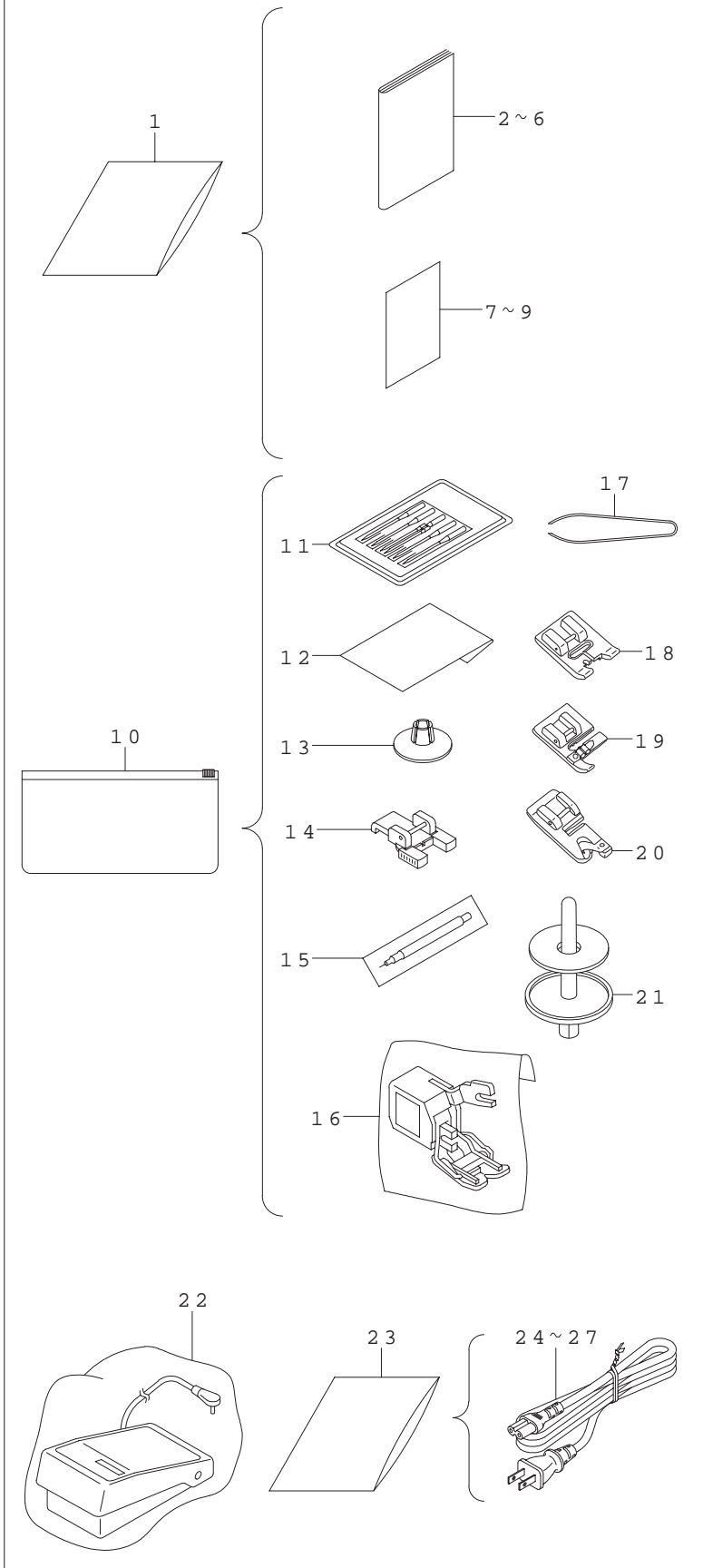
REF NO.	NOTE	PART NO.	PART DESCRIPTION	Qty
1		383885	THREAD CHANGER (COMPLETE SET)	1
2		387940	THREAD CHANGER BASE PLATE (ASM.)	(1)
3		387942	THREAD CHANGER CHANGE-OVER ARM (TOTAL ASM.)	(1)
4		387941	THREAD CHANGER CHANGE-OVER ARM (ASM.)	(1)
5		387943	WORKING PLATE (RIGHT) (ASM.)	(1)
6		387944	WORKING PLATE (LEFT) (ASM.)	(1)
7		387945	SPRING (RIGHT)	(1)
8		387946	SPRING (LEFT)	(1)
9		283459	E RING	(2)
10		387416	WASHER	(1)
11		387947	WORKING SHAFT	(1)
12		387948	SPRING	(1)
13		283459	E RING	(2)
14		283491	SCREW	(4)
15		387950	LATCH (ASM.)	(1)
16		387949	LATCH	(1)
17		387951	LATCH KNOB	(1)
18		387952	LATCH SPRING	(1)
19		283459	E RING	(1)
20		387953	WINDING WORM	(1)
21		387954	WINDING WORM SLIDE	(1)
22		387955	SPRING	(1)
23		283459	E RING	(1)
24		387388	E RING	(1)
25		387957	THREAD CHANGER BODY (PARTIAL ASM.)	(2)
26	*	387956	THREAD CHANGER BODY	(2)
27	*	387958	BAIL	(2)
28	*	387959	BAIL STOPPER B	(2)
29	*	387960	BAIL FULCRUM	(2)
30	*	387961	BAIL STOPPER A	(2)
31	*	387962	BAIL FULCRUM SHAFT	(2)
32		387387	E RING	(2)
33		387963	BAIL WORKING PLATE	(2)
34		387966	THREAD STAND ROD SHAFT (TOTAL ASM.)	(2)
35		387965	THREAD STAND ROD SHAFT (ASM.)	(2)
36		387964	THREAD STAND ROD SHAFT	(2)
37		387967	THREAD SPOOL PRESSER SPRING	(2)
38		283461	E RING	(2)
39		387968	THREAD SPOOL SUPPORT	(2)
40		387969	SPRING	(2)
41		387421	WASHER	(2)
42		283461	E RING	(2)
43		387970	THREAD CHANGER SLIDE BODY	(2)
44		387971	SPRING	(2)
45		387972	THREAD CHANGER GEAR	(2)
46		387973	BEARING	(2)
47		387974	INTERLOCK BELT	(1)
48		283506	SCREW	(2)
49		283486	SCREW	(4)
50		283488	SCREW	(2)
51		387976	THREAD CHANGER COVER (REAR) (PARTIAL ASM.)	(1)
52		387975	THREAD CHANGER COVER (REAR)	(1)
53		387985	FELT	(4)
54		387978	THREAD CHANGER COVER (FRONT) (PARTIAL ASM.)	(2)
55		387977	THREAD CHANGER COVER (FRONT)	(1)
56		387985	FELT	(4)
57		383882	THREAD CHANGER COVER RUBBER	(2)
58		283522	SCREW	(4)
59		387981	THREAD GUIDE PLATE (TOTAL ASM.)	(1)
60	*	387980	THREAD GUIDE PLATE (ASM.)	(1)
61	*	387982	THREAD GUIDE TENSION PLATE	(2)
62	*	387983	SPRING	(2)
63	*	387984	THREAD GUIDE PLATE COVER	(1)
64	*	387151	WASHER	(2)
65	*	283458	E RING	(2)
66	*	385340	SCREW	(1)
67	*	387986	THREAD GUIDE PLATE A	(1)
68	*	283491	SCREW	(1)
69	*	387979	THREAD GUIDE ROD (ASM.)	(1)
70		387987	BOBBIN WINDER PATCH SEAT	(2)
71		387988	BOBBIN WINDER PATCH SEAT (SMALL)	(2)
72		387989	THREAD SPOOL DETENT A	(2)
73		387990	BOBBIN WINDER PATCH SEAT (MEDIUM)	(2)
74		388161	THREAD CHANGER COVER A SEAL	(1)

17. THREAD CHANGER (2) COMPONENTS

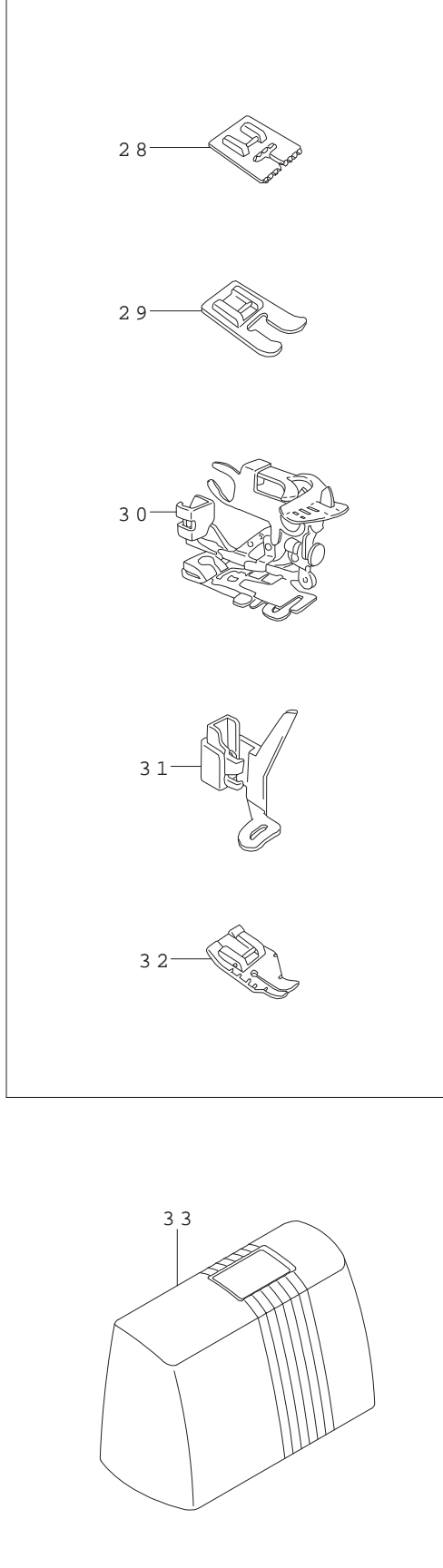


REF				
NO.	NOTE	PART NO.	PART DESCRIPTION	Qty
1		387992	THREAD CHANGER STM FIXING PLATE (TOTAL ASM.)	1
2		387991	THREAD CHANGER STM FIXING PLATE (ASM.)	(1)
3		387993	THREAD CHANGER CHANGE-OVER INTERMEDIATE GEAR	(1)
4		387994	THREAD CHANGER CHANGE-OVER INTERMEDIATE GEAR A	(1)
5		387995	THREAD CHANGER CHANGE-OVER WORKING GEAR	(1)
6		387996	THREAD CHANGER CHANGE-OVER INTERMEDIATE GEAR	(1)
7		387997	THREAD CHANGER STM	(1)
8		387998	THREAD CHANGER CHANGE-OVER STM	(1)
9		283458	E RING	(1)
10		283459	E RING	(1)
11		283459	E RING	(1)
12		283488	SCREW	(2)
13		283488	SCREW	(1)
14		386502	SCREW	(1)
15		387006	BAND (SMALL)	(1)
16		283488	SCREW	(1)
17		388003	BOBBIN WINDER STM LEAD WIRE (ASM.)	(1)
18		388002	UNIT DETECTING SWITCH (ASM.)	(1)
19		387380	NUT	(1)
20		387402	SCREW	(1)
21		283502	SCREW	3

ACCESSORIES PARTS (2)

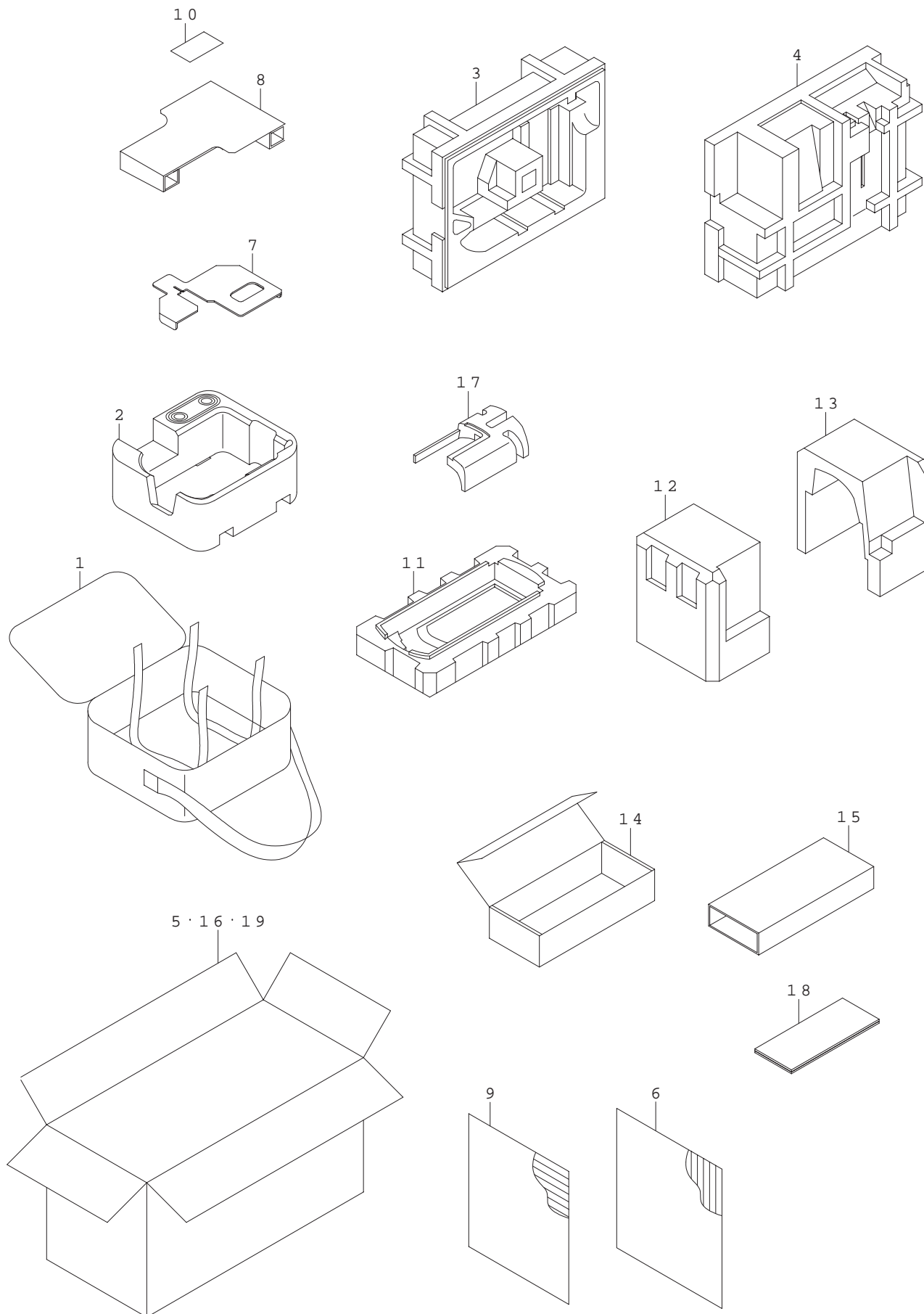


OPTIONAL PARTS



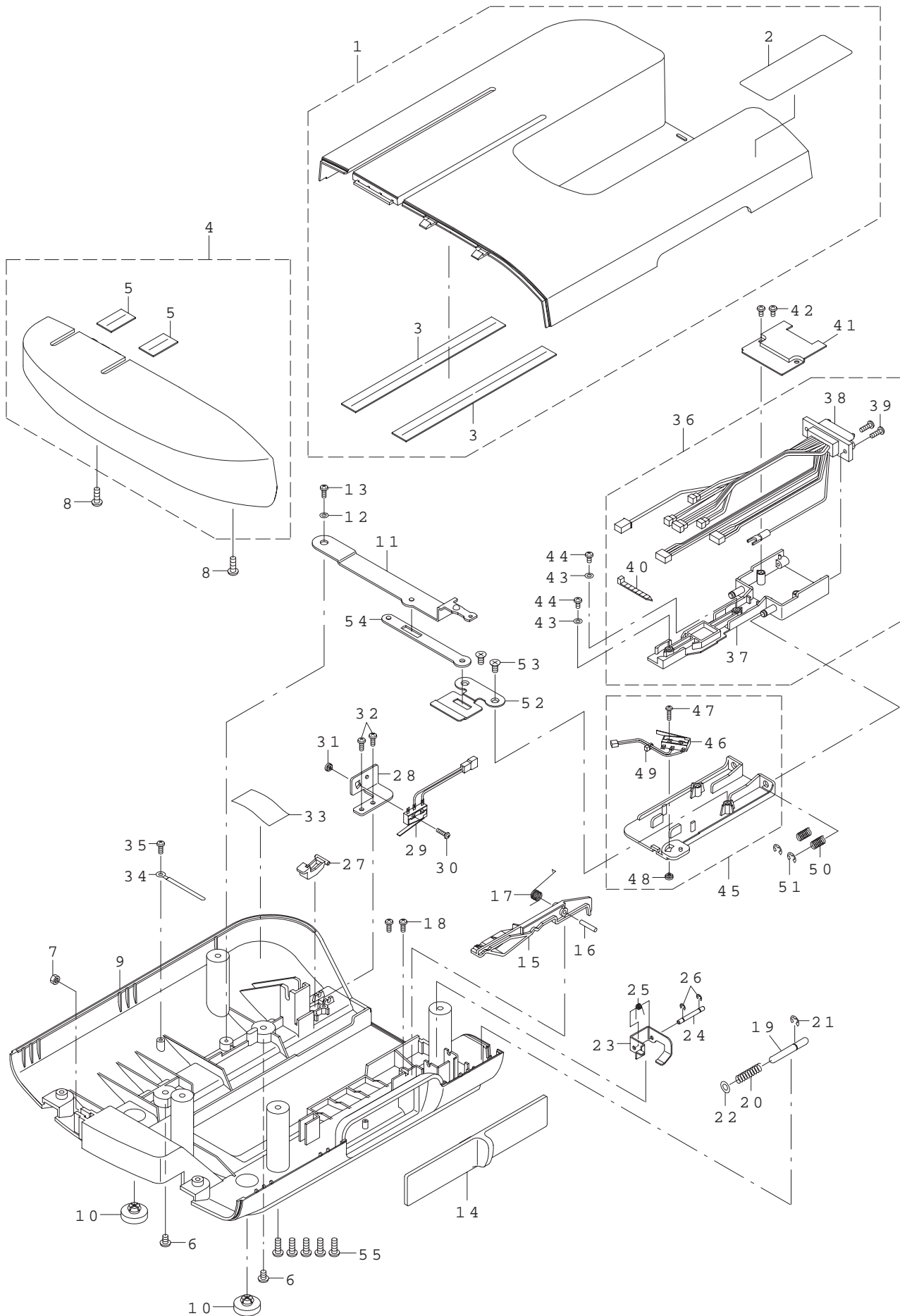
REF NO.	NOTE	PART NO.	PART DESCRIPTION	Qty
1		283413	VINYL BAG	1
2		387375	INSTRUCTION MANUAL---ENG	1
3		388095	INSTRUCTION MANUAL---GER	1
4		388096	INSTRUCTION MANUAL---GB/AUST	1
5		388097	INSTRUCTION MANUAL---ITA	1
6		388101	INSTRUCTION MANUAL---FRA	1
7		386474	WARRANTY CARD ---USA/CAN	1
8		388098	WARRANTY CARD ---ITA	1
9		283686	WARRANTY CARD ---GB	1
10		388030	ACCESSORY BAG	1
11		388035	NEEDLE PACK	1
12		283680	#WING NEEDLE (SET)	1
13		387438	SMALL SPOOL CAP (230V)	1
14		283677	BUTTON FOOT	1
15		283425	ASSISTANT MARKER	1
16		388156	EVEN FEED FOOT (ASM.)	1
17		388028	TWEEZERS	1
18		388027	TRANSPARENT BUTTONHOLE FOOT (ASM.)	1
19		386013	CORDING FOOT (ASM.)	1
20		386011	ROLLED HEMMING FOOT (ASM.) [F]	1
21		388036	AUXILIARY SPOOL PIN AND FELT	1
22		385091	SPEED CONT. (ASM)	1
23		386479	POWER CORD BAG	1
24		388138	ELECTRIC POWER CORD (ASM.) UL	1
25		283545	ELECTRIC POWER CORD (ASM.)(CE)	1
26		283547	ELECTRIC POWER CORD (ASM.)(BS)	1
27		283546	ELECTRIC POWER CORD (ASM.)(SAA)	1
28	a)	388037	PINTUCK FOOT	1
29	b)	388038	OPEN TOE EMBROIDERY FOOT	1
30		388087	RUFFLER PRESSER FOOT	1
31		386017	DARNING FOOT (ASM.)	1
32		386005	QUILTER'S FOOT	1
33	c)	388026	CASE (ASM.)---GER/GB/AUST/ITA/FRA	1
	a)	... 386022	ORDERS TO TAIWAN SINGER	
	b)	... 386023	ORDERS TO TAIWAN SINGER	
	c)	...	USA--OPTIONAL PARTS	

19. PACKING MATERIAL PARTS COMPONENTS



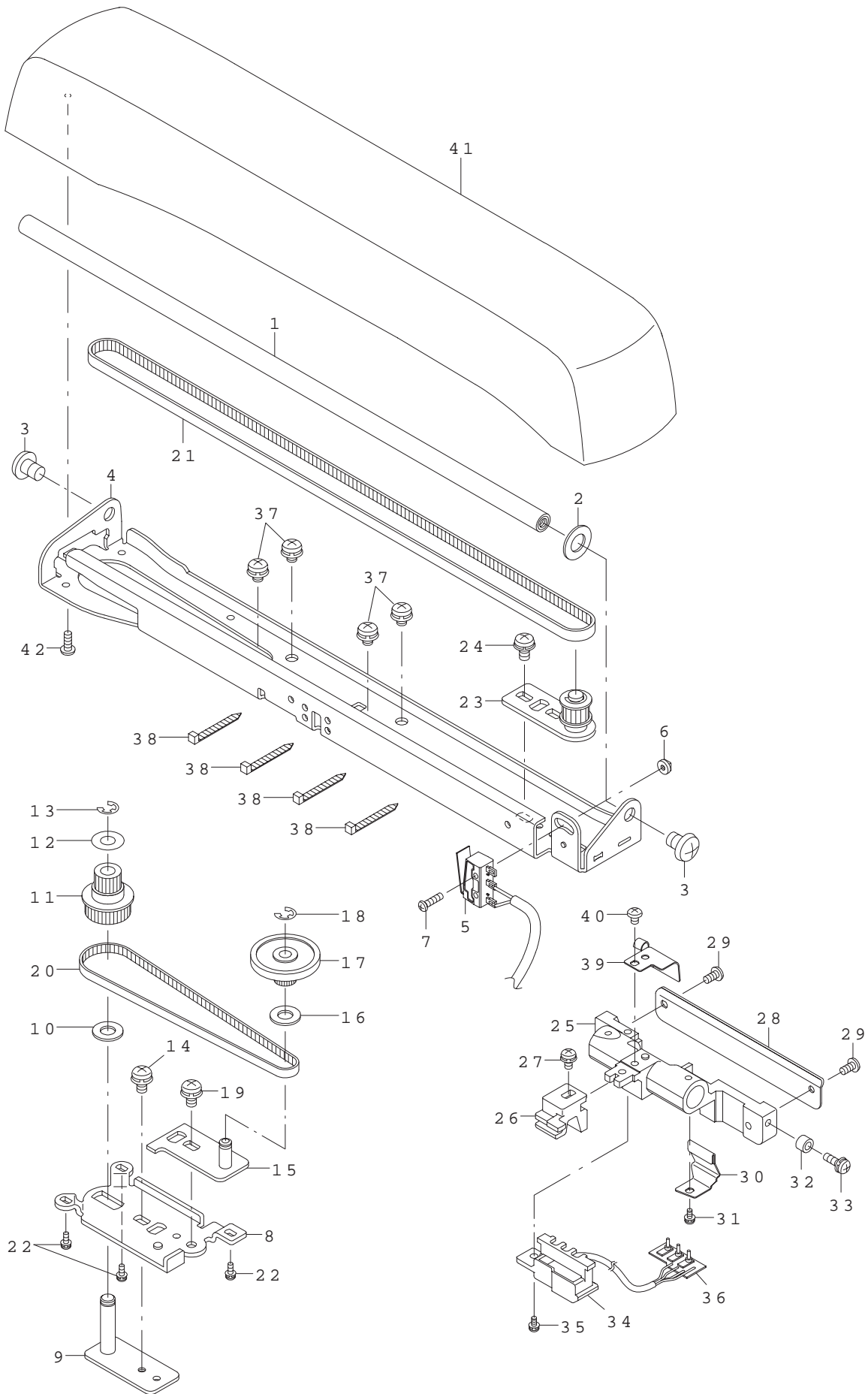
REF				
NO.	NOTE	PART NO.	PART DESCRIPTION	Qty
1		387939	EMBROIDERING UNIT CARRYING CASE	1
2		387378	STYRENE FOAM FOR EMBROIDERING UNIT	1
3		388047	PACKING (REAR) (USA ONLY)	1
4		388046	PACKING (FRONT) (USA ONLY)	1
5		388045	CARTON CASE (USA)	1
6		388169	PARTITION PLATE (LENGTHWISE) (USA ONLY)	1
7		388170	EMBROIDERING UNIT PACKING MATERIAL (1)	1
8		388171	EMBROIDERING UNIT PACKING MATERIAL (2)	1
9		388172	PARTITION PLATE (CROSSWISE)	1
10		388173	CAUTION PAMPHLET FOR TAKING OUT E.U.	1
11		388174	PACKING (LOWER)(GER/GB/AUST/ITA/FRA)	1
12		388175	PACKING (UPPER FACE SIDE)(GER/GB/AUST/ITA/FRA)	1
13		388176	PACKING (UPPER PULLEY SIDE)(GER/GB/AUST/ITA/FRA)	1
14		388177	ACCESSRIES BOX (GER/GB/AUST/ITA/FRA)	1
15		388178	FRAME (GER/GB/AUST/ITA/FRA)	1
16		388179	CARTON CASE (GER/GB/AUST/ITA)	1
17		388180	MAIN UNIT CASE PACKING (GER/GB/AUST/ITA/FRA)	1
18		388181	PACKING PLATE (GER/GB/AUST/ITA/FRA)	1
19		388168	CARTON CASE (FRA)	1

20.TOP COVER BOTTOM COVER COMPONENTS



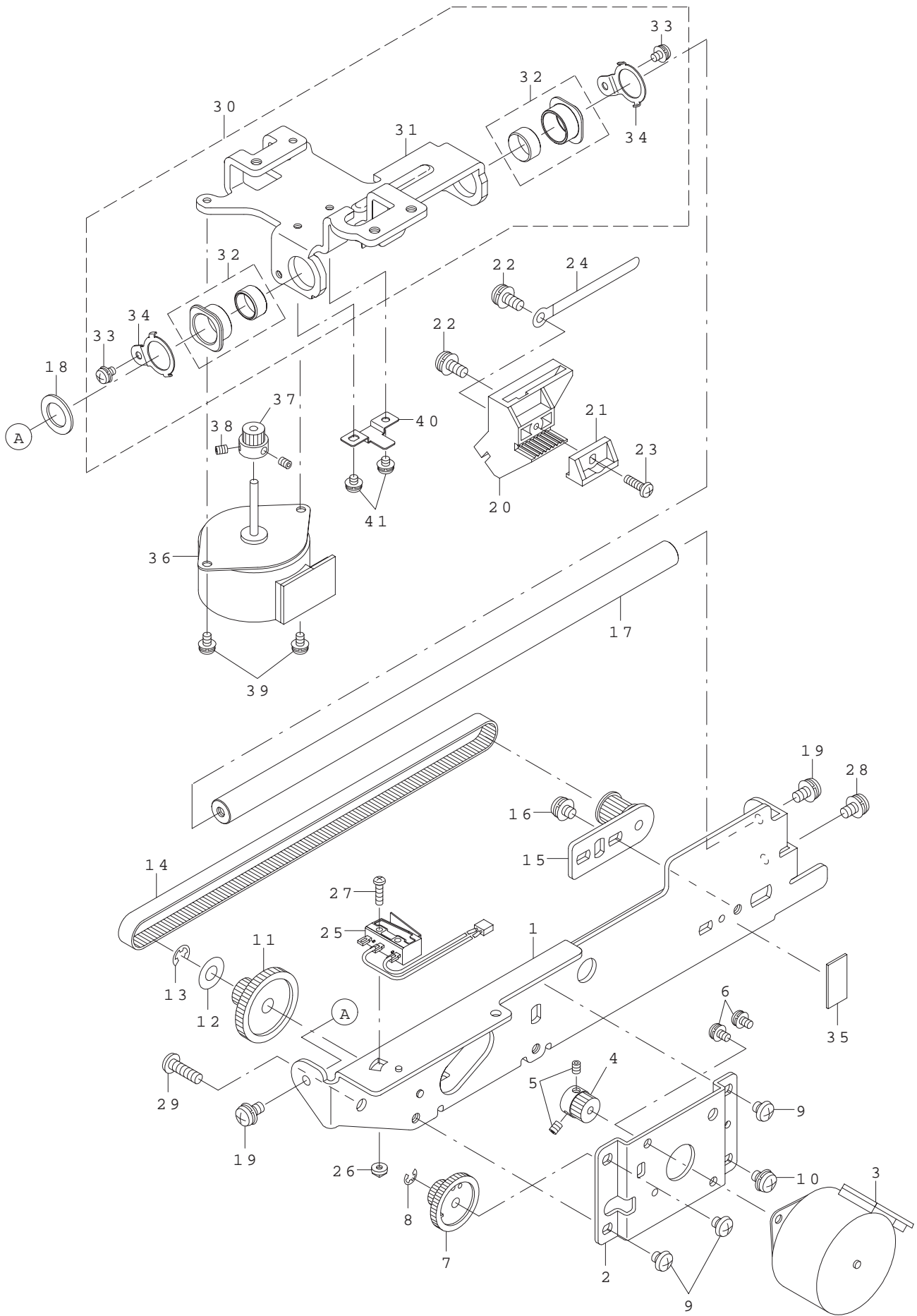
REF NO.	NOTE	PART NO.	PART DESCRIPTION	Qty
1		387907	TOP COVER (ASM.)	1
2		387921	EMBROIDERING UNIT HANDLING CAUTION SEAL	(1)
3		387916	DUST-PROOF SEAT A	(2)
4		387909	SIDE COVER (ASM.)	1
5		387917	DUST-PROOF SHEET B	(2)
6		386520	SCREW	2
7		283451	NUT	1
8		387154	SCREW	2
9		387908	BOTTOM COVER	1
10		387440	RUBBER SEAT	2
11		387918	CHANGE-OVER LEVER (ASM.)	1
12		386530	WASHER	1
13		283522	SCREW	1
14		387920	CHANGE-OVER KNOB	1
15		387919	CHANGE-OVER LEVER HOOK	1
16		386420	HOOK SHAFT	1
17		386421	HOOK SPRING	1
18		283522	SCREW	2
19		387923	TRIGGER PIN	1
20		387924	TRIGGER PIN SPRING	1
21		283460	E RING	1
22		283528	WASHER	1
23		387925	TRIGGER LIMIT PLATE	1
24		387926	FULCRUM SHAFT	1
25		387927	RETURN SPRING	1
26		387389	E RING	2
27		387299	MODE CHANGE-OVER CONTACT	1
28		387300	MODE CHANGE-OVER SW PLATE FIXING PLATE	1
29		387929	MODE CHANGE-OVER SWITCH (ASM.)	1
30		283485	SCREW	1
31		387302	NUT	1
32		283522	SCREW	2
33		283335	START SWITCH LEAD TAPE	1
34		283322	CORD HOLDER	1
35		283522	SCREW	1
36		387362	CONNECTING SLIDER A (TOTAL ASM.)	1
37		387911	CONNECTING SLIDER A	(1)
38		387930	DRIVER CABLE (TOTAL ASM.)	(1)
39		387412	SCREW	(2)
40		387006	BAND (SMALL)	(1)
41		387928	SLIDER COVER	1
42		386528	SCREW	2
43		387418	WASHER	2
44		386528	SCREW	2
45		387912	CONNECTING SLIDER B (ASM.)	1
46		387922	EMBROIDERY RELEASE SWITCH (ASM.)	(1)
47		283485	SCREW	(1)
48		387302	NUT	(1)
49		387006	BAND (SMALL)	(1)
50		387913	SLIDER SPRING	2
51		283460	E RING	2
52		387914	SLIDER FULCRUM PLATE	1
53		387410	SCREW	2
54		387915	SLIDER WORKING PLATE (ASM.)	1
55		387154	SCREW	5

21.Y AXIS DRIVE AND FRAME HOLDER COMPONENTS



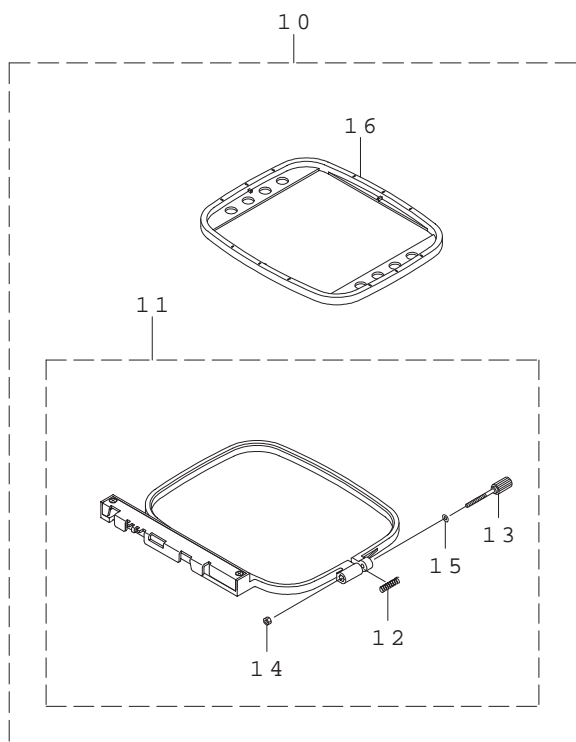
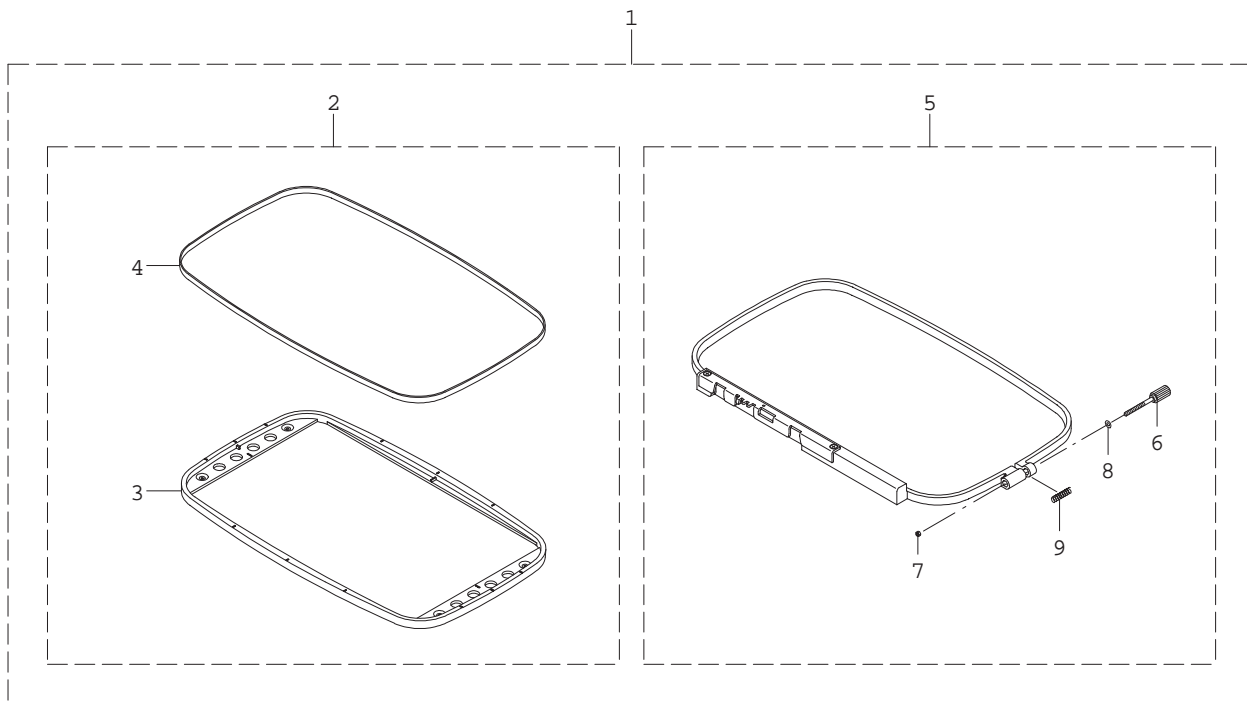
REF NO.	NOTE	PART NO.	PART DESCRIPTION	Qty
1		387304	Y COORDINATE DRIVE SHAFT	1
2		387081	FELT A	1
3		387405	SCREW	2
4		387900	Y COORDINATE DRIVE PLATE	1
5		387363	Y AXIS DETECTING SWITCH (ASM.)	1
6		387302	NUT	1
7		283485	SCREW	1
8		387902	Y AXIS BELT FIXING PLATE	1
9		387898	Y AXIS INTERMEDIATE PULLEY BRACKET (ASM.)	1
10		385352	WASHER	1
11		387897	Y AXIS INTERMEDIATE PULLEY	1
12		387314	PULLEY FLANGE	1
13		283460	E RING	1
14		387135	SCREW	1
15		387899	Y AXIS FOLLOWER GEAR BRACKET (ASM.)	1
16		385352	WASHER	1
17		387890	Y AXIS FOLLOWER GEAR	1
18		283460	E RING	1
19		387135	SCREW	1
20		387901	Y COORDINATE DRIVE BELT B	1
21		387092	Y COORDINATE DRIVE BELT A	1
22		283470	SCREW	3
23		387311	Y COORDINATE PULLEY (ASM.)	1
24		387135	SCREW	1
25		387904	FRAME HOLDER (ASM.)	1
26		387896	Y COORDINATE BELT HOLDER	1
27		386493	SCREW	1
28		387906	FRME FIXING SPRING	1
29		283491	SCREW	2
30		387098	EMBROIDERY FRAME CLAMP SPRING	1
31		283469	SCREW	1
32		387099	EMBROIDERY FRAME POSITIONING COLLAR	1
33		387133	SCREW	1
34		387905	EMBROIDERY FRAME DETECTING SWITCH GUIDE	1
35		283469	SCREW	1
36		387364	EMBROIDERY FRAME DETECTING SWITCH BOARD (ASM.)	1
37		387391	SCREW	4
38		387006	BAND (SMALL)	4
39		387100	EMBROIDERY FRAME DETECTING LEAD COVER	1
40		386508	SCREW	1
41		387910	FRAME HOLDER COVER	1
42		283522	SCREW	1

22.X AXIS DRIVE COMPONENTS

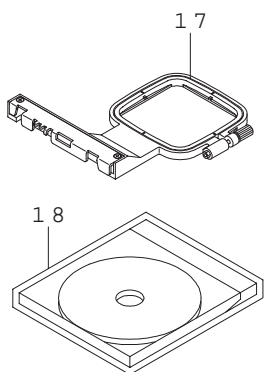
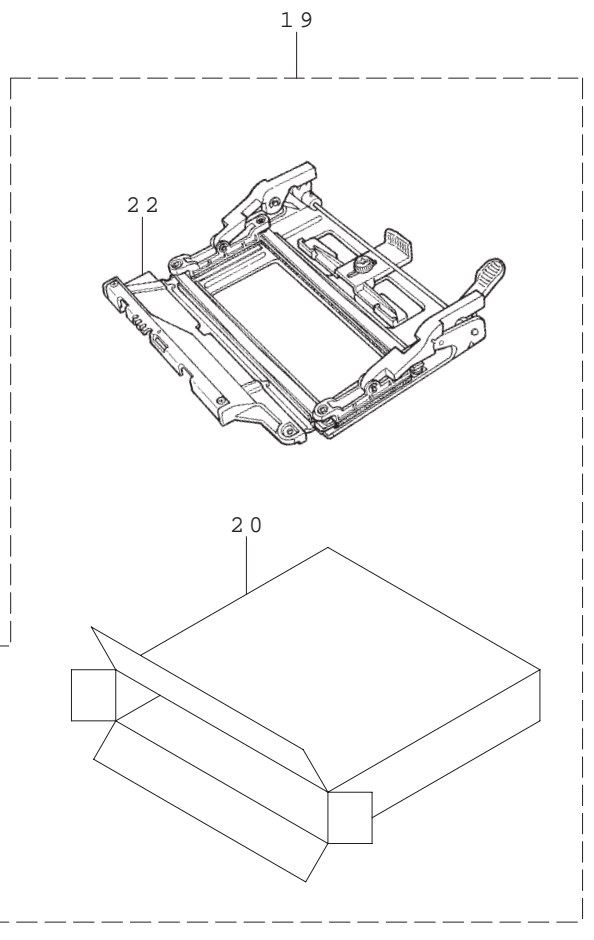


REF NO.	NOTE	PART NO.	PART DESCRIPTION	Qty
1		387903	MAIN FRAME (ASM.)	1
2		387106	X MOTOR BRACKET (ASM.)	1
3		387365	X AXIS STM	1
4		387108	X MOTOR GEAR	1
5		386522	SCREW	2
6		386493	SCREW	2
7		386377	INTERMEDIATE GEAR A	1
8		283459	E RING	1
9		283497	SCREW	3
10		283474	SCREW	1
11		387313	X COORDINATE SUBORDINATE DRIVE GEAR	1
12		387314	PULLEY FLANGE	1
13		283460	E RING	1
14		387110	X DRIVE BELT	1
15		387315	X PULLEY (ASM.)	1
16		283474	SCREW	1
17		387891	X COORDINATE DRIVE SHAFT	1
18		387114	X COORDINATE DRIVE SHAFT FELT B	1
19		387135	SCREW	2
20		387115	BELT PRESSER A	1
21		387116	BELT PRESSER B	1
22		387136	SCREW	2
23		283523	SCREW	1
24		283322	CORD HOLDER	1
25		387366	X AXIS DETECTING SWITCH (ASM.)	1
26		387302	NUT	1
27		283485	SCREW	1
28		387135	SCREW	1
29		387142	SCREW	1
30		387895	X COORDINATE DRIVE PLATE (ASM.)	1
31	*	387894	X COORDINATE DRIVE PLATE	(1)
32	*	387892	X COORDINATE DRIVE BEARING A	(2)
34	*	387120	X DRIVE SHAFT RECEPTACLE HOLDER	(2)
33		283469	SCREW	(2)
35		283335	START SWITCH LEAD TAPE	1
36		387367	Y AXIS STM	1
37		387122	Y MOTOR GEAR	1
38		386522	SCREW	2
39		386493	SCREW	2
40		387123	CORD HOLDER PLATE	1
41		386609	SCREW	2

23.ACCESSORIES PARTS COMPONENTS



OPTIONAL PARTS

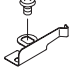


REF NO.	NOTE	PART NO.	PART DESCRIPTION	Qty
1		387932	LARGE SIZE EMBROIDERY FRAME (ASM.)	1
2		387934	LARGE SIZE EMBROIDERY INNER FRAME (ASM.)	(1)
3	*	387933	LARGE SIZE EMBROIDERY INNER FRAME	(1)
4	*	387935	LARGE SIZE EMBROIDERY INNER FRAME RUBBER	(1)
5		387931	LARGE SIZE EMBROIDERY OUTER FRAME (ASM.)	(1)
6		387126	KNOB SCREW	(1)
7		387128	NUT	(1)
8		387150	WASHER	(1)
9		387127	FRAME RELEASE SPRING	(1)
10		387937	MEDIUM SIZE EMBROIDERY FRAME (ASM.)	1
11		387936	MEDIUM SIZE EMBROIDERY OUTER FRAME (ASM.)	(1)
12		387127	FRAME RELEASE SPRING	(1)
13		387126	KNOB SCREW	(1)
14		387128	NUT	(1)
15		387150	WASHER	(1)
16		387131	MEDIUM SIZE EMBROIDERY INNER FRAME	(1)
17		387938	SMALL SIZE EMBROIDERY FRAME (ASM.)	1
18		388182	CONVERSION TOOL	1
19		388006	CONTINUOUS EMBROIDERY FRAME COMPLETE	1
20		387377	CONTINUOUS EMBROIDERY FRAME BOX	(2)
21		387374	CONTINUOUS EMBROIDERY CARD	(1)
22		388007	CONTINUOUS EMBROIDERY FRAME BASE PLATE (TOTAL ASM.)	(1)

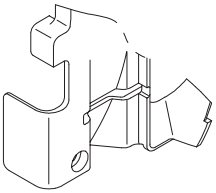

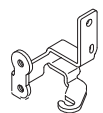
24. TABLE OF CHANGED PARTS

AND SERIAL NOS. TO WHICH CHANGE-OVER OF PARTS IS EXECUTED (1)

1

SERIAL NO	FREE ARM UNDER SIDE COVER		DF KNOB SPRING		SCREW	
	P1-6		P1-4		P1-5	
UL :100001~100460 CE :NO SAA:NO	387425 REPLACEMENT OF SINGLE PART IS NOT POSSIBLE. REPLACE WITH FREE ARM UNDER SIDE COVER(ASM.)				5	387419
UL :100461~ CE :200001~ SAA:201001~	6'	388116	4'	383881	5	2 → 1
		6':SAME PART NO.AS TATT OF OLD PART. QTY OF DF KNOB SPRING : 2 → 1				

2

SERIAL NO	FACE PLATE INSIDE COVER(ASM.)		FACE PLATE FIXING PLATE(NOTE 1.)		FACE PLATE REINFORCING PLATE	
	P1-7		P15-3		P15-36	
UL :100001~201822 CE :NO SAA:NO	7	387770	3	387763	36	387762
UL :201823~ CE :200001~ SAA:201001~	7'	388141	3'	388142	36'	388143
						

NOTE 1.P15-1 387765 FACE PLATE FIXING PLATE(TOTAL ASM.),P15-2 387764 ATTHE TIME OF REPLACING FACE PLATE FIXING PLATE(ASM.)
UL:SERIAL NO.100001~201822:ORDER FACE PLATE FIXING PLATE ONLY ADAPTING TO SERIAL NO.AND REARRANGE.

3

SERIAL NO	MICRO COMPUTER CIRCUIT BOARD(ASM.)		THREAD CHANGER TWISTING PREUENTION COMPONENTS					
	P29-38		P1-41		P5-83(2 PC.)		P15-40	
UL :100001~203324 CE :200001~200738 SAA:201001~201114	38	387361	41	388082	83	388083	40	387754 ↓ 388124
UL :203325~ CE :200739~ SAA:201115~	38'	388155	NOT USELESS				40	388124


4

SERIAL NO	BELT GUIDE(UPPER)		BELT GUIDE(LOWER)		SCREW	
	ADDITION P1-83		ADDITION P1-84		ADDITION P1-85	
UL :100001~203154 CE :200001~200729 SAA:201001~201114	NO		NO		NO	
UL :203155~ CE :200730~ SAA:201115~	83	388117	84	388118	85	283502

25. TABLE OF CHANGED PARTS

AND SERIAL NOS. TO WHICH CHANGE-OVER OF PARTS IS EXECUTED (2)

5

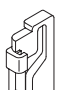
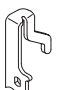
SERIAL NO	HOLDING PRESSURE CHANGE-OVER WORKING PLATE(ASM.)		HOLDING PRESSURE CHANGE-OVER ROLLER		HOLDING PRESSURE CHANGE-OVER SPRING		HOLDING PRESSURE CHANGE-OVER ROLLER SHAFT(NOTE 1)	
	P7-23		P7-24		P7-25		P7-26	
UL :100001~202671 CE :200001~200388 SAA:201001~201054	REPLACEMENT OF SINGLE PART IS NOT POSSIBLE. REPLACE WITH P7-22 387627 HOLDING PRESSURE CHANGE-OVER WORKING PLATE(ASM.)							
UL :202672~ CE :200389~ SAA:201055~	23'	388126	24'	388127	25'	387629	26'	388128
								

NOTE 1. REPLACEMENT OF SINGLE PART OF P7-26 283458 E-RING IS POSSIBLE FOR SERIAL NOS. OF UL:100001~202671,CE:200001~200388 AND SAA:201001~201054.

6



SERIAL NO	EXTERNAL WORKING BODY BEARING		INTERNAL WORKING BODY		WORKING BODY SPRING		WORKING BODY SPRING, LOWER	
	P7-37		P7-40		P7-41		P7-60	
UL :100001~203633 CE :200001~200698 SAA:201001~201108	REPLACEMENT OF SINGLE PART IS NOT POSSIBLE. REPLACE P7-37',40',41'AND 60 AS A SET.							
UL :203155~ CE :200699~ SAA:201109~	37'	388129	40'	388130	41'	387635	60	388131

7

SERIAL NO	THREADER WORKING BODY		THREADER WORKING PLATE(ASM.)	
	P13-16		P7-42	
UL :100001~ *1 CE :200001~ *1 SAA:201001~ *1	16	387478	42	387636
UL : ~ CE : ~ SAA: ~	16'	388133	42'	388134
				
				

NOTE 1. WHEN REPLACING P7-1 388132 DRIVE SHAFT FIXING PLATE(TOTAL ASM.), FOR SERIAL NOS. OF UL:100001~*1,CE:200001~*1 AND SAA:201001~*1, ORDER THREADER WORKING PLATE(ASM.) ADAPTING TO RESPECTIVE SERIAL NOS. AND REARRANGE.



8

SERIAL NO	LIFTING LEVER		LIFTING LEVER SHAFT		LIFTING LEVER E-RING	
	P7-64		P7-62		ADDITION P7-65	
UL :100001~203633 CE :200001~200918 SAA:201001~201114	REPLACEMENT OF SINGLE PART IS NOT POSSIBLE. REPLACE WITH P7-61 387502 LIFTING LEVER(ASM.)					
UL :203634~ CE :200919~ SAA:201115~	64'	388135	62'	388136	65	283460
		64 : INSERT LIFTING LEVER INTO SHAFT. 64' : STOP BOTH SIDES WITH E-RING.				

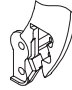
26. TABLE OF CHANGED PARTS

AND SERIAL NOS. TO WHICH CHANGE-OVER OF PARTS IS EXECUTED (3)

9

SERIAL NO	THREAD GUIDE NO.1		NEEDLE THREAD DETECTION SHIELD PLATE		NEEDLE THREAD DETECTION CIRCUIT BOARD(ASM.)		INSULATING SHEET	
	P5-72		P5-73		P5-77		P5-74	
UL :100001~202984 CE :200001~200598 SAA:201001~201074	72	387742	73	387999	77	388004	74	388005
UL :202985~ CE :200599~ SAA:201075~	72'	388120	73'	388121	77'	388122	74'	388123
								

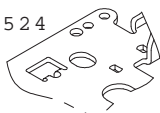
#10

SERIAL NO	FACE PLATE(ASM.)		FACE PLATE		THREATING BODY	
	P15-18		P15-42		P5-17	
UL :100001~201822 CE :NO SAA:NO	18"	388159	42"	388160	17	387674
UL :201823~ CE :200001~ SAA:201001~	18'	388157	42'	388158	17'	387392
	18":FOR OLD THREADING BODY P15-36 FACE PLATE REINFORCING PLATE IS 388143		42' : (NOTE 2) 		17' CAN BE USED WITH ALL SERIAL NOS.	

NOTE 1. UL:FOR SERIAL NO.100001~201822,WHEN REPLACING 18"388159 FACE PLATE(ASM.), IT IS NECESSARY TO REARRANGE P15-36 FACE PLATE FIXING PLATE WITH 387762(PART ATTACHED TO THE SEWING MACHINE).(SEE #3)

NOTE 2. 18"AND 42":SOME PART OF SHAPE OF 388158 IS CHANGED FOR OLD THREADING BODY.

#11

SERIAL NO	BOBBIN THREAD MECHANISM BASE		HOOK DRIVING SHAFT DEFLECTION PREVENTION COMPONENTS				HOOK DRIVING SHAFT(ASM.)	
	P23-19		P23				P21-61	
UL :100001~202984 CE :NO SAA:NO	19	387788	P23-54 387569 HOOK DRIVING SHAFT SUPPORT OF HOOK P23-55 283491 SCREW				61	387563
UL :202985~ CE :200001~ SAA:201001~	19'	388154	69	388152 HOOK DRIVING SHAFT A FIXING PLATE		58	388146	
			70	388153 HOOK DRIVING SHAFT A				
			71	283470 SCREW				
			72	388151 SCREW				
	19':HOOK DRIVING SHAFT SUPPORT A IS ADDED.  3881524		71	70	69	72	58':HOOK DRIVING SHAFT SUPPORT B(ASM.) IS ADDED. 388147	

#12

SERIAL NO	ROTATING HOOK (PARTIAL ASM.)		HOOK SHAFT(ASM.)	
	P23-3		P23-10	
UL :100001~202984 CE :200001~200598 SAA:201001~201074	REPLACEMENT OF SINGLE PART IS NOT POSSIBLE REPLACE WITH 3'AND 10'AS A SET.			
UL :202985~ CE :200599~ SAA:201075~	3'	388149	10'	388150

27. TABLE OF CHANGED PARTS

AND SERIAL NOS. TO WHICH CHANGE-OVER OF PARTS IS EXECUTED (4)

13

SERIAL NO	NEEDLE BAR CRANK WASHER	
	P9-38	
UL : 100001~202984 CE : 200001~200598 SAA : 201001~201074	38	387420
UL : 202985~ CE : 200599~ SAA : 201075~		ABOLITION

Free Manuals Download Website

<http://myh66.com>

<http://usermanuals.us>

<http://www.somanuals.com>

<http://www.4manuals.cc>

<http://www.manual-lib.com>

<http://www.404manual.com>

<http://www.luxmanual.com>

<http://aubethermostatmanual.com>

Golf course search by state

<http://golfingnear.com>

Email search by domain

<http://emailbydomain.com>

Auto manuals search

<http://auto.somanuals.com>

TV manuals search

<http://tv.somanuals.com>