

AV Cordless System

Operating Instructions

Owner's record

The model and serial numbers are located on the bottom. Record the serial number in the space provided below. Refer to these numbers whenever you call upon your Sony dealer regarding this product.

Model No. **IFV-TR1K**

Serial No. _____



IFV-TR1K

Sony Corporation © 1997 Printed in Japan

WARNING

To prevent fire or shock hazard, do not expose the unit to rain or moisture.

For the customers in the U.S.A.



This symbol is intended to alert the user to the presence of important operating and maintenance (servicing) instructions in the literature accompanying the appliance.

WARNING

This equipment has been tested and found to comply with the limits for a Class B digital device, pursuant to Part 15 of the FCC Rules. These limits are designed to provide reasonable protection against harmful interference in a residential installation. This equipment generates, uses, and can radiate radio frequency energy and, if not installed and used in accordance with the instructions, may cause harmful interference to radio communications. However, there is no guarantee that interference will not occur in a particular installation. If this equipment does cause harmful interference to radio or television reception, which can be determined by turning the equipment off and on, the user is encouraged to try to correct the interference by one or more of the following measures:

- Reorient or relocate the receiving antenna.
- Increase the separation between the equipment and receiver.
- Connect the equipment into an outlet on a circuit different from that to which the receiver is connected.
- Consult the dealer or an experienced radio/TV technician for help.

You are cautioned that any changes or modifications not expressly approved in this manual could void your authority to operate this equipment.

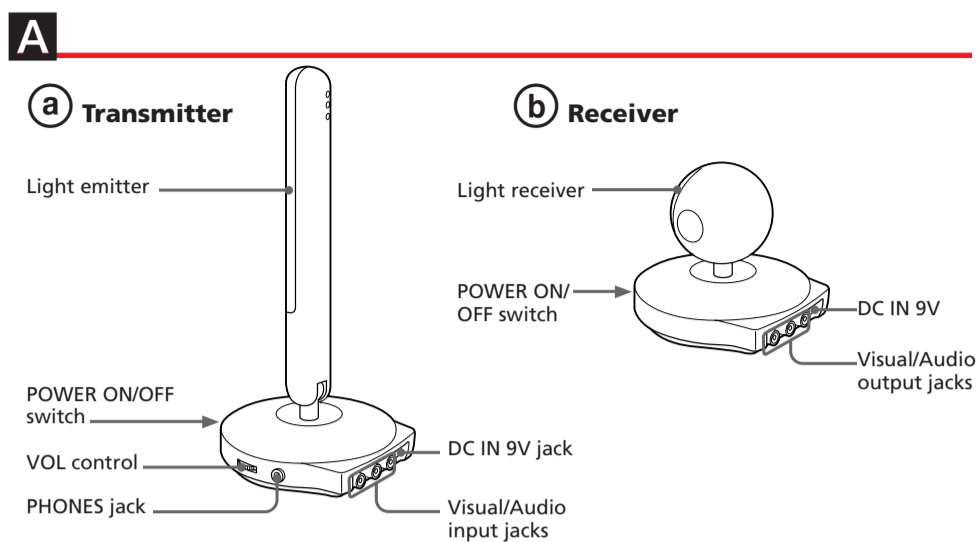
For the customers in Canada

CAUTION

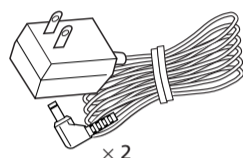
TO PREVENT ELECTRIC SHOCK, DO NOT USE THIS POLARIZED AC PLUG WITH AN EXTENSION CORD, RECEPTACLE OR OTHER OUTLET UNLESS THE BLADES CAN BE FULLY INSERTED TO PREVENT BLADE EXPOSURE.

AC power cord plug

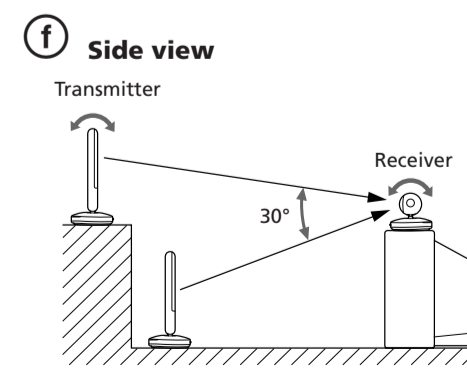
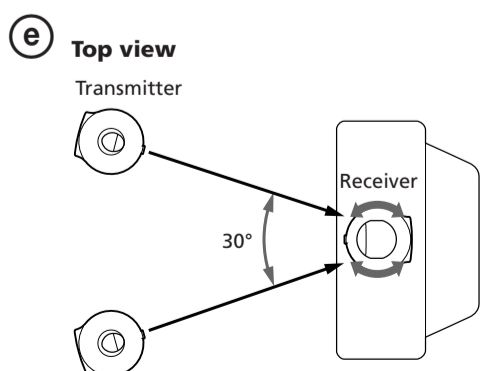
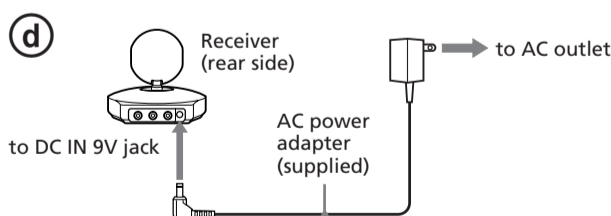
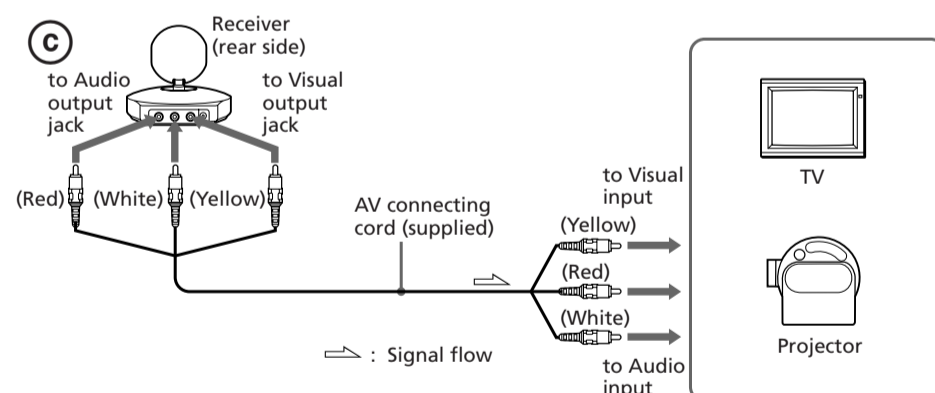
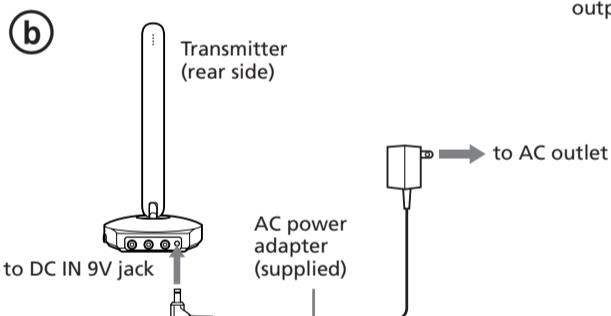
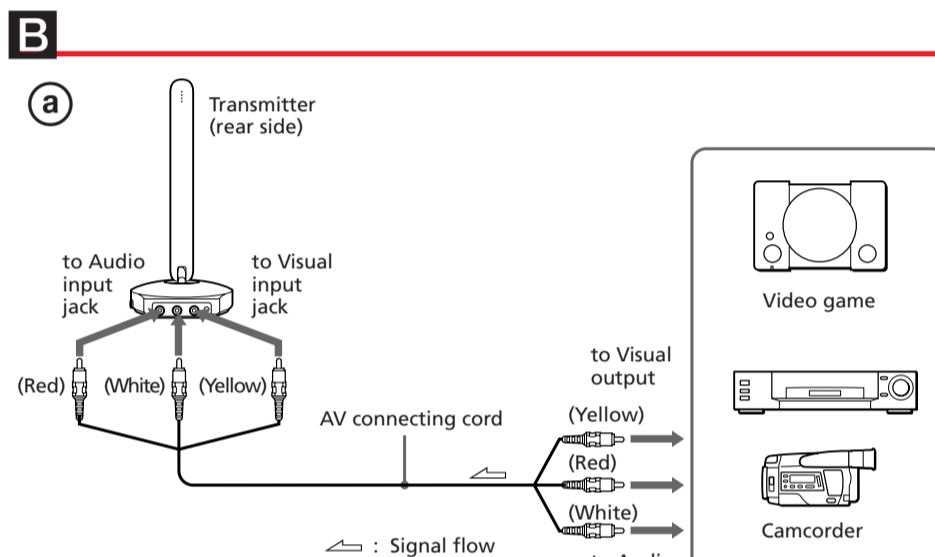
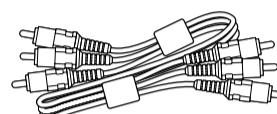
One blade of the plug is wider than the other for the purpose of safety and will fit into the power outlet only one way. If you are unable to insert the plug fully into the outlet, contact your dealer.



(c) AC power adapters



(d) AV connecting cord



Before operating the unit, please read this manual thoroughly and retain it for future reference.

Features

The IFV-TR1K is an AV cordless system which uses infrared rays. Connect the transmitter to video equipment such as a camcorder or video game, and the receiver to a TV. You can enjoy playing back your video tape on TV without connecting between the TV and video equipment.

Contents

- Transmitter (1)** (See fig. A-①) The transmitter emits infrared rays to the receiver.
- Receiver (1)** (See fig. A-②) The receiver receives infrared rays from the transmitter.
- AC power adapters (2)** (See fig. A-③) These adapters supply house current to the receiver and the transmitter.
- AV connecting cord (1)** (See fig. A-④) Connecting the transmitter to video equipment such as a camcorder or video game.
- Connecting the receiver to a TV (or a monitor).

Preparations

Preparing the transmitter

- 1 Connect the transmitter to video equipment such as a camcorder or video game with AV connecting cord. (See fig. B-①)
- 2 Connect the supplied AC power adapter to DC IN 9V of the transmitter. (See fig. B-②)
- 3 Connect the supplied AC power adapter to an AC outlet.

Preparing the receiver

- 1 Connect the receiver to a TV with the supplied AV connecting cord. (See fig. B-③)
- 2 Connect the supplied AC power adapter to DC IN 9V of the receiver. (See fig. B-④)
- 3 Connect the supplied AC power adapter to an AC outlet.

The receiver can face up, down, left or right, and the transmitter can face upwards as needed. (See fig. B-⑤, ⑥)

If your TV or VCR is a monaural type

Connect the yellow plug for video and connect only the white plug for audio on both the receiver and the TV or VCR. With this connection, the sound is monaural.

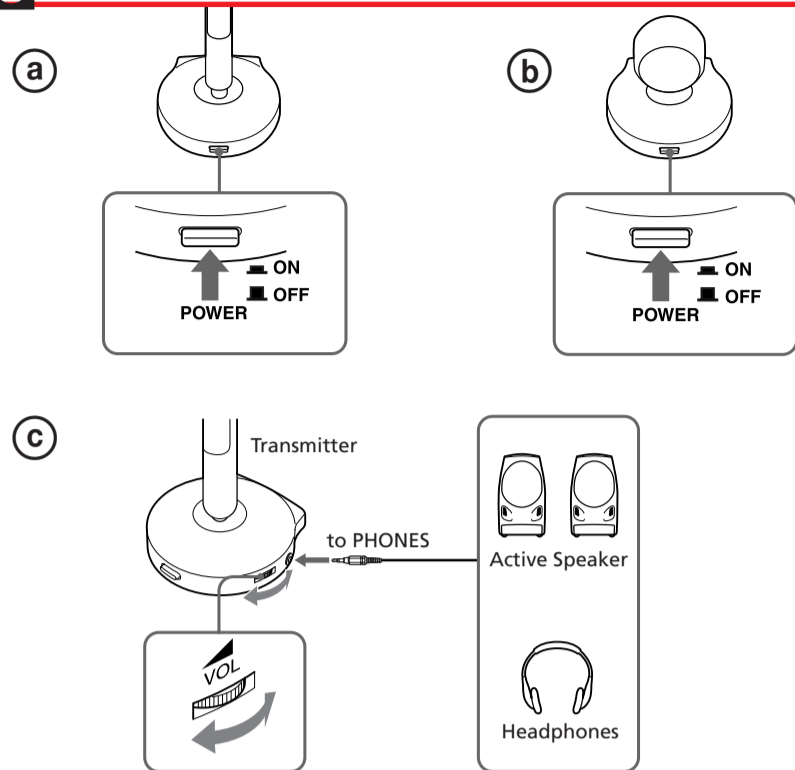
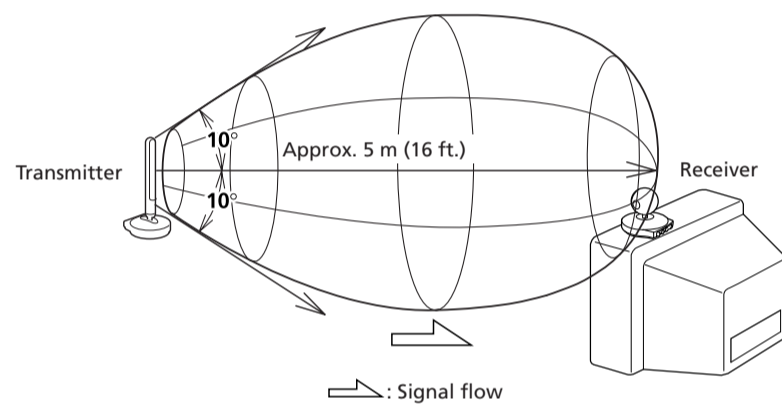
Notes

- To connect the receiver to an AC outlet, use only supplied AC power adapter, because the polarity of the supplied adapter is opposite of conventional adapters. Do not use the supplied AC power adapter for other electric appliances with a DC IN 9 V jack.



Polarity of the plug

- To connect more than one appliance to the transmitter, use an AV selector such as the SB-V30G, SB-V40, etc. (optional).

C**E**

Using This System

The following example details the connection of the transmitter to a camcorder. Please refer to the operation manual supplied with your video equipment such as camcorder or video game.

- 1 Turn on the camcorder or the video game connected to the transmitter.
- 2 Press POWER on the receiver to turn it on (ON). (See fig. C-2)
- 3 Turn the TV on.
- 4 Set the POWER switch on the transmitter to ON. (See fig. C-1)
- 5 Start the playback by turning on the camcorder or the video game.
- 6 Adjust the angle and direction of both the transmitter and receiver.
Make sure that the infrared receiver and the transmitter face each other when you use the system.

Using a headphones (See fig. C-3)

Connect the headphones to the PHONES jack. Adjust the volume with the VOL control.

After using this system

Press POWER on the transmitter and the receiver to turn them off (OFF). The Power lamp goes off.

Coverage of the infrared rays (See fig. E)

The diagrams illustrate the approximate area covered by the infrared rays. Position the transmitter and the receiver within the area so that the units operate effectively.

Notes

- Select the input of the receiver with the input selector on the TV.
- If the angle of the transmitter or receiver is adjusted past the movable range as illustrated, it can cause a malfunction.
- Do not cover the light emitter or receiver of the transmitter or the receiver with your hand, etc.
- The infrared rays will not penetrate walls or opaque glass. Therefore, the infrared receiver must be used within the "in sight" area of the transmitter.
- The brightness of the transmitter's light emitter is not necessarily stabilized. This is not a malfunction and does not affect the infrared coverage distance.
- Noise and beats appears when the transmitter and the receiver are positioned too close.

Troubleshooting

If you run into any problem using the system, first check the power supply source. Then use the following table for troubleshooting. Should the difficulty persist, disconnect the power source and contact your Sony dealer or local authorized Sony service facility.

| Trouble | Cause and/or remedy |
|--|---|
| No picture and no sound at all. | The AC power adapter is not connected to the AC outlet. → Connect the AC power adapter to the AC outlet. AV connecting cord is not connected correctly. → Connect the AV connecting cord correctly. The POWER of the transmitter is turned off (OFF). → Press the POWER button to turn on the transmitter (ON). Direct sunlight is shining on the light receiver of the receiver. → Avoid direct sunlight. |
| The infrared transmission system does not operate. | The POWER of the receiver is turned off (OFF). → Press the POWER button to turn on the receiver (ON). The transmitter and receiver are not facing each other. → Adjust the position and angle of both units. The receiver is positioned too far from the transmitter. → Use the transmitter near the receiver. |
| Background noise and unclear picture. | The transmitter and receiver are not facing each other. → Adjust the position and angle of both units. Another infrared emitting appliance is operating. → Stop operating it. |

Precautions

On safety

- Unplug the AC power adapter from the AC outlet when it will not be used for a long period of time. To disconnect the AC power adapter, pull it out by the plug. Never pull the cord itself.
- Do not open the cabinet. Refer servicing to qualified personnel only.
- Be sure that nothing metallic comes into contact with the metal parts of the AC power adapter. If it does, a short circuit may occur and the unit may be damaged.

Operation

- Do not place the units in a location where it is:
 - Extremely hot or cold
 - Dusty or dirty
 - Very humid
 - Vibrating
- Do not apply mechanical shock or drop the units.
- The units become warm during the use, but this does not indicate a malfunction.
- Avoid exposing any part of the receiver's light receiver to strong rays such as direct sunlight or inverter fluorescent lamp rays or to another infrared ray source such as a remote commander.
- Do not place any obstructions between the transmitter and receiver, or the visual and sound will disappear.
- Do not use this system with another infrared ray transmitter such as cordless headphones or two pairs of this system at the same time. The signals may become mixed.

On cleaning and care

- Clean the units with a soft cloth slightly moistened with water or mild detergent solution.
- Do not use alcohol, benzine or thinner to clean the units, as they may mar the finish.

Specifications

Transmitter

| | |
|-----------------------|--|
| Video input | Pin jack (1): 1 Vp-p, 75 ohms, unbalanced, sync negative |
| Audio input | Pin Jack (2: L, R): -10 dBs, Input impedance: more than 47 kilohms |
| Audio output | Stereo mini jack |
| Operating temperature | 0°C to 40°C (32°F to 104°F) |
| Storage temperature | -20°C to 60°C (-4°F to 140°F) |
| Dimensions | Approx. 95 x 230 x 100 mm (3 3/4 x 9 1/8 x 4 inches) (w/h/d) (jack and projected parts not included) |
| Mass | Approx. 130 g (4.6 oz) |

Receiver

| | |
|-----------------------|---|
| Video output | Pin jack (1): 1 Vp-p, 75 ohms, unbalanced, sync negative (When POWER is ON) |
| Audio output | Pin jack (2: L, R): -10 dBs, Output impedance: less than 10 kilohms (When POWER is ON) |
| Operating temperature | 0°C to 40°C (32°F to 104°F) |
| Storage temperature | -20°C to 60°C (-4°F to 140°F) |
| Dimensions | Approx. 95 x 95 x 100 mm (3 3/4 x 3 3/4 x 4 inches) (w/h/d) (jack and projected parts not included) |
| Mass | Approx. 130 g (4.6 oz) |

AC power adapter

| | |
|--------|----------------|
| Input | AC 120 V 60 Hz |
| Output | DC 9 V 600 mA |

Supplied accessories AC power adapter (2)
AV connecting cord (1)

Design and specifications are subject to change without notice.

Free Manuals Download Website

<http://myh66.com>

<http://usermanuals.us>

<http://www.somanuals.com>

<http://www.4manuals.cc>

<http://www.manual-lib.com>

<http://www.404manual.com>

<http://www.luxmanual.com>

<http://aubethermostatmanual.com>

Golf course search by state

<http://golfingnear.com>

Email search by domain

<http://emailbydomain.com>

Auto manuals search

<http://auto.somanuals.com>

TV manuals search

<http://tv.somanuals.com>