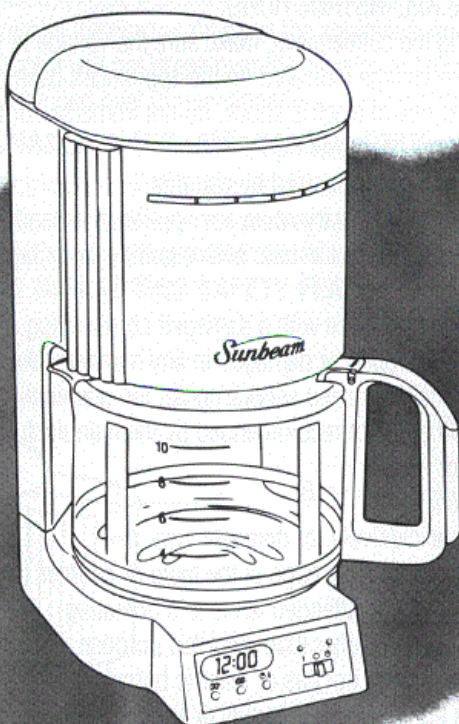


Sunbeam®



MODELS/MODELOS 3256, 3257 & 3258
MODÈLES/MODELOS

**Instruction Manual
10-CUP PROGRAMMABLE COFFEEMAKER**

**Manuel d'Instructions
CAFETIÈRE PROGRAMMABLE 10 TASSES**

**Manuel d'Instrucciones
CAFETERA PROGRAMABLE DE 10 TAZAS**

**Manual d'Instruções
CAFETEIRA PROGRAMÁVEL PARA 10 XÍCARAS**

IMPORTANT SAFEGUARDS

When using electrical appliances, basic safety precautions must always be followed, including the following:

1. READ AND SAVE ALL INSTRUCTIONS.
2. Before connecting the coffeemaker, make sure the voltage in your outlet is the same as the voltage indicated on the appliance's base plate.
3. To protect against risk of electric shock, do not immerse cord, plug or appliance in water or any other liquid.
4. This appliance should not be used by children.
5. Close supervision is necessary when any appliance is used near children.
6. Unplug from outlet when not in use, before putting on or taking off parts and before cleaning.
7. Do not operate any appliance with a damaged cord or plug or after the appliance malfunctions or is dropped or damaged in any manner. Take it to the nearest Sunbeam Appliance authorized service center for examination, repair, or adjustment.
8. The use of attachments not recommended by the manufacturer may cause fire, electrical shock or injury.
9. Do not use outdoors.
10. This appliance is exclusively for domestic use.
11. Do not let cord hang over the edge of the table or counter, or touch hot surfaces.
12. Do not leave appliance unattended while it is operating.
13. Do not use appliance for other than intended purpose.
14. Do not place on or near a hot gas or electric burner or in a heated oven or microwave.
15. Do not touch hot surfaces. Use handles or knobs.
16. Keep lid on carafe while serving coffee and brewing.
17. This carafe was designed for use with this coffeemaker only. It must never be used on a range top.
18. Do not set a hot carafe on a wet or cold surface.
19. Do not use a cracked carafe or a carafe with a loose or weakened handle.
20. Do not clean carafe with abrasive cleanser, steel wool pads, or other abrasive material.
21. Do not pour liquid other than water and the cleaning solution specified in this manual into the water reservoir. (See instructions for cleaning the coffeemaker.)
22. Do not move entire unit when carafe contains hot liquid.
23. Do not remove bottom cover; no user serviceable parts inside.

SAVE THESE INSTRUCTIONS

THIS UNIT FOR HOUSEHOLD USE ONLY

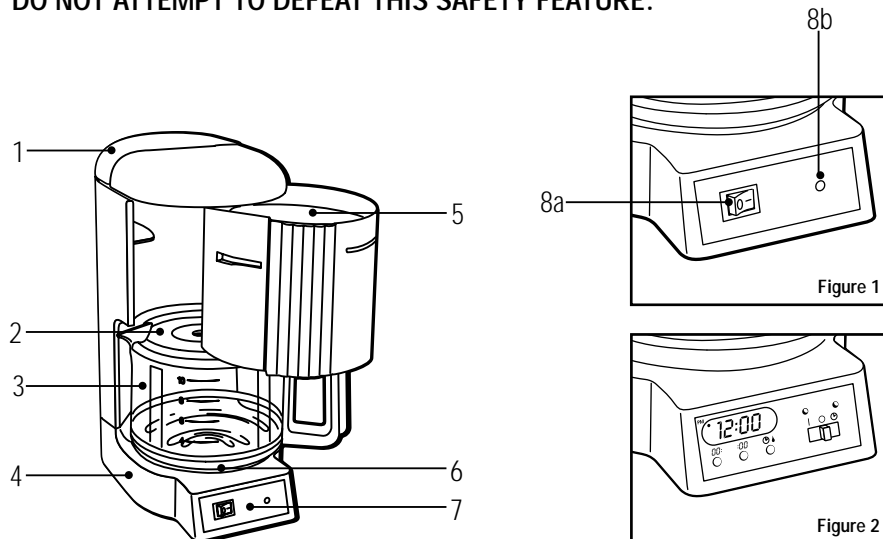
SHORT CORD INSTRUCTIONS

- A short power supply cord is provided with your 4-cup coffeemaker to reduce the risk resulting from becoming entangled in or tripping over a longer cord.
- Extension cords are available and may be used if care is exercised in their use.
- If an extension cord is used, (1) the marked electrical rating of the extension cord should be at least as great as the electric rating of the appliance, and (2) the cord should be arranged so that it will not drape over the counter or tabletop where it can be pulled on by children or tripped over unintentionally.

FOR PRODUCTS PURCHASED IN U.S. AND CANADA ONLY:

- To reduce the risk of electrical shock, this appliance has a polarized plug (one blade is wider than the other), as a safety feature. This plug will fit in a polarized outlet only one way. If the plug does not fit, contact a qualified electrician.

DO NOT ATTEMPT TO DEFEAT THIS SAFETY FEATURE.



KNOW YOUR SUNBEAM® COFFEEMAKER

1. Water Chamber
2. Carafe Lid
3. Carafe
4. Base
5. Filter Basket
6. Warming Plate
7. Control Panel

Figure 1.

Control panel for Model 3256.

8a. On/Off Switch

8b. On Light

Figure 2.

Control panel for Deluxe Coffeemaker Model 3258.

See Special Instructions for this Model.

SPECIAL CARE FOR YOUR CARAFE

A damaged carafe may result in possible burns from hot liquid.

To avoid breaking the carafe:

- Do not allow all liquid to evaporate from carafe. Do not heat carafe when empty.
- Discard carafe if damaged in any manner. A chip or crack could result in breakage or contaminate liquid contents with glass particles.
- Never use abrasive scouring pads or cleansers as they may scratch and weaken the glass.
- Do not place carafe on or near a hot gas or electric burner, in a heated oven or in a microwave oven.
- Avoid rough handling and sharp blows.

BEFORE YOU USE YOUR COFFEEMAKER

- Before preparing coffee in your new Sunbeam® coffeemaker for the first time, thoroughly clean the carafe, carafe lid, removable filter basket, the permanent filter and water chamber cover in hot, soapy water.
- Rinse and dry.
- Replace disassembled parts.
- Clean the inside of the coffeemaker by brewing two full carafes of tap water (see 'Brewing instructions'). Do not place coffee in filter basket for this initial cleaning.

Note: At the end of first cycle, turn coffeemaker off and wait ten minutes.

Brew second carafe of water.

CARE AND CLEANING OF YOUR COFFEEMAKER

- Always make sure coffeemaker is unplugged and warming plate is cool before attempting to clean.
- After daily use, filter basket and carafe should be washed in hot, soapy water.
- Wipe base with a damp cloth to remove superficial stains.
- For stubborn stains, use a nylon or plastic pad with a non-abrasive cleanser.
- Do not use metal scouring pads or abrasive cleansers.

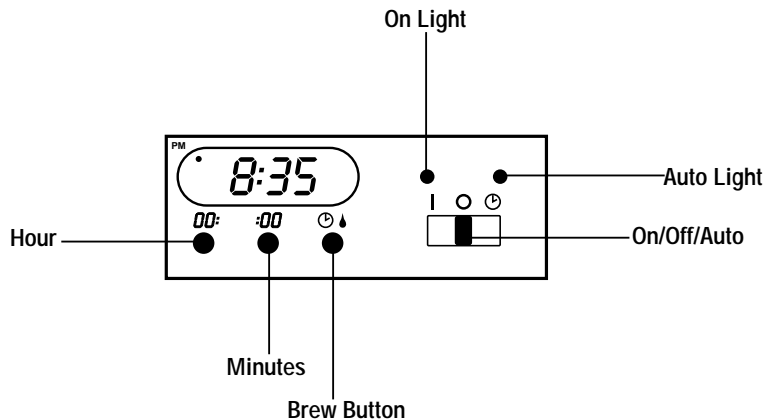
Special cleaning of your coffeemaker is recommended at least once a month, depending on frequency of use and quality of water used in the unit. If water in your area is especially hard, the following cleaning procedure should be performed every two weeks, since minerals in water can detract from the flavor of the coffee and possibly lengthen brew time.

1. Fill carafe with one part white vinegar to three parts cold water. Pour water and vinegar solution into the water chamber.

2. Place filter without coffee in the basket and swing to closed position. Place carafe on warming plate. Switch control to "On". During cleaning more steam will occur than during normal brewing.
3. KEEP THE COFFEEMAKER ON UNTIL CARAFE IS HALF FULL. Switch control to "Off". When liquid stops dripping from filter basket into the carafe, remove the basket and carafe and allow liquid to cool in the carafe for 15 minutes. When cooled, pour liquid back into the water chamber.
4. Replace basket and return carafe to hot plate.
5. Switch control to "On". Repeat procedure allowing all the cleaning solution to empty into the carafe. After dripping has stopped discard contents of carafe.
6. After allowing coffeemaker to cool for 10 minutes, rinse it out by brewing without coffee a carafe full of cold water.
7. At end of brew cycle, switch control to "Off". Discard water in the carafe. Remove filter and wash carafe and filter basket in hot soapy water. Dry parts.
8. When coffeemaker has cooled, wipe base with a dry cloth.

Any servicing requiring disassembly other than the above cleaning should be performed by an Authorized Service Representative.

SPECIAL INSTRUCTIONS: Only for Deluxe Coffeemaker model.
How to use the electronic timer and auto off function.



SETTING THE CLOCK

1. Press "Hour" button and hold in until the correct hour shows on the clock, then release. Note the "P.M." indicator on the display.
2. Press "Minute" button and hold in until the correct minute shows on the clock, then release.

Note: Manual "On" mode will not function until clock time is set with hour and minute buttons. "Automatic" mode can be selected before clock time is set by sliding switch to "Off" first and then to "Auto".

SETTING THE TIMER

1. Press "Brew" button and hold in. Press "Hour" and "Minute" buttons until desired brew time is reached, then release the "Brew" button.
2. Slide switch to "Auto" and brewing cycle will begin automatically at the set brewing time. The warming plate will remain on for 1 hour and 59 minutes after brewing starts. To continue warming after automatic brewing is completed, slide switch to "Off" then to "On". If unit has cycled off, the switch must be set to the "Off" position before the unit can be reset.
3. If left in "On" or "Auto" mode the coffeemaker will automatically shut off in 1 hour and 59 minutes. No need to worry about leaving coffeemaker on accidentally.

Note: The coffeemaker will not repeat the automatic brewing cycle in 24 hours unless the slide switch is moved to the "Off" position first, then back to "Auto" to reset the automatic feature.

TO SET MANUAL MODE

1. Slide switch to "On" position. Brew cycle will start and continue for 1 hour and 59 minutes. The unit will automatically shut off after this time.
2. When cycle ends, no further brew cycles will be allowed until the switch is moved to "Off" and then back to "On". This will start another brew cycle of 1 hour and 59 minutes duration.
3. The display will show "real" time during the 1 hour and 59 minute brewing cycle in both "Manual" and "Auto" modes.

BREWING INSTRUCTIONS

1. Plug coffeemaker into any outlet.
 2. Fill carafe with cold tap water and pour into water chamber. Markings in the reservoir indicate level of water required to brew desired number of cups. Not less than two cups is recommended when using this unit.
- Note:** The amount of brewed coffee will always be less than the amount of water placed into coffeemaker.
3. Place filter in basket. Measure one level tablespoon of drip or regular grind coffee for each cup of coffee desired. For stronger or milder coffee, adjust amount of coffee to suit your taste.
 4. Return filter basket to closed position.
 5. Place carafe on warming plate.
 6. Switch control to "On". The "On" light will indicate unit is in operation.

7. If you wish to serve a cup of coffee before brew cycle is completed, simply remove carafe from warming plate. Dripping will automatically cease. Return carafe to position on warming plate within 30 seconds; dripping will resume.
8. Upon completion of the brew cycle, wait about one minute until the brew drip from the filter basket into the carafe has stopped. Carafe lid should be kept in place to facilitate safe serving and help keep coffee at proper serving temperature.
9. To keep coffee hot, return carafe to the warming plate after serving. The warming plate will automatically cycle to maintain ideal serving temperature as long as the coffeemaker is on.
10. Switch to "Off" when carafe is empty or when unit is not in use.

BREWING A SECOND POT OF COFFEE

It is recommended that the coffeemaker should be in "Off" position for 10 minutes between cycles, in order to allow unit to cool. While unit is in "Off" position dispose of used coffee and rinse carafe, filter and filter basket in water. Place filter back into basket. Repeat brewing procedure.

HINTS FOR GREAT TASTING COFFEE

- A clean coffeemaker is essential for making great tasting coffee. Regular cleaning, as specified in "Care and Cleaning of your Coffeemaker" is highly recommended.
- Always use fresh, cold water in your coffeemaker.
- Fine ground coffee promotes fuller extraction and provides rich, full-bodied coffee. Regular grind will require slightly more coffee per cup to provide the strength of a finer grind.
- Store coffee in a cool, dry place. Once coffee has been opened, keep it tightly sealed in the refrigerator to maintain freshness.
- For optimum coffee, buy whole beans and grind them finely in your Sunbeam Blender just before brewing.
- Do not re-use coffee grounds since this will greatly impair coffee flavor.
- Reheating coffee is not recommended. Coffee is at its peak flavor immediately after brewing.
- Small oil droplets on the surface of brewed black coffee are due to the extraction of oil from the coffee grounds. Oiliness may occur more frequently if heavily roasted coffees are used. Over extraction may also cause oiliness indicating a need to clean your coffeemaker.

2 YEAR LIMITED WARRANTY

Sunbeam Products Inc. warrants that, for a period of two years from date of purchase, this product shall be free of mechanical and electrical defects in material and workmanship. Our obligation hereunder is limited to repair or replacement, at manufacturer's option, of this product during the warranty period, provided that the product(s) purchased in the United States are sent postage prepaid directly to:

**SUNBEAM APPLIANCE SERVICE STATION
117 Central Industrial Row
Purvis, MS 39475**

Answers to questions regarding this warranty or your nearest U.S.A. authorized service location may be obtained by calling toll free 1-800-597-5978 or by writing to Sunbeam - Consumer Affairs at P.O. Box 948389, Maitland, Florida 32794-8389.

For products purchased in Canada please return them, postage prepaid, directly to:

**SUNBEAM APPLIANCE SERVICE STATION (KND)
Please call 1-800-667-8623 or email us
consumeraffairs@consumer.sunbeam.com**

Answers to questions regarding this warranty or your nearest Canadian authorized service location may be obtained by calling toll free in Canada 1-800-667-8623.

For warranty information or an authorized service location outside of the United States and Canada please see the warranty service card inserted in the product packaging.

DO NOT RETURN THIS PRODUCT TO THE
PLACE OF PURCHASE; DOING SO MAY DELAY
THE PROCESSING OF YOUR WARRANTY CLAIM.

This warranty does not cover normal wear of parts or damage resulting from any of the following: negligent use or misuse of the product, use on improper voltage or current, use contrary to operating instructions, or disassembly, repair, or alteration by any person other than an authorized service center. Product repair or replacement as provided under this warranty is your exclusive remedy. Sunbeam Products Inc. shall not be liable for any incidental or consequential damages for breach of any expressed or implied warranty on this product. Except to the extent prohibited by applicable law, any implied warranty of merchantability or fitness for a particular purpose on this product is limited in duration to the duration of the above warranty. Some states and provinces do not allow the exclusion or limitation of incidental or consequential damages, or allow limitation on how long an implied warranty lasts, so the above limitations or exclusion may not apply to you. This warranty gives you specific legal rights, and you may also have other rights which vary state to state or province to province.

PRÉCAUTIONS IMPORTANTES

Lors de l'utilisation d'appareils électriques toujours prendre les précautions nécessaires, incluant celles qui suivent:

1. LISEZ ET CONSERVEZ TOUTES LES DIRECTIVES.
2. Avant de brancher la cafetière, assurez-vous que la tension de votre prise est identique à celle qui figure sur la plaque du socle de l'appareil.
3. Pour vous protéger des risques d'électrocution, ne plongez jamais le cordon, ou la cafetière dans l'eau ou tout autre liquide.
4. Ne laissez pas les enfants se servir de cet appareil.
5. Faites particulièrement attention lorsque l'appareil est utilisé par, ou en présence d'enfants.
6. Débrancher l'appareil lorsqu'il n'est pas utilisé, avant d'y placer ou y retirer des pièces et avant de le nettoyer.
7. Ne pas faire fonctionner un appareil dont le fil ou la fiche est endommagé ou après que l'appareil ait mal fonctionné, qu'il ait été échappé ou endommagé d'une façon quelconque. Retourner l'appareil au centre de service autorisé pour fin de vérification ou réparation.
8. L'utilisation d'accessoires non recommandés par le fabricant peut causer d'incendie, électrocution ou des blessures.
9. Ne pas l'utiliser à l'extérieur.
10. Cet appareil est exclusivement destiné à usage domestique.
11. Ne pas laisser le fil pendre de la table ou d'un comptoir et éviter qu'il touche à une surface chaude.
12. Ne laissez pas cet appareil sans surveillance lorsqu'il fonctionne.
13. Ne pas utiliser la cafetière autre que pour son utilisation intentionnelle.
14. Ne pas placer sur ou près d'un poêle chaud ou dans un four chaud ou dans un four micro - ondes ordinaire.
15. Éviter de toucher les surfaces chaudes. Utiliser les manivelles ou les interrupteurs.
16. Gardez le couvercle sur la carafe durant la préparation et le service du café.
17. Cette carafe est conçue pour être utilisée exclusivement avec cette cafetière.
18. Ne déposez jamais une carafe chaude sur une surface froide ou mouillée.
19. Mettez au rebut une carafe endommagée d'une quelconque façon ou dont la poignée est affaiblie ou branlante.
20. Ne pas nettoyer la carafe avec des recurants abrasifs.
21. Évitez de verser dans le réservoir d'eau des liquides autres que de l'eau et la solution de nettoyage spécifiée dans le présent manuel. (Consultez les directives de nettoyage de la cafetière.)
22. Évitez de déplacer l'appareil complet pendant que la carafe contient du liquide chaud.
23. Évitez de retirer le couvercle inférieur. Il n'y a aucune pièce à l'intérieur qui peut faire l'objet d'entretien.

CONSERVEZ CES INSTRUCTIONS

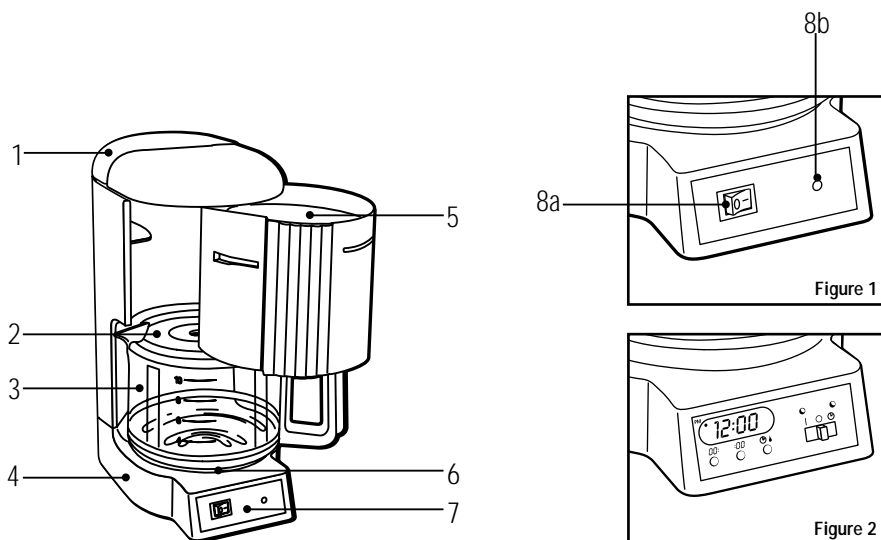
CET APPAREIL EST POUR USAGE DOMESTIQUE SEULEMENT

DIRECTIVES POUR CORDON COURT

- Cette cafetière est livrée avec un cordon d'alimentation court pour réduire les risques d'enchevêtrement ou de trébuchement accidentel.
- Si nécessaire, utiliser une rallonge électrique, en faisant preuve de précaution.
- La capacité électrique nominale de la rallonge (1) devra être au minimum égale à la puissance électrique nominale de l'appareil and, (2) placer le cordon d'alimentation de manière à ce qu'il ne pende pas du comptoir ou de la table, où il pourrait être accessible aux enfants ou provoquer un trébuchement par inadvertance.

PRODUITS ACHETÉS AUX ÉTATS-UNIS ET AU CANADA UNIQUEMENT:

- Pour réduire le risque de choc électrique, cet appareil est doté d'une fiche polarisée (une broche est plus large que l'autre), cette fiche ne va que dans un sens seulement sur une prise de courant polarisée. Si la fiche ne s'enfonce pas complètement dans la prise, la retourner et essayer de nouveau. Si elle ne s'adapte toujours pas à fond, consulter un électricien qualifié.
VEILLEZ À RESPECTER LES MESURES DE SECURITÉ DE LA PRISE POLARISÉE.



POUR BIEN CONNAÎTRE VOTRE CAFETIÈRE SUNBEAM®

1. Réservoir à Eau
2. Couvercle de la Carafe
3. Carafe
4. Socle
5. Panier Filtreur
6. Plaque Réchaud
7. Panneau de Commandes

Figure 1.

Panneau de Commandes pour le modèle 3256.

8a. Interrupteur d'Alimentation

8b. Témoin Indicateur de Mise Sous Tension

Figure 2.

Panneau de Commandes pour la cafetière de luxe modèle 3258

Consultez les directives spéciales pour ce modèle

SOINS SPÉCIAUX DE VOTRE CARAFE

Une carafe endommagée peut entraîner des brûlures par le déversement de liquide chaud.

Pour éviter de briser la carafe:

- Évitez de laisser le liquide s'évaporer de la carafe. Ne faites jamais chauffer une carafe vide.
- Mettez au rebut une carafe endommagée d'une quelconque façon ou dont la poignée est affaiblie ou branlante. Un éclat, une écaillure, une fente ou une fissure peut produire un bris ou contaminer le contenu de particules de verre.
- Évitez d'utiliser des tampons à récurer ou des agents nettoyants abrasifs, qui peuvent égratigner et affaiblir le verre.
- Ne pas placer sur ou près d'un poêle chaud ou dans un four chaud ou dans un four micro - ondes ordinaire.
- Évitez de manier la cafetière de façon brutale ou de lui infliger des coups durs.

AVANT D'UTILISER VOTRE CAFETIÈRE

- Avant de préparer du café dans votre nouvelle cafetière Sunbeam®, nettoyez la carafe, son couvercle et le panier filtreur à fond avec de l'eau chaude savonneuse.
- Rincez et asséchez.
- Remettez en place les pièces démontées.
- Nettoyez l'intérieur de la carafe en préparant deux carafes pleines d'eau courante (consultez la section « Directives de préparation du café »). Ne versez aucun café dans le panier filtreur pour ce nettoyage initial.

Nota: À la fin du premier cycle, mettez la cafetière hors tension et attendez dix minutes. Ensuite, préparez la deuxième carafe d'eau.

ENTRETIEN ET NETTOYAGE DE VOTRE CAFETIÈRE

- Assurez-vous toujours que la cafetière est débranchée et la plaque réchaud fraîche au toucher avant de tenter un nettoyage.
- Après utilisation quotidienne, vous devez laver le panier filtreur et la carafe dans de l'eau chaude savonneuse.
- Essuyez le socle à l'aide d'un chiffon humide pour enlever les taches superficielles.
- Pour éliminer les taches rebelles, servez-vous d'un tampon en plastique ou en nylon et d'un nettoyant non abrasif.
- N'utilisez jamais de tampon à récurer métallique ou de nettoyant abrasif.

Nous recommandons d'effectuer un nettoyage spécial de la cafetière au moins une fois par mois, selon la fréquence d'utilisation et la qualité de l'eau qu'on y verse. Si l'eau de votre région est particulièrement dure, vous devez exécuter la marche à suivre de nettoyage ci-dessous toutes les deux semaines, car les minéraux dans l'eau peuvent altérer la saveur du café et possiblement prolonger le temps de préparation.

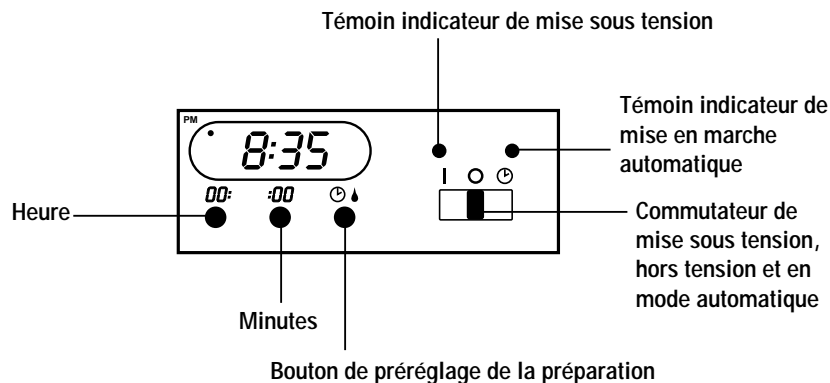
1. Remplissez la carafe d'une partie de vinaigre blanc pour trois parties d'eau froide. Versez la solution eau-vinaigre dans le réservoir à eau.

2. Placez un filtre sans café dans le panier filtreur et basculez ce dernier en position fermée. Placez la carafe sur la plaque réchaud. Mettez le commutateur sous tension (à la position On). Ce cycle de nettoyage produira plus de vapeur que la préparation normale.
3. GARDEZ LA CAFETIÈRE SOUS TENSION JUSQU'À CE QUE LA CARAFE SOIT À MOITIÉ PLEINE. Mettez le commutateur hors tension (à la position Off). Lorsque le liquide arrête de s'égoutter du panier filtreur dans la carafe, retirez ces deux derniers et laissez le liquide dans la carafe se refroidir durant 15 minutes. Une fois le liquide refroidi, reversez-le dans le réservoir à eau.
4. Remettez le panier filtreur en place et retournez la carafe sur la plaque chauffante.
5. Mettez le commutateur sous tension (à la position On). Reprenez la marche à suivre en laissant toute la solution de nettoyage se vider dans la carafe. Une fois l'égouttement terminé, jetez le contenu de la carafe.
6. Après avoir laissé la cafetière se refroidir 10 minutes, rincez-la en préparant sans café une carafe pleine d'eau froide.
7. À la fin du cycle de préparation, mettez le commutateur hors tension (à la position Off). Jetez l'eau de la carafe. Retirez le filtre, puis lavez la carafe et le panier filtreur dans de l'eau chaude savonneuse. Asséchez à fond.
8. Une fois la cafetière refroidie, essuyez le socle avec un chiffon sec.

Il faut confier à un représentant de service agréé tout entretien nécessitant le démontage de pièces autrement que le nettoyage ci-dessus.

DIRECTIVES SPÉCIALES: Seulement dans le cas du modèle de luxe.

Comment utiliser la minuterie électronique et la fonction de hors tension automatique.



RÉGLAGE DE L'HORLOGE

1. Appuyez sur le bouton d'avancement de l'heure (Hour) jusqu'à ce que vous atteigniez l'heure correcte, puis relâchez le bouton. Notez l'indicateur "P.M." sur l'afficheur.
2. Appuyez sur le bouton d'avancement des minutes (Min) jusqu'à ce que vous atteigniez le nombre de minutes correct, puis relâchez le bouton.

Nota: Le mode manuel On ne fonctionnera pas avant que vous ayez réglé l'heure sur l'horloge à l'aide des boutons d'heure et de minutes. Vous pouvez sélectionner le mode automatique ("Automatic") avant de régler l'horloge en glissant le commutateur d'abord à la position Off, puis à Auto.

REGLAGE DE LA MINUTERIE

1. Appuyez sur le bouton Brew et gardez-le enfoncé. Appuyez sur les boutons Hour et Minutes jusqu'à ce que vous atteigniez l'heure de préparation désirée, puis relâchez le bouton Brew.
2. Glissez le commutateur à la position Auto, et le cycle de préparation débutera automatiquement à l'heure de préparation pré réglée. La plaque réchaud restera en fonctionnement 1 heure 59 minutes après le début de la préparation. Pour continuer le réchauffement du café après la fin de la préparation automatique, glissez le commutateur à la position Off, puis à On. Si le cycle a mis l'appareil hors tension, il faut régler le commutateur à la position Off avant de réinitialiser l'appareil.
3. Si vous laissez la cafetière en mode On ou Auto, elle s'arrêtera automatiquement au bout de 1 heure 59 minutes. Vous n'avez pas à vous préoccuper de la possibilité de laisser la cafetière accidentellement sous tension.

Nota: La cafetière ne répétera pas le cycle de préparation automatique dans les 24 heures à moins que vous déplaciez le commutateur d'abord à la position Off, puis le ramenez à Auto pour redemander le mode automatique.

RÉGLAGE DU MODE MANUEL

1. Glissez le commutateur à la position On. Le cycle de préparation débutera et continuera 1 heure 59 minutes. L'appareil s'arrêtera automatiquement au bout de cette période.
2. Une fois le cycle terminé, la cafetière ne déclenchera aucun autre cycle de préparation jusqu'à ce que vous glissiez le commutateur à la position Off, puis à On. Dans ce cas, un autre cycle de préparation se mettra en marche pour 1 heure 59 minutes.
3. L'afficheur montrera l'heure « réelle » durant le cycle de 1 heure 59 minutes tant en mode manuel qu'en mode automatique.

DIRECTIVES DE PRÉPARATION DU CAFÉ

1. Branchez la cafetière dans une prise quelconque.
2. Remplissez la carafe d'eau courante froide et versez dans le réservoir à eau. Les marques dans le réservoir indiquent le niveau d'eau requis pour préparer le nombre désiré de tasses. Nous recommandons d'y verser au minimum assez d'eau pour deux tasses.

Nota: La quantité de café préparé sera toujours inférieure à celle d'eau versée dans le réservoir.

3. Placez un filtre dans le panier filtreur. Mesurez une cuillerée à table rase de café de mouture ordinaire ou à égouttement pour chaque tasse désirée. Pour produire un café plus corsé ou plus doux, rectifiez la quantité de café à votre goût.
4. Basculez le panier filtreur en position fermée.
5. Placez la carafe sur la plaque réchaud.
6. Mettez le commutateur sous tension (à la position On). Le témoin indicateur de mise sous tension s'allumera pour indiquer que l'appareil est en fonctionnement.

7. Si vous désirez servir une tasse de café avant la fin du cycle de préparation, il suffit de retirer la carafe de la plaque réchaud. L'égouttement cessera automatiquement. Retournez la carafe à sa position sur la plaque réchaud dans les 30 secondes; l'égouttement reprendra.
8. À la fin du cycle de préparation, attendez environ une minute jusqu'à ce que s'arrête l'égouttement du panier filtrant dans la carafe. Gardez le couvercle de la carafe en place pour faciliter le service en toute sécurité et conserver le café à sa température de service adéquate.
9. Pour garder le café chaud, remettez la carafe sur la plaque réchaud une fois que vous aurez servi. La plaque réchaud passera automatiquement par son cycle pour maintenir une température de service idéale tant et aussi longtemps que la cafetière est sous tension.
10. Mettez le commutateur hors tension (à la position Off) lorsque la carafe est vide ou que la cafetière ne sert pas.

PRÉPARATION D'UNE DEUXIÈME CARAFE DE CAFÉ

Nous recommandons de laisser le commutateur hors tension (à la position Off) durant 10 minutes entre les cycles afin de laisser l'appareil se refroidir. Pendant que le commutateur est hors tension (à la position Off), jetez le café non utilisé et rincez la carafe, le filtre et le panier filtrant à l'eau. Remettez le filtre dans le panier. Reprenez le processus de préparation.

TRUCS POUR UN CAFÉ SUCCULENT

- Une cafetière propre est essentielle à un café délicieux. Nous recommandons fortement un nettoyage périodique tel que le spécifie la section « Nettoyage de votre cafetière ».
- Utilisez toujours de l'eau froide dans votre cafetière.
- Une mouture fine favorise une extraction plus complète et un café de goût riche et robuste. Une mouture ordinaire nécessitera légèrement plus de café par tasse pour produire la richesse d'une mouture plus fine.
- Entrez le café dans un endroit frais et sec. Une fois le café ouvert, gardez-le hermétiquement fermé au réfrigérateur afin d'en préserver la fraîcheur.
- Pour obtenir une saveur optimale, achetez des grains entiers et faites-les moudre fin dans votre Mélangeur Sunbeam juste avant de le préparer.
- Ne réutilisez jamais du café moulu: cela peut grandement altérer la saveur du café.
- Nous déconseillons de réchauffer du café. La saveur est la meilleure immédiatement après la préparation.
- La présence de fines gouttelettes d'huile à la surface de café noir fraîchement préparé provient de l'extraction d'huile des grains de café. L'utilisation de cafés fortement torréfiés pourra augmenter la fréquence de l'apparition de telles gouttelettes. Une surextraction pourra causer un goût huileux, indiquant la nécessité d'un nettoyage de la cafetière.

2 ANS DE GARANTIE LIMITÉE

Sunbeam Products Inc. garantit que pour une période de deux ans à compter de la date d'achat, ce produit ne présentera aucun vice mécanique ou électrique, matériel ou de fabrication. Notre obligation ci-après se limite à la réparation ou au remplacement de ce produit au choix du fabricant durant la période de couverture de la garantie, pourvu qu'on envoie le(les) produit(s) acheté(s) aux États-Unis, par la poste, port payé, directement à l'adresse suivante:

**SUNBEAM APPLIANCE SERVICE STATION
117 Central Industrial Row
Purvis, MS 39475**

En cas de questions ou pour obtenir des renseignements à propos de cette garantie ou du bureau de service après-vente agréé de votre région aux États-Unis, appelez sans frais d'interurbain le 1-800-597-5978 ou écrivez à l'adresse suivante Sunbeam – Consumer Affairs en P.O. Box 948389, Maitland, Florida 32794-8389.

En ce qui concerne les produits achetés au Canada, veuillez les retourner par la poste, port payé, directement à l'adresse suivante:

**SUNBEAM APPLIANCE SERVICE STATION (KND)
s'il vous plaît l'appel 1-800-667-8623 ou email nous
consumeraffairs@consumer.sunbeam.com**

En cas de questions ou pour obtenir des renseignements à propos de cette garantie ou du bureau de service après-vente agréé de votre région au Canada, appelez sans frais d'interurbain au Canada le 1-800-667-8623.

En cas de questions ou pour obtenir des renseignements à propos de cette garantie ou d'un bureau de service après-vente agréé à l'extérieur des États-Unis et du Canada, veuillez consulter la carte de service sous garantie insérée dans l'emballage du produit.

**NE RETOURNEZ PAS CE PRODUIT À L'ENDROIT OÙ VOUS L'AVEZ ACHETÉ,
CAR CELA POURRAIT RALENTIR LE TRAITEMENT DE VOTRE DEMANDE
DE REMBOURSEMENT SOUS GARANTIE.**

La présente garantie ne couvre ni l'usure normale des pièces ni les dommages entraînés par l'un quelconque des cas suivants: l'utilisation inappropriée ou négligente du produit, son utilisation à une tension ou à un courant inadéquats, son utilisation contraire aux directives du mode d'emploi, ou son démontage, sa réparation, son remaniement, sa modification ou sa transformation par toute personne autre qu'un centre de service après-vente agréé. La réparation ou le remplacement du produit prévus aux termes de la présente garantie constituent votre seul unique recours. Sunbeam Products Inc. n'acceptera aucune responsabilité de dommages consécutifs ou accessoires découlant du manquement à quelque garantie explicite ou implicite sur ce produit. Sauf dans la mesure où l'empêchent les lois applicables, la durée de toute garantie implicite sur la qualité marchande ou le caractère utilisable de ce produit pour un but précis se limite à la durée de la garantie susmentionnée. Certains états ou provinces interdisent l'exclusion ou la limitation des dommages consécutifs ou accessoires, ou la limitation de la durée d'une garantie implicite; il s'ensuit que les limitations ou exclusions ci-dessus peuvent ne pas s'appliquer à vous. La présente garantie vous confère des droits légaux précis, et vous pourriez aussi avoir d'autres droits qui varient selon l'état ou la province.

PARA MEXICANA SOLAMENTE

UN AÑO DE GARANTÍA

UN AÑO DE GARANTÍA

Póliza de Garantía,

SUNBEAM MEXICANA S.A. de C.V.

Sunbeam Mexicana S.A. de C.V. garantiza por el término de un año este aparato en todas sus partes y mano de obra contra cualquier defecto de fabricación y funcionamiento, en uso doméstico normal a partir de la fecha de entrega.

Incluye la reparación o reposición gratuita de cualquier parte o componente que eventualmente fallará y la mano de obra necesaria para su diagnóstico y reparación, así como los gastos de transportación del producto a partir de la recepción en los Talleres de Servicio Autorizados derivados del cumplimiento de este certificado.

CONDICIONES

1. Para hacer efectiva esta garantía no podrán exigirse mayores requisitos que la presentación de esta póliza debidamente llenada, sellada y fechada por la casa vendedora junto con el aparato en el lugar donde fue adquirido o en cualquiera de los Centros de Servicio Autorizados que se indican en el reverso.
2. Esta póliza quedará sin efecto en los siguientes casos:
 - a) Cuando el aparato haya sido utilizado en condiciones anormales y los daños que presentara manifestaran un maltrato, descuido o mal uso.
 - b) Cuando el aparato haya sido operado en forma diferente a las condiciones normales que marca el instructivo, mismo que señala los valores nominales y tolerancias de tensiones (voltajes) y frecuencias (ciclajes de la alimentación eléctrica).
 - c) Cuando el aparato haya sido intervenido por personal no autorizado provocando alteraciones inadecuadas.
3. Los Talleres de Servicio Autorizados por Sunbeam Mexicana. S.A. de C.V., repararán y devolverán el aparato en un plazo no mayor a 30 días contados a partir de la fecha de haber ingresado éste a uno de los talleres. Excepto en caso de demoras en el servicio originado por causas de fuerza mayor o cualquier otro motivo fuera del control de los Talleres de Servicio Autorizados tales como huelga en las fábricas proveedoras, etc., situación que será comunicada a usted a través de los Talleres respectivos.
4. La garantía de esta Póliza cubre cualquier daño o desperfecto que llegara a ocurrir en el interior de los Talleres de Servicio Autorizados o en el transporte de sus vehículos, pero sin asumir la responsabilidad por daños robos, extravíos o destrucción del aparato durante los almacenamientos o transportes efectuados por terceros no autorizados.
5. En caso de extravío de la Póliza de Garantía, usted podrá recurrir al lugar donde adquirió su aparato, donde le expedirán otra Póliza de Garantía previa presentación de la Nota de Compra, Remisión o Factura respectiva.

Al término de su Póliza de Garantía, los Talleres de Servicio Autorizados, seguirán a sus órdenes para brindarle el servicio que usted se merece, siempre con la confianza Sunbeam®, Oster® y Osterizer®

Sello de la Casa Vendedora	Aparato _____
	Marca _____
	Modelo _____

La presente garantía contará a partir de la fecha de entrega.

Año

Mes

Día

PARA USO DEL PROPIETARIO DEL APARATO

Sello de la Casa Vendedora

SUNBEAM MEXICANA,
S.A. de C.V.
Vía Dr. Gustavo Baz No. 180
Tlalnepantla, Edo. de México,
C. P. 54090
Tel. 729-21-00

TIMBRE



**"UNA RESPUESTA PARA
CADA PREGUNTA"**

¿Tiene Ud. alguna pregunta
o comentario?

**Llámenos sin costo al: 91-800-506-17
del D.F. al: 729-21-00**

De lunes a viernes de las 8:30 hrs. a las 17:00 hrs.

SUNBEAM MEXICANA S.A. DE C.V.

Vía Dr. Gustavo Baz No. 180, Tlalnepantla, Edo. de México
C.P. 54090
Tel 729-21-00 Fax 397-03-99

OFICINAS DE VENTA EN LA REPÚBLICA MEXICANA:

SUCURSAL TLALNEPANTLA EDO. DE MÉXICO

Vía Dr. Gustavo Baz No. 180 Tel: 729-21-00

SUCURSAL GUADALAJARA, JALISCO

Juan Kepler #4536-4, Col. Residencial Arboledas, Zapopan,
C.P. 45070 Tels: 19-64-05, 19-65-08 Fax: 19-15-46

SUCURSAL MONTERREY, NUEVO LEON

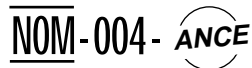
Plaza Puerta del Sol Local 19, Blvd. Puerta del Sol 350 Colinas de San Jerónimo,
C.P. 064640 Tel: 46-94-70, 46-94-78, 46-94-79 Fax: 46-94-70

CARACTERÍSTICAS ELÉCTRICAS:

60Hz

127 \sim +/-10% V

1000W



© Osterizer, Sunbeam y Oster son marcas registradas de Sunbeam Corporation

© Sunbeam Products, Inc. o sus compañías afiliadas, todos los derechos reservados Sunbeam,
es una marca registrada de Sunbeam Products, Inc. o de sus compañías afiliadas.
Distribuido por: Sunbeam Products, Delray Beach, FL 33445.

Use sólo refacciones originales

**PARA SERVICIO DE GARANTÍA Y VENTA DE PARTES Y REFACCIONES
SUNBEAM MEXICANA, S.A. de C.V.**

Vía Dr. Gustavo Baz No. 180, Tlalnepantla, Edo. de México
TALLERES DE SERVICIO AUTORIZADOS

ESTADO Y CIUDAD	NOMBRE Y DIRECCIÓN	TELEFONO
AGUASCALIENTES	AGUASCALIENTES - DISTRIB. AGUASCALIENTES - Madero No. 203	15-1346
	AGUASCALIENTES - RYSE DE AGUASCALIENTES, S.A. - Atlende Poniente Y Victoria No.118	15-5782
	AGUASCALIENTES - SAMUEL RODRIGUEZ D., - Abedul No. 1006	14-8222
BAJA CALIFORNIA NORTE	TIJUANA - CASA ELECTRICA ROTHENHAUSLER - 5A. E. Zapata No. 1637	85-F 149 y 85-3025
	TIJUANA - PLOMERIA LAS DOS EMES - Defensores de Baja California No. 200, Col. Ruiz Cortines	82-3189
CAMPECHE	CAMPECHE - REFA HOGAR DE CAMPECHE - Av. Fco. I. Medero. C. Com. Villa del Rio. Depto 1	1-4206
	CIUDAD DEL CARMEN - REFA HOGAR DE CARMEN - Calle No. 24. No.73-C	2-3619
CHIAPAS	COMITAN - CENTRO SINGER DE COMITAN - 3A Calle Norte Poniente No. 59, Col. Centro	2-0290
	OCOSINGO - ELECTRONICA DEL ISTMO - 2A Av. Sur Oriente No. 14, Col. Centro	
	SAN CRISTOBAL DE LAS CASAS - REFAC. ELECTRI-HOGAR - 20 de Noviembre No. 17-B Col. Centro	8-1137
	TAPACHULA - REFRIGERACION Y SISTEMAS - 5A Calle Poniente No. 16-8 Col. Centro	8-7070
	TUXTLA GUTIERREZ - COMPRESORES Y PARTES DE REFRIGERACION - 2A Poniente Sur No. 500, Col. Centro	3-7325
	TUXTLA GUTIERREZ - SERVICIO Y REFAC. DE TUXTLA - 2A Oriente Norte No. 354 Int.	2-2737
CHIHUAHUA	CHIHUAHUA - REFAC. Y SERVICIOS DE CHIHUAHUA - Av. Juárez No. 514	10-5540
	CHIHUAHUA - TALLER DE REFRIG. Y SERVICIOS ELECTRICOS - Ojinaga No. 507	10-5963
	CIUDAD DELICIAS - MUEBLERIA PORTILLO - Calle 1a. Norte No. 104, Col. Centro	Z-1457 y 2-8333
	CIUDAD JUAREZ - DIST. TURMIX Paseo Triunfo de la Republica No. 5298, Local 2-A Col. San Lorenzo	17-8030
	CIUDAD JUAREZ - REFAC. DEL HOGAR DE CHIHUAHUA, S.A. DE C.V. - Av. Insurgentes No.1669	2-2321 y 2-7575
	HIDALGO DEL PARRAL - CASA ELECTRICA DEL PARRAL - Calle Colegio No. 35	2-0320
	HIDALGO DEL PARRAL - CASA MAYKA - Maclovio Herrera No. 67 Local 12	Z-7845 y 2-4140
COAHUILA	SALTILLO - ELECTRICIDAD Y NOVEDADES DE SALTILLO - Calle Morelos No. 211-A Sur Centro	12-5525
	TORREON - COMERCIAL GARCIA DE TORREON. S.A. - Av. Juárez No. 99 Poniente	6-3010
	TORREON - JOSE C. DE JESUS LOPEZ, S.A. - Calle Acuna No. 259 Sur	12-9822
	TORREON - REFAC. Y SERV. P/APAR DOMESTICOS - Presidente Carranza No. 655	19-5189 y 16-3165
COLIMA	COLIMA - JABA HERMANOS - Av. Pino Suárez No. 230	3-0930
	COLIMA - TODO PARA GAS - Ignacio Sandoval No. 15	2-7776
DISTRITO FEDERAL	MEXICO - ART ELECTRICOS PARA EL HOGAR, S.A. DE C.V. - Av. Revolución 154-C Col. Tacubaya	516-0292
	MEXICO - BULBOS Y REFAC. ELECTRONICAS. - Plutarco Elias No.1494-A Col. Zacahuitzco	672-0808
	MEXICO - CASA HUERTA - Calzada I. Zaragoza No. 3254 L. 13-8 Col. Sta. Martha	738-1972
	MEXICO - CORP. ELECTRODOMESTICA CASA GARCIA, S.A. DE C.V. - Av. Patriotismo No. 875-B Col. Mixcoac	563-8723
	MEXICO - DOMESTICA NORTE - Camino a Santiaguillo No. 131-C Deleg. Gustavo A. Madero	
	MEXICO - DOMESTICA ORIENTE - Calle 7 Mz. 6 Lote 16	845-3328
	MEXICO - DOMESTICOS ELECTRO S.A. DE C.V. - Tonaíá No. 124 Col. Rome	584-0939 y 584-0950
	MEXICO - ECONOMOHOGAR - López No. 31-A. Col. Centro	512-8006
	MEXICO - REPARADORA DEL HOGAR TLAHUAC - FF.CC. Rafael Atlitxco No. 1 Tlahuac	842-4489
	MEXICO - SERVICIO DOMESTICO DEL SUR - Blvd. La Virgen Manz. 1 Lota 6 Col. Carmen Sentan	608-2313
DURANGO	DURANGO - REFACCIONARIA EASY - Patoni No. 506 Sur	11-0251
	DURANGO - REFACCIONARIA EASY - Pino Suarez No. 423 Poniente	
	DURANGO - SERVICIO ESPARZA - 20 de Noviembre No. 507 con Porras	17-4736
	GOMEZ PALACIOS - REFAC. Y SERV. P/APAR. DOMESTICOS STA. LUCIA - Hidalgo y Escobedo	14-0225
	GOMEZ PALACIOS - REFAC. Y SERV. P/APAR. DOMESTICOS STA. LUCIA - Victoria No. 326-A Norte	14-6031
EDO. DE MÉXICO	COACALCO - ELECTRODOMESTICOS MARSOL - C. Comercial Coacalco, Local 33	875-7030
	ECATEPEC - SERVICIO DOMESTICO HERGAR - Via Morelos No. 103 (antes 30), Col. Jajalpa	787-2622
	ECATEPEC - SERVICIO HEGAR - Via Morelos No. 26 Manz. 1 Col. Nuevo Laredo	787-7536
	IXTLAHUACA - POUREPUJESTOS ORIGINALES - Plaza Suárez No. 1 - J	
	NETZAHUALCOYOTL - CASA HUERTA - Av. Aldolfo López Matleos No. 150	797-8131
	NETZAHUALCOYOTL - CASA HUERTA - Av. Pantitlán No.407 Col. Vicente Villada	765-3371
	NETZAHUALCOYOTL - CASA HUERTA - Plaza Neza, Local E-27, Col. Benito Juárez	731-9345
	TLALNEPANTLA - CASA MONTOYA - Av. Rio Lerma No. 111	565-8942
GUAMAJUATO	TOLUCA - SERVICIO Y REFAC. TAUN - Ignacio López Rayón Norte No. 211-A. Col. Centro	
	ACAMBARO - PRELAGAS DE ACAMBARO - Vicente Guerrero No. 23-C	2-1445
	CELAYA - ELECTRODOMESTICOS DEL BAJIO - Bejuca No. 103. Col. los Pinos	5-5157
	IRAPUATO - MECAN HOGAR Y/O RYSE DE IRAPUATO - Av. 5 de Mayo No. 518, Col. Independencia	6-4446 y 7-6767
	LEON - ELECTRONICA DIGITAL - Rio Lerma No. 1124. Col. Prados Verdes	11-7381
	LEON - SERVI HOGAR - Pino Suárez No. 314 Col. Centro	16-8006
	MOROLEON - REFACCIONARIA DEL HOGAR - Guadalupe Victoria No. 25 Col. Centro	
	PENJAMO - ELECTRONICA DEL CENTRO - Hidalgo No. 44-B. Zone Centro	2-0774
	SALAMANCA - REFRIGERACION FONSECA - Calaya No. 107. Col. Guanajuato	7-3475
GUERRERO	ACAPULCO - TELEVICENTRO - Av. Cuauhtémoc No. 135. Col. Centro	
	ACAPULCO - TELEVICENTRO - Velázquez de León No. 52. Col. Centro	82-0349
	IGUALA - ELECTRO SURIANA - Av. Bandera Nacional No.1-A	2-1099
HIDALGO	CIUDAD SAHAGUN - SERVICIO ELIZALDE - Av. Huichapán No. 17. Col. Rojo Gomez	3-3930
	PACHUCA - REFAC. Y SERVICIO DE HIDALGO - Fernando Soto No. 102-B	5-1837
JALISCO	CIUDAD GUZMAN - NUEVO RADIO SERVICIO - S.A. DE C.V. - 5 Mayo No. 26	2-3374 y 2-0484
	CIUDAD TUXPAN - SERVO ELECTRICA - Foa. I. Madero No. 27-A	7-2914
	GUADALAJARA - IMPLEMENTOS Y REFAC. DOMESTICAS S.A. DE C.V. - Manuel Avila Camacho No. 1280	23-1927
	GUADALAJARA - PROESA TECNOGAS S.A. DE C.V. - Independencia No. 11	14-6825
	GUADALAJARA - REFAC. ECONOMICAS DE OCCIDENTE. S.A. DE C.V. - Garibaldi No. 1450	25-5819 y 25-3460
	GUADALAJARA - SERVICIO MAYO - Av. Colón No. 783, Sector Juárez	13-0325 y 14-9088
	LAGOS DE MORENO - TECNO-HOGAR - Hidalgo No. 614-A	2-0664
	PUERTO VALLARTA - PROESA TECOGAS DE OCCIDENTE. - Perú No. 1279 Esq. Nicaragua	2-5455 y 2-4989
	Tepatitlan - TECNO GAS DE LOS ALTOS - Colón No.151	1-0558

ESTADO Y CIUDAD	NOMBRE Y DIRECCIÓN.	TELEFONO
MICHOACAN	APATZINGAN - REFRIG. Y CLIMAS ARTIF. DE MEXICO - Cart. Apatzingán Cuatro Caminos No. 202. Col. La Nueva 4-5030 y 4-5082	2-1504
	LA PIEDAD - REFRIGERACION CALDERON - Vicente Guerrero No. 109. Zona Centro	2-5415
	MORELIA - CASA MARY - Alvaro Obregón No. 22. Zona Centro	2-1796
	MORELIA - CENTRAL DOMESTICA DE MORELIA - Av. Morelia Sur No. 618	83-1405
	PURUANDIRO - REFACCIONARIA SAN FRANCISCO - Fagoaga No. 72-A. Centro	2-3873 y 23895
	SAHUAYO - REFRI-LAV. - Matamoros No. 4 Esq. Morelos	4-2926
	URUAPAN - EL SURTIDOR DEL HOGAR - Madero No. 12-A	5-1108
	ZAMORA - MULT. SERV. PROF. DE ZAMORA - Virrey de Mendoza No. 283-C	2-3304 y 2-5368
	ZAMORA - RYSE DE IRAPUATO S.A. DE C.V. - Av. 5 de Mayo Esq. Colón	3-2191
	ZITACUARO - DEL CENTRO - Av. Hidalgo Poniente No. 2	2-2856
MORELOS	CUAUHTLA - SERVICIO DEL HOGAR - 2 de Mayo No. 104-A	12-4512
	CUERNAVACA - MECANICA DOMESTICA INDUSTRIAL - Matamoros No. 410-A Zona Centro	15-7041
MAYARIT	CUERNAVACA - SERVICIO Y REFAC. S.A. - Plan de Ayala y Av. Central, Local 6	2-1936
NUEVO LEON	TEPIC - TECNO HOGAR - Av. México No. 37 Sur	5-0383
	CERDADO - CERRAJERIAS REGIA - Carretera Nacional No. 211. Fracc. Las Hadas	79-0794
	GUADALUPE - CERRAJERIAS REGIA - Av. Miguel Alemán No.243 Oriente, Col. Lindavista	37-3494 y 37-8510
	GUADALUPE - CERRAJERIAS REGIA - Hacienda No. 1234-A Oriente, Fracc. Hda. de Guadalupe	78-3655
	MONTERREY - CERRAJERIA DEL VALLE - Orinoco No. 207 Norte	43-6700 y 43-1815
	MONTERREY - ELECTRODOMESTICA DE REFACCIONES - Fidel Velázquez No. 1513 Poniente L-4F. Col. La Central	73-1621
	MONTERREY - JOSE F. SEPULVEDA - Ruperto Martínez No. 238 Oriente, Col. Centro	43-8909 y 42-3970
	MONTERREY - REFAC. DOMESTICAS MONTERREY - Av. Gonzalitos No. 3501 Loc. 44 Col. Mitras Norte	76-9024
	MONTERREY - SERVICIO Y REFAC. HECTOR SEPULVEDA S.A. DE C.V. - Zaragoza No. 203 Sur	3-6277
	MONTERREY - SERVICIO Y REFAC. HECTOR SEPULVEDA S.A. DE C.V. - Zaragoza No. 203 Sur	5-4616
OAXACA	SAN NICOLAS DE LAS GARZAS - CERRAJERIAS REGIA - Av. Parque Anahuac No. 105 Oriente. Col. Anahuac	5-2465
	OAXACA - SERVICIO ELECTRODOM. APARICIO - Av. Pariférico No. 111, Col. Postal	46-5504
PUEBLA	TUXTEPEC - SERVICIO ESPECIALIZADO WHIRLPOOL - José Mania Morelos No. 1234	42-4955
	ATLIXCO - REFAC. DEL HOGAR - Calle Sur No. 503-B	2-3835
QUERÉTARO	PUEBLA - MATERIAL ELECTRICO LA CASA - 10 Oriente No. 15-B	2-0720
	PUEBLA - REPRESENTACION DE PUEBLA - 3 Poniente No. 523-B	17-1592
	TEHUACAN - C. DE SERVICIO ALM. PATJANE - Av. Independencia Poniente No. 407, Col. Centro	12-2149
	TEZIUTLAN - ALMACENES 5-10-15 - Prof. Av. Juárez No. 2	84-0727
	QUERÉTARO - ELECTRONICA "J.M.V." - Calle Peña de Bernal No. 7-B, Col. Las Américas	2-1690
	QUERÉTARO - ELECTRODOM ANTONIO - 16 de Septiembre No. 6-C Poniente	2-3841
	CANCUN - AGUILAR REFACCIONES - Av. López Portillo SM 70 Manz. 1 Local, 2 Col. Centro	2-1148
	COZUMEL - REFACCIONARIA DEL HOGAR - Adolfo Rosado Salas No. 33, Depto. 1, Col. Centro	12-2116
	CHETUMAL - TALLER DE REP. DE APARATOS ELECTRICOS ALVARADO - Hidalgo No. 89	12-5808
	CIUDAD VALLES - REFACCIONARIA DEL HOGAR DE VALLES S.A. - Calle Aguilas No. 500	2-0487
SAN LUIS POTOSI	S. L. P. - ELECTRO HOGAR - Julián de los Reyes No. 328	3-6995
	S. L. P. - PROV. TECNO HOGAR GIVI - Himno Nacional No. 1410, Col. Las Aguilas	2-1088
	S. L. P. - SERVICIO ELECTRODOM. ITURBIDE - Damián Carmona No. 685	2-5850
	SIMALOA - SERVICIO DEL HOGAR GOMEZ - Av. Morelos No.183 Norte	5-5247
	GUAMUCHIL - ELEC. DOMESTICA E INDUSTRIAL - Zaragoza No. 157 Norte, Col. Juárez	1-6110 y 2-8420
	LOS MOCHIS - NUEVO JAPON DE LOS MOCHIS - Benito Juárez No. 430 Poniente	85-1325 y 85-0794
	LOS MOCHIS - TECOGAS DE OCCIDENTE, S.A. DE C.V. - Av. Hidalgo No. 545	3-8033 y 3-3315
	MAZATLAN - CAMACHO DE MAZATLAN, S.A. DE C.V. - Zaragoza No. 1211	2-3244
	MAZATLAN - REFAC. DEL HOGAR, S.A. DE C.V. - German Evers No. 1708 Norte	2-1244
	CIUDAD OBREGON - TECNI-SERVICIOS GALICIA S.A. DE C.V. - Veracruz No. 435 Sur	4-2073
SONORA	GUAYMAS - CENTRAL DE REFACCIONES SERVICIOS - Av. Miguel Alemán No. 75 Sur	2-0548
	HERMOSILLO - SERVICIO ELECTRO HOGAR - Guerrero No. 80 Esq. Dr. Noriega	2-7002
	COMALCALCO - ELECTROHOGAR 2 HERMANOS - Juárez No. 1102 Esq. Rayón	6-1335
	H. CARDEMÁS - COMERCIAL LA ESTRELLA - Mader No. 805, Col. Centro	13-2122
	VILLAHERMOSA - SERVICIO Y REFAC. FRIAS - Sánchez Megallanes No. 918	12-1775
	CIUDAD VICTORIA - CARLOS A. CARRIZALES PAZ - Adolfo López Mateos No. Local 6	12-6940
	MATAMOROS - MUEBLERIA REAL DEL NORTE, S.A. DE C.V. - Juárez y Panamá No. 3-B	12-1999
	TAMPICO - COM. ELECTRICA BRICEÑO - H. del Cañonero No. 206 Oriente	22-5679
	TAMPICO - HOSPITAL DE ELECTRODOM - Díaz Miron No. 909 Oriente	2-1976
	TAMPICO - SERVICIO ALLENDE - Olmos No. 602 Norte	2-8393
VERACRUZ	REYNOSA - PROV. DE RESTAURANTES DE REYNOSA - Calle Bravo No. 500, Centro	3-5714
	COATZACOALCOS - ACC. Y REFRIG. DEL SURESTE, S.A. DE C.V. - Malpica No. 312	5-0311
	CORDOBA - VIC-MAR - Av. 2 No. 921	3-5119
	MINATITLAN - ELECTROREFRIG. CUPIL S.A. DE C.V. - Calle Amelia Riverol No. 10 Col. Playón Sur	2-0570
	ORIZABA - SIST. Y EQUIPOS COMPUTACIONALES S.A. DE C.V. - Poniente 2 No. 38	4-2016
	POZA RICA - REFAC. INTERNACIONAL DEL HOGAR - Mariano Artista, Esq. 16 de Sept., Col. Tajin	4-5953
	SAN ANDRÉS TUXTLA - TELE SERVICIO - Dr. Argudin No. 2	38-2154
	TUXPAN - REFAC. INTERNACIONAL DEL HOGAR - Garizurietz No. 52	32-5351
	TUXPAN - REFAC. LINEA BLANCA DE TUXPAN, S.A. DE C.V. - Arteaga No. 1	18-8759
	VERACRUZ - ELECTRODOMESTICA DEL PUERTO - Zamora No.1479	28-2137
YUCATAN	VERACRUZ - SERVIREFAC. RODRIGUEZ - Carlos Cruz No. 55 Local 4	23-5652
	XALAPA - DOMESTICA TAPIA - Av. Rafael Murillo Vidal No. 3-F, Fraco. Ensueño	2-5727
ZACATECAS	MÉRIDA - ELECTRODOMESTICOS REFORMA - Calle 72 No. 433-C	2-0599
	MÉRIDA - REFACCIONARIA DEL HOGAR - Calle 67 No. 511	2-3664
	FRESNILLO - DOMESTICA MUNOZ - Calle 1858 No. 4, Fracc. González Ortega	
JUCHIPILA - TELE SERVICIO LUNA - Nicolás Bravo No. 3, Col. Centro		
ZACATECAS - REFAC. DOMESTICAS ROMO - Rayón No. 220		

COMPRADOR:

CASA VENDEDORA:

Nombre _____ Dirección _____ Ciudad _____ Estado _____

Aparato _____ Marca _____ Modelo _____

Nombre _____ Dirección _____ Ciudad _____ Estado _____

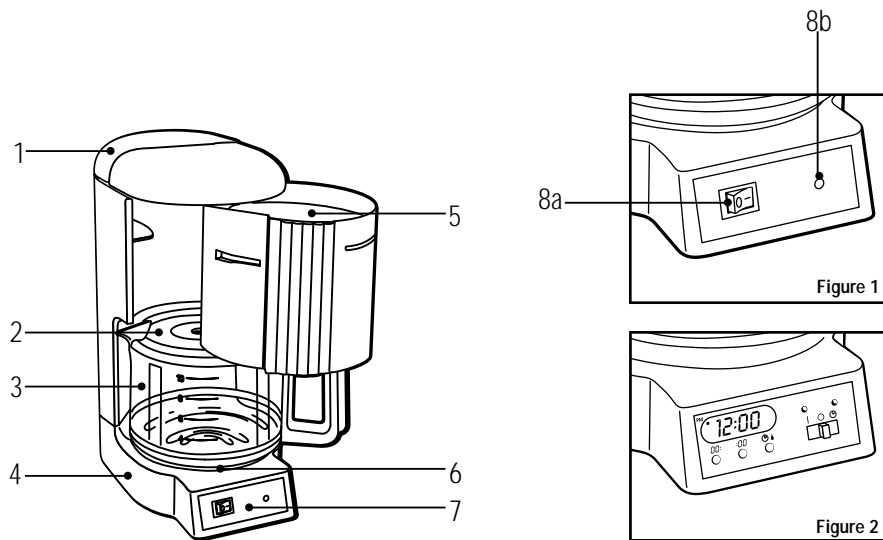
La presente garantía contará a partir de la fecha de entrega Año _____ Mes _____ Día _____

PRECAUCIONES IMPORTANTES

Cuando se utilizan electrodomésticos, se deben tener en cuenta algunas precauciones básicas de seguridad, a saber:

1. LEA Y GUARDE TODAS LAS INSTRUCCIONES.
2. Antes de conectar la cafetera, asegúrese de que el voltaje de su tomacorriente es el mismo indicado en la plaqueta del artefacto.
3. Para evitar riesgos de descarga eléctrica, no sumerja el cable, el enchufe ni artefacto en agua u otro líquido.
4. Este artefacto no debe ser utilizado por niños.
5. Debe supervisarse siempre el uso del artefacto cuando éste sea utilizado cerca de niños.
6. Desenchúfela del tomacorriente cuando la cafetera no esté en uso y antes de montar o desmontar piezas o de efectuar la limpieza.
7. No utilice ningún electrodoméstico que tenga el cordón o el enchufe dañado. Tampoco lo haga cuando el artefacto no esté funcionando correctamente o cuando éste se haya caído o maltratado en alguna forma. Llévelo al Centro de Servicio Autorizado Sunbeam más cercano para su revisión, reparación o ajuste.
8. El uso de accesorios no recomendados por el fabricante implica riesgo de incendio, descargas eléctricas o daños personales.
9. No utilice el artefacto al aire libre.
10. Para uso doméstico exclusivamente.
11. Evite dejar el cable colgando sobre el borde de la mesa o estante, o en contacto con superficies calientes.
12. No deje el artefacto desatendido mientras esté en funcionamiento.
13. Utilice el artefacto únicamente para los fines a los que está destinado.
14. No sitúe el artefacto sobre o cerca de una hornilla eléctrica o de gas ni cerca de un horno caliente o de microondas.
15. Evite el contacto con las superficies calientes. Utilice los mangos o asas correspondientes.
16. Prepare y sirva el café sin quitar la tapa de la jarra.
17. Esta jarra está diseñada para utilizarse exclusivamente con ésta cafetera, y nunca directamente sobre el fuego.
18. No sitúe la jarra caliente sobre una superficie fría o mojada.
19. No utilice la jarra si está agrietada o tiene el mango suelto o débil.
20. No limpie la jarra con agentes limpiadores abrasivos, estropajos metálicos ni otros materiales abrasivos.
21. No introduzca en el depósito de agua ningún líquido que no sea agua o la solución limpiadora indicada en este manual (consulte las instrucciones de limpieza de la cafetera).
22. No mueva la unidad cuando la jarra contenga líquido caliente.
23. No extraiga la tapa inferior, ya que no contiene piezas manipulables por el usuario.

CONSERVE ESTAS INSTRUCCIONES



CONOZCA SU CAFETERA SUNBEAM®

1. Depósito de agua
2. Tapa de la jarra
3. Jarra
4. Base
5. Canasta porta filtro
6. Placa de calentamiento
7. Panel de control

Figure 1.

Panel de control para modelo 3256.

8a. Interruptor Activar/Desactivar

8b. Piloto 'Activar'

Figure 2.

Panel de control para la cafetera Deluxe modelo 3258.

Vea las Instrucciones Especiales para éste modelo.

CUIDADOS ESPECIALES PARA LA JARRA

Una jarra defectuosa puede dar lugar a quemaduras causadas por el líquido caliente.

Para evitar daños en la jarra, siga estas indicaciones:

- Evite que se evapore todo el líquido de la jarra y no la caliente cuando esté vacía.
- Deseche la jarra si está dañada de algún modo. Una simple rajadura o rotura podría producir la rotura de la jarra o la presencia de partículas de cristal en el líquido.
- Nunca utilice estropajos para fregar o agentes limpiadores abrasivos, ya que pueden rayar y debilitar el cristal.
- No sitúe la jarra sobre o cerca de un hornilla eléctrica ó de gas, ni dentro de un horno caliente o un microondas.
- Evite golpes fuertes y manipulaciones bruscas.

ANTES DE USAR LA CAFETERA

- Antes de preparar café con su nueva cafetera Sunbeam® por primera vez, lave a fondo con agua caliente y jabón la jarra, la tapa de la jarra, la canastilla extraíble para filtros, el filtro y la tapa del depósito de agua.
- Enjuague y seque las piezas.
- Vuelva a colocar las piezas.
- Lave el interior de la cafetera realizando dos ciclos de preparación con una jarra de agua cada uno (véase "Instrucciones de preparación"). No ponga café en el filtro para ésta limpieza inicial.

Nota: Al final del primer ciclo, apague la cafetera y espere 10 minutos antes de realizar el segundo ciclo.

CUIDADO Y LIMPIEZA DE LA CAFETERA

- Compruebe siempre que la cafetera está desenchufada y la placa de calentamiento fría antes de comenzar la limpieza.
- Después de cada uso diario, lave con agua caliente y jabón el filtro permanente, la canastilla para filtros y la jarra.
- Limpie la base con un paño húmedo para eliminar manchas en la superficie.
- Para las manchas difíciles, use un estropajo de nylon o de plástico con un agente limpiador no abrasivo.
- No utilice estropajos metálicos ni agentes limpiadores abrasivos.

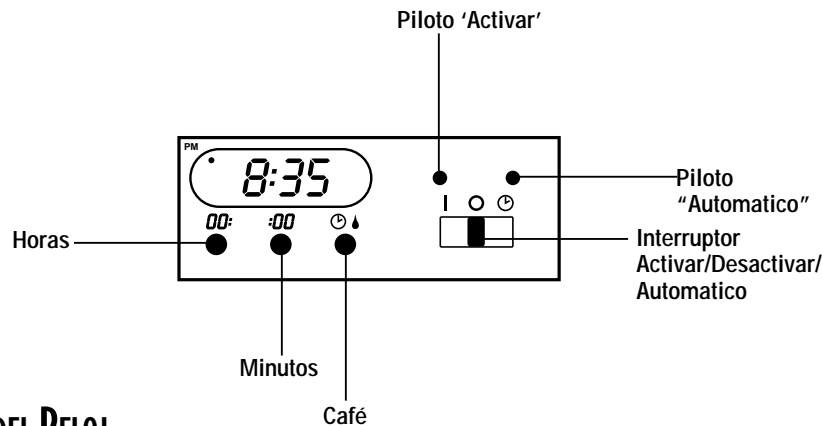
Es conveniente realizar una limpieza a fondo de la cafetera al menos una vez al mes, según la frecuencia de uso y la calidad del agua disponible. Si el agua de su zona de residencia es especialmente dura, realice el proceso de limpieza descrito a continuación una vez cada dos semanas, dado que los minerales del agua pueden perjudicar el sabor del café e incluso prolongar el tiempo de preparación.

1. Llene la jarra con una parte de vinagre blanco por tres de agua fría y vierta la solución resultante en el depósito de agua.

2. Coloque el filtro sin café en la canastilla y gírela a la posición de cerrado. Sitúe la jarra en la placa de calentamiento y sitúe el control en la posición "Activar". Durante la limpieza se genera mayor cantidad de vapor que al preparar el café.
3. MANTENGA LA CAFETERA ENCENDIDA HASTA QUE LA JARRA ESTÉ MEDIO LLENA. Sitúe el control en la posición "Desactivar" y, cuando deje de gotear líquido, extraiga la canastilla para filtros y la jarra y deje enfriar el líquido en la jarra durante 15 minutos. Una vez frío, vuelva a introducir el líquido en el depósito de agua.
4. Vuelva a colocar la canastilla y sitúe la jarra sobre la placa de calentamiento.
5. Sitúe el control en la posición "Activar" y repita el proceso hasta que toda la solución limpiadora haya caído en la jarra. Cuando cese el goteo, deseche el contenido de la jarra.
6. Después de dejar enfriar la cafetera durante 10 minutos, realice un ciclo de preparación con una jarra de agua fría y sin café para enjuagar la unidad.
7. Al final del ciclo de preparación, sitúe el control en la posición "Desactivar" y deseche el agua de la jarra. Extraiga el filtro, lave la jarra, el filtro y la canastilla para filtros con agua caliente y jabón y seque todas las piezas.
8. Cuando la cafetera se haya enfriado, limpie la base con un paño seco.

Cualquier tarea de mantenimiento distinta de las de limpieza ya descritas debe ser realizada por un Representante Técnico Autorizado.

INSTRUCCIONES ESPECIALES: Solamente para las Cafeteras Deluxe modelo Para el uso del reloj digital programable y apagado automático.



AJUSTE DEL RELOJ

1. Pulse el botón "Horas" y manténgalo en esta posición hasta que aparezca la hora correcta en el reloj. Notar que la luz indicadora "P.M." se encenderá para indicar las horas que van desde el medio-día hasta las 11:59 de la noche.
2. Pulse el botón "Minutos" y manténgalo en esta posición hasta que aparezca el minuto correcto en el reloj.

Nota: El modo manual "Activar" no funciona hasta que se ajusta la hora del reloj mediante los botones de horas y minutos, mientras que el modo "Automatico" puede seleccionarse antes de ajustar la hora desplazando el interruptor primero a la posición "desactivar" y después a la de "Automatico".

PROGRAMACIÓN DEL RELOJ

1. Pulse el botón "Café" y, sin soltarlo, seleccione la hora para el inicio de la preparación mediante los botones "Horas" y "Minutos".
2. Sitúe el interruptor en "Automatico" para que el ciclo de preparación comience de forma automática a la hora establecida. La placa de calentamiento permanece encendida durante 1 hora y 59 minutos desde la puesta en funcionamiento. Para continuar calentando después del periodo de preparación automática, mueva el interruptor a la posición de "Desactivar" y de nuevo a la de "Activar". Si el ciclo de preparación está concluido, es necesario colocar el interruptor en "Desactivar" antes de poder reprogramar la unidad.
3. Si deja la cafetera en modo "Automatico" u "Activar", ésta se apagará de forma automática después de 1 hora y 59 minutos. De ésta forma, no hay porqué preocuparse por dejar la cafetera encendida por error.

Nota: La cafetera no repite el ciclo de preparación automática durante las siguientes 24 horas a menos que sitúe el interruptor en la posición "Desactivar" y de nuevo en la de "Automatico" para restablecer la función automática.

AJUSTE DEL MODO MANUAL

1. Desplace el interruptor a la posición "Activar". El ciclo de preparación comienza y se mantiene durante 1 hora y 59 minutos.
2. Una vez completado el ciclo, no es posible iniciar un nuevo ciclo de preparación hasta que mueva el interruptor a la posición "Desactivar" y de nuevo a la de "Activar". Esto hace que comience un nuevo ciclo de preparación de 1 hora y 59 minutos.
3. Durante todo el ciclo de preparación, la pantalla muestra la hora real tanto en modo manual como automático.

INSTRUCCIONES DE PREPARACIÓN

1. Enchufe la cafetera a cualquier tomacorriente.
 2. Llene la jarra con agua fría y viértala en el depósito de agua. Las marcas del depósito indican el nivel de agua necesario para preparar el número de tazas deseado. No conviene preparar menos de dos tazas en ésta unidad.
- Nota:** La cantidad de café obtenido siempre es menor a la de agua introducida en la cafetera.
3. Sitúe el filtro permanente en la canastilla. Mida una cucharada rasa de café molido de grano fino o normal por cada taza de café que desee, o bien ajuste la cantidad a su gusto para obtener un café más fuerte o más suave.
 4. Gire la canastilla para filtros a la posición de cerrado.
 5. Sitúe la jarra sobre la placa de calentamiento.
 6. Sitúe el control en la posición "Activar". El piloto luminoso "Activar" se enciende para indicar que la unidad está en funcionamiento.

7. Si desea servir una taza de café antes de completar el ciclo de preparación, basta sacar la jarra de la placa de calentamiento. El goteo se detiene de forma automática. Vuelva a colocar la jarra sobre la placa antes de 30 segundos para restablecer el goteo de café.
8. Después de completar el ciclo de preparación, espere alrededor de un minuto para que cese el goteo de café entre la canastilla y la jarra. La jarra debe llevar siempre la tapa puesta para servir el café con mayor facilidad y mantenerlo a la temperatura adecuada para servirse.
9. A fin de mantener el café caliente, deje la jarra sobre la placa de calentamiento después de servir el café. La placa continúa con el ciclo de forma automática y conserva el café a la temperatura ideal mientras la unidad está en funcionamiento.
10. Sitúe el control en la posición "Desactivar" una vez que la jarra esté vacía y la unidad deje de utilizarse.

PREPARACIÓN DE UNA SEGUNDA JARRA DE CAFÉ

Conviene dejar la cafetera en posición "Desactivar" durante unos 10 minutos entre ciclo y ciclo para que se enfríe. Con la unidad en "Desactivar", elimine el café usado y enjuague con agua la jarra, el filtro permanente y la canastilla para filtros. Coloque de nuevo el filtro permanente en la canastilla y repita el proceso de preparación de café.

INDICACIONES PARA OBTENER UN EXCELENTE CAFÉ

- Una cafetera limpia es esencial para obtener un café de buen sabor. Es muy conveniente la limpieza habitual de la unidad, tal como se indica en el apartado "Cuidado y limpieza de la cafetera".
- Utilice siempre agua corriente fría para preparar el café.
- El café molido de grano fino proporciona una extracción más completa y un café sabroso y con mucho cuerpo, mientras que, con el grano normal, se requiere una mayor cantidad de café por cada taza para obtener un café fuerte como con el fino.
- Conserve el café en un lugar fresco y seco. Una vez abierto, mantenga el café en la nevera, cerrado herméticamente para que conserve su aroma y frescura.
- Para obtener un resultado óptimo, compre café en grano y muélalo finamente en su licuadora Sunbeam justo antes de preparar el café.
- No utilice el mismo café dos veces, puesto que su sabor se ve seriamente afectado.
- No es aconsejable recalentar el café, ya que el mejor sabor se obtiene en el momento inmediatamente posterior a su preparación.
- Las gotitas de aceite que aparecen en la superficie del café proceden del propio café molido utilizado para la preparación. La presencia de estas gotas puede hacerse más frecuente si utiliza café muy tostado. Una extracción excesiva también puede dar lugar a un café aceitoso, señal de que es necesario limpiar la cafetera.

2 AÑO DE GARANTÍA LIMITADA

Sunbeam Products Inc. garantiza que, por un período de dos años desde la fecha de compra, este producto estará libre de defectos mecánicos y eléctricos en el material y la fabricación. Nuestra obligación está limitada a la reparación o a la reposición, bajo la opinión del fabricante, de éste producto durante el período de la garantía, para productos comprados en Estados Unidos devuélvalo(s) con gastos de envío prepagados directamente a:

**SUNBEAM APPLIANCE SERVICE STATION
117 Central Industrial Row
Purvis, MS 39475**

Respuestas a sus preguntas respecto a esta garantía o a la localización del centro de servicio autorizado más cercano en Estados Unidos pueden obtenerse llamando gratis al 1-800-597-5978 o al escribir a Sunbeam - Consumer Affairs en P.O. Box 948389, Maitland, Florida 32794-8389.

Para productos comprados en Canadá, por favor regréselos, envío prepagado a:

**SUNBEAM APPLIANCE SERVICE STATION (KND)
Por favor llame al 1-800-667-8623 o envíenos un email al
consumeraffairs@consumer.sunbeam.com**

Respuestas a sus preguntas respecto a esta garantía o a su locación más cercana en Canadá pueden obtenerse llamando gratis al 1-800-667-8623.

Para información sobre la garantía o la localización de un centro de servicio autorizado fuera de los Estados Unidos y Canada por favor vea la tarjeta de garantía insertada en el empaque del producto.

**NO ENVIE ESTE PRODUCTO AL LUGAR DONDE
FUE ADQUIRIDO. AL HACERLO ATRASARA EL
PROCESO DE RECLAMO DE SU GARANTIA.**

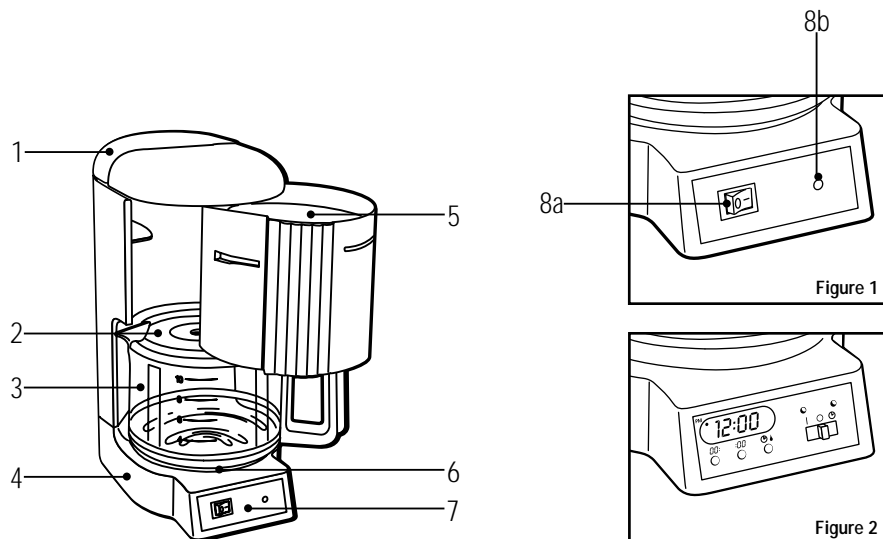
Esta garantía no cubre el desgaste normal de las partes por el uso del producto, ni daños por cualquier mal uso o negligencia, así como el uso de voltajes o corrientes inadecuadas, uso contrario al manual de operaciones, desmantelamiento, reparación o alteraciones hechas por cualquier persona ajena al centro autorizado de servicio. La reparación o reposición del producto es la única solución. Sunbeam Products Inc. no será responsable por daños incidentales o causados por el producto, ni de cualquier garantía implícita o explícita de este producto. Excepto de lo que la ley indica, cualquier garantía de comercialización o ajustada para un propósito en particular a este producto está limitada a la duración de esta garantía. Algunos estados no permiten la exclusión o limitación de daños incidentales o causados por el producto, o permiten la limitación dependiendo de la duración de la garantía implícita, así que las limitaciones o exclusiones arriba mencionadas pueden no aplicarse a usted. Esta garantía le da a usted derechos legales específicos y puede usted tener otros derechos que varían de estado a estado o de provincia a provincia.

PRECAUÇÕES IMPORTANTES

Sempre que utilizar eletrodomésticos, você deve tomar algumas medidas básicas de segurança, como as que seguem:

1. Leia e guarde todas as instruções.
2. Certifique-se que a sua tomada possui a mesma voltagem indicada na placa do aparelho.
3. A fim de evitar risco de choque elétrico, não coloque o fio, plugue nem o aparelho em água ou outro líquido.
4. Este eletrodoméstico não deve ser utilizado por crianças.
5. Supervisão constante é necessária quando qualquer aparelho for usado próximo a uma criança.
6. Desligue da tomada quando não estiver sendo utilizado, antes de colocar ou retirar peças, e antes de limpar.
7. Não utilize nenhum eletrodoméstico com o fio ou o plugue danificado. Não use o aparelho caso este não esteja funcionando adequadamente, caso tenha caído, ou esteja danificado. Leve o aparelho à Assistência Técnica Autorizada Sunbeam mais próxima para revisão, conserto ou ajuste.
8. O uso de acessórios não recomendados pelo fabricante pode causar incêndio, choque elétrico ou ferimentos.
9. Não use o aparelho ao ar livre.
10. Para uso doméstico exclusivamente.
11. Não deixe o fio pendurado sobre a borda da mesa ou balcão nem em contato com superfícies quentes.
12. Não deixe o aparelho ligado sem assistência.
13. Não use o aparelho para nenhum outro fim que não o seu específico.
14. Não coloque o aparelho em cima ou perto de um fogão ou estufa elétrica ou a gás, que esteja quente, nem sobre forno quente ou microondas.
15. Não toque superfícies quentes. Use proteção.
16. Mantenha a tampa na jarra enquanto estiver preparando ou servindo café.
17. Esta jarra foi projetada para uso somente com esta cafeteira. Não deve nunca ser usada sobre queimadores do fogão.
18. Não coloque a jarra quente sobre superfícies úmidas ou frias.
19. Não utilize a jarra se a mesma estiver rachada ou se o alça estiver frouxa ou solta.
20. Não limpe a jarra com produtos abrasivos, palha de aço ou outros materiais abrasivos.
21. Não despeje outros líquidos que não sejam água ou a solução de limpeza especificada neste manual no reservatório de água (veja as instruções para limpeza de cafeteira).
22. Não mova a unidade inteira quando a jarra contiver líquido quente.
23. Não remova a tampa inferior; não há peças utilizáveis pelo usuário dentro do aparelho.

CONSERVE ESTAS INSTRUÇÕES



CONHEÇA SUA CAFETEIRA SUNBEAM®

1. Reservatório de água
2. Tapa da jarra
3. Jarra
4. Base
5. Porta filtro
6. Placa de aquecimento
7. Painel de controle

Figure. 1

Painel de controle da modelo 3256.

8a. Interruptor Liga/Desliga

8b. Luz de Funcionamento

Figure. 2

Painel de controle da cafeteira Deluxe modelo 3258.

Ver Instruções Especiais para esse modelo.

CUIDADOS COM A SUA JARRA

Uma jarra danificada pode resultar em queimaduras causadas por líquido quente.

Para evitar a quebra da jarra, siga as instruções abaixo:

- Não deixe que todo o líquido evapore da jarra. Não aqueça a jarra quando estiver vazia.
- Descarte a jarra se a mesma apresentar qualquer tipo de avaria. Lascas ou rachaduras podem resultar na quebra ou na contaminação do líquido com partículas de vidro.
- Nunca use buchas de esfregar ou limpadores abrasivos, pois estes podem riscar ou danificar o vidro.
- Não coloque a jarra sobre ou próximo a queimadores a gás ou elétricos, em forno quente ou forno microondas.
- Evite o manuseio inadequado e golpes fortes.

ANTES DE USAR A CAFETEIRA

- Antes de preparar café na sua nova cafeteira Sunbeam® pela primeira vez, limpe completamente a jarra, a tampa da mesma, o porta filtro, o filtro, e a tampa do reservatório de água em água quente com sabão.
- Enxágüe e seque.
- Reponha as partes desmontadas.
- Limpe a parte interior da cafeteira preparando duas garrafas cheias com água da torneira (veja "Instruções de preparo"), porém sem colocar café no recipiente do filtro nesta limpeza inicial.

Observação: Ao final do primeiro ciclo, desligue a cafeteira e espere 10 minutos. Prepare a segunda jarra de água.

CUIDADOS E LIMPEZA DE SUA CAFETEIRA

- Antes de iniciar o procedimento de limpeza, certifique-se de que a cafeteira esteja desconectada e a placa de aquecimento fria.
- Após o uso diário, o filtro, o porta filtro e a jarra deverão ser lavados em água quente com sabão.
- Limpe a base com um pano úmido para remover manchas superficiais.
- Para manchas resistentes use uma esponja de nylon ou plástico com um produto não abrasivo.
- Não use buchas metálicas de palha de aço nem produtos abrasivos.

É recomendável que se efetue uma limpeza especial de sua cafeteira pelo menos uma vez ao mês, dependendo da frequência de uso e da qualidade da água utilizada no aparelho. Se a água na área em que você reside for especialmente dura, os seguintes procedimentos de limpeza devem ser efetuados a cada duas semanas, uma vez que os minerais na água podem prejudicar o sabor do café e possivelmente retardar o tempo de preparo.

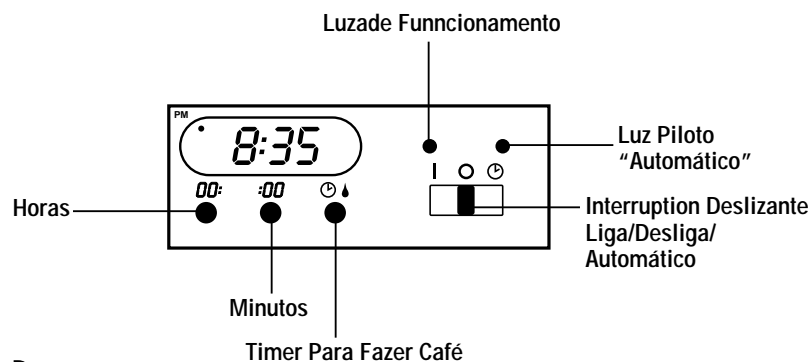
1. Encha a jarra com uma parte de vinagre branco e três partes de água fria. Despeje a solução de água e vinagre no reservatório de água.

2. Coloque o filtro sem café no porta filtro e gire até fechar. Coloque a jarra na placa de aquecimento. Coloque o interruptor posição "Liga". Durante a limpeza, ocorrerá maior quantidade de vapor do que no preparo normal.
3. MANTENHA A CAFETEIRA LIGADA ATÉ QUE A JARRA ESTEJA CHEIA ATÉ A METADE. Coloque o interruptor posição "Desiga". Quando o líquido parar de pingar do filtro para dentro da jarra, remova o porta filtro e a jarra e deixe que o líquido esfrie na jarra por 15 minutos. Quando estiver frio, despeje o líquido de volta no reservatório de água.
4. Coloque o porta filtro novamente no lugar e a jarra na placa de aquecimento.
5. Coloque o interruptor na posição "Liga". Repita o procedimento deixando que toda a solução de limpeza caia dentro da jarra. Quando não estiver mais pingando, jogue fora o conteúdo da jarra.
6. Após deixar que a cafeteira esfrie por 10 minutos, lave-a efetuando o ciclo de preparo de café com uma jarra cheia de água fria, porém sem acrescentar pó de café.
7. Ao final do ciclo de operação, coloque o interruptor na posição "Desliga". Jogue fora a água da jarra. Remova o filtro e lave-o junto com a jarra e o porta filtro em água quente com sabão. Seque as peças.
8. Quando a cafeteira estiver fria, seque a base com um pano seco.

Qualquer manutenção além dos serviços de limpeza acima, que requeira desmontagem, deverá ser efetuada por um Representante do Serviço Autorizado.

INSTRUÇÕES ESPECIAIS: Somente para as Cafeteras Deluxe modelo 3298.

De como utilizar o relógio/ timer programável e a função para desligar automaticamente.



AJUSTE DO RELÓGIO

1. Pressione o botão "Horas", mantendo-o pressionado até que a hora correta apareça no RELÓGIO, então libere-o. Favor notar que luz indicadora "P.M." se acenderá para as horas que vão desde o meio-dia até 11:59 da noite.
2. Pressione o botão "Minutos", mantendo-o pressionado até que os minutos corretos apareçam no RELÓGIO, então libere-o.

Observação: A função para ligar manualmente não funcionará até que o horário do RELÓGIO seja ajustado com os botões de hora e minuto. A função "Automático" pode ser selecionada antes que o horário do RELÓGIO seja ajustado, deslizando o interruptor primeiramente para a posição "Desliga" e depois para a posição "Automático".

PROGRAMAÇÃO DO TIMER

1. Pressione o botão do timer e mantenha-o pressionado. Pressione o botão para ajuste da hora e o botão para ajuste dos minutos até que a hora desejada para iniciar a fazer café automaticamente, após feito isso, libere o botão do timer.
2. Deslize o interruptor para a posição "Auto-mático" e o ciclo de operação iniciará automaticamente no horário programado. A placa de aquecimento permanecerá ligada por 1 hora e 59 minutos após o início da operação. Para continuar aquecendo após a conclusão desse período, deslize o interruptor para a posição "Desliga" e depois para a posição "Liga". Se a apa-relho tiver terminado de fazer café, o interruptor deverá ser colocado na posição "Desliga" antes que o aparelho possa ser reprogramado.
3. Se o interruptor for deixado nas posições "Liga" ou "Automático", a cafeteira desligará automaticamente em 1 hora e 59 minutos. Não se preocupe se a cafeteira ficar ligada acidentalmente.

Observação: A cafeteira não repetirá o ciclo Automático de operação nas próximas 24 horas, a menos que o interruptor deslizante seja primeiramente colocado na posição "Desliga" em seguida de volta na posição "Automático" para reajustar o ispositivo Automático.

FUNCIONAMENTO MANUAL

1. Deslize o interruptor para a posição "Liga". O ciclo de operação/preparo terá início e durará 1 hora e 59 minutos. O aparelho desligará automaticamente após este período.
2. Quando o ciclo terminar, não será possível realizar outros ciclos de operação até que o interruptor seja movido para a posição "Desliga" e em seguida novamente para a posição "Liga". Assim terá início mais um ciclo de operação de 1 hora e 59 minutos de duração.
3. Durante todo o ciclo de operação (1 hora e 59 minutos) tanto no funcionamento manual quanto no automático, o relógio mostrará o horário real.

INSTRUÇÕES DE PREPARO

1. Conecte a cafeteira à tomada.
2. Encha a jarra com água fria e despeje no reservatório de água. As marcas no reservatório de água indicam o nível de água necessário para preparar o número de xícaras desejado. Recomenda-se utilizar não menos de 2 xícaras ao utilizar este aparelho.

Observação: A quantidade de café preparado será sempre menor do que a quantidade de água colocada na cafeteira.

3. Coloque o filtro no porta filtro. Meça uma colher de sopa rasa de café moído regular ou fino para cada xícara de café desejada. Para o preparo de café mais forte ou mais fraco, ajuste a quantidade de café ao seu gosto.
4. Coloque o suporte do porta filtro novamente em sua posição original.
5. Coloque a jarra na placa de aquecimento.
6. Gire o interruptor para a posição "Liga". A luz de funcionamento indicará que o aparelho está em operação.

7. Caso deseje servir uma xícara de café antes que o ciclo de operação seja concluído, simplesmente remova a jarra da placa de aquecimento. O gotejamento será interrompido automaticamente. Coloque a jarra novamente sobre a placa de aquecimento antes de completar 30 segundos; para restabelecer o gotejamento de café.
8. Após o término do ciclo de operação, espere aproximadamente um minuto até que as gotas parem de pingar do filtro para dentro da jarra. A tampa da jarra deverá ser mantida no lugar para que o café seja servido com segurança e para ajudar a mantê-lo a uma temperatura apropriada para o consumo.
9. Para manter o café quente, recoloque a jarra sobre a placa de aquecimento após servir. A placa de aquecimento entrará em operação automaticamente para que o café seja mantido a uma temperatura ideal para o consumo, pelo tempo em que a cafeteira permanecer ligada.
10. Gire o interruptor para a posição "Desliga" quando a jarra estiver vazia ou quando o aparelho não estiver sendo utilizado.

PREPARO DE UMA SEGUNDA JARRA DE CAFÉ

Recomenda-se que o interruptor seja colocado na posição "Desliga" por 10 minutos entre um ciclo e outro, para o resfriamento da cafeteira. Enquanto o aparelho estiver na posição "Desliga", jogue fora o café usado, lave a jarra, o filtro e o porta filtro. Coloque as partes do volta na cafeteira. Repita o procedimento de preparo.

SUGESTÕES PARA UM CAFÉ AINDA MELHOR

- Uma cafeteira limpa é essencial para o preparo de um café com sabor superior. A limpeza periódica, conforme especificado em "Cuidados e Limpeza de Sua Cafeteira" é altamente recomendável.
- Sempre use água fresca e fria em sua cafeteira.
- Um café de moagem fina proporciona um café com sabor mais rico. Será necessária uma quantidade de café um pouco maior por xícara quando for utilizado um café de moagem regular, a fim de proporcionar a qualidade de um café de moagem mais fina.
- Conserve o café em local fresco e seco. Após a abertura do pacote de café, mantenha-o hermeticamente fechado no refrigerador para conservá-lo fresco.
- Para o preparo de um café de excelente qualidade, compre grãos inteiros, moendo-os finamente no seu liquidificador Sunbeam minutos antes do seu preparo.
- Não reaproveite pó de café, pois isto irá afetar substancialmente o sabor do mesmo.
- Não é recomendado o reaquecimento do café. Ele possui mais sabor imediatamente após o preparo.
- Pequenas gotas de óleo na superfície do café são devidas à extração de óleo do pó de café. A oleosidade pode ocorrer mais freqüentemente se for utilizado pó de café de torragem mais intensa. O excesso de extração também pode causar oleosidade, indicando a necessidade de limpar sua cafeteira.

GARANTÍA LIMITADA DE 2 AÑOS

A Sunbeam Products Inc. ofrece garantía por un período de dos años de que este producto no deva apresentar defeitos mecánicos e eléctricos devidos a seus materiais e à sua manufatura. Nossa obrigação em virtude disso é limitada ao conserto ou à substituição deste produto, conforme a escolha do fabricante, durante o período de garantia, desde que o(s) produto(s) adquiridos nos Estados Unidos seja(m) enviados com tarifa postal previamente paga diretamente para:

**SUNBEAM APPLIANCE SERVICE STATION
117 Central Industrial Row
Purvis, MS 39475**

Consultas referentes a esta garantía ou à localização do centro de assistência e serviços mais próximo dentro dos Estados Unidos poderão ser feitas pelo telefone no número gratuito 1 800 597-5978 ou pelo correio, escrevendo para Sunbeam - Consumer Affairs en P.O. Box 948389, Maitland, Florida 32794-8389.

Os produtos comprados no Canadá devem ser devolvidos com tarifa postal previamente paga diretamente para:

**SUNBEAM APPLIANCE SERVICE STATION (KND)
Por chamado de favor 1-800-667-8623 ou email nos
consumeraffairs@consumer.sunbeam.com**

Consultas referentes a esta garantía ou localização do centro de assistência e serviços mais próximo dentro do Canadá poderão ser feitas pelo telefone no número gratuito 1-800-667-8623. (Somente dentro do Canadá).

Para obter informações sobre a garantía ou sobre a localização de serviços de assistência técnica fora dos Estados Unidos e Canadá, consulte o cartão de serviços de garantía encontrado dentro da embalagem deste produto.

**NÃO DEVOLVA ESTE PRODUTO AO LOCAL DA COMPRA DO MESMO.
ISTO PODERÁ ATRASAR O PROCESSAMENTO
DO SEU PEDIDO DE GARANTIA.**

Esta garantía não cubre o desgaste normal das peças ou os danos resultantes de qualquer uma das seguintes situações: uso negligente ou indevido do produto, uso deste sob tensão ou corrente incorretas, uso deste de forma não recomendada pelas instruções de operação ou ainda desmonte, conserto ou alteração do mesmo por qualquer pessoa além dos técnicos do centro autorizado de serviços. O conserto ou substituição do produto conforme ditado pela garantía expressa ou implícita sobre este produto. À exceção do âmbito proibido pelas leis aplicáveis, qualquer garantía implícita da aplicabilidade para o uso a que se destina ou da adequação do produto para um fim em particular é limitada em sua duração ao prazo da garantía acima. Alguns estados e províncias não permitem a exclusão ao limitação de danos incidentais ou resultantes de um ato, ou permitem a limitação da duração de uma garantía implícita, de modo que as limitações ou exclusões acima talvez não sejam aplicáveis ao seu caso. Esta garantía lhe confere direitos legais específicos, mas você poderá gozar também de direitos adicionais que variam de estado para estado e de província para província.

Sunbeam[®]

©1997 Sunbeam Corporation or its affiliated companies. All rights reserved.
Sunbeam[®] is a registered trademark of Sunbeam Corporation or its affiliated companies.
Distributed by Sunbeam Products Inc., Delray Beach, Florida, 33445, or an affiliated company.

© 1997 Sunbeam Corporation ou ses sociétés apparentées. Tous droits réservés.
Sunbeam[®] est une marque déposée de Sunbeam Corporation ou de ses sociétés apparentées.
Distribué par Sunbeam Products Inc., Delray Beach, Florida, 33445, ou une société apparentée.

©1997 Sunbeam Corporation o sus corporaciones afiliadas. Todos los derechos reservados.
Sunbeam[®] esta una marca registrada de Sunbeam Corporation o de sus corporaciones afiliadas
Distribuido por Sunbeam Products Inc., Delray Beach, Florida, 33445, o una corporación afiliada.

©1997 Sunbeam Corporation ou suas empresas afiliadas. Todos os direitos reservados.
Sunbeam[®] é uma marca registrada da Sunbeam Corporation, ou de suas empresas afiliadas.
Distribuído pela Sunbeam Products Inc., Delray Beach, Florida, 33445, ou uma empresa afiliada.

Free Manuals Download Website

<http://myh66.com>

<http://usermanuals.us>

<http://www.somanuals.com>

<http://www.4manuals.cc>

<http://www.manual-lib.com>

<http://www.404manual.com>

<http://www.luxmanual.com>

<http://aubethermostatmanual.com>

Golf course search by state

<http://golfingnear.com>

Email search by domain

<http://emailbydomain.com>

Auto manuals search

<http://auto.somanuals.com>

TV manuals search

<http://tv.somanuals.com>