

WARRANTY INFORMATION

1 YEAR LIMITED WARRANTY

Sunbeam Products, Inc. doing business as Jarden Consumer Solutions or if in Canada, Sunbeam Corporation (Canada) Limited doing business as Jarden Consumer Solutions (collectively "JCS") warrants that for a period of one year from the date of purchase, this product will be free from defects in material and workmanship. JCS, at its option, will repair or replace this product or any component of the product found to be defective during the warranty period. Replacement will be made with a new or remanufactured product or component. If the product is no longer available, replacement may be made with a similar product of equal or greater value. This is your exclusive warranty. Do NOT attempt to repair or adjust any electrical or mechanical functions on this product. Doing so will void this warranty.

This warranty is valid for the original retail purchaser from the date of initial retail purchase and is not transferable. Keep the original sales receipt. Proof of purchase is required to obtain warranty performance. JCS dealers, service centers, or retail stores selling JCS products do not have the right to alter, modify or any way change the terms and conditions of this warranty.

This warranty does not cover normal wear of parts or damage resulting from any of the following: negligent use or misuse of the product, use on improper voltage or current, use contrary to the operating instructions, disassembly, repair or alteration by anyone other than JCS or an authorized JCS service center. Further, the warranty does not cover: Acts of God, such as fire, flood, hurricanes and tornadoes.

What are the limits on JCS's Liability?

JCS shall not be liable for any incidental or consequential damages caused by the breach of any express, implied or statutory warranty or condition.

Except to the extent prohibited by applicable law, any implied warranty or condition of merchantability or fitness for a particular purpose is limited in duration to the duration of the above warranty.

JCS disclaims all other warranties, conditions or representations, express, implied, statutory or otherwise.

JCS shall not be liable for any damages of any kind resulting from the purchase, use or misuse of, or inability to use the product including incidental, special, consequential or similar damages or loss of profits, or for any breach of contract, fundamental or otherwise, or for any claim brought against purchaser by any other party.

Some provinces, states or jurisdictions do not allow the exclusion or limitation of incidental or consequential damages or limitations on how long an implied warranty lasts, so the above limitations or exclusion may not apply to you.

This warranty gives you specific legal rights, and you may also have other rights that vary from province to province, state to state or jurisdiction to jurisdiction.

How to Obtain Warranty Service

In the U.S.A.

If you have any question regarding this warranty or would like to obtain warranty service, please call 1-888-264-9669 and a convenient service center address will be provided to you.

In Canada

If you have any question regarding this warranty or would like to obtain warranty service, please call 1-888-264-9669 and a convenient service center address will be provided to you.

WARRANTY INFORMATION

In the U.S.A., this warranty is offered by Sunbeam Products, Inc. doing business as Jarden Consumer Solutions located in Boca Raton, Florida 33431. In Canada, this warranty is offered by Sunbeam Corporation (Canada) Limited doing business as Jarden Consumer Solutions, located at 20 B Hereford Street, Brampton, Ontario L6Y 0M1. If you have any other problem or claim in connection with this product, please write our Consumer Service Department. **PLEASE DO NOT RETURN THIS PRODUCT TO ANY OF THESE ADDRESSES OR TO THE PLACE OF PURCHASE.**

© 2009 Sunbeam Products, Inc. doing business as Jarden Consumer Solutions. All Rights Reserved.

Distributed by Sunbeam Products, Inc. doing business as Jarden Consumer Solutions, Boca Raton, Florida 33431.

Printed In China

TRUSTED FOR OVER
100 YEARS

Sunbeam®

SFH431

Compact Bathroom Heater



Instruction Leaflet

PLEASE READ AND SAVE THESE IMPORTANT INSTRUCTIONS

CONFIANZA DESDE HACE
100 AÑOS

Sunbeam®

SFH431

Calentador Compacto Para Baño



Folleto de instrucciones

LEA Y CONSERVE ESTAS IMPORTANTES INSTRUCCIONES

INFORMACION DE LA GARANTIA

GARANTÍA LIMITADA DE 1 AÑO

Sunbeam Products, Inc. operando bajo el nombre de Jarden Consumer Solutions, o en Canadá, Sunbeam Corporation (Canada) Limited operando bajo el nombre de Jarden Consumer Solutions, (en forma conjunta, "JCS"), garantiza que por un período de uno año a partir de la fecha de compra, este producto estará libre de defectos de materiales y mano de obra. JCS, a su elección, reparará o reemplazará este producto o cualquier componente del mismo que presente defectos durante el período de garantía. El reemplazo se realizará por un producto o componente nuevo o reparado. Si el producto ya no estuviera disponible, se lo reemplazará por un producto similar de valor igual o superior. Ésta es su garantía exclusiva. No intente reparar o ajustar ninguna función eléctrica o mecánica de este producto. Al hacerlo eliminará esta garantía.

La garantía es válida para el comprador minorista original a partir de la fecha de compra inicial y la misma no es transferible. Conserve el recibo de compra original. Para solicitar servicio en garantía se requiere presentar un recibo de compra. Los agentes y centros de servicio de JCS o las tiendas minoristas que venden productos de JCS no tienen derecho a alterar, modificar ni cambiar de ningún otro modo los términos y las condiciones de esta garantía.

Esta garantía no cubre el desgaste normal de las piezas ni los daños que se produzcan como resultado de uso negligente o mal uso del producto, uso de voltaje incorrecto o corriente inapropiada, uso contrario a las instrucciones operativas, y desarme, reparación o alteración por parte de un tercero ajeno a JCS o a un Centro de Servicio autorizado por JCS. Asimismo, la garantía no cubre actos fortuitos tales como incendios, inundaciones, huracanes y tornados.

¿Cuál es el límite de responsabilidad de JCS?

JCS no será responsable de daños incidentales o emergentes causados por el incumplimiento de alguna garantía o condición expresa, implícita o legal.

Excepto en la medida en que lo prohíba la ley aplicable, cualquier garantía o condición implícita de comerciabilidad o aptitud para un fin determinado se limita, en cuanto a su duración, al plazo de la garantía antes mencionada.

JCS queda exenta de toda otra garantías, condiciones o manifestaciones, expresa, implícita, legal o de cualquier otra naturaleza.

JCS no será responsable de ningún tipo de daño que resulte de la compra, uso o mal uso del producto, o por la imposibilidad de usar el producto, incluidos los daños incidentales, especiales, emergentes o similares, o la pérdida de ganancias, ni de ningún incumplimiento contractual, sea de una obligación esencial o de otra naturaleza, ni de ningún reclamo iniciado contra el comprador por un tercero.

Algunas provincias, estados o jurisdicciones no permiten la exclusión o limitación de los daños incidentales o emergentes ni las limitaciones a la duración de las garantías implícitas, de modo que es posible que la exclusión o las limitaciones antes mencionadas no se apliquen en su caso.

Esta garantía le otorga derechos legales específicos y es posible que usted tenga otros derechos que varían de un estado, provincia o jurisdicción a otro.

Cómo solicitar el servicio en garantía

En los Estados Unidos

Si tiene alguna pregunta sobre esta garantía o desea recibir servicio de garantía, llame al 1 (888) 264-9669 y podrá obtener la dirección del centro de servicio que le resulte más conveniente.

En Canadá

Si tiene alguna pregunta sobre esta garantía o desea recibir servicio de garantía, llame al 1 (888) 264-9669 y podrá obtener la dirección del centro de servicio que le resulte más conveniente.

INFORMACION DE LA GARANTIA

En los Estados Unidos, esta garantía es ofrecida por Sunbeam Products, Inc. operando bajo el nombre de Jarden Consumer Solutions, Boca Raton, Florida 33431. En Canadá, esta garantía es ofrecida por Sunbeam Corporation (Canada) Limited operando bajo el nombre de Jarden Consumer Solutions, 20 B Hereford Street, Brampton, Ontario L6Y 0M1. Si usted tiene otro problema o reclamo en conexión con este producto, por favor escriba al Departamento de Servicio al Consumidor. **POR FAVOR NO DEVUELVA ESTE PRODUCTO A NINGUNA DE ESTAS DIRECCIONES NI AL LUGAR DE COMPRA.**

© 2009 Sunbeam Products, Inc. operando bajo el nombre de Jarden Consumer Solutions. Todos los derechos reservados. Distribuido por Sunbeam Products, Inc. operando bajo el nombre de Jarden Consumer Solutions, Boca Raton, Florida 33431.

138453/9100020010770
GCDS-SUN14798-JC

SFH431UM09ESM2

Impreso en China

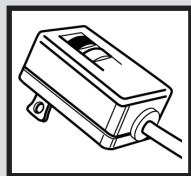
PLEASE READ AND SAVE THESE IMPORTANT SAFETY INSTRUCTIONS

When using electrical appliances, basic safety precautions should always be followed to reduce the risk of fire, electric shock, and injury to persons, including the following:

1. Read all instructions before using the appliance.
2. To avoid fire or shock hazard, plug the appliance directly into a 120V AC electrical outlet.
3. The heater is hot when in use. To avoid burns, DO NOT let bare skin touch hot surfaces. If provided, use handles when moving this heater. Keep combustible materials, such as furniture, pillows, bedding, papers, clothes, and curtains at least 3 ft (0.9 m) from the front of the heater and keep them away from the sides and rear.
4. DO NOT run cord under carpeting. DO NOT cover cord with throw rugs, runners, or the like. Arrange cord away from traffic area and where it will not be tripped over.
5. Extreme caution is necessary when any heater is used by, or near children or invalids, and whenever the heater is left operating and unattended.
6. Always unplug the heater when not in use.
7. When unplugging, be sure to pull by the plug and not the cord.
8. DO NOT insert or allow foreign objects to enter any ventilation or exhaust opening as this may cause an electric shock or fire, or damage the heater.
9. DO NOT operate heater with a damaged cord or plug, or after the heater malfunctions, has been dropped or damaged in any manner. Return appliance to manufacturer for examination, electrical or mechanical adjustment, or repair.
10. A heater has hot and arcing or sparking parts inside. DO NOT use it in areas where gasoline, paint, or flammable liquids are used or stored.

11. Use appliance only for intended household use as described in this manual. Any other use not recommended by the manufacturer may cause fire, electric shock, or injury to persons. The use of attachments not recommended or sold by the manufacturer may cause hazards.
12. DO NOT use outdoors.
13. To prevent a possible fire, DO NOT block air intakes or exhaust in any manner. DO NOT use on soft surfaces, like a bed, where openings may become blocked.
14. To disconnect heater, turn controls to OFF, then remove plug from outlet.
15. This heater is not intended for use with an extension cord. Plug the cord directly into an appropriate wall receptacle.
16. If the heater will not operate, see specific instructions on Auto Safety Shut-off.
17. DO NOT attempt to repair or adjust any electrical or mechanical functions on this unit. Doing so will void your warranty. The inside of the unit contains no user serviceable parts. All servicing should be performed by qualified personnel only.
18. Discontinue use if plug or outlet is hot. It is recommended that the outlet be replaced if plug or outlet is hot to touch.

PLEASE READ AND SAVE THESE IMPORTANT SAFETY INSTRUCTIONS

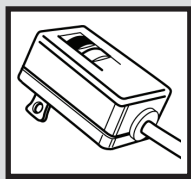


ALCI (Appliance Leakage Current Interrupter) SAFETY DEVICE: This device provides protection against electric shock due to ground fault currents by automatically shutting off the power. To test the operation of the ALCI Safety Device, switch the heater ON. Press the TEST button on the ALCI device attached to the plug end of the line cord. The heater and fan should stop operating and the Power Light should be extinguished. Press the RESET button on the ALCI device to resume normal operation of the heater. This device should not be used on ON/OFF operation switch. **CAUTION: ALTHOUGH THIS DEVICE IS PROVIDED WITH PROTECTION WHICH REDUCES THE RISK OF ELECTRIC SHOCK, THIS PRODUCT SHOULD NEVER BE USED CARELESSLY NEAR WATER.**

LEA Y CONSERVE ESTAS IMPORTANTES INSTRUCCIONES DE SEGURIDAD

Para reducir el riesgo de incendios, descargas eléctricas y lesiones personales al utilizar electrodomésticos, siga siempre las precauciones básicas de seguridad, incluyendo las que se mencionan a continuación:

1. Lea completamente las instrucciones antes de utilizar el aparato.
2. Para evitar incendios o descargas eléctricas, enchufe el aparato directamente a un tomacorriente de 120V CA.
3. El calentador se calienta al usarlo. Para evitar quemaduras, NO toque las superficies calientes con la piel. Si existen, utilice las manijas para mover la unidad. Mantenga los materiales combustibles, como muebles, almohadones, sábanas, papeles, ropa y cortinas a por lo menos 3 pies (0,9m) de la parte delantera del calefactor y manténgalos alejados de los costados y de la parte de atrás.
4. NO instale el cable debajo de alfombras. NO cubra el cable con alfombrillas, tapetes o similares. Coloque el cable fuera de las zonas de tráfico y donde nadie se pudiera tropezarse con él.
5. Debe tener mucho cuidado cuando el calefactor es utilizado por, o cerca de niños o inválidos, y siempre que se deje el calefactor prendido y desatendido.
6. Siempre desenchufe el calefactor cuando no lo utilice.
7. Al desenchufarlo, asegúrese de tirar del enchufe y no del cable.
8. NO inserte o permita que ningún objeto extraño entre por las rejillas de ventilación o de salida ya que pueden ocasionar una descarga eléctrica o incendio, o dañar el calefactor.
9. NO utilice el calefactor si el cable o el enchufe están dañados o luego de una falla, se haya caído o haya sufrido cualquier tipo de daño. Devuelva el aparato al fabricante para su inspección, ajuste eléctrico o mecánico, o reparación.



DISPOSITIVO DE SEGURIDAD ALCI (Interruptor de corriente de pérdida para electrodomésticos): Este dispositivo proporciona protección contra descargas eléctricas causadas por corrientes de falla a tierra desconectando automáticamente la alimentación. Para verificar el funcionamiento del dispositivo ALCI de Seguridad, encienda el calefactor. Presione el botón de TEST del dispositivo ALCI en el extremo del cable de alimentación donde está el enchufe. El calefactor y el ventilador deben apagarse, junto con la luz de encendido. Presione el botón RESET del dispositivo ALCI para volver a usar normalmente el calefactor. Este dispositivo no se debe usar como llave de encendido. **CUIDADO: A PESAR DE QUE ESTE DISPOSITIVO ESTÁ EQUIPADO CON UNA PROTECCIÓN QUE REDUCE EL RIESGO DE DESCARGAS ELÉCTRICAS, ESTE PRODUCTO NUNCA DEBE USARSE SIN TENER CUIDADO CERCA DEL AGUA.**

FEATURES - OPERATIONS

TECHNICAL SPECIFICATIONS

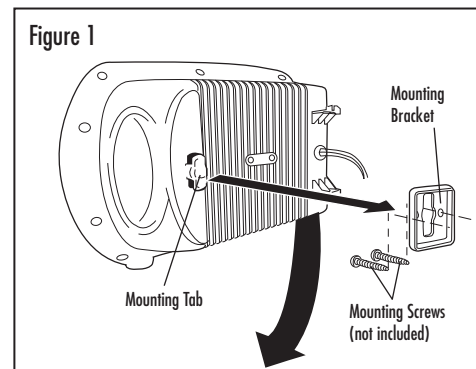
- Amps: 12.5
- Wattage: 1500W (+5% -10%)
- Working voltage: 120V AC/60Hz

WALL MOUNT INSTALLATION INSTRUCTIONS

Your heater comes fully assembled and ready for immediate use. It also comes with a Wall Mount Bracket which allows you to mount the heater on wall.

Wall Mount Installation:

1. Carefully remove your heater and the Wall Mount Bracket from the box.
2. Secure the mounting bracket to the wall as shown. (See Figure 1)



3. Turn heater sideways and position the mounting tab on the back of the heater so it lines up with the mounting bracket.
4. Place mounting tab into the mounting bracket and rotate heater into the upright position to lock it in place.

Please Note: Due to the multitude of potential mounting surfaces, mounting screws are not included with this product. Please visit your local hardware store to determine which type of screw is best for your particular wall.

OPERATING INSTRUCTIONS

1. Make sure the unit is in the Off position before plugging the heater into the outlet.
2. Place heater on firm level surface.
3. Avoid overloading your circuit by not using other high wattage appliances in the same outlet.

Mode Control

Turn the Mode Control to select your desired settings:

Power Off

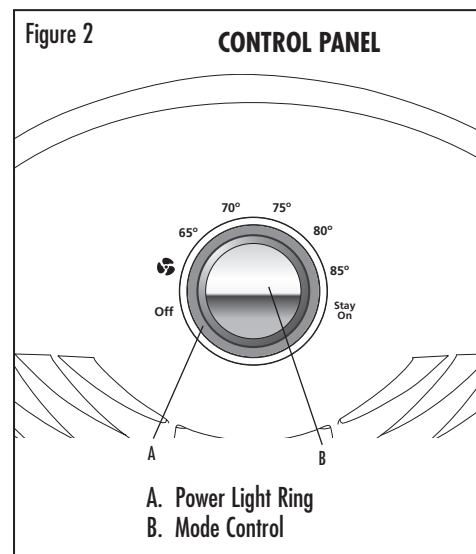
To shut off the heater at any setting, turn the Mode Control to **Off** position, the Power Light Ring will then go off. The fan will run for 10 seconds without heat before turning off. Power Light Ring will not illuminate when the Mode Control is at **Off** position.

Fan Only Setting

For fan-only operation without any heat output, turn the Mode Control to the **FAN** position.

Comfort Temperature Setting

- There are 5 temperature levels available for selection: **65°F, 70°F, 75°F, 80°F, 85°F**. Turn the



CLEANING / MAINTENANCE TROUBLESHOOTING

Mode Control to your desired temperature / comfort level.

- When the preset temperature is reached, the heater will shut off until the room temperature drops below the preset temperature, the heater will be switched on again to maintain the room at the preset temperature level.

NOTE: It is normal for the heater to cycle ON and OFF as it maintains the preset temperature. When the preset temperature is reached or when the heater is shut off, the fan will run for 10 seconds without heat. This cool down process ensures an accurate and consistent temperature reading.

Stay On Setting

The heater will run continuously at 1500W until you turn the Mode Control to **Off** position. **NOTE:** The fan will run for 10 seconds without heat before turning off.

CLEANING/MAINTENANCE

Always unplug the heater before cleaning and allow the heater to cool down.

1. Clean the unit with a soft cloth moistened with a mild soap solution.
2. NEVER use abrasive or flammable solvents to clean the unit.
3. After cleaning, be sure to completely dry the unit with a cloth or towel.
4. Store heater in a cool, dry location.
5. It is recommended that you store the unit in its original carton.

AUTO SAFETY SHUT-OFF

This heater is equipped with a patented, technologically advanced, safety system that requires the user to reset the heater if there is a potential overheat situation. When a potential overheat temperature is reached, the system will automatically shut the heater off. It can only resume operation when the user resets the unit.

To Reset the Heater :

If the unit shuts down:

1. Unplug unit.
2. Wait 30 minutes for unit to cool down.
3. Plug in and operate normally.

TROUBLESHOOTING

If your heater fails to operate:

- Turn the heater OFF and UNPLUG THE HEATER.
- Make sure the electrical outlet or circuit breaker is working.
- Check for obstructions. If you find an obstruction turn the heater OFF, and unplug the unit. Carefully remove the obstruction and follow the reset instructions.
- Make sure the switch on the ALCI plug is in the RESET position.
- The temperature may be set too low. Turn the Mode Control to a higher temperature level until the heater restarts.
- Make sure the Model Control is set at any of the preset temperature level or at "Stay On" setting.

Please DO NOT attempt to open or repair the heater. Please see the Warranty for Service Instructions.

If you have any questions regarding your product or would like to learn more about other Sunbeam® products, please contact our Consumer Service Department at 1-888-264-9669 or visit our website at www.sunbeam.com.

CARACTERISTICAS Y FUNCIONAMIENTO

LEA Y CONSERVE ESTAS IMPORTANTES INSTRUCCIONES DE SEGURIDAD

ESPECIFICACIONES TECNICAS

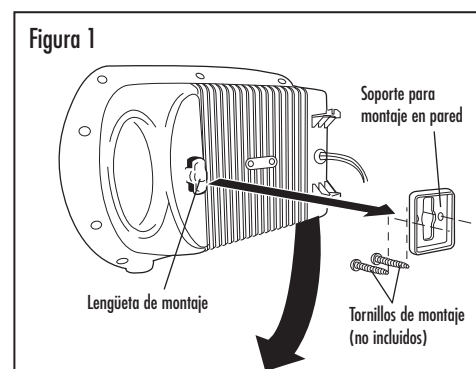
- Amperes: 12.5
- Potencia: 1500 W (+5% -10%)
- Voltaje de funcionamiento: 120v CA/60Hz

INSTRUCCIONES PARA INSTALARLO EN LA PARED

El calefactor viene completamente ensamblado y listo para el uso inmediato. También viene con un soporte para montaje en pared que le permite colocar el calefactor en la pared.

Instalación del soporte para montaje en pared:

1. Abra la caja y saque el calefactor y el soporte para montaje en pared con cuidado.
2. Asegure la consola bien en la pared tal como se muestra. (Véase Figura 1)



3. Coloque el calefactor de costado y ubique la pestaña de montaje en la parte trasera del mismo, de modo que quede alineada con el soporte de montaje.
4. Coloque la pestaña de montaje dentro del soporte

correspondiente y gire el calefactor hasta que quede derecho y se fije en su lugar.

Por favor: tenga en cuenta que debido a la gran variedad de posibles superficies de instalación, no se incluyen los tornillos para instalarlo. Por favor, vaya a la ferretería local para determinar qué tipo de tornillos es el mejor para su pared en particular.

INSTRUCCIONES DE USO

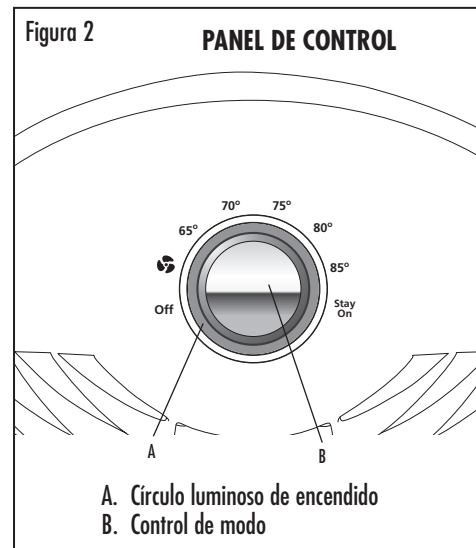
1. Asegúrese de que esté en la posición OFF antes de enchufarlo en el tomacorriente.
2. Coloque el calefactor en una superficie firme y nivelada.
3. Evite sobrecargar el circuito eléctrico evitando utilizar otro aparato de alta potencia en el mismo tomacorriente.

Control de modo

Con el Control de modo, seleccione la configuración deseada:

Apagado

Para apagar el calefactor con cualquier configuración, coloque el Control de modo en la posición de apagado y el Círculo luminoso de encendido se apagará. El



LIMPIEZA / MANTENIMIENTO DIAGNÓSTICO DE PROBLEMAS

ventilador funcionará durante 10 segundos sin calor antes de apagarse. El Círculo luminoso de encendido no se iluminará cuando el Control de modo se encuentre apagado.

Configuración Sólo ventilador

Para que el calefactor funcione sólo con el ventilador, sin salida de calor, coloque el Control de modo en la posición **VENTILADOR**.

Configuración Temperatura confortable

- Existen 5 niveles de temperatura disponibles para selección: **65°F, 70°F, 75°F, 80°F, 85°F**. Establezca el Control de modo en el nivel de temperatura confortable que desee.
- Cuando se alcance la temperatura preestablecida, el calefactor se apagará hasta que la temperatura de la habitación descienda por debajo de dicha temperatura y se volverá a encender para mantener la habitación en el nivel de temperatura preestablecida.

NOTA: Es normal que el calentador vaya del ciclo ON a OFF para mantener la temperatura programada. Cuando llegue a la temperatura programada, el ventilador funcionará por unos 10 segundos sin calentar para enfriar y asegurar que el indicador digital muestre una temperatura precisa y consistente.

Configuración Permanecer encendido

El calefactor funcionará continuamente a 1500W hasta que desactive el Control de modo. **NOTA:** El ventilador funcionará durante 10 segundos sin calor antes de apagarse.

LIMPIEZA / MANTENIMIENTO

Siempre desenchufe el calefactor y deje que se enfríe antes de limpiarlo.

1. Limpie la unidad con un paño suave humedecido en una solución de jabón suave.
2. NUNCA utilice solventes abrasivos o inflamables para limpiar la unidad.
3. Después de limpiarla, asegúrese de secar completamente la unidad con un trapo o toalla.
4. Guarde el calefactor en un lugar frío y seco.
5. Se recomienda guardar la unidad en su embalaje original.

APAGADO AUTOMÁTICO DE SEGURIDAD

Este calefactor está equipado con un sistema de seguridad patentado, de tecnología avanzada que requiere que el usuario reinicie el calefactor en caso de un sobrecalentamiento potencial. Cuando se alcanza una temperatura de un posible recalentamiento, el sistema apagará automáticamente el calefactor. Volverá a funcionar únicamente cuando el usuario prenda de nuevo la unidad.

Para volver a prender el calefactor:

Si la unidad se apaga:

1. Desenchufe la unidad.
2. Espere 30 minutos para que la unidad se enfríe.
3. Enchufela y vuelvala a operar normalmente.

DIAGNÓSTICO DE PROBLEMAS

Si su calefactor no funciona:

- APAGUE el calefactor y DESENCHÚFELO.
- Asegúrese de que el tomacorriente o la llave térmica funcione correctamente.
- Verifique que no haya ninguna obstrucción. Si encuentra una obstrucción, apague el calefactor, y DESENCHÚFELO. Quite cuidadosamente la obstrucción y siga el procedimiento para volver a funcionar la unidad.
- Verifique que el interruptor en el enchufe ALCI esté en la posición RESET (reinicializar).
- La temperatura establecida puede resultar demasiado baja. Coloque el Control de modo en un nivel de temperatura más alto hasta que el calefactor se reinicie.
- Asegúrese de que el Control de modo se establezca en un nivel de temperatura preestablecido o en "Permanecer encendido".

NO intente abrir o reparar el calefactor. Por favor, vea la garantía para las instrucciones de reparación.

Si tiene preguntas relacionadas con este producto o si está interesado en conocer otros productos Sunbeam®, póngase en contacto con nuestro Departamento de Servicio al Cliente: llame al 1-888-264-9669 o visite nuestro sitio web www.sunbeam.com.

Free Manuals Download Website

<http://myh66.com>

<http://usermanuals.us>

<http://www.somanuals.com>

<http://www.4manuals.cc>

<http://www.manual-lib.com>

<http://www.404manual.com>

<http://www.luxmanual.com>

<http://aubethermostatmanual.com>

Golf course search by state

<http://golfingnear.com>

Email search by domain

<http://emailbydomain.com>

Auto manuals search

<http://auto.somanuals.com>

TV manuals search

<http://tv.somanuals.com>