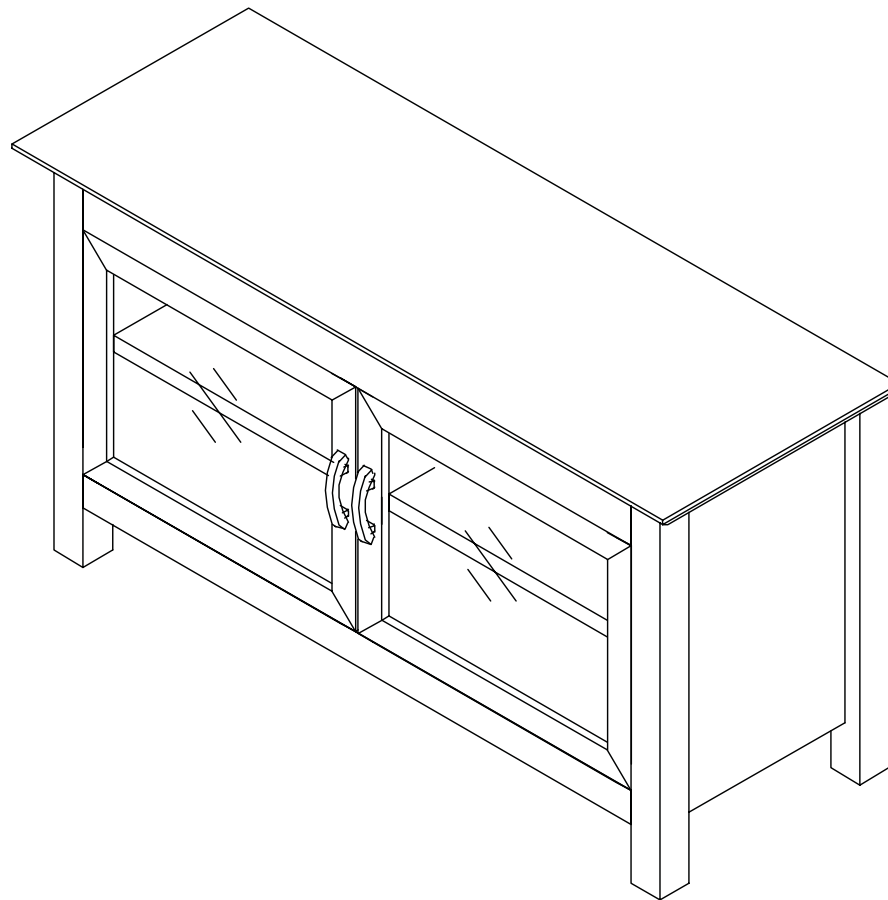




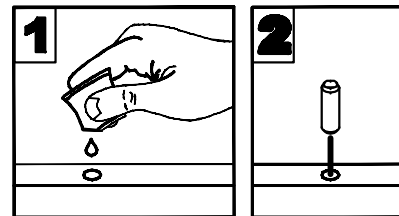
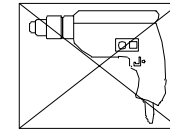
W44CFDBL, W44CFDMB ASSEMBLY INSTRUCTIONS



For our most up-to-date instructions, to request missing, lost, or broken parts, or for any other Customer Service issues, please visit our website at www.walkeredison.com or call us at 1-877-207-5906.

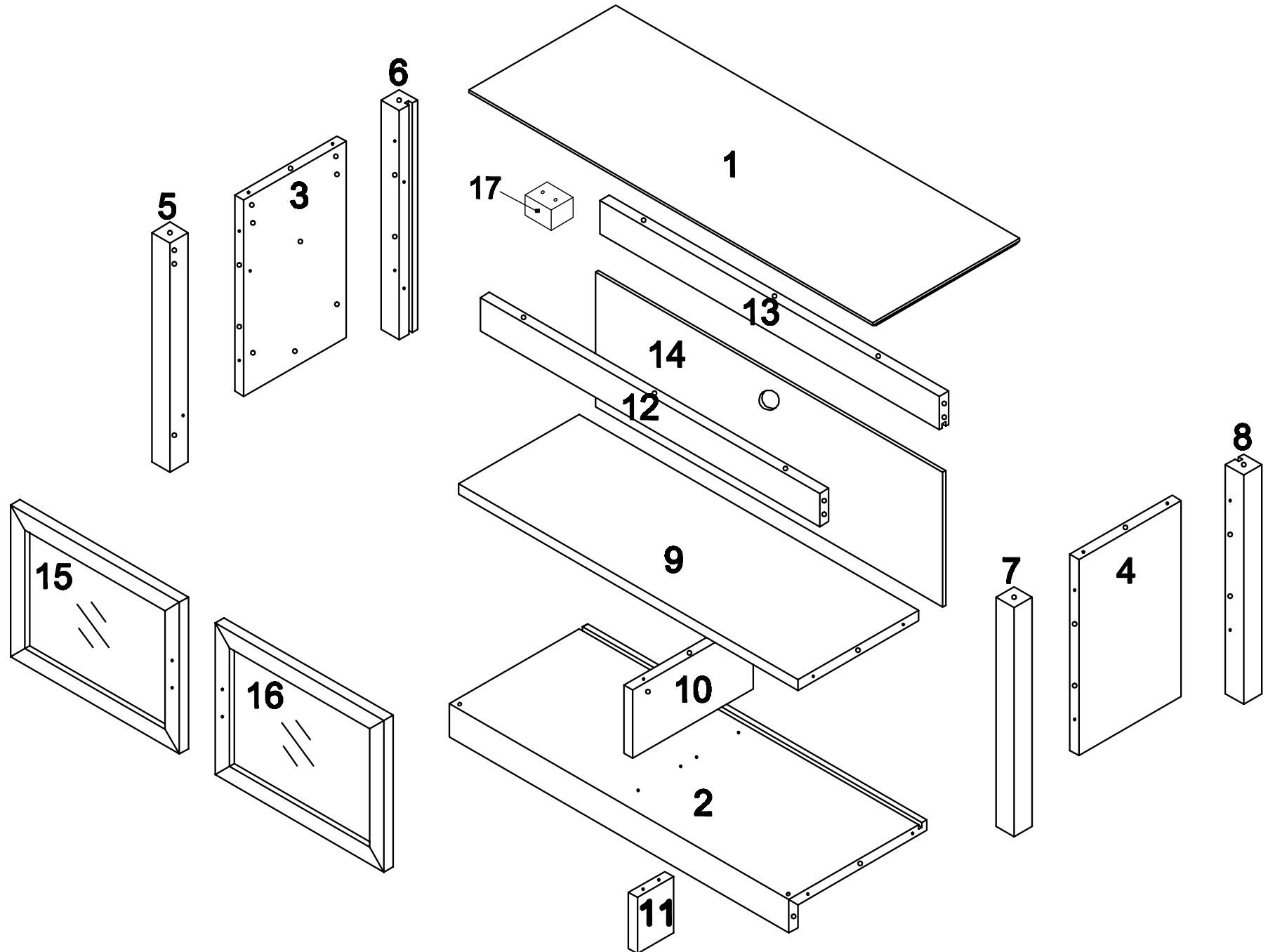
General Assembly Guidelines

- I. Ensure that all parts are available before beginning assembly.
- II. Follow each step carefully to ensure proper assembly of this product.
- III. The four (4) types of hardware used to assemble this TV console are: wood dowels, cam and bolt, hex-head bolts, and screws.
- IV. Two people are recommended for ease in assembly of this product.
- V. Power tools should not be used to assemble this product.
- VI. To attach wood dowels, place provided glue in the holes before inserting dowel.
Wipe away excess glue immediately.


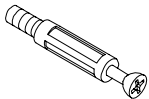
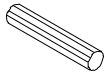
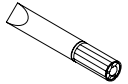
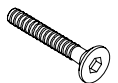

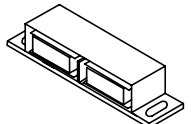

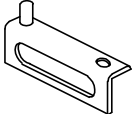
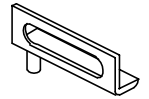



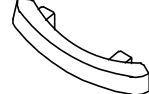



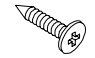
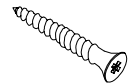
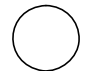
For our most up-to-date instructions, to request missing, lost, or broken parts, or for any other Customer Service issues, please visit our website at www.walkeredison.com or call us at 1-877-207-5906.

W44CFDBL, W44CFDMB Parts List

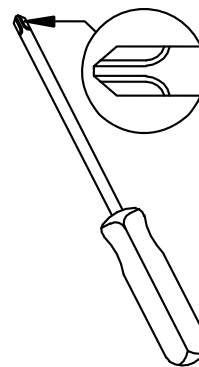


W44CFDBL, W44CFDMB Hardware List

A. Cam lock		22 pcs
B. Cam bolt		22 pcs
C. Dowel		37 pcs
D. Glue tube		2 pcs
E. Screw (6x50mm)		4 pcs
F. Hex wrench		1 pc
G. Door stopper		1 pc
H. Screw (3x12mm)		10 pcs
I. Door Hinge		2 pcs
J. Door Hinge		2 pcs
K. Screw		2 pcs

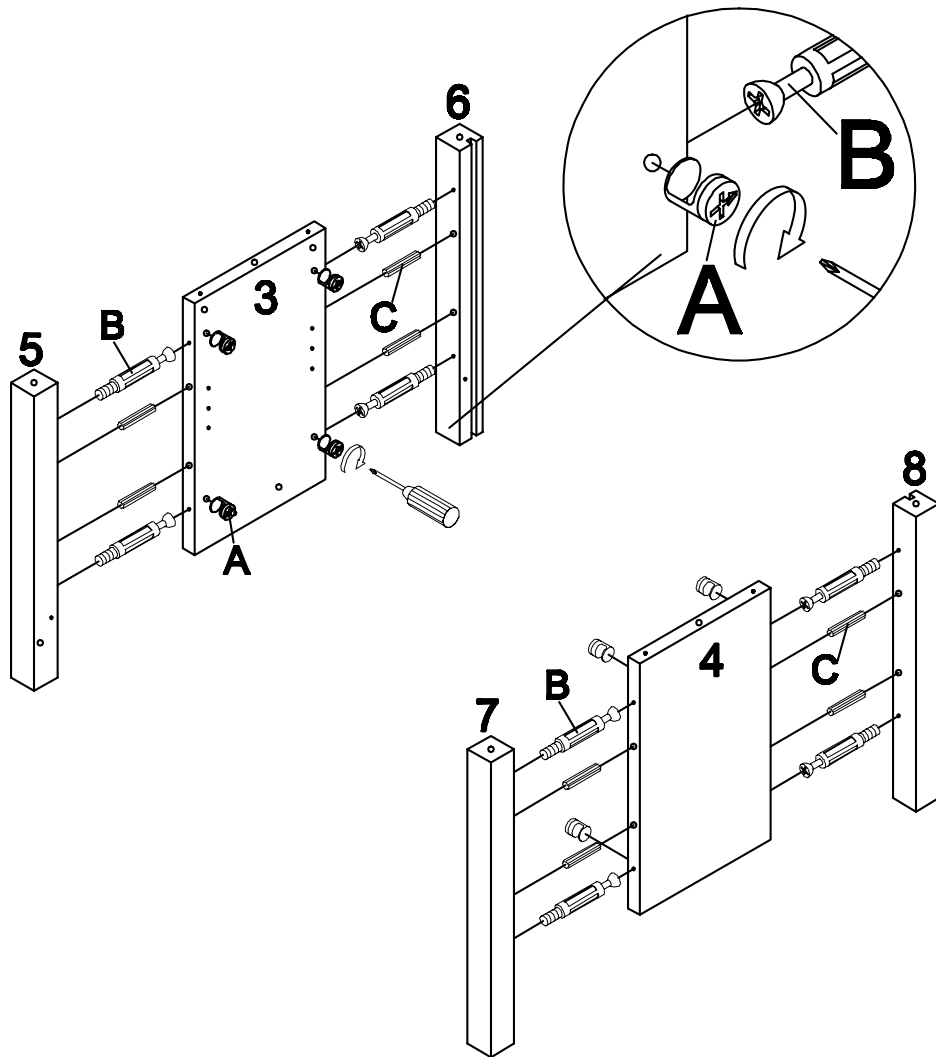
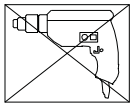
N. Handle		2 pcs
P. Screw		4 pcs
Q. Plastic Pivot		4 pcs
R. Plastic Wedges		6 pcs
S. Screw (3x14mm)		6 pcs
V. Screw (8x50mm)		2 pcs
Sticker		14 pcs

* The hardware quantities listed are required for proper assembly.
Some extra hardware may have also been included.



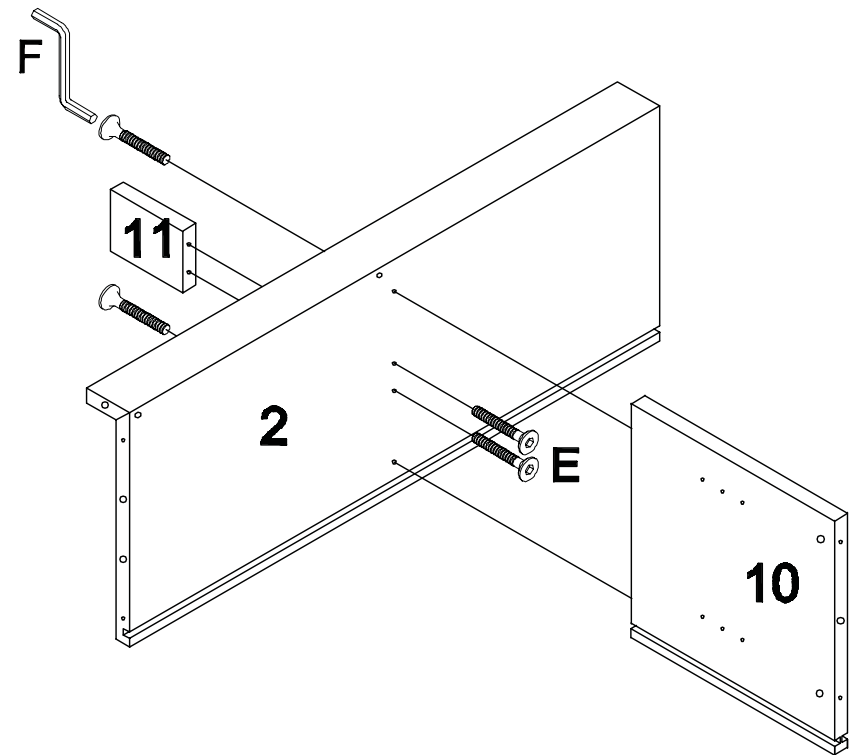
**Philips head screwdriver required for assembly
(not included)**

Step 1



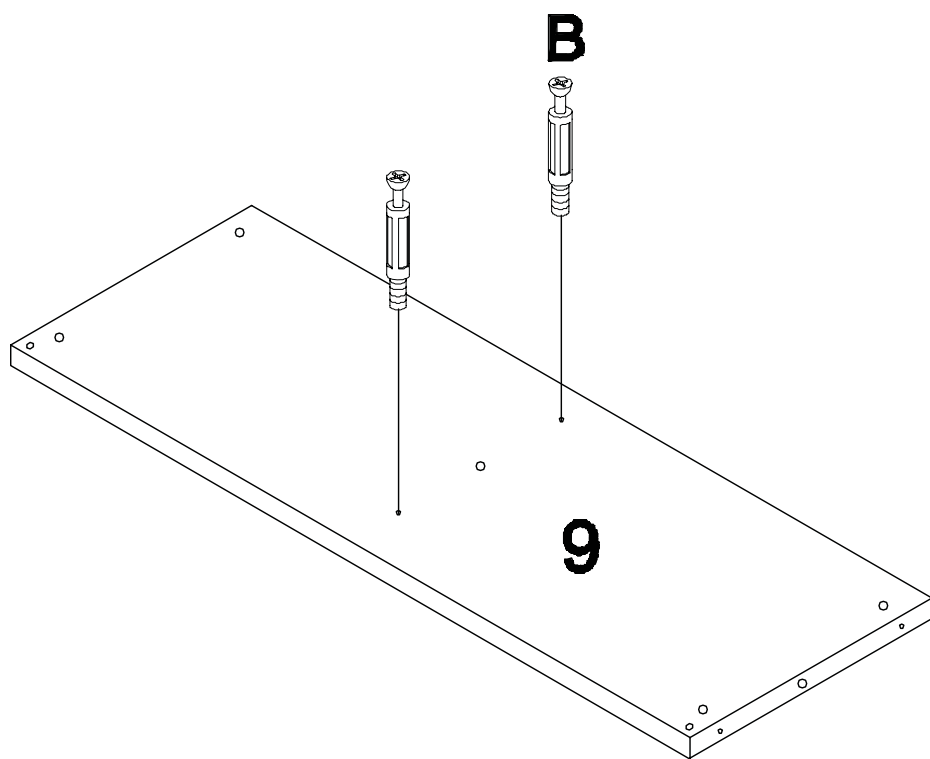
Insert dowels (C) and cam bolts (B) into side panels (3 & 4).
(Apply glue (D) to dowels as directed in the "General Assembly Guidelines")
Attach the legs (5,6,7,8) to the side panels (3 & 4) as shown in the diagram.
Tighten cam locks (A) using a screwdriver as shown. Set aside for later use.

Step 2



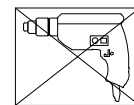
Attach support leg (11) to the stand base (2) with screws (E) using hex wrench (F). Attach divider panel (10) to the stand base with screws (E) using hex wrench (F).

Step 3

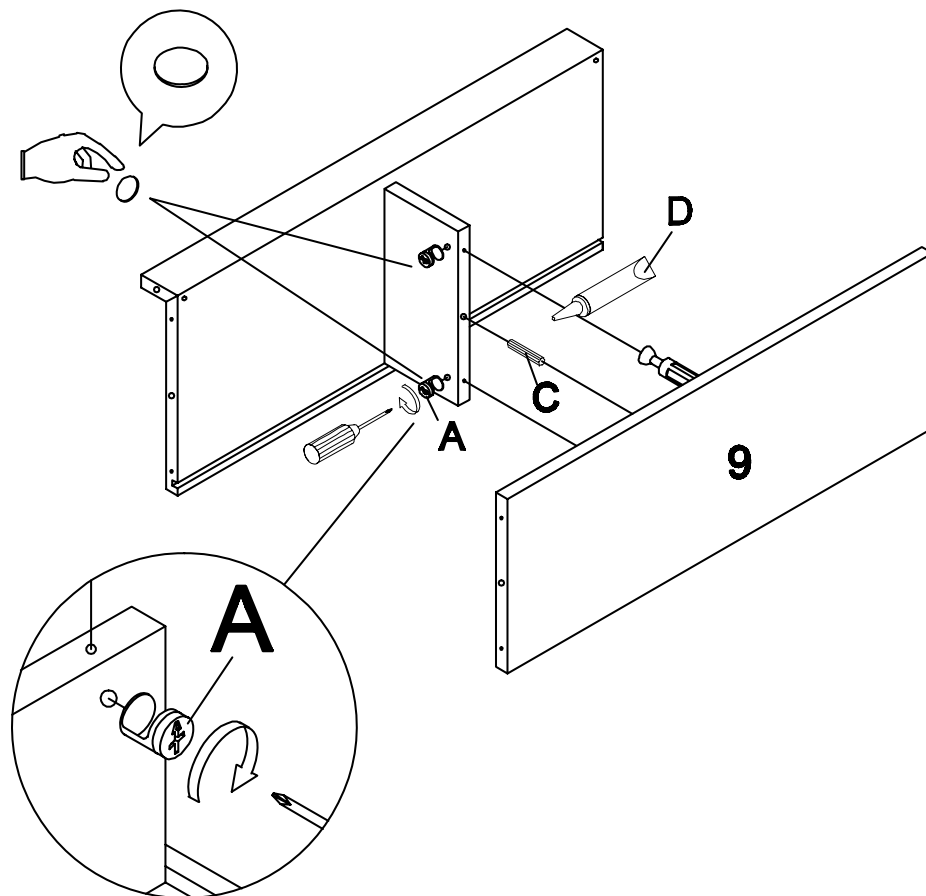


Attach cam bolts (B) to the middle shelf (9) as shown in the diagram.
Cover cam locks (A) using the provided stickers as shown in the diagram.

Step 4



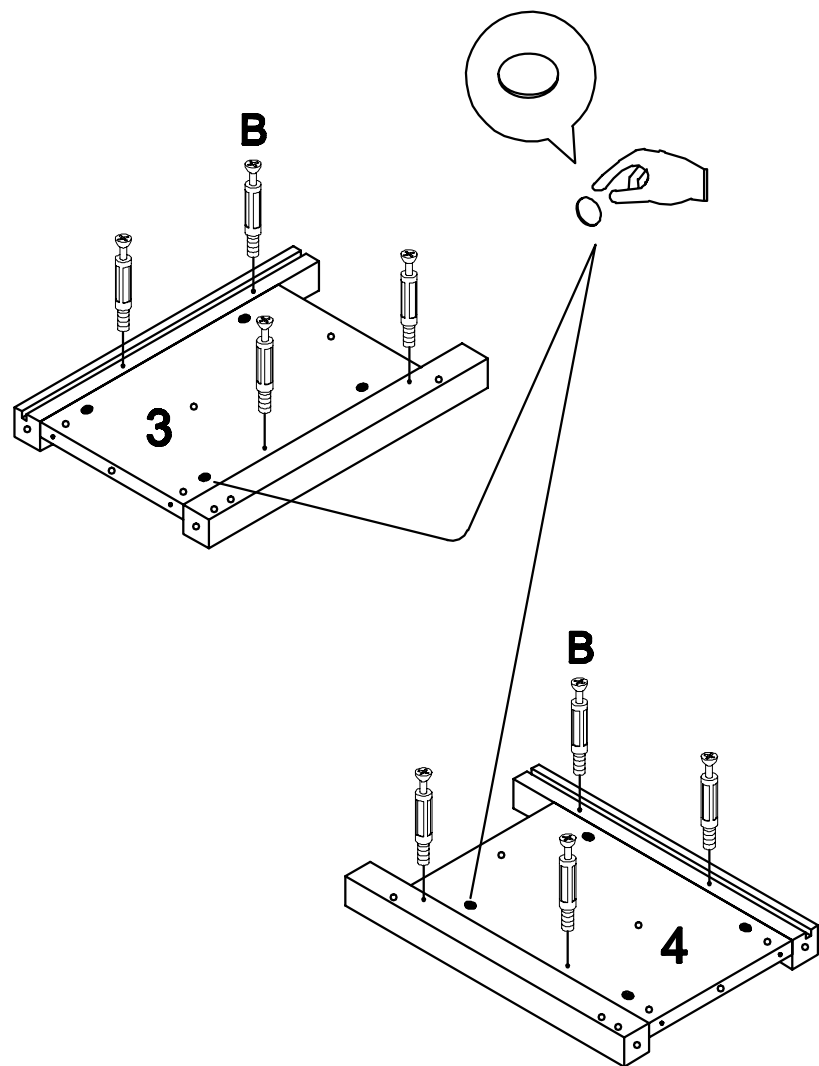
STICKER X 2



Insert dowels (C) into the left side panel (3). *(Remember to apply glue (D))*
Insert cam locks (A) into frame assembly. Attach middle shelf (9) to frame assembly. Tighten cam locks (A) with a screwdrivers as shown in the diagram.

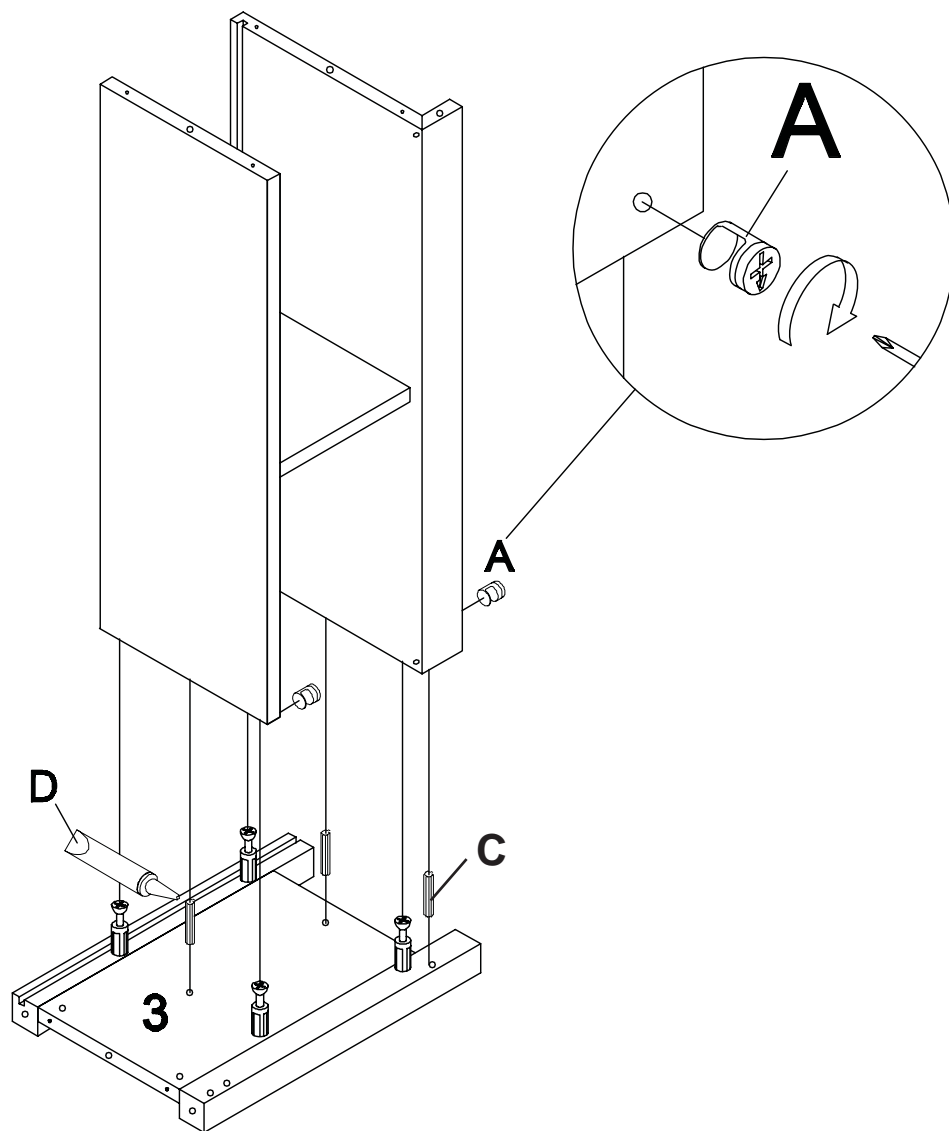
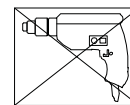
Step 5

STICKER X 8



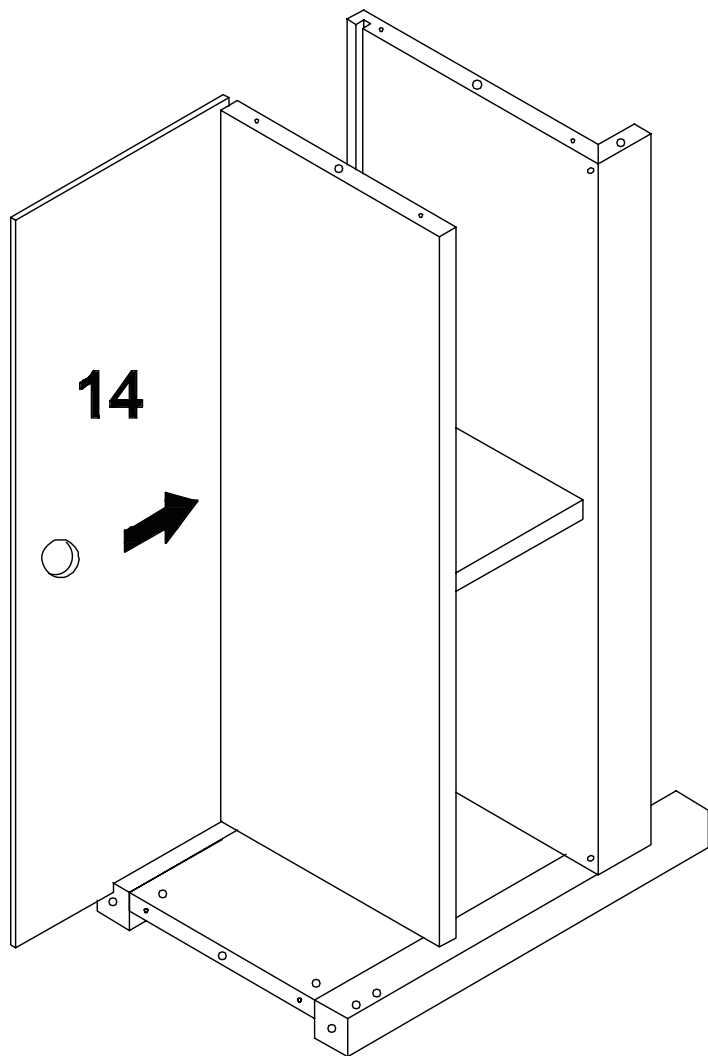
Attach cam bolts (B) to side panel assemblies (3 & 4).
Cover cam locks (A) using the provided stickers as shown in the diagram.

Step 6



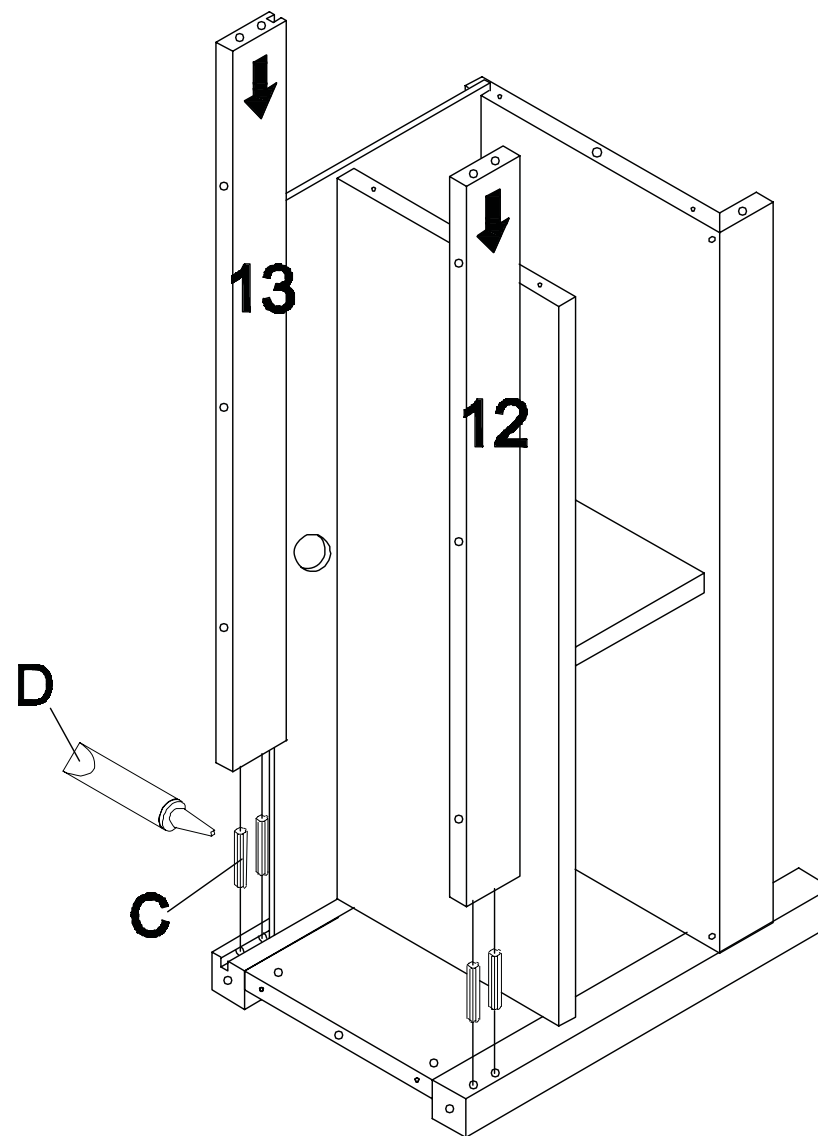
Insert dowels (C) into the left side panel (3). (*Remember to apply glue (D)*)
Insert cam locks (A) into frame assembly. Attach left side panel (3) to frame
assembly. Tighten cam locks (A) with a screwdrivers as shown in the diagram.

Step 7



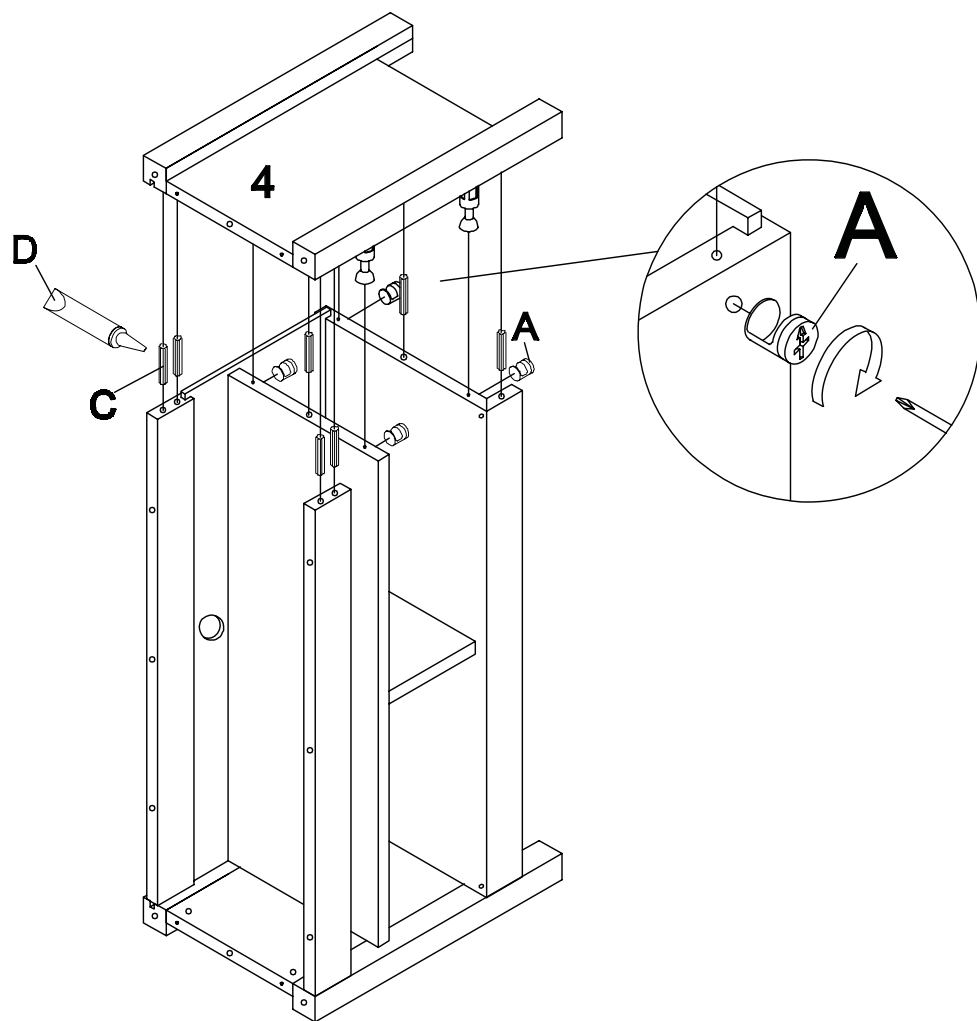
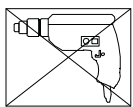
Slide back panel (14) into the grooves as shown in the diagram.
Be sure that the side with the warning label is facing outward.

Step 8



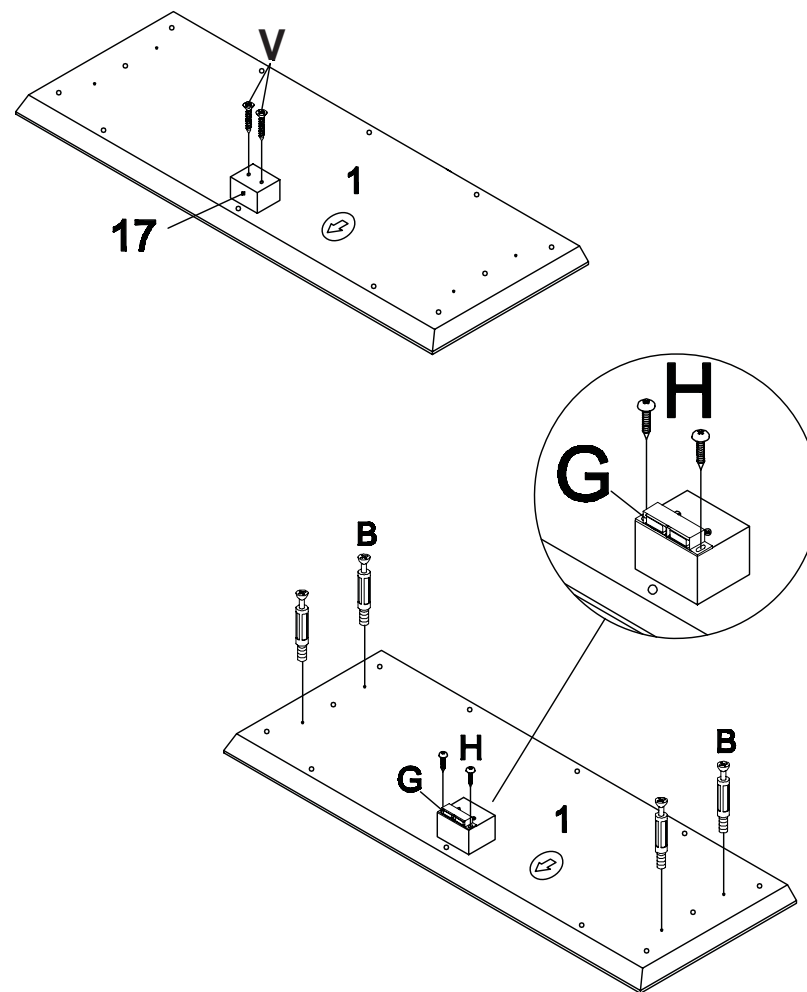
Insert dowels (C) into frame assembly. *(Remember to apply glue (D))*
Attach supports (12,13) to the frame assembly as shown in the diagram.

Step 9



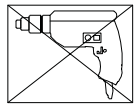
Insert dowels (C) into frame assembly (remember to apply glue (D)).
Insert cam locks (A) into frame assembly.
Attach right side assembly (4) to the frame assembly.
Tighten cam locks (A) using a screwdriver as shown in the diagram.

Step 10

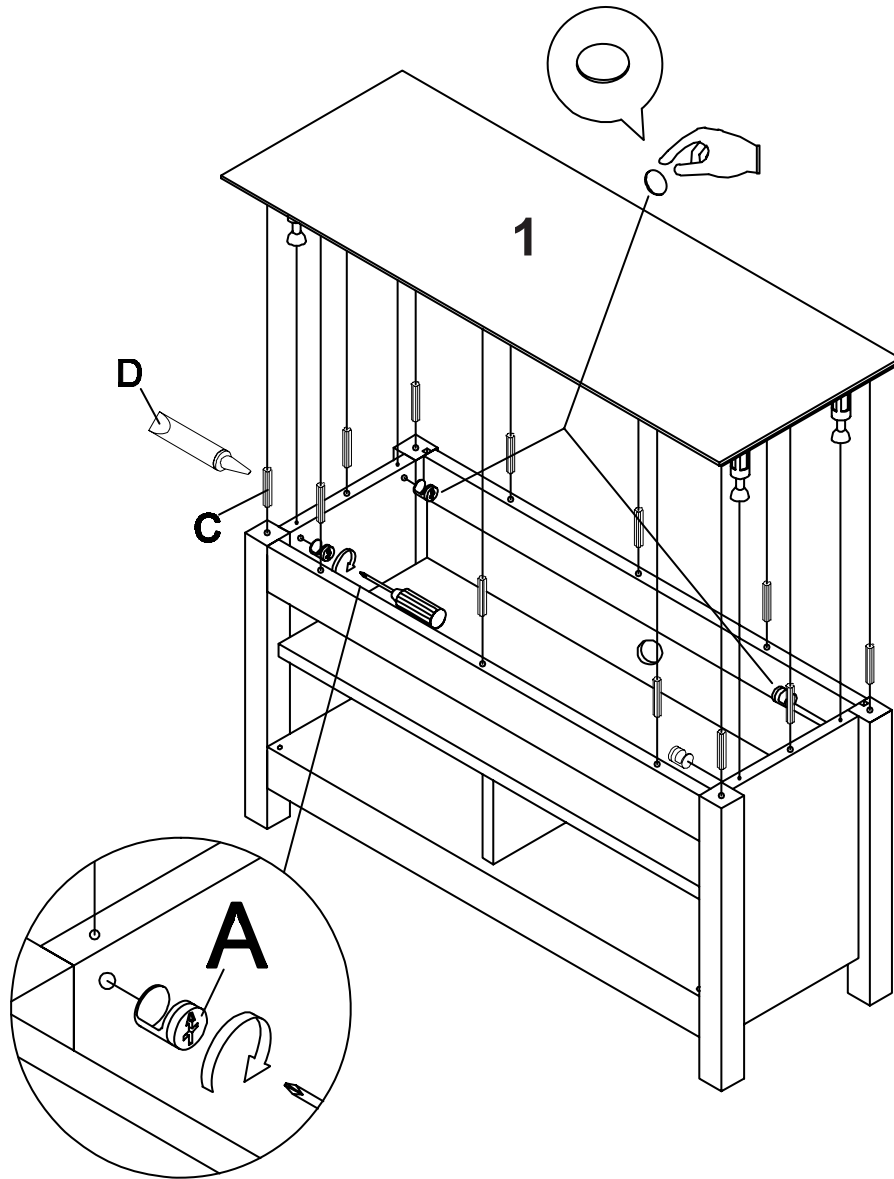


Attach block (17) to the stand top (1) using screws (V). Screw cam bolts (B) into stand top (1), then attach door stop (G) using screws (H) as shown in the diagram. *Be sure to tighten firmly.*

Step 11

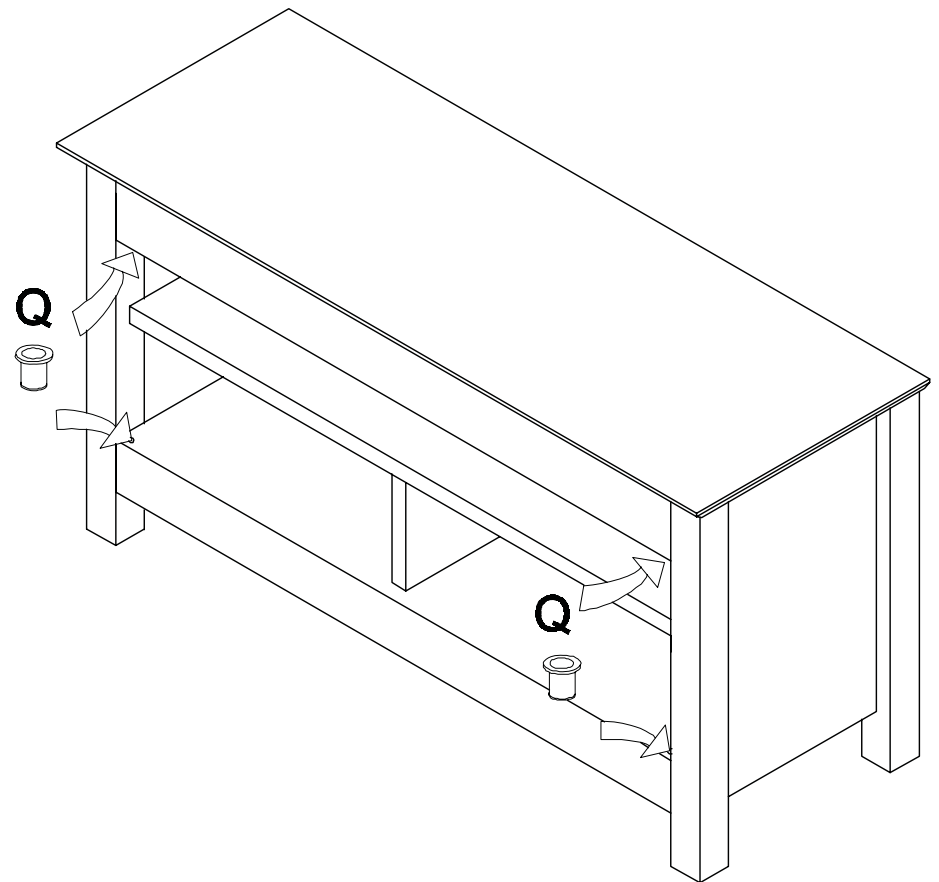


STICKER X 4



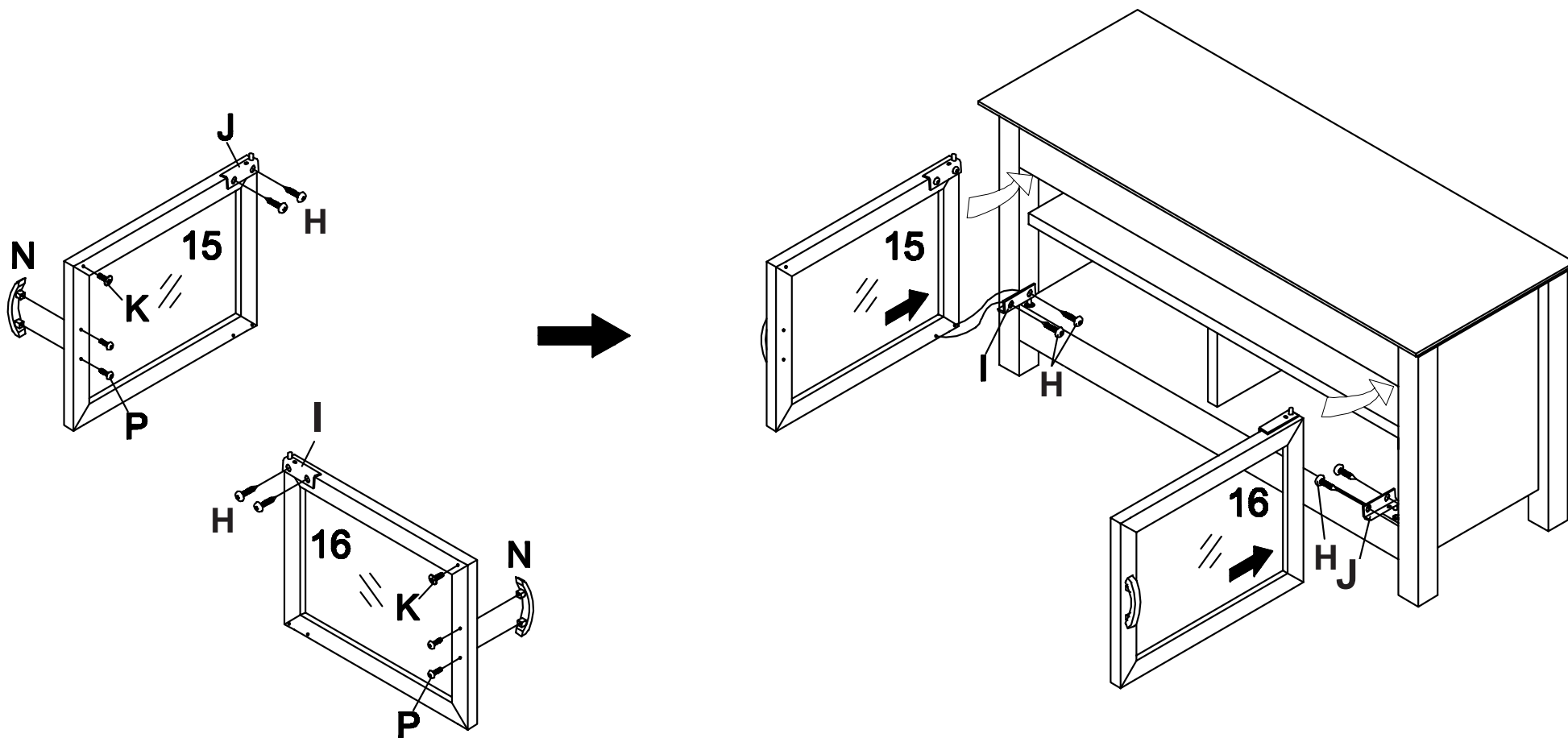
Insert dowels (C) into frame assembly. (Remember to apply glue (D))
Insert cam locks (A) into frame assembly. Attach stand top (1) to the frame assembly. Tighten cam locks (A) using a screwdriver as shown in the diagram.
Place provided stickers over cam locks (A).

Step 12



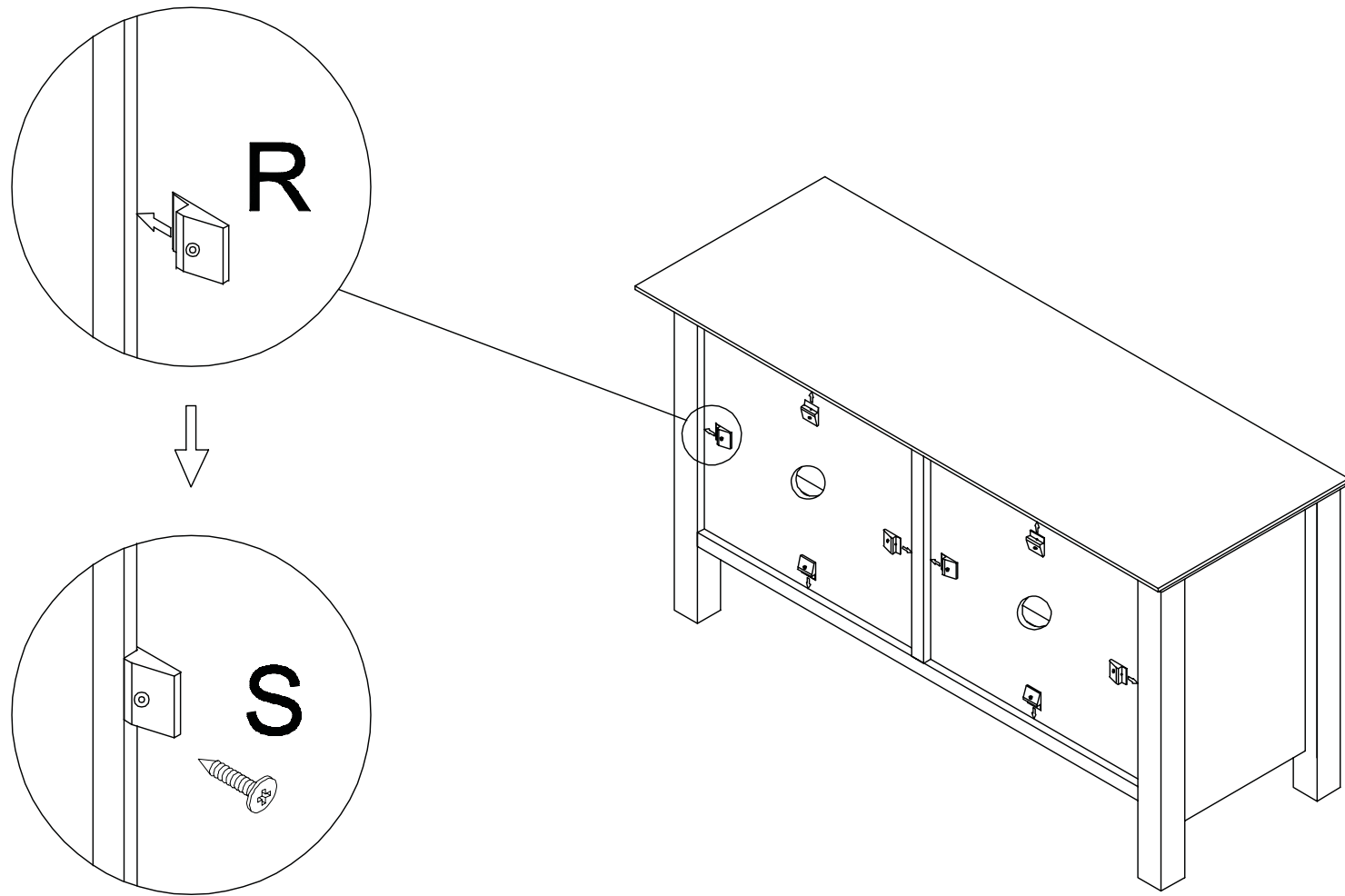
Insert the plastic pivots (Q) into the stand as shown in the diagram.

Step 13



Attach door handles (N) to the stand doors (15,16) using screws (P). Attach screws (K) to the corners of each door as shown in the diagram. Attach hinge (J) to door (15) as shown in the diagram. Attach hinge (I) to door (16) as shown in the diagram. Insert lower door hinges (I,J) into the lower pivot points. Attach doors (15,16) to the stand at the upper pivot points as shown in the diagram. Attach doors to lower door hinges (I,J) using screws (H).

Step 14



Insert plastic wedges (R) between the stand frame and the back panel as shown in the diagram. Fasten plastic wedges to the back panel using screws (S).

Free Manuals Download Website

<http://myh66.com>

<http://usermanuals.us>

<http://www.somanuals.com>

<http://www.4manuals.cc>

<http://www.manual-lib.com>

<http://www.404manual.com>

<http://www.luxmanual.com>

<http://aubethermostatmanual.com>

Golf course search by state

<http://golfingnear.com>

Email search by domain

<http://emailbydomain.com>

Auto manuals search

<http://auto.somanuals.com>

TV manuals search

<http://tv.somanuals.com>