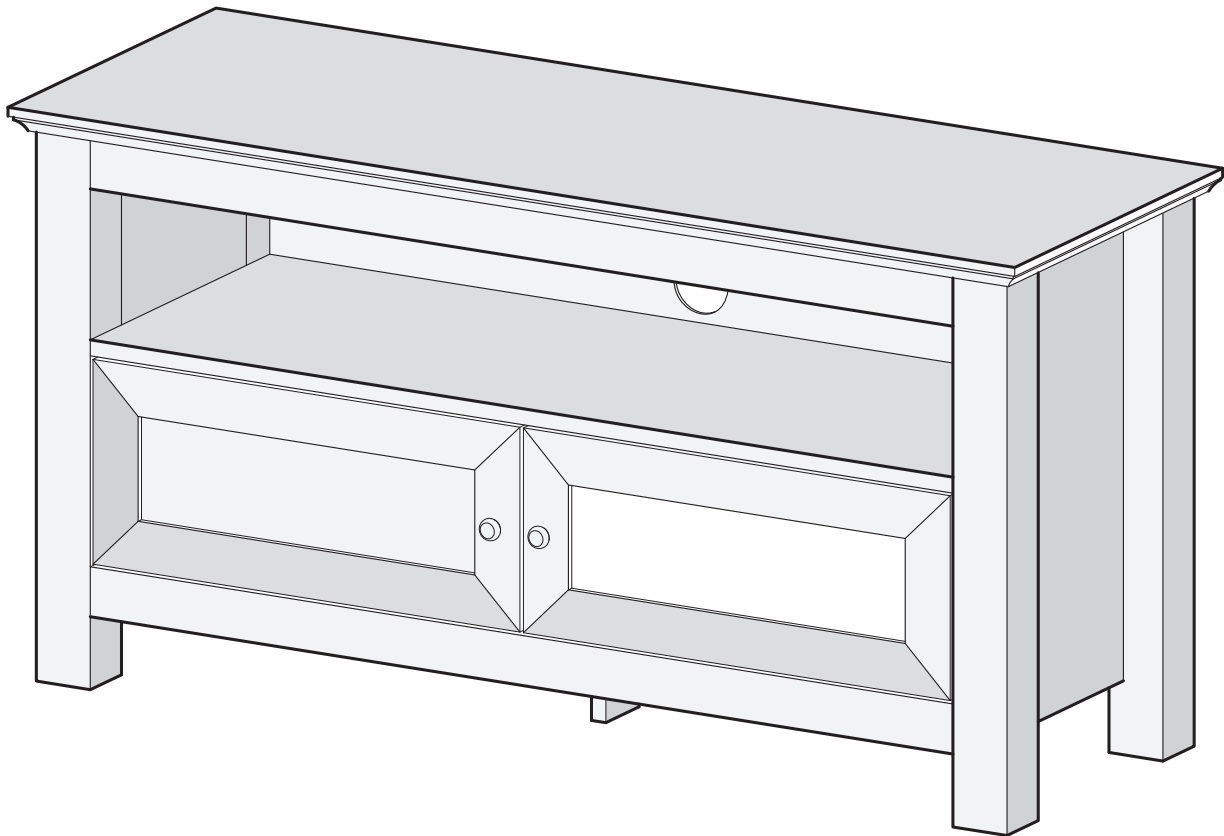


**W** Walker  
**E** Edison  
furniture company

Item #: W44CS  
Assembly Instructions

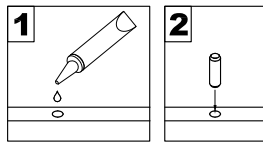


*For our most current instructions, to request missing, lost or broken parts, or for any other Customer Service issues, please visit our website at [www.walkeredison.com](http://www.walkeredison.com) or call us at 877-207-5906.*

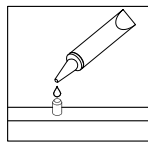
Revised 02/2011

# General Assembly Guidelines

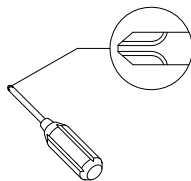
- I. Ensure that all parts and hardware are available before beginning assembly.
- II. Follow each step carefully to ensure the proper assembly of this product.
- III. Two people are recommended for ease in the assembly of this product.
- IV. The main types of hardware used to assemble this product are: wood dowels, cam bolts and locks, bolts and screws.
- V. The provided glue is to secure wood dowels in place. When first inserting dowels, locate the appropriate hole for the dowel, place a small amount of glue in the hole and insert the dowel. Wipe away excess glue immediately.



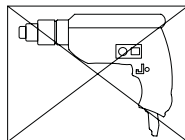
In future assembly steps when dowels are necessary to attach assembly parts together, place a small amount of glue on the end of the dowel before attaching parts together. Wipe away excess glue immediately.



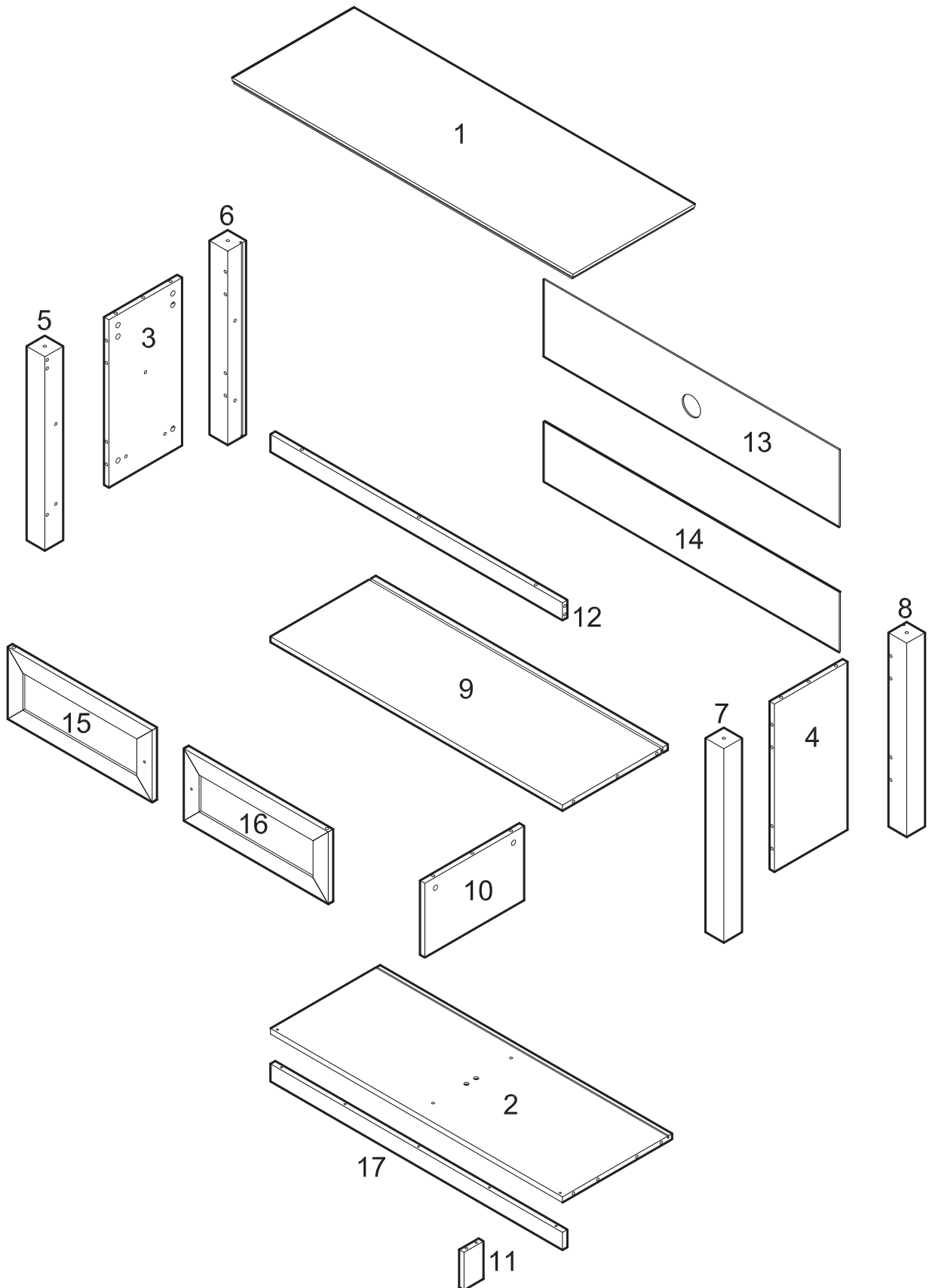
- VI. A Phillips head screwdriver is required for the assembly of this product.




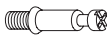









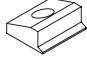


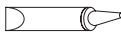

- VII. Power tools should not be used to assemble this product.



# Parts List

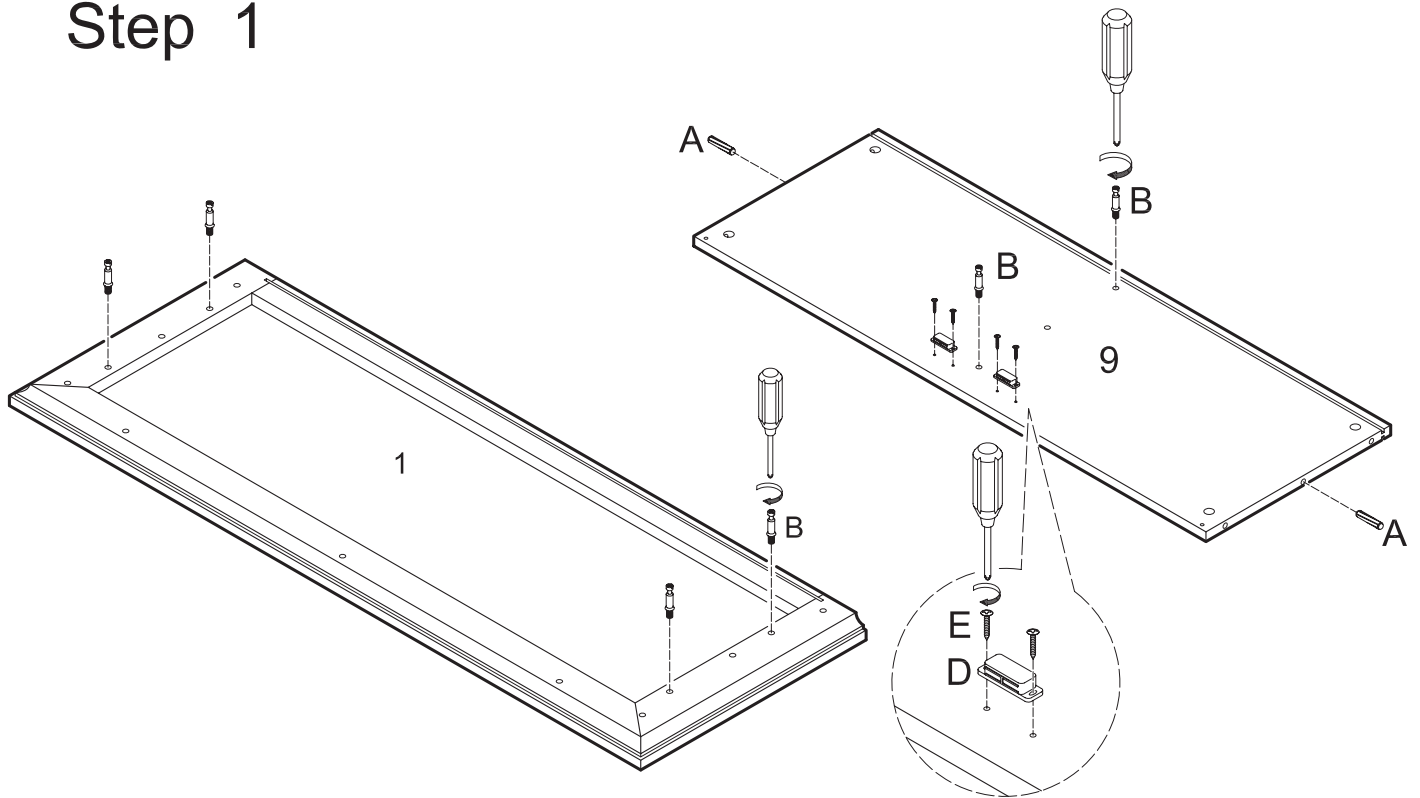


# Hardware List

A		Ø8x30	Wood dowel	28 pcs
B		Ø6x35	Cam bolt	27 pcs
C		Ø15x12	Cam lock	27 pcs
D			Door stopper	2 pcs
E		Ø3x15	Small screw	4 pcs
F		Ø6x50	Long bolt	4 pcs
G		Ø5x8D13	Short bolt	2 pcs
H		Ø24x21	Handle	2 pcs
I		Ø4x19	Medium bolt	2 pcs
J		Ø8x12x24	Fixed door hinge	2 pcs
K		Ø8x12x24	Spring door hinge	2 pcs
N		Ø8.5x12x9	Plastic pivot	2 pcs
P			Plastic wedge	8 pcs
Q		Ø3x17	Large screw	8 pcs
R		Ø4	Wrench	1 pc
S			Glue tube	3 pcs
T		Ø25	Sticker	24 pcs

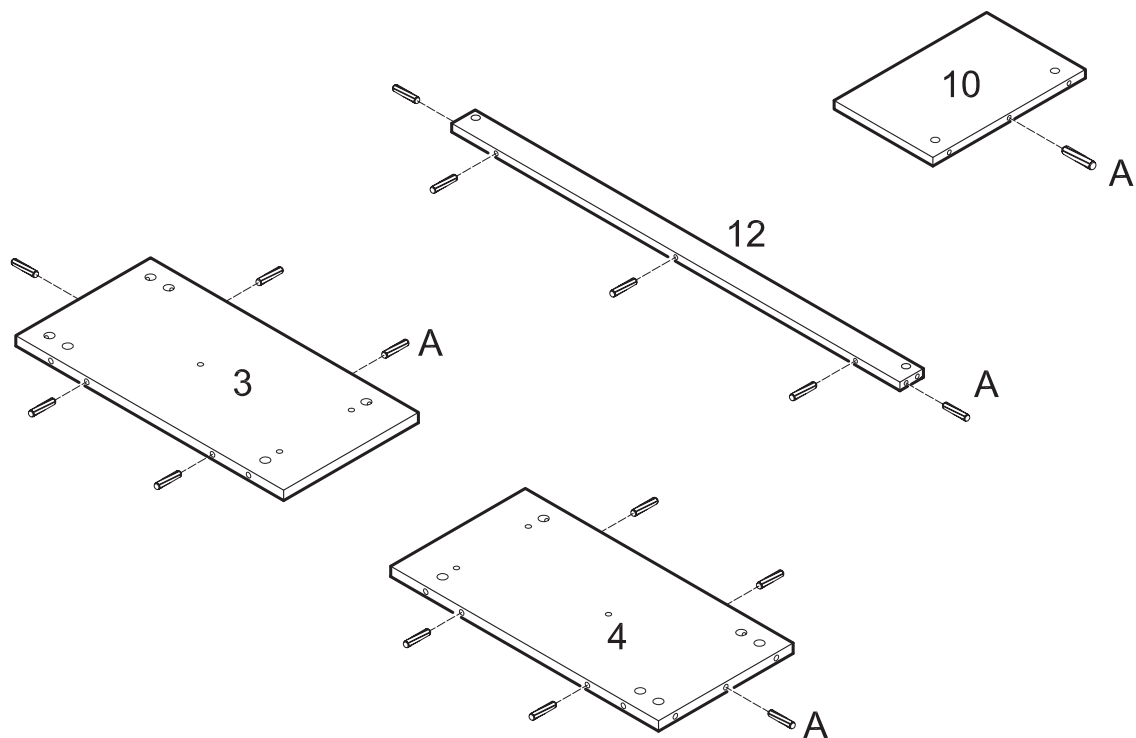
*The hardware quantities listed above are required for proper assembly.  
Some extra hardware may also have been included.*

# Step 1



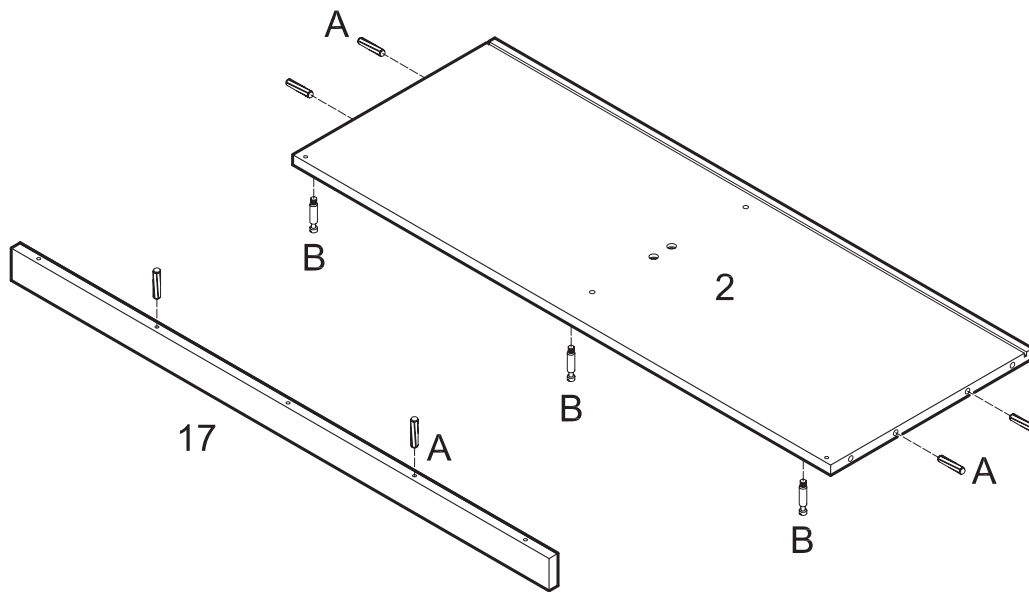
Screw cam bolts (B) into top panel (1) and shelf (9). Insert dowels (A) into shelf (9). Attach door stoppers (D) to shelf (9) using small screws (E).

# Step 2



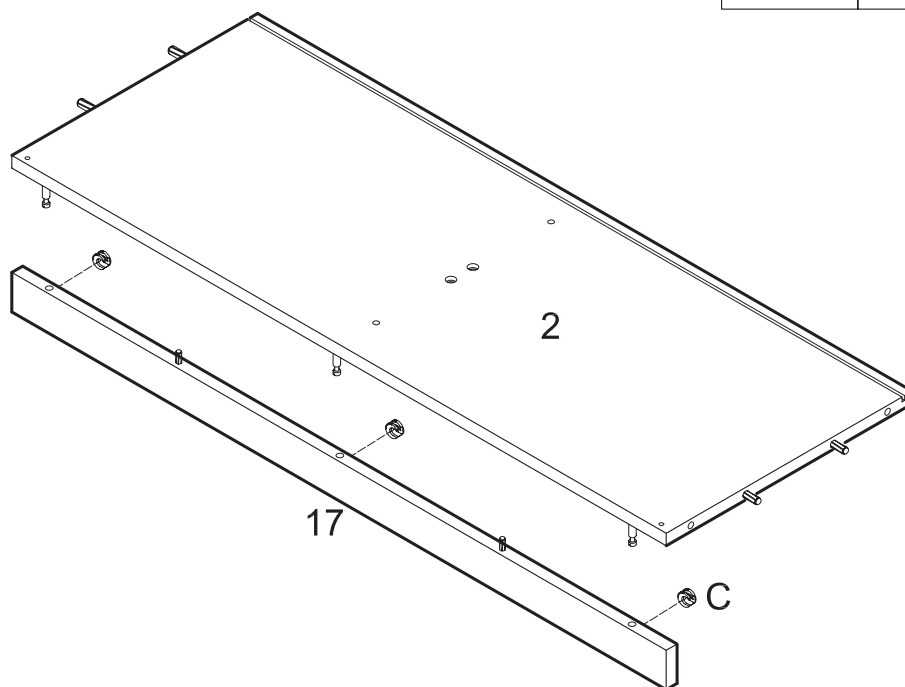
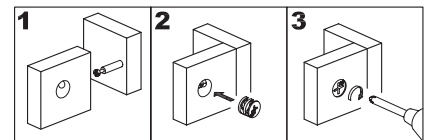
Insert dowels (A) into panels (3,4,10) and slat (12).

## Step 3



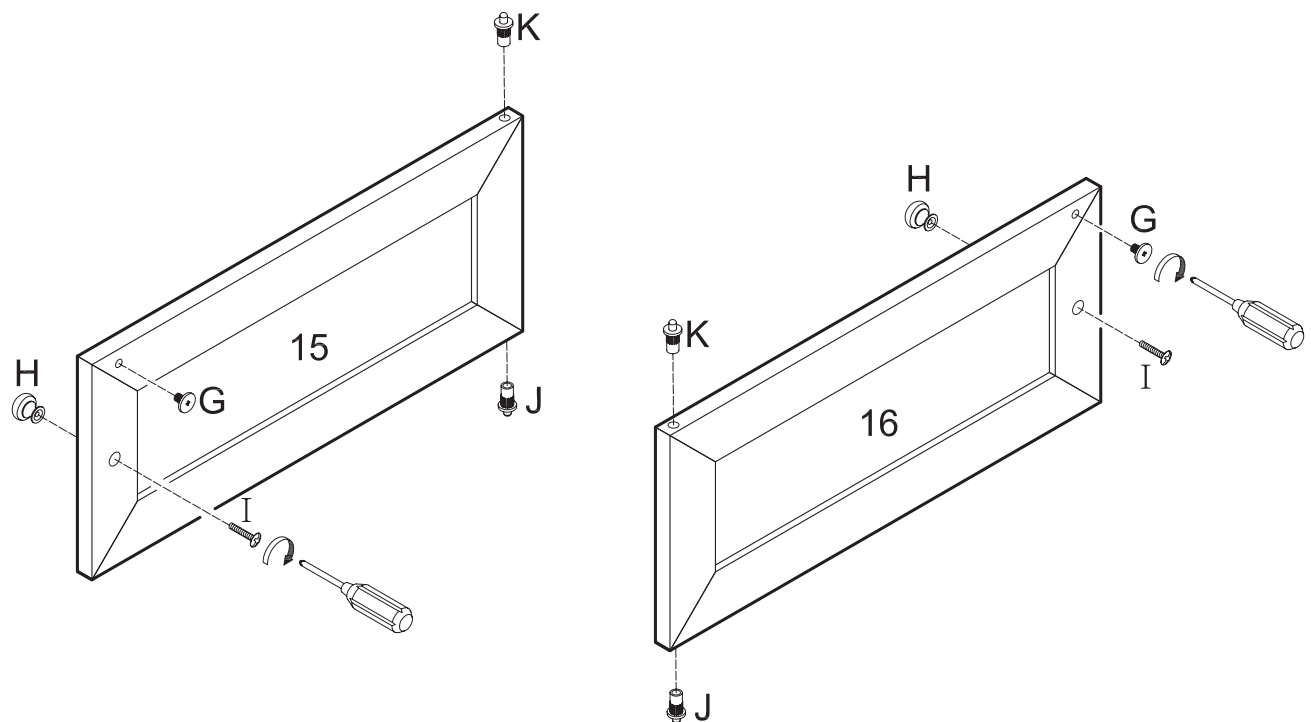
Screw cam bolts (B) into panel (2). Insert dowels (A) into panel (2) and slat (17).

## Step 4



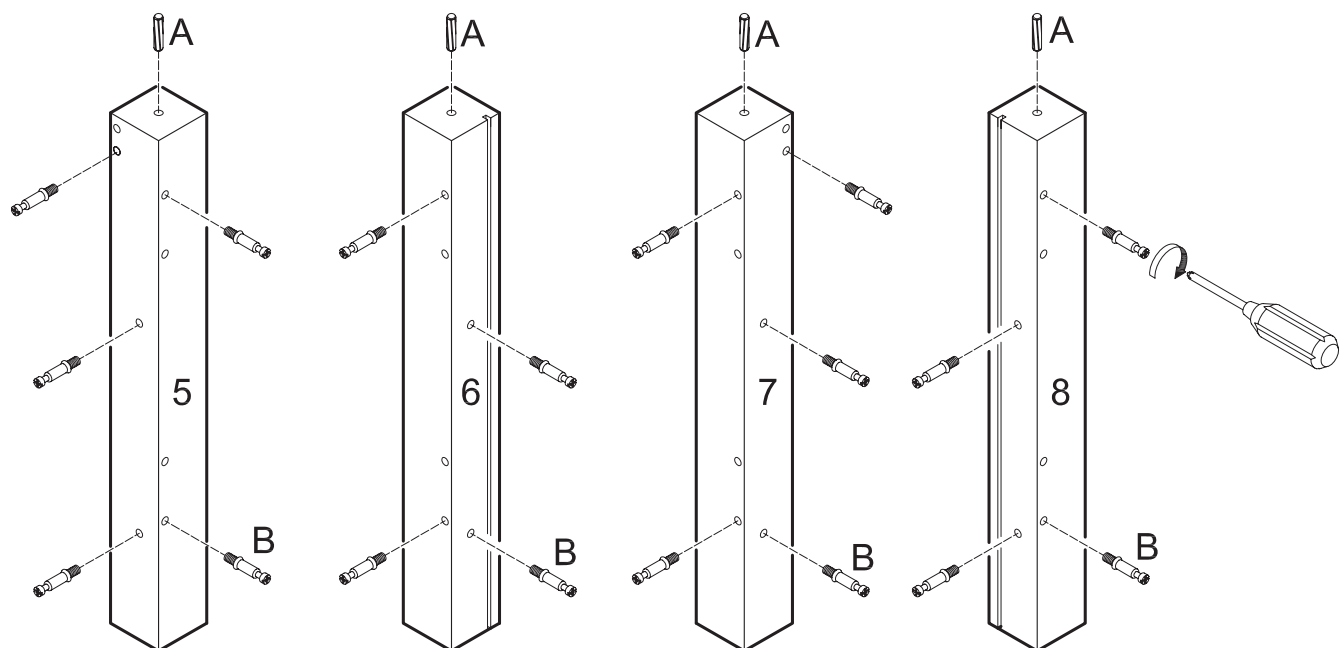
Attach slat (17) to panel (2) using cam bolts and dowels as guides. Insert cam locks (C) into slat (17) and tighten with a screwdriver.

## Step 5



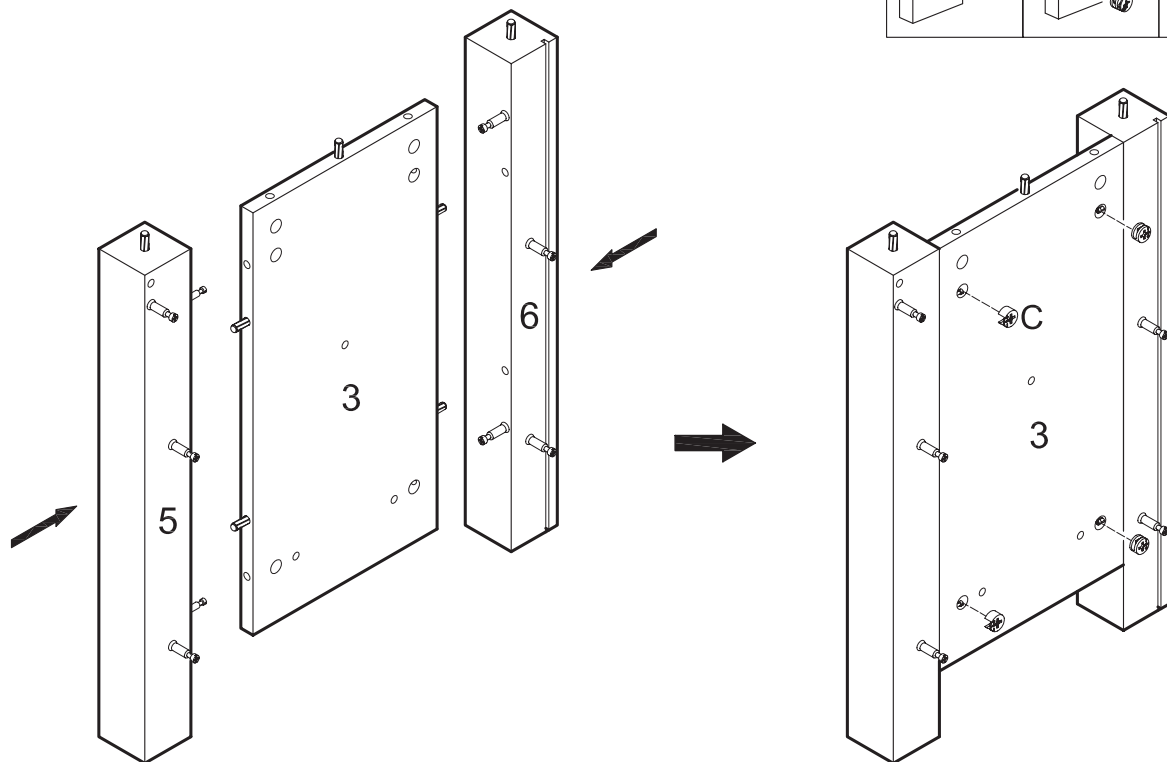
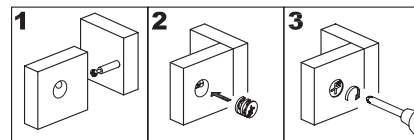
Attach handles (H) to doors (15,16) using medium bolts (I). Screw short bolts (G) into doors (15,16). Insert fixed door hinges (J) and spring door hinges (K) into doors (15,16).

## Step 6



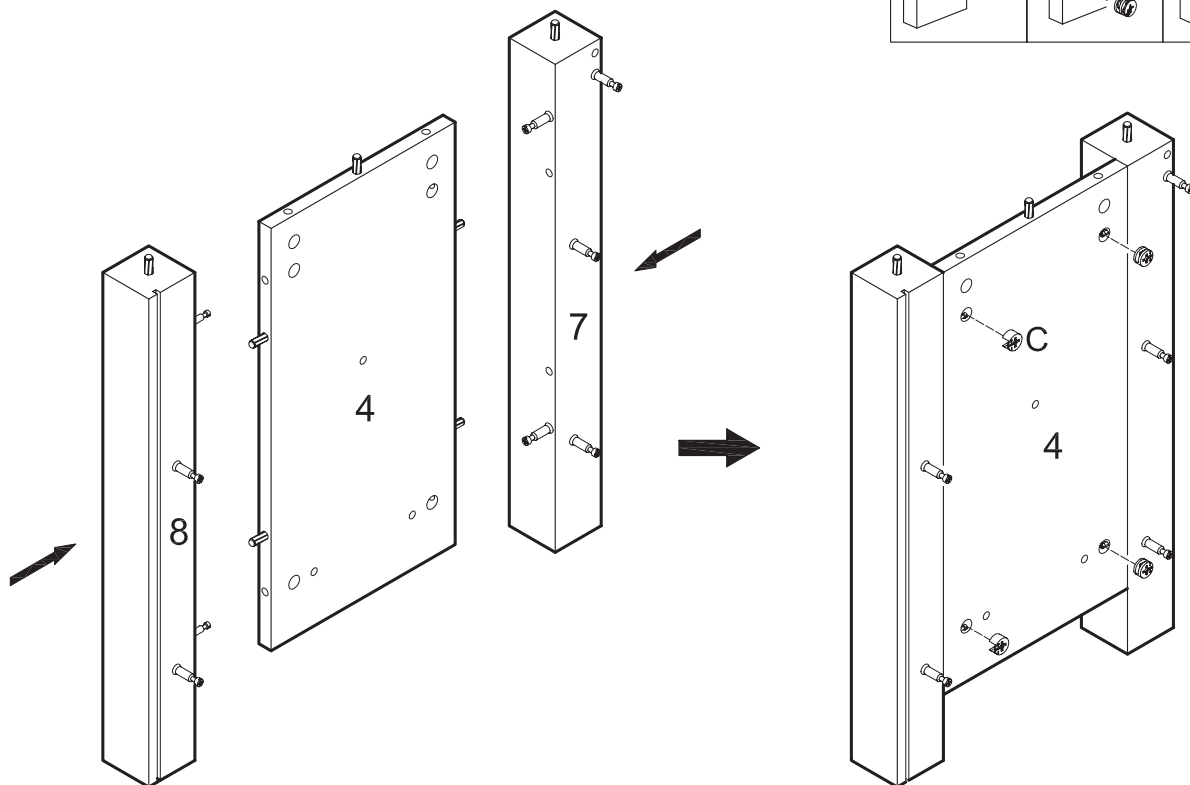
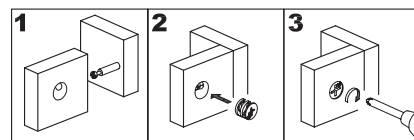
Screw cam bolts (B) into legs (5,6,7,8). Insert dowels (A) into legs (5,6,7,8).

# Step 7



Attach legs (5,6) to panel (3) using cam bolts and dowels as guides. Insert cam locks (C) into panel (3) and tighten with a screwdriver.

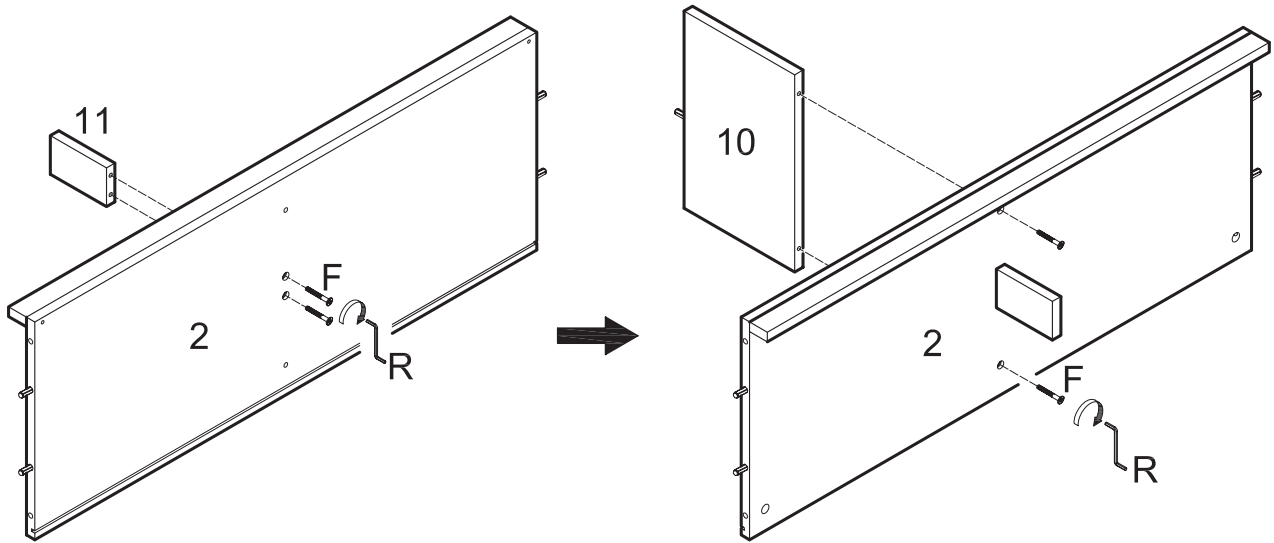
# Step 8



Attach legs (7,8) to panel (4) using cam bolts and dowels as guides. Insert cam locks (C) into panel (4) and tighten with a screwdriver.

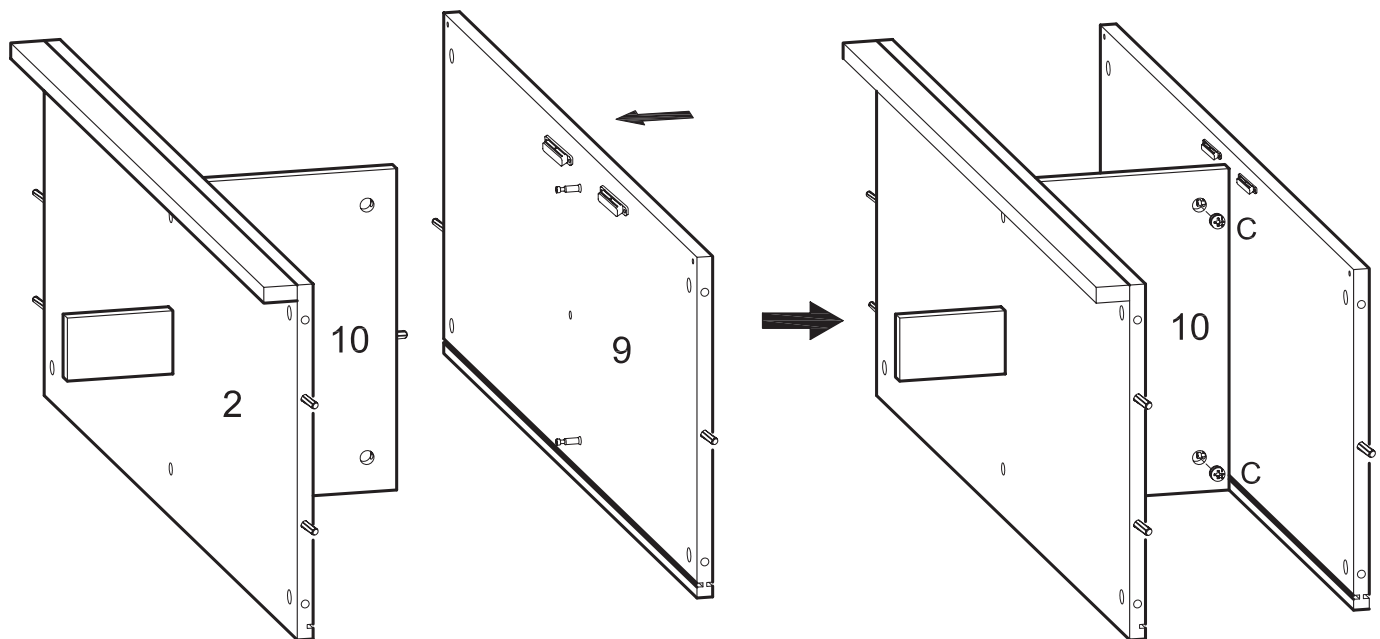
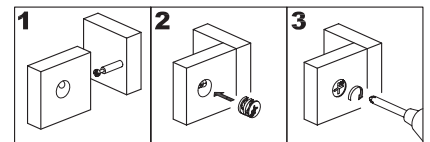


## Step 9



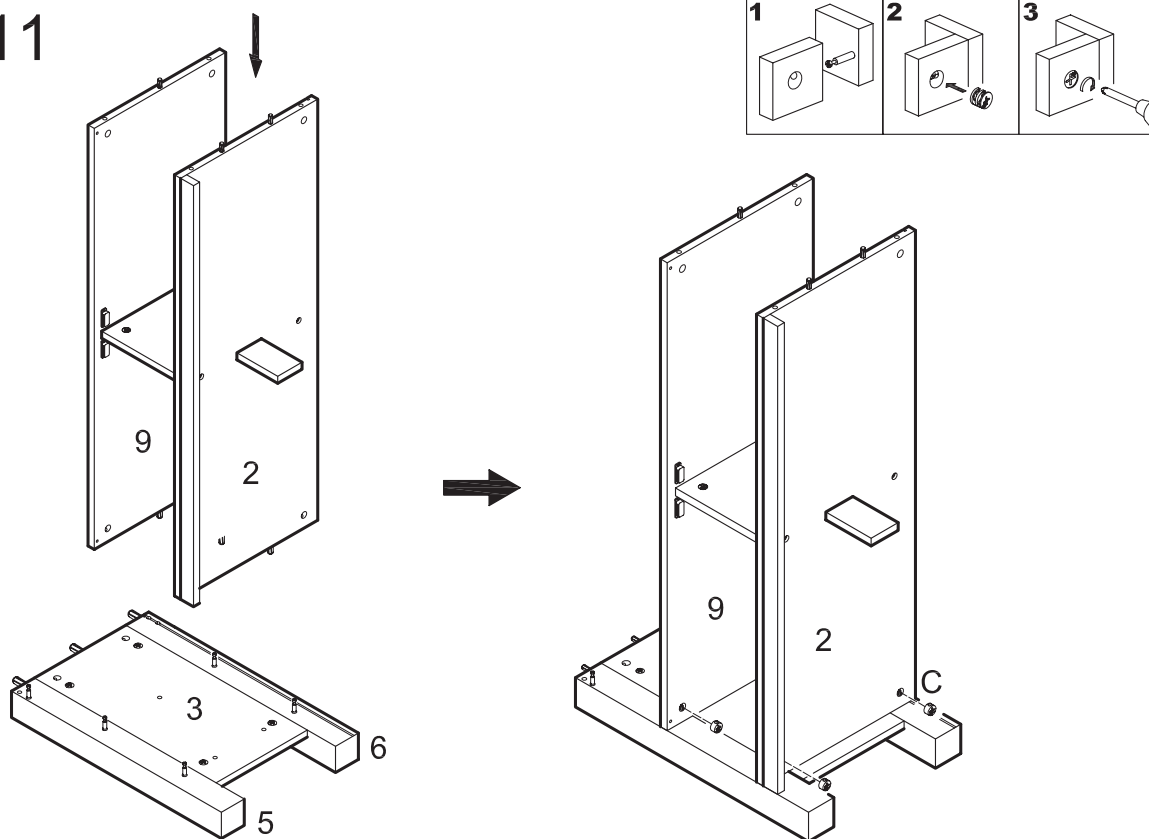
Attach support leg (11) to panel (2) using long bolts (F). Tighten long bolts (F) with wrench (R). Attach panel (10) to panel (2) using long bolts (F). Tighten long bolts (F) with wrench (R).

## Step 10



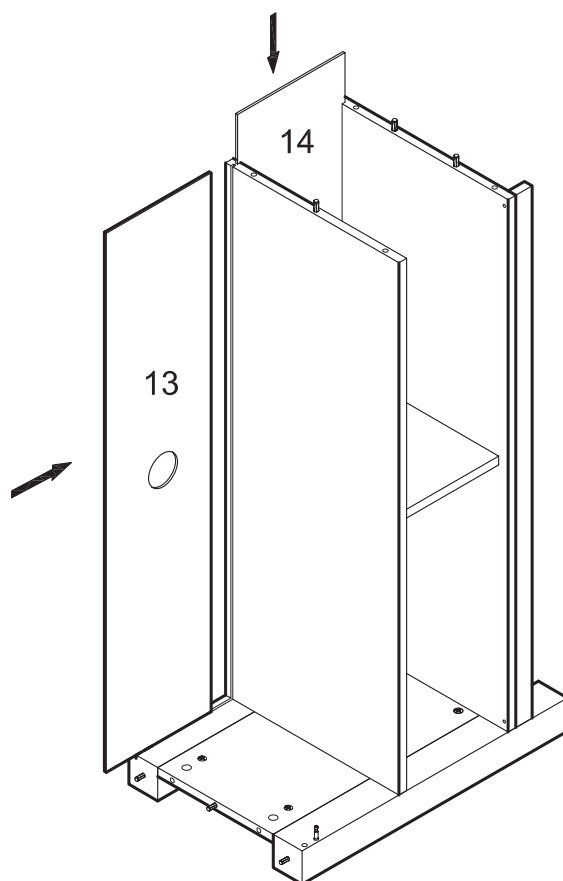
Attach shelf (9) to panel (10) using cam bolts and dowels as guides. Insert cam locks (C) into panel (10) and tighten with a screwdriver.

## Step 11



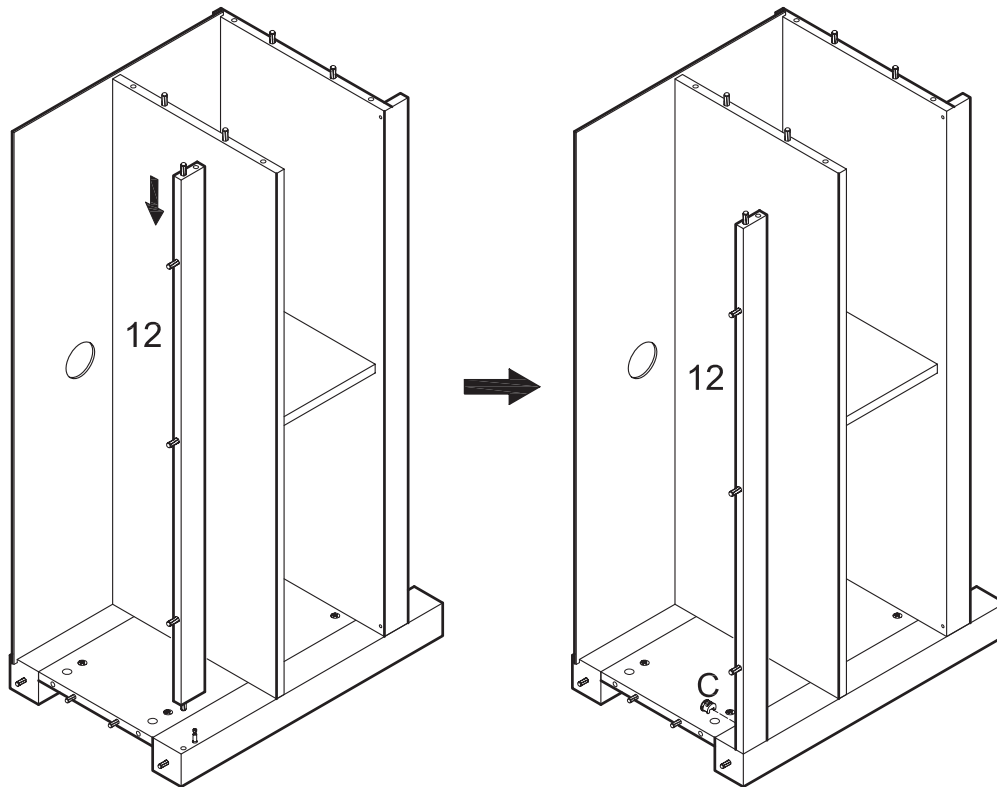
Attach the assembly from the previous step to the panel (3) assembly using cam bolts and dowels as guides. Insert cam locks (C) into panel (2) and shelf (9) and tighten with a screwdriver. *Two cam locks will be inserted into panel (2) and into the shelf (9).*

## Step 12



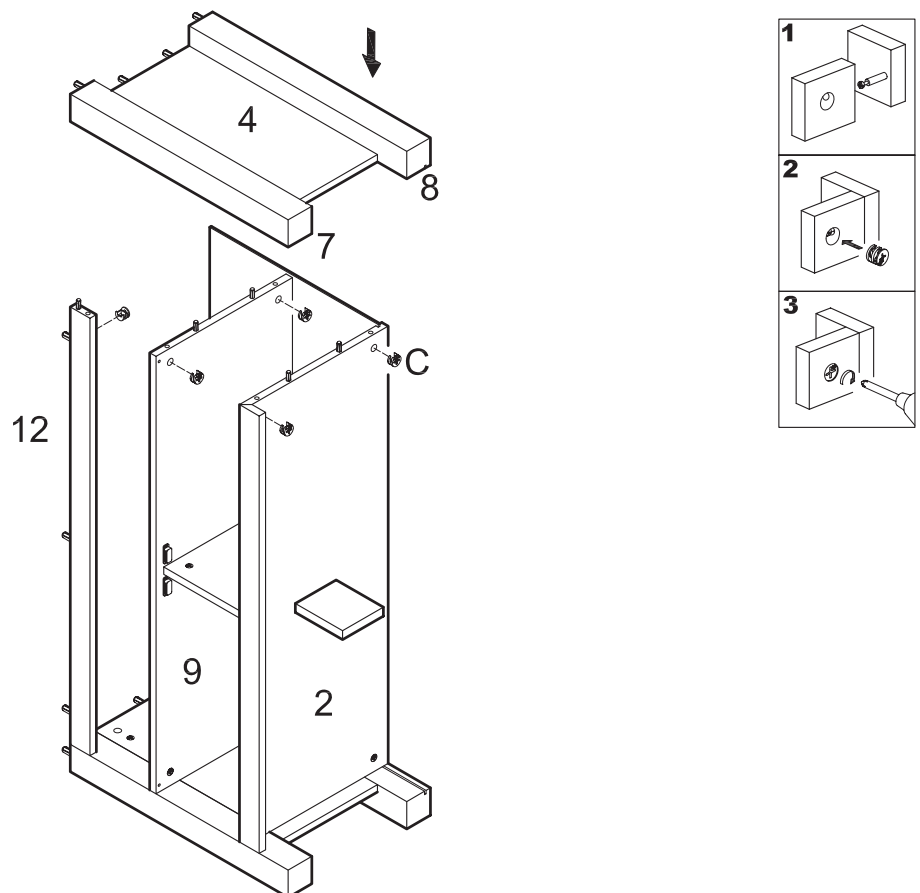
Carefully slide back panels (13,14) into place along the grooves at the back of the frame assembly.

## Step 13



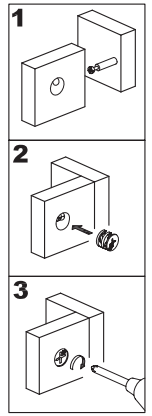
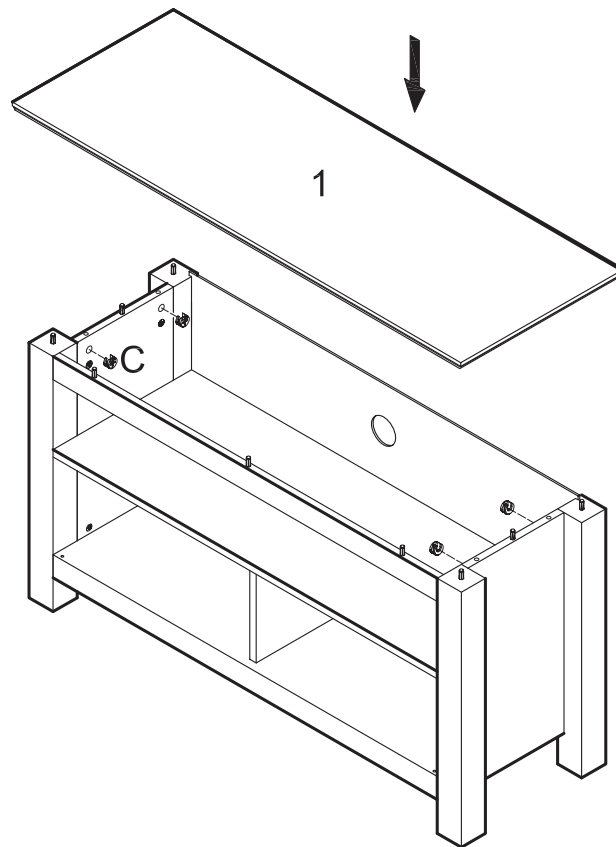
Attach slat (12) to the frame assembly using cam bolt and dowel as guides. Insert cam lock (C) into slat (12) and tighten with a screwdriver.

## Step 14



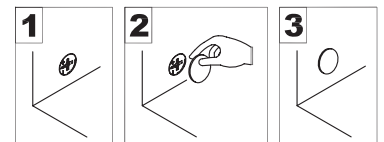
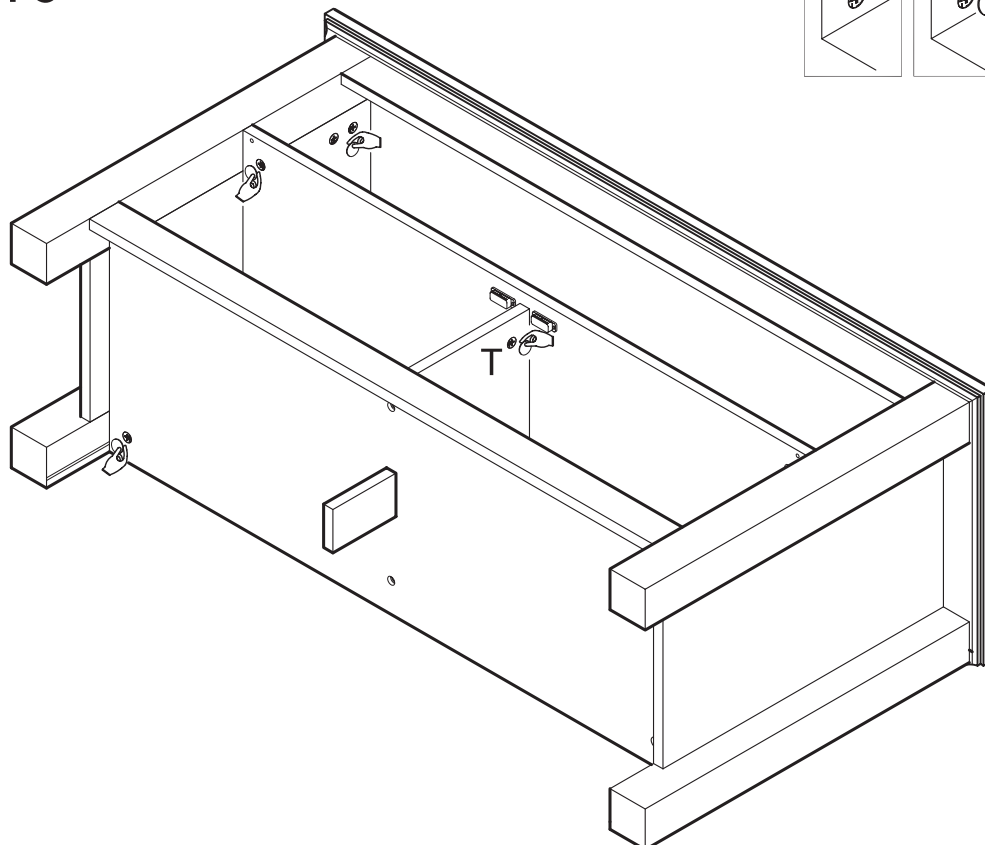
Insert cam locks (C) into panel (2), shelf (9) and slat (12). Attach the panel (4) assembly to panel (2), shelf (9) and slat (12) using cam bolts and dowels as guides. Tighten cam locks (C) with a screwdriver.

## Step 15



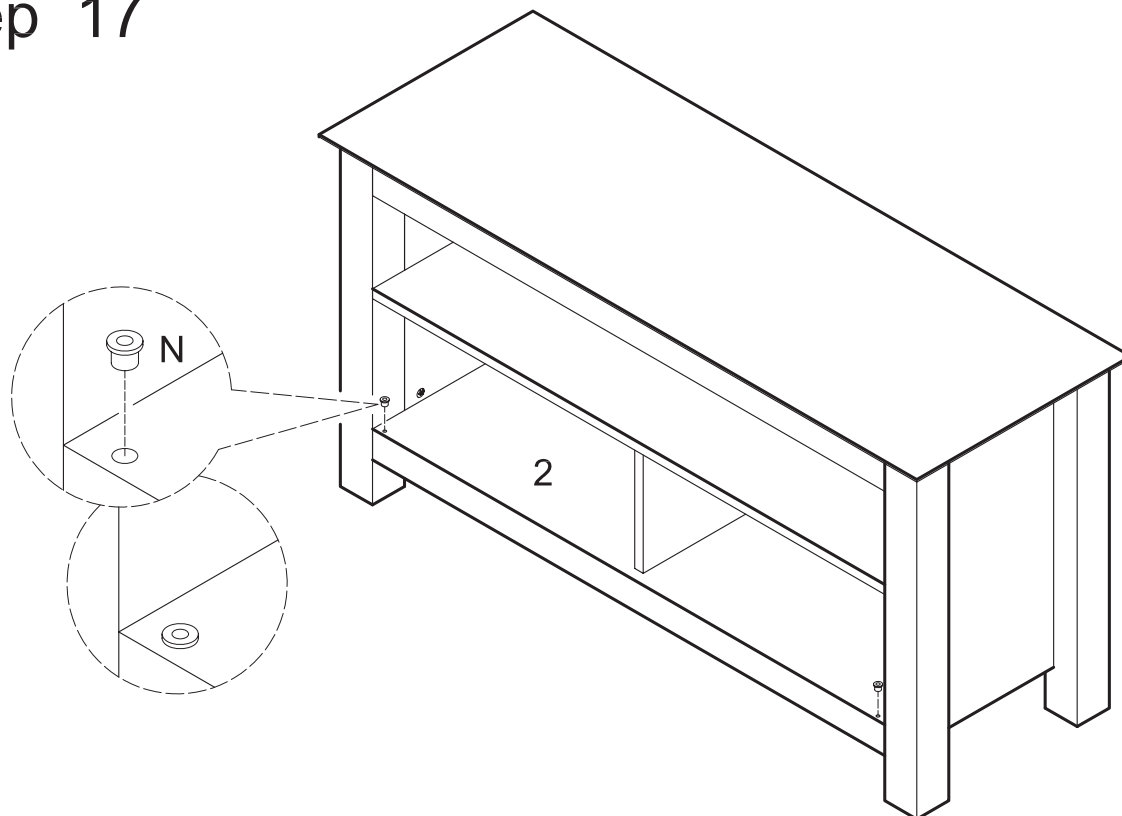
Insert cam locks (C) into the frame assembly. Attach top panel (1) to the frame assembly using cam bolts and dowels as guides. Tighten cam locks (C) with a screwdriver.

## Step 16



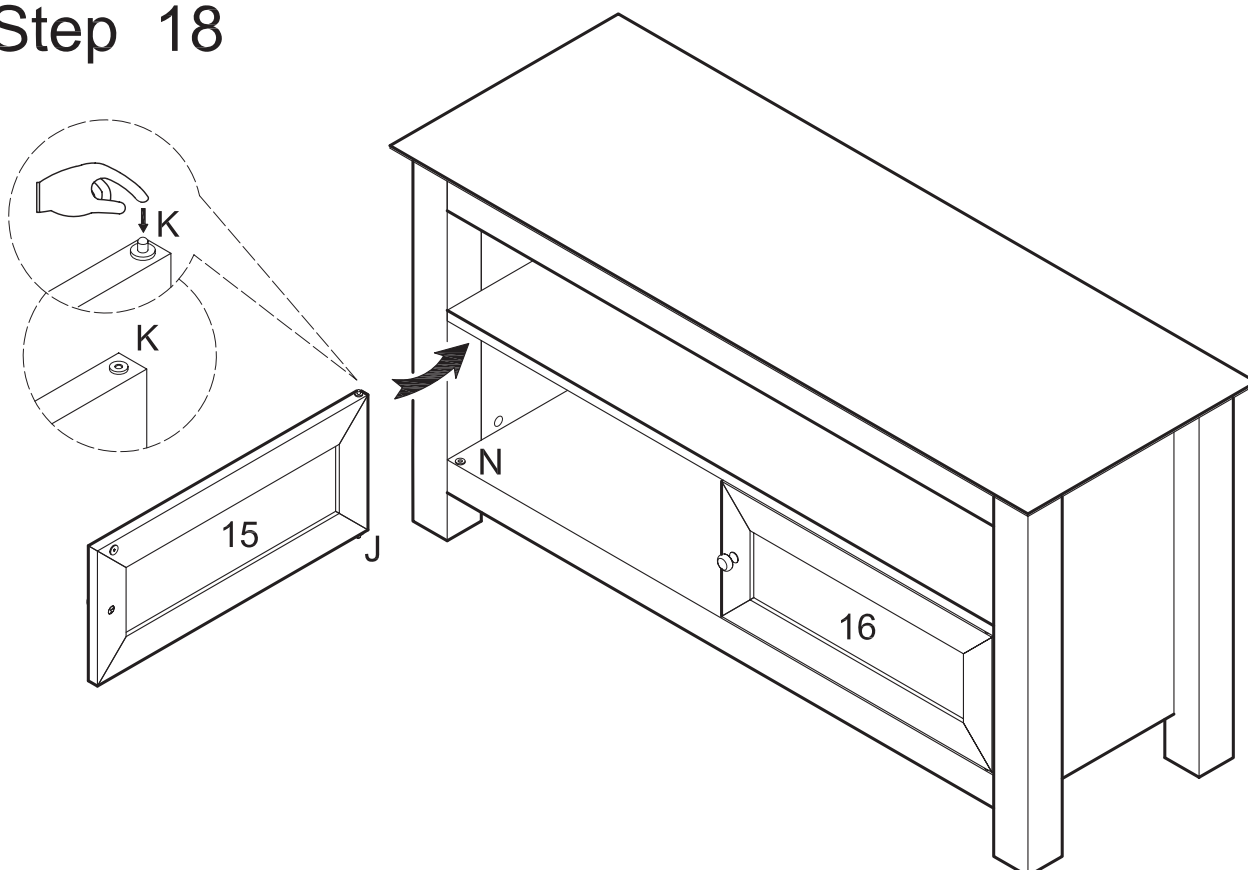
Cover all visible cam locks with stickers (T) as desired.

## Step 17



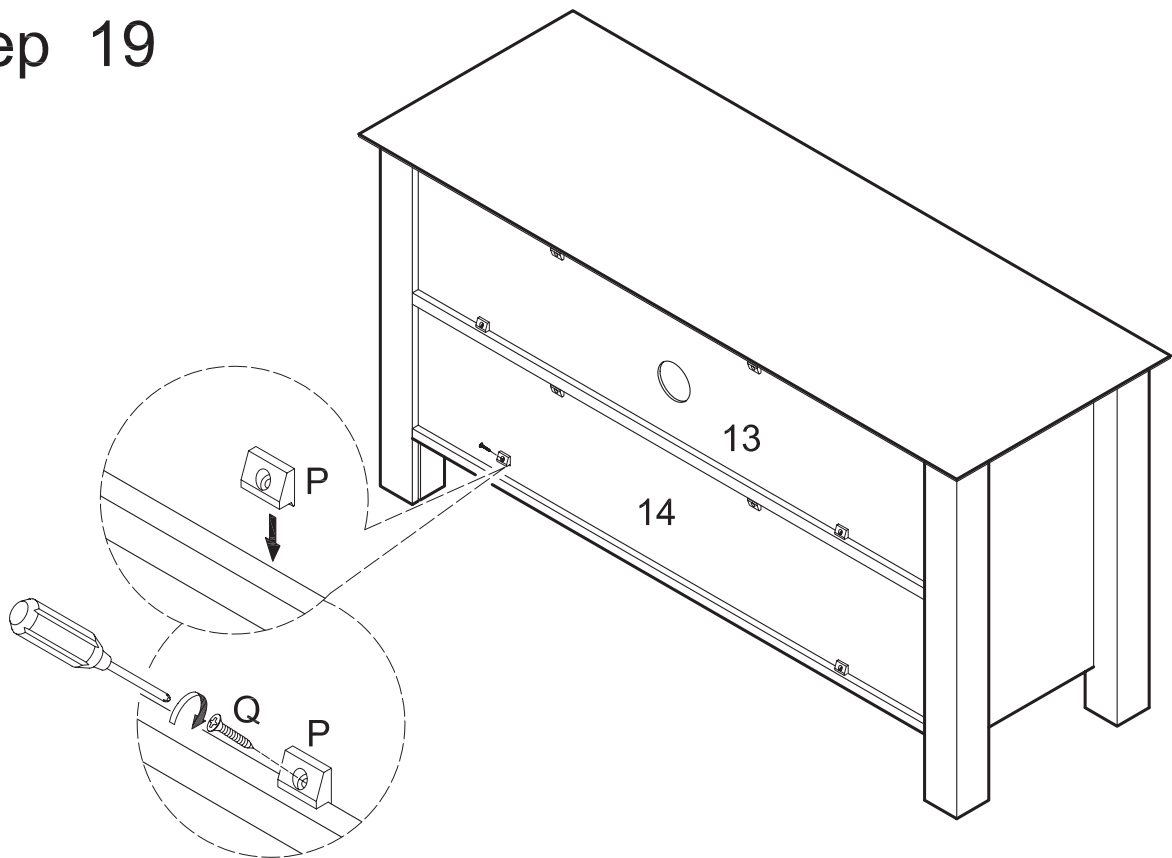
Insert plastic pivots (N) into panel (2).

## Step 18



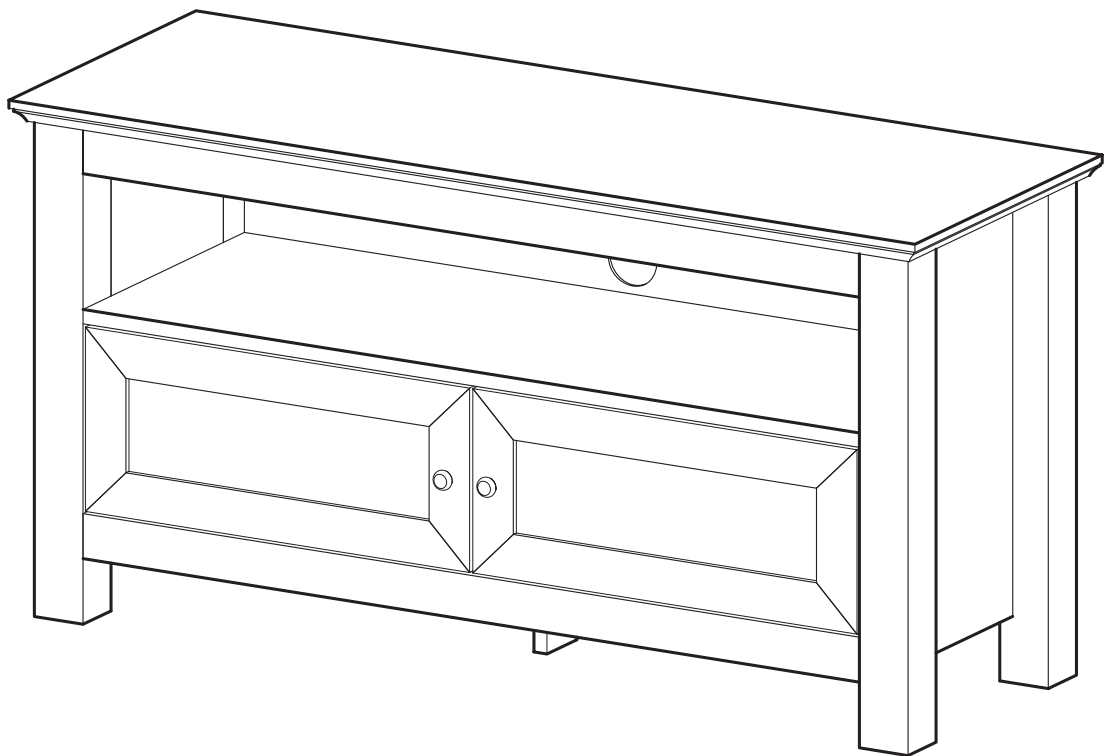
Attach door (15) to the stand by first inserting fixed door hinge (J) into plastic pivot (N). Depress spring door hinge (K) as you slide door (15) into place. Repeat this process for door (16).

## Step 19



Secure back panels (13,14) using plastic wedges (P) and large screws (Q).

## Step 20



### Final Assembly

## Free Manuals Download Website

<http://myh66.com>

<http://usermanuals.us>

<http://www.somanuals.com>

<http://www.4manuals.cc>

<http://www.manual-lib.com>

<http://www.404manual.com>

<http://www.luxmanual.com>

<http://aubethermostatmanual.com>

Golf course search by state

<http://golfingnear.com>

Email search by domain

<http://emailbydomain.com>

Auto manuals search

<http://auto.somanuals.com>

TV manuals search

<http://tv.somanuals.com>