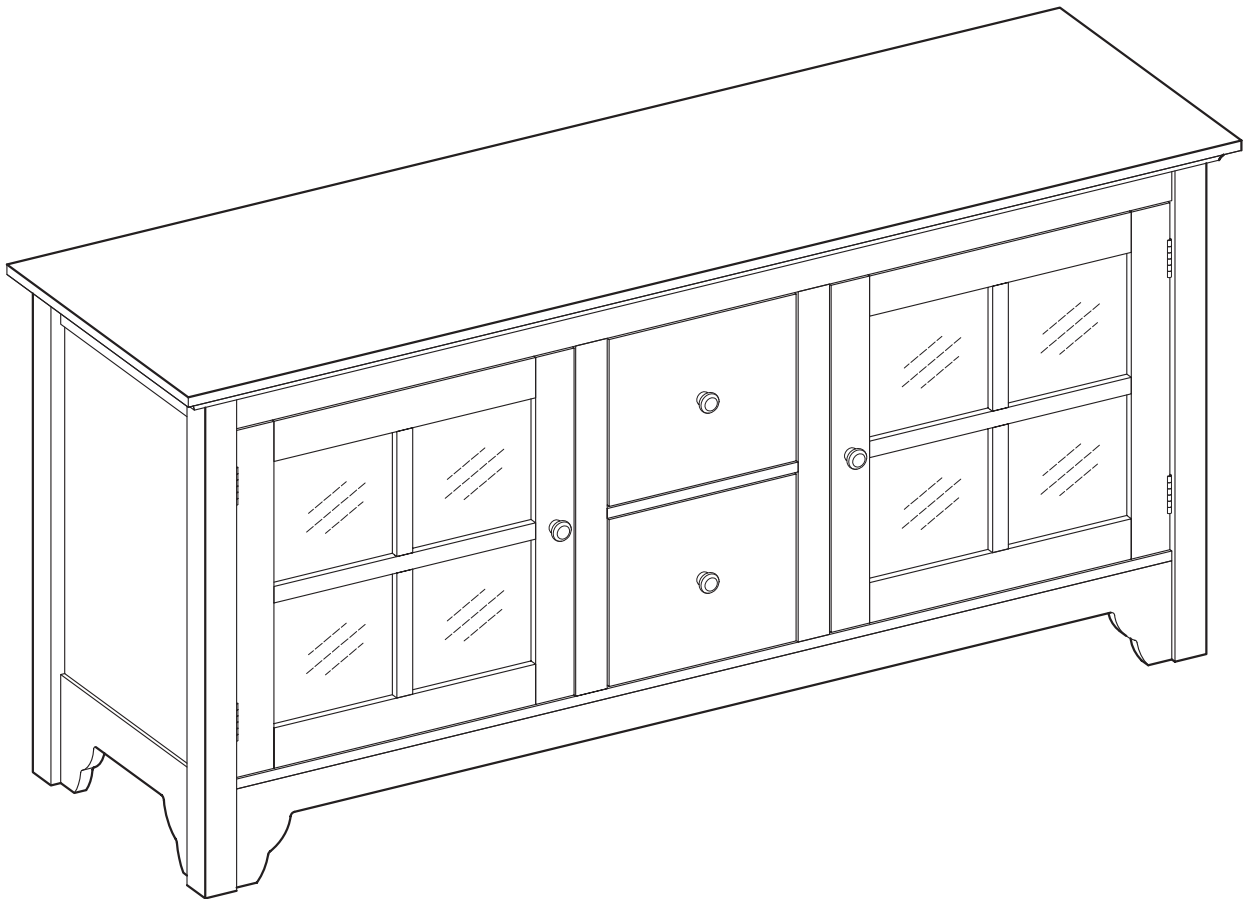




Walker
Edison

furniture company

Item #: W52C2DW
Assembly Instructions

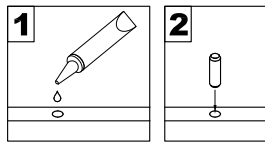


For our most current instructions, to request missing, lost or broken parts, or for any other Customer Service issues, please visit our website at www.walkeredison.com or call us at 877-207-5906.

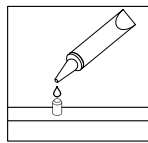
Revised 11/2010

General Assembly Guidelines

- I. Ensure that all parts and hardware are available before beginning assembly.
- II. Follow each step carefully to ensure the proper assembly of this product.
- III. Two people are recommended for ease in the assembly of this product.
- IV. The four main types of hardware used to assemble this product are: wood dowels, cam bolts and locks, bolts and screws.
- V. The provided glue is to secure wood dowels in place. When first inserting dowels, locate the appropriate hole for the dowel, place a small amount of glue in the hole and insert the dowel. Wipe away excess glue immediately.



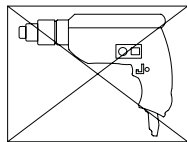
In future assembly steps when dowels are necessary to attach assembly parts together, place a small amount of glue on the end of the dowel before attaching parts together. Wipe away excess glue immediately.



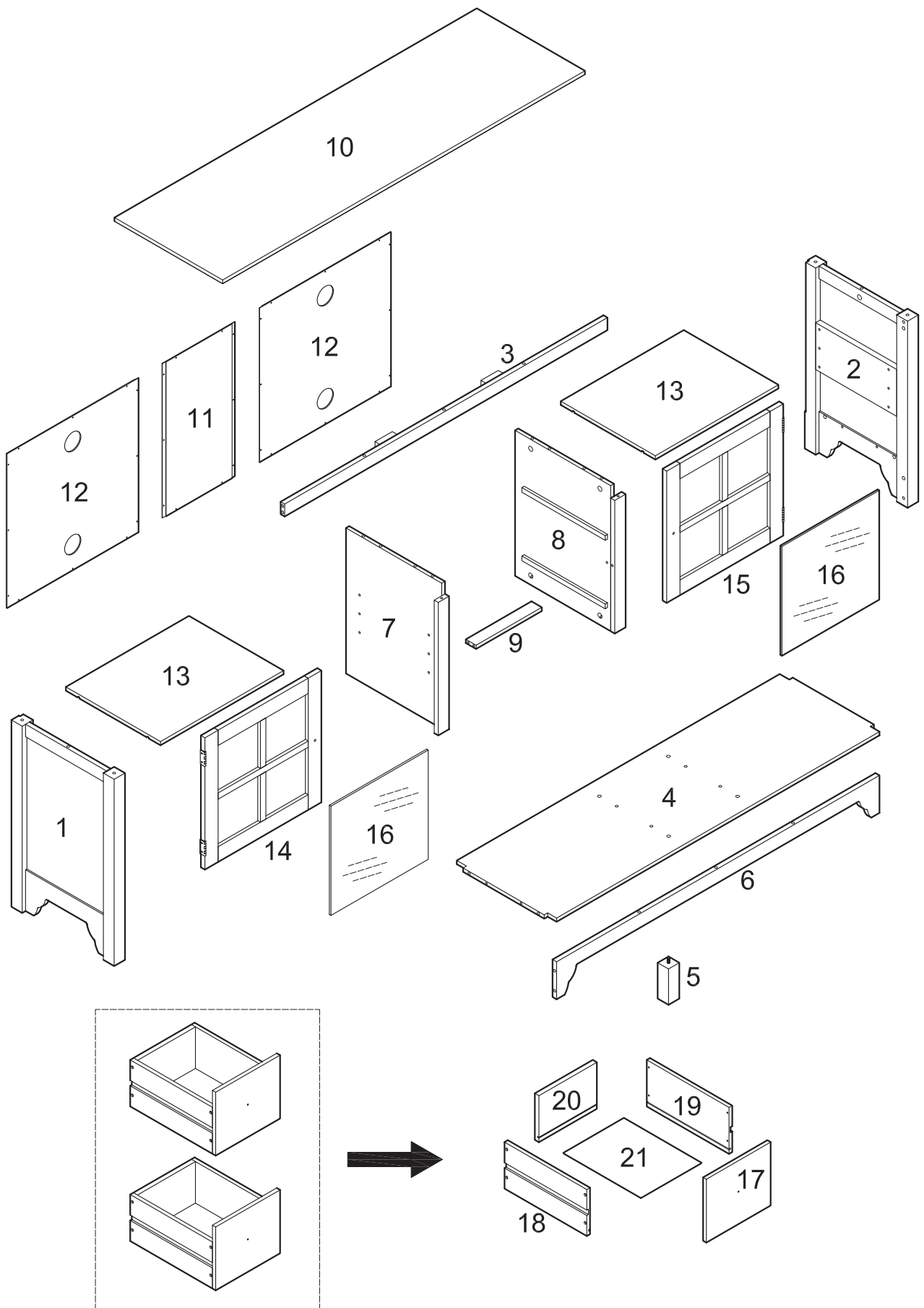
- VI. A Phillips head screwdriver is required for the assembly of this product.





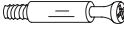

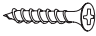
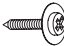
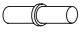





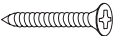




- VII. Power tools should not be used to assemble this product.



Parts List

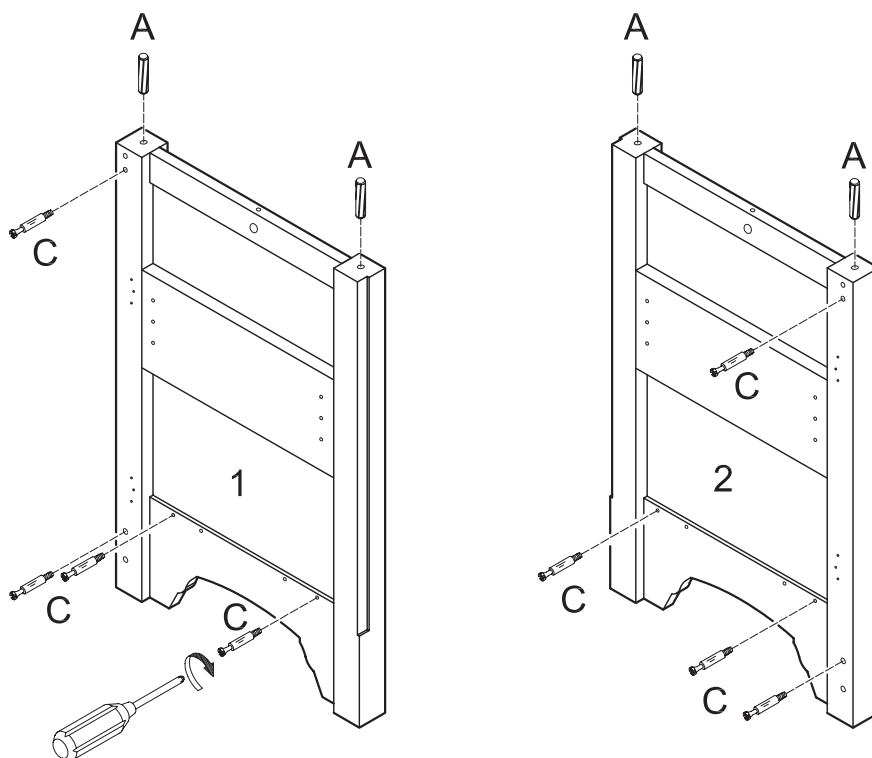


Hardware List

A		Ø8x30	Large wood dowel	12 pcs
B		Ø6x30	Small wood dowel	18 pcs
C		Ø6x32	Cam bolt	22 pcs
D		Ø15x9.5	Cam lock	22 pcs
E		Ø8x4x25	Extra-large screw	16 pcs
F		Ø7x2.5x12	Flange screw	28 pcs
G		Ø8x5x16	Shelf support pin	8 pcs
H		Ø24x21	Handle	4 pcs
J		Ø9x5/32"x3/4"	Bolt	4 pcs
K		Ø12x0.5	Metal washer	16 pcs
L			Door stopper	2 pcs
M			Drawer stopper	2 pcs
N		Ø6x3x15	Large screw	4 pcs
P		Ø6x3x12	Medium screw	10 pcs
Q		Ø4x2x8	Small screw	16 pcs
R			Glue tube	1 pc
S			Touch-up marker	1 pc

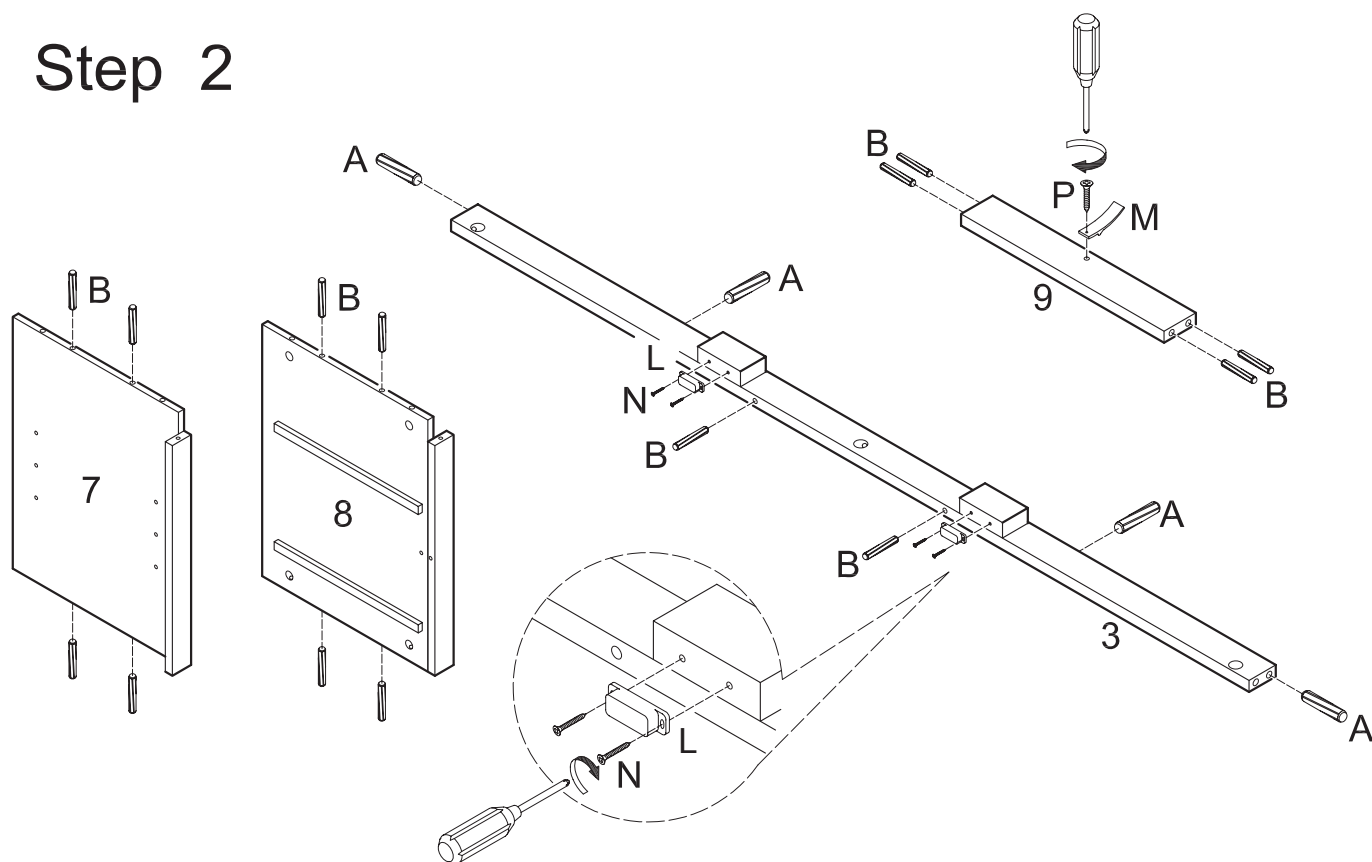
*The hardware quantities listed above are required for proper assembly.
Some extra hardware may also have been included.*

Step 1



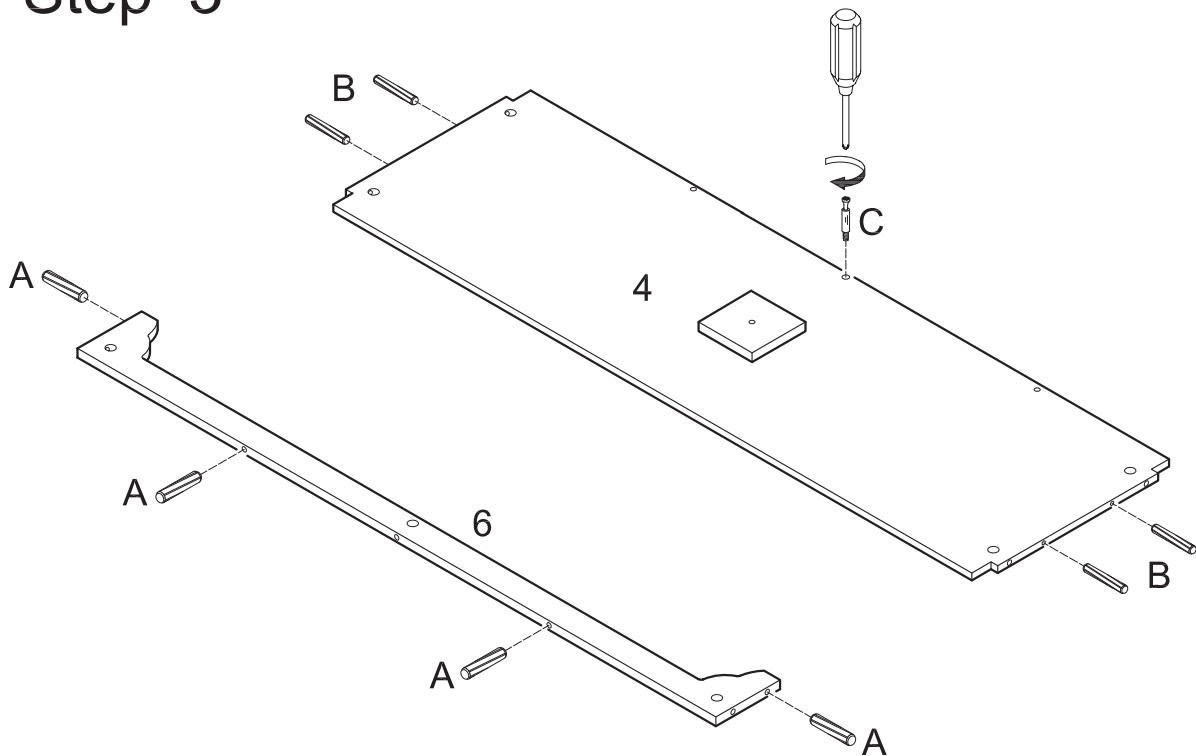
Insert large dowels (A) into side panels (1,2). Screw cam bolts (C) into side panels (1,2).

Step 2



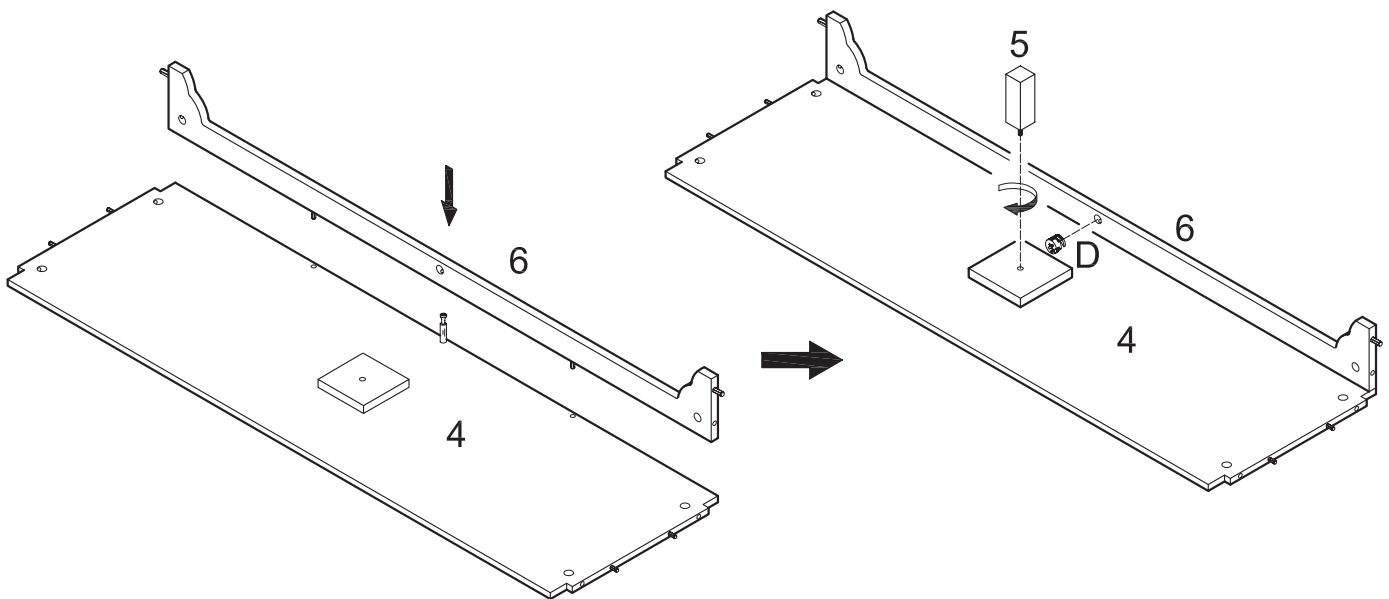
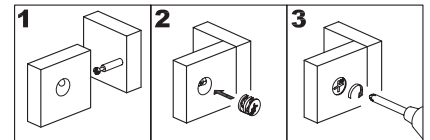
Insert small dowels (B) into panels (7,8) and slats (3,9). Insert large dowels (A) into slat (3). Attach door stoppers (L) to slat (3) using large screws (N). Attach drawer stopper (M) to slat (9) using medium screw (P).

Step 3



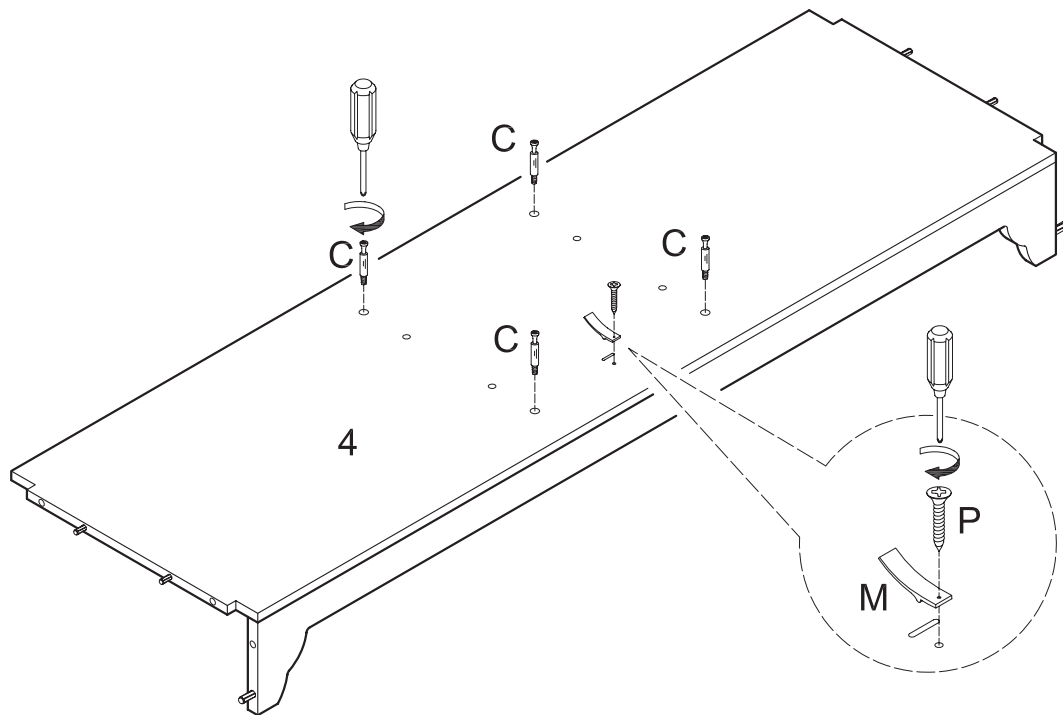
Insert large dowels (A) into slat (6). Insert small dowels (B) into bottom panel (4). Screw cam bolt (C) into bottom panel (4).

Step 4



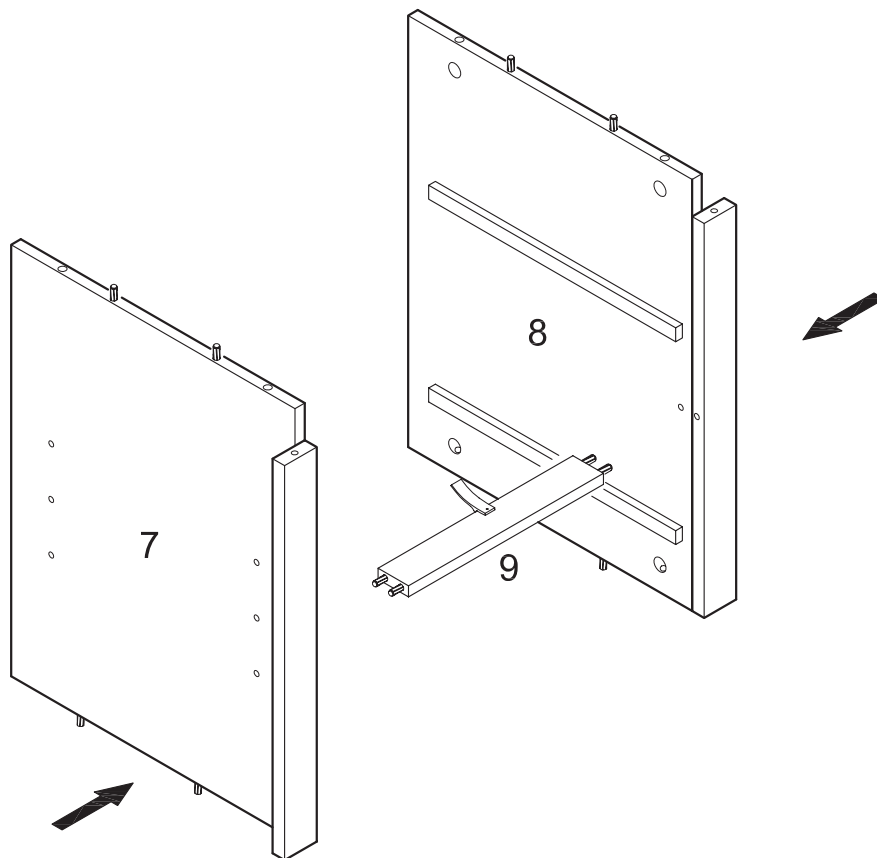
Attach slat (6) to bottom panel (4) using cam bolt and dowels as guides. Insert cam lock (D) into slat (6) and tighten with a screwdriver. Screw leg (5) into bottom panel (4).

Step 5



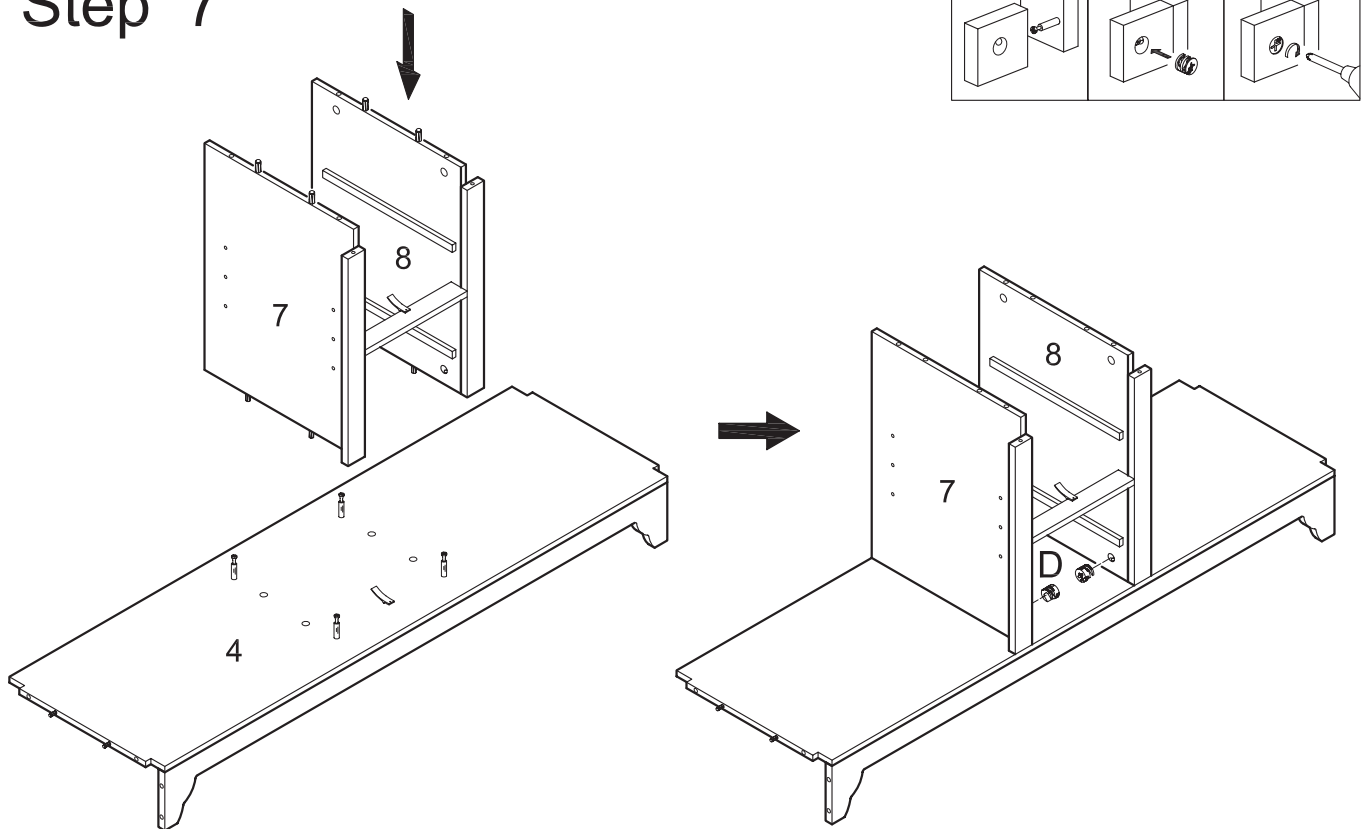
Screw cam bolts (C) into bottom panel (4). Attach drawer stopper (M) to bottom panel (4) using medium screw (P).

Step 6



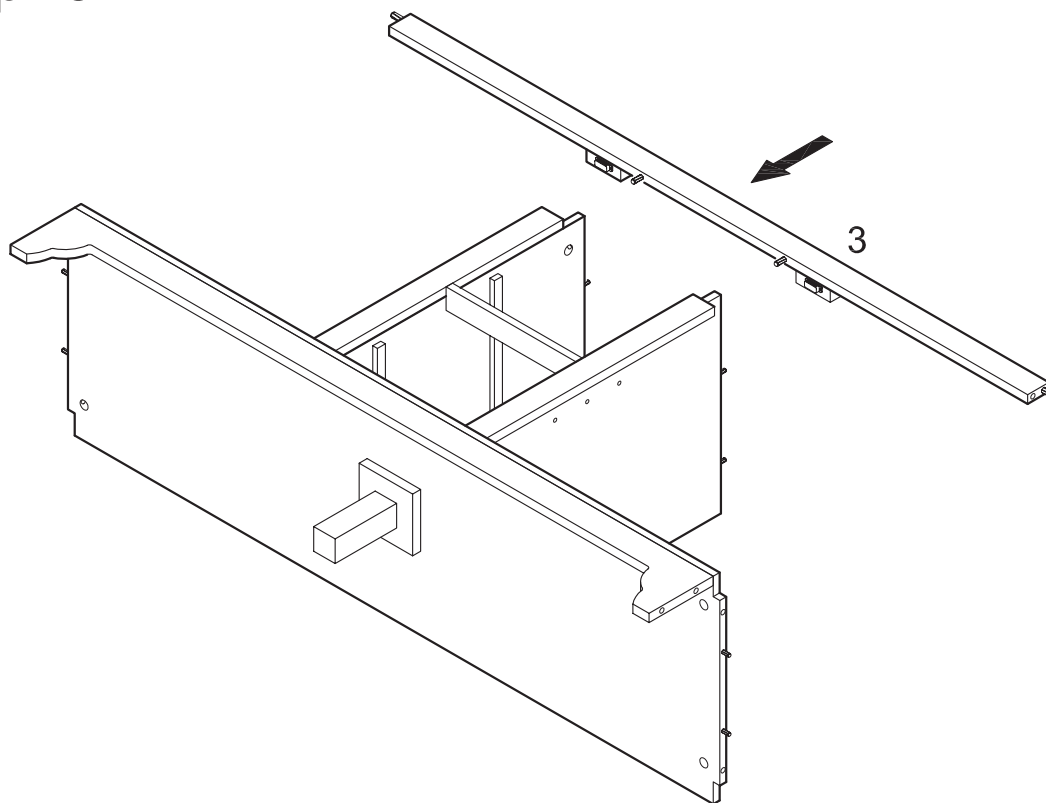
Join panels (7,8) together with slat (9). Use dowels as guides.

Step 7



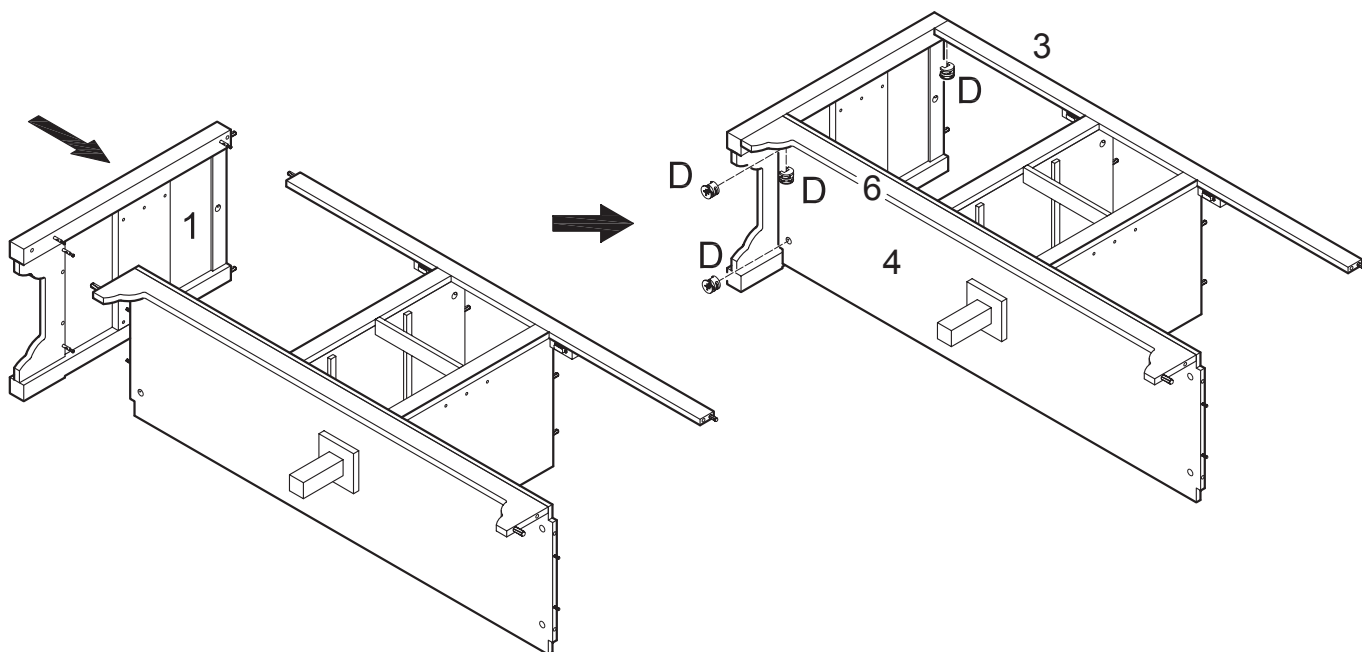
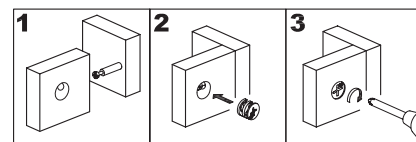
Attach the panel assembly from the previous step to bottom panel (4) using cam bolts and dowels as guides. Insert cam locks (D) into panels (7,8) and tighten with a screwdriver. *Note that two cam locks (D) will be inserted into each panel (7,8).*

Step 8



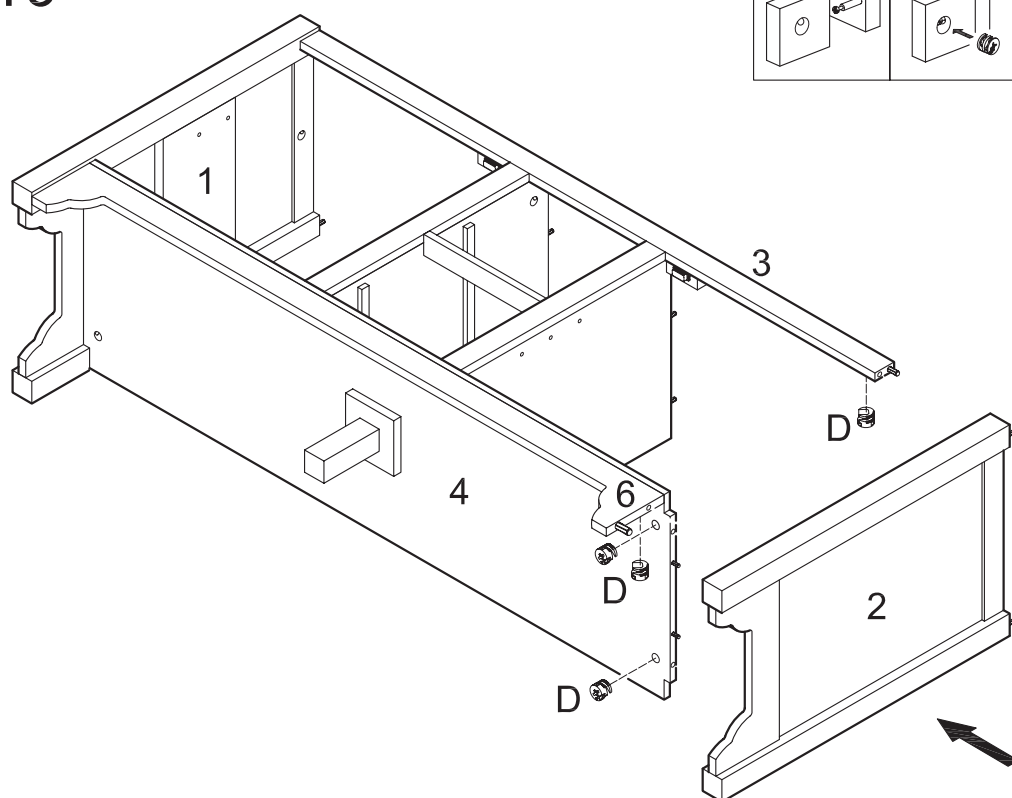
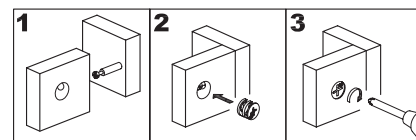
Attach slat (3) to the assembly from the previous step using dowels as a guide.

Step 9



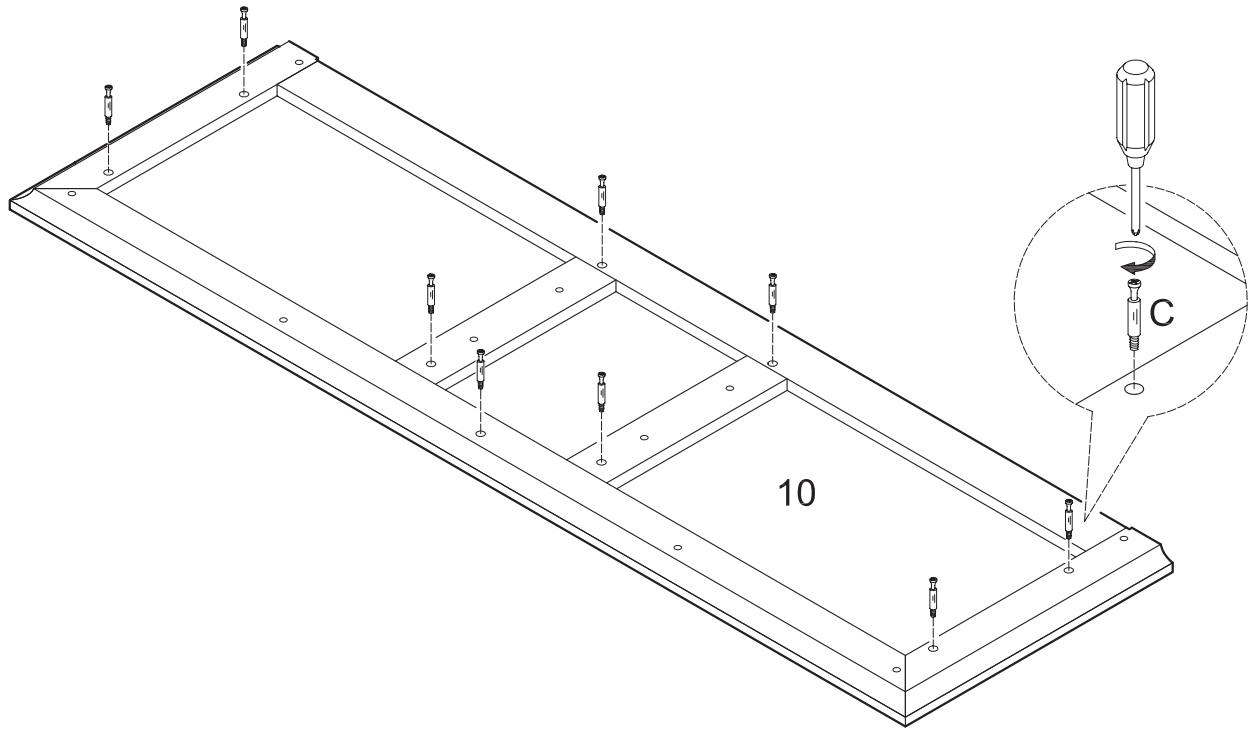
Attach side panel (1) to the assembly from the previous step using cam bolts and dowels as guides. Insert cam locks (D) into panel (4) and slats (3,6). Tighten cam locks (D) with a screwdriver.

Step 10



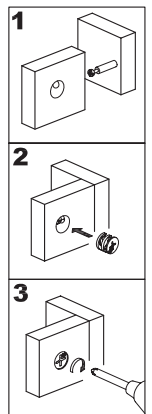
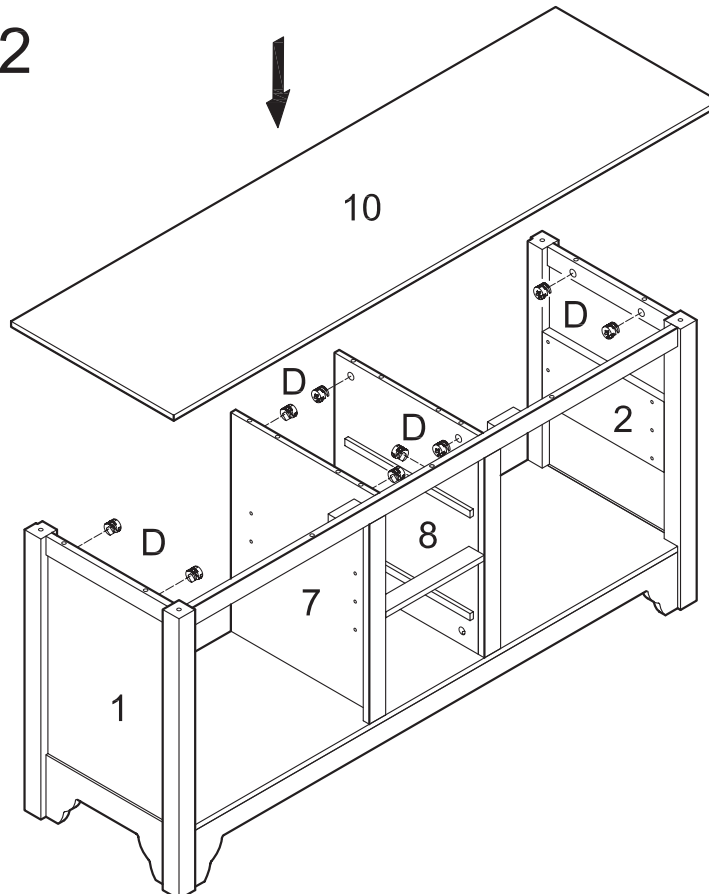
Attach side panel (2) to the opposite side of the assembly from Step 8 using cam bolts and dowels as guides. Insert cam locks (D) into panel (4) and slats (3,6). Tighten cam locks (D) with a screwdriver.

Step 11



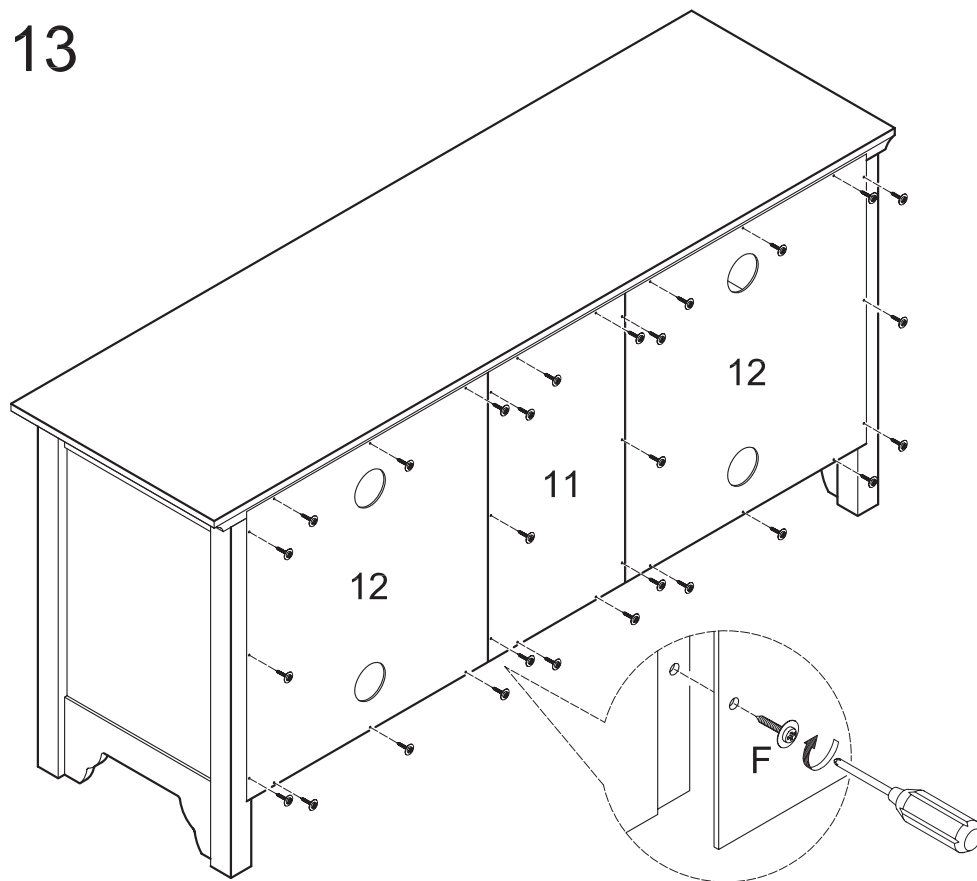
Screw cam bolts (C) into top panel (10).

Step 12



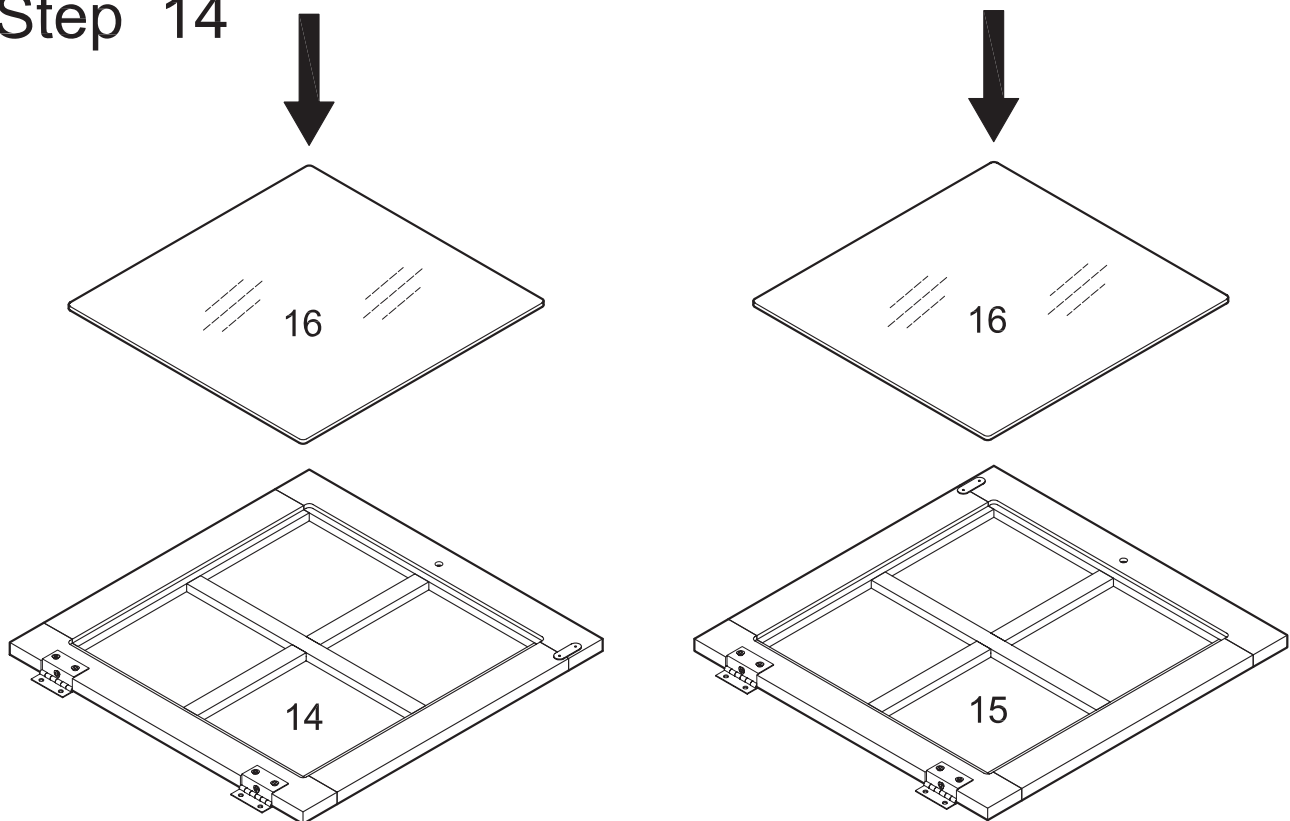
Insert cam locks (D) into the assembly from Step 10. Attach top panel (10) to the assembly using cam bolts and dowels as guides. Tighten cam locks (D) with a screwdriver.

Step 13



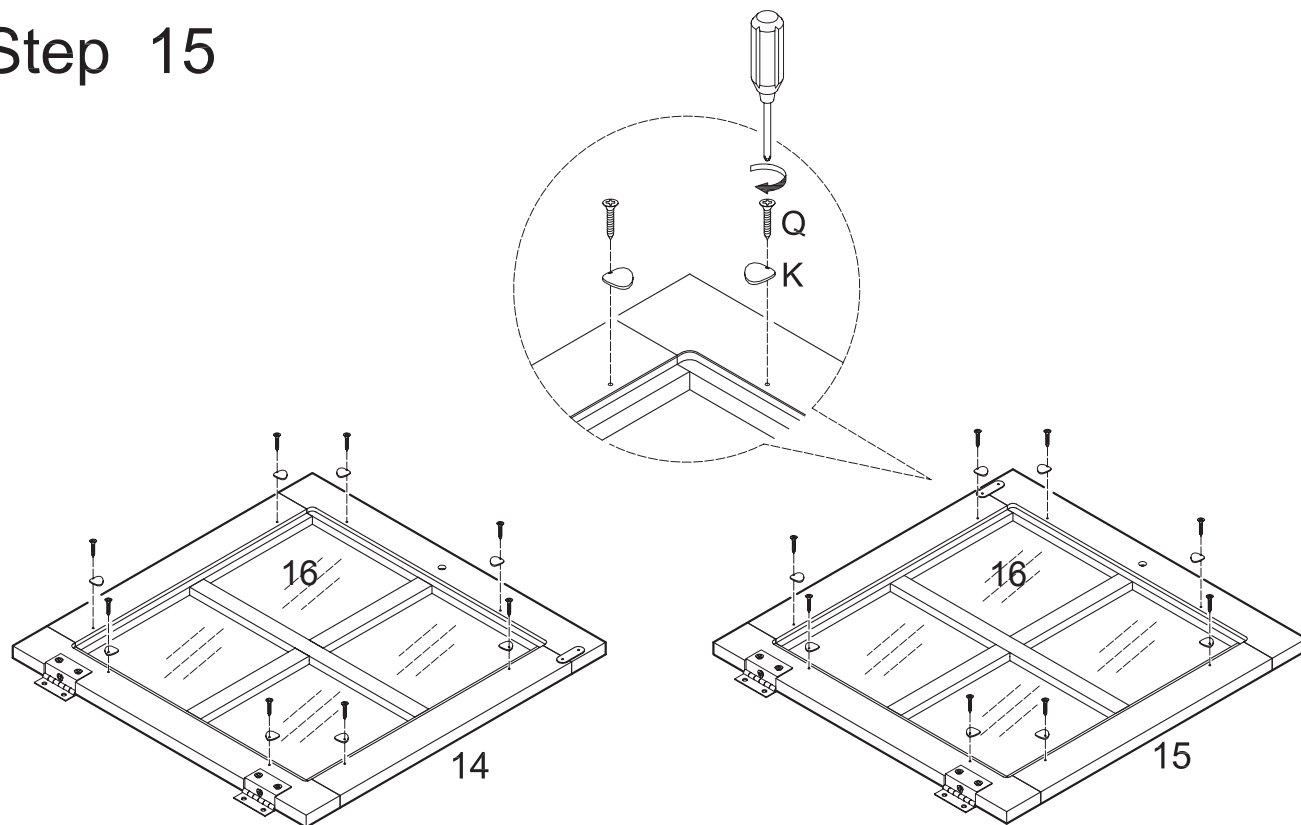
Attach back panels (11,12) to the assembly from the previous step using flange screws (F). *Note that back panels (12) will overlap back panel (11).*

Step 14



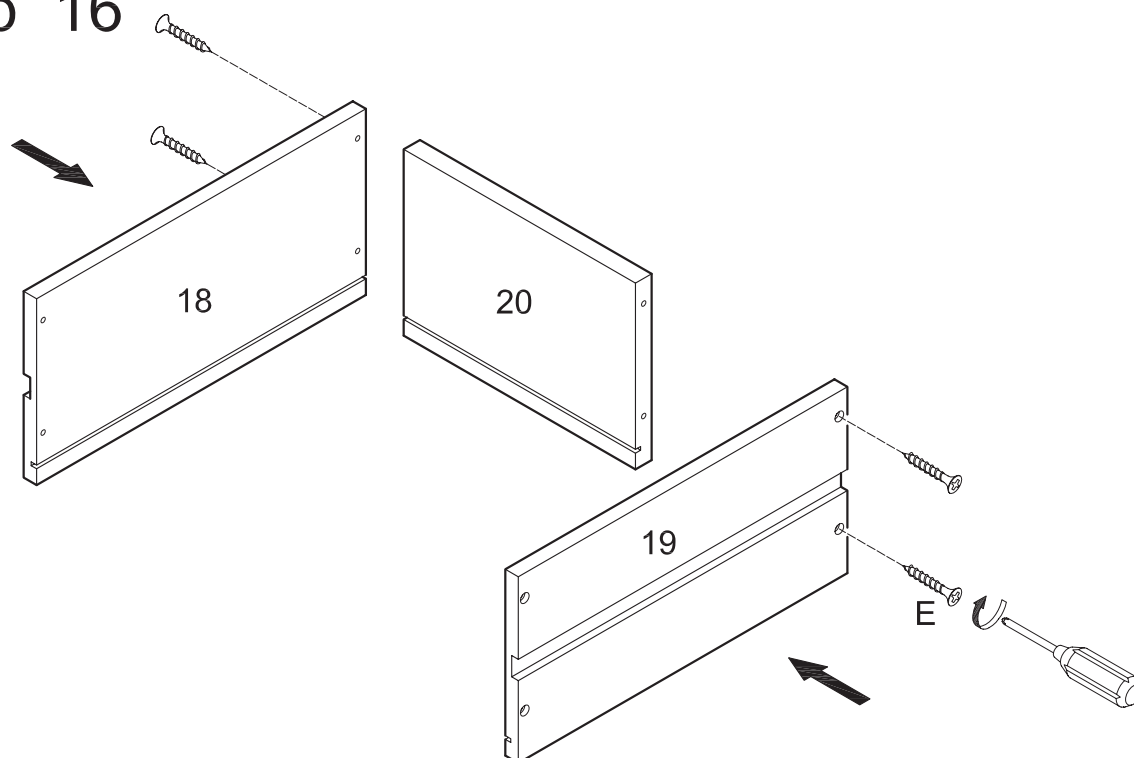
Carefully place glass panes (16) into door frames (14,15).

Step 15



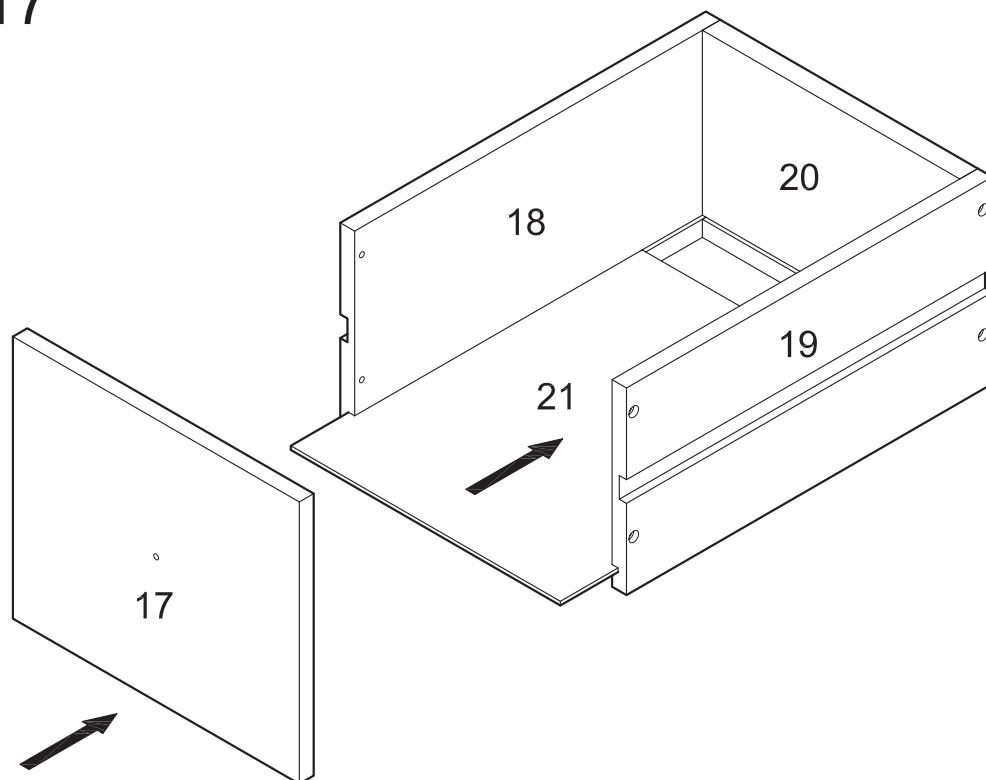
Secure glass panes (16) by attaching metal washers (K) to door frames (14,15) with small screws (Q). Note that the curve of metal washers (K) will arc into glass panes (16).

Step 16



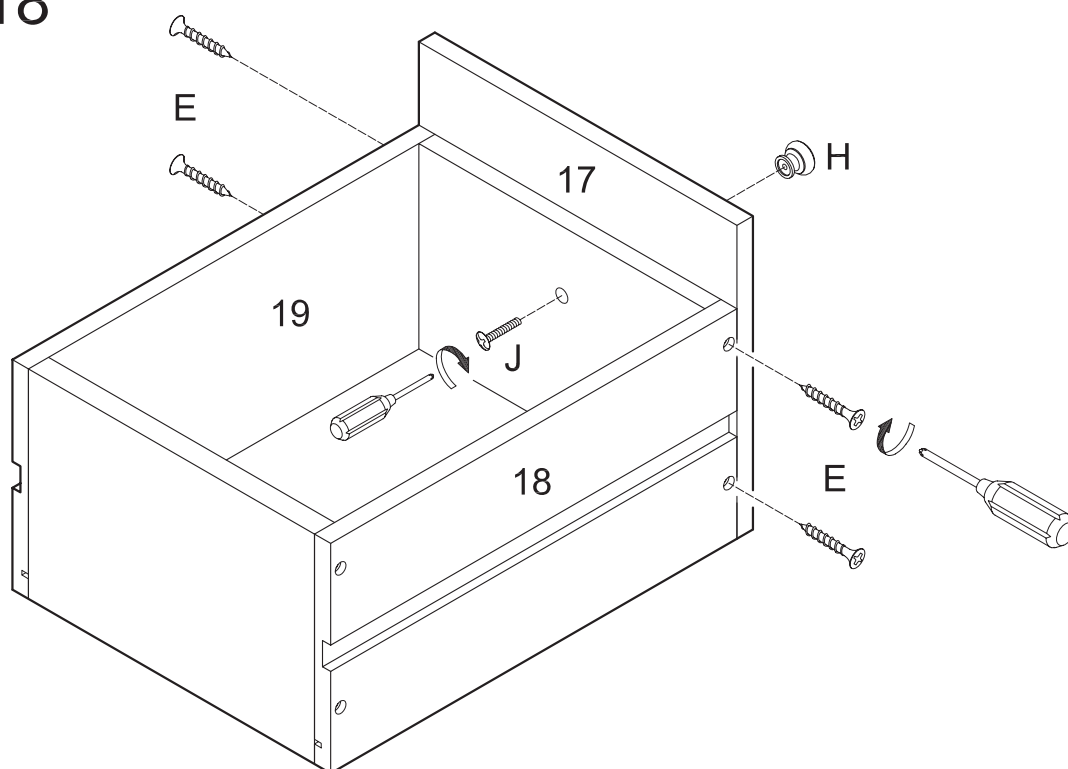
Attach drawer sides (18,19) to drawer back (20) using extra-large screws (E). Note that the thin grooves at the base of each drawer piece will align along the inside of the drawer assembly. Repeat this step for the second drawer.

Step 17



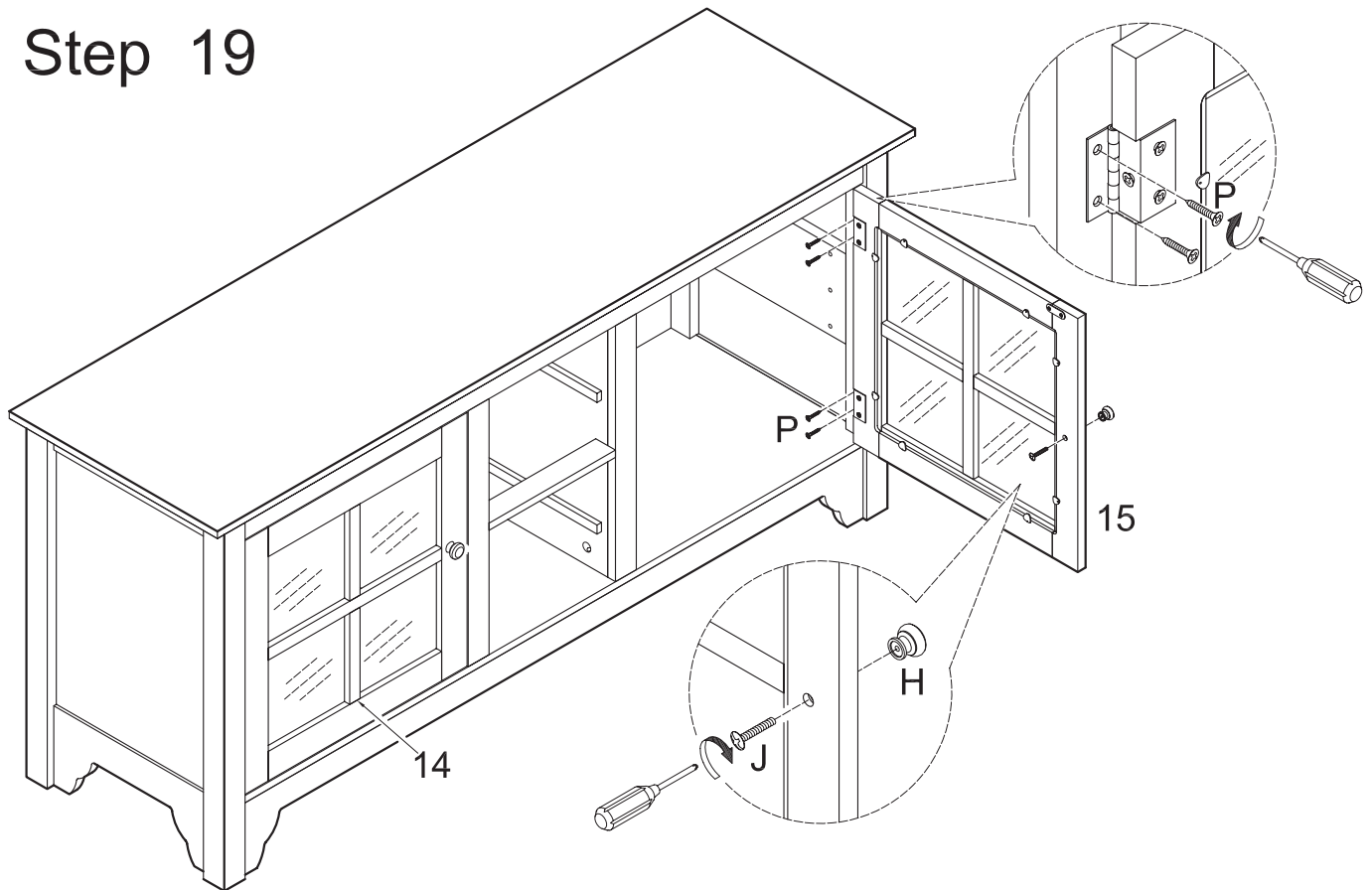
Slide drawer bottom (21) into place along the thin grooves of the drawer assembly. Fit drawer front (17) into place. Repeat this step for the second drawer.

Step 18



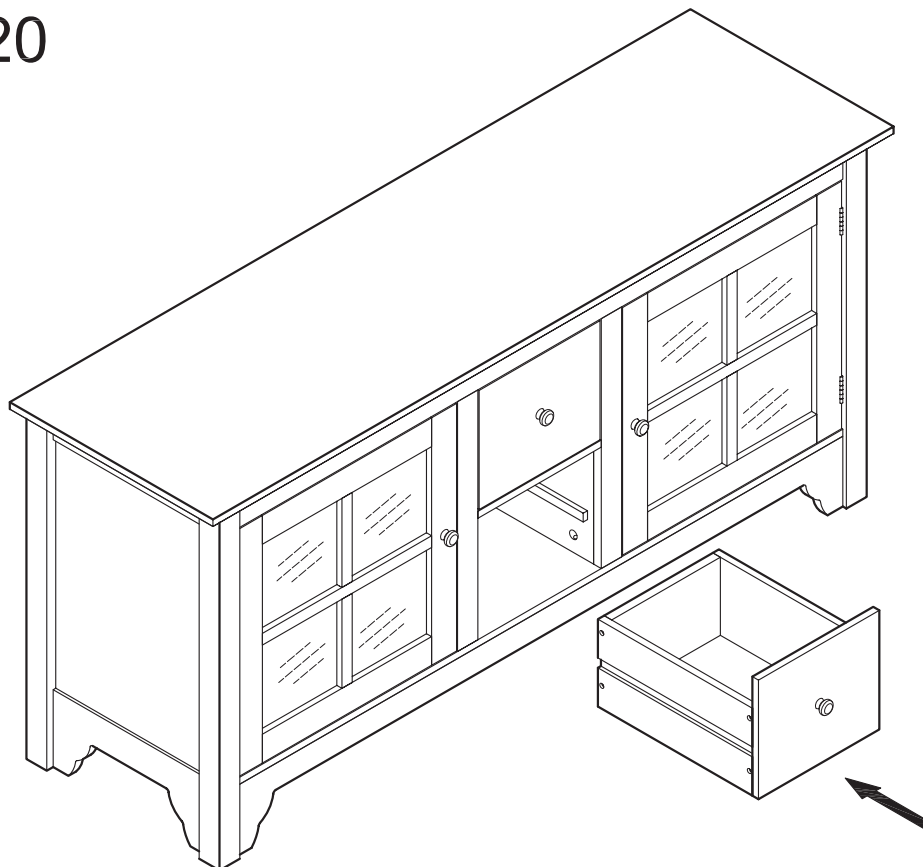
Secure drawer front (17) to the drawer assembly using extra-large screws (E). Attach handle (H) to drawer front (17) using bolt (J). Repeat this step for the second drawer.

Step 19



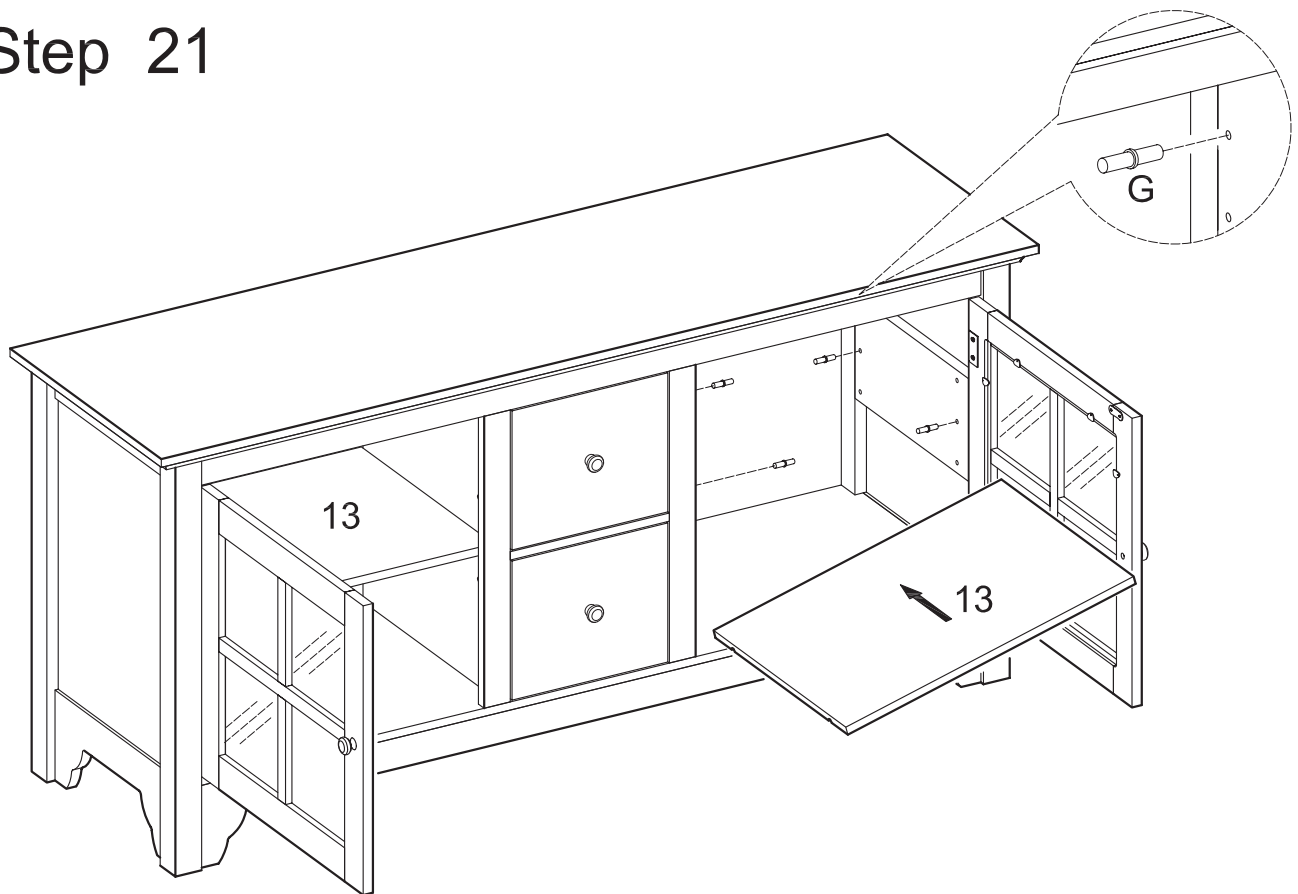
Attach doors (14,15) to the stand assembly using medium screws (P) at the hinges. Attach handles (H) to doors (14,15) using bolts (J).

Step 20



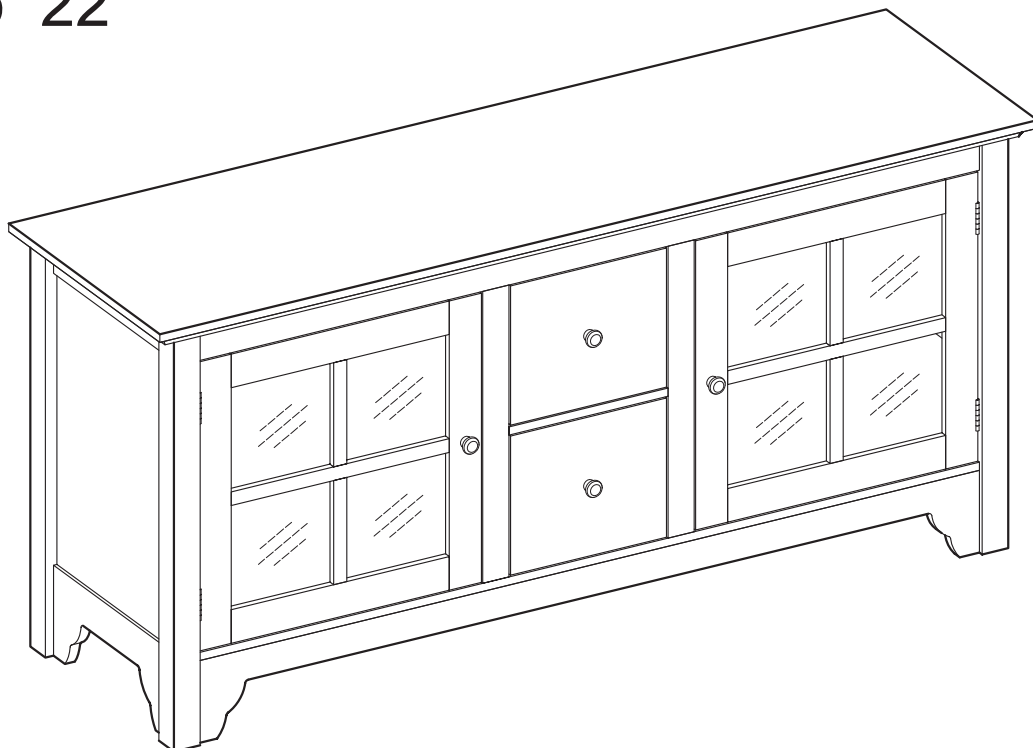
Carefully slide both drawers into the stand assembly.

Step 21



Insert shelf support pins (G) into the stand assembly at the desired shelf heights. Place shelves (13) on shelf support pins (G).

Step 22



Final Assembly

Free Manuals Download Website

<http://myh66.com>

<http://usermanuals.us>

<http://www.somanuals.com>

<http://www.4manuals.cc>

<http://www.manual-lib.com>

<http://www.404manual.com>

<http://www.luxmanual.com>

<http://aubethermostatmanual.com>

Golf course search by state

<http://golfingnear.com>

Email search by domain

<http://emailbydomain.com>

Auto manuals search

<http://auto.somanuals.com>

TV manuals search

<http://tv.somanuals.com>