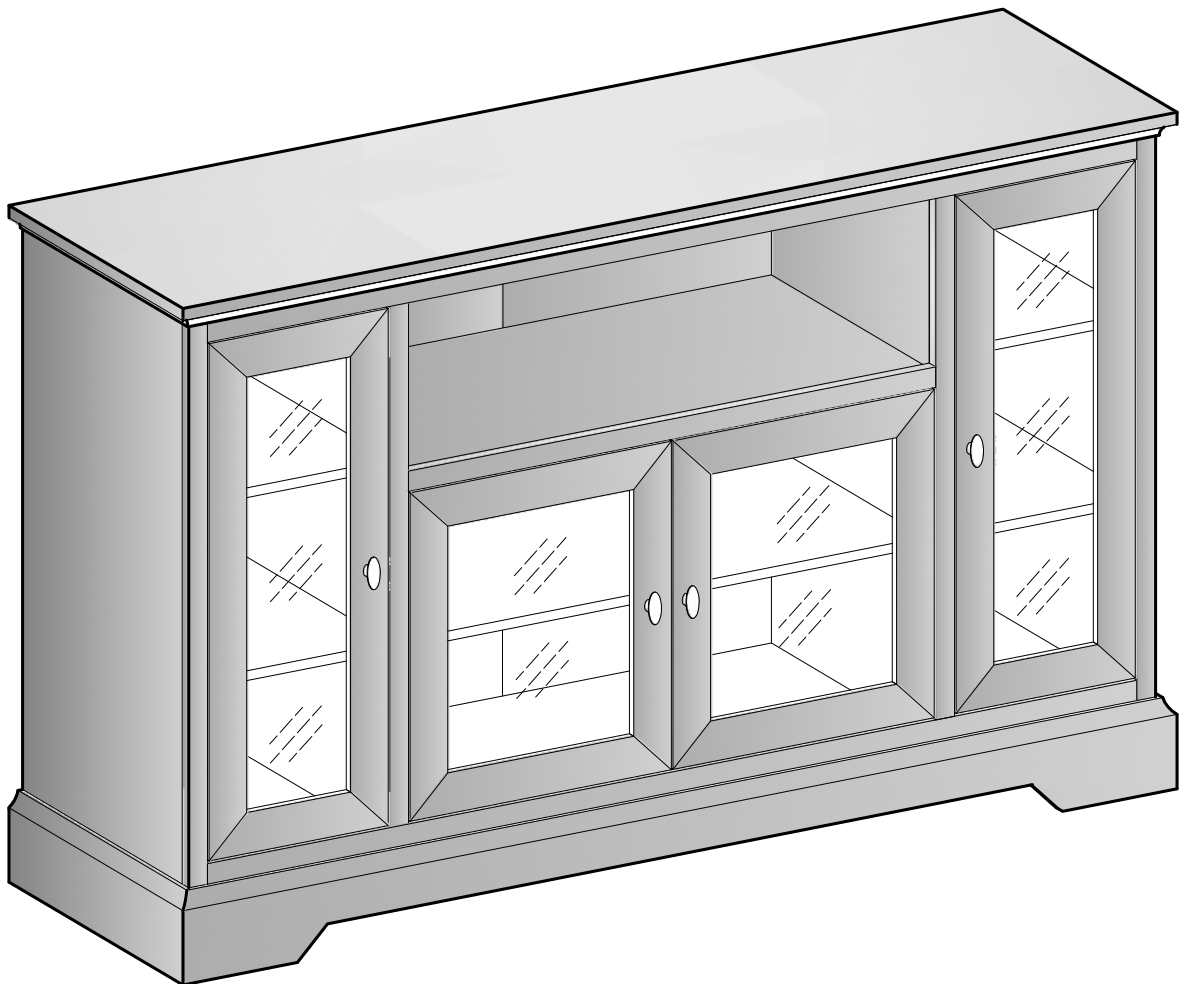


W Walker
Edison
furniture company

Item #: W52C32
Assembly Instructions

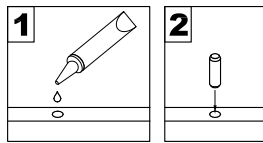


For our most current instructions, to request missing, lost, or broken parts, or for any other Customer Service issues, please visit our website at www.walkeredison.com or call us at 877-207-5906.

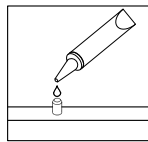
Revised 07/2012

General Assembly Guidelines

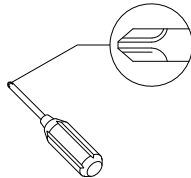
- I. Ensure that all parts and hardware are available before beginning assembly.
- II. Follow each step carefully to ensure the proper assembly of this product.
- III. Two people are recommended for ease in the assembly of this product.
- IV. The main types of hardware used to assemble this product are wood dowels, cam bolts and locks, bolts and screws.
- V. The provided glue is to secure wood dowels in place. When first inserting dowels, locate the appropriate hole for the dowel, place a small amount of glue in the hole and insert the dowel. Wipe away excess glue immediately.



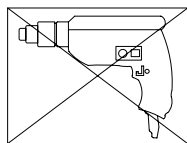
In future assembly steps when dowels are necessary to attach assembly parts together, place a small amount of glue on the end of the dowel before attaching parts together. Wipe away excess glue immediately.



- VI. A Phillips head screwdriver is required for the assembly of this product.

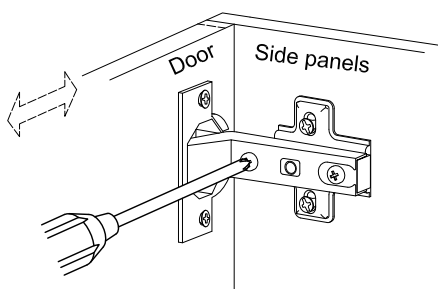


- VII. Power tools should not be used to assemble this product.

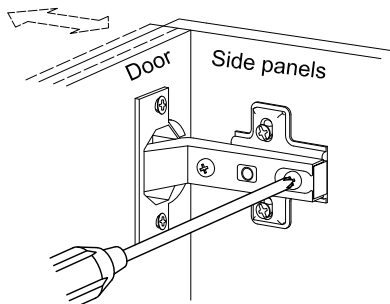


- VIII. The hinges of this product can be adjusted three ways:

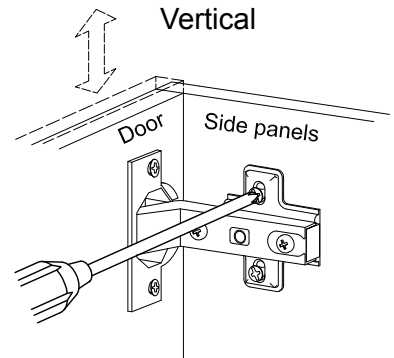
Horizontal



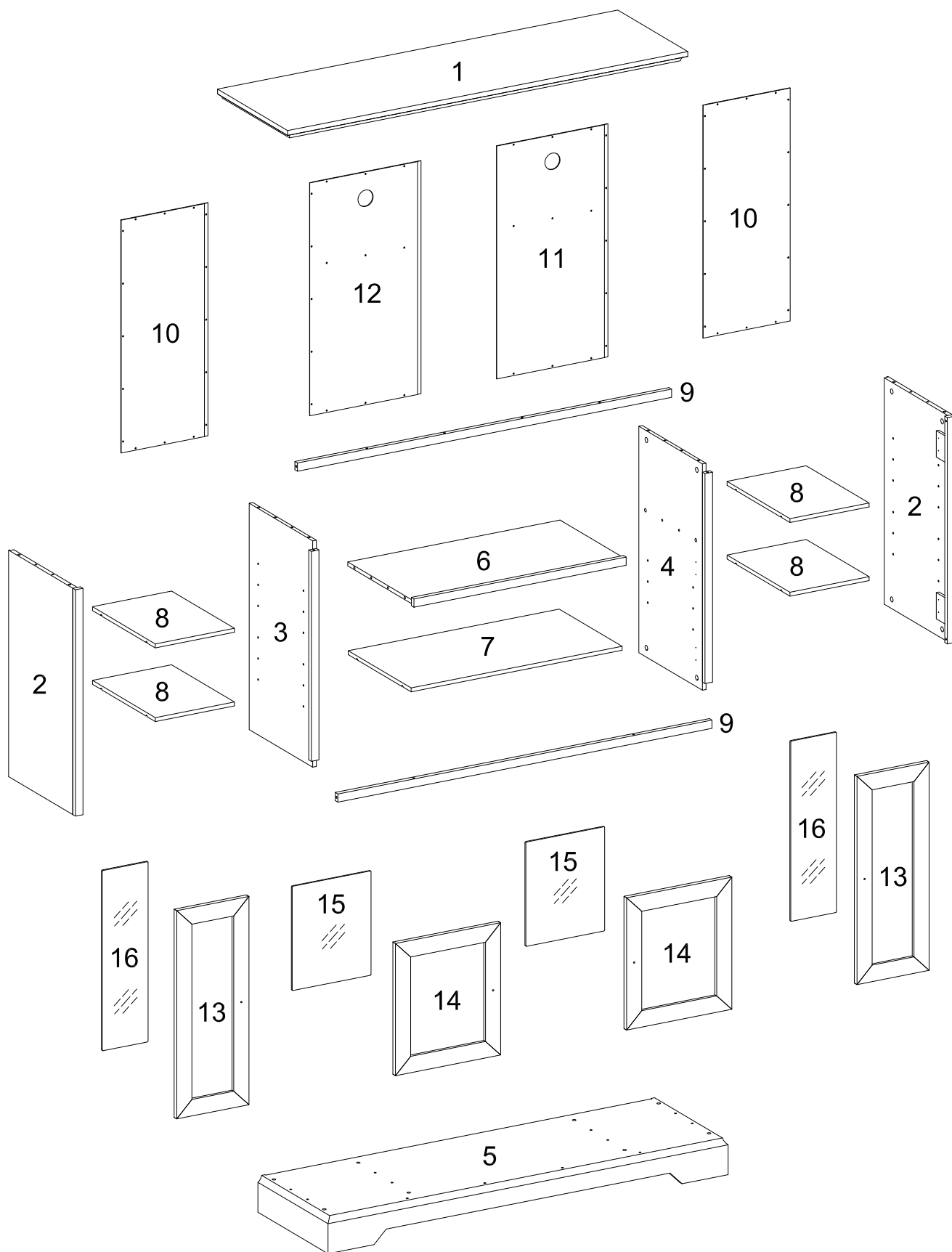
Forward and Back





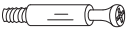


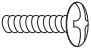

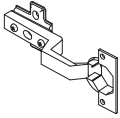


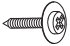


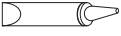

Vertical



Parts List

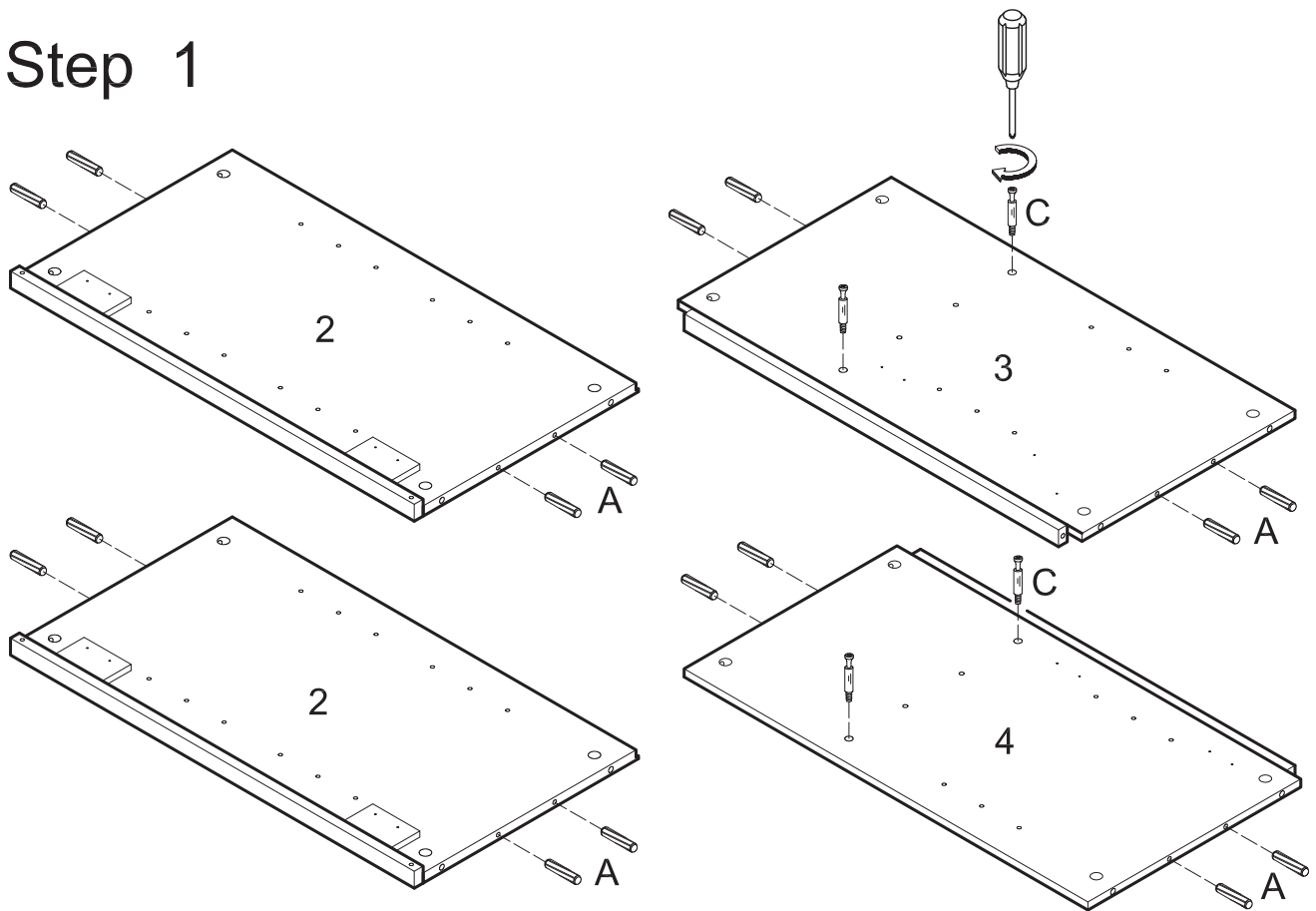


Hardware List

A		Ø8x30mm	Wood dowel	32 pcs
B		Ø6x30mm	Wood dowel	4 pcs
C		Ø6x32mm	Cam bolt	20 pcs
D		Ø15x9.5mm	Cam lock	20 pcs
E		Ø24x21mm	Handle	4 pcs
F		Ø9mmx5/32"x3/4"	Bolt	4 pcs
G		Ø12x0.5mm	Metal washer	32 pcs
H			Hinge	8 pcs
J		Ø4x12mm	Screw	32 pcs
K		Ø4x2.5x8mm	Screw	32 pcs
L		Ø7x3x12mm	Screw	50 pcs
M		Ø8x5x16mm	Shelf support pin	20 pcs
N			Sticker	16 pcs
P			Glue tube	3 pcs
Q			Touch-up marker	1 pc

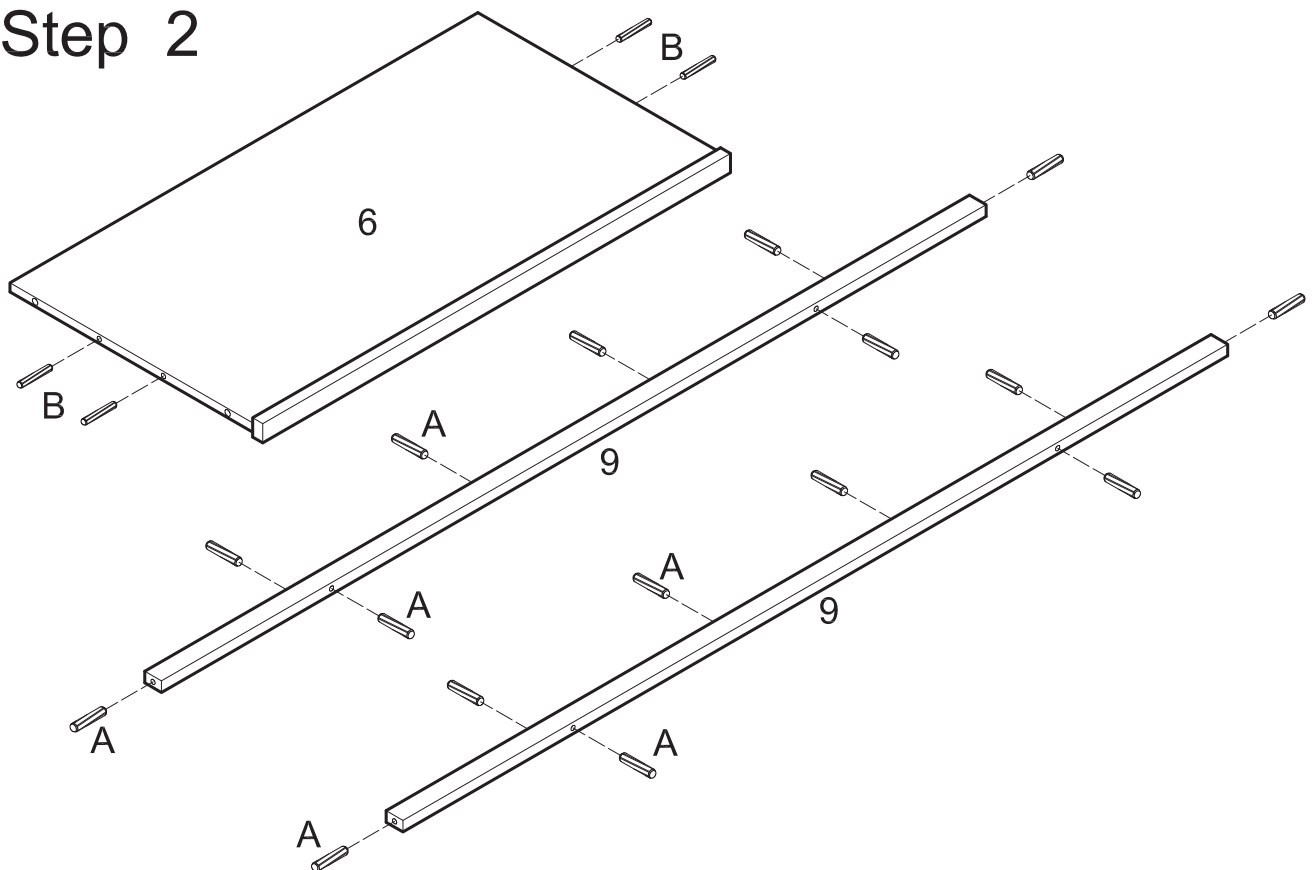
*The hardware quantities listed above are required for proper assembly.
Some extra hardware may also have been included.*

Step 1



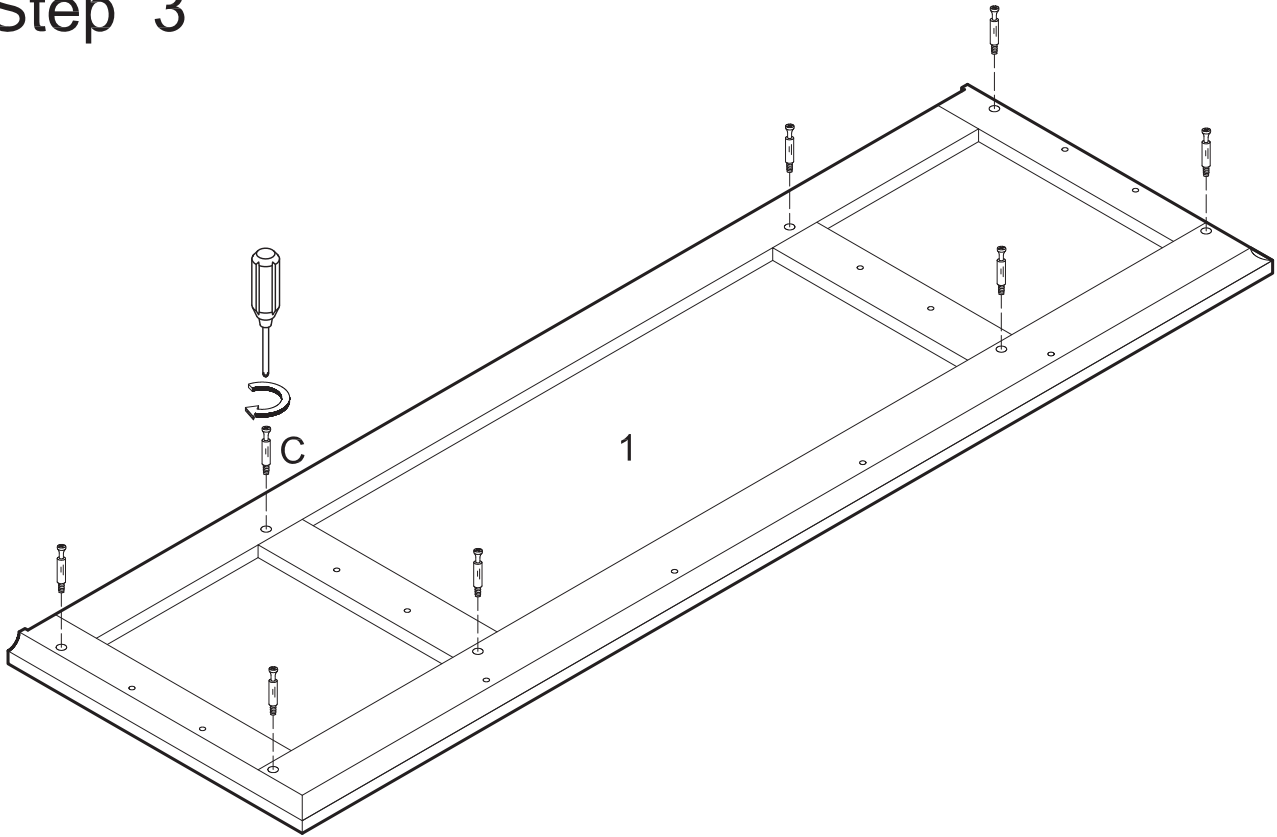
Insert dowels (A) into panels (2,3,4). Screw cam bolts (C) into panels (3,4).

Step 2



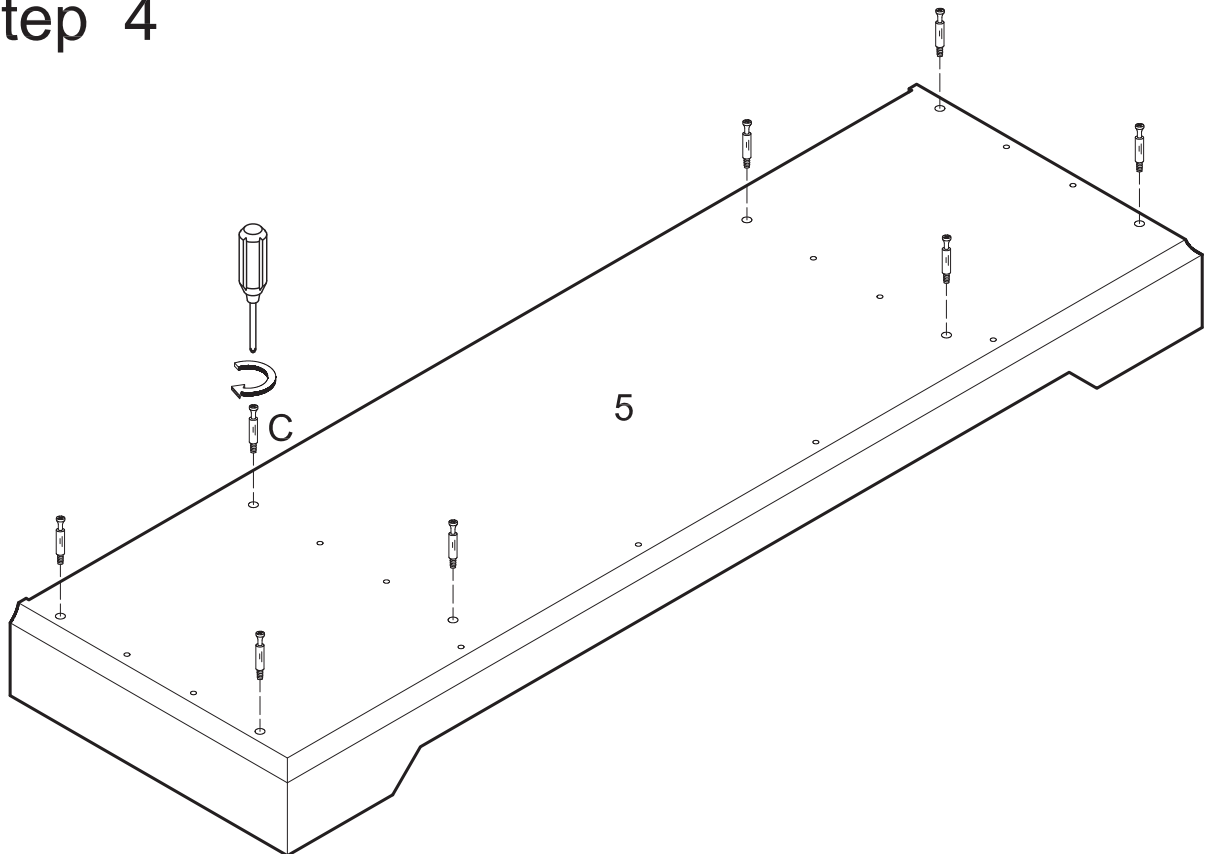
Insert dowels (B) into panel (6). Insert dowels (A) into slats (9).

Step 3



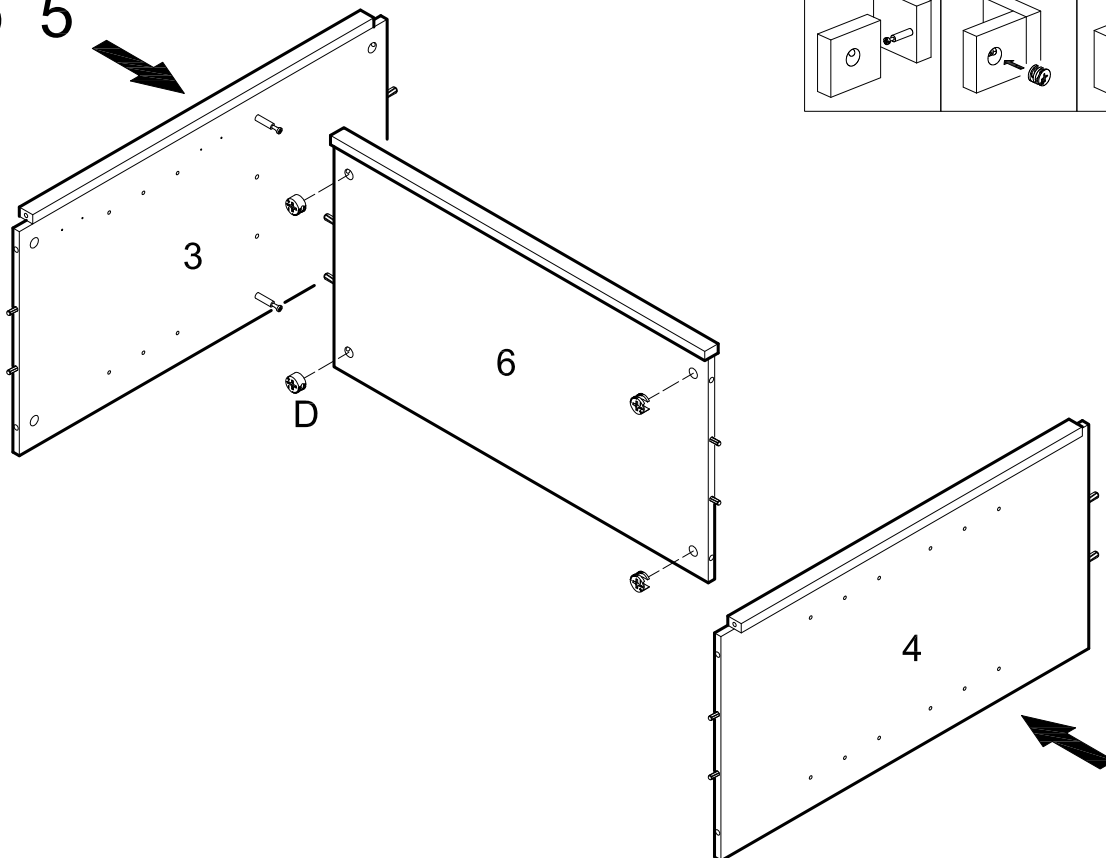
Screw cam bolts (C) into top panel (1).

Step 4



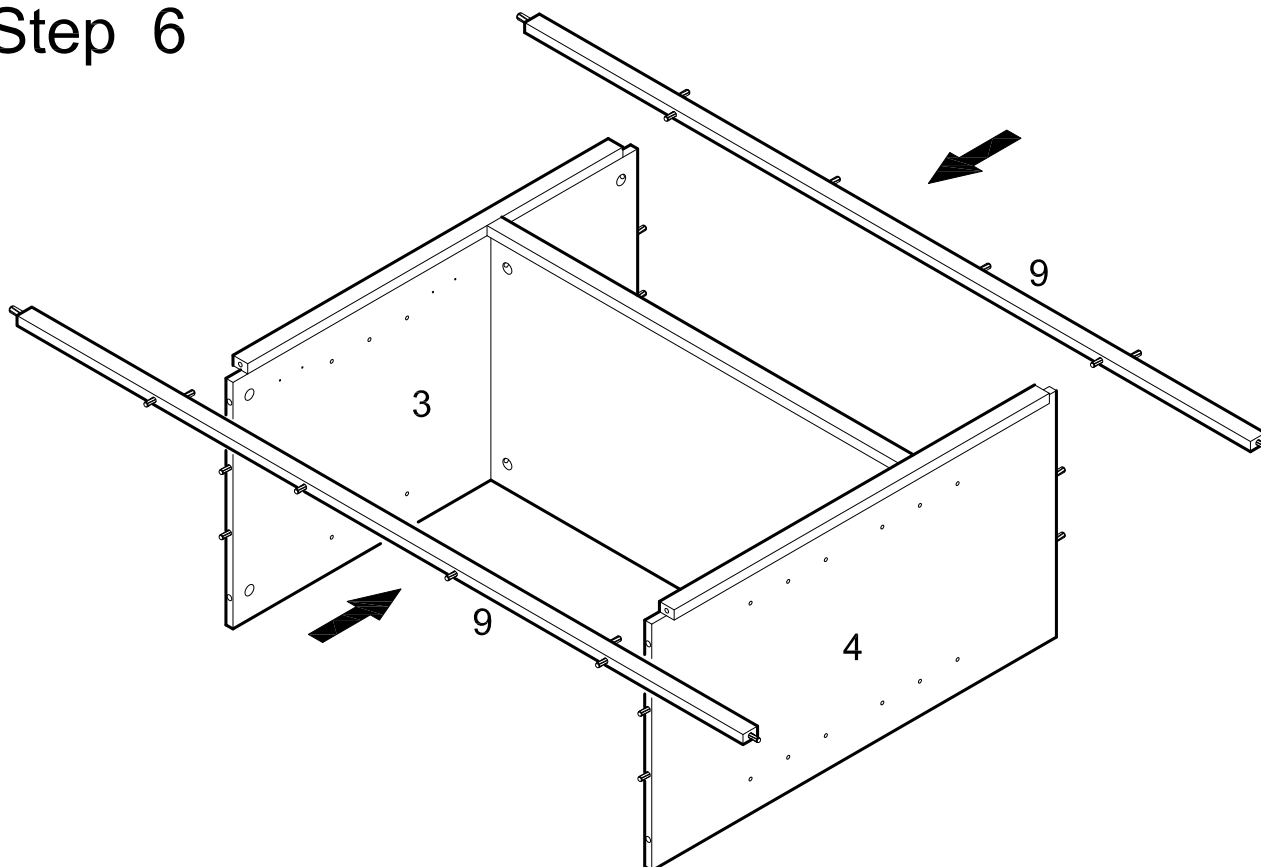
Screw cam bolts (C) into bottom panel (5).

Step 5



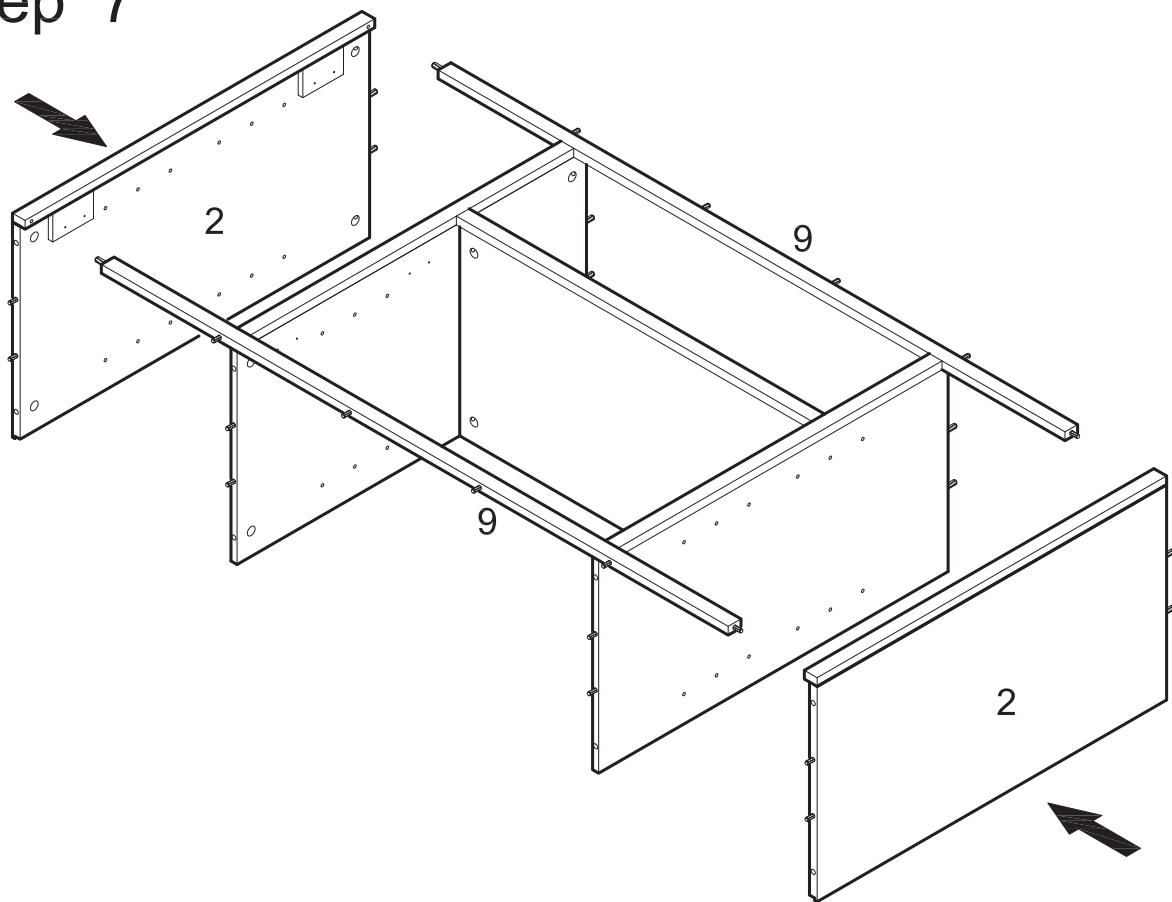
Attach panels (3,4) to panel (6) using cam bolts and dowels as guides. Secure panels (3,4) to panel (6) using cam locks (D). Tighten cam locks (D) with a screwdriver.

Step 6



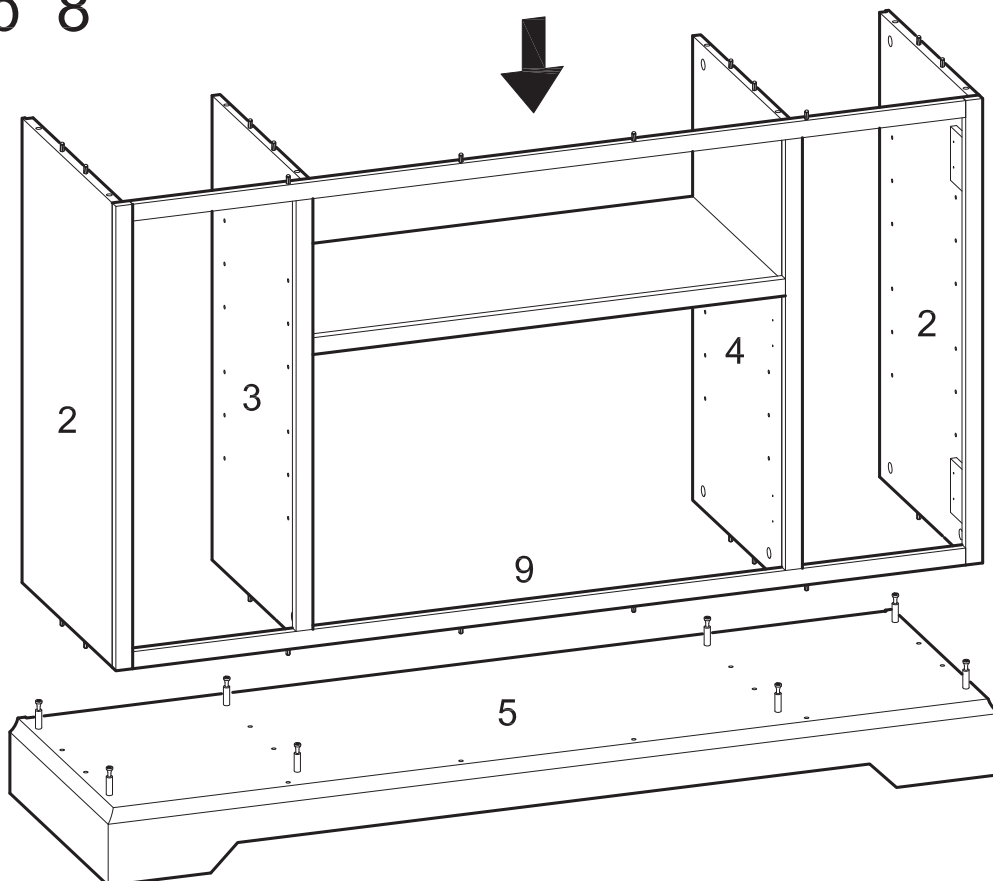
Attach slats (9) to panels (3,4) using cam bolts and dowels as guides.

Step 7



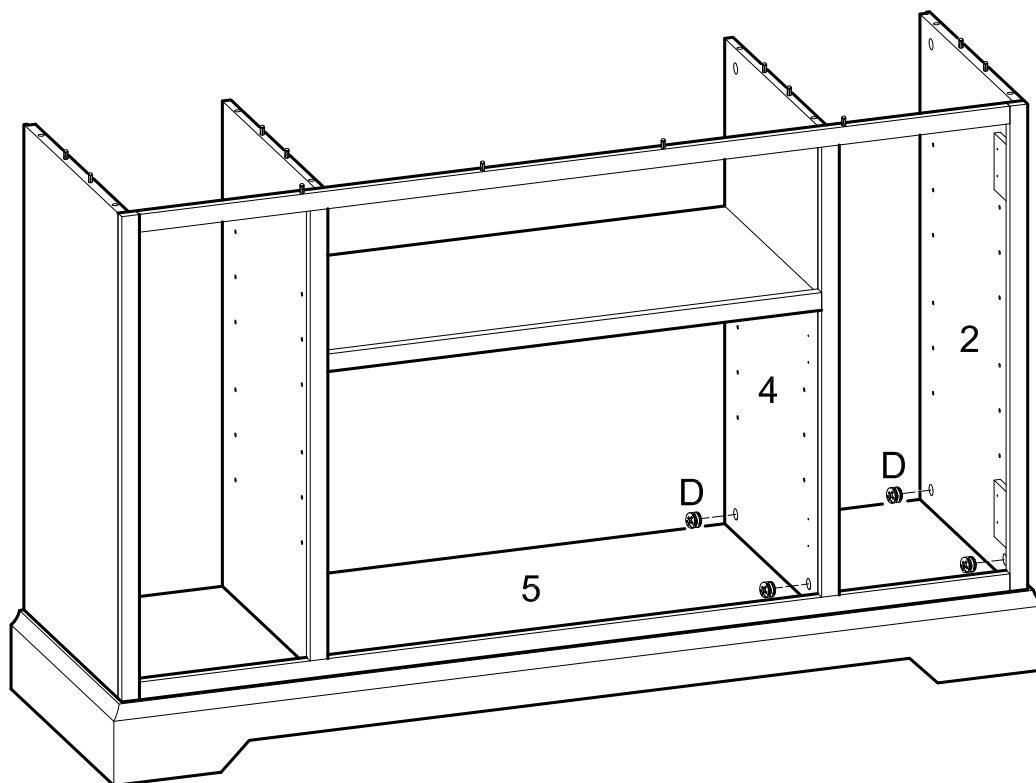
Attach panels (2) to slats (9) using dowels as guides.

Step 8



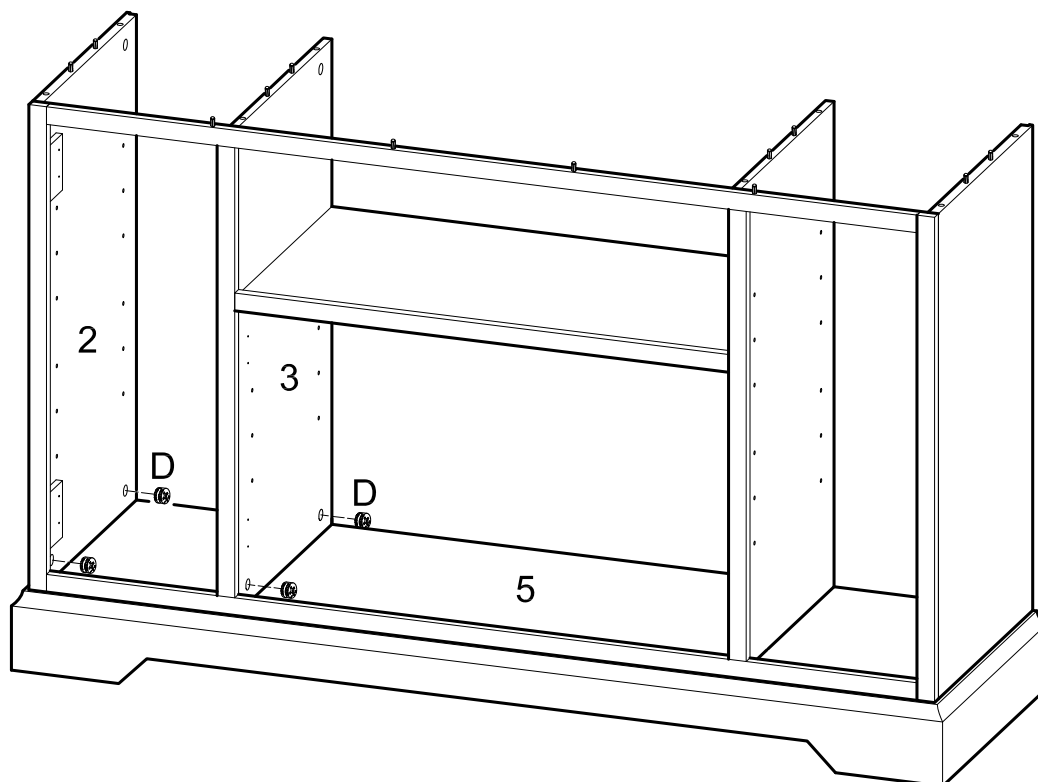
Attach the assembly from the previous step to bottom panel (5) using cam bolts and dowels as guides.

Step 9



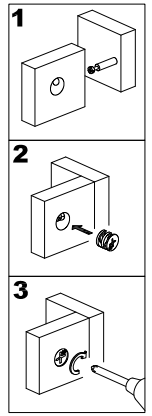
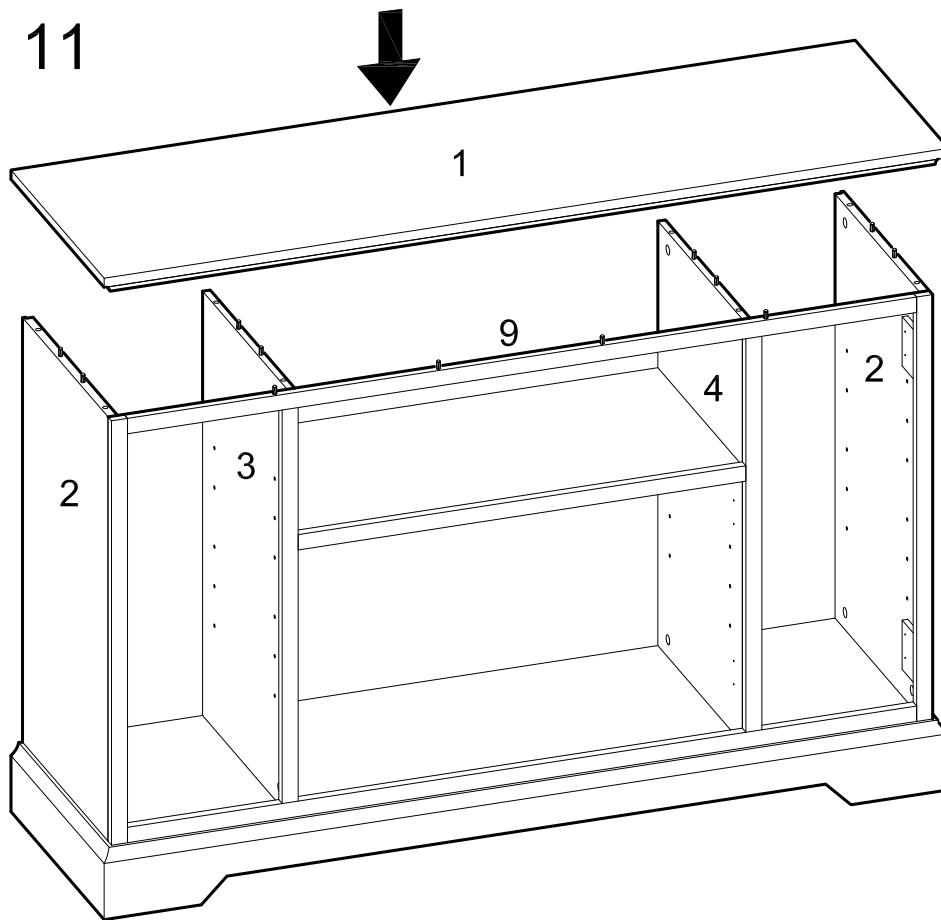
Secure panels (2,4) to bottom panel (5) using cam locks (D). Tighten cam locks (D) with a screwdriver.

Step 10



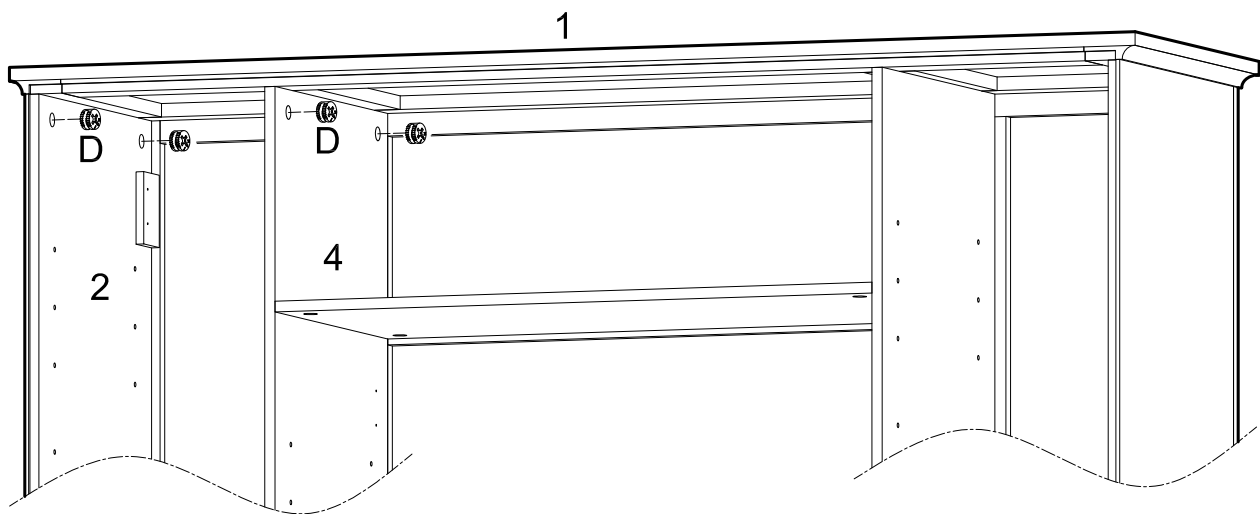
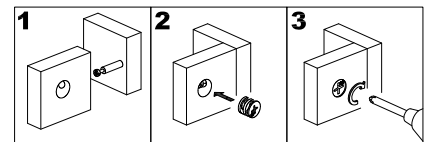
Secure panels (2,3) to bottom panel (5) using cam locks (D). Tighten cam locks (D) with a screwdriver.

Step 11



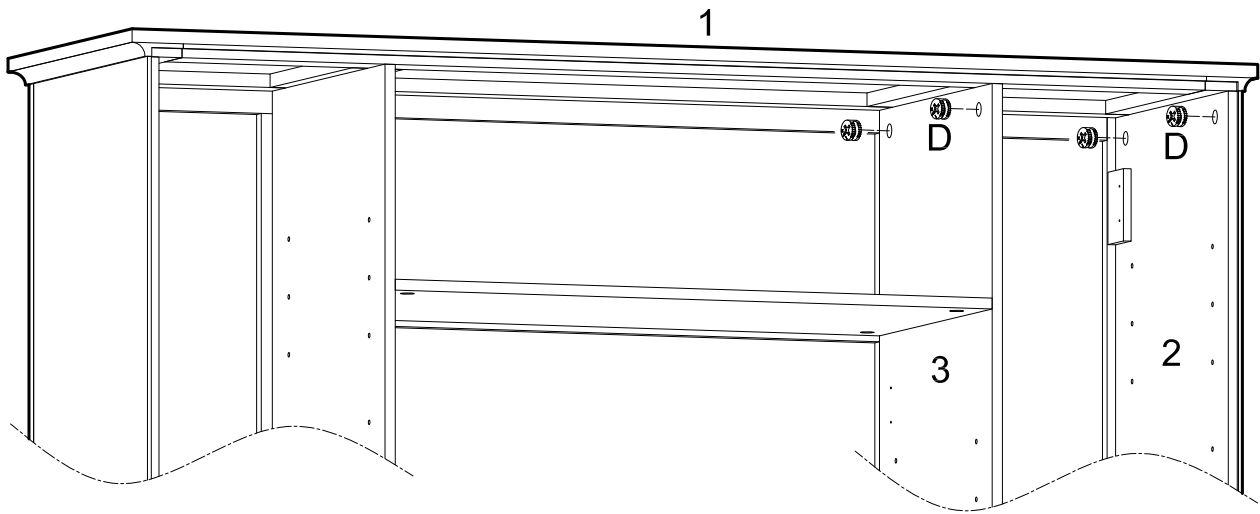
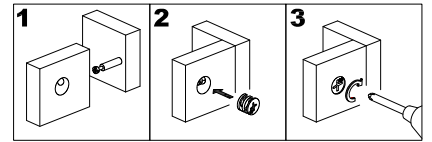
Carefully fit top panel (1) into place using cam bolts and dowels as guides.

Step 12



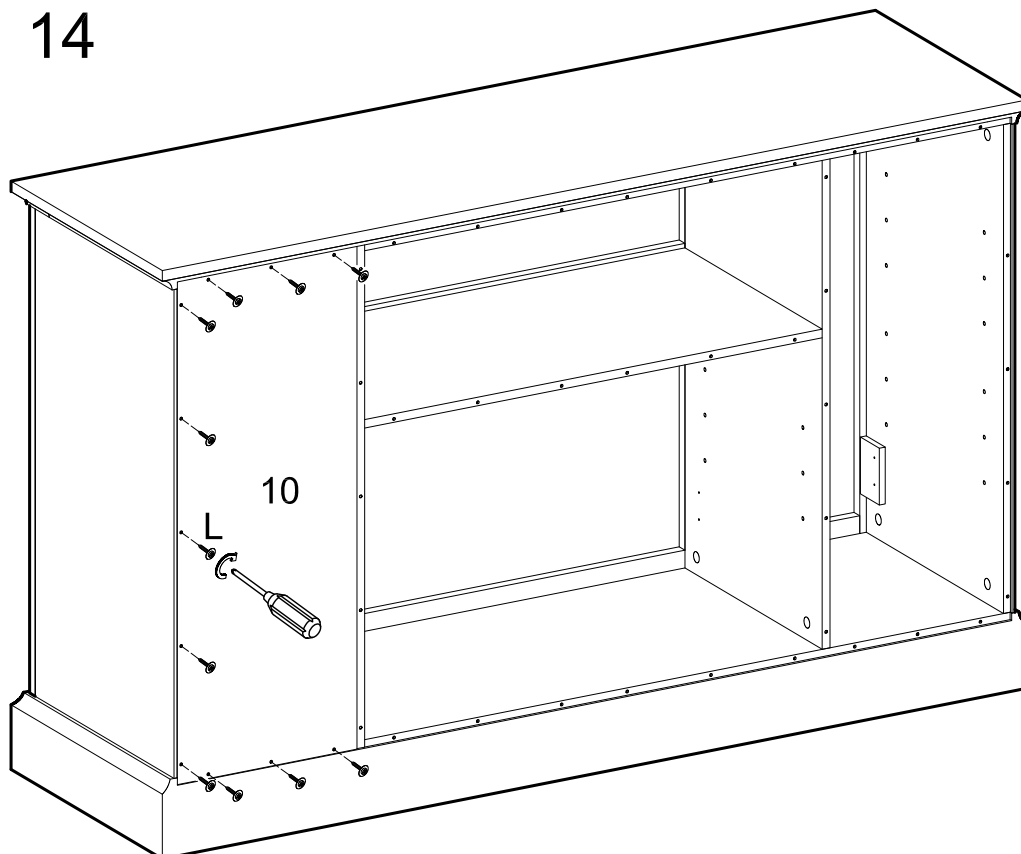
Secure top panel (1) to panels (2,4) using cam locks (D). Tighten cam locks (D) with a screwdriver.

Step 13



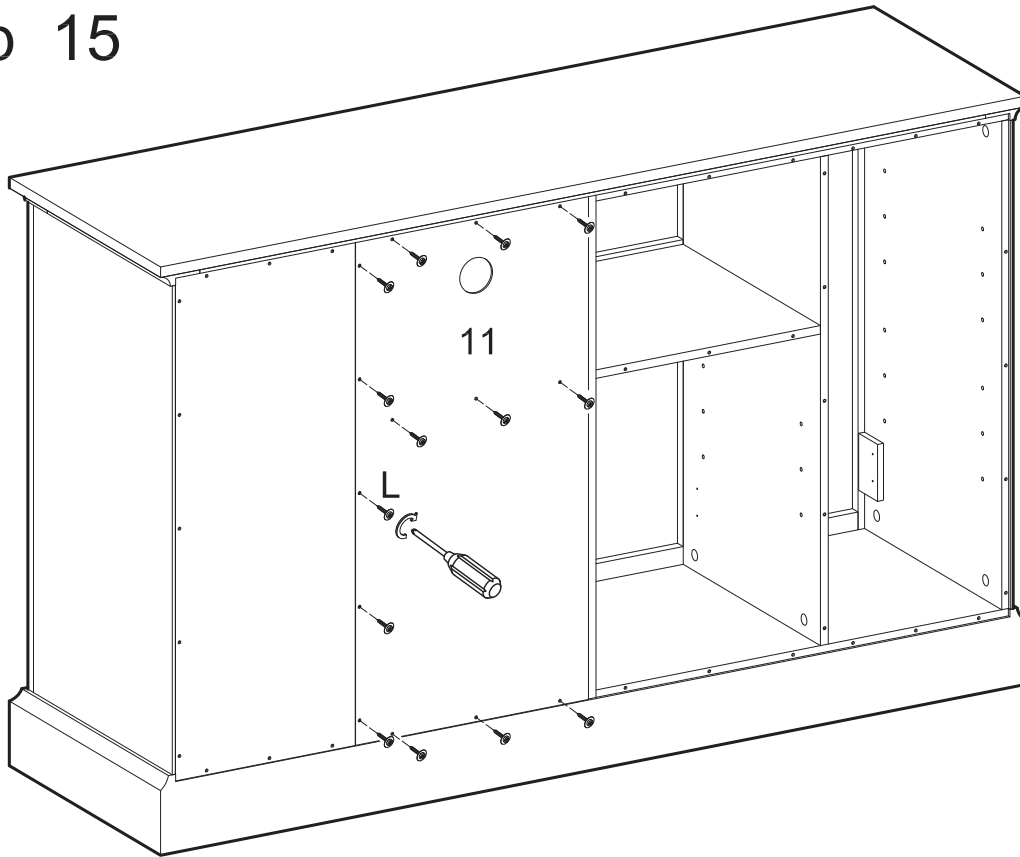
Secure top panel (1) to panels (2,3) using cam locks (D). Tighten cam locks (D) with a screwdriver.

Step 14



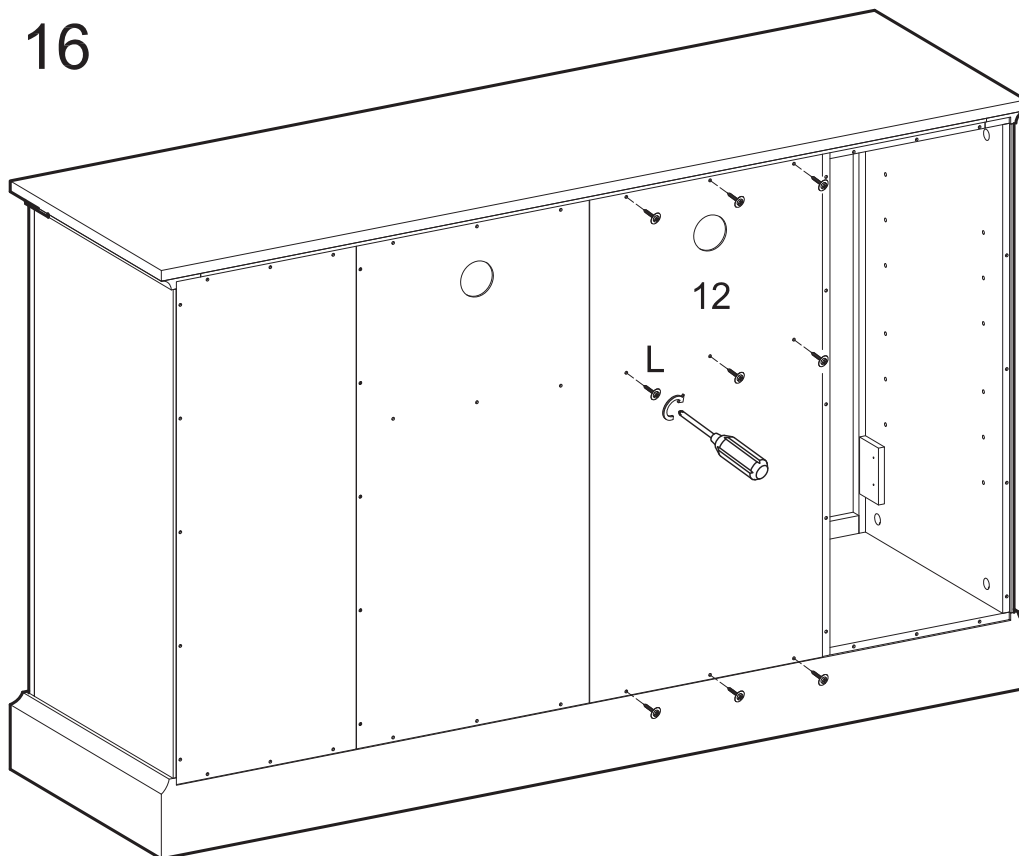
Attach panel (10) to the back of the console using screws (L).

Step 15



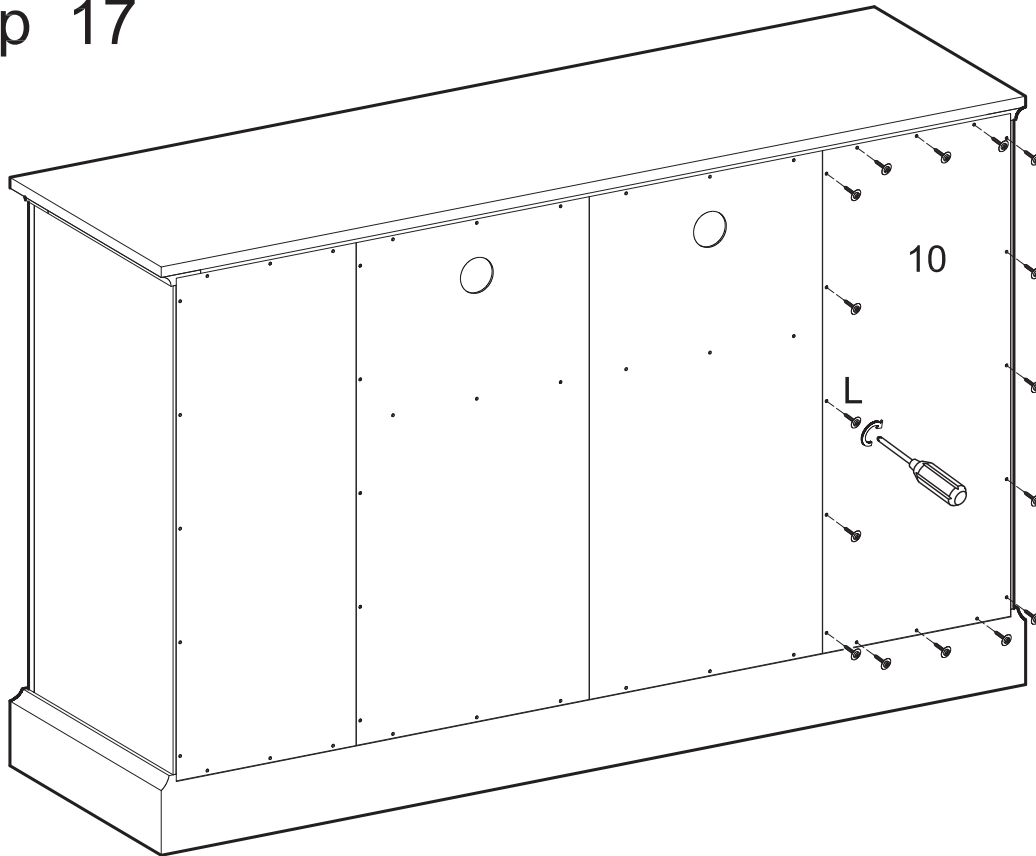
Attach panel (11) to the back of the console using screws (L).

Step 16



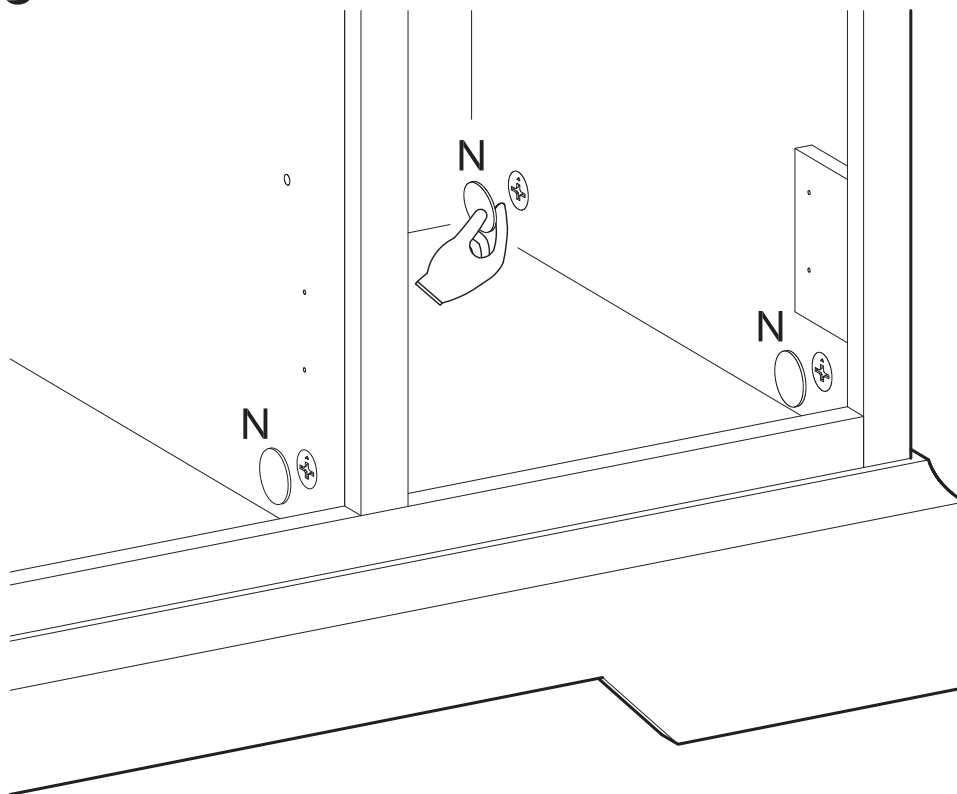
Attach panel (12) to the back of the console using screws (L).

Step 17



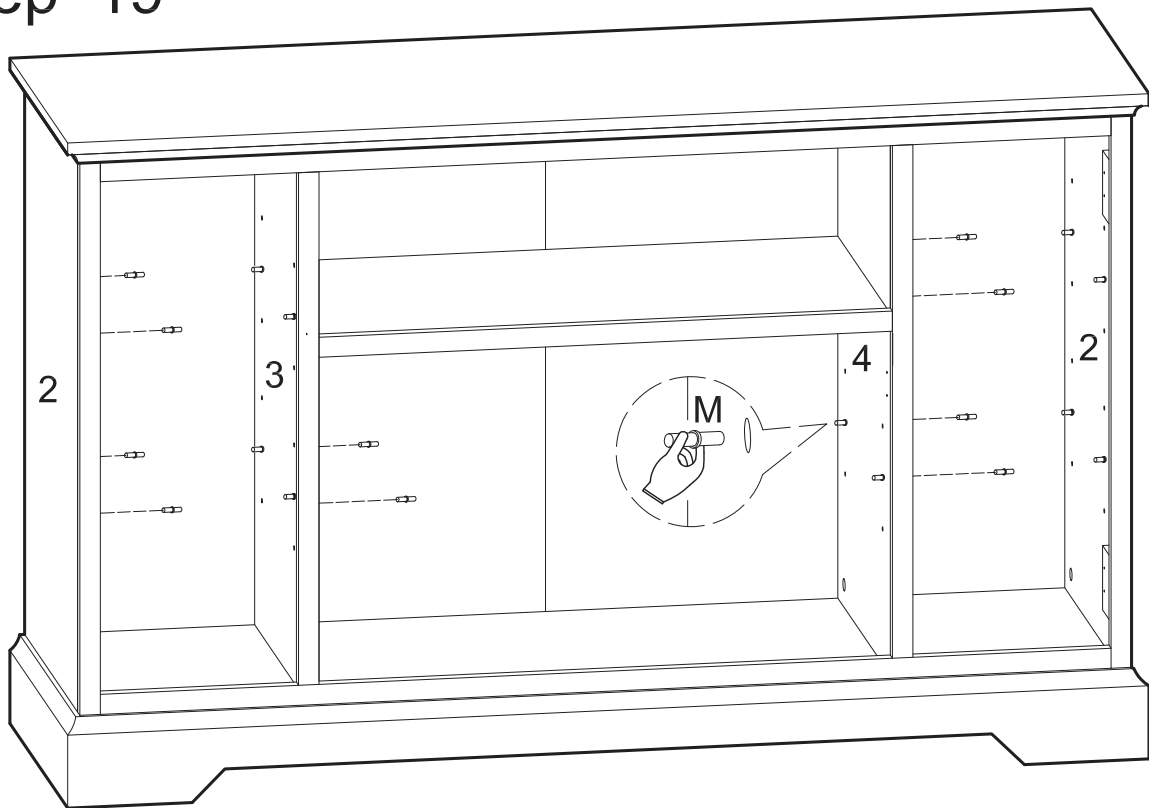
Attach second panel (10) to the back of the console using screws (L).

Step 18



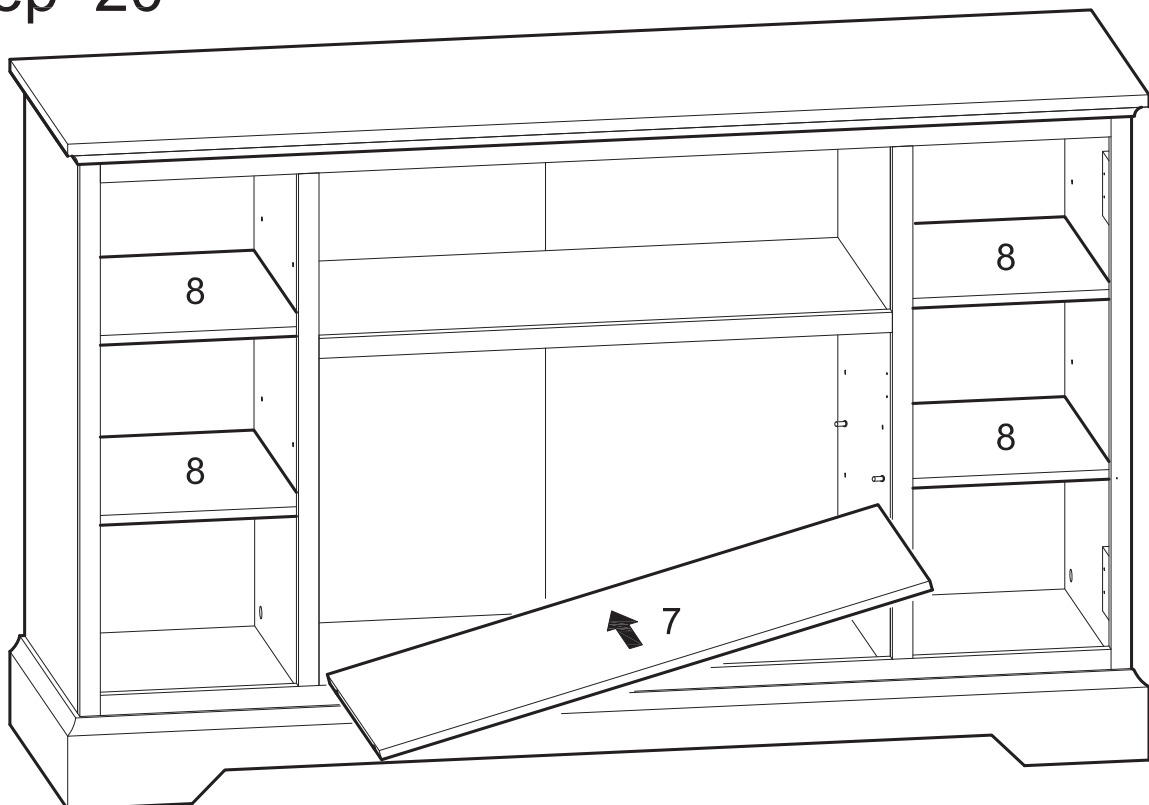
Cover all visible cam locks with stickers (N) as desired.

Step 19



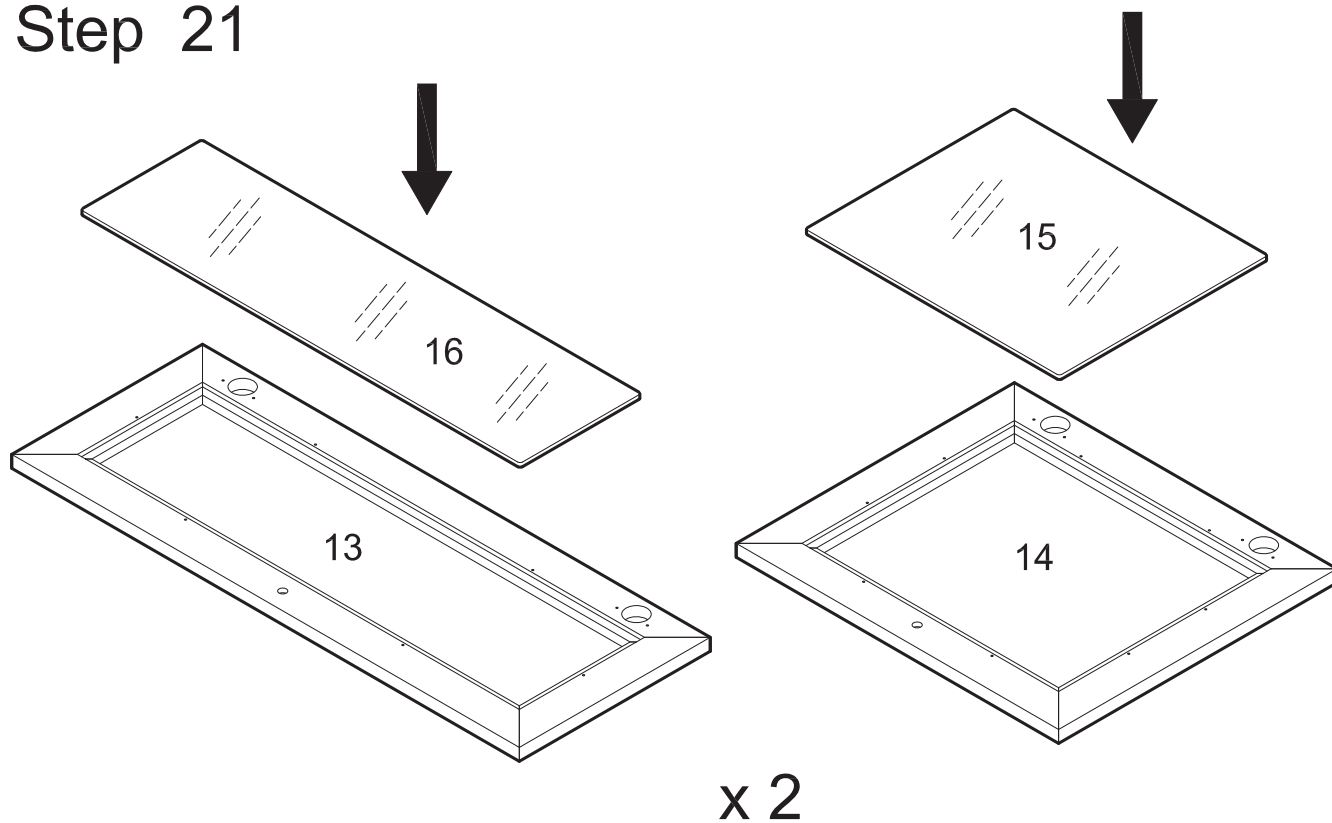
Insert shelf support pins (M) into panels (2,3,4) at desired shelf heights.

Step 20



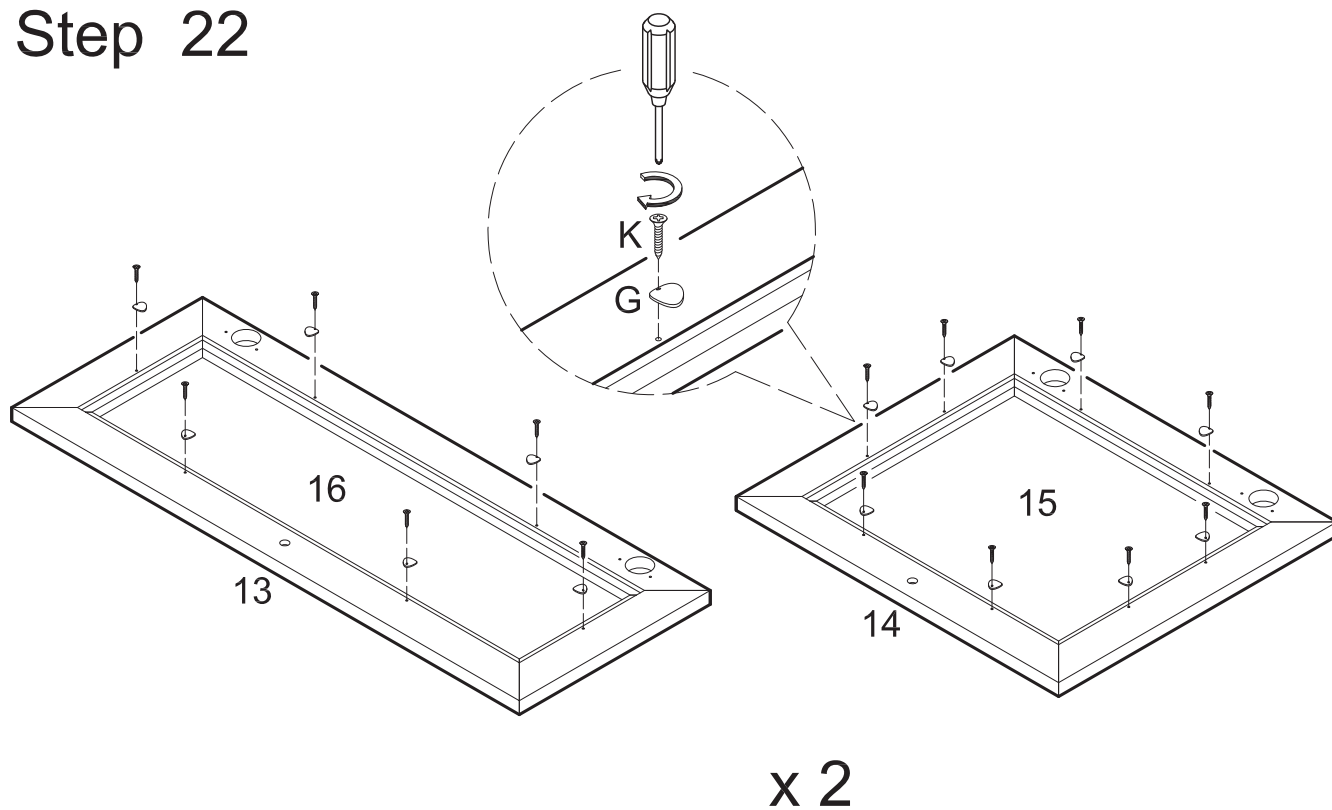
Carefully place shelves (7,8) in console. *Shelves (7,8) will rest on the shelf support pins.*

Step 21



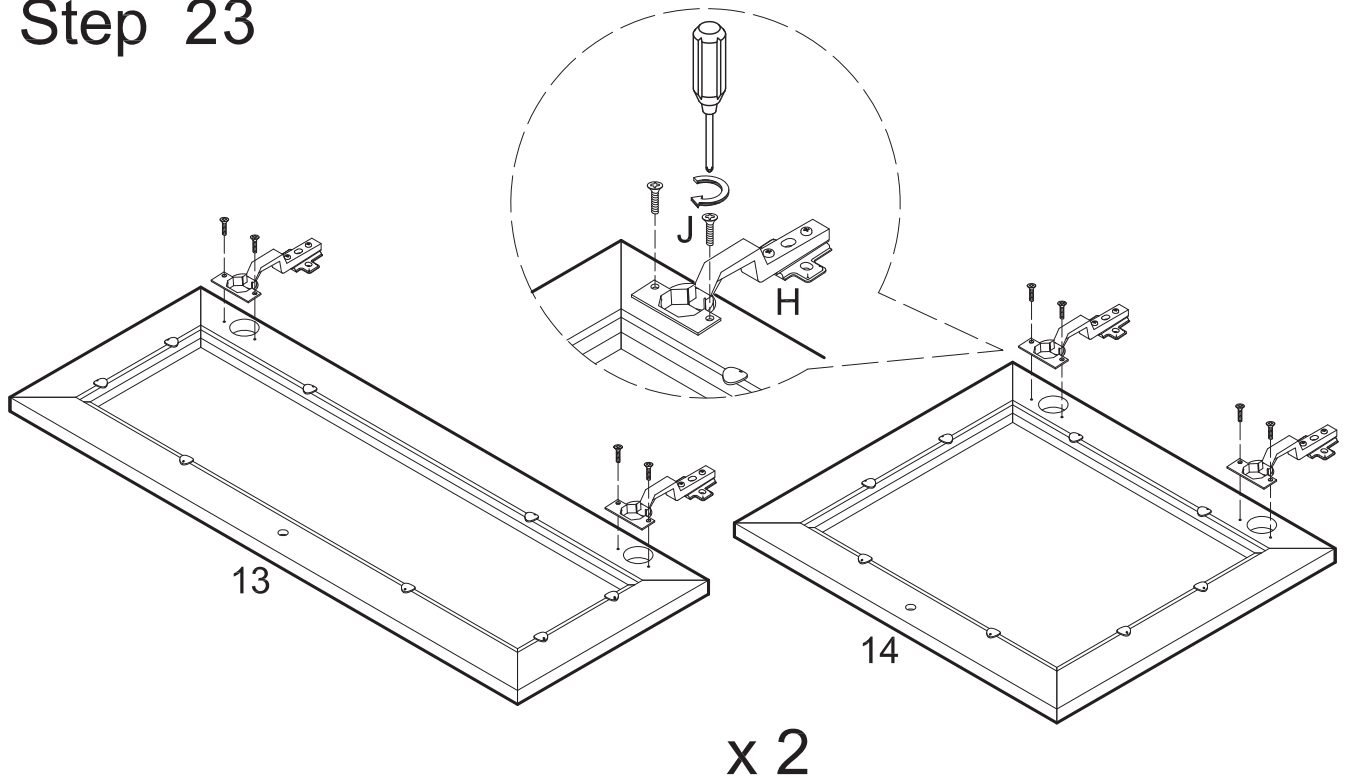
Carefully lay glass pane (16) into door (13) and glass pane (15) into door (14). Repeat this step for the second set of glass panes and doors.

Step 22



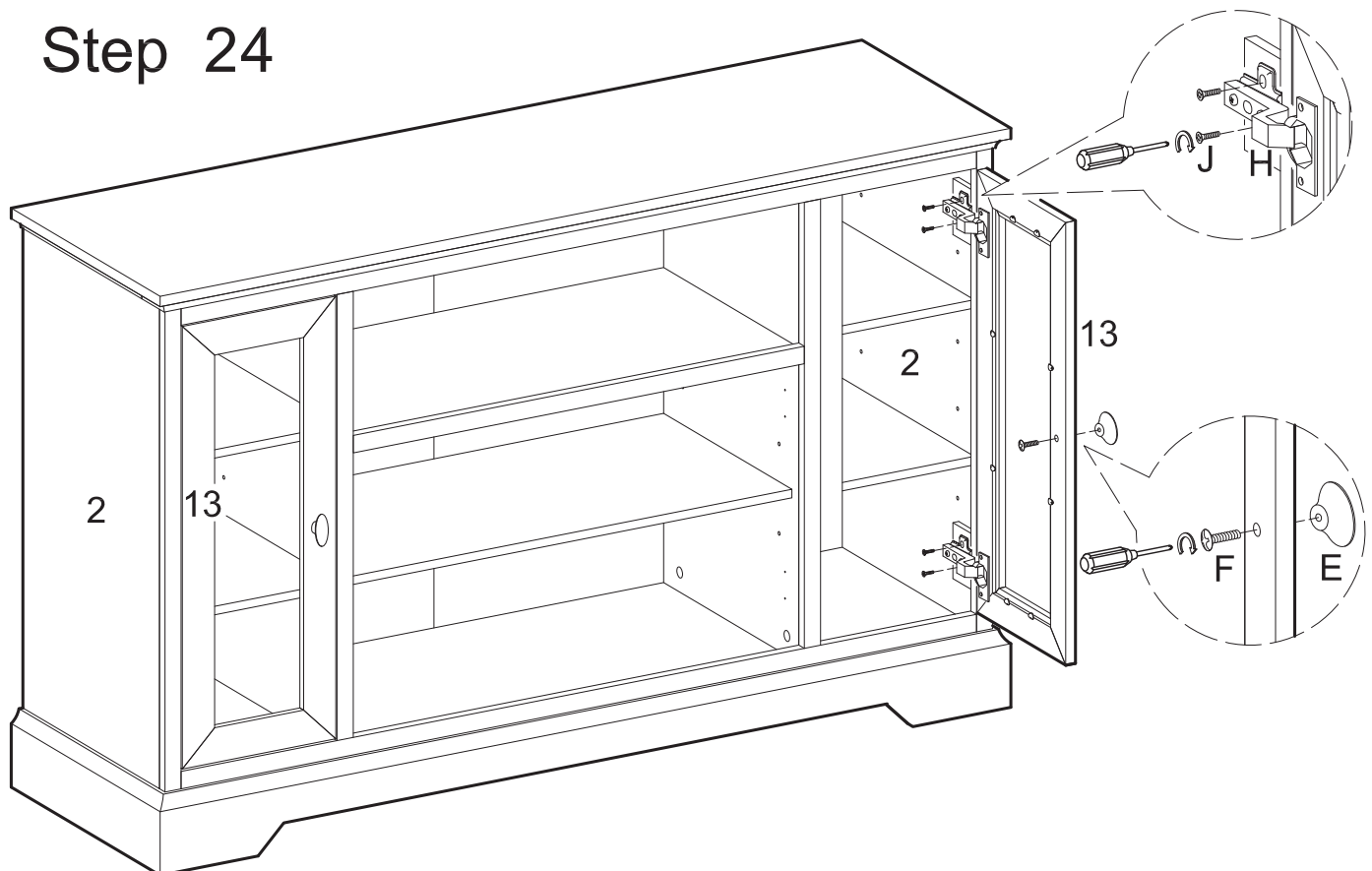
Secure glass pane (16) to door (13) and glass pane (15) to door (14) using metal washers (G) and screws (K). Repeat this step for the second set of glass panes and doors.

Step 23



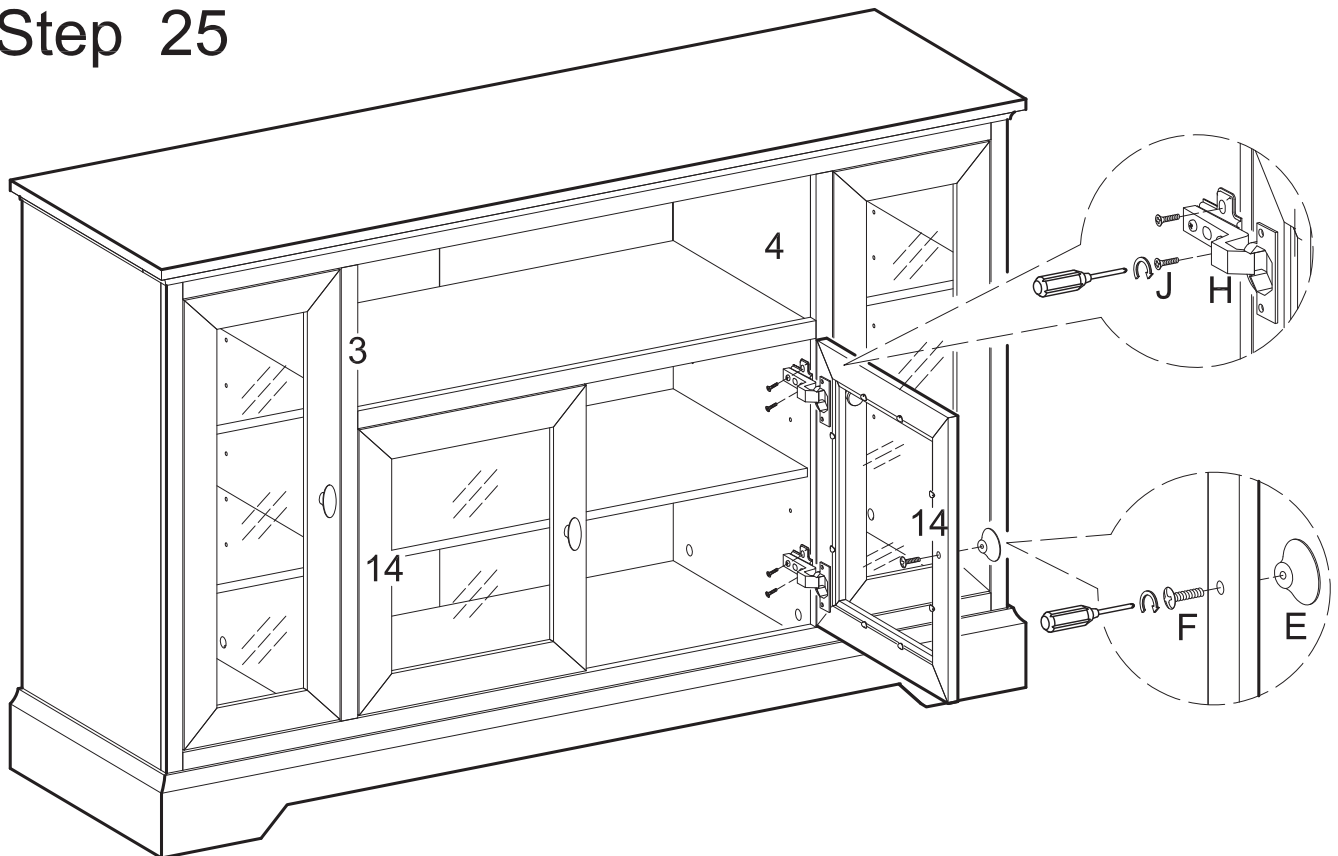
Attach hinges (H) to doors (13,14) using screws (J). Repeat this step for the second set of doors.

Step 24



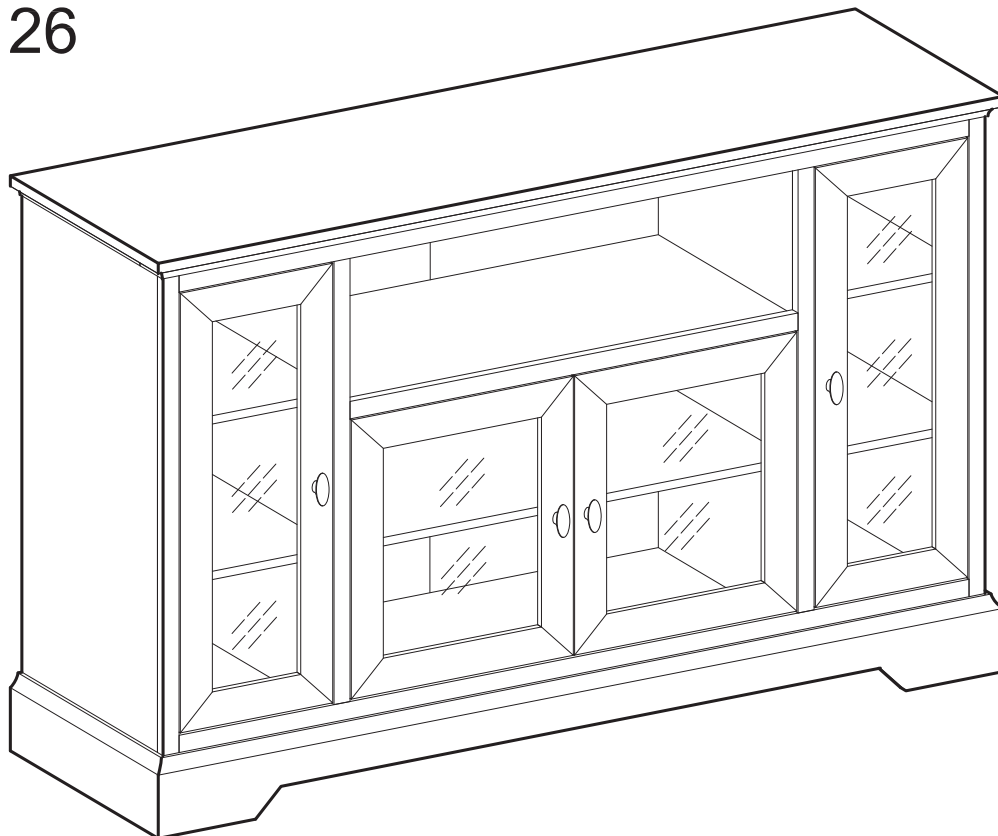
Attach doors (13) to panels (2) using screws (J) at hinges (H). See page 2 for specific instructions on how to adjust hinges so doors are aligned with console as desired. Attach handles (E) to doors (13) using bolts (F).

Step 25



Attach doors (14) to panels (3,4) using screws (J) at hinges (H). See page 2 for specific instructions on how to adjust hinges so doors are aligned with console as desired. Attach handles (E) to doors (14) using bolts (F).

Step 26



Final Assembly

Free Manuals Download Website

<http://myh66.com>

<http://usermanuals.us>

<http://www.somanuals.com>

<http://www.4manuals.cc>

<http://www.manual-lib.com>

<http://www.404manual.com>

<http://www.luxmanual.com>

<http://aubethermostatmanual.com>

Golf course search by state

<http://golfingnear.com>

Email search by domain

<http://emailbydomain.com>

Auto manuals search

<http://auto.somanuals.com>

TV manuals search

<http://tv.somanuals.com>