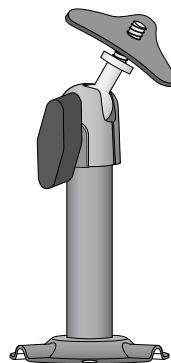


UDWC25 Accessory Camera User's Manual

What's in the Box



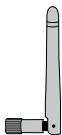
Weatherproof video camera



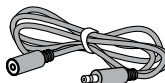
Camera stand



AC adapter



Antenna



Extension cord

If any items are missing or damaged, contact our Customer Care Line immediately. Never use damaged products!

Need Help? Get answers 24/7 at our website: www.uniden.com.

If You...	Contact Uniden's...	Phone Number
have a question or problem	Customer Care Line*	817-858-2929 or 800-297-1023
need a replacement part or accessory	Parts Department*	800-554-3988
need special help due to a disability	Accessibility Help Line	800-874-9314 (voice or TTY)

* During regular business hours, Central Standard Time. Visit our website for detailed business hours.

Important Safety Instructions!

This manual contains important information about this product's operation. If you are installing this product for others, you must leave this manual or a copy with the end user.

When using your equipment, always follow basic safety precautions to reduce the risk of fire, electric shock and injury to persons, including the following:

- ▶ This equipment is NOT waterproof. DO NOT expose it to rain or moisture.
- ▶ DO NOT immerse any part of the product in water. Do not use this product near water, e.g., near a bath tub, wash bowl, kitchen sink or laundry tub, in a wet basement or near a swimming pool.
- ▶ To avoid any risk of electric shock from lightning, avoid handling any electronic devices (except battery powered ones) during an electrical storm.
- ▶ Use only the power cord and/or batteries indicated in this manual. Never dispose of any batteries in a fire: they may explode. Check with local codes for possible special disposal instructions.
- ▶ Never tug or pull on any power cord: be sure to leave some slack in the cord when placing your equipment, and always use the plug to unplug cord from the wall outlet.
- ▶ Never leave power cords where they can become crushed, cut, or frayed; when running power cords, avoid letting them rub against any sharp edges or lie across any high traffic areas where people might trip over them.
- ▶ Do not use the device if the adapter cords or plugs have been damaged, the unit has been exposed to liquids, or the unit has been dropped or is damaged.

Warnings to Parents and Other Users

Failure to follow these warnings and the assembly instructions could result in serious injury or death. This product is not designed or intended for use as a medical monitor, nor should this product be used as a substitution for medial or parental supervision. Always be sure that both the transmitter and receiver are working properly and are within range of each other.

- ▶ **STRANGULATION HAZARD.** Keep the adapter cords out of the reach of children.
- ▶ **WARNING: KEEP OUT OF THE REACH OF CHILDREN.** This product is not a toy and is not intended for use by any children under the age of 13. If you are between the ages of 13 and 18, review these terms, conditions and safety warnings with your parents or guardian to make sure that you and your parent or guardian understand these terms, conditions, and safety warnings.

- ▶ Allow for proper ventilation when units are in use. Do not cover the camera or receiver with any object such as a blanket. Do not place it in a drawer or in any location which would muffle the sound or interfere with the normal flow of air.

SAVE THESE INSTRUCTIONS!

For best results:

To avoid damage to your equipment, follow these simple precautions:

- ▶ Do not drop, puncture or disassemble any part of the equipment. There are no user-serviceable parts inside.
- ▶ Do not expose the equipment to high temperatures, and avoid leaving the equipment in direct sunlight for more than a few minutes. Heat can damage the case or electrical parts.
- ▶ Do not place heavy items on top of the equipment or expose the equipment to heavy pressure.
- ▶ Remove the power adapter during long periods between usages.
- ▶ Clean only with a dry cloth.

Failure to follow the instructions in this operating manual will void the warranty. Uniden assumes no liability for damages to property or injury to persons caused by improper handling or failure to comply with these safety instructions.

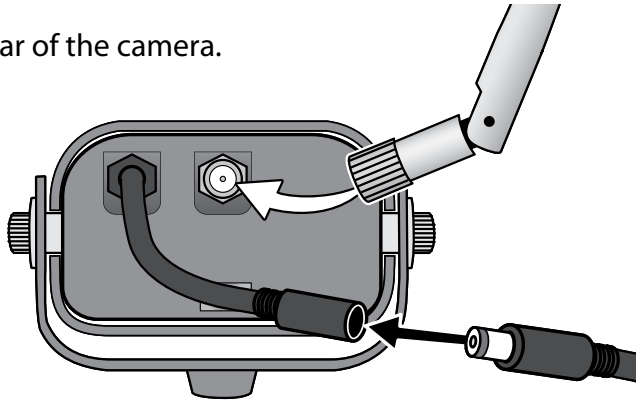
Contents

Important Safety Instructions!.....	2	Adjusting the Sun Shield.....	7	IC Compliance Information.....	11
Warnings to Parents and Other Users	2	Pairing Cameras.....	8	Radio Equipment Notice	11
For best results:	3	Additional Information	9	CE Compliance Information.....	11
Getting Started	4	Product Specifications.....	9	One-year Limited Warranty	11
Connecting the Power.....	4	Recycling and Disposal Information.....	10		
Getting to Know the Camera	4	FCC Compliance Information.....	10		
What the lights mean.....	5	Part 15 Compliance Statement.....	10		
Using the Camera Stand.....	5	RF Exposure Information	11		
Switch the bracket	5				
Mount the stand	6				
Attach the camera.....	7				

Getting Started

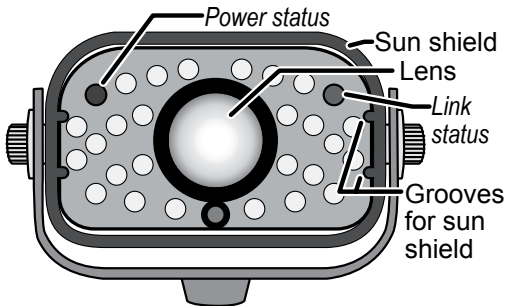
Connecting the Power

1. Attach the antenna to the rear of the camera.
2. Connect one end of the AC adapter to the camera's power input pigtail and the other end to a 120 volt AC (standard indoor) power outlet. (If necessary, connect the extension cord to the camera's pigtail and connect the AC adapter to the extension cord.)
3. Make sure the *Power status* light turns on. If it doesn't, try reconnecting the AC adapter, and make sure the power outlet isn't controlled by a wall switch.

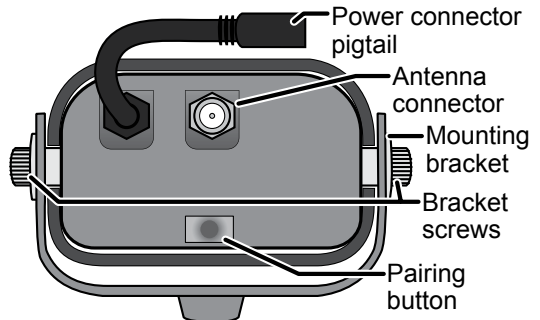


Getting to Know the Camera

Front view



Back view



What the lights mean

Light	State	What it means
Power status	On	The camera is on.
	Off	The camera is off.
Link status	Flashing	The camera is in pairing mode.
	Orange	The camera is connected to the receiver.
	Off	The camera is in standby.

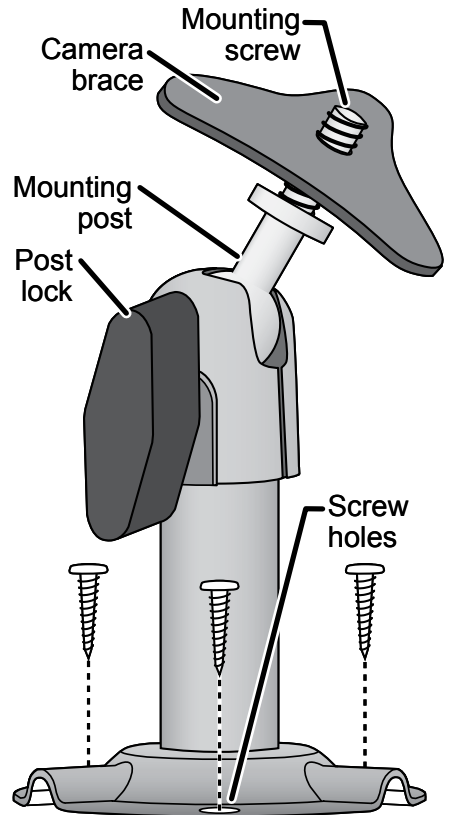
Using the Camera Stand

You can mount the camera with the stand on the bottom (on a wall or table-top) or on the top (on the ceiling). When you are positioning the camera, you might want to bring the receiver along; it's much easier to get the camera into the right position when you have the display handy.

Switch the bracket

If you want to mount the camera in a hanging position, you'll need to flip the bracket to the top of the camera:

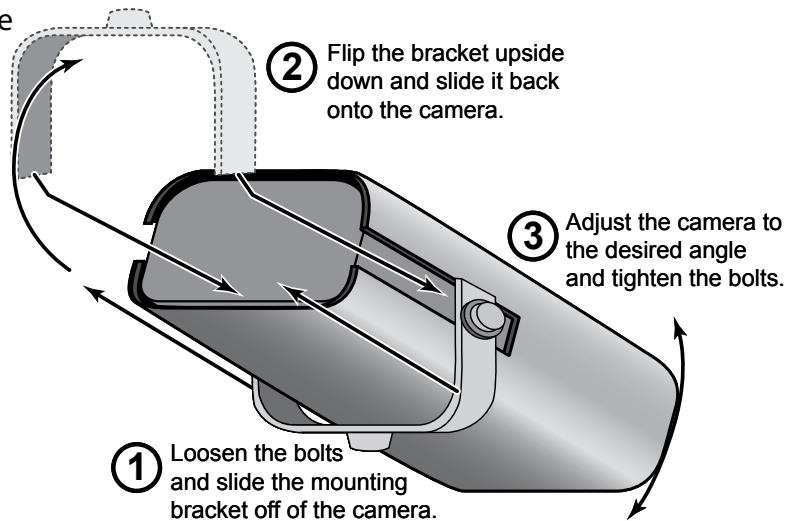
1. Loosen the bolts on the side of the mounting bracket.



2. Carefully slide the bracket off of the camera and sun shield.

3. Rotate the bracket 180° and slide it back onto the camera.

4. If necessary, adjust the camera angle, then tighten the bolts.

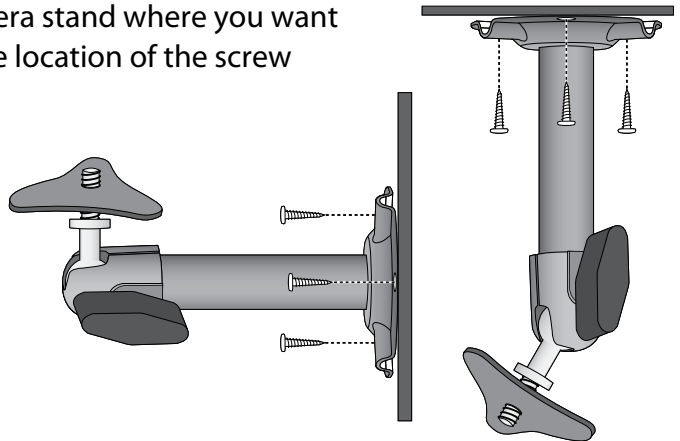


Mount the stand

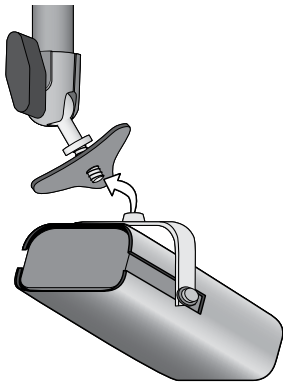
1. Hold the base of the camera stand where you want to mount it, and mark the location of the screw holes.

2. Use the included screws and anchors to attach the base to the wall or ceiling.

3. Before attaching the camera, tug gently on the stand to make sure it is securely in place.



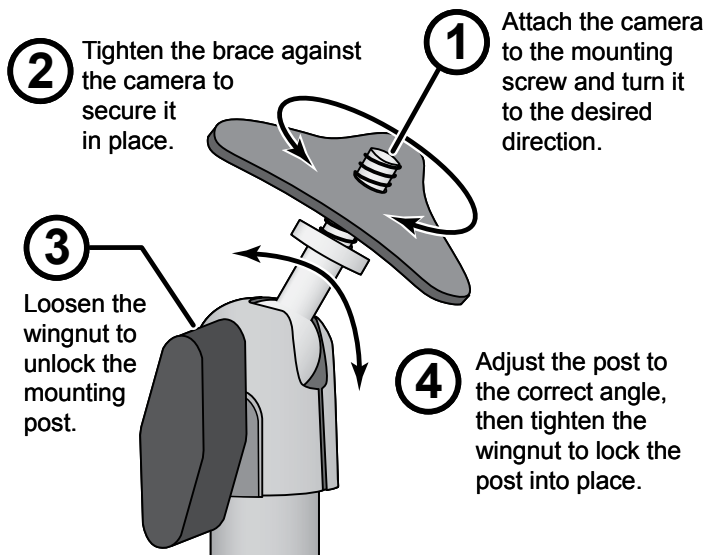
Attach the camera



1. Attach the camera bracket to the mounting screw.

Tighten it a few turns, then turn the camera to face the direction you want.

2. Tighten the camera brace up against the bracket to secure it into place.
3. Unlock the mounting post by turning the wingnut to the left a few turns.
4. Set the mounting post to the correct angle, then tighten the wingnut until the post is locked into place.



Adjusting the Sun Shield

If there is too much glare in the camera, you can move the sun shield forward to provide more shade for the lens. If the top of the picture is cut off, try moving the sun shield back.

To adjust the sun shield, loosen the bolts on the side of the mounting bracket (see page 7). Slide the sun shield forward or back, then check the picture in the receiver display. When the picture is satisfactory, tighten the bolts again.

Pairing Cameras

Before you can use the camera, you'll to "introducing" or pair it to the receiver so they can communicate. You might also perform the pairing procedure if you are having trouble with a camera.

1. Make sure the camera is powered on.
2. On the receiver, select the channel you want to pair this camera to, and put the receiver into pairing mode. (This process is slightly different on each receiver. See the manual that came with your receiver for instructions.)
3. On the camera, press the pairing button to put the camera into pairing mode.
4. Switch the receiver to this camera's channel, and verify that the camera's video signal appears on the correct channel. (You might have to enable the new channel first.)

For more information about pairing a camera to your receiver, see the manual that came with your receiver.

If...	Try...
the receiver's signal status icon shows no bars or the display says <i>No Signal</i>	<ul style="list-style-type: none">- making sure the camera is turned on- making sure the camera is paired to the correct channel- re-pairing the camera and receiver
the signal status icon shows one or two bars or the video quality is poor	see the manual that came with your receiver for tips on improving video quality
there is a lot of static on the receiver	see the manual that came with your receiver for tips on improving video quality

Additional Information

Product Specifications

Radio Frequency Transceiver	
RF Frequency	2402 Mhz ~ 2483.5 Mhz
Modulation	GFSK
Spread spectrum	Frequency Hopping
Anti Interference	Clean Channel Dynamic Select
Data rate	2 Mbps
Channel bandwidth	2 MHz
Transmitting range	200 meters/600 feet in an open area (line of sight)

Image Specification	
Output Image resolution	640 x 480 (VGA)/ 320 x 240 (QVGA)
Image processing	Motion JPEG
Exposure	Auto
White balance	Auto

Camera Specifications	
Weight	240 g
Dimension	175 x 64 x 42 mm
Operating temperature	-10° C (+14° F) to +50° C (122° F)
Input voltage	100-240 V AC @ 60 or 50 Hz
Operating voltage	5 V DC @ 1 Amp
Low light solution	24 IR LEDs, 1 Low light sensor
Low light sensitivity	1-8 lux
Picture sensor	OV7725 1/4' Color CMOS
Lens	F3.6mm H:53 V:40

Recycling and Disposal Information

- ▶ Do not dispose of electronic devices or any of their components (especially batteries and LCD displays) in your municipal trash collection.
- ▶ Consult your local waste management authority or a recycling organization like Earth911.com to find an electronics recycling facility in your area.
- ▶ If you are unable to locate proper recycling facilities in your area, please return this product to Uniden for recycling.

FCC Compliance Information

Part 15 Compliance Statement

This device complies with Part 15 of the FCC Rules. Operation is subjected to the following two conditions: (1) this device may not cause harmful interference, and (2) this device must accept any interference received, including interference that may cause undesired operation.

This equipment has been tested and found to comply with limits for a Class B digital device, pursuant to Part 15 of the FCC rules and ETSI (EN) 300328. These limits are designed to provide reasonable protection against harmful interference in residential installations. This equipment generates, uses, and can radiate radio frequency energy, and if not installed and used in accordance with the instructions, may cause harmful interference to radio communications.

However, there is no guarantee that interference will not occur in a particular installation. If this equipment does cause interference to radio or television equipment reception, which can be determined by turning the equipment off and on, the user is encouraged to try to correct the interference by one or more of the following measures:

- ▶ Reorient or relocate the receiving antenna.
- ▶ Move the equipment away from the receiver.
- ▶ Plug the equipment into an outlet on a circuit different from that to which the receiver is connected.
- ▶ Consult the dealer or an experienced radio/television technician for additional suggestions.

CAUTION! Any changes or modifications to this equipment not expressly approved by the party responsible for compliance could void your authority to operate the equipment.

RF Exposure Information

The antenna used for this transmitter must be installed to provide a separation distance of at least 20 cm (7.9") from all persons and must not be collocated or operating in conjunction with any other antenna or transmitter.

IC Compliance Information

Radio Equipment Notice

The term "IC:" before the radio certification number only signifies that Industry Canada technical specifications were met. Operation is subject to the following two conditions: (1) this device may not cause interference, and (2) this device must accept any interference, including interference that may cause undesired operation of the device. "Privacy of communications may not be ensured when using this device".

CE Compliance Information

Products with CE Marking comply with EMC Directive (2004/108/EC); Low Voltage Directive (73/23/EEC); R&TTE(1999/5/EC) issued by the Commission of the European Community. Compliance with these directives implies conformity to the following European Norms:

- ▶ EMC: EN 301 489
- ▶ LVD: EN 60950
- ▶ Radio: EN 300 328

One-year Limited Warranty

Important: Evidence of original purchase is required for warranty service.

WARRANTOR: UNIDEN AMERICA CORPORATION ("Uniden") ELEMENTS OF WARRANTY: Uniden warrants, for one year, to the original retail owner, this Uniden Product to be free from defects in materials & craftsmanship with only the limitations or exclusions set out below.

WARRANTY DURATION: This warranty to the original user shall terminate & be of no further effect 12 months after the date of original retail sale. The warranty is invalid if the Product is (A) damaged or not maintained as reasonable or necessary, (B) modified, altered, or used as part of any conversion kits, subassemblies, or any configurations not sold by Uniden, (C) improperly installed, (D) serviced or repaired by someone other than an authorized Uniden service center for a defect or malfunction covered by this warranty, (E) used in

any conjunction with equipment or parts or as part of any system not manufactured by Uniden, or (F) installed or programmed by anyone other than as detailed by the owner's manual for this product.

STATEMENT OF REMEDY: In the event that the product does not conform to this warranty at any time while this warranty is in effect, warrantor will either, at its option, repair or replace the defective unit & return it to you without charge for parts, service, or any other cost (except shipping & handling) incurred by warrantor or its representatives in connection with the performance of this warranty. Warrantor, at its option, may replace the unit with a new or refurbished unit.

THE LIMITED WARRANTY SET FORTH ABOVE IS THE SOLE & ENTIRE WARRANTY PERTAINING TO THE PRODUCT & IS IN LIEU OF & EXCLUDES ALL OTHER WARRANTIES OF ANY NATURE WHATSOEVER, WHETHER EXPRESS, IMPLIED OR ARISING BY OPERATION OF LAW, INCLUDING, BUT NOT LIMITED TO ANY IMPLIED WARRANTIES OF MERCHANTABILITY OR FITNESS FOR A PARTICULAR PURPOSE. THIS WARRANTY DOES NOT COVER OR PROVIDE FOR THE REIMBURSEMENT OR PAYMENT OF INCIDENTAL OR CONSEQUENTIAL DAMAGES. Some states do not allow this exclusion or limitation of incidental or consequential damages so the above limitation or exclusion may not apply to you.

LEGAL REMEDIES: This warranty gives you specific legal rights, & you may also have other rights which vary from state to state. This warranty is void outside the United States of America & Canada.

PROCEDURE FOR OBTAINING PERFORMANCE OF WARRANTY: If, after following the instructions in the owner's manual you are certain that the Product is defective, pack the Product carefully (preferably in its original packaging). Disconnect the battery from the Product & separately secure the battery in its own separate packaging within the shipping carton. The Product should include all parts & accessories originally packaged with the Product. Include evidence of original purchase & a note describing the defect that has caused you to return it. The Product should be shipped freight prepaid, by traceable means, to warrantor at:

Uniden America Service
4700 Amon Carter Blvd.
Fort Worth, TX 76155

Free Manuals Download Website

<http://myh66.com>

<http://usermanuals.us>

<http://www.somanuals.com>

<http://www.4manuals.cc>

<http://www.manual-lib.com>

<http://www.404manual.com>

<http://www.luxmanual.com>

<http://aubethermostatmanual.com>

Golf course search by state

<http://golfingnear.com>

Email search by domain

<http://emailbydomain.com>

Auto manuals search

<http://auto.somanuals.com>

TV manuals search

<http://tv.somanuals.com>