



DV36/39 STKP and CBTK Bay Front Kits Installation Instructions

Please read these instructions before beginning assembly.

Caution

Porcelain enamel is fragile. The finish can be easily damaged if castings are not handled carefully. Always place castings on a protective surface, such as a towel, blanket or carpet.

Carefully unpack the Front Face components and inspect for damage. Report missing or damaged parts to your dealer immediately.

Kit Contents

- Upper Grille Assy.
- Window Assy.
- Hanger Brackets, 2
- Knob Ext., Philostat
- Knob, Off/On Ext. SIT#916.188
- Knob, HI/LO Ext., SIT#916.189
- #10 x 1/2" sheet metal screws, 2
- Ceramic Refractory, 2
- Base Grille Assy.
- Base Trim Piece
- Knob Ext., Hi/Lo
- Knob Ext., Piezo

You will need a Phillips screwdriver to install the front. The fireplace installation should be complete and inspected. Any surround and trim assemblies should also be installed before setting the front face in position.

Installation

1. Remove the upper louvre section from the DV firebox front.
2. Fasten the two top brackets at the existing holes in the upper inside lip of the firebox. Use the left hole on the left bracket and the right hole on the right bracket. (Fig. 1)
3. Place two (2) ceramic refractory pieces into window assembly. (Fig. 2) **CAUTION:** The ceramic refractory pieces are very fragile, handle with care!

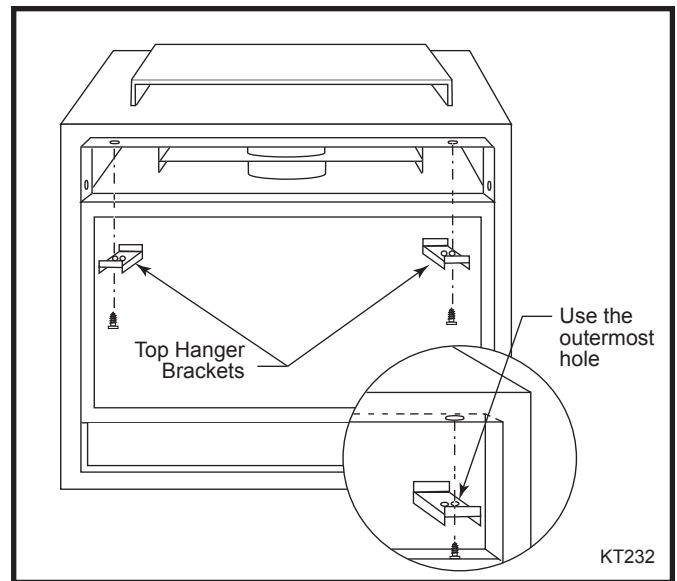


Fig. 1 Be sure that each of the steel brackets is securely attached to the fireplace frame.

4. Hang the window panel on the firebox front by engaging its upper rail over the back of the top of the firebox opening frame. (Fig. 2)
 - Remove the protective film from the brass trim sections, if applicable.

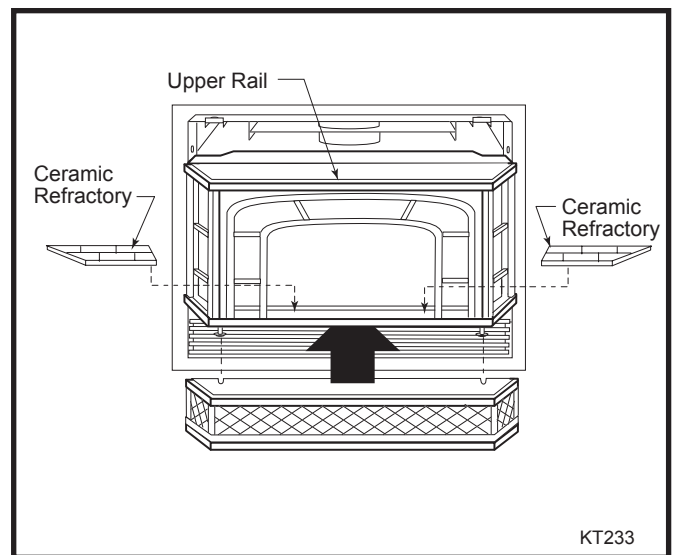


Fig. 2 Cast window panel shown, Steel window mounts in the same manner.

5. The base trim piece is used to close a gap that might exist between the base grille and a lower hearth. Attach the trim section to the base grille by engaging the narrow flange to the clips on the underside of the base grille. (Fig. 3)

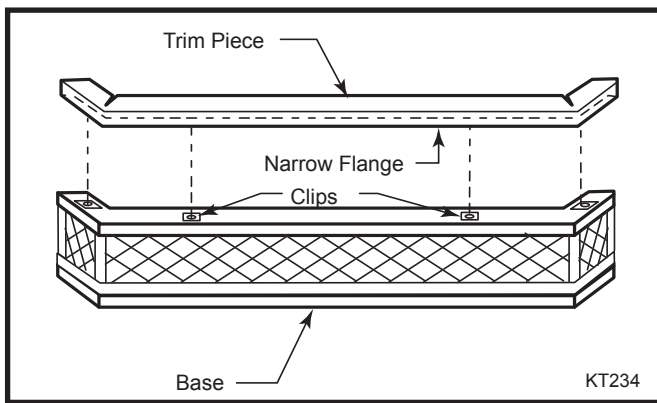


Fig. 3 Base and trim piece shown upside down.

6. Attach the cast iron base grille to the bottom of the window assembly by engaging the fender washers with the slots on the base. (Fig. 4)

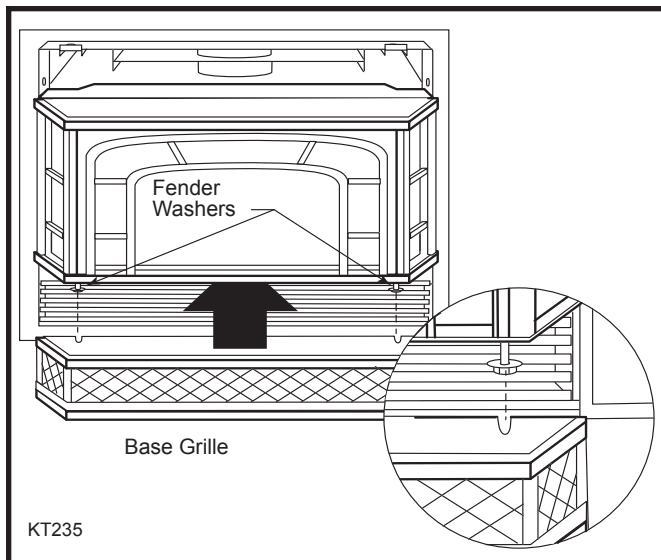


Fig. 4 Install base grille using fender washers.

7. Replace the upper louvre panel.
8. Hang the top grille on the upper brackets at the two slots as shown in Figure 5.

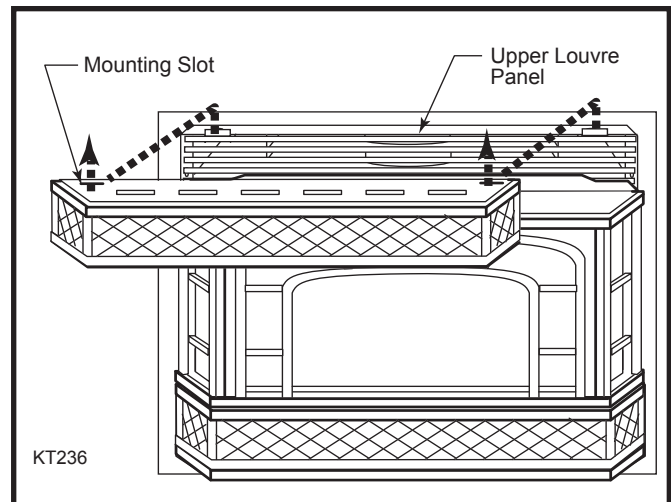


Fig. 5 Attach top grille.

MHSC

149 Cleveland Drive • Paris, Kentucky 40361
www.mhsc.com

Free Manuals Download Website

<http://myh66.com>

<http://usermanuals.us>

<http://www.somanuals.com>

<http://www.4manuals.cc>

<http://www.manual-lib.com>

<http://www.404manual.com>

<http://www.luxmanual.com>

<http://aubethermostatmanual.com>

Golf course search by state

<http://golfingnear.com>

Email search by domain

<http://emailbydomain.com>

Auto manuals search

<http://auto.somanuals.com>

TV manuals search

<http://tv.somanuals.com>