



## INSTRUCTIONS

### XC65W, XC65C, XC65CS XC Speaker Series

#### DESCRIPTION

The XC Speaker Series is the first of Xantech's line of premium loudspeakers. The XC Speaker Series is designed to provide easy installation as well as natural, easy-to-listen to, superior sound quality. Any type of audio, such as compressed, digital, or AM/FM, will sound great. The XC Speaker Series can be used in many audio systems, including Xantech's award-winning multi-room platform.

#### FEATURES

- Multiple easy-lock clamps for fast and secure installation.
- Paint friendly frame and grill.
- Gold plated spring terminals.
- 6.5" woofer, Poly-propylene cone, Rubber surround, Aluminum voice coil.
- 19mm tweeter, Silk dome, Neo magnet, Ferro-fluid.

#### SPECIFICATIONS

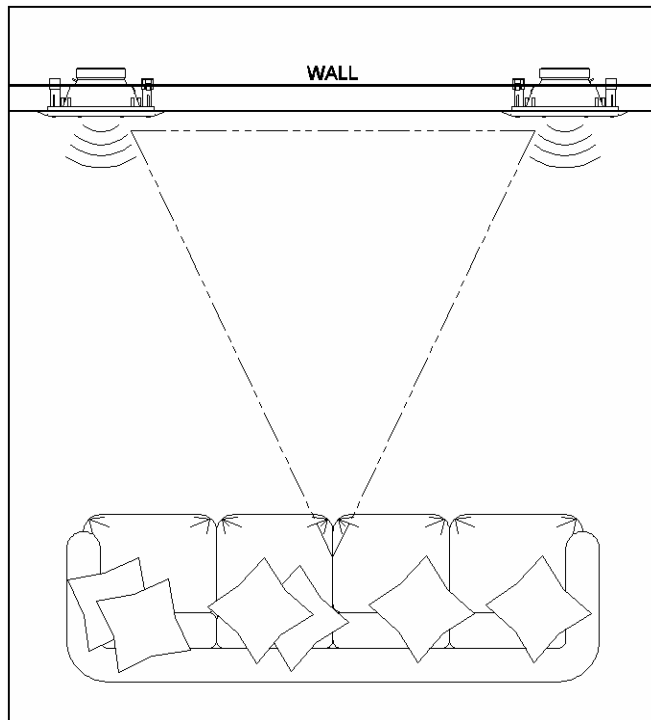
	<b>XC65W (In-Wall)</b>	<b>XC65C (Ceiling)</b>	<b>XC65CS (Ceiling Stereo)</b>
<b>Frequency Response</b>	50Hz – 20,000Hz	50Hz – 20,000Hz	50Hz – 20,000Hz
<b>Sensitivity (1Watt/1Meter)</b>	88dB	88dB	89dB
<b>Recommend Amplifier Power</b>	10 – 50 Watts	10 – 50 Watts	10 – 50 Watts
<b>Nominal Impedance</b>	8 Ohms	8 Ohms	8 Ohms per input
<b>Dimensions</b>	Width: 8.75 in. Height: 12.25 in. Depth: 3.5 in.	Width: 9.25 in. Height: 9.25 in. Depth: 4.25 in.	Width: 9.25 in. Height: 9.25 in. Depth: 4.25in.
<b>Shipping Weight</b>	8 lbs, 13.5 oz (pair)	8 lbs, 8.5 oz (pair)	4 lbs, 7.5 oz (single)

## INSTALLATION – SPEAKER PLACEMENT (STEREO)

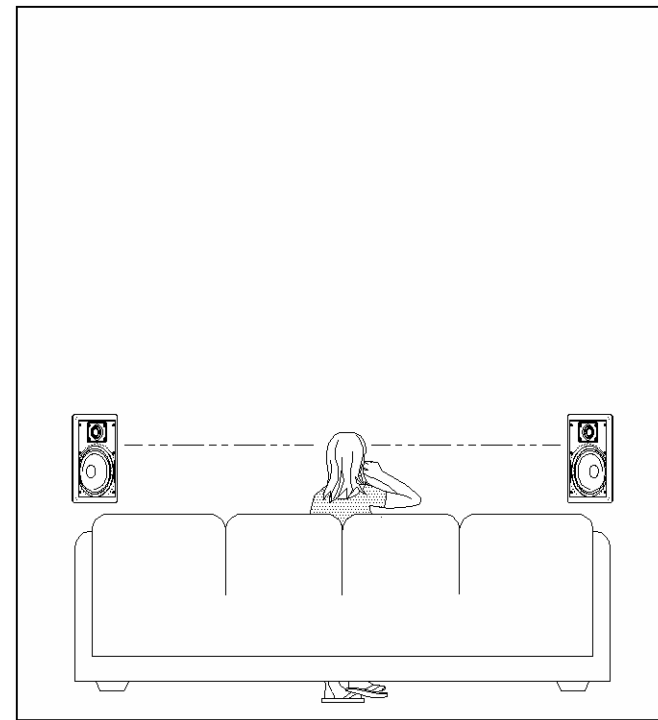
Xantech's speakers can be placed in several locations thanks to its wide dispersion pattern. Optimum speaker performance can still be achieved by observing the speaker placement. Below is a placement guide to help optimize your installation. The placement does not need to be precise, but the general location is still important.

### Key Installation Points

- (1) For in-wall installations, tweeters should be located at ear level of the listener.
- (2) For in-ceiling speakers, bass frequencies are more pronounced near the corner of a room.
- (3) Speakers should be placed 6 to 8 feet apart.



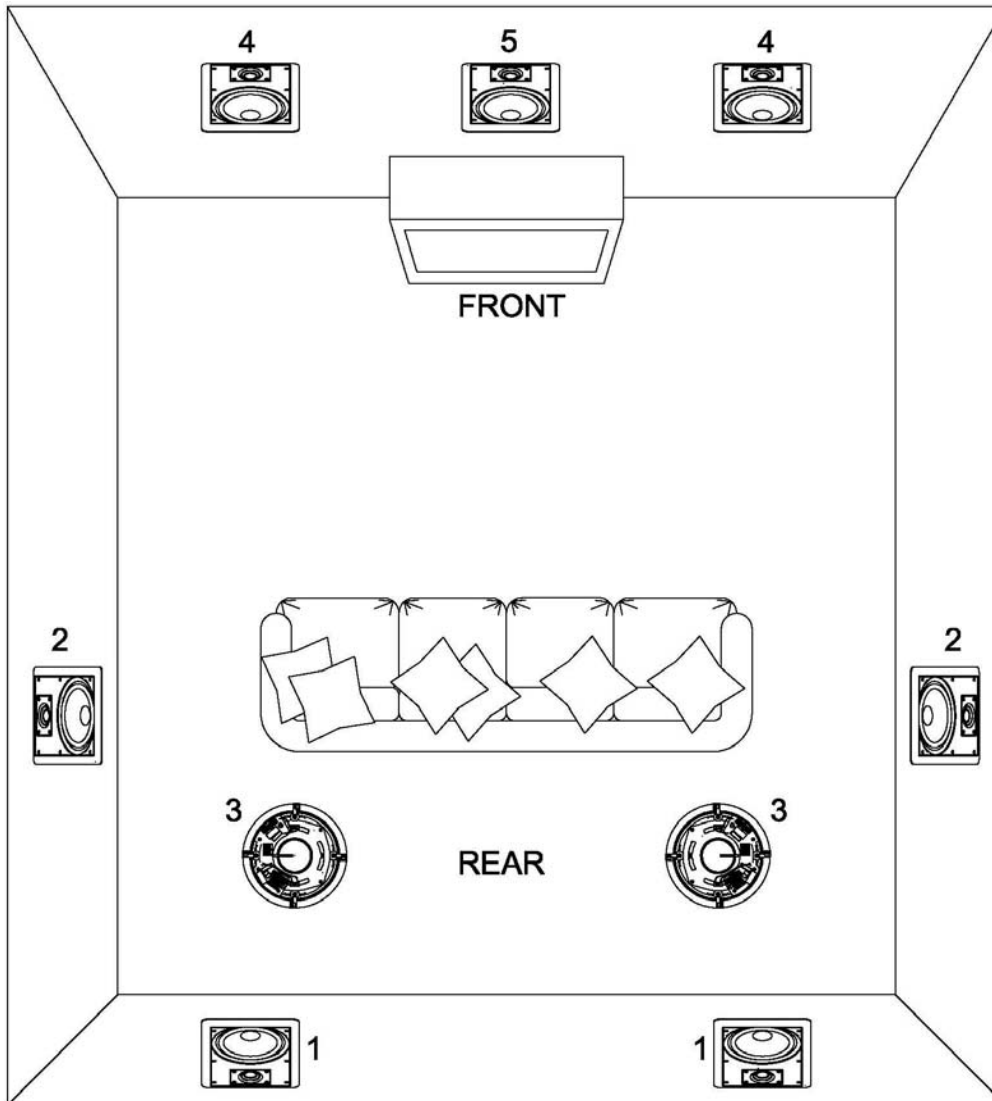
**Front speaker placement.**  
**Speakers are placed 6 to 8 feet apart.**



**Front speaker placement.**  
**Tweeters are located at the listener's ear level.**

## INSTALLATION – SPEAKER PLACEMENT (HOME THEATER)

Using a wide variety of in-wall and in-ceiling speakers, a high-performance home theater can be created providing rear surround sound as well as 5 or 7 channel listening.



***(1) & (2): In-walls used for rear surround.***

***(3) In-ceilings used for rear surround.***

***(4) In-walls used for front listening.***

***(5) In-wall used for center channel.***

## INSTALLATION – WIRE CONNECTION

When installing a speaker pair, it is recommended for the length of wire to be equal for each speaker. In the case of excess wiring, simply hide the excess wire behind the wall.

Braided wire is the recommended application for in-wall and in-ceiling speaker installation.

Wire Length	Recommended Size
Up to 50 feet	16-gauge
Up to 100 feet	14-gauge
Greater than 100 feet	12-gauge

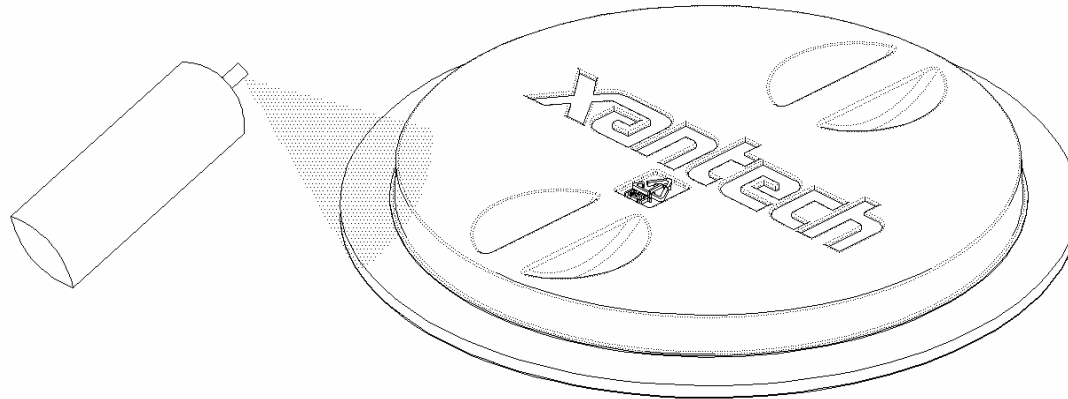
### Key Installation Points:

- (1) Turn-off all amplifier or receiver power before making a speaker connection.
- (2) Be sure the speaker impedance is compatible with the amplifier.
- (3) Avoid running speaker wires near electrical wiring. The speaker wire should be at least 2 feet parallel from the AC line.
- (4) Observe the correct polarity when making a speaker connection. See below.

All speaker and amplifier have corresponding positive (+) and negative (-) terminals. It is important to match the polarity, the positive wire goes to positive terminal and the negative wire goes to negative terminal. Not doing so will result in wiring the speaker 'out of phase' which results in poor speaker performance.

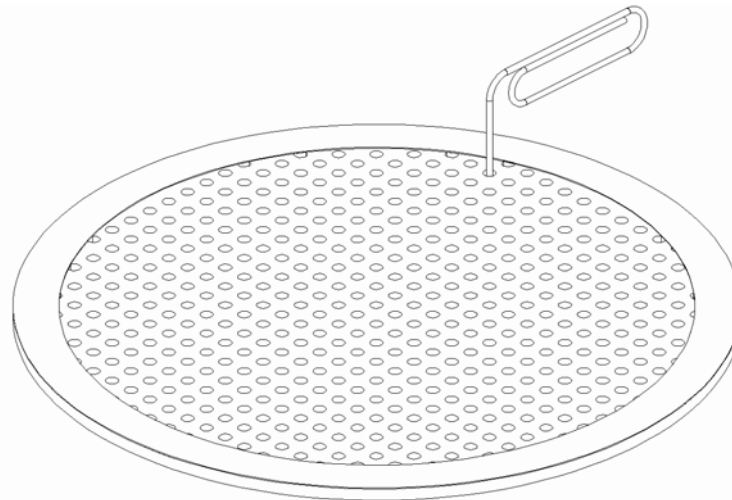
## INSTALLATION – PAINTING

Using your selected color, it is suggested to spray paint the grill prior to installation. The speaker frame can be painted at the same time as the room. Place the included paint shield over the speaker frame. This will protect the speaker and baffle from paint over-spray.



## INSTALLATION – REMOVE GRILL

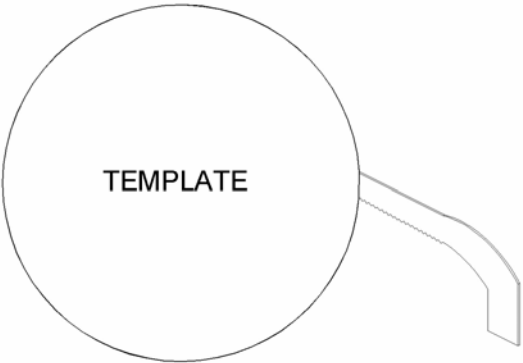
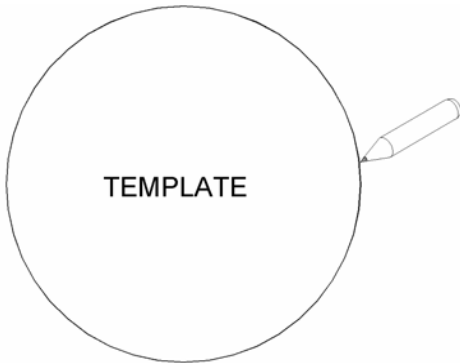
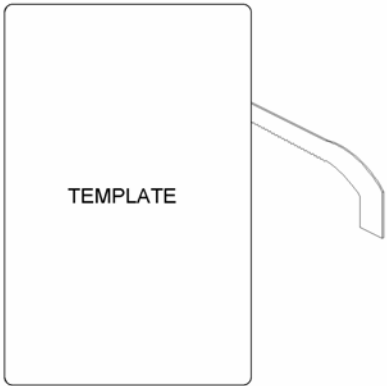
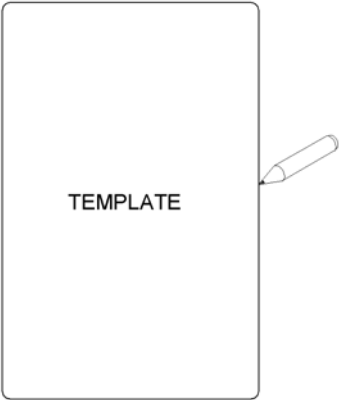
It is suggested to use a wire equivalent to the size of a paperclip to lift the grill off the speaker frame. Do not use a large flat head screw driver or pliers to remove the grill. Doing so will damage the grill. Gentle lifting around the edges is also suggested.



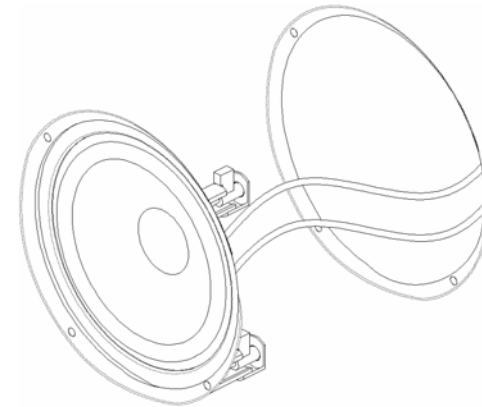
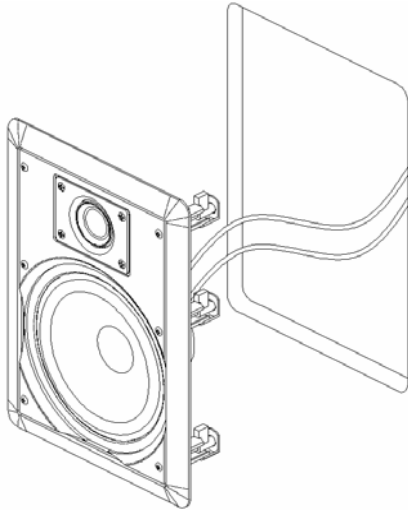
## INSTALLATION – EXISITING CONSTRUCTION

**STEP A.** Determine the placement for the speaker. Be sure to check for obstacles such as concealed wiring, plumbing, and studs. These obstacles will interfere with the speaker installation. The material to which you are installing the speaker should be sturdy to support the speaker's weight.

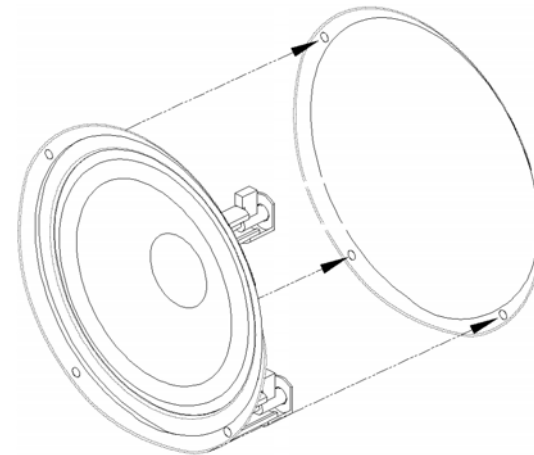
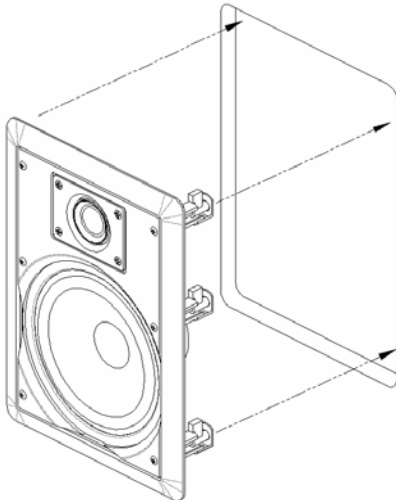
Next, use the appropriate cutting tool to cut out a hole for the speaker frame.



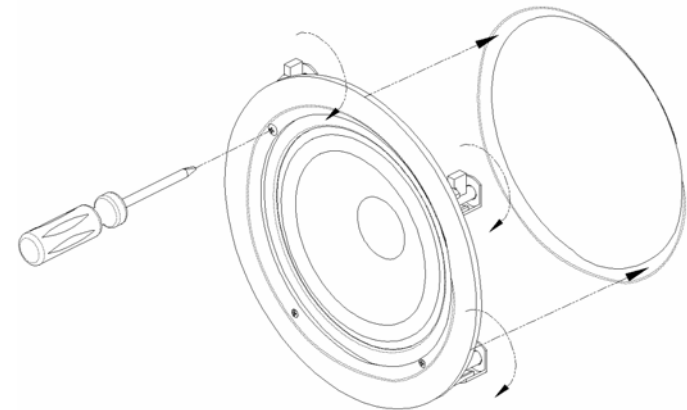
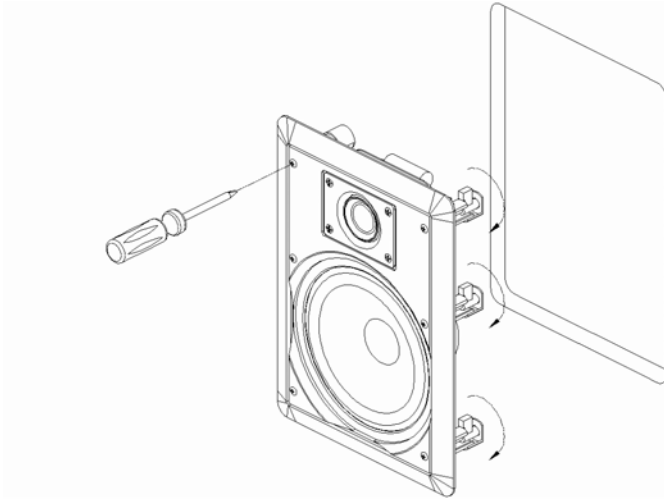
**STEP B.** Connect the wires to the speaker. Be sure the wires are un-frayed and the positive wire is connected to the positive terminal on the speaker. Be sure the negative wire is connected to the negative terminal on the speaker.



**STEP C.** Before sliding the speaker into the frame cutout hole, be sure to loosen the dog-ear clamps. Then, carefully place the speaker into the frame cutout hole.



**STEP D.** Carefully tighten the dog-ear screws until the frame is flush with the wall. For the in-wall frame, start with the center dog-ear clamps. Then use a level to correctly align the speaker and then tighten the remaining dog-ear clamps. For the in-ceiling frame, start with one dog-ear clamp and then tighten the dog-ear clamp on the opposite end. Do not excessively tighten the dog-ear clamps. Doing so will cause damage to the wall and speaker frame.



**STEP E.** The final step is to install the grill. The grill fits into the speaker frame recess. Starting at one corner or side, gently press the grill into the recess. Continue around the frame a bit at a time. Do not excessively handle the grill. Doing so will dent and/or bend the grill out of shape, thus harming the appearance.

XANTECH CORPORATION  
13100 Telfair Avenue  
Sylmar, CA 91342  
Phone 818-362-0353 Fax 818-362-9506  
[www.xantech.com](http://www.xantech.com)

Part No. 08905065 Rev X2 09-19-06  
© 2006 Xantech Corporation



# Xantech Limited Warranty

(Effective for products sold after July 1, 2006)

Xantech Corporation ("Xantech") warrants to the holder of a valid proof of purchase as the first end-user purchaser ("You"), its products to be free from defects in materials and workmanship for the periods specified below from the date of purchase. This limited warranty extends only to You for product purchased and used in the United States of America. For product purchased outside of the United States of America, the terms of this warranty apply EXCEPT that You must contact the Xantech authorized distributor in your region for warranty services. Product is not intended for end user installation. If within the applicable warranty period above You discover such item was not as warranted above and You promptly notify Xantech in writing, Xantech shall repair or replace the items at its option. Xantech may elect which remedy or combination of remedies to provide in its sole discretion. Xantech may use functionally equivalent reconditioned/refurbished/pre-owned or new products or parts under this limited warranty. This warranty shall not apply (a) to product which shall have been installed by other than an authorized Xantech installer, (b) to installed product which is not installed to Xantech's specifications, (c) to product which shall have been repaired or altered by others than Xantech, (d) to charges for installation or set up or adjustment of customer controls, (e) to product that has suffered normal cosmetic deterioration (f) to product which shall have been subjected to negligence, misuse, abuse, accident, or damage by circumstances beyond Xantech's control, including, but not limited to, lightning, flood, electrical surge, tornado, earthquake, or any other catastrophic events beyond Xantech's control, or (g) to product which shall have been subjected to improper operation, connected equipment failure or malfunction, inadequate packing or shipping damage, maintenance or storage, or to other than normal use of service. The foregoing warranties do not cover reimbursement for labor, transportation, shipping, removal, installation, or other expenses which may be incurred in connection with repair or replacement. All claims for product shipping damage must be processed within 3 days of receipt by You.

A Xantech Return Authorization (RA) must be obtained from Xantech by You, your installer or your distributor for Product covered under this warranty. Covered product must be sent to Xantech together with proof of purchase, RA number, prepaid and insured to Xantech. Freight collect shipments will be refused. Risk of loss or damage in transit is borne by the sender. Xantech's warranty does not cover Products which have been received improperly packaged, altered, or physically damaged. Products will be inspected upon receipt.

Except as may be expressly provided and authorized in writing by Xantech, Xantech shall not be subject to any other obligations or liabilities whatsoever with respect to equipment manufactured or sold by Xantech or services rendered by Xantech.

THE FOREGOING WARRANTIES ARE EXCLUSIVE AND IN LIEU OF ALL OTHER EXPRESSED AND IMPLIED WARRANTIES, INCLUDING BUT NOT LIMITED TO IMPLIED WARRANTIES OF MERCHANTABILITY AND FITNESS FOR A PARTICULAR PURPOSE.

## ATTENTION: TO OUR VALUED CONSUMERS

To insure that consumers obtain quality pre-sale and after-sale support and service, Xantech products are sold exclusively through authorized dealers and authorized distributors. Xantech products are not sold online. The warranties on Xantech products are NOT VALID if the products have been purchased from an unauthorized distributor or an online E-tailer. In order to determine if your Xantech re-seller is authorized, please call Xantech (800) 843 - 5465.

<b>XANTECH PRODUCT</b> (go to <a href="http://Xantech.com/warranty">Xantech.com/warranty</a> for model numbers)	<b>WARRANTY DURATION</b>
IR Receivers and IR Emitters	Limited Lifetime
A/V distribution and Control	Limited Lifetime
Remote Control Switchers	Limited Lifetime
Modules and Connecting Blocks	Limited Lifetime
Accessories	Limited Lifetime
Speakers	Limited Lifetime
Volume Controls and Speaker Selectors	5 year Limited
MRC, BX, ZPR and Commercial Products	2 year Limited
Amplifiers	2 year Limited
Control Interfaces	2 year Limited
Hand Held Remote Controls	1 year Limited
SPLCD Product	1 year Limited
Source Components	1 year Limited

## Free Manuals Download Website

<http://myh66.com>

<http://usermanuals.us>

<http://www.somanuals.com>

<http://www.4manuals.cc>

<http://www.manual-lib.com>

<http://www.404manual.com>

<http://www.luxmanual.com>

<http://aubethermostatmanual.com>

Golf course search by state

<http://golfingnear.com>

Email search by domain

<http://emailbydomain.com>

Auto manuals search

<http://auto.somanuals.com>

TV manuals search

<http://tv.somanuals.com>