

Type ES76()

7.6-Meter ESA



7.6-Meter Earth Station Antenna

Table of Contents

Introduction	<i>Introduction</i>	3
	<i>Proprietary Data</i>	4
	<i>Information and Assistance</i>	4
	<i>Notice</i>	4
	<i>Technical Assistance</i>	4
How to Use This Manual	<i>Overview</i>	5
	<i>Content</i>	5
Getting Started	<i>Overview</i>	6
	<i>Warnings</i>	6
	<i>Recommended Tools</i>	7
	<i>Parts Verification</i>	8
	<i>Reporting Equipment Loss or Damage</i>	8
	<i>Reporting Visible Loss or Damage</i>	8
	<i>Reporting Concealed Damage</i>	8
	<i>Inventory Equipment Received</i>	8
	<i>Returning Equipment</i>	9
Installation Procedures	<i>Overview</i>	10
	<i>Foundation Preparation</i>	10
	<i>A-325 Tensioning</i>	11
	<i>Tripod Ground Mount Assembly</i>	12
	<i>Azimuth Beam Assembly</i>	12
	<i>Support Legs Assembly</i>	13
	<i>Panning Frame Assembly</i>	16
	<i>Elevation Jackscrew Assembly</i>	23
	<i>Azimuth Jackscrew Assembly</i>	25
	<i>Mount Assembly</i>	25
	<i>Reflector/Backstructure Installation Drawing (239501)</i>	30
	<i>Reflector/Backstructure Installation Drawing (239908)</i>	37
	<i>Theodolite & Alignment Installation Drawing (239611A)</i>	44
	<i>Subreflector and Subreflector Strut C-Band Installation Drawing (239906)</i>	50
	<i>Subreflector and Subreflector Strut Ku-Band Installation Drawing (239909)</i>	52
Operation	<i>Overview</i>	54
	<i>Acquiring A Satellite</i>	54
	<i>Subreflector Adjustment</i>	58
Preventive Maintenance	<i>Overview</i>	59
	<i>General Cleaning</i>	59
	<i>Electrical Parts</i>	59
	<i>Mechanical Parts</i>	60
	<i>Inspection</i>	60
	<i>Local Control/Motor Drive Controller</i>	60
	<i>Antenna</i>	61
	<i>Drive System Voltage and Current Checks</i>	63
	<i>Preservation of Component Parts</i>	65
	<i>Aluminum Parts</i>	65
	<i>Galvanized Surfaces</i>	65
	<i>Lubrication</i>	65
	<i>Jackscrews/Motors</i>	66
	<i>Gear Motor/Housing Fill Drain Requirements</i>	66

7.6-Meter Earth Station Antenna

Introduction

Like all Andrew earth station antennas, the 7.6-Meter Earth Station Antenna provides high gain and exceptional pattern characteristics. The electrical performance and exceptional versatility provides the ability to configure the antenna with your choice of linearly- or circularly-polarized 2-port or 4-port combining network. That versatility is provided at the time of initial purchase, as well as in the future, as your satellite communication requirements evolve.

The aluminum reflector is precision formed for accuracy and strength requiring minimal assembly. The reflector assembly is 25-feet (7.6-meters) in diameter and segmented in a sixteen piece configuration to reduce shipping volume and facilitate transport to remote sites. Reflector panels are chromate converted and painted with a highly reflective white paint.

The versatile tripod mount can be purchased with either manual or motorizable capabilities. The tripod mount features 180 degree azimuth coverage in three continuous 120 degree overlapping ranges and executes 90 degree continuous elevation adjustment. This large adjustment range provides non-critical foundation orientation and the ability to view geostationary satellites from horizon-to-horizon, from any location worldwide.

The motorizable tripod mount features self-aligning bearings for the elevation pivots, resulting in "zero" backlash. This mount can be operated manually, but has the ability to be upgraded for motorized operation, including steptracking/Smartrack™ applications. The motorizable mount type is indicated by the **ES76** or **ES76HS** letters within the antenna type number. The addition of the letter "HS" within the antenna type number indicates that the mount includes High-Speed azimuth/elevation machine jackscrews, instead of corresponding azimuth/elevation strut assemblies. The azimuth/elevation jackscrews are equipped for integration with the optional motor drive systems. A cross-axis grounding kit is supplied with each mount to ensure electrical interconnectivity of the complete structure.

The aluminum enclosure and hot-dipped galvanized steel mount maintain pointing accuracy and ensures durability and reliability. The antenna and standard manual mount with enclosure will survive 125 mph (200 km/h) wind, in any position of operation, without damage or permanent deformation in moderate coastal/industrial areas. Severe conditions require additional protection.

Andrew provides a complete line of available options, including motor drive systems (with power interfaces addressing domestic and international standards), remote micro-processor antenna control for motor drive systems, pressurization equipment, and inter-connecting HELIAX® cables and waveguide.

Proprietary Data

The technical data contained herein is proprietary to Andrew Corporation. It is intended for use in operation and maintenance of Andrew supplied equipment. This data shall not be disclosed or duplicated in whole or in part without express written consent of Andrew Corporation.

Information and Assistance

Andrew Corporation provides a world-wide technical support network. Refer to the technical assistance portion of this manual for the contact numbers appropriate to your location.

Notice

The installation, maintenance, or removal of antenna systems requires qualified, experienced personnel. Andrew installation instructions have been written for such personnel. Antenna systems should be inspected by qualified personnel to verify proper installation, maintenance and condition of equipment.

Andrew Corporation disclaims any liability or responsibility for the results of improper or unsafe installation and maintenance practices.

All designs, specifications, and availabilities of products and services presented in this manual are subject to change without notice.

Copyright © 2005, Andrew Corporation

Technical Assistance

24-hour Technical Assistance

For technical assistance, call the following numbers at anytime.

Call From	Call To	Telephone	Fax
North America (toll free)	U. S. A.	1-(800)-255-1479	(800)-349-5444
Any Location (International)	U. S. A.	(708)-349-3300	(708)-349-5410

Customer Service Center

The Andrew Customer Service Center gives you direct access to the information and personnel service you need, such as the following:

- Place or change orders
- Check price and delivery information
- Request technical literature

You can call from any of the following:

Call From	Telephone	Fax
North America	1-800-255-1479 (toll free)	1-(800)-349-5444 (toll free)
United Kingdom	00-800-0-255-1479 (toll free)	00-800-0-349-5444 (toll free)
Australia	0011-800-0-255-1479 (toll free)	0011-800-0-349-5444 (toll free)
China	00-800-0-255-1479 (toll free)	00-800-0-349-5444 (toll free)
New Zealand	00-800-0-255-1479 (toll free)	00-800-0-349-5444 (toll free)
Hong Kong	001-800-0-255-1479 (toll free)	001-800-0-349-5444 (toll free)



How to Use This Manual

Overview

The scope of this manual is intended to provide station personnel with the base installation, operation, and maintenance requirements necessary for a 7.6-Meter C-, X- or Ku-Band Earth Station Antenna. This manual provides a convenient reference for authorized operator/service personnel requiring technical information on general system or specific subsystem equipment.

The tables and figures presented in this manual are used as communication aids for the installation, operation, and maintenance of the 7.6-Meter Earth Station Antenna. These tables and figures instantly convey messages, as well as make the procedures easier to understand. This manual uses tables and figures for the following references:

- **Tables** The tables allow you to locate information quickly and easily.
- **Drawings** The drawings supplement the installation instructions by using a combination of graphics and verbiage to assist you in simplifying complex procedures and clarifying components.
- **Photographs** The photographs compliment the installation instructions by providing actual examples of the steps being performed, which allow you to view the installation in concrete form.

Content

The manual is divided into five distinct sections, each dealing with a specific technical topic relating to either system or component subsystem information. The sections contained in this manual are described and listed under the following technical headings:

- **How to Use This Manual** Describes the manual's purpose, content, and communication aids. Additionally, this section lists the related documentation for the 7.6-Meter Earth Station Antenna.
- **Getting Started** Provides the preliminary information needed to perform a successful installation. This section should be reviewed prior to the installation. The warnings, recommended tools, parts verification, instructions on reporting lost or damaged equipment, and installation checklist are located in this section.
- **Installation Procedures** Provides the procedures for the different phases of a 7.6-Meter Earth Station Antenna base installation. This section will help you easily find requirements for an individual task, as well as displays the sequence for each task execution.
- **Operation** Describes the controls, functions, and general operating procedures required for proper operation of the 7.6-Meter Andrew Earth Station Antenna.
- **Preventive Maintenance** Describes preventive maintenance procedures that are required to maintain proper functional operation of your new Andrew Earth Station Antenna.

Getting Started

Overview

The installation, operation, and maintenance of the 7.6-Meter Earth Station Antenna requires qualified and experienced personnel. Andrew installation, operation, and maintenance instructions are illustrated for such personnel. Additionally, the antenna should be inspected by qualified personnel to verify proper installation, maintenance, and condition of equipment as described in Preventive Maintenance. The basic equipment and accessories are either manufactured or design controlled by Andrew Corporation.

The prerequisite information necessary for the 7.6-Meter Earth Station Antenna can be found in this section. Furthermore, this section should be reviewed BEFORE performing the installation, operation, or maintenance. Warnings, recommended tools, and the antenna parts can be verified and/or determined with such a review.

Warnings

When installing the 7.6-Meter Earth Station Antenna, be conscious of the warnings presented below. For further information or clarification of this information, contact the Customer Service Center. The warnings are as follows:

1. Electrical shock from voltages used in this antenna system may cause personal injury or death. Prior to making any electrical connections or performing maintenance or repair, ensure that the power is removed. Electrical connections should be made only by qualified personnel in accordance with local regulations.
2. Installation of antennas may require persons to work at elevated work stations. Whenever persons are working at eight or more feet above the ground and not on a guarded platform, they should wear safety belts with at least one (preferably two) lanyards.
3. Never stand underneath any object while it is being lifted.
4. Always wear a hard hat, especially if someone is above you.
5. Make sure no person is in or under the reflector while it is being lifted or positioned; personal injury can result if the reflector assembly falls.
6. Personnel should never be hoisted in or out of the reflector by the crane; personal injury may result.
7. Andrew earth station antennas supplied to standard product specifications will survive 125 mph winds in any operational position in moderate coastal/industrial areas. Severe conditions require additional protection. Should it be expected that winds will exceed 125 mph, it is recommended that Andrew antennas be steered to specific azimuth and elevation orientations to minimize wind forces upon the structure and thereby increase the probability of survival.
8. It is recommended that all cross-axis waveguide and coaxial cables are secure such that high winds will not cause excessive flexing. Position the antenna to an elevation of 90 degrees. The azimuth jackscrew should be placed in the center of its travel.
9. When the antenna is transmitting, severe eye injury or injury to other parts of the body can result from exposure to radio frequency (RF) energy. The antenna must be turned off before entering the area in front of the reflector and near the feed.

NOTE: Failure to follow an installation procedure could result in damage to equipment or personal injury.

Additional warnings will be displayed throughout this manual for your awareness. These warnings can be identified in warning boxes as shown in the following sample.



Andrew disclaims any liability or responsibility for the results of improper or unsafe installation, operation, or maintenance practices.

Recommended Tools

Andrew supplies all appropriate hardware/parts required for the installation of your 7.6-Meter Earth Station Antenna. All tools necessary for the installation process should be provided by the installation crew. Andrew recommends the following tools to be used for a proper installation of the 7.6-Meter Earth Station Antenna.

Tool	Size	Quantity
Open End or Combination Wrenches	5/16 Inch	2
	7/16 Inch	2
	9/16 Inch	2
	7/8 Inch	2
	3/4 Inch	2
	1/2 Inch	2
	1-1/4 Inch	1
Crane	15 Ton Minimum Capacity, extended end	1
Nylon Web Slings (2000 pound breaking strength)	3 Inch by 14 Foot	2
Rope or Cord (2000 pound breaking strength)	50 Foot	1
Shackles	5/8 Inch	2
Ladder	10 Foot Extension	1
Drive Sockets	1/16 Inch	1
	9/16 Inch	1
	7/8 Inch	1
	3/4 Inch	1
	1-1/4 Inch	1
Breaker Bar	1/2 Inch	1
Spud Wrenches	1-1/16 Inch	1
	1-1/4 Inch	1
Screw Driver	Standard	1
	Phillips	1
Allen Wrench	7/64 Inch	1
	3/16 Inch	1
	1/4 Inch	1
Tape Measure (or other measuring device)	Standard	1
Felt-tip Marker (or other marking device)	Standard	1
Hammer	Standard	1
Rubber Mallet	Standard	1
Pry Bar	Standard	1
Tin Snips	Standard	1
Safety Gloves (each installer)	Standard	1

Table 2-1. Recommended Tools

Parts Verification

Upon receipt of your order, the shipment should be verified to ensure that all parts have reached your site. This process should occur before the installation process begins.

Andrew Corporation thoroughly inspects and carefully packs all equipment before shipment. If you find that there are missing components, please refer to page 9 for step-by-step instructions on how to properly report the equipment loss.

When you have received your order, verify that all parts contained in the shipment correspond to the parts listed on your packing list.

Reporting Equipment Loss or Damage

If you find that there was damage caused to the equipment during the shipping process, a claim should be filed with the carrier. Follow the "Reporting Visible Loss or Damage" or "Reporting Concealed Damage" procedures when filing a claim with the carrier.

Reporting Visible Loss or Damage

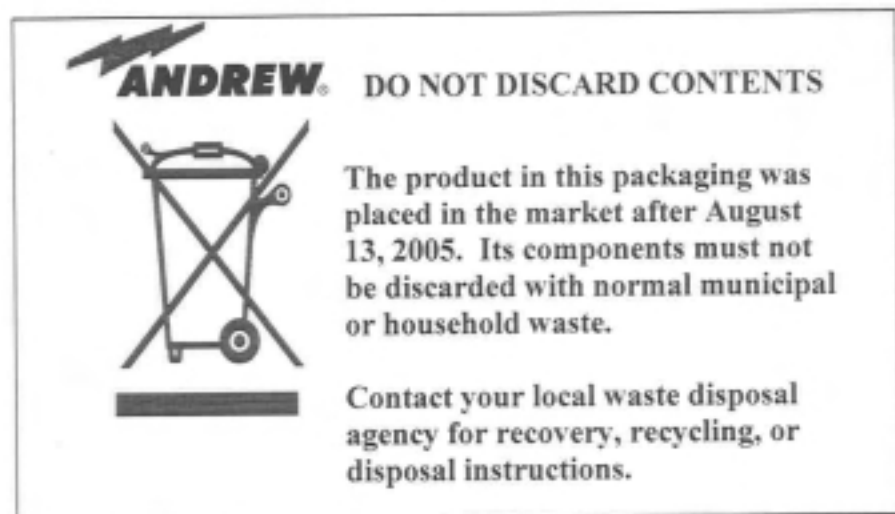
Make a note of any loss or evidence of external damage on the freight bill or receipt, and have it signed by the carrier's agent. Failure to adequately describe such external evidence of loss or damage may result in the carrier refusing to honor a damage claim. The form required to file such a claim will be supplied by the carrier.

Reporting Concealed Damage

Concealed damage means damage which does not become apparent until the unit has been unpacked. The contents may be damaged in transit due to rough handling, even though the carton may not show external damage. If you discover damage after unpacking the unit, make a written request for an inspection by the carrier's agent, then file a claim with the carrier since such damage is most likely the carrier's responsibility.

Inventory Equipment Received

After opening your shipment, an inventory of the parts should occur immediately. Check each item received in your shipment against the packing slip included with the shipment. If any items are missing, please notify Andrew Corporation immediately by contacting the Customer Service Center.



Returning Equipment

Andrew Corporation tries to ensure that all items arrive safe and in working order. Occasionally, despite these efforts, equipment is received which is not in working condition. When this occurs, and it is necessary to return the equipment to Andrew Corporation for either repair or replacement, return can be expedited by following the procedure listed below:

Step 1

Call the Andrew Customer Service Center and request a Return Material Authorization (RMA) number, as well as an address to forward the material to.

Step 2

Tag or identify the defective equipment, noting the defect or circumstances. Also, be sure to write the RMA number on the tag. It would be helpful to reference the sales order and purchase order, as well as the date the equipment was received.

Step 3

Pack the equipment in its original container with protective packing material. If the original container and packing material are no longer available; pack the equipment in a sturdy corrugated box, and cushion it with appropriate packing material.

Step 4

Be sure to include the following information when returning the equipment:

- Your Company Name
- Your Company Address
- City, State, and Zip Code
- Telephone Number
- RMA Number
- Problem Description
- Contact Name

NOTE: Absence of the RMA number will cause a delay in processing your equipment for repair. Be sure to include the RMA number on all correspondence.

Step 5

Ship the equipment to Andrew Corporation using UPS, U.S. Postal Service, or other appropriate carrier; freight prepaid and insured. The material should be forwarded to the address given by the Andrew contact in Step 1.

Installation Procedures

Overview

This section provides installation procedures for the 7.6-Meter Andrew Earth Station Antenna. The installation procedures include instructions on the following antenna components:

- Mount
- Reflector
- Enclosure
- Reflector-to-Mount Assembly
- Subreflector
- Feed System (C-, X- and Ku-band)

Foundation Preparation

Before beginning the installation process on the ground mount assembly, ensure that the foundation has been prepared. Foundation specifications are provided by Andrew and may be used as a reference by civil engineering personnel when preparing the foundation for local soil conditions. These specifications are available before the shipment arrives by contacting the Customer Service Center or your Account Manager.

- Foundation should be dimensioned as detailed in Figure 1.
- Sweep foundation clear of any dirt or debris.
- To ensure smooth surface for mount, scrape foundation pads as shown in Figure 2.
- Studs should extend 3 in. above the ground and are 7/8 in. in diameter
- Apply stick wax to stud threads to ease later connections.

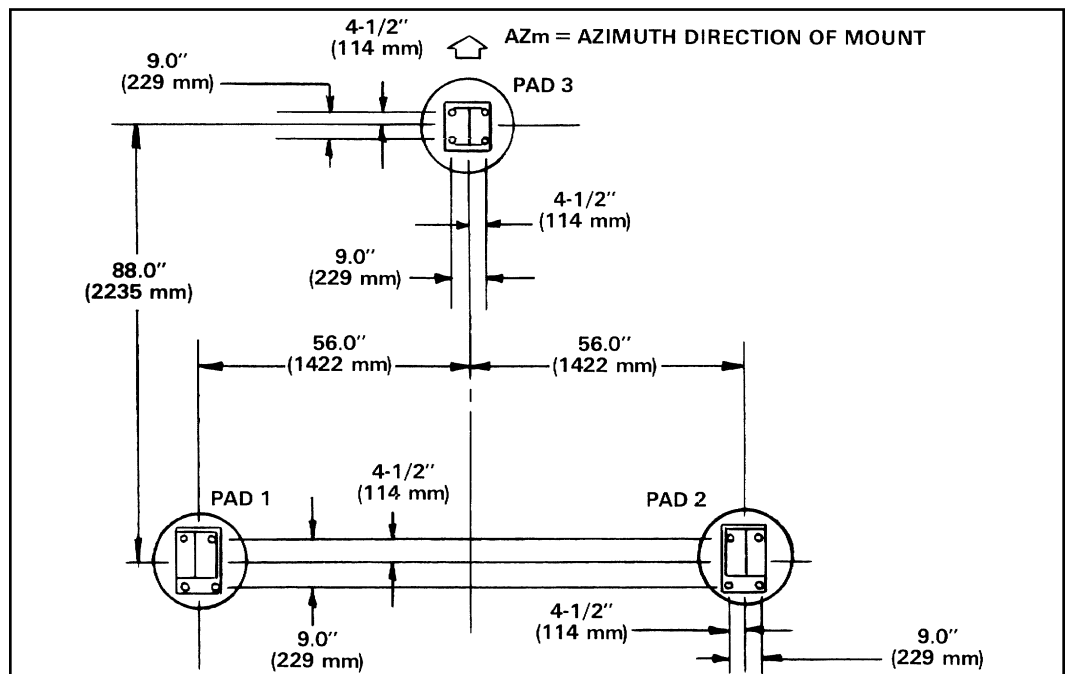


Figure 1



Figure 2

A-325 Tensioning

During the installation process, there are several references to the A-325 hardware tensioning procedure. The A-325 hardware must be properly tensioned to avoid slippage between bolted surfaces under high loads. Slippage can cause the corresponding assembly to move, causing antenna misalignment. When designated, the A-325 hardware should be tightened according to the following tensioning procedure.

NOTE: Tensioned bolts are for final connections only and should not be loosened for reuse.

Step 1

Lubricate the bolt threads with the provided stick wax to reduce friction.

Step 2

Insert the bolt, and add a flat washer—if required. **Do not** allow wax under the flat washer.

Step 3

Add the nut, and finger tighten.

Step 4

After the connections are complete, tighten the bolts until the surfaces are joined and the nuts are snug (for example, full effort of a person using an ordinary spud wrench). Do not proceed with Steps 5 and 6, unless the connection is final and is not intended to be loosened again.

Note: If the bolts are loosened after Steps 5 and 6, discard and replace with new hardware.

Step 5

Using a felt-tip marker, mark the nuts and the ends of the bolts with a straight line as shown in Figure 3-1a and Figure 3-1b.

Step 6

Tighten the nuts further with an extra long wrench until the nuts are moved 1/3 turn (120 degrees) as shown in **Figure 3-1a** for bolt lengths less than four diameters and 1/2 turn (180 degrees) as shown in **Figure 3-1b** for bolt lengths over four diameters.

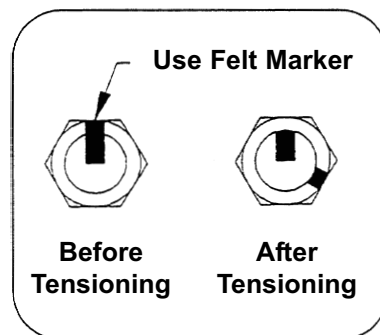


Figure 3-1a: A-325 Tensioning Procedure For bolts less than 4 diameters

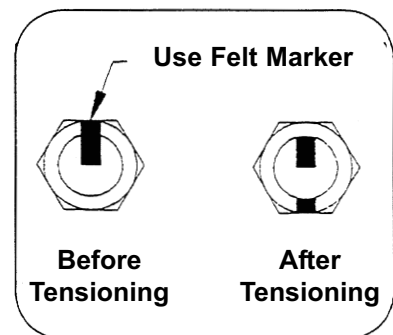


Figure 3-1b: A-325 Tensioning Procedure For bolts over 4 diameters

Tripod Ground Mount Assembly

Azimuth Beam Assembly

Step 1

The three-point mount is an elevation-over-azimuth mount optimized for geostationary satellite applications. The mount enables continuous elevation adjustment from 0 to 90°. Azimuth adjustment is $\pm 90^\circ$ and divided into three 120° ranges with 30° overlap. Follow the subsequent procedures for proper installation of tripod ground mount assembly.

All ground mount hardware is type A-325. Lubricate all A325 bolt threads with supplied stick wax. **Note:** Do not tighten hardware until ground mount installation is complete unless otherwise instructed.

Step 2

Attach 200056 and 200057 supports to upper portion of 201408 beam assembly as shown in Figure 3.

- Use 7/8 x 2-1/4 in (57 mm) hardware

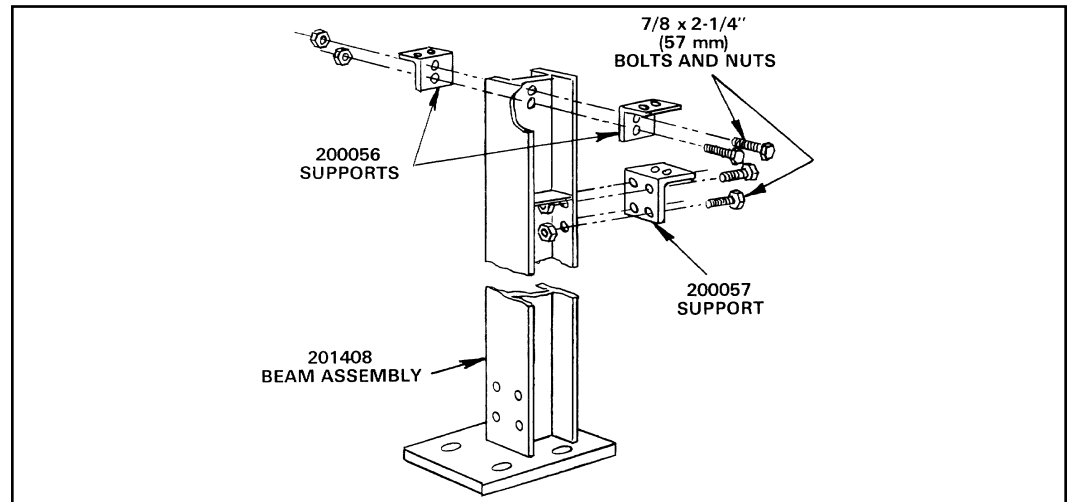


Figure 3

Step 3

Raise 201408 azimuth beam assembly and attach to front foundation pad as shown in Figure 4.

- Use 7/8 in. flatwashers and hex nuts

Note: Hex nuts and flatwashers supplied with 201630 anchor bolt kit

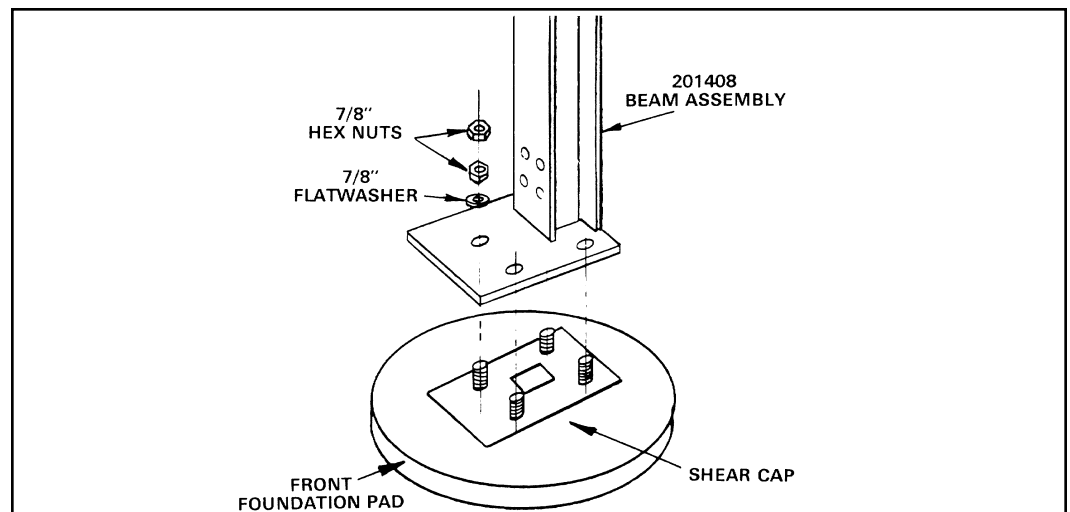


Figure 4

Support Legs Assembly

Step 1

Attach 201327A joint assembly to 201313A beam assembly as shown in Figure 5. Attach 200083 angles to 201313A beam assembly as shown in Figure 5.

- Use 7/8 x 2-1/4 in (57 mm) bolts and nuts for each connection

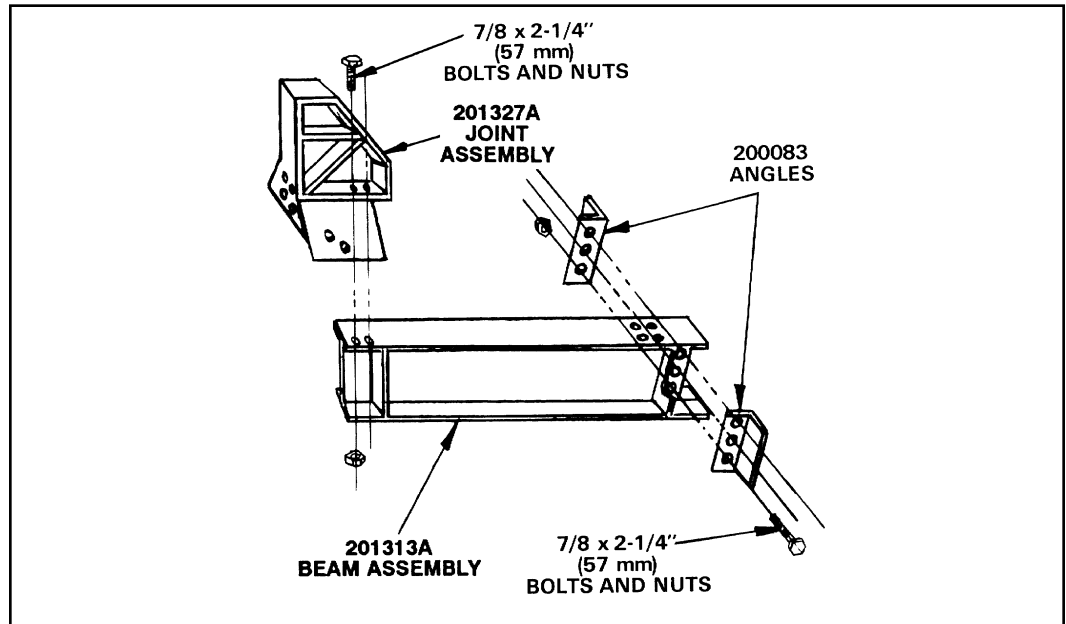


Figure 5

Step 2

Attach 200088A joint assembly to 201313A beam assembly as shown in Figure 6.

- Use 7/8 x 2-1/4 in (57 mm) bolts and nuts

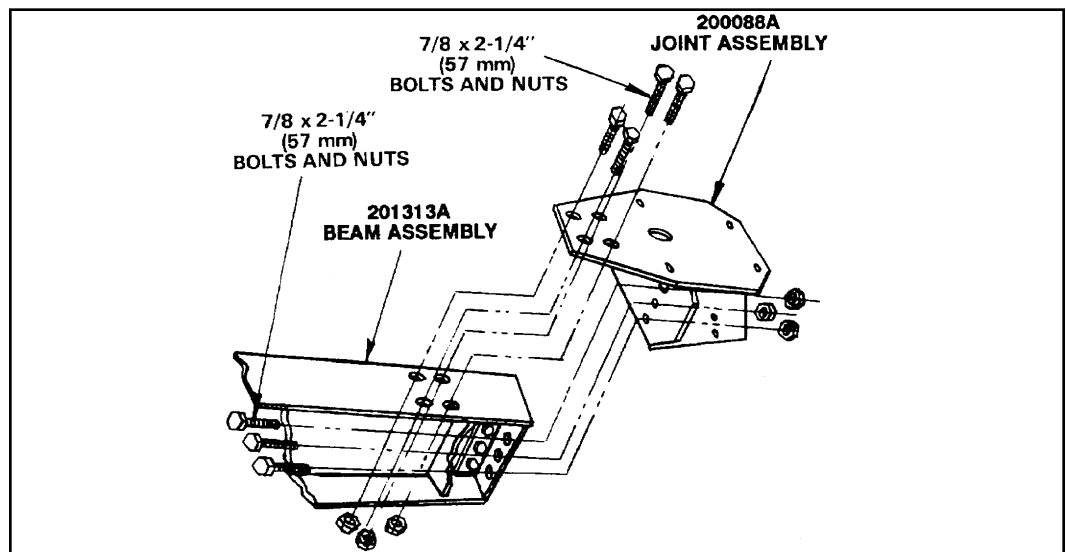


Figure 6

Step 3

Raise 201313A beam assembly to upright position and attach 201315 supports to 201327A joint assembly as shown in Figure 7.

- Use 7/8 x 2-1/4 in. (57 mm) bolts and nuts.
- Insert bolts from 201327A joint assembly to supports.
- Supports should be installed back-to-back with the flat of angle facing upwards.
- Tighten supports until assembly can support itself.



Figure 7

Step 4

Attach 201301/201302 rear pad assembly to 201315 supports as shown in Figure 8.

- Use 7/8 x 2-1/4 in. (57 mm) bolts and nuts
- Insert bolt from inside of rear pad assembly to outside of support
- Supports should be installed back-to-back with the edges forward and the flats of angles facing rear



Figure 8

Step 5

Attach 201314 supports to 201301/201302 rear pad assemblies and 200884 joint assembly as shown in Figure 9.

- Use 7/8 x 2-1/4 in. (57 mm) bolts and nuts
- Insert bolt from inside of joint assembly to outside of support
- Supports should be installed back-to-back with the edges forward and the flats of angles facing rear



Figure 9

Step 6

Attach 201317 supports between angle pairs as shown in Figure 10. Select corresponding mounting holes so that 201317 supports are parallel to 201313A beam assembly.

- Use 7/8 x 2-1/4 in. (57 mm) hardware
- Supports attached with edges inward and flats facing up.

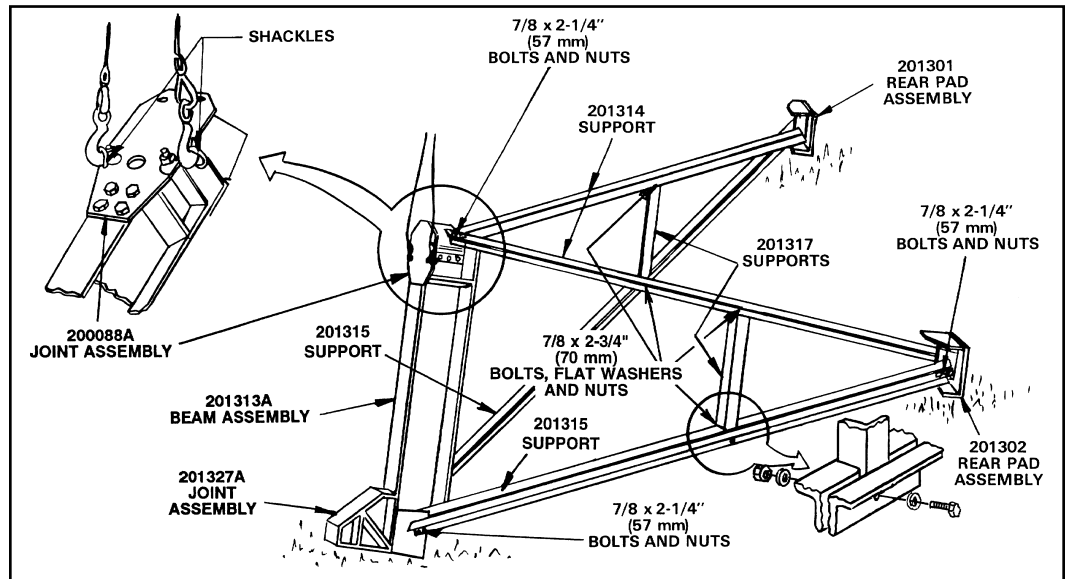


Figure 10

Panning Frame Assembly

Step 1

Attach 201487 panning frame to 221384 azimuth pivot assembly as shown in Figures 11 and 12.

- Use 7/8 x 2-1/4 in. (57 mm) hardware
- Bolts should connect from panning frame to pivot assembly



Figure 11

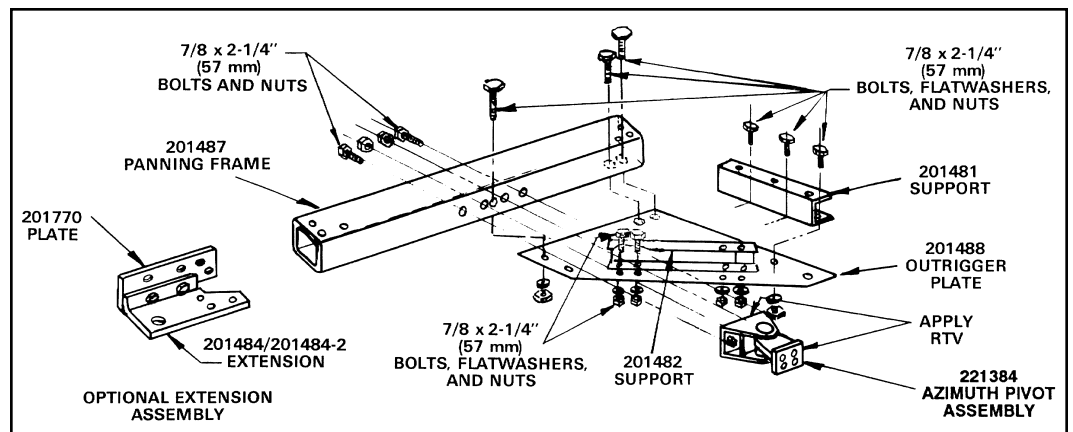


Figure 12

Step 2

Attach 221608 joint assemblies to panning frame as shown in Figures 13 and 14.

- Use 7/8 x 2-1/4 in (57 mm) hardware
- Insert bolts from panning frame to joint assembly



Figure 13

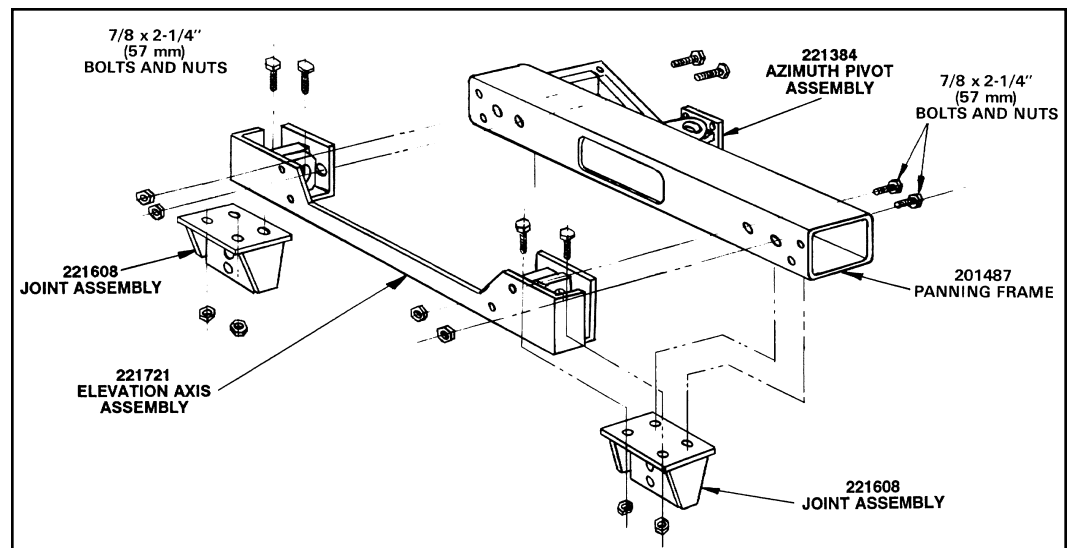


Figure 14

Step 3

Attach 201316 support pairs to 221608 joint assemblies as shown in Figure 15.

- Place supports back-to-back with edges out and flat of angle inward
- Install 45967 spacer at midpoints of support pairs
- Use 7/8 x 2-1/4 in (57 mm) hardware for each connection



Figure 15

Step 4

Attach 221345 azimuth pivot assembly to 201316 support pairs. Attach 201596 mounting plates to 201458 azimuth pivot assembly tab as shown in Figure 16.

- Use 7/8 x 2-1/4 in (57 mm) hardware for each connection
- Insert bolts from rear of pivot assembly to connect supports



Figure 16

Step 5

Attach 201770 plate connecting 201484/201484-2 extension assembly to 201487 panning frame as pictured in Figure 17.

- Use 7/8 x 2-1/4 in (57 mm) hardware
- Insert bolts from inside panning frame assembly

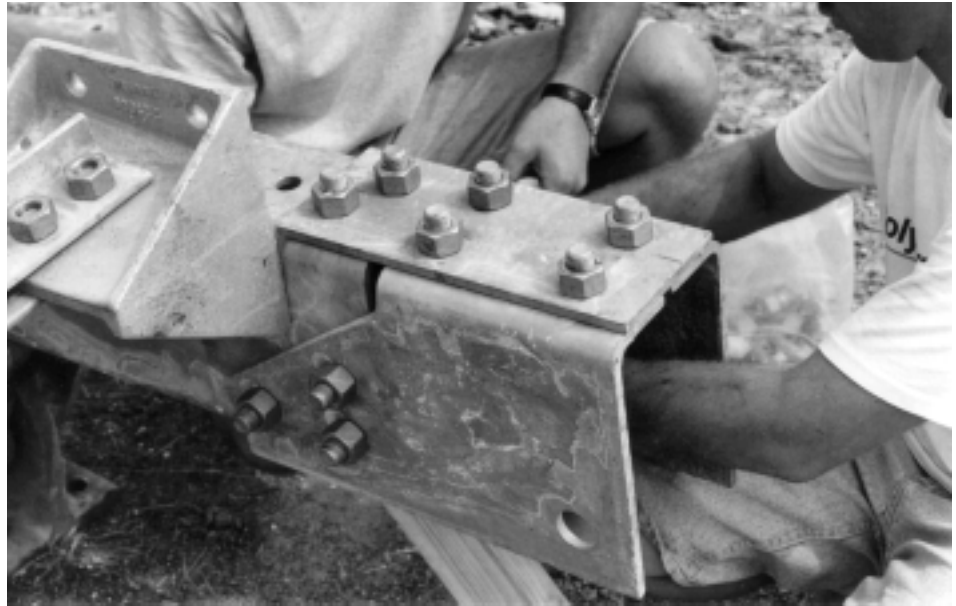


Figure 17

Step 6

Attach 201488 outrigger plate to opposite end of 201487 panning assembly. Attach 201481/201482 supports to outrigger plate as shown in Figure 18.

- Use 7/8 x 2-1/4 in (57 mm) hardware
- Insert bolts from supports to the outrigger plate



Figure 18

Step 7

Attach second 201488 outrigger plate to 201487 panning frame assembly as shown in Figure 19.

- Use 7/8 x 2-1/4 in (57 mm) hardware
- Insert bolts from inside assembly to outrigger plate



Figure 19

Step 8

Attach 221721 elevation axis assembly to 201487 panning frame assembly and 221608 joint assemblies as shown in Figures 20 and 21.

- Use 7/8 x 2-1/4 in (57 mm) hardware
- Insert bolts from elevation axis assembly to panning frame assembly and joint assembly



Figure 20

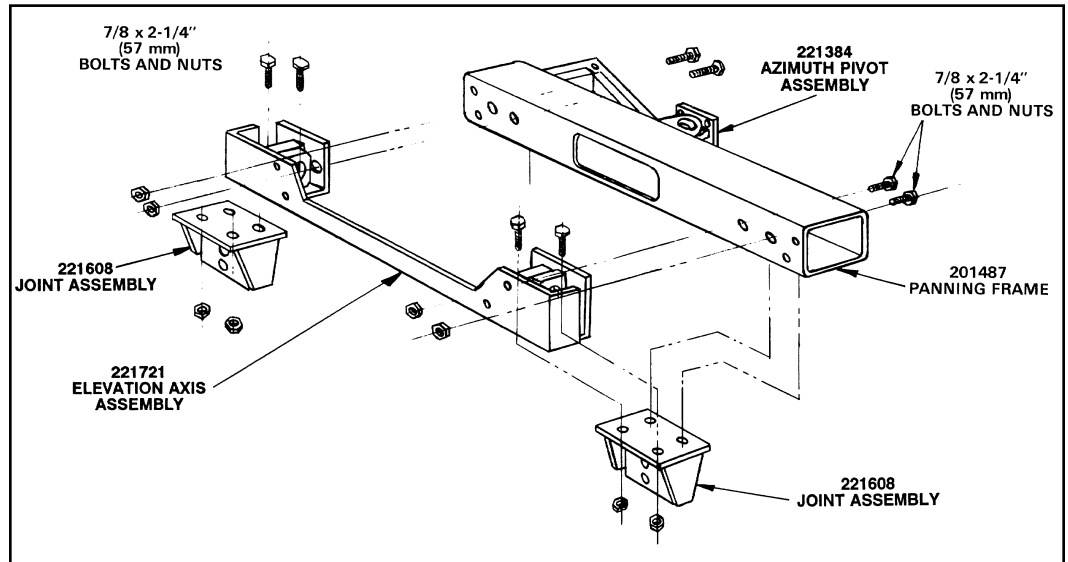


Figure 21

Step 9

Attach 301741/301742 tripod joint bracket to 221721 elevation axis assembly as shown in Figure 22.

- Use 7/8 x 2-1/4 in (57 mm) bolt, flatwasher under bolt and under nut, and nut
- Insert bolts from elevation axis assembly to tripod joint bracket



Figure 22

Step 10

Attach 300026 tripod channel legs to 301741/301742 tripod joint bracket as shown in Figure 23.

- Use 7/8 x 2-1/4 in (57 mm) bolt, flatwasher and nut
- Insert bolts from channel leg to joint bracket



Figure 23

Step 11

Attach 301725 tripod tube weldment to 300026 tripod channel legs as shown in Figure 24.

- Use 7/8 x 2-1/4 in (57 mm) bolt, flatwasher and nut
- Insert bolt from channel leg to tube weldment



Figure 24

**Elevation
Jackscrew
Assembly
Step 1**

Attach 301771/301736 elevation jackscrew assembly to 201596 mounting plates as shown in Figure 25. Tighten connection.

- Use 7/8 x 2-1/2 bolts and nuts



Figure 25

Step 2

Loosen rubber boot from end of jackscrew. Turn elevation drive screw to extend jack to dimension 67.7 in (1719 mm) as shown in Figure 26. Apply grease to screw shaft. Reattach rubber boot.



Figure 26

Step 3

Prop 301771/301736 elevation jackscrew up to align with 301725 tripod tube weldment as shown in Figure 27.



Figure 27

Step 4

Attach 301771/301736 elevation jackscrew to 301725 tripod tube weldment as shown in Figure 28.

- Use 7/8 x 5-1/4 (133 mm) bolt. Fasten with heavy hex nut and flatwasher according to A-325 procedure with the exception of tightening the nut 1/2 turn from snug condition. Tighten jam nut in accordance with A-325 procedure. Apply supplied Loctite to threads to act as locking nut.



Figure 28

Azimuth Jackscrew Assembly

Step 1

Insert 221923/223180 azimuth jackscrew tube into 221738 azimuth pivot assembly as shown in Figure 29. Insert jack carefully to prevent scratching jackscrew tube. **Note:** Ensure jackscrew assembly remains fully retracted at this time.

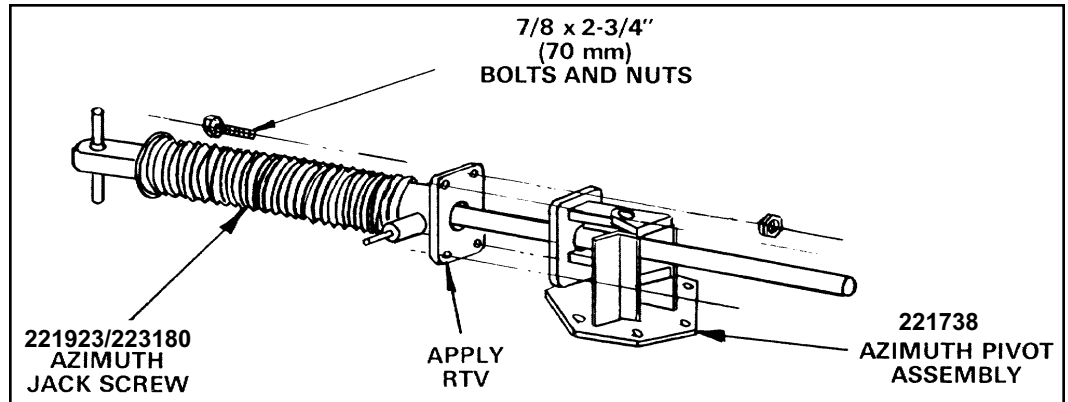


Figure 29

Step 2

Apply RTV to flange surface as shown in Figure 29. Fasten jack to pivot using 7/8 x 2-3/4 in (70 mm) bolts and nuts. Mounting hardware is included with corresponding jack assembly hardware kit.

Mount Assembly

Step 1

Attach shackles to beam assembly as shown in Figure 30.



Figure 30

Step 2

Lift support legs to azimuth beam assembly.

Step 3

Attach rear pad assemblies to rear foundation pads as pictured in Figure 31.

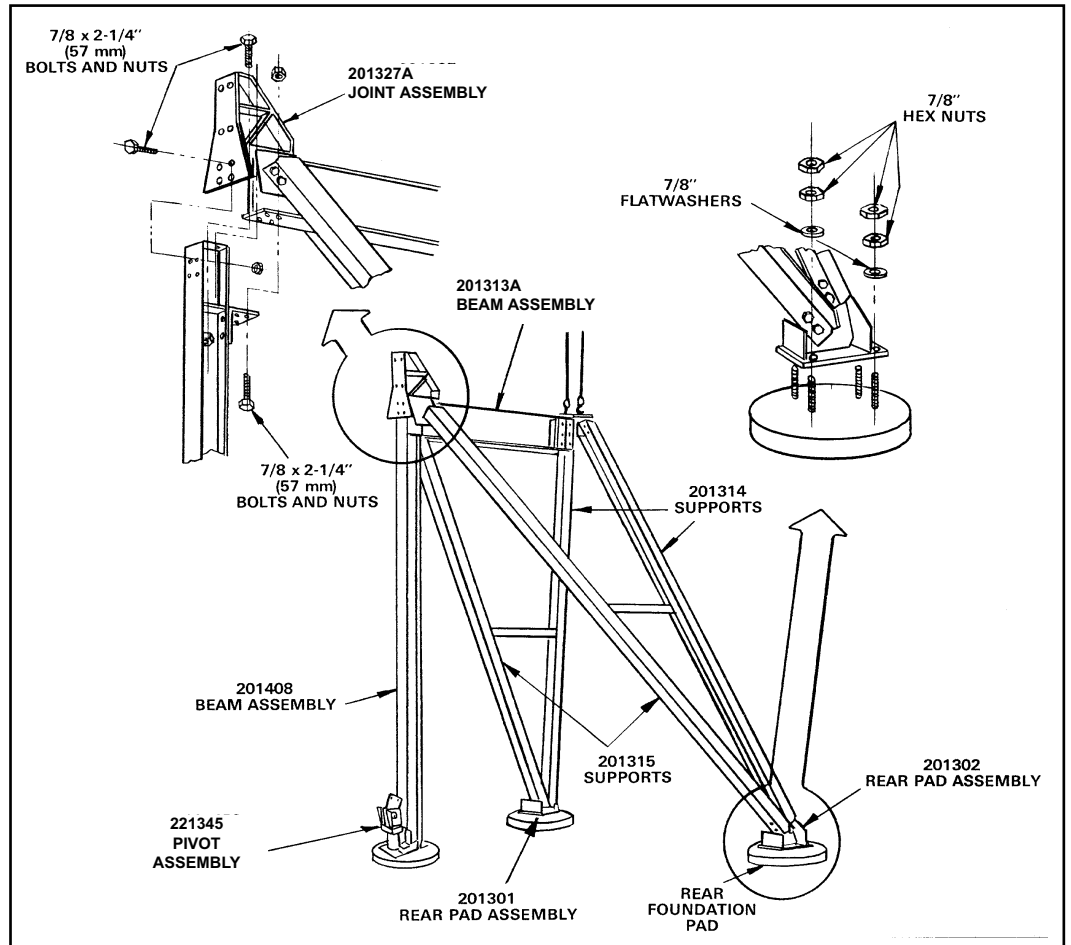


Figure 31

Step 4

Connect beam assembly using 7/8 x 2-1/4 in (57 mm) hardware. Tighten supports to beam assembly per A-325 tensing procedure.

Step 5

Hoist elevation jackscrew assembly to mount. Attach 221384 azimuth pivot assembly to 221608 joint assembly with 7/8 x 2-1/4 hardware from pivot assembly to joint assembly as shown in Figure 32.

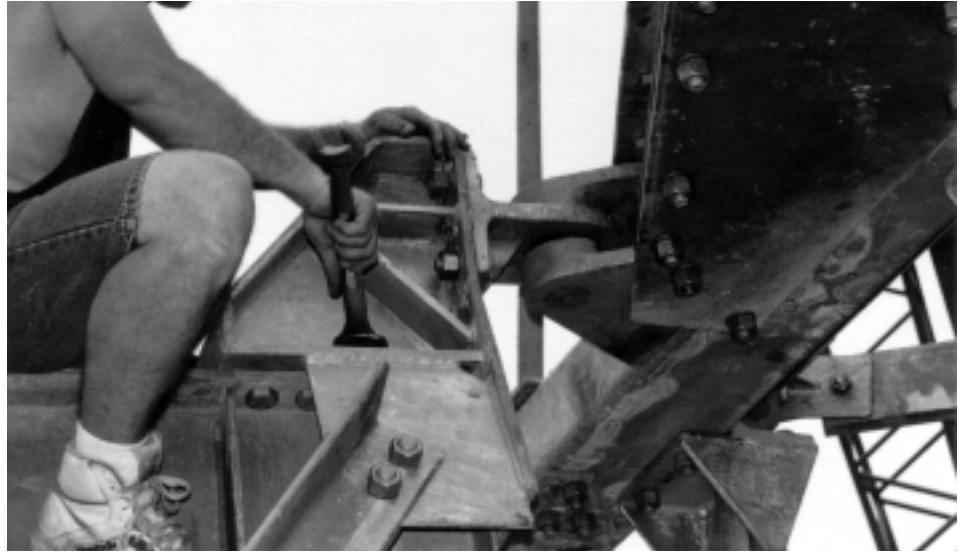


Figure 32

Step 6

Attach 221435 azimuth pivot assembly to 201408 beam assembly with a line of RTV around the plate and four 7/8 x 2-1/4 in (57 mm) bolts inserted from pivot assembly to beam assembly as shown in Figure 33.

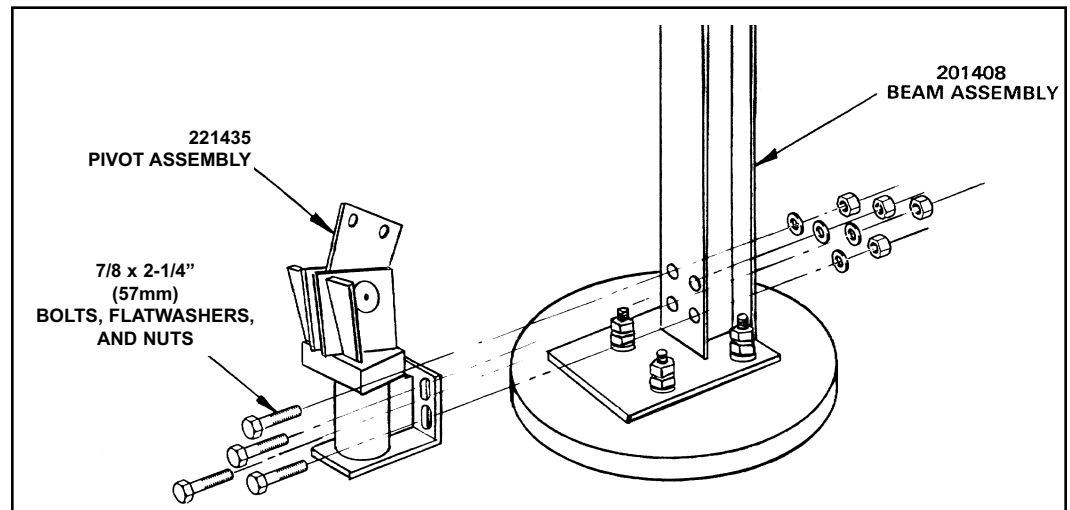


Figure 33

Note: If optional motor drive system is included, install motors at this point. Refer to installation instructions provided with motor kits.

Step 7

Refer to Figure 34. Position hoisting ropes on azimuth motor jack assembly so jack will not roll when hoisted. Attach one rope to motor frame next to gearbox to balance assembly. Tie up loose conduit before lifting jack.



Figure 34

Step 8

Refer to Figure 34. Position hoisting ropes on motor/jack assembly so jack will not roll when hoisted. Attach one rope to large motor frame next to gearbox to balance assembly; do not attach rope to small motor. Tie up loose conduit before lifting jack.

Step 9

Raise 221923/223180 azimuth jackscrew and attach 221738 pivot assembly to 201327A joint assembly with 1 x 2-1/2 in (63 mm) hardware. **Note:** Mounting position of azimuth pivot jackscrew assembly is dependent upon azimuth range requirements and corresponds with mounting position of 201488 outrigger plate or extension assembly.

Step 10

Extend jackscrew to meet outrigger assembly. Loosely re-attach outrigger plate to pin assembly in azimuth jackscrew as shown in Figure 35. **Note:** Realignment of panning frame/pivot assembly may be necessary to ensure proper alignment of azimuth jackscrew pin. Snug panning frame/pivot assembly hardware and fully extend azimuth jackscrew to ensure binding does not occur throughout entire azimuth pivot range.

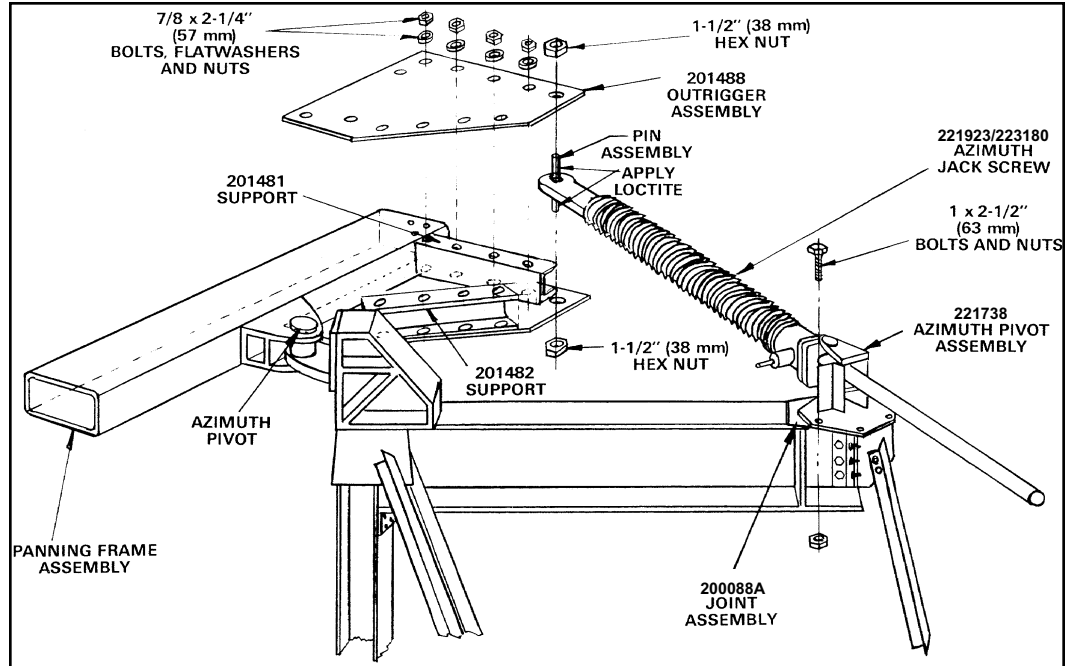


Figure 35

Step 11

Loosen both setscrews in upper and lower collars of pin assembly at end of azimuth jack. **Do not retighten these collars.** Apply supplied Loctite to pin threads and nuts. Attach 1-1/2 in (38 mm) hex nuts to top and bottom of azimuth jackscrew pin assembly and securely tighten mounting hardware using 6 foot (1.8 m) lever arm. Reattach rubber boot. Tighten an outrigger plate hardware.

The tripod ground mount assembly is now completed with the necessary operational essentials. All ground mount options have separate instructional bulletins located in the parts kit that contain the option.

The next step in the installation process is the reflector assembly. Proceed to the next page to begin installation of the reflector.

REV. NO.	DATE	DESCRIPTION	BY	APPROVED
1	11/11/09	REVISED PER PARTS LIST		
2	02/24/10	REVISED PER PARTS LIST		
3	05/27/10	REVISED PER PARTS LIST		
4	07/28/10	REVISED PER PARTS LIST		
5	08/24/10	REVISED PER PARTS LIST		
6	09/01/10	REVISED PER PARTS LIST		
7	09/01/10	REVISED PER PARTS LIST		
8	09/01/10	REVISED PER PARTS LIST		
9	09/01/10	REVISED PER PARTS LIST		
10	09/01/10	REVISED PER PARTS LIST		
11	09/01/10	REVISED PER PARTS LIST		
12	09/01/10	REVISED PER PARTS LIST		
13	09/01/10	REVISED PER PARTS LIST		
14	09/01/10	REVISED PER PARTS LIST		
15	09/01/10	REVISED PER PARTS LIST		
16	09/01/10	REVISED PER PARTS LIST		
17	09/01/10	REVISED PER PARTS LIST		
18	09/01/10	REVISED PER PARTS LIST		
19	09/01/10	REVISED PER PARTS LIST		
20	09/01/10	REVISED PER PARTS LIST		
21	09/01/10	REVISED PER PARTS LIST		
22	09/01/10	REVISED PER PARTS LIST		
23	09/01/10	REVISED PER PARTS LIST		
24	09/01/10	REVISED PER PARTS LIST		
25	09/01/10	REVISED PER PARTS LIST		
26	09/01/10	REVISED PER PARTS LIST		
27	09/01/10	REVISED PER PARTS LIST		
28	09/01/10	REVISED PER PARTS LIST		
29	09/01/10	REVISED PER PARTS LIST		
30	09/01/10	REVISED PER PARTS LIST		
31	09/01/10	REVISED PER PARTS LIST		
32	09/01/10	REVISED PER PARTS LIST		
33	09/01/10	REVISED PER PARTS LIST		
34	09/01/10	REVISED PER PARTS LIST		
35	09/01/10	REVISED PER PARTS LIST		
36	09/01/10	REVISED PER PARTS LIST		
37	09/01/10	REVISED PER PARTS LIST		
38	09/01/10	REVISED PER PARTS LIST		
39	09/01/10	REVISED PER PARTS LIST		
40	09/01/10	REVISED PER PARTS LIST		
41	09/01/10	REVISED PER PARTS LIST		
42	09/01/10	REVISED PER PARTS LIST		
43	09/01/10	REVISED PER PARTS LIST		
44	09/01/10	REVISED PER PARTS LIST		
45	09/01/10	REVISED PER PARTS LIST		
46	09/01/10	REVISED PER PARTS LIST		
47	09/01/10	REVISED PER PARTS LIST		
48	09/01/10	REVISED PER PARTS LIST		
49	09/01/10	REVISED PER PARTS LIST		
50	09/01/10	REVISED PER PARTS LIST		
51	09/01/10	REVISED PER PARTS LIST		
52	09/01/10	REVISED PER PARTS LIST		
53	09/01/10	REVISED PER PARTS LIST		
54	09/01/10	REVISED PER PARTS LIST		
55	09/01/10	REVISED PER PARTS LIST		
56	09/01/10	REVISED PER PARTS LIST		
57	09/01/10	REVISED PER PARTS LIST		
58	09/01/10	REVISED PER PARTS LIST		
59	09/01/10	REVISED PER PARTS LIST		
60	09/01/10	REVISED PER PARTS LIST		
61	09/01/10	REVISED PER PARTS LIST		
62	09/01/10	REVISED PER PARTS LIST		
63	09/01/10	REVISED PER PARTS LIST		
64	09/01/10	REVISED PER PARTS LIST		
65	09/01/10	REVISED PER PARTS LIST		
66	09/01/10	REVISED PER PARTS LIST		
67	09/01/10	REVISED PER PARTS LIST		
68	09/01/10	REVISED PER PARTS LIST		
69	09/01/10	REVISED PER PARTS LIST		
70	09/01/10	REVISED PER PARTS LIST		
71	09/01/10	REVISED PER PARTS LIST		
72	09/01/10	REVISED PER PARTS LIST		
73	09/01/10	REVISED PER PARTS LIST		
74	09/01/10	REVISED PER PARTS LIST		
75	09/01/10	REVISED PER PARTS LIST		
76	09/01/10	REVISED PER PARTS LIST		
77	09/01/10	REVISED PER PARTS LIST		
78	09/01/10	REVISED PER PARTS LIST		
79	09/01/10	REVISED PER PARTS LIST		
80	09/01/10	REVISED PER PARTS LIST		
81	09/01/10	REVISED PER PARTS LIST		
82	09/01/10	REVISED PER PARTS LIST		
83	09/01/10	REVISED PER PARTS LIST		
84	09/01/10	REVISED PER PARTS LIST		
85	09/01/10	REVISED PER PARTS LIST		
86	09/01/10	REVISED PER PARTS LIST		
87	09/01/10	REVISED PER PARTS LIST		
88	09/01/10	REVISED PER PARTS LIST		
89	09/01/10	REVISED PER PARTS LIST		
90	09/01/10	REVISED PER PARTS LIST		
91	09/01/10	REVISED PER PARTS LIST		
92	09/01/10	REVISED PER PARTS LIST		
93	09/01/10	REVISED PER PARTS LIST		
94	09/01/10	REVISED PER PARTS LIST		
95	09/01/10	REVISED PER PARTS LIST		
96	09/01/10	REVISED PER PARTS LIST		
97	09/01/10	REVISED PER PARTS LIST		
98	09/01/10	REVISED PER PARTS LIST		
99	09/01/10	REVISED PER PARTS LIST		
100	09/01/10	REVISED PER PARTS LIST		

QTY	PART NO.	DESCRIPTION	UNIT
1	301741	RIGHT TRIPPOD JOINT VELUMENT	EA
1	301772	TRIPPOD CHANNEL LEG	EA
1	300026	SHORT STRUT	EA
1	300915	LONG STRUT	EA
1	300020	STRETCH-FORMED SKIRT	EA
1	222765	MACHINED RIB	EA
1	222673	REFLECTOR PANEL	EA
1	222677	MIDULAR ENCLOSURE	EA
1	20911	ENCLOSURE DOOR ASSEMBLY	EA
1	209565	STICK WAX	EA
1	20952	CAST SPACER	EA
1	9963-165	0.75-100X1.25 LG HEX(CSST)	EA
1	9903-15	ALLEN WRENCH(0.25)	EA
1	9903-11	ALLEN WRENCH(0.312)	EA
1	9903-10	ALLEN WRENCH(0.187)	EA
1	9997-236	0.625 FLATWASHER(CSST)	EA
1	9858-22	0.625X1.00 LG SHOULDER BOLT(CSST)	EA
1	209567	BRACKING PLATE	EA
1	206278	LIFTING TAB	EA
1	9997-208	0.75 FLATWASHER(CSST)	EA
1	9997-227	0.625 FLATWASHER(CSST)	EA
1	209565	STICK WAX	EA
1	45980-18	0.75-100X1.25 LG BOLT & NUT ASSY	EA
1	45980-7	0.625-100X1.25 LG BOLT & NUT ASSY	EA
1	9997-131	0.25 FLATWASHER(CSST)	EA
1	9999-57	0.25-200X1.25 LG HEX NUT(CSST)	EA
1	9963-76	0.25-200X1.25 LG HEX(CSST)	EA
1	9974-64	0.50 LOCKWASHER(CSST)	EA
1	9999-61	0.50-100X1.25 LG HEX NUT(CSST)	EA
1	9963-129	0.50 FLATWASHER(CSST)	EA
1	9997-65	0.50 FLATWASHER(CSST)	EA
1	9997-145	0.375 FLATWASHER(CSST)	EA
1	9974-63	0.375 LOCKWASHER(CSST)	EA
1	9999-60	0.375-100X1.25 LG NUT(CSST)	EA
1	9858-18	0.50X1.00 LG SHOULDER BOLT(CSST)	EA
1	9858-19	0.50X1.00 LG SHOULDER BOLT(CSST)	EA
1	9997-17	0.312 LOCKWASHER(CSST)	EA
1	9997-56	0.312 FLATWASHER(CSST)	EA
1	9999-59	0.312-100X1.25 LG NUT(CSST)	EA
1	9959-11	0.312-100X1.25 LG NUT(CSST)	EA
1	209236	CAST BEVEL WASHER	EA
1	209140	CLIPPED WASHER	EA
1	209765-1	0.650 SPACER	EA

GENERAL

READ THE INSTRUCTIONS THOROUGHLY BEFORE ASSEMBLY. FOLLOW THE SEQUENCES FOR PROPER ASSEMBLY AND OPERATION.

CAUTION: THIS WARNING INDICATES THAT FAILURE TO FOLLOW THE PROPER PROCEDURES FOR THE INSTALLATION OF THIS ANTENNA AND/OR OTHER PROPERTY AND POSSIBLE INJURY TO PERSONNEL.

NOTICE: THIS INDICATES INFORMATION THAT SHOULD BE READ BEFORE PROCEEDING.

UNPACKING: CAREFULLY REMOVE ALL PARTS FROM SHIPPING BOXES. THE CONTENTS SHOULD CORRESPOND WITH THE PARTS LIST ANY DAMAGE OR MISSING PARTS SHOULD BE REPORTED TO THE FACTORY IMMEDIATELY.

NOTICE: THE INSTALLATION, MAINTENANCE OR REMOVAL OF AN ANTENNA SYSTEM SHOULD BE PERFORMED BY PERSONNEL WHOSE TRAINING AND EXPERIENCE HAVE BEEN WRITTEN AND ILLUSTRATED FOR SUCH PURPOSES. PERSONNEL SHOULD BE TRAINED TO CORRECTLY INSTALL AND MAINTAIN THE ANTENNA AND/OR OTHER PROPERTY. ANDREW DISCLAIMS ANY LIABILITY FOR DAMAGE TO EQUIPMENT OR PERSONNEL DURING THE INSTALLATION OF ANTENNA SYSTEMS OR DURING MAINTENANCE PRACTICES.

TOOLS RECOMMENDED FOR PROPER INSTALLATION

QUANTITY	DESCRIPTION
1	15 TON CRANE (SLOTTED)
2	5/16 HEX SOCKET (ALLEN) WRENCH
4	3/16 HEX SOCKET (ALLEN) WRENCH
4	1/4 HEX SOCKET (ALLEN) WRENCH
2	7/16 SOCKET
2	1/2 SOCKET
2	3/4 SOCKET
2	7/8 SOCKET
2	1 1/4 SOCKET
2	1 7/16 SOCKET
2	1/2 DRIVE BATCHET
2	1/2 DRIVE EXTENSION
2	7/16 COMBINATION WRENCH
2	1/2 COMBINATION WRENCH
2	3/4 COMBINATION WRENCH
2	7/8 COMBINATION WRENCH
2	1 1/4 COMBINATION WRENCH
2	1 7/16 COMBINATION WRENCH
1	1 1/4 SPUD WRENCH
1	3 FT NYLON CHOKER (3/8" DIA)
1	6 FT NYLON CHOKER (3/8" DIA)
1	PULLER HOIST/A TON
4	2x4x8 FT LUMBER (TEMPORARY SUPPORT)
4	5/8 SHACKLES
4	20 FT TAG LINC (3/8" DIA)
4	18 FT STEEL LADDER
4	25 FT EXTENSION LADDER
2	8" ADJUSTABLE WRENCH
1	TEMPORARY WOOD SUPPORT BLOCKS

NOTES: (UNLESS OTHERWISE SPECIFIED)

- 1. MESSAS: ALL BOLTS AND NUTS MUST BE OF THE SAME TYPE AND SIZE.
- 2. MESSAS: ALL BOLTS AND NUTS MUST BE OF THE SAME TYPE AND SIZE.
- 3. MESSAS: ALL BOLTS AND NUTS MUST BE OF THE SAME TYPE AND SIZE.

USE FELT MARKER

1. LUBRICATE BOLT THREADS WITH STEEL WAX (ITEM 28) TO REDUCE FRICTION DO NOT ALLOW WAX UNDER FLAT WASHER.

2. AFTER CONNECTIONS ARE COMPLETED, TIGHTEN BOLTS UNTIL PERSON USING DROWNEY SPUD WRENCH, DO NOT PROCEED WITH STEPS 3, 4 & 5 UNLESS THE CONNECTION IS FIRM. IF BOLTS ARE LOBBED AFTER REPEAT ALL STEPS.

3. MARK NUTS AND END OF BOLTS WITH STRAIGHT LINE, SEE FIGURE L.

4. TIGHTEN NUTS FURTHER WITH EVERY LINE, WRENCH OR SPUD WRENCH UNTIL NUTS ARE MOVED 1/2 TURN (20°) FOR BOLT LENGTHS UP TO AND INCLUDING 4 INCHES. SEE FIGURE N.

UNLESS OTHERWISE SPECIFIED

1. DIMENSIONS ARE IN INCHES

2. DIMENSIONS ARE IN MILLIMETERS

3. DIMENSIONS ARE IN MILLIMETERS

4. DIMENSIONS ARE IN MILLIMETERS

5. DIMENSIONS ARE IN MILLIMETERS

6. DIMENSIONS ARE IN MILLIMETERS

7. DIMENSIONS ARE IN MILLIMETERS

8. DIMENSIONS ARE IN MILLIMETERS

9. DIMENSIONS ARE IN MILLIMETERS

10. DIMENSIONS ARE IN MILLIMETERS

11. DIMENSIONS ARE IN MILLIMETERS

12. DIMENSIONS ARE IN MILLIMETERS

13. DIMENSIONS ARE IN MILLIMETERS

14. DIMENSIONS ARE IN MILLIMETERS

15. DIMENSIONS ARE IN MILLIMETERS

16. DIMENSIONS ARE IN MILLIMETERS

17. DIMENSIONS ARE IN MILLIMETERS

18. DIMENSIONS ARE IN MILLIMETERS

19. DIMENSIONS ARE IN MILLIMETERS

20. DIMENSIONS ARE IN MILLIMETERS

21. DIMENSIONS ARE IN MILLIMETERS

22. DIMENSIONS ARE IN MILLIMETERS

23. DIMENSIONS ARE IN MILLIMETERS

24. DIMENSIONS ARE IN MILLIMETERS

25. DIMENSIONS ARE IN MILLIMETERS

26. DIMENSIONS ARE IN MILLIMETERS

27. DIMENSIONS ARE IN MILLIMETERS

28. DIMENSIONS ARE IN MILLIMETERS

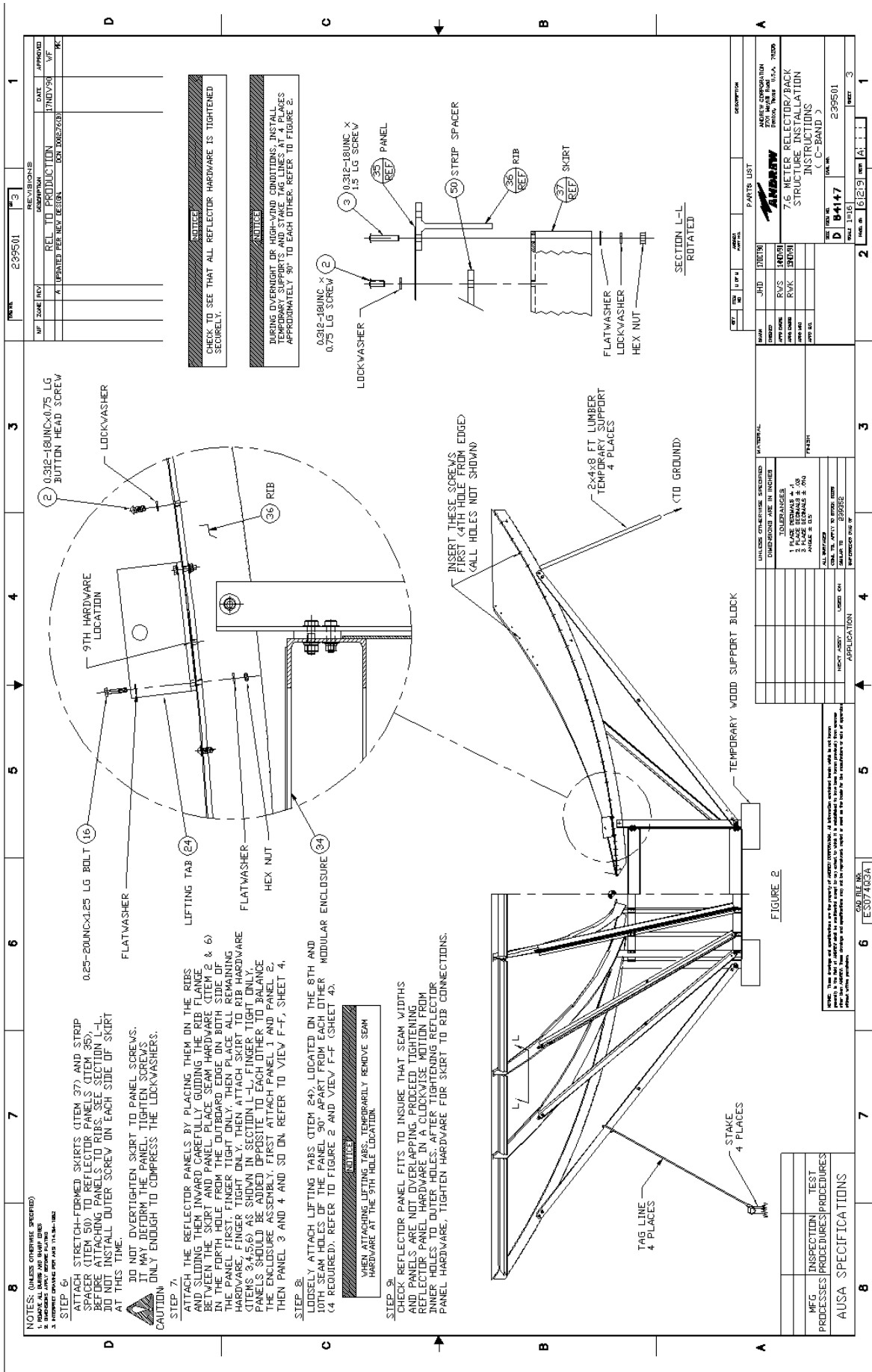
29. DIMENSIONS ARE IN MILLIMETERS

30. DIMENSIONS ARE IN MILLIMETERS

INSPECTION TEST PROCESSES/PROCEDURES

AUSA SPECIFICATIONS

REV. NO.	DATE	DESCRIPTION	BY	APPROVED
1	11/11/09	REVISED PER PARTS LIST		
2	02/24/10	REVISED PER PARTS LIST		
3	05/27/10	REVISED PER PARTS LIST		
4	07/28/10	REVISED PER PARTS LIST		
5	08/24/10	REVISED PER PARTS LIST		
6	09/01/10	REVISED PER PARTS LIST		
7	09/01/10	REVISED PER PARTS LIST		
8	09/01/10	REVISED PER PARTS LIST		
9	09/01/10	REVISED PER PARTS LIST		
10	09/01/10	REVISED PER PARTS LIST		
11	09/01/10	REVISED PER PARTS LIST		
12	09/01/10	REVISED PER PARTS LIST		
13	09/01/10	REVISED PER PARTS LIST		
14	09/01/10	REVISED PER PARTS LIST		
15	09/01/10	REVISED PER PARTS LIST		
16	09/01/10	REVISED PER PARTS LIST		
17	09/01/10	REVISED PER PARTS LIST		
18	09/01/10	REVISED PER PARTS LIST		
19	09/01/10	REVISED PER PARTS LIST		
20	09/01/10	REVISED PER PARTS LIST		
21	09/01/10	REVISED PER PARTS LIST		
22	09/01/10	REVISED PER PARTS LIST		
23	09/01/10	REVISED PER PARTS LIST		
24	09/01/10	REVISED PER PARTS LIST		
25	09/01/10	REVISED PER PARTS LIST		
26	09/01/10	REVISED PER PARTS LIST		
27	09/01/10	REVISED PER PARTS LIST		
28	09/01/10	REVISED PER PARTS LIST		
29	09/01/10	REVISED PER PARTS LIST		
30	09/01/10	REVISED PER PARTS LIST		



REV.	DATE	DESCRIPTION	BY	CHK.
1	1/10/79	INITIAL PRODUCTION		
2	1/10/79	REVISION PER REV. LETTER		

REV.	DATE	DESCRIPTION	BY	CHK.
3	1/10/79	UPDATER PER REV. LETTER		

NOTE: (UNLESS OTHERWISE SPECIFIED)

- 1. DIMENSIONS ARE IN INCHES
- 2. DIMENSIONS ARE IN MILLIMETERS
- 3. DIMENSIONS ARE IN FEET AND INCHES
- 4. DIMENSIONS ARE IN METERS AND MILLIMETERS

NOTE
CHECK TO SEE THAT ALL REFLECTOR HARDWARE IS TIGHTENED SECURELY.

NOTE
DURING OVERNIGHT OR HIGH-WIND CONDITIONS, INSTALL TEMPORARY SUPPORTS AND STAKE TAG LINES AT 4 PLACES APPROXIMATELY 90° TO EACH OTHER. REFER TO FIGURE 2.

NOTE
WHEN ATTACHING LIFTING TABS, TEMPORARILY REMOVE SEAM HARDWARE AT THE 9TH HOLE LOCATION.

NOTE
CHECK REFLECTOR PANEL FITS TO INSURE THAT SEAM WIDTHS AND PANELS ARE NOT OVERLAPPING. PROCEED TIGHTENING REFLECTOR PANEL HARDWARE IN A CLOCKWISE MOTION FROM INNER TO OUTER HOLES AFTER TIGHTENING REFLECTOR PANEL HARDWARE, TIGHTEN HARDWARE FOR SKIRT TO RIB CONNECTIONS.

MARK	DATE	DESCRIPTION
1	1/10/79	INITIAL PRODUCTION
2	1/10/79	UPDATER PER REV. LETTER

QTY.	UNIT	DESCRIPTION
1	EA	REFLECTOR PANEL
1	EA	SKIRT
1	EA	FLAT WASHER
1	EA	HEX NUT
1	EA	LOCKWASHER
1	EA	0.312-18UNC X 1.5 LG SCREW
1	EA	0.25-20UNCX1.25 LG BOLT
1	EA	LIFTING TAB
1	EA	2x4x8 FT. LUMBER
1	EA	STAKE
1	EA	TAG LINE

QTY.	UNIT	DESCRIPTION
1	EA	REFLECTOR PANEL
1	EA	SKIRT
1	EA	FLAT WASHER
1	EA	HEX NUT
1	EA	LOCKWASHER
1	EA	0.312-18UNC X 1.5 LG SCREW
1	EA	0.25-20UNCX1.25 LG BOLT
1	EA	LIFTING TAB
1	EA	2x4x8 FT. LUMBER
1	EA	STAKE
1	EA	TAG LINE

QTY.	UNIT	DESCRIPTION
1	EA	REFLECTOR PANEL
1	EA	SKIRT
1	EA	FLAT WASHER
1	EA	HEX NUT
1	EA	LOCKWASHER
1	EA	0.312-18UNC X 1.5 LG SCREW
1	EA	0.25-20UNCX1.25 LG BOLT
1	EA	LIFTING TAB
1	EA	2x4x8 FT. LUMBER
1	EA	STAKE
1	EA	TAG LINE

QTY.	UNIT	DESCRIPTION
1	EA	REFLECTOR PANEL
1	EA	SKIRT
1	EA	FLAT WASHER
1	EA	HEX NUT
1	EA	LOCKWASHER
1	EA	0.312-18UNC X 1.5 LG SCREW
1	EA	0.25-20UNCX1.25 LG BOLT
1	EA	LIFTING TAB
1	EA	2x4x8 FT. LUMBER
1	EA	STAKE
1	EA	TAG LINE

QTY.	UNIT	DESCRIPTION
1	EA	REFLECTOR PANEL
1	EA	SKIRT
1	EA	FLAT WASHER
1	EA	HEX NUT
1	EA	LOCKWASHER
1	EA	0.312-18UNC X 1.5 LG SCREW
1	EA	0.25-20UNCX1.25 LG BOLT
1	EA	LIFTING TAB
1	EA	2x4x8 FT. LUMBER
1	EA	STAKE
1	EA	TAG LINE

QTY.	UNIT	DESCRIPTION
1	EA	REFLECTOR PANEL
1	EA	SKIRT
1	EA	FLAT WASHER
1	EA	HEX NUT
1	EA	LOCKWASHER
1	EA	0.312-18UNC X 1.5 LG SCREW
1	EA	0.25-20UNCX1.25 LG BOLT
1	EA	LIFTING TAB
1	EA	2x4x8 FT. LUMBER
1	EA	STAKE
1	EA	TAG LINE

QTY.	UNIT	DESCRIPTION
1	EA	REFLECTOR PANEL
1	EA	SKIRT
1	EA	FLAT WASHER
1	EA	HEX NUT
1	EA	LOCKWASHER
1	EA	0.312-18UNC X 1.5 LG SCREW
1	EA	0.25-20UNCX1.25 LG BOLT
1	EA	LIFTING TAB
1	EA	2x4x8 FT. LUMBER
1	EA	STAKE
1	EA	TAG LINE

QTY.	UNIT	DESCRIPTION
1	EA	REFLECTOR PANEL
1	EA	SKIRT
1	EA	FLAT WASHER
1	EA	HEX NUT
1	EA	LOCKWASHER
1	EA	0.312-18UNC X 1.5 LG SCREW
1	EA	0.25-20UNCX1.25 LG BOLT
1	EA	LIFTING TAB
1	EA	2x4x8 FT. LUMBER
1	EA	STAKE
1	EA	TAG LINE

QTY.	UNIT	DESCRIPTION
1	EA	REFLECTOR PANEL
1	EA	SKIRT
1	EA	FLAT WASHER
1	EA	HEX NUT
1	EA	LOCKWASHER
1	EA	0.312-18UNC X 1.5 LG SCREW
1	EA	0.25-20UNCX1.25 LG BOLT
1	EA	LIFTING TAB
1	EA	2x4x8 FT. LUMBER
1	EA	STAKE
1	EA	TAG LINE

QTY.	UNIT	DESCRIPTION
1	EA	REFLECTOR PANEL
1	EA	SKIRT
1	EA	FLAT WASHER
1	EA	HEX NUT
1	EA	LOCKWASHER
1	EA	0.312-18UNC X 1.5 LG SCREW
1	EA	0.25-20UNCX1.25 LG BOLT
1	EA	LIFTING TAB
1	EA	2x4x8 FT. LUMBER
1	EA	STAKE
1	EA	TAG LINE

QTY.	UNIT	DESCRIPTION
1	EA	REFLECTOR PANEL
1	EA	SKIRT
1	EA	FLAT WASHER
1	EA	HEX NUT
1	EA	LOCKWASHER
1	EA	0.312-18UNC X 1.5 LG SCREW
1	EA	0.25-20UNCX1.25 LG BOLT
1	EA	LIFTING TAB
1	EA	2x4x8 FT. LUMBER
1	EA	STAKE
1	EA	TAG LINE

QTY.	UNIT	DESCRIPTION
1	EA	REFLECTOR PANEL
1	EA	SKIRT
1	EA	FLAT WASHER
1	EA	HEX NUT
1	EA	LOCKWASHER
1	EA	0.312-18UNC X 1.5 LG SCREW
1	EA	0.25-20UNCX1.25 LG BOLT
1	EA	LIFTING TAB
1	EA	2x4x8 FT. LUMBER
1	EA	STAKE
1	EA	TAG LINE

QTY.	UNIT	DESCRIPTION
1	EA	REFLECTOR PANEL
1	EA	SKIRT
1	EA	FLAT WASHER
1	EA	HEX NUT
1	EA	LOCKWASHER
1	EA	0.312-18UNC X 1.5 LG SCREW
1	EA	0.25-20UNCX1.25 LG BOLT
1	EA	LIFTING TAB
1	EA	2x4x8 FT. LUMBER
1	EA	STAKE
1	EA	TAG LINE

QTY.	UNIT	DESCRIPTION
1	EA	REFLECTOR PANEL
1	EA	SKIRT
1	EA	FLAT WASHER
1	EA	HEX NUT
1	EA	LOCKWASHER
1	EA	0.312-18UNC X 1.5 LG SCREW
1	EA	0.25-20UNCX1.25 LG BOLT
1	EA	LIFTING TAB
1	EA	2x4x8 FT. LUMBER
1	EA	STAKE
1	EA	TAG LINE

QTY.	UNIT	DESCRIPTION
1	EA	REFLECTOR PANEL
1	EA	SKIRT
1	EA	FLAT WASHER
1	EA	HEX NUT
1	EA	LOCKWASHER
1	EA	0.312-18UNC X 1.5 LG SCREW
1	EA	0.25-20UNCX1.25 LG BOLT
1	EA	LIFTING TAB
1	EA	2x4x8 FT. LUMBER
1	EA	STAKE
1	EA	TAG LINE

QTY.	UNIT	DESCRIPTION
1	EA	REFLECTOR PANEL
1	EA	SKIRT
1	EA	FLAT WASHER
1	EA	HEX NUT
1	EA	LOCKWASHER
1	EA	0.312-18UNC X 1.5 LG SCREW
1	EA	0.25-20UNCX1.25 LG BOLT
1	EA	LIFTING TAB
1	EA	2x4x8 FT. LUMBER
1	EA	STAKE
1	EA	TAG LINE

QTY.	UNIT	DESCRIPTION
1	EA	REFLECTOR PANEL
1	EA	SKIRT
1	EA	FLAT WASHER
1	EA	HEX NUT
1	EA	LOCKWASHER
1	EA	0.312-18UNC X 1.5 LG SCREW
1	EA	0.25-20UNCX1.25 LG BOLT
1	EA	LIFTING TAB
1	EA	2x4x8 FT. LUMBER
1	EA	STAKE
1	EA	TAG LINE

QTY.	UNIT	DESCRIPTION
1	EA	REFLECTOR PANEL
1	EA	SKIRT
1	EA	FLAT WASHER
1	EA	HEX NUT
1	EA	LOCKWASHER
1	EA	0.312-18UNC X 1.5 LG SCREW
1	EA	0.25-20UNCX1.25 LG BOLT
1	EA	LIFTING TAB
1	EA	2x4x8 FT. LUMBER
1	EA	STAKE
1	EA	TAG LINE

QTY.	UNIT	DESCRIPTION
1	EA	REFLECTOR PANEL
1	EA	SKIRT
1	EA	FLAT WASHER
1	EA	HEX NUT
1	EA	LOCKWASHER
1	EA	0.312-18UNC X 1.5 LG SCREW
1	EA	0.25-20UNCX1.25 LG BOLT
1	EA	LIFTING TAB
1	EA	2x4x8 FT. LUMBER
1	EA	STAKE
1	EA	TAG LINE

QTY.	UNIT	DESCRIPTION
1	EA	REFLECTOR PANEL
1	EA	SKIRT
1	EA	FLAT WASHER
1	EA	HEX NUT
1	EA	LOCKWASHER
1	EA	0.312-18UNC X 1.5 LG SCREW
1	EA	0.25-20UNCX1.25 LG BOLT
1	EA	LIFTING TAB
1	EA	2x4x8 FT. LUMBER
1	EA	STAKE
1	EA	TAG LINE

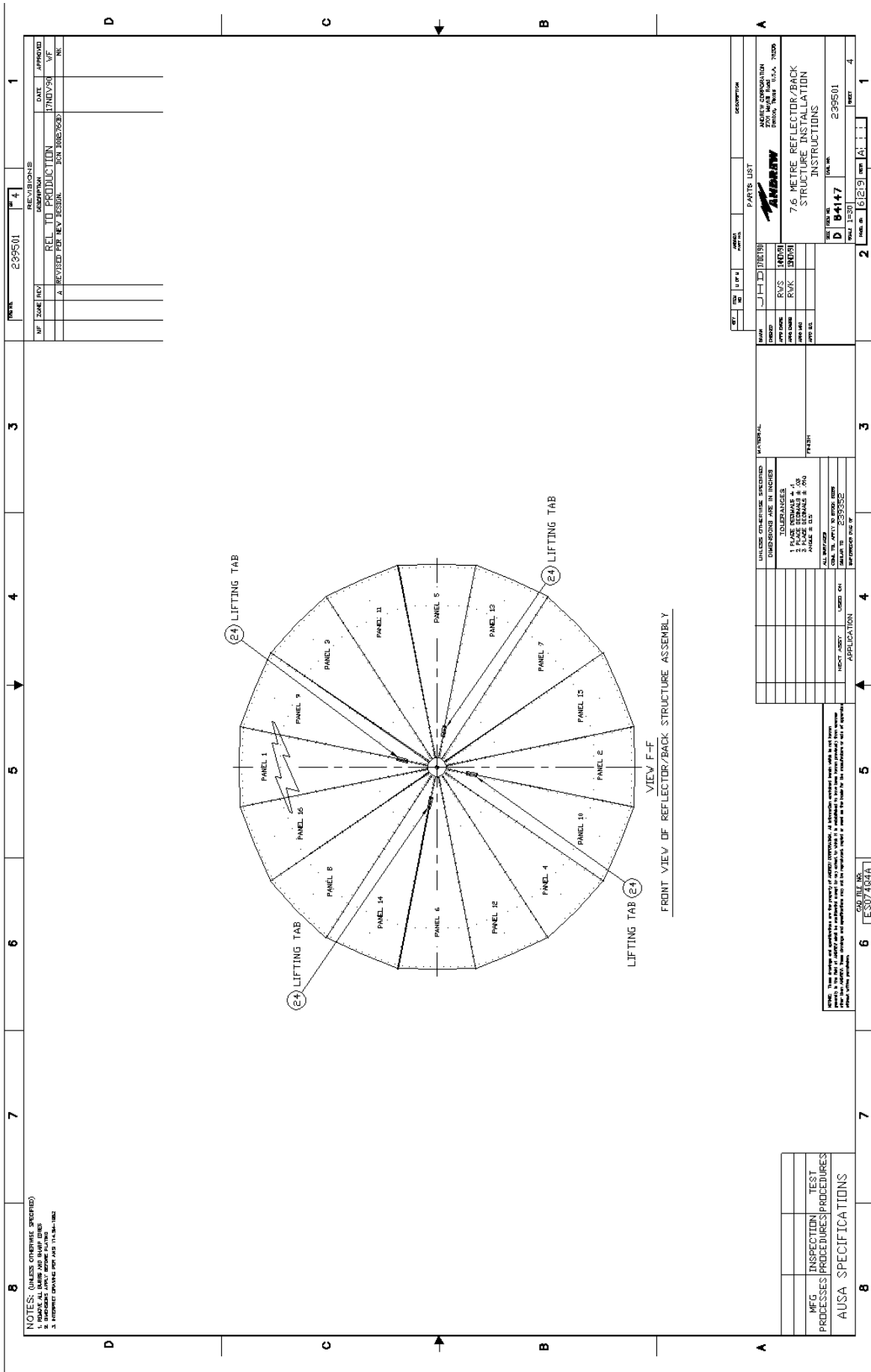
QTY.	UNIT	DESCRIPTION
1	EA	REFLECTOR PANEL
1	EA	SKIRT
1	EA	FLAT WASHER
1	EA	HEX NUT
1	EA	LOCKWASHER
1	EA	0.312-18UNC X 1.5 LG SCREW
1	EA	0.25-20UNCX1.25 LG BOLT
1	EA	LIFTING TAB
1	EA	2x4x8 FT. LUMBER
1	EA	STAKE
1	EA	TAG LINE

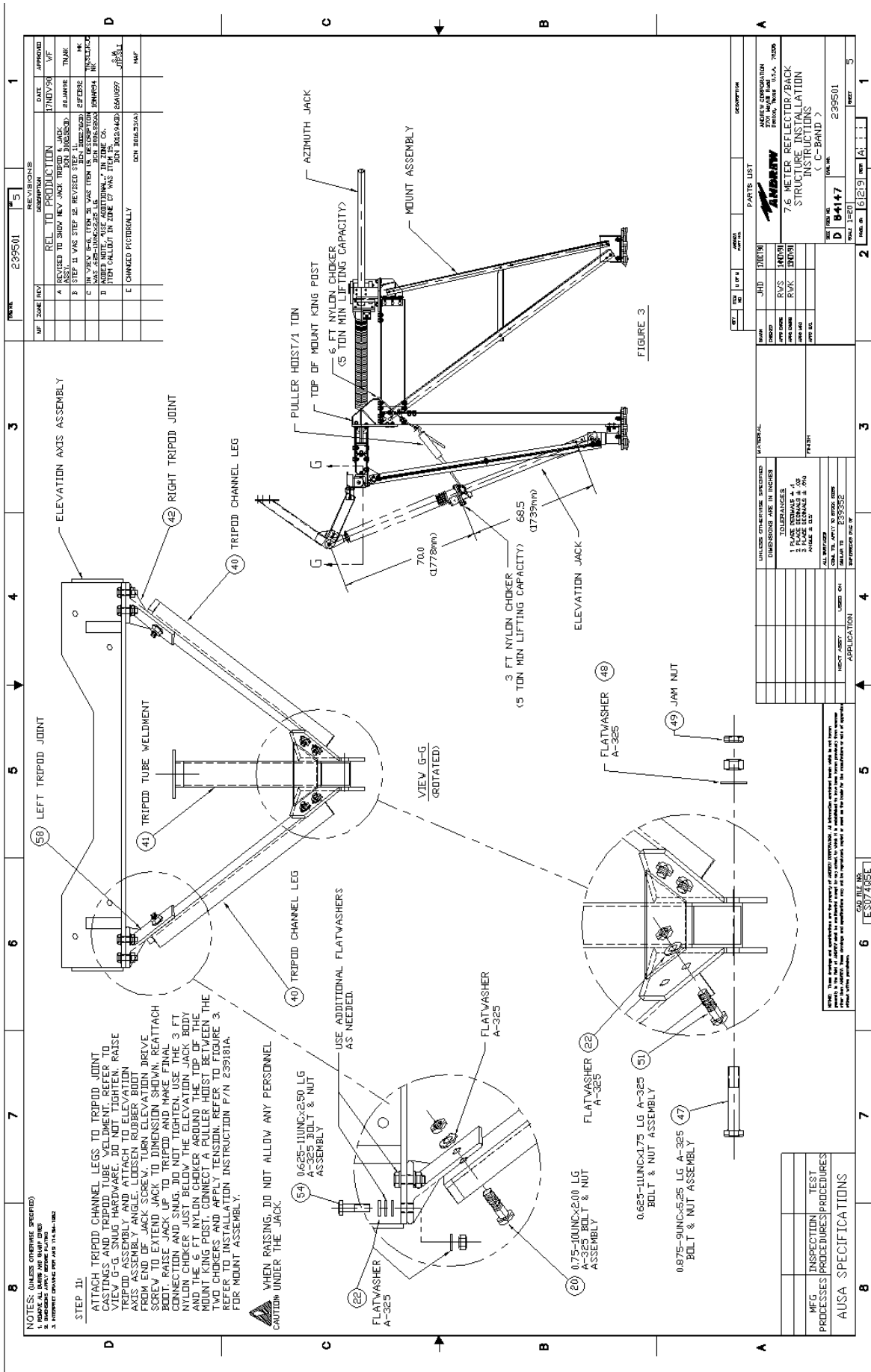
QTY.	UNIT	DESCRIPTION
1	EA	REFLECTOR PANEL
1	EA	SKIRT
1	EA	FLAT WASHER
1	EA	HEX NUT
1	EA	LOCKWASHER
1	EA	0.312-18UNC X 1.5 LG SCREW
1	EA	0.25-20UNCX1.25 LG BOLT
1	EA	LIFTING TAB
1	EA	2x4x8 FT. LUMBER
1	EA	STAKE
1	EA	TAG LINE

QTY.	UNIT	DESCRIPTION
1	EA	REFLECTOR PANEL
1	EA	SKIRT
1	EA	FLAT WASHER
1	EA	HEX NUT
1	EA	LOCKWASHER
1	EA	0.312-18UNC X 1.5 LG SCREW
1	EA	0.25-20UNCX1.25 LG BOLT
1	EA	LIFTING TAB
1	EA	2x4x8 FT. LUMBER
1	EA	STAKE
1	EA	TAG LINE

QTY.	UNIT	DESCRIPTION
1	EA	REFLECTOR PANEL
1	EA	SKIRT
1	EA	FLAT WASHER
1	EA	HEX NUT
1	EA	LOCKWASHER
1	EA	0.312-18UNC X 1.5 LG SCREW
1	EA	0.25-20UNCX1.25 LG BOLT
1	EA	LIFTING TAB
1	EA	2x4x8 FT. LUMBER
1	EA	STAKE
1	EA	TAG LINE

QTY.	UNIT	DESCRIPTION
1	EA	REFLECTOR PANEL
1	EA	SKIRT
1	EA	FLAT WASHER
1	EA	HEX NUT
1	EA	LOCKWASHER





REV	DATE	DESCRIPTION	BY	CHKD	APP'D
1	11/01/94	REVISED TO SHOW JACK TRIPPOD LEG ASSEMBLY	BJ	BJ	BJ
2	11/01/94	REVISED TO SHOW JACK TRIPPOD LEG ASSEMBLY	BJ	BJ	BJ
3	11/01/94	REVISED TO SHOW JACK TRIPPOD LEG ASSEMBLY	BJ	BJ	BJ
4	11/01/94	REVISED TO SHOW JACK TRIPPOD LEG ASSEMBLY	BJ	BJ	BJ
5	11/01/94	REVISED TO SHOW JACK TRIPPOD LEG ASSEMBLY	BJ	BJ	BJ

REV	DATE	DESCRIPTION	BY	CHKD	APP'D
1	11/01/94	REVISED TO SHOW JACK TRIPPOD LEG ASSEMBLY	BJ	BJ	BJ
2	11/01/94	REVISED TO SHOW JACK TRIPPOD LEG ASSEMBLY	BJ	BJ	BJ
3	11/01/94	REVISED TO SHOW JACK TRIPPOD LEG ASSEMBLY	BJ	BJ	BJ
4	11/01/94	REVISED TO SHOW JACK TRIPPOD LEG ASSEMBLY	BJ	BJ	BJ
5	11/01/94	REVISED TO SHOW JACK TRIPPOD LEG ASSEMBLY	BJ	BJ	BJ

REV	DATE	DESCRIPTION	BY	CHKD	APP'D
1	11/01/94	REVISED TO SHOW JACK TRIPPOD LEG ASSEMBLY	BJ	BJ	BJ
2	11/01/94	REVISED TO SHOW JACK TRIPPOD LEG ASSEMBLY	BJ	BJ	BJ
3	11/01/94	REVISED TO SHOW JACK TRIPPOD LEG ASSEMBLY	BJ	BJ	BJ
4	11/01/94	REVISED TO SHOW JACK TRIPPOD LEG ASSEMBLY	BJ	BJ	BJ
5	11/01/94	REVISED TO SHOW JACK TRIPPOD LEG ASSEMBLY	BJ	BJ	BJ

REV	DATE	DESCRIPTION	BY	CHKD	APP'D
1	11/01/94	REVISED TO SHOW JACK TRIPPOD LEG ASSEMBLY	BJ	BJ	BJ
2	11/01/94	REVISED TO SHOW JACK TRIPPOD LEG ASSEMBLY	BJ	BJ	BJ
3	11/01/94	REVISED TO SHOW JACK TRIPPOD LEG ASSEMBLY	BJ	BJ	BJ
4	11/01/94	REVISED TO SHOW JACK TRIPPOD LEG ASSEMBLY	BJ	BJ	BJ
5	11/01/94	REVISED TO SHOW JACK TRIPPOD LEG ASSEMBLY	BJ	BJ	BJ

REV	DATE	DESCRIPTION	BY	CHKD	APP'D
1	11/01/94	REVISED TO SHOW JACK TRIPPOD LEG ASSEMBLY	BJ	BJ	BJ
2	11/01/94	REVISED TO SHOW JACK TRIPPOD LEG ASSEMBLY	BJ	BJ	BJ
3	11/01/94	REVISED TO SHOW JACK TRIPPOD LEG ASSEMBLY	BJ	BJ	BJ
4	11/01/94	REVISED TO SHOW JACK TRIPPOD LEG ASSEMBLY	BJ	BJ	BJ
5	11/01/94	REVISED TO SHOW JACK TRIPPOD LEG ASSEMBLY	BJ	BJ	BJ

REV	DATE	DESCRIPTION	BY	CHKD	APP'D
1	11/01/94	REVISED TO SHOW JACK TRIPPOD LEG ASSEMBLY	BJ	BJ	BJ
2	11/01/94	REVISED TO SHOW JACK TRIPPOD LEG ASSEMBLY	BJ	BJ	BJ
3	11/01/94	REVISED TO SHOW JACK TRIPPOD LEG ASSEMBLY	BJ	BJ	BJ
4	11/01/94	REVISED TO SHOW JACK TRIPPOD LEG ASSEMBLY	BJ	BJ	BJ
5	11/01/94	REVISED TO SHOW JACK TRIPPOD LEG ASSEMBLY	BJ	BJ	BJ

REV	DATE	DESCRIPTION	BY	CHKD	APP'D
1	11/01/94	REVISED TO SHOW JACK TRIPPOD LEG ASSEMBLY	BJ	BJ	BJ
2	11/01/94	REVISED TO SHOW JACK TRIPPOD LEG ASSEMBLY	BJ	BJ	BJ
3	11/01/94	REVISED TO SHOW JACK TRIPPOD LEG ASSEMBLY	BJ	BJ	BJ
4	11/01/94	REVISED TO SHOW JACK TRIPPOD LEG ASSEMBLY	BJ	BJ	BJ
5	11/01/94	REVISED TO SHOW JACK TRIPPOD LEG ASSEMBLY	BJ	BJ	BJ

REV	DATE	DESCRIPTION	BY	CHKD	APP'D
1	11/01/94	REVISED TO SHOW JACK TRIPPOD LEG ASSEMBLY	BJ	BJ	BJ
2	11/01/94	REVISED TO SHOW JACK TRIPPOD LEG ASSEMBLY	BJ	BJ	BJ
3	11/01/94	REVISED TO SHOW JACK TRIPPOD LEG ASSEMBLY	BJ	BJ	BJ
4	11/01/94	REVISED TO SHOW JACK TRIPPOD LEG ASSEMBLY	BJ	BJ	BJ
5	11/01/94	REVISED TO SHOW JACK TRIPPOD LEG ASSEMBLY	BJ	BJ	BJ

REV	DATE	DESCRIPTION	BY	CHKD	APP'D
1	11/01/94	REVISED TO SHOW JACK TRIPPOD LEG ASSEMBLY	BJ	BJ	BJ
2	11/01/94	REVISED TO SHOW JACK TRIPPOD LEG ASSEMBLY	BJ	BJ	BJ
3	11/01/94	REVISED TO SHOW JACK TRIPPOD LEG ASSEMBLY	BJ	BJ	BJ
4	11/01/94	REVISED TO SHOW JACK TRIPPOD LEG ASSEMBLY	BJ	BJ	BJ
5	11/01/94	REVISED TO SHOW JACK TRIPPOD LEG ASSEMBLY	BJ	BJ	BJ

8	7	6	5	4	3	2	1
---	---	---	---	---	---	---	---

NOTES: (UNLESS OTHERWISE SPECIFIED)
 1. DIMENSIONS ARE IN MILLIMETERS
 2. DIMENSIONS ARE IN INCHES
 3. INTERPRET DIMENSIONS PER ASME Y14.5M-1994

4. ITEMS 55, 56 & 57 INCLUDE 2 SPARES.

5. TIGHTENING SEQUENCE: SET DISTANCE SHOWN IN (A), TIGHTEN SECURELY (B), 135 FT-LB (185 N-m), FINGER TIGHTEN (D) THEN TIGHTEN SECURELY (C) 135 FT-LB (185 N-m), LAST, TIGHTEN (D) TO 135 FT-LB (185 N-m).

(A) SET APPROX. 75mm (3.0")

EXPLODED VIEW

ASSEMBLED VIEW

ASSEMBLED VIEW

ASSEMBLED VIEW

ELEVATION PIVOT ASSEMBLY (SOME ITEMS REMOVED FOR CLARITY)

ASSEMBLED VIEW

REVISIONS

REV	DATE	APPROVED
1	REL TO PRODUCTION	SHAWYSE BUA

Part No. 239501 Rev. 7

DESCRIPTION

5/6/7/6 ENCLOSURE MOUNTING INSTRUCTIONS

Part No. 239501

Rev. 7

PARTS LIST

QTY	REV	U OF U	DESCRIPTION
			ANDREW
			AGENCY CORPORATION
			EMERY, WEST U.S.A. 78000

UNLESS OTHERWISE SPECIFIED

DIMENSIONS ARE IN INCHES

TOLERANCES

1. FRACTIONS ± .005

2. DECIMALS ± .005

3. DIMENSIONS ± .005

4. ANGLES ± .01

5. HOLE DIA. ± .005

6. HOLE DIA. ± .005

7. HOLE DIA. ± .005

8. HOLE DIA. ± .005

9. HOLE DIA. ± .005

10. HOLE DIA. ± .005

11. HOLE DIA. ± .005

12. HOLE DIA. ± .005

13. HOLE DIA. ± .005

14. HOLE DIA. ± .005

15. HOLE DIA. ± .005

16. HOLE DIA. ± .005

17. HOLE DIA. ± .005

18. HOLE DIA. ± .005

19. HOLE DIA. ± .005

20. HOLE DIA. ± .005

21. HOLE DIA. ± .005

22. HOLE DIA. ± .005

23. HOLE DIA. ± .005

24. HOLE DIA. ± .005

25. HOLE DIA. ± .005

26. HOLE DIA. ± .005

27. HOLE DIA. ± .005

28. HOLE DIA. ± .005

29. HOLE DIA. ± .005

30. HOLE DIA. ± .005

31. HOLE DIA. ± .005

32. HOLE DIA. ± .005

33. HOLE DIA. ± .005

34. HOLE DIA. ± .005

35. HOLE DIA. ± .005

36. HOLE DIA. ± .005

37. HOLE DIA. ± .005

38. HOLE DIA. ± .005

39. HOLE DIA. ± .005

40. HOLE DIA. ± .005

41. HOLE DIA. ± .005

42. HOLE DIA. ± .005

43. HOLE DIA. ± .005

44. HOLE DIA. ± .005

45. HOLE DIA. ± .005

46. HOLE DIA. ± .005

47. HOLE DIA. ± .005

48. HOLE DIA. ± .005

49. HOLE DIA. ± .005

50. HOLE DIA. ± .005

51. HOLE DIA. ± .005

52. HOLE DIA. ± .005

53. HOLE DIA. ± .005

54. HOLE DIA. ± .005

55. HOLE DIA. ± .005

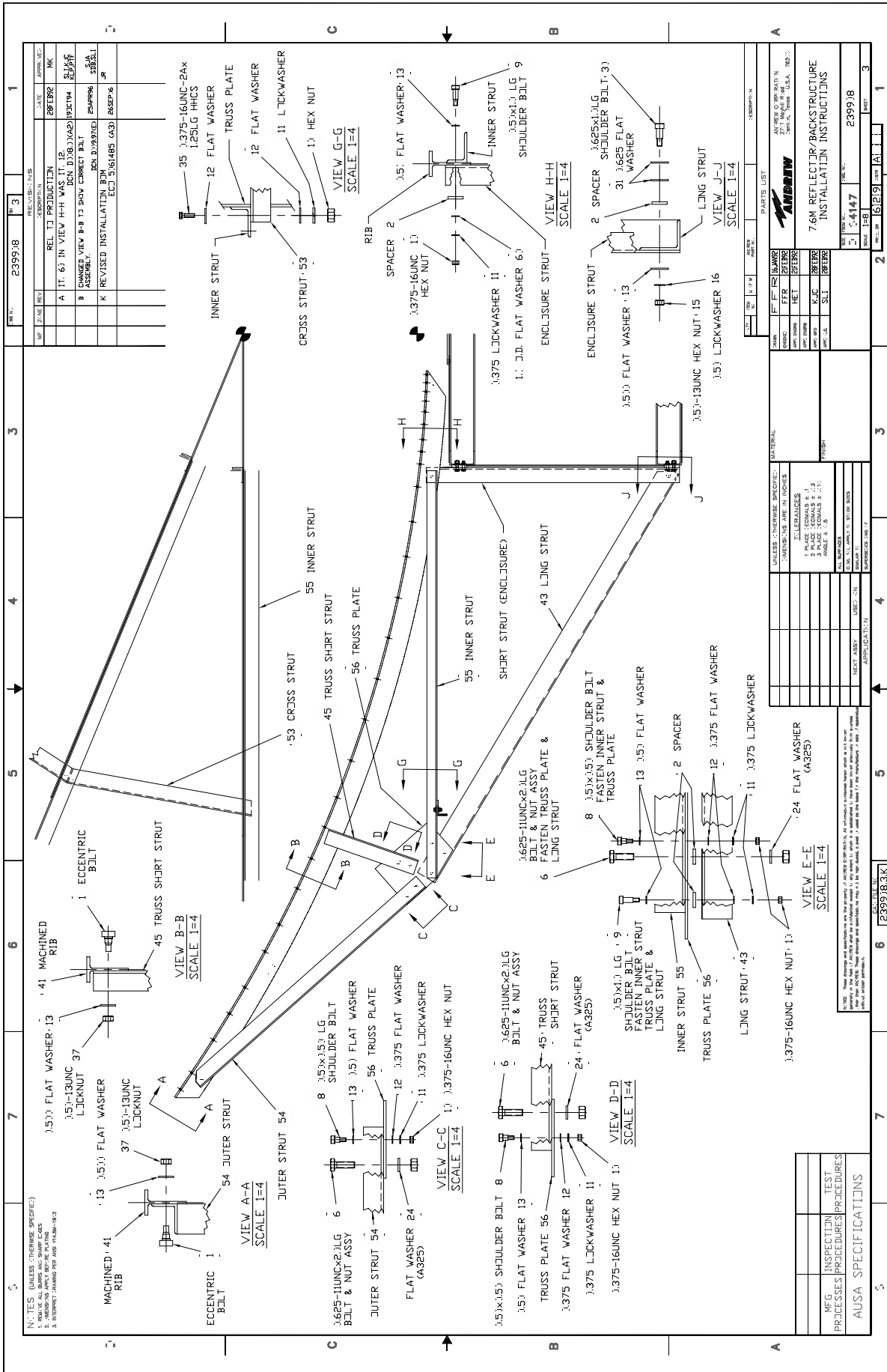
56. HOLE DIA. ± .005

57. HOLE DIA. ± .005

APPLICATION

TEST PROCESSES

AUSA SPECIFICATIONS



7	6	5	4	3	2	1																																																																																																																																																																																																																																																																																																																																																																																																																																																																																																																																																																																																																																																																																																																																																																																																																																																																																																																																																																																																																															
<p>NOTES: (UNLESS OTHERWISE SPECIFIED)</p> <p>1. DIMENSIONS ARE IN INCHES</p> <p>2. DIMENSIONS APPLY UNLESS OTHERWISE SPECIFIED</p> <p>3. INTERFERING PARTS ARE PLATED</p> <p>4. ITEMS 63, 64 & 65 INCLUDE 2 SPARES.</p> <p>5. TIGHTENING SEQUENCE: SET DISTANCE SHOWN IN A, TIGHTEN SECURELY B THEN TIGHTEN SECURELY C 135 FT-LB 185 N-M. LAST, TIGHTEN D 135 FT-LB 185 N-M.</p> <p>A SET APPROX. 75mm (3.0")</p>																																																																																																																																																																																																																																																																																																																																																																																																																																																																																																																																																																																																																																																																																																																																																																																																																																																																																																																																																																																																																																					
<p>ASSEMBLED VIEW</p> <p>ASSEMBLED VIEW</p> <p>ELEVATION PIVOT ASSEMBLY (SOME ITEMS REMOVED FOR CLARITY)</p>																																																																																																																																																																																																																																																																																																																																																																																																																																																																																																																																																																																																																																																																																																																																																																																																																																																																																																																																																																																																																																					
<table border="1" style="width: 100%; border-collapse: collapse;"> <tr> <td colspan="2">PARTS LIST</td> <td colspan="2">DESCRIPTION</td> </tr> <tr> <td>QTY</td> <td>REF</td> <td>PART NO.</td> <td>DESCRIPTION</td> </tr> <tr> <td>1</td> <td>1</td> <td>13258</td> <td>ENCLOSURE</td> </tr> <tr> <td>1</td> <td>2</td> <td>13259</td> <td>DOOR</td> </tr> <tr> <td>1</td> <td>3</td> <td>13260</td> <td>DOOR HINGE</td> </tr> <tr> <td>1</td> <td>4</td> <td>13261</td> <td>DOOR LOCK</td> </tr> <tr> <td>1</td> <td>5</td> <td>13262</td> <td>DOOR HANDLE</td> </tr> <tr> <td>1</td> <td>6</td> <td>13263</td> <td>DOOR GASKET</td> </tr> <tr> <td>1</td> <td>7</td> <td>13264</td> <td>DOOR PIVOT ASSEMBLY</td> </tr> <tr> <td>1</td> <td>8</td> <td>13265</td> <td>DOOR PIVOT ASSEMBLY</td> </tr> <tr> <td>1</td> <td>9</td> <td>13266</td> <td>DOOR PIVOT ASSEMBLY</td> </tr> <tr> <td>1</td> <td>10</td> <td>13267</td> <td>DOOR PIVOT ASSEMBLY</td> </tr> <tr> <td>1</td> <td>11</td> <td>13268</td> <td>DOOR PIVOT ASSEMBLY</td> </tr> <tr> <td>1</td> <td>12</td> <td>13269</td> <td>DOOR PIVOT ASSEMBLY</td> </tr> <tr> <td>1</td> <td>13</td> <td>13270</td> <td>DOOR PIVOT ASSEMBLY</td> </tr> <tr> <td>1</td> <td>14</td> <td>13271</td> <td>DOOR PIVOT ASSEMBLY</td> </tr> <tr> <td>1</td> <td>15</td> <td>13272</td> <td>DOOR PIVOT ASSEMBLY</td> </tr> <tr> <td>1</td> <td>16</td> <td>13273</td> <td>DOOR PIVOT ASSEMBLY</td> </tr> <tr> <td>1</td> <td>17</td> <td>13274</td> <td>DOOR PIVOT ASSEMBLY</td> </tr> <tr> <td>1</td> <td>18</td> <td>13275</td> <td>DOOR PIVOT ASSEMBLY</td> </tr> <tr> <td>1</td> <td>19</td> <td>13276</td> <td>DOOR PIVOT ASSEMBLY</td> </tr> <tr> <td>1</td> <td>20</td> <td>13277</td> <td>DOOR PIVOT ASSEMBLY</td> </tr> <tr> <td>1</td> <td>21</td> <td>13278</td> <td>DOOR PIVOT ASSEMBLY</td> </tr> <tr> <td>1</td> <td>22</td> <td>13279</td> <td>DOOR PIVOT ASSEMBLY</td> </tr> <tr> <td>1</td> <td>23</td> <td>13280</td> <td>DOOR PIVOT ASSEMBLY</td> </tr> <tr> <td>1</td> <td>24</td> <td>13281</td> <td>DOOR PIVOT ASSEMBLY</td> </tr> <tr> <td>1</td> <td>25</td> <td>13282</td> <td>DOOR PIVOT ASSEMBLY</td> </tr> <tr> <td>1</td> <td>26</td> <td>13283</td> <td>DOOR PIVOT ASSEMBLY</td> </tr> <tr> <td>1</td> <td>27</td> <td>13284</td> <td>DOOR PIVOT ASSEMBLY</td> </tr> <tr> <td>1</td> <td>28</td> <td>13285</td> <td>DOOR PIVOT ASSEMBLY</td> </tr> <tr> <td>1</td> <td>29</td> <td>13286</td> <td>DOOR PIVOT ASSEMBLY</td> </tr> <tr> <td>1</td> <td>30</td> <td>13287</td> <td>DOOR PIVOT ASSEMBLY</td> </tr> <tr> <td>1</td> <td>31</td> <td>13288</td> <td>DOOR PIVOT ASSEMBLY</td> </tr> <tr> <td>1</td> <td>32</td> <td>13289</td> <td>DOOR PIVOT ASSEMBLY</td> </tr> <tr> <td>1</td> <td>33</td> <td>13290</td> <td>DOOR PIVOT ASSEMBLY</td> </tr> <tr> <td>1</td> <td>34</td> <td>13291</td> <td>DOOR PIVOT ASSEMBLY</td> </tr> <tr> <td>1</td> <td>35</td> <td>13292</td> <td>DOOR PIVOT ASSEMBLY</td> </tr> <tr> <td>1</td> <td>36</td> <td>13293</td> <td>DOOR PIVOT ASSEMBLY</td> </tr> <tr> <td>1</td> <td>37</td> <td>13294</td> <td>DOOR PIVOT ASSEMBLY</td> </tr> <tr> <td>1</td> <td>38</td> <td>13295</td> <td>DOOR PIVOT ASSEMBLY</td> </tr> <tr> <td>1</td> <td>39</td> <td>13296</td> <td>DOOR PIVOT ASSEMBLY</td> </tr> <tr> <td>1</td> <td>40</td> <td>13297</td> <td>DOOR PIVOT ASSEMBLY</td> </tr> <tr> <td>1</td> <td>41</td> <td>13298</td> <td>DOOR PIVOT ASSEMBLY</td> </tr> <tr> <td>1</td> <td>42</td> <td>13299</td> <td>DOOR PIVOT ASSEMBLY</td> </tr> <tr> <td>1</td> <td>43</td> <td>13300</td> <td>DOOR PIVOT ASSEMBLY</td> </tr> <tr> <td>1</td> <td>44</td> <td>13301</td> <td>DOOR PIVOT ASSEMBLY</td> </tr> <tr> <td>1</td> <td>45</td> <td>13302</td> <td>DOOR PIVOT ASSEMBLY</td> </tr> <tr> <td>1</td> <td>46</td> <td>13303</td> <td>DOOR PIVOT ASSEMBLY</td> </tr> <tr> <td>1</td> <td>47</td> <td>13304</td> <td>DOOR PIVOT ASSEMBLY</td> </tr> <tr> <td>1</td> <td>48</td> <td>13305</td> <td>DOOR PIVOT ASSEMBLY</td> </tr> <tr> <td>1</td> <td>49</td> <td>13306</td> <td>DOOR PIVOT ASSEMBLY</td> </tr> <tr> <td>1</td> <td>50</td> <td>13307</td> <td>DOOR PIVOT ASSEMBLY</td> </tr> <tr> <td>1</td> <td>51</td> <td>13308</td> <td>DOOR PIVOT ASSEMBLY</td> </tr> <tr> <td>1</td> <td>52</td> <td>13309</td> <td>DOOR PIVOT ASSEMBLY</td> </tr> <tr> <td>1</td> <td>53</td> <td>13310</td> <td>DOOR PIVOT ASSEMBLY</td> </tr> <tr> <td>1</td> <td>54</td> <td>13311</td> <td>DOOR PIVOT ASSEMBLY</td> </tr> <tr> <td>1</td> <td>55</td> <td>13312</td> <td>DOOR PIVOT ASSEMBLY</td> </tr> <tr> <td>1</td> <td>56</td> <td>13313</td> <td>DOOR PIVOT ASSEMBLY</td> </tr> <tr> <td>1</td> <td>57</td> <td>13314</td> <td>DOOR PIVOT ASSEMBLY</td> </tr> <tr> <td>1</td> <td>58</td> <td>13315</td> <td>DOOR PIVOT ASSEMBLY</td> </tr> <tr> <td>1</td> <td>59</td> <td>13316</td> <td>DOOR PIVOT ASSEMBLY</td> </tr> <tr> <td>1</td> <td>60</td> <td>13317</td> <td>DOOR PIVOT ASSEMBLY</td> </tr> <tr> <td>1</td> <td>61</td> <td>13318</td> <td>DOOR PIVOT ASSEMBLY</td> </tr> <tr> <td>1</td> <td>62</td> <td>13319</td> <td>DOOR PIVOT ASSEMBLY</td> </tr> <tr> <td>1</td> <td>63</td> <td>13320</td> <td>DOOR PIVOT ASSEMBLY</td> </tr> <tr> <td>1</td> <td>64</td> <td>13321</td> <td>DOOR PIVOT ASSEMBLY</td> </tr> <tr> <td>1</td> <td>65</td> <td>13322</td> <td>DOOR PIVOT ASSEMBLY</td> </tr> <tr> <td>1</td> <td>66</td> <td>13323</td> <td>DOOR PIVOT ASSEMBLY</td> </tr> <tr> <td>1</td> <td>67</td> <td>13324</td> <td>DOOR PIVOT ASSEMBLY</td> </tr> <tr> <td>1</td> <td>68</td> <td>13325</td> <td>DOOR PIVOT ASSEMBLY</td> </tr> <tr> <td>1</td> <td>69</td> <td>13326</td> <td>DOOR PIVOT ASSEMBLY</td> </tr> <tr> <td>1</td> <td>70</td> <td>13327</td> <td>DOOR PIVOT ASSEMBLY</td> </tr> <tr> <td>1</td> <td>71</td> <td>13328</td> <td>DOOR PIVOT ASSEMBLY</td> </tr> <tr> <td>1</td> <td>72</td> <td>13329</td> <td>DOOR PIVOT ASSEMBLY</td> </tr> <tr> <td>1</td> <td>73</td> <td>13330</td> <td>DOOR PIVOT ASSEMBLY</td> </tr> <tr> <td>1</td> <td>74</td> <td>13331</td> <td>DOOR PIVOT ASSEMBLY</td> </tr> <tr> <td>1</td> <td>75</td> <td>13332</td> <td>DOOR PIVOT ASSEMBLY</td> </tr> <tr> <td>1</td> <td>76</td> <td>13333</td> <td>DOOR PIVOT ASSEMBLY</td> </tr> <tr> <td>1</td> <td>77</td> <td>13334</td> <td>DOOR PIVOT ASSEMBLY</td> </tr> <tr> <td>1</td> <td>78</td> <td>13335</td> <td>DOOR PIVOT ASSEMBLY</td> </tr> <tr> <td>1</td> <td>79</td> <td>13336</td> <td>DOOR PIVOT ASSEMBLY</td> </tr> <tr> <td>1</td> <td>80</td> <td>13337</td> <td>DOOR PIVOT ASSEMBLY</td> </tr> <tr> <td>1</td> <td>81</td> <td>13338</td> <td>DOOR PIVOT ASSEMBLY</td> </tr> <tr> <td>1</td> <td>82</td> <td>13339</td> <td>DOOR PIVOT ASSEMBLY</td> </tr> <tr> <td>1</td> <td>83</td> <td>13340</td> <td>DOOR PIVOT ASSEMBLY</td> </tr> <tr> <td>1</td> <td>84</td> <td>13341</td> <td>DOOR PIVOT ASSEMBLY</td> </tr> <tr> <td>1</td> <td>85</td> <td>13342</td> <td>DOOR PIVOT ASSEMBLY</td> </tr> <tr> <td>1</td> <td>86</td> <td>13343</td> <td>DOOR PIVOT ASSEMBLY</td> </tr> <tr> <td>1</td> <td>87</td> <td>13344</td> <td>DOOR PIVOT ASSEMBLY</td> </tr> <tr> <td>1</td> <td>88</td> <td>13345</td> <td>DOOR PIVOT ASSEMBLY</td> </tr> <tr> <td>1</td> <td>89</td> <td>13346</td> <td>DOOR PIVOT ASSEMBLY</td> </tr> <tr> <td>1</td> <td>90</td> <td>13347</td> <td>DOOR PIVOT ASSEMBLY</td> </tr> <tr> <td>1</td> <td>91</td> <td>13348</td> <td>DOOR PIVOT ASSEMBLY</td> </tr> <tr> <td>1</td> <td>92</td> <td>13349</td> <td>DOOR PIVOT ASSEMBLY</td> </tr> <tr> <td>1</td> <td>93</td> <td>13350</td> <td>DOOR PIVOT ASSEMBLY</td> </tr> <tr> <td>1</td> <td>94</td> <td>13351</td> <td>DOOR PIVOT ASSEMBLY</td> </tr> <tr> <td>1</td> <td>95</td> <td>13352</td> <td>DOOR PIVOT ASSEMBLY</td> </tr> <tr> <td>1</td> <td>96</td> <td>13353</td> <td>DOOR PIVOT ASSEMBLY</td> </tr> <tr> <td>1</td> <td>97</td> <td>13354</td> <td>DOOR PIVOT ASSEMBLY</td> </tr> <tr> <td>1</td> <td>98</td> <td>13355</td> <td>DOOR PIVOT ASSEMBLY</td> </tr> <tr> <td>1</td> <td>99</td> <td>13356</td> <td>DOOR PIVOT ASSEMBLY</td> </tr> <tr> <td>1</td> <td>100</td> <td>13357</td> <td>DOOR PIVOT ASSEMBLY</td> </tr> <tr> <td>1</td> <td>101</td> <td>13358</td> <td>DOOR PIVOT ASSEMBLY</td> </tr> <tr> <td>1</td> <td>102</td> <td>13359</td> <td>DOOR PIVOT ASSEMBLY</td> </tr> <tr> <td>1</td> <td>103</td> <td>13360</td> <td>DOOR PIVOT ASSEMBLY</td> </tr> <tr> <td>1</td> <td>104</td> <td>13361</td> <td>DOOR PIVOT ASSEMBLY</td> </tr> <tr> <td>1</td> <td>105</td> <td>13362</td> <td>DOOR PIVOT ASSEMBLY</td> </tr> <tr> <td>1</td> <td>106</td> <td>13363</td> <td>DOOR PIVOT ASSEMBLY</td> </tr> <tr> <td>1</td> <td>107</td> <td>13364</td> <td>DOOR PIVOT ASSEMBLY</td> </tr> <tr> <td>1</td> <td>108</td> <td>13365</td> <td>DOOR PIVOT ASSEMBLY</td> </tr> <tr> <td>1</td> <td>109</td> <td>13366</td> <td>DOOR PIVOT ASSEMBLY</td> </tr> <tr> <td>1</td> <td>110</td> <td>13367</td> <td>DOOR PIVOT ASSEMBLY</td> </tr> <tr> <td>1</td> <td>111</td> <td>13368</td> <td>DOOR PIVOT ASSEMBLY</td> </tr> <tr> <td>1</td> <td>112</td> <td>13369</td> <td>DOOR PIVOT ASSEMBLY</td> </tr> <tr> <td>1</td> <td>113</td> <td>13370</td> <td>DOOR PIVOT ASSEMBLY</td> </tr> <tr> <td>1</td> <td>114</td> <td>13371</td> <td>DOOR PIVOT ASSEMBLY</td> </tr> <tr> <td>1</td> <td>115</td> <td>13372</td> <td>DOOR PIVOT ASSEMBLY</td> </tr> <tr> <td>1</td> <td>116</td> <td>13373</td> <td>DOOR PIVOT ASSEMBLY</td> </tr> <tr> <td>1</td> <td>117</td> <td>13374</td> <td>DOOR PIVOT ASSEMBLY</td> </tr> <tr> <td>1</td> <td>118</td> <td>13375</td> <td>DOOR PIVOT ASSEMBLY</td> </tr> <tr> <td>1</td> <td>119</td> <td>13376</td> <td>DOOR PIVOT ASSEMBLY</td> </tr> <tr> <td>1</td> <td>120</td> <td>13377</td> <td>DOOR PIVOT ASSEMBLY</td> </tr> <tr> <td>1</td> <td>121</td> <td>13378</td> <td>DOOR PIVOT ASSEMBLY</td> </tr> <tr> <td>1</td> <td>122</td> <td>13379</td> <td>DOOR PIVOT ASSEMBLY</td> </tr> <tr> <td>1</td> <td>123</td> <td>13380</td> <td>DOOR PIVOT ASSEMBLY</td> </tr> <tr> <td>1</td> <td>124</td> <td>13381</td> <td>DOOR PIVOT ASSEMBLY</td> </tr> <tr> <td>1</td> <td>125</td> <td>13382</td> <td>DOOR PIVOT ASSEMBLY</td> </tr> <tr> <td>1</td> <td>126</td> <td>13383</td> <td>DOOR PIVOT ASSEMBLY</td> </tr> <tr> <td>1</td> <td>127</td> <td>13384</td> <td>DOOR PIVOT ASSEMBLY</td> </tr> <tr> <td>1</td> <td>128</td> <td>13385</td> <td>DOOR PIVOT ASSEMBLY</td> </tr> <tr> <td>1</td> <td>129</td> <td>13386</td> <td>DOOR PIVOT ASSEMBLY</td> </tr> <tr> <td>1</td> <td>130</td> <td>13387</td> <td>DOOR PIVOT ASSEMBLY</td> </tr> <tr> <td>1</td> <td>131</td> <td>13388</td> <td>DOOR PIVOT ASSEMBLY</td> </tr> <tr> <td>1</td> <td>132</td> <td>13389</td> <td>DOOR PIVOT ASSEMBLY</td> </tr> <tr> <td>1</td> <td>133</td> <td>13390</td> <td>DOOR PIVOT ASSEMBLY</td> </tr> <tr> <td>1</td> <td>134</td> <td>13391</td> <td>DOOR PIVOT ASSEMBLY</td> </tr> <tr> <td>1</td> <td>135</td> <td>13392</td> <td>DOOR PIVOT ASSEMBLY</td> </tr> <tr> <td>1</td> <td>136</td> <td>13393</td> <td>DOOR PIVOT ASSEMBLY</td> </tr> <tr> <td>1</td> <td>137</td> <td>13394</td> <td>DOOR PIVOT ASSEMBLY</td> </tr> <tr> <td>1</td> <td>138</td> <td>13395</td> <td>DOOR PIVOT ASSEMBLY</td> </tr> <tr> <td>1</td> <td>139</td> <td>13396</td> <td>DOOR PIVOT ASSEMBLY</td> </tr> <tr> <td>1</td> <td>140</td> <td>13397</td> <td>DOOR PIVOT ASSEMBLY</td> </tr> <tr> <td>1</td> <td>141</td> <td>13398</td> <td>DOOR PIVOT ASSEMBLY</td> </tr> <tr> <td>1</td> <td>142</td> <td>13399</td> <td>DOOR PIVOT ASSEMBLY</td> </tr> <tr> <td>1</td> <td>143</td> <td>13400</td> <td>DOOR PIVOT ASSEMBLY</td> </tr> <tr> <td>1</td> <td>144</td> <td>13401</td> <td>DOOR PIVOT ASSEMBLY</td> </tr> <tr> <td>1</td> <td>145</td> <td>13402</td> <td>DOOR PIVOT ASSEMBLY</td> </tr> <tr> <td>1</td> <td>146</td> <td>13403</td> <td>DOOR PIVOT ASSEMBLY</td> </tr> <tr> <td>1</td> <td>147</td> <td>13404</td> <td>DOOR PIVOT ASSEMBLY</td> </tr> <tr> <td>1</td> <td>148</td> <td>13405</td> <td>DOOR PIVOT ASSEMBLY</td> </tr> <tr> <td>1</td> <td>149</td> <td>13406</td> <td>DOOR PIVOT ASSEMBLY</td> </tr> <tr> <td>1</td> <td>150</td> <td>13407</td> <td>DOOR PIVOT ASSEMBLY</td> </tr> <tr> <td>1</td> <td>151</td> <td>13408</td> <td>DOOR PIVOT ASSEMBLY</td> </tr> <tr> <td>1</td> <td>152</td> <td>13409</td> <td>DOOR PIVOT ASSEMBLY</td> </tr> <tr> <td>1</td> <td>153</td> <td>13410</td> <td>DOOR PIVOT ASSEMBLY</td> </tr> <tr> <td>1</td> <td>154</td> <td>13411</td> <td>DOOR PIVOT ASSEMBLY</td> </tr> <tr> <td>1</td> <td>155</td> <td>13412</td> <td>DOOR PIVOT ASSEMBLY</td> </tr> <tr> <td>1</td> <td>156</td> <td>13413</td> <td>DOOR PIVOT ASSEMBLY</td> </tr> <tr> <td>1</td> <td>157</td> <td>13414</td> <td>DOOR PIVOT ASSEMBLY</td> </tr> <tr> <td>1</td> <td>158</td> <td>13415</td> <td>DOOR PIVOT ASSEMBLY</td> </tr> <tr> <td>1</td> <td>159</td> <td>13416</td> <td>DOOR PIVOT ASSEMBLY</td> </tr> <tr> <td>1</td> <td>160</td> <td>13417</td> <td>DOOR PIVOT ASSEMBLY</td> </tr> <tr> <td>1</td> <td>161</td> <td>13418</td> <td>DOOR PIVOT ASSEMBLY</td> </tr> <tr> <td>1</td> <td>162</td> <td>13419</td> <td>DOOR PIVOT ASSEMBLY</td> </tr> <tr> <td>1</td> <td>163</td> <td>13420</td> <td>DOOR PIVOT ASSEMBLY</td> </tr> <tr> <td>1</td> <td>164</td> <td>13421</td> <td>DOOR PIVOT ASSEMBLY</td> </tr> <tr> <td>1</td> <td>165</td> <td>13422</td> <td>DOOR PIVOT ASSEMBLY</td> </tr> <tr> <td>1</td> <td>166</td> <td>13423</td> <td>DOOR PIVOT ASSEMBLY</td> </tr> <tr> <td>1</td> <td>167</td> <td>13424</td> <td>DOOR PIVOT ASSEMBLY</td> </tr> <tr> <td>1</td> <td>168</td> <td>13425</td> <td>DOOR PIVOT ASSEMBLY</td> </tr> <tr> <td>1</td> <td>169</td> <td>13426</td> <td>DOOR PIVOT ASSEMBLY</td> </tr> <tr> <td>1</td> <td>170</td> <td>13427</td> <td>DOOR PIVOT ASSEMBLY</td> </tr> <tr> <td>1</td> <td>171</td> <td>13428</td> <td>DOOR PIVOT ASSEMBLY</td> </tr> <tr> <td>1</td> <td>172</td> <td>13429</td> <td>DOOR PIVOT ASSEMBLY</td> </tr> <tr> <td>1</td> <td>173</td> <td>13430</td> <td>DOOR PIVOT ASSEMBLY</td> </tr> <tr> <td>1</td> <td>174</td> <td>13431</td> <td>DOOR PIVOT ASSEMBLY</td> </tr> <tr> <td>1</td> <td>175</td> <td>13432</td> <td>DOOR PIVOT ASSEMBLY</td> </tr> <tr> <td>1</td> <td>176</td> <td>13433</td> <td>DOOR PIVOT ASSEMBLY</td> </tr> <tr> <td>1</td> <td>177</td> <td>13434</td> <td>DOOR PIVOT ASSEMBLY</td> </tr> <tr> <td>1</td> <td>178</td> <td>13435</td> <td>DOOR PIVOT ASSEMBLY</td> </tr> <tr> <td>1</td> <td>179</td> <td>13436</td> <td>DOOR PIVOT ASSEMBLY</td> </tr> <tr> <td>1</td> <td>180</td> <td>13437</td> <td>DOOR PIVOT ASSEMBLY</td> </tr> <tr> <td>1</td> <td>181</td> <td>13438</td> <td>DOOR PIVOT ASSEMBLY</td> </tr> <tr> <td>1</td> <td>182</td> <td>13439</td> <td>DOOR PIVOT ASSEMBLY</td> </tr> <tr> <td>1</td> <td>183</td> <td>13440</td> <td>DOOR PIVOT ASSEMBLY</td> </tr> <tr> <td>1</td> <td>184</td> <td>13441</td> <td>DOOR PIVOT ASSEMBLY</td> </tr> <tr> <td>1</td> <td>185</td> <td>13442</td> <td>DOOR PIVOT ASSEMBLY</td> </tr> <tr> <td>1</td> <td>186</td> <td>13443</td> <td>DOOR PIVOT ASSEMBLY</td> </tr> <tr> <td>1</td> <td>187</td> <td>13444</td> <td>DOOR PIVOT ASSEMBLY</td> </tr> <tr> <td>1</td> <td>188</td> <td>13445</td> <td>DOOR PIVOT ASSEMBLY</td> </tr> <tr> <td>1</td> <td>189</td> <td>13446</td> <td>DOOR PIVOT ASSEMBLY</td> </tr> <tr> <td>1</td> <td>190</td> <td>13447</td> <td>DOOR PIVOT ASSEMBLY</td> </tr> <tr> <td>1</td> <td>191</td> <td>13448</td> <td>DOOR PIVOT ASSEMBLY</td> </tr> <tr> <td>1</td> <td>192</td> <td>13449</td> <td>DOOR PIVOT ASSEMBLY</td> </tr> <tr> <td>1</td> <td>193</td> <td>13450</td> <td>DOOR PIVOT ASSEMBLY</td> </tr> <tr> <td>1</td> <td>194</td> <td>13451</td> <td>DOOR PIVOT ASSEMBLY</td> </tr> <tr> <td>1</td> <td>195</td> <td>13452</td> <td>DOOR PIVOT ASSEMBLY</td> </tr> <tr> <td>1</td> <td>196</td> <td>13453</td> <td>DOOR PIVOT ASSEMBLY</td> </tr> <tr> <td>1</td> <td>197</td> <td>13454</td> <td>DOOR PIVOT ASSEMBLY</td> </tr> <tr> <td>1</td> <td>198</td> <td>13455</td> <td>DOOR PIVOT ASSEMBLY</td> </tr> <tr> <td>1</td> <td>199</td> <td>13456</td> <td>DOOR PIVOT ASSEMBLY</td> </tr> <tr> <td>1</td> <td>200</td> <td>13457</td> <td>DOOR PIVOT ASSEMBLY</td> </tr> <tr> <td>1</td> <td>201</td> <td>13458</td> <td>DOOR PIVOT ASSEMBLY</td> </tr> <tr> <td>1</td> <td>202</td> <td>13459</td> <td>DOOR PIVOT ASSEMBLY</td> </tr> <tr> <td>1</td> <td>203</td> <td>13460</td> <td>DOOR PIVOT ASSEMBLY</td> </tr> <tr> <td>1</td> <td>204</td> <td>13461</td> <td>DOOR PIVOT ASSEMBLY</td> </tr> <tr> <td>1</td> <td>205</td> <td>13462</td> <td>DOOR PIVOT ASSEMBLY</td> </tr> <tr> <td>1</td> <td>206</td> <td>13463</td> <td>DOOR PIVOT ASSEMBLY</td> </tr> <tr> <td>1</td> <td>207</td> <td>13464</td> <td>DOOR PIVOT ASSEMBLY</td> </tr> <tr> <td>1</td> <td>208</td> <td>13465</td> <td>DOOR PIVOT ASSEMBLY</td> </tr> <tr> <td>1</td> <td>209</td> <td>13466</td> <td>DOOR PIVOT ASSEMBLY</td> </tr> <tr> <td>1</td> <td>210</td> <td>13467</td> <td>DOOR PIVOT ASSEMBLY</td> </tr> <tr> <td>1</td> <td>211</td> <td>13468</td> <td>DOOR PIVOT ASSEMBLY</td> </tr> <tr> <td>1</td> <td>212</td> <td>13469</td> <td>DOOR PIVOT ASSEMBLY</td> </tr> <tr> <td>1</td> <td>213</td> <td>13470</td> <td>DOOR PIVOT ASSEMBLY</td> </tr> <tr> <td>1</td> <td>214</td> <td>13471</td> <td>DOOR PIVOT ASSEMBLY</td> </tr> <tr> <td>1</td> <td>215</td> <td>13472</td> <td>DOOR PIVOT ASSEMBLY</td> </tr> <tr> <td>1</td> <td>216</td> <td>13473</td> <td>DOOR PIVOT ASSEMBLY</td> </tr> <tr> <td>1</td> <td>217</td> <td>13474</td> <td>DOOR PIVOT ASSEMBLY</td> </tr> <tr> <td>1</td> <td>218</td> <td>13475</td> <td>DOOR PIVOT ASSEMBLY</td> </tr> <tr> <td>1</td> <td>219</td> <td>13476</td> <td>DOOR PIVOT ASSEMBLY</td> </tr> <tr> <td>1</td> <td>220</td> <td>13477</td> <td>DOOR PIVOT ASSEMBLY</td> </tr> <tr> <td>1</td> <td>221</td> <td>13478</td> <td>DOOR PIVOT ASSEMBLY</td> </tr> <tr> <td>1</td> <td>222</td> <td>13479</td> <td>DOOR PIVOT ASSEMBLY</td> </tr> <tr> <td>1</td> <td>223</td> <td>13480</td> <td>DOOR PIVOT ASSEMBLY</td> </tr> <tr> <td>1</td> <td>224</td> <td>13481</td> <td>DOOR PIVOT ASSEMBLY</td> </tr> <tr> <td>1</td> <td>225</td> <td>13482</td> <td>DOOR PIVOT ASSEMBLY</td> </tr> <tr> <td>1</td> <td>226</td> <td>13483</td> <td>DOOR PIVOT ASSEMBLY</td> </tr> <tr> <td>1</td> <td>227</td> <td>13484</td> <td>DOOR PIVOT ASSEMBLY</td> </tr> <tr> <td>1</td> <td>228</td> <td>13485</td> <td>DOOR PIVOT ASSEMBLY</td> </tr> <tr> <td>1</td> <td>229</td> <td>13486</td> <td>DOOR PIVOT ASSEMBLY</td> </tr> <tr> <td>1</td> <td>230</td> <td>13487</td> <td>DOOR PIVOT ASSEMBLY</td> </tr> <tr> <td>1</td> <td>231</td> <td>13488</td> <td>DOOR PIVOT ASSEMBLY</td> </tr> <tr> <td>1</td> <td>232</td> <td>13489</td> <td>DOOR PIVOT ASSEMBLY</td> </tr> <tr> <td>1</td> <td>233</td> <td>13490</td> <td>DOOR PIVOT ASSEMBLY</td> </tr> <tr> <td>1</td> <td>234</td> <td>13491</td> <td>DOOR PIVOT ASSEMBLY</td> </tr> <tr> <td>1</td> <td>235</td> <td>13492</td> <td>DOOR PIVOT ASSEMBLY</td> </tr> <tr> <td>1</td> <td>236</td> <td>13493</td> <td>DOOR PIVOT ASSEMBLY</td> </tr> <tr> <td>1</td> <td>237</td> <td>13494</td> <td>DOOR PIVOT ASSEMBLY</td> </tr> <tr> <td>1</td> <td>238</td> <td>13495</td> <td>DOOR PIVOT ASSEMBLY</td> </tr> <tr> <td>1</td> <td>239</td> <td>13496</td> <td>DOOR PIVOT ASSEMBLY</td> </tr> <tr> <td>1</td> <td>240</td> <td>13497</td> <td>DOOR PIVOT ASSEMBLY</td> </tr> <tr> <td>1</td> <td>241</td> <td>13498</td> <td>DOOR PIVOT ASSEMBLY</td> </tr> <tr> <td>1</td> <td>242</td> <td>13499</td> <td>DOOR PIVOT ASSEMBLY</td> </tr> <tr> <td>1</td> <td>243</td> <td>13500</td> <td>DOOR PIVOT ASSEMBLY</td> </tr> <tr> <td>1</td> <td>244</td> <td>13501</td> <td>DOOR PIVOT ASSEMBLY</td> </tr> <tr> <td>1</td> <td>245</td> <td>13502</td> <td>DOOR PIVOT ASSEMBLY</td> </tr> <tr> <td>1</td> <td>246</td> <td>13</td></tr></table>							PARTS LIST		DESCRIPTION		QTY	REF	PART NO.	DESCRIPTION	1	1	13258	ENCLOSURE	1	2	13259	DOOR	1	3	13260	DOOR HINGE	1	4	13261	DOOR LOCK	1	5	13262	DOOR HANDLE	1	6	13263	DOOR GASKET	1	7	13264	DOOR PIVOT ASSEMBLY	1	8	13265	DOOR PIVOT ASSEMBLY	1	9	13266	DOOR PIVOT ASSEMBLY	1	10	13267	DOOR PIVOT ASSEMBLY	1	11	13268	DOOR PIVOT ASSEMBLY	1	12	13269	DOOR PIVOT ASSEMBLY	1	13	13270	DOOR PIVOT ASSEMBLY	1	14	13271	DOOR PIVOT ASSEMBLY	1	15	13272	DOOR PIVOT ASSEMBLY	1	16	13273	DOOR PIVOT ASSEMBLY	1	17	13274	DOOR PIVOT ASSEMBLY	1	18	13275	DOOR PIVOT ASSEMBLY	1	19	13276	DOOR PIVOT ASSEMBLY	1	20	13277	DOOR PIVOT ASSEMBLY	1	21	13278	DOOR PIVOT ASSEMBLY	1	22	13279	DOOR PIVOT ASSEMBLY	1	23	13280	DOOR PIVOT ASSEMBLY	1	24	13281	DOOR PIVOT ASSEMBLY	1	25	13282	DOOR PIVOT ASSEMBLY	1	26	13283	DOOR PIVOT ASSEMBLY	1	27	13284	DOOR PIVOT ASSEMBLY	1	28	13285	DOOR PIVOT ASSEMBLY	1	29	13286	DOOR PIVOT ASSEMBLY	1	30	13287	DOOR PIVOT ASSEMBLY	1	31	13288	DOOR PIVOT ASSEMBLY	1	32	13289	DOOR PIVOT ASSEMBLY	1	33	13290	DOOR PIVOT ASSEMBLY	1	34	13291	DOOR PIVOT ASSEMBLY	1	35	13292	DOOR PIVOT ASSEMBLY	1	36	13293	DOOR PIVOT ASSEMBLY	1	37	13294	DOOR PIVOT ASSEMBLY	1	38	13295	DOOR PIVOT ASSEMBLY	1	39	13296	DOOR PIVOT ASSEMBLY	1	40	13297	DOOR PIVOT ASSEMBLY	1	41	13298	DOOR PIVOT ASSEMBLY	1	42	13299	DOOR PIVOT ASSEMBLY	1	43	13300	DOOR PIVOT ASSEMBLY	1	44	13301	DOOR PIVOT ASSEMBLY	1	45	13302	DOOR PIVOT ASSEMBLY	1	46	13303	DOOR PIVOT ASSEMBLY	1	47	13304	DOOR PIVOT ASSEMBLY	1	48	13305	DOOR PIVOT ASSEMBLY	1	49	13306	DOOR PIVOT ASSEMBLY	1	50	13307	DOOR PIVOT ASSEMBLY	1	51	13308	DOOR PIVOT ASSEMBLY	1	52	13309	DOOR PIVOT ASSEMBLY	1	53	13310	DOOR PIVOT ASSEMBLY	1	54	13311	DOOR PIVOT ASSEMBLY	1	55	13312	DOOR PIVOT ASSEMBLY	1	56	13313	DOOR PIVOT ASSEMBLY	1	57	13314	DOOR PIVOT ASSEMBLY	1	58	13315	DOOR PIVOT ASSEMBLY	1	59	13316	DOOR PIVOT ASSEMBLY	1	60	13317	DOOR PIVOT ASSEMBLY	1	61	13318	DOOR PIVOT ASSEMBLY	1	62	13319	DOOR PIVOT ASSEMBLY	1	63	13320	DOOR PIVOT ASSEMBLY	1	64	13321	DOOR PIVOT ASSEMBLY	1	65	13322	DOOR PIVOT ASSEMBLY	1	66	13323	DOOR PIVOT ASSEMBLY	1	67	13324	DOOR PIVOT ASSEMBLY	1	68	13325	DOOR PIVOT ASSEMBLY	1	69	13326	DOOR PIVOT ASSEMBLY	1	70	13327	DOOR PIVOT ASSEMBLY	1	71	13328	DOOR PIVOT ASSEMBLY	1	72	13329	DOOR PIVOT ASSEMBLY	1	73	13330	DOOR PIVOT ASSEMBLY	1	74	13331	DOOR PIVOT ASSEMBLY	1	75	13332	DOOR PIVOT ASSEMBLY	1	76	13333	DOOR PIVOT ASSEMBLY	1	77	13334	DOOR PIVOT ASSEMBLY	1	78	13335	DOOR PIVOT ASSEMBLY	1	79	13336	DOOR PIVOT ASSEMBLY	1	80	13337	DOOR PIVOT ASSEMBLY	1	81	13338	DOOR PIVOT ASSEMBLY	1	82	13339	DOOR PIVOT ASSEMBLY	1	83	13340	DOOR PIVOT ASSEMBLY	1	84	13341	DOOR PIVOT ASSEMBLY	1	85	13342	DOOR PIVOT ASSEMBLY	1	86	13343	DOOR PIVOT ASSEMBLY	1	87	13344	DOOR PIVOT ASSEMBLY	1	88	13345	DOOR PIVOT ASSEMBLY	1	89	13346	DOOR PIVOT ASSEMBLY	1	90	13347	DOOR PIVOT ASSEMBLY	1	91	13348	DOOR PIVOT ASSEMBLY	1	92	13349	DOOR PIVOT ASSEMBLY	1	93	13350	DOOR PIVOT ASSEMBLY	1	94	13351	DOOR PIVOT ASSEMBLY	1	95	13352	DOOR PIVOT ASSEMBLY	1	96	13353	DOOR PIVOT ASSEMBLY	1	97	13354	DOOR PIVOT ASSEMBLY	1	98	13355	DOOR PIVOT ASSEMBLY	1	99	13356	DOOR PIVOT ASSEMBLY	1	100	13357	DOOR PIVOT ASSEMBLY	1	101	13358	DOOR PIVOT ASSEMBLY	1	102	13359	DOOR PIVOT ASSEMBLY	1	103	13360	DOOR PIVOT ASSEMBLY	1	104	13361	DOOR PIVOT ASSEMBLY	1	105	13362	DOOR PIVOT ASSEMBLY	1	106	13363	DOOR PIVOT ASSEMBLY	1	107	13364	DOOR PIVOT ASSEMBLY	1	108	13365	DOOR PIVOT ASSEMBLY	1	109	13366	DOOR PIVOT ASSEMBLY	1	110	13367	DOOR PIVOT ASSEMBLY	1	111	13368	DOOR PIVOT ASSEMBLY	1	112	13369	DOOR PIVOT ASSEMBLY	1	113	13370	DOOR PIVOT ASSEMBLY	1	114	13371	DOOR PIVOT ASSEMBLY	1	115	13372	DOOR PIVOT ASSEMBLY	1	116	13373	DOOR PIVOT ASSEMBLY	1	117	13374	DOOR PIVOT ASSEMBLY	1	118	13375	DOOR PIVOT ASSEMBLY	1	119	13376	DOOR PIVOT ASSEMBLY	1	120	13377	DOOR PIVOT ASSEMBLY	1	121	13378	DOOR PIVOT ASSEMBLY	1	122	13379	DOOR PIVOT ASSEMBLY	1	123	13380	DOOR PIVOT ASSEMBLY	1	124	13381	DOOR PIVOT ASSEMBLY	1	125	13382	DOOR PIVOT ASSEMBLY	1	126	13383	DOOR PIVOT ASSEMBLY	1	127	13384	DOOR PIVOT ASSEMBLY	1	128	13385	DOOR PIVOT ASSEMBLY	1	129	13386	DOOR PIVOT ASSEMBLY	1	130	13387	DOOR PIVOT ASSEMBLY	1	131	13388	DOOR PIVOT ASSEMBLY	1	132	13389	DOOR PIVOT ASSEMBLY	1	133	13390	DOOR PIVOT ASSEMBLY	1	134	13391	DOOR PIVOT ASSEMBLY	1	135	13392	DOOR PIVOT ASSEMBLY	1	136	13393	DOOR PIVOT ASSEMBLY	1	137	13394	DOOR PIVOT ASSEMBLY	1	138	13395	DOOR PIVOT ASSEMBLY	1	139	13396	DOOR PIVOT ASSEMBLY	1	140	13397	DOOR PIVOT ASSEMBLY	1	141	13398	DOOR PIVOT ASSEMBLY	1	142	13399	DOOR PIVOT ASSEMBLY	1	143	13400	DOOR PIVOT ASSEMBLY	1	144	13401	DOOR PIVOT ASSEMBLY	1	145	13402	DOOR PIVOT ASSEMBLY	1	146	13403	DOOR PIVOT ASSEMBLY	1	147	13404	DOOR PIVOT ASSEMBLY	1	148	13405	DOOR PIVOT ASSEMBLY	1	149	13406	DOOR PIVOT ASSEMBLY	1	150	13407	DOOR PIVOT ASSEMBLY	1	151	13408	DOOR PIVOT ASSEMBLY	1	152	13409	DOOR PIVOT ASSEMBLY	1	153	13410	DOOR PIVOT ASSEMBLY	1	154	13411	DOOR PIVOT ASSEMBLY	1	155	13412	DOOR PIVOT ASSEMBLY	1	156	13413	DOOR PIVOT ASSEMBLY	1	157	13414	DOOR PIVOT ASSEMBLY	1	158	13415	DOOR PIVOT ASSEMBLY	1	159	13416	DOOR PIVOT ASSEMBLY	1	160	13417	DOOR PIVOT ASSEMBLY	1	161	13418	DOOR PIVOT ASSEMBLY	1	162	13419	DOOR PIVOT ASSEMBLY	1	163	13420	DOOR PIVOT ASSEMBLY	1	164	13421	DOOR PIVOT ASSEMBLY	1	165	13422	DOOR PIVOT ASSEMBLY	1	166	13423	DOOR PIVOT ASSEMBLY	1	167	13424	DOOR PIVOT ASSEMBLY	1	168	13425	DOOR PIVOT ASSEMBLY	1	169	13426	DOOR PIVOT ASSEMBLY	1	170	13427	DOOR PIVOT ASSEMBLY	1	171	13428	DOOR PIVOT ASSEMBLY	1	172	13429	DOOR PIVOT ASSEMBLY	1	173	13430	DOOR PIVOT ASSEMBLY	1	174	13431	DOOR PIVOT ASSEMBLY	1	175	13432	DOOR PIVOT ASSEMBLY	1	176	13433	DOOR PIVOT ASSEMBLY	1	177	13434	DOOR PIVOT ASSEMBLY	1	178	13435	DOOR PIVOT ASSEMBLY	1	179	13436	DOOR PIVOT ASSEMBLY	1	180	13437	DOOR PIVOT ASSEMBLY	1	181	13438	DOOR PIVOT ASSEMBLY	1	182	13439	DOOR PIVOT ASSEMBLY	1	183	13440	DOOR PIVOT ASSEMBLY	1	184	13441	DOOR PIVOT ASSEMBLY	1	185	13442	DOOR PIVOT ASSEMBLY	1	186	13443	DOOR PIVOT ASSEMBLY	1	187	13444	DOOR PIVOT ASSEMBLY	1	188	13445	DOOR PIVOT ASSEMBLY	1	189	13446	DOOR PIVOT ASSEMBLY	1	190	13447	DOOR PIVOT ASSEMBLY	1	191	13448	DOOR PIVOT ASSEMBLY	1	192	13449	DOOR PIVOT ASSEMBLY	1	193	13450	DOOR PIVOT ASSEMBLY	1	194	13451	DOOR PIVOT ASSEMBLY	1	195	13452	DOOR PIVOT ASSEMBLY	1	196	13453	DOOR PIVOT ASSEMBLY	1	197	13454	DOOR PIVOT ASSEMBLY	1	198	13455	DOOR PIVOT ASSEMBLY	1	199	13456	DOOR PIVOT ASSEMBLY	1	200	13457	DOOR PIVOT ASSEMBLY	1	201	13458	DOOR PIVOT ASSEMBLY	1	202	13459	DOOR PIVOT ASSEMBLY	1	203	13460	DOOR PIVOT ASSEMBLY	1	204	13461	DOOR PIVOT ASSEMBLY	1	205	13462	DOOR PIVOT ASSEMBLY	1	206	13463	DOOR PIVOT ASSEMBLY	1	207	13464	DOOR PIVOT ASSEMBLY	1	208	13465	DOOR PIVOT ASSEMBLY	1	209	13466	DOOR PIVOT ASSEMBLY	1	210	13467	DOOR PIVOT ASSEMBLY	1	211	13468	DOOR PIVOT ASSEMBLY	1	212	13469	DOOR PIVOT ASSEMBLY	1	213	13470	DOOR PIVOT ASSEMBLY	1	214	13471	DOOR PIVOT ASSEMBLY	1	215	13472	DOOR PIVOT ASSEMBLY	1	216	13473	DOOR PIVOT ASSEMBLY	1	217	13474	DOOR PIVOT ASSEMBLY	1	218	13475	DOOR PIVOT ASSEMBLY	1	219	13476	DOOR PIVOT ASSEMBLY	1	220	13477	DOOR PIVOT ASSEMBLY	1	221	13478	DOOR PIVOT ASSEMBLY	1	222	13479	DOOR PIVOT ASSEMBLY	1	223	13480	DOOR PIVOT ASSEMBLY	1	224	13481	DOOR PIVOT ASSEMBLY	1	225	13482	DOOR PIVOT ASSEMBLY	1	226	13483	DOOR PIVOT ASSEMBLY	1	227	13484	DOOR PIVOT ASSEMBLY	1	228	13485	DOOR PIVOT ASSEMBLY	1	229	13486	DOOR PIVOT ASSEMBLY	1	230	13487	DOOR PIVOT ASSEMBLY	1	231	13488	DOOR PIVOT ASSEMBLY	1	232	13489	DOOR PIVOT ASSEMBLY	1	233	13490	DOOR PIVOT ASSEMBLY	1	234	13491	DOOR PIVOT ASSEMBLY	1	235	13492	DOOR PIVOT ASSEMBLY	1	236	13493	DOOR PIVOT ASSEMBLY	1	237	13494	DOOR PIVOT ASSEMBLY	1	238	13495	DOOR PIVOT ASSEMBLY	1	239	13496	DOOR PIVOT ASSEMBLY	1	240	13497	DOOR PIVOT ASSEMBLY	1	241	13498	DOOR PIVOT ASSEMBLY	1	242	13499	DOOR PIVOT ASSEMBLY	1	243	13500	DOOR PIVOT ASSEMBLY	1	244	13501	DOOR PIVOT ASSEMBLY	1	245	13502	DOOR PIVOT ASSEMBLY	1	246	13
PARTS LIST		DESCRIPTION																																																																																																																																																																																																																																																																																																																																																																																																																																																																																																																																																																																																																																																																																																																																																																																																																																																																																																																																																																																																																																			
QTY	REF	PART NO.	DESCRIPTION																																																																																																																																																																																																																																																																																																																																																																																																																																																																																																																																																																																																																																																																																																																																																																																																																																																																																																																																																																																																																																		
1	1	13258	ENCLOSURE																																																																																																																																																																																																																																																																																																																																																																																																																																																																																																																																																																																																																																																																																																																																																																																																																																																																																																																																																																																																																																		
1	2	13259	DOOR																																																																																																																																																																																																																																																																																																																																																																																																																																																																																																																																																																																																																																																																																																																																																																																																																																																																																																																																																																																																																																		
1	3	13260	DOOR HINGE																																																																																																																																																																																																																																																																																																																																																																																																																																																																																																																																																																																																																																																																																																																																																																																																																																																																																																																																																																																																																																		
1	4	13261	DOOR LOCK																																																																																																																																																																																																																																																																																																																																																																																																																																																																																																																																																																																																																																																																																																																																																																																																																																																																																																																																																																																																																																		
1	5	13262	DOOR HANDLE																																																																																																																																																																																																																																																																																																																																																																																																																																																																																																																																																																																																																																																																																																																																																																																																																																																																																																																																																																																																																																		
1	6	13263	DOOR GASKET																																																																																																																																																																																																																																																																																																																																																																																																																																																																																																																																																																																																																																																																																																																																																																																																																																																																																																																																																																																																																																		
1	7	13264	DOOR PIVOT ASSEMBLY																																																																																																																																																																																																																																																																																																																																																																																																																																																																																																																																																																																																																																																																																																																																																																																																																																																																																																																																																																																																																																		
1	8	13265	DOOR PIVOT ASSEMBLY																																																																																																																																																																																																																																																																																																																																																																																																																																																																																																																																																																																																																																																																																																																																																																																																																																																																																																																																																																																																																																		
1	9	13266	DOOR PIVOT ASSEMBLY																																																																																																																																																																																																																																																																																																																																																																																																																																																																																																																																																																																																																																																																																																																																																																																																																																																																																																																																																																																																																																		
1	10	13267	DOOR PIVOT ASSEMBLY																																																																																																																																																																																																																																																																																																																																																																																																																																																																																																																																																																																																																																																																																																																																																																																																																																																																																																																																																																																																																																		
1	11	13268	DOOR PIVOT ASSEMBLY																																																																																																																																																																																																																																																																																																																																																																																																																																																																																																																																																																																																																																																																																																																																																																																																																																																																																																																																																																																																																																		
1	12	13269	DOOR PIVOT ASSEMBLY																																																																																																																																																																																																																																																																																																																																																																																																																																																																																																																																																																																																																																																																																																																																																																																																																																																																																																																																																																																																																																		
1	13	13270	DOOR PIVOT ASSEMBLY																																																																																																																																																																																																																																																																																																																																																																																																																																																																																																																																																																																																																																																																																																																																																																																																																																																																																																																																																																																																																																		
1	14	13271	DOOR PIVOT ASSEMBLY																																																																																																																																																																																																																																																																																																																																																																																																																																																																																																																																																																																																																																																																																																																																																																																																																																																																																																																																																																																																																																		
1	15	13272	DOOR PIVOT ASSEMBLY																																																																																																																																																																																																																																																																																																																																																																																																																																																																																																																																																																																																																																																																																																																																																																																																																																																																																																																																																																																																																																		
1	16	13273	DOOR PIVOT ASSEMBLY																																																																																																																																																																																																																																																																																																																																																																																																																																																																																																																																																																																																																																																																																																																																																																																																																																																																																																																																																																																																																																		
1	17	13274	DOOR PIVOT ASSEMBLY																																																																																																																																																																																																																																																																																																																																																																																																																																																																																																																																																																																																																																																																																																																																																																																																																																																																																																																																																																																																																																		
1	18	13275	DOOR PIVOT ASSEMBLY																																																																																																																																																																																																																																																																																																																																																																																																																																																																																																																																																																																																																																																																																																																																																																																																																																																																																																																																																																																																																																		
1	19	13276	DOOR PIVOT ASSEMBLY																																																																																																																																																																																																																																																																																																																																																																																																																																																																																																																																																																																																																																																																																																																																																																																																																																																																																																																																																																																																																																		
1	20	13277	DOOR PIVOT ASSEMBLY																																																																																																																																																																																																																																																																																																																																																																																																																																																																																																																																																																																																																																																																																																																																																																																																																																																																																																																																																																																																																																		
1	21	13278	DOOR PIVOT ASSEMBLY																																																																																																																																																																																																																																																																																																																																																																																																																																																																																																																																																																																																																																																																																																																																																																																																																																																																																																																																																																																																																																		
1	22	13279	DOOR PIVOT ASSEMBLY																																																																																																																																																																																																																																																																																																																																																																																																																																																																																																																																																																																																																																																																																																																																																																																																																																																																																																																																																																																																																																		
1	23	13280	DOOR PIVOT ASSEMBLY																																																																																																																																																																																																																																																																																																																																																																																																																																																																																																																																																																																																																																																																																																																																																																																																																																																																																																																																																																																																																																		
1	24	13281	DOOR PIVOT ASSEMBLY																																																																																																																																																																																																																																																																																																																																																																																																																																																																																																																																																																																																																																																																																																																																																																																																																																																																																																																																																																																																																																		
1	25	13282	DOOR PIVOT ASSEMBLY																																																																																																																																																																																																																																																																																																																																																																																																																																																																																																																																																																																																																																																																																																																																																																																																																																																																																																																																																																																																																																		
1	26	13283	DOOR PIVOT ASSEMBLY																																																																																																																																																																																																																																																																																																																																																																																																																																																																																																																																																																																																																																																																																																																																																																																																																																																																																																																																																																																																																																		
1	27	13284	DOOR PIVOT ASSEMBLY																																																																																																																																																																																																																																																																																																																																																																																																																																																																																																																																																																																																																																																																																																																																																																																																																																																																																																																																																																																																																																		
1	28	13285	DOOR PIVOT ASSEMBLY																																																																																																																																																																																																																																																																																																																																																																																																																																																																																																																																																																																																																																																																																																																																																																																																																																																																																																																																																																																																																																		
1	29	13286	DOOR PIVOT ASSEMBLY																																																																																																																																																																																																																																																																																																																																																																																																																																																																																																																																																																																																																																																																																																																																																																																																																																																																																																																																																																																																																																		
1	30	13287	DOOR PIVOT ASSEMBLY																																																																																																																																																																																																																																																																																																																																																																																																																																																																																																																																																																																																																																																																																																																																																																																																																																																																																																																																																																																																																																		
1	31	13288	DOOR PIVOT ASSEMBLY																																																																																																																																																																																																																																																																																																																																																																																																																																																																																																																																																																																																																																																																																																																																																																																																																																																																																																																																																																																																																																		
1	32	13289	DOOR PIVOT ASSEMBLY																																																																																																																																																																																																																																																																																																																																																																																																																																																																																																																																																																																																																																																																																																																																																																																																																																																																																																																																																																																																																																		
1	33	13290	DOOR PIVOT ASSEMBLY																																																																																																																																																																																																																																																																																																																																																																																																																																																																																																																																																																																																																																																																																																																																																																																																																																																																																																																																																																																																																																		
1	34	13291	DOOR PIVOT ASSEMBLY																																																																																																																																																																																																																																																																																																																																																																																																																																																																																																																																																																																																																																																																																																																																																																																																																																																																																																																																																																																																																																		
1	35	13292	DOOR PIVOT ASSEMBLY																																																																																																																																																																																																																																																																																																																																																																																																																																																																																																																																																																																																																																																																																																																																																																																																																																																																																																																																																																																																																																		
1	36	13293	DOOR PIVOT ASSEMBLY																																																																																																																																																																																																																																																																																																																																																																																																																																																																																																																																																																																																																																																																																																																																																																																																																																																																																																																																																																																																																																		
1	37	13294	DOOR PIVOT ASSEMBLY																																																																																																																																																																																																																																																																																																																																																																																																																																																																																																																																																																																																																																																																																																																																																																																																																																																																																																																																																																																																																																		
1	38	13295	DOOR PIVOT ASSEMBLY																																																																																																																																																																																																																																																																																																																																																																																																																																																																																																																																																																																																																																																																																																																																																																																																																																																																																																																																																																																																																																		
1	39	13296	DOOR PIVOT ASSEMBLY																																																																																																																																																																																																																																																																																																																																																																																																																																																																																																																																																																																																																																																																																																																																																																																																																																																																																																																																																																																																																																		
1	40	13297	DOOR PIVOT ASSEMBLY																																																																																																																																																																																																																																																																																																																																																																																																																																																																																																																																																																																																																																																																																																																																																																																																																																																																																																																																																																																																																																		
1	41	13298	DOOR PIVOT ASSEMBLY																																																																																																																																																																																																																																																																																																																																																																																																																																																																																																																																																																																																																																																																																																																																																																																																																																																																																																																																																																																																																																		
1	42	13299	DOOR PIVOT ASSEMBLY																																																																																																																																																																																																																																																																																																																																																																																																																																																																																																																																																																																																																																																																																																																																																																																																																																																																																																																																																																																																																																		
1	43	13300	DOOR PIVOT ASSEMBLY																																																																																																																																																																																																																																																																																																																																																																																																																																																																																																																																																																																																																																																																																																																																																																																																																																																																																																																																																																																																																																		
1	44	13301	DOOR PIVOT ASSEMBLY																																																																																																																																																																																																																																																																																																																																																																																																																																																																																																																																																																																																																																																																																																																																																																																																																																																																																																																																																																																																																																		
1	45	13302	DOOR PIVOT ASSEMBLY																																																																																																																																																																																																																																																																																																																																																																																																																																																																																																																																																																																																																																																																																																																																																																																																																																																																																																																																																																																																																																		
1	46	13303	DOOR PIVOT ASSEMBLY																																																																																																																																																																																																																																																																																																																																																																																																																																																																																																																																																																																																																																																																																																																																																																																																																																																																																																																																																																																																																																		
1	47	13304	DOOR PIVOT ASSEMBLY																																																																																																																																																																																																																																																																																																																																																																																																																																																																																																																																																																																																																																																																																																																																																																																																																																																																																																																																																																																																																																		
1	48	13305	DOOR PIVOT ASSEMBLY																																																																																																																																																																																																																																																																																																																																																																																																																																																																																																																																																																																																																																																																																																																																																																																																																																																																																																																																																																																																																																		
1	49	13306	DOOR PIVOT ASSEMBLY																																																																																																																																																																																																																																																																																																																																																																																																																																																																																																																																																																																																																																																																																																																																																																																																																																																																																																																																																																																																																																		
1	50	13307	DOOR PIVOT ASSEMBLY																																																																																																																																																																																																																																																																																																																																																																																																																																																																																																																																																																																																																																																																																																																																																																																																																																																																																																																																																																																																																																		
1	51	13308	DOOR PIVOT ASSEMBLY																																																																																																																																																																																																																																																																																																																																																																																																																																																																																																																																																																																																																																																																																																																																																																																																																																																																																																																																																																																																																																		
1	52	13309	DOOR PIVOT ASSEMBLY																																																																																																																																																																																																																																																																																																																																																																																																																																																																																																																																																																																																																																																																																																																																																																																																																																																																																																																																																																																																																																		
1	53	13310	DOOR PIVOT ASSEMBLY																																																																																																																																																																																																																																																																																																																																																																																																																																																																																																																																																																																																																																																																																																																																																																																																																																																																																																																																																																																																																																		
1	54	13311	DOOR PIVOT ASSEMBLY																																																																																																																																																																																																																																																																																																																																																																																																																																																																																																																																																																																																																																																																																																																																																																																																																																																																																																																																																																																																																																		
1	55	13312	DOOR PIVOT ASSEMBLY																																																																																																																																																																																																																																																																																																																																																																																																																																																																																																																																																																																																																																																																																																																																																																																																																																																																																																																																																																																																																																		
1	56	13313	DOOR PIVOT ASSEMBLY																																																																																																																																																																																																																																																																																																																																																																																																																																																																																																																																																																																																																																																																																																																																																																																																																																																																																																																																																																																																																																		
1	57	13314	DOOR PIVOT ASSEMBLY																																																																																																																																																																																																																																																																																																																																																																																																																																																																																																																																																																																																																																																																																																																																																																																																																																																																																																																																																																																																																																		
1	58	13315	DOOR PIVOT ASSEMBLY																																																																																																																																																																																																																																																																																																																																																																																																																																																																																																																																																																																																																																																																																																																																																																																																																																																																																																																																																																																																																																		
1	59	13316	DOOR PIVOT ASSEMBLY																																																																																																																																																																																																																																																																																																																																																																																																																																																																																																																																																																																																																																																																																																																																																																																																																																																																																																																																																																																																																																		
1	60	13317	DOOR PIVOT ASSEMBLY																																																																																																																																																																																																																																																																																																																																																																																																																																																																																																																																																																																																																																																																																																																																																																																																																																																																																																																																																																																																																																		
1	61	13318	DOOR PIVOT ASSEMBLY																																																																																																																																																																																																																																																																																																																																																																																																																																																																																																																																																																																																																																																																																																																																																																																																																																																																																																																																																																																																																																		
1	62	13319	DOOR PIVOT ASSEMBLY																																																																																																																																																																																																																																																																																																																																																																																																																																																																																																																																																																																																																																																																																																																																																																																																																																																																																																																																																																																																																																		
1	63	13320	DOOR PIVOT ASSEMBLY																																																																																																																																																																																																																																																																																																																																																																																																																																																																																																																																																																																																																																																																																																																																																																																																																																																																																																																																																																																																																																		
1	64	13321	DOOR PIVOT ASSEMBLY																																																																																																																																																																																																																																																																																																																																																																																																																																																																																																																																																																																																																																																																																																																																																																																																																																																																																																																																																																																																																																		
1	65	13322	DOOR PIVOT ASSEMBLY																																																																																																																																																																																																																																																																																																																																																																																																																																																																																																																																																																																																																																																																																																																																																																																																																																																																																																																																																																																																																																		
1	66	13323	DOOR PIVOT ASSEMBLY																																																																																																																																																																																																																																																																																																																																																																																																																																																																																																																																																																																																																																																																																																																																																																																																																																																																																																																																																																																																																																		
1	67	13324	DOOR PIVOT ASSEMBLY																																																																																																																																																																																																																																																																																																																																																																																																																																																																																																																																																																																																																																																																																																																																																																																																																																																																																																																																																																																																																																		
1	68	13325	DOOR PIVOT ASSEMBLY																																																																																																																																																																																																																																																																																																																																																																																																																																																																																																																																																																																																																																																																																																																																																																																																																																																																																																																																																																																																																																		
1	69	13326	DOOR PIVOT ASSEMBLY																																																																																																																																																																																																																																																																																																																																																																																																																																																																																																																																																																																																																																																																																																																																																																																																																																																																																																																																																																																																																																		
1	70	13327	DOOR PIVOT ASSEMBLY																																																																																																																																																																																																																																																																																																																																																																																																																																																																																																																																																																																																																																																																																																																																																																																																																																																																																																																																																																																																																																		
1	71	13328	DOOR PIVOT ASSEMBLY																																																																																																																																																																																																																																																																																																																																																																																																																																																																																																																																																																																																																																																																																																																																																																																																																																																																																																																																																																																																																																		
1	72	13329	DOOR PIVOT ASSEMBLY																																																																																																																																																																																																																																																																																																																																																																																																																																																																																																																																																																																																																																																																																																																																																																																																																																																																																																																																																																																																																																		
1	73	13330	DOOR PIVOT ASSEMBLY																																																																																																																																																																																																																																																																																																																																																																																																																																																																																																																																																																																																																																																																																																																																																																																																																																																																																																																																																																																																																																		
1	74	13331	DOOR PIVOT ASSEMBLY																																																																																																																																																																																																																																																																																																																																																																																																																																																																																																																																																																																																																																																																																																																																																																																																																																																																																																																																																																																																																																		
1	75	13332	DOOR PIVOT ASSEMBLY																																																																																																																																																																																																																																																																																																																																																																																																																																																																																																																																																																																																																																																																																																																																																																																																																																																																																																																																																																																																																																		
1	76	13333	DOOR PIVOT ASSEMBLY																																																																																																																																																																																																																																																																																																																																																																																																																																																																																																																																																																																																																																																																																																																																																																																																																																																																																																																																																																																																																																		
1	77	13334	DOOR PIVOT ASSEMBLY																																																																																																																																																																																																																																																																																																																																																																																																																																																																																																																																																																																																																																																																																																																																																																																																																																																																																																																																																																																																																																		
1	78	13335	DOOR PIVOT ASSEMBLY																																																																																																																																																																																																																																																																																																																																																																																																																																																																																																																																																																																																																																																																																																																																																																																																																																																																																																																																																																																																																																		
1	79	13336	DOOR PIVOT ASSEMBLY																																																																																																																																																																																																																																																																																																																																																																																																																																																																																																																																																																																																																																																																																																																																																																																																																																																																																																																																																																																																																																		
1	80	13337	DOOR PIVOT ASSEMBLY																																																																																																																																																																																																																																																																																																																																																																																																																																																																																																																																																																																																																																																																																																																																																																																																																																																																																																																																																																																																																																		
1	81	13338	DOOR PIVOT ASSEMBLY																																																																																																																																																																																																																																																																																																																																																																																																																																																																																																																																																																																																																																																																																																																																																																																																																																																																																																																																																																																																																																		
1	82	13339	DOOR PIVOT ASSEMBLY																																																																																																																																																																																																																																																																																																																																																																																																																																																																																																																																																																																																																																																																																																																																																																																																																																																																																																																																																																																																																																		
1	83	13340	DOOR PIVOT ASSEMBLY																																																																																																																																																																																																																																																																																																																																																																																																																																																																																																																																																																																																																																																																																																																																																																																																																																																																																																																																																																																																																																		
1	84	13341	DOOR PIVOT ASSEMBLY																																																																																																																																																																																																																																																																																																																																																																																																																																																																																																																																																																																																																																																																																																																																																																																																																																																																																																																																																																																																																																		
1	85	13342	DOOR PIVOT ASSEMBLY																																																																																																																																																																																																																																																																																																																																																																																																																																																																																																																																																																																																																																																																																																																																																																																																																																																																																																																																																																																																																																		
1	86	13343	DOOR PIVOT ASSEMBLY																																																																																																																																																																																																																																																																																																																																																																																																																																																																																																																																																																																																																																																																																																																																																																																																																																																																																																																																																																																																																																		
1	87	13344	DOOR PIVOT ASSEMBLY																																																																																																																																																																																																																																																																																																																																																																																																																																																																																																																																																																																																																																																																																																																																																																																																																																																																																																																																																																																																																																		
1	88	13345	DOOR PIVOT ASSEMBLY																																																																																																																																																																																																																																																																																																																																																																																																																																																																																																																																																																																																																																																																																																																																																																																																																																																																																																																																																																																																																																		
1	89	13346	DOOR PIVOT ASSEMBLY																																																																																																																																																																																																																																																																																																																																																																																																																																																																																																																																																																																																																																																																																																																																																																																																																																																																																																																																																																																																																																		
1	90	13347	DOOR PIVOT ASSEMBLY																																																																																																																																																																																																																																																																																																																																																																																																																																																																																																																																																																																																																																																																																																																																																																																																																																																																																																																																																																																																																																		
1	91	13348	DOOR PIVOT ASSEMBLY																																																																																																																																																																																																																																																																																																																																																																																																																																																																																																																																																																																																																																																																																																																																																																																																																																																																																																																																																																																																																																		
1	92	13349	DOOR PIVOT ASSEMBLY																																																																																																																																																																																																																																																																																																																																																																																																																																																																																																																																																																																																																																																																																																																																																																																																																																																																																																																																																																																																																																		
1	93	13350	DOOR PIVOT ASSEMBLY																																																																																																																																																																																																																																																																																																																																																																																																																																																																																																																																																																																																																																																																																																																																																																																																																																																																																																																																																																																																																																		
1	94	13351	DOOR PIVOT ASSEMBLY																																																																																																																																																																																																																																																																																																																																																																																																																																																																																																																																																																																																																																																																																																																																																																																																																																																																																																																																																																																																																																		
1	95	13352	DOOR PIVOT ASSEMBLY																																																																																																																																																																																																																																																																																																																																																																																																																																																																																																																																																																																																																																																																																																																																																																																																																																																																																																																																																																																																																																		
1	96	13353	DOOR PIVOT ASSEMBLY																																																																																																																																																																																																																																																																																																																																																																																																																																																																																																																																																																																																																																																																																																																																																																																																																																																																																																																																																																																																																																		
1	97	13354	DOOR PIVOT ASSEMBLY																																																																																																																																																																																																																																																																																																																																																																																																																																																																																																																																																																																																																																																																																																																																																																																																																																																																																																																																																																																																																																		
1	98	13355	DOOR PIVOT ASSEMBLY																																																																																																																																																																																																																																																																																																																																																																																																																																																																																																																																																																																																																																																																																																																																																																																																																																																																																																																																																																																																																																		
1	99	13356	DOOR PIVOT ASSEMBLY																																																																																																																																																																																																																																																																																																																																																																																																																																																																																																																																																																																																																																																																																																																																																																																																																																																																																																																																																																																																																																		
1	100	13357	DOOR PIVOT ASSEMBLY																																																																																																																																																																																																																																																																																																																																																																																																																																																																																																																																																																																																																																																																																																																																																																																																																																																																																																																																																																																																																																		
1	101	13358	DOOR PIVOT ASSEMBLY																																																																																																																																																																																																																																																																																																																																																																																																																																																																																																																																																																																																																																																																																																																																																																																																																																																																																																																																																																																																																																		
1	102	13359	DOOR PIVOT ASSEMBLY																																																																																																																																																																																																																																																																																																																																																																																																																																																																																																																																																																																																																																																																																																																																																																																																																																																																																																																																																																																																																																		
1	103	13360	DOOR PIVOT ASSEMBLY																																																																																																																																																																																																																																																																																																																																																																																																																																																																																																																																																																																																																																																																																																																																																																																																																																																																																																																																																																																																																																		
1	104	13361	DOOR PIVOT ASSEMBLY																																																																																																																																																																																																																																																																																																																																																																																																																																																																																																																																																																																																																																																																																																																																																																																																																																																																																																																																																																																																																																		
1	105	13362	DOOR PIVOT ASSEMBLY																																																																																																																																																																																																																																																																																																																																																																																																																																																																																																																																																																																																																																																																																																																																																																																																																																																																																																																																																																																																																																		
1	106	13363	DOOR PIVOT ASSEMBLY																																																																																																																																																																																																																																																																																																																																																																																																																																																																																																																																																																																																																																																																																																																																																																																																																																																																																																																																																																																																																																		
1	107	13364	DOOR PIVOT ASSEMBLY																																																																																																																																																																																																																																																																																																																																																																																																																																																																																																																																																																																																																																																																																																																																																																																																																																																																																																																																																																																																																																		
1	108	13365	DOOR PIVOT ASSEMBLY																																																																																																																																																																																																																																																																																																																																																																																																																																																																																																																																																																																																																																																																																																																																																																																																																																																																																																																																																																																																																																		
1	109	13366	DOOR PIVOT ASSEMBLY																																																																																																																																																																																																																																																																																																																																																																																																																																																																																																																																																																																																																																																																																																																																																																																																																																																																																																																																																																																																																																		
1	110	13367	DOOR PIVOT ASSEMBLY																																																																																																																																																																																																																																																																																																																																																																																																																																																																																																																																																																																																																																																																																																																																																																																																																																																																																																																																																																																																																																		
1	111	13368	DOOR PIVOT ASSEMBLY																																																																																																																																																																																																																																																																																																																																																																																																																																																																																																																																																																																																																																																																																																																																																																																																																																																																																																																																																																																																																																		
1	112	13369	DOOR PIVOT ASSEMBLY																																																																																																																																																																																																																																																																																																																																																																																																																																																																																																																																																																																																																																																																																																																																																																																																																																																																																																																																																																																																																																		
1	113	13370	DOOR PIVOT ASSEMBLY																																																																																																																																																																																																																																																																																																																																																																																																																																																																																																																																																																																																																																																																																																																																																																																																																																																																																																																																																																																																																																		
1	114	13371	DOOR PIVOT ASSEMBLY																																																																																																																																																																																																																																																																																																																																																																																																																																																																																																																																																																																																																																																																																																																																																																																																																																																																																																																																																																																																																																		
1	115	13372	DOOR PIVOT ASSEMBLY																																																																																																																																																																																																																																																																																																																																																																																																																																																																																																																																																																																																																																																																																																																																																																																																																																																																																																																																																																																																																																		
1	116	13373	DOOR PIVOT ASSEMBLY																																																																																																																																																																																																																																																																																																																																																																																																																																																																																																																																																																																																																																																																																																																																																																																																																																																																																																																																																																																																																																		
1	117	13374	DOOR PIVOT ASSEMBLY																																																																																																																																																																																																																																																																																																																																																																																																																																																																																																																																																																																																																																																																																																																																																																																																																																																																																																																																																																																																																																		
1	118	13375	DOOR PIVOT ASSEMBLY																																																																																																																																																																																																																																																																																																																																																																																																																																																																																																																																																																																																																																																																																																																																																																																																																																																																																																																																																																																																																																		
1	119	13376	DOOR PIVOT ASSEMBLY																																																																																																																																																																																																																																																																																																																																																																																																																																																																																																																																																																																																																																																																																																																																																																																																																																																																																																																																																																																																																																		
1	120	13377	DOOR PIVOT ASSEMBLY																																																																																																																																																																																																																																																																																																																																																																																																																																																																																																																																																																																																																																																																																																																																																																																																																																																																																																																																																																																																																																		
1	121	13378	DOOR PIVOT ASSEMBLY																																																																																																																																																																																																																																																																																																																																																																																																																																																																																																																																																																																																																																																																																																																																																																																																																																																																																																																																																																																																																																		
1	122	13379	DOOR PIVOT ASSEMBLY																																																																																																																																																																																																																																																																																																																																																																																																																																																																																																																																																																																																																																																																																																																																																																																																																																																																																																																																																																																																																																		
1	123	13380	DOOR PIVOT ASSEMBLY																																																																																																																																																																																																																																																																																																																																																																																																																																																																																																																																																																																																																																																																																																																																																																																																																																																																																																																																																																																																																																		
1	124	13381	DOOR PIVOT ASSEMBLY																																																																																																																																																																																																																																																																																																																																																																																																																																																																																																																																																																																																																																																																																																																																																																																																																																																																																																																																																																																																																																		
1	125	13382	DOOR PIVOT ASSEMBLY																																																																																																																																																																																																																																																																																																																																																																																																																																																																																																																																																																																																																																																																																																																																																																																																																																																																																																																																																																																																																																		
1	126	13383	DOOR PIVOT ASSEMBLY																																																																																																																																																																																																																																																																																																																																																																																																																																																																																																																																																																																																																																																																																																																																																																																																																																																																																																																																																																																																																																		
1	127	13384	DOOR PIVOT ASSEMBLY																																																																																																																																																																																																																																																																																																																																																																																																																																																																																																																																																																																																																																																																																																																																																																																																																																																																																																																																																																																																																																		
1	128	13385	DOOR PIVOT ASSEMBLY																																																																																																																																																																																																																																																																																																																																																																																																																																																																																																																																																																																																																																																																																																																																																																																																																																																																																																																																																																																																																																		
1	129	13386	DOOR PIVOT ASSEMBLY																																																																																																																																																																																																																																																																																																																																																																																																																																																																																																																																																																																																																																																																																																																																																																																																																																																																																																																																																																																																																																		
1	130	13387	DOOR PIVOT ASSEMBLY																																																																																																																																																																																																																																																																																																																																																																																																																																																																																																																																																																																																																																																																																																																																																																																																																																																																																																																																																																																																																																		
1	131	13388	DOOR PIVOT ASSEMBLY																																																																																																																																																																																																																																																																																																																																																																																																																																																																																																																																																																																																																																																																																																																																																																																																																																																																																																																																																																																																																																		
1	132	13389	DOOR PIVOT ASSEMBLY																																																																																																																																																																																																																																																																																																																																																																																																																																																																																																																																																																																																																																																																																																																																																																																																																																																																																																																																																																																																																																		
1	133	13390	DOOR PIVOT ASSEMBLY																																																																																																																																																																																																																																																																																																																																																																																																																																																																																																																																																																																																																																																																																																																																																																																																																																																																																																																																																																																																																																		
1	134	13391	DOOR PIVOT ASSEMBLY																																																																																																																																																																																																																																																																																																																																																																																																																																																																																																																																																																																																																																																																																																																																																																																																																																																																																																																																																																																																																																		
1	135	13392	DOOR PIVOT ASSEMBLY																																																																																																																																																																																																																																																																																																																																																																																																																																																																																																																																																																																																																																																																																																																																																																																																																																																																																																																																																																																																																																		
1	136	13393	DOOR PIVOT ASSEMBLY																																																																																																																																																																																																																																																																																																																																																																																																																																																																																																																																																																																																																																																																																																																																																																																																																																																																																																																																																																																																																																		
1	137	13394	DOOR PIVOT ASSEMBLY																																																																																																																																																																																																																																																																																																																																																																																																																																																																																																																																																																																																																																																																																																																																																																																																																																																																																																																																																																																																																																		
1	138	13395	DOOR PIVOT ASSEMBLY																																																																																																																																																																																																																																																																																																																																																																																																																																																																																																																																																																																																																																																																																																																																																																																																																																																																																																																																																																																																																																		
1	139	13396	DOOR PIVOT ASSEMBLY																																																																																																																																																																																																																																																																																																																																																																																																																																																																																																																																																																																																																																																																																																																																																																																																																																																																																																																																																																																																																																		
1	140	13397	DOOR PIVOT ASSEMBLY																																																																																																																																																																																																																																																																																																																																																																																																																																																																																																																																																																																																																																																																																																																																																																																																																																																																																																																																																																																																																																		
1	141	13398	DOOR PIVOT ASSEMBLY																																																																																																																																																																																																																																																																																																																																																																																																																																																																																																																																																																																																																																																																																																																																																																																																																																																																																																																																																																																																																																		
1	142	13399	DOOR PIVOT ASSEMBLY																																																																																																																																																																																																																																																																																																																																																																																																																																																																																																																																																																																																																																																																																																																																																																																																																																																																																																																																																																																																																																		
1	143	13400	DOOR PIVOT ASSEMBLY																																																																																																																																																																																																																																																																																																																																																																																																																																																																																																																																																																																																																																																																																																																																																																																																																																																																																																																																																																																																																																		
1	144	13401	DOOR PIVOT ASSEMBLY																																																																																																																																																																																																																																																																																																																																																																																																																																																																																																																																																																																																																																																																																																																																																																																																																																																																																																																																																																																																																																		
1	145	13402	DOOR PIVOT ASSEMBLY																																																																																																																																																																																																																																																																																																																																																																																																																																																																																																																																																																																																																																																																																																																																																																																																																																																																																																																																																																																																																																		
1	146	13403	DOOR PIVOT ASSEMBLY																																																																																																																																																																																																																																																																																																																																																																																																																																																																																																																																																																																																																																																																																																																																																																																																																																																																																																																																																																																																																																		
1	147	13404	DOOR PIVOT ASSEMBLY																																																																																																																																																																																																																																																																																																																																																																																																																																																																																																																																																																																																																																																																																																																																																																																																																																																																																																																																																																																																																																		
1	148	13405	DOOR PIVOT ASSEMBLY																																																																																																																																																																																																																																																																																																																																																																																																																																																																																																																																																																																																																																																																																																																																																																																																																																																																																																																																																																																																																																		
1	149	13406	DOOR PIVOT ASSEMBLY																																																																																																																																																																																																																																																																																																																																																																																																																																																																																																																																																																																																																																																																																																																																																																																																																																																																																																																																																																																																																																		
1	150	13407	DOOR PIVOT ASSEMBLY																																																																																																																																																																																																																																																																																																																																																																																																																																																																																																																																																																																																																																																																																																																																																																																																																																																																																																																																																																																																																																		
1	151	13408	DOOR PIVOT ASSEMBLY																																																																																																																																																																																																																																																																																																																																																																																																																																																																																																																																																																																																																																																																																																																																																																																																																																																																																																																																																																																																																																		
1	152	13409	DOOR PIVOT ASSEMBLY																																																																																																																																																																																																																																																																																																																																																																																																																																																																																																																																																																																																																																																																																																																																																																																																																																																																																																																																																																																																																																		
1	153	13410	DOOR PIVOT ASSEMBLY																																																																																																																																																																																																																																																																																																																																																																																																																																																																																																																																																																																																																																																																																																																																																																																																																																																																																																																																																																																																																																		
1	154	13411	DOOR PIVOT ASSEMBLY																																																																																																																																																																																																																																																																																																																																																																																																																																																																																																																																																																																																																																																																																																																																																																																																																																																																																																																																																																																																																																		
1	155	13412	DOOR PIVOT ASSEMBLY																																																																																																																																																																																																																																																																																																																																																																																																																																																																																																																																																																																																																																																																																																																																																																																																																																																																																																																																																																																																																																		
1	156	13413	DOOR PIVOT ASSEMBLY																																																																																																																																																																																																																																																																																																																																																																																																																																																																																																																																																																																																																																																																																																																																																																																																																																																																																																																																																																																																																																		
1	157	13414	DOOR PIVOT ASSEMBLY																																																																																																																																																																																																																																																																																																																																																																																																																																																																																																																																																																																																																																																																																																																																																																																																																																																																																																																																																																																																																																		
1	158	13415	DOOR PIVOT ASSEMBLY																																																																																																																																																																																																																																																																																																																																																																																																																																																																																																																																																																																																																																																																																																																																																																																																																																																																																																																																																																																																																																		
1	159	13416	DOOR PIVOT ASSEMBLY																																																																																																																																																																																																																																																																																																																																																																																																																																																																																																																																																																																																																																																																																																																																																																																																																																																																																																																																																																																																																																		
1	160	13417	DOOR PIVOT ASSEMBLY																																																																																																																																																																																																																																																																																																																																																																																																																																																																																																																																																																																																																																																																																																																																																																																																																																																																																																																																																																																																																																		
1	161	13418	DOOR PIVOT ASSEMBLY																																																																																																																																																																																																																																																																																																																																																																																																																																																																																																																																																																																																																																																																																																																																																																																																																																																																																																																																																																																																																																		
1	162	13419	DOOR PIVOT ASSEMBLY																																																																																																																																																																																																																																																																																																																																																																																																																																																																																																																																																																																																																																																																																																																																																																																																																																																																																																																																																																																																																																		
1	163	13420	DOOR PIVOT ASSEMBLY																																																																																																																																																																																																																																																																																																																																																																																																																																																																																																																																																																																																																																																																																																																																																																																																																																																																																																																																																																																																																																		
1	164	13421	DOOR PIVOT ASSEMBLY																																																																																																																																																																																																																																																																																																																																																																																																																																																																																																																																																																																																																																																																																																																																																																																																																																																																																																																																																																																																																																		
1	165	13422	DOOR PIVOT ASSEMBLY																																																																																																																																																																																																																																																																																																																																																																																																																																																																																																																																																																																																																																																																																																																																																																																																																																																																																																																																																																																																																																		
1	166	13423	DOOR PIVOT ASSEMBLY																																																																																																																																																																																																																																																																																																																																																																																																																																																																																																																																																																																																																																																																																																																																																																																																																																																																																																																																																																																																																																		
1	167	13424	DOOR PIVOT ASSEMBLY																																																																																																																																																																																																																																																																																																																																																																																																																																																																																																																																																																																																																																																																																																																																																																																																																																																																																																																																																																																																																																		
1	168	13425	DOOR PIVOT ASSEMBLY																																																																																																																																																																																																																																																																																																																																																																																																																																																																																																																																																																																																																																																																																																																																																																																																																																																																																																																																																																																																																																		
1	169	13426	DOOR PIVOT ASSEMBLY																																																																																																																																																																																																																																																																																																																																																																																																																																																																																																																																																																																																																																																																																																																																																																																																																																																																																																																																																																																																																																		
1	170	13427	DOOR PIVOT ASSEMBLY																																																																																																																																																																																																																																																																																																																																																																																																																																																																																																																																																																																																																																																																																																																																																																																																																																																																																																																																																																																																																																		
1	171	13428	DOOR PIVOT ASSEMBLY																																																																																																																																																																																																																																																																																																																																																																																																																																																																																																																																																																																																																																																																																																																																																																																																																																																																																																																																																																																																																																		
1	172	13429	DOOR PIVOT ASSEMBLY																																																																																																																																																																																																																																																																																																																																																																																																																																																																																																																																																																																																																																																																																																																																																																																																																																																																																																																																																																																																																																		
1	173	13430	DOOR PIVOT ASSEMBLY																																																																																																																																																																																																																																																																																																																																																																																																																																																																																																																																																																																																																																																																																																																																																																																																																																																																																																																																																																																																																																		
1	174	13431	DOOR PIVOT ASSEMBLY																																																																																																																																																																																																																																																																																																																																																																																																																																																																																																																																																																																																																																																																																																																																																																																																																																																																																																																																																																																																																																		
1	175	13432	DOOR PIVOT ASSEMBLY																																																																																																																																																																																																																																																																																																																																																																																																																																																																																																																																																																																																																																																																																																																																																																																																																																																																																																																																																																																																																																		
1	176	13433	DOOR PIVOT ASSEMBLY																																																																																																																																																																																																																																																																																																																																																																																																																																																																																																																																																																																																																																																																																																																																																																																																																																																																																																																																																																																																																																		
1	177	13434	DOOR PIVOT ASSEMBLY																																																																																																																																																																																																																																																																																																																																																																																																																																																																																																																																																																																																																																																																																																																																																																																																																																																																																																																																																																																																																																		
1	178	13435	DOOR PIVOT ASSEMBLY																																																																																																																																																																																																																																																																																																																																																																																																																																																																																																																																																																																																																																																																																																																																																																																																																																																																																																																																																																																																																																		
1	179	13436	DOOR PIVOT ASSEMBLY																																																																																																																																																																																																																																																																																																																																																																																																																																																																																																																																																																																																																																																																																																																																																																																																																																																																																																																																																																																																																																		
1	180	13437	DOOR PIVOT ASSEMBLY																																																																																																																																																																																																																																																																																																																																																																																																																																																																																																																																																																																																																																																																																																																																																																																																																																																																																																																																																																																																																																		
1	181	13438	DOOR PIVOT ASSEMBLY																																																																																																																																																																																																																																																																																																																																																																																																																																																																																																																																																																																																																																																																																																																																																																																																																																																																																																																																																																																																																																		
1	182	13439	DOOR PIVOT ASSEMBLY																																																																																																																																																																																																																																																																																																																																																																																																																																																																																																																																																																																																																																																																																																																																																																																																																																																																																																																																																																																																																																		
1	183	13440	DOOR PIVOT ASSEMBLY																																																																																																																																																																																																																																																																																																																																																																																																																																																																																																																																																																																																																																																																																																																																																																																																																																																																																																																																																																																																																																		
1	184	13441	DOOR PIVOT ASSEMBLY																																																																																																																																																																																																																																																																																																																																																																																																																																																																																																																																																																																																																																																																																																																																																																																																																																																																																																																																																																																																																																		
1	185	13442	DOOR PIVOT ASSEMBLY																																																																																																																																																																																																																																																																																																																																																																																																																																																																																																																																																																																																																																																																																																																																																																																																																																																																																																																																																																																																																																		
1	186	13443	DOOR PIVOT ASSEMBLY																																																																																																																																																																																																																																																																																																																																																																																																																																																																																																																																																																																																																																																																																																																																																																																																																																																																																																																																																																																																																																		
1	187	13444	DOOR PIVOT ASSEMBLY																																																																																																																																																																																																																																																																																																																																																																																																																																																																																																																																																																																																																																																																																																																																																																																																																																																																																																																																																																																																																																		
1	188	13445	DOOR PIVOT ASSEMBLY																																																																																																																																																																																																																																																																																																																																																																																																																																																																																																																																																																																																																																																																																																																																																																																																																																																																																																																																																																																																																																		
1	189	13446	DOOR PIVOT ASSEMBLY																																																																																																																																																																																																																																																																																																																																																																																																																																																																																																																																																																																																																																																																																																																																																																																																																																																																																																																																																																																																																																		
1	190	13447	DOOR PIVOT ASSEMBLY																																																																																																																																																																																																																																																																																																																																																																																																																																																																																																																																																																																																																																																																																																																																																																																																																																																																																																																																																																																																																																		
1	191	13448	DOOR PIVOT ASSEMBLY																																																																																																																																																																																																																																																																																																																																																																																																																																																																																																																																																																																																																																																																																																																																																																																																																																																																																																																																																																																																																																		
1	192	13449	DOOR PIVOT ASSEMBLY																																																																																																																																																																																																																																																																																																																																																																																																																																																																																																																																																																																																																																																																																																																																																																																																																																																																																																																																																																																																																																		
1	193	13450	DOOR PIVOT ASSEMBLY																																																																																																																																																																																																																																																																																																																																																																																																																																																																																																																																																																																																																																																																																																																																																																																																																																																																																																																																																																																																																																		
1	194	13451	DOOR PIVOT ASSEMBLY																																																																																																																																																																																																																																																																																																																																																																																																																																																																																																																																																																																																																																																																																																																																																																																																																																																																																																																																																																																																																																		
1	195	13452	DOOR PIVOT ASSEMBLY																																																																																																																																																																																																																																																																																																																																																																																																																																																																																																																																																																																																																																																																																																																																																																																																																																																																																																																																																																																																																																		
1	196	13453	DOOR PIVOT ASSEMBLY																																																																																																																																																																																																																																																																																																																																																																																																																																																																																																																																																																																																																																																																																																																																																																																																																																																																																																																																																																																																																																		
1	197	13454	DOOR PIVOT ASSEMBLY																																																																																																																																																																																																																																																																																																																																																																																																																																																																																																																																																																																																																																																																																																																																																																																																																																																																																																																																																																																																																																		
1	198	13455	DOOR PIVOT ASSEMBLY																																																																																																																																																																																																																																																																																																																																																																																																																																																																																																																																																																																																																																																																																																																																																																																																																																																																																																																																																																																																																																		
1	199	13456	DOOR PIVOT ASSEMBLY																																																																																																																																																																																																																																																																																																																																																																																																																																																																																																																																																																																																																																																																																																																																																																																																																																																																																																																																																																																																																																		
1	200	13457	DOOR PIVOT ASSEMBLY																																																																																																																																																																																																																																																																																																																																																																																																																																																																																																																																																																																																																																																																																																																																																																																																																																																																																																																																																																																																																																		
1	201	13458	DOOR PIVOT ASSEMBLY																																																																																																																																																																																																																																																																																																																																																																																																																																																																																																																																																																																																																																																																																																																																																																																																																																																																																																																																																																																																																																		
1	202	13459	DOOR PIVOT ASSEMBLY																																																																																																																																																																																																																																																																																																																																																																																																																																																																																																																																																																																																																																																																																																																																																																																																																																																																																																																																																																																																																																		
1	203	13460	DOOR PIVOT ASSEMBLY																																																																																																																																																																																																																																																																																																																																																																																																																																																																																																																																																																																																																																																																																																																																																																																																																																																																																																																																																																																																																																		
1	204	13461	DOOR PIVOT ASSEMBLY																																																																																																																																																																																																																																																																																																																																																																																																																																																																																																																																																																																																																																																																																																																																																																																																																																																																																																																																																																																																																																		
1	205	13462	DOOR PIVOT ASSEMBLY																																																																																																																																																																																																																																																																																																																																																																																																																																																																																																																																																																																																																																																																																																																																																																																																																																																																																																																																																																																																																																		
1	206	13463	DOOR PIVOT ASSEMBLY																																																																																																																																																																																																																																																																																																																																																																																																																																																																																																																																																																																																																																																																																																																																																																																																																																																																																																																																																																																																																																		
1	207	13464	DOOR PIVOT ASSEMBLY																																																																																																																																																																																																																																																																																																																																																																																																																																																																																																																																																																																																																																																																																																																																																																																																																																																																																																																																																																																																																																		
1	208	13465	DOOR PIVOT ASSEMBLY																																																																																																																																																																																																																																																																																																																																																																																																																																																																																																																																																																																																																																																																																																																																																																																																																																																																																																																																																																																																																																		
1	209	13466	DOOR PIVOT ASSEMBLY																																																																																																																																																																																																																																																																																																																																																																																																																																																																																																																																																																																																																																																																																																																																																																																																																																																																																																																																																																																																																																		
1	210	13467	DOOR PIVOT ASSEMBLY																																																																																																																																																																																																																																																																																																																																																																																																																																																																																																																																																																																																																																																																																																																																																																																																																																																																																																																																																																																																																																		
1	211	13468	DOOR PIVOT ASSEMBLY																																																																																																																																																																																																																																																																																																																																																																																																																																																																																																																																																																																																																																																																																																																																																																																																																																																																																																																																																																																																																																		
1	212	13469	DOOR PIVOT ASSEMBLY																																																																																																																																																																																																																																																																																																																																																																																																																																																																																																																																																																																																																																																																																																																																																																																																																																																																																																																																																																																																																																		
1	213	13470	DOOR PIVOT ASSEMBLY																																																																																																																																																																																																																																																																																																																																																																																																																																																																																																																																																																																																																																																																																																																																																																																																																																																																																																																																																																																																																																		
1	214	13471	DOOR PIVOT ASSEMBLY																																																																																																																																																																																																																																																																																																																																																																																																																																																																																																																																																																																																																																																																																																																																																																																																																																																																																																																																																																																																																																		
1	215	13472	DOOR PIVOT ASSEMBLY																																																																																																																																																																																																																																																																																																																																																																																																																																																																																																																																																																																																																																																																																																																																																																																																																																																																																																																																																																																																																																		
1	216	13473	DOOR PIVOT ASSEMBLY																																																																																																																																																																																																																																																																																																																																																																																																																																																																																																																																																																																																																																																																																																																																																																																																																																																																																																																																																																																																																																		
1	217	13474	DOOR PIVOT ASSEMBLY																																																																																																																																																																																																																																																																																																																																																																																																																																																																																																																																																																																																																																																																																																																																																																																																																																																																																																																																																																																																																																		
1	218	13475	DOOR PIVOT ASSEMBLY																																																																																																																																																																																																																																																																																																																																																																																																																																																																																																																																																																																																																																																																																																																																																																																																																																																																																																																																																																																																																																		
1	219	13476	DOOR PIVOT ASSEMBLY																																																																																																																																																																																																																																																																																																																																																																																																																																																																																																																																																																																																																																																																																																																																																																																																																																																																																																																																																																																																																																		
1	220	13477	DOOR PIVOT ASSEMBLY																																																																																																																																																																																																																																																																																																																																																																																																																																																																																																																																																																																																																																																																																																																																																																																																																																																																																																																																																																																																																																		
1	221	13478	DOOR PIVOT ASSEMBLY																																																																																																																																																																																																																																																																																																																																																																																																																																																																																																																																																																																																																																																																																																																																																																																																																																																																																																																																																																																																																																		
1	222	13479	DOOR PIVOT ASSEMBLY																																																																																																																																																																																																																																																																																																																																																																																																																																																																																																																																																																																																																																																																																																																																																																																																																																																																																																																																																																																																																																		
1	223	13480	DOOR PIVOT ASSEMBLY																																																																																																																																																																																																																																																																																																																																																																																																																																																																																																																																																																																																																																																																																																																																																																																																																																																																																																																																																																																																																																		
1	224	13481	DOOR PIVOT ASSEMBLY																																																																																																																																																																																																																																																																																																																																																																																																																																																																																																																																																																																																																																																																																																																																																																																																																																																																																																																																																																																																																																		
1	225	13482	DOOR PIVOT ASSEMBLY																																																																																																																																																																																																																																																																																																																																																																																																																																																																																																																																																																																																																																																																																																																																																																																																																																																																																																																																																																																																																																		
1	226	13483	DOOR PIVOT ASSEMBLY																																																																																																																																																																																																																																																																																																																																																																																																																																																																																																																																																																																																																																																																																																																																																																																																																																																																																																																																																																																																																																		
1	227	13484	DOOR PIVOT ASSEMBLY																																																																																																																																																																																																																																																																																																																																																																																																																																																																																																																																																																																																																																																																																																																																																																																																																																																																																																																																																																																																																																		
1	228	13485	DOOR PIVOT ASSEMBLY																																																																																																																																																																																																																																																																																																																																																																																																																																																																																																																																																																																																																																																																																																																																																																																																																																																																																																																																																																																																																																		
1	229	13486	DOOR PIVOT ASSEMBLY																																																																																																																																																																																																																																																																																																																																																																																																																																																																																																																																																																																																																																																																																																																																																																																																																																																																																																																																																																																																																																		
1	230	13487	DOOR PIVOT ASSEMBLY																																																																																																																																																																																																																																																																																																																																																																																																																																																																																																																																																																																																																																																																																																																																																																																																																																																																																																																																																																																																																																		
1	231	13488	DOOR PIVOT ASSEMBLY																																																																																																																																																																																																																																																																																																																																																																																																																																																																																																																																																																																																																																																																																																																																																																																																																																																																																																																																																																																																																																		
1	232	13489	DOOR PIVOT ASSEMBLY																																																																																																																																																																																																																																																																																																																																																																																																																																																																																																																																																																																																																																																																																																																																																																																																																																																																																																																																																																																																																																		
1	233	13490	DOOR PIVOT ASSEMBLY																																																																																																																																																																																																																																																																																																																																																																																																																																																																																																																																																																																																																																																																																																																																																																																																																																																																																																																																																																																																																																		
1	234	13491	DOOR PIVOT ASSEMBLY																																																																																																																																																																																																																																																																																																																																																																																																																																																																																																																																																																																																																																																																																																																																																																																																																																																																																																																																																																																																																																		
1	235	13492	DOOR PIVOT ASSEMBLY																																																																																																																																																																																																																																																																																																																																																																																																																																																																																																																																																																																																																																																																																																																																																																																																																																																																																																																																																																																																																																		
1	236	13493	DOOR PIVOT ASSEMBLY																																																																																																																																																																																																																																																																																																																																																																																																																																																																																																																																																																																																																																																																																																																																																																																																																																																																																																																																																																																																																																		
1	237	13494	DOOR PIVOT ASSEMBLY																																																																																																																																																																																																																																																																																																																																																																																																																																																																																																																																																																																																																																																																																																																																																																																																																																																																																																																																																																																																																																		
1	238	13495	DOOR PIVOT ASSEMBLY																																																																																																																																																																																																																																																																																																																																																																																																																																																																																																																																																																																																																																																																																																																																																																																																																																																																																																																																																																																																																																		
1	239	13496	DOOR PIVOT ASSEMBLY																																																																																																																																																																																																																																																																																																																																																																																																																																																																																																																																																																																																																																																																																																																																																																																																																																																																																																																																																																																																																																		
1	240	13497	DOOR PIVOT ASSEMBLY																																																																																																																																																																																																																																																																																																																																																																																																																																																																																																																																																																																																																																																																																																																																																																																																																																																																																																																																																																																																																																		
1	241	13498	DOOR PIVOT ASSEMBLY																																																																																																																																																																																																																																																																																																																																																																																																																																																																																																																																																																																																																																																																																																																																																																																																																																																																																																																																																																																																																																		
1	242	13499	DOOR PIVOT ASSEMBLY																																																																																																																																																																																																																																																																																																																																																																																																																																																																																																																																																																																																																																																																																																																																																																																																																																																																																																																																																																																																																																		
1	243	13500	DOOR PIVOT ASSEMBLY																																																																																																																																																																																																																																																																																																																																																																																																																																																																																																																																																																																																																																																																																																																																																																																																																																																																																																																																																																																																																																		
1	244	13501	DOOR PIVOT ASSEMBLY																																																																																																																																																																																																																																																																																																																																																																																																																																																																																																																																																																																																																																																																																																																																																																																																																																																																																																																																																																																																																																		
1	245	13502	DOOR PIVOT ASSEMBLY																																																																																																																																																																																																																																																																																																																																																																																																																																																																																																																																																																																																																																																																																																																																																																																																																																																																																																																																																																																																																																		
1	246	13																																																																																																																																																																																																																																																																																																																																																																																																																																																																																																																																																																																																																																																																																																																																																																																																																																																																																																																																																																																																																																			

8	7	6	5	4	3	2	1																																																			
<p>NOTES: (UNLESS OTHERWISE SPECIFIED)</p> <ol style="list-style-type: none"> 1. DIMENSIONS ARE IN MILLIMETERS (IN PARENTHESES). 2. DIMENSIONS ARE IN INCHES (IN PARENTHESES). 3. DIMENSIONS ARE IN MILLIMETERS (IN PARENTHESES). 4. DIMENSIONS ARE IN INCHES (IN PARENTHESES). 5. DIMENSIONS ARE IN MILLIMETERS (IN PARENTHESES). 6. DIMENSIONS ARE IN INCHES (IN PARENTHESES). 7. DIMENSIONS ARE IN MILLIMETERS (IN PARENTHESES). 8. DIMENSIONS ARE IN INCHES (IN PARENTHESES). 																																																										
<p>GENERAL</p> <p>READ THE INSTRUCTIONS THROUGHOUT BEFORE ASSEMBLY. FOLLOW THE SEQUENCES FOR PROPER ASSEMBLY AND OPERATION.</p> <p>THIS WARNING INDICATES THAT FAILURE TO FOLLOW THE PROPER PROCEDURE AT THIS POINT COULD RESULT IN DAMAGE TO THE EQUIPMENT AND/OR OTHER PROPERTY AND POSSIBLE INJURY TO THE OPERATOR.</p> <p style="text-align: center;">CAUTION</p> <p style="text-align: center;">THIS INDICATES INFORMATION THAT SHOULD BE READ BEFORE PROCEEDING.</p> <p>UNPACKING</p> <p>CAREFULLY REMOVE ALL PARTS FROM SHIPPING BOXES. THE CONTENTS SHOULD CORRESPOND WITH THE PARTS LIST. ANY DAMAGE OR DEFORMATION OF THE PARTS SHOULD BE REPORTED TO THE MANUFACTURER IMMEDIATELY.</p> <p style="text-align: center;">NOTICE</p> <p>THE INSTALLATION, MAINTENANCE OR REMOVAL OF AN ANTENNA SYSTEM SHOULD BE DONE BY QUALIFIED PERSONNEL. TO PREVENT PERSONAL INJURY, MAINTENANCE AND CONDITION OF EQUIPMENT, AND/OR DAMAGE TO THE EQUIPMENT, READ AND FOLLOW THE INSTRUCTIONS CAREFULLY. ALWAYS USE THE CORRECT TOOLS AND PROCEDURES FOR INSTALLATION OR MAINTENANCE PRACTICES.</p>																																																										
<p>TOOLS RECOMMENDED FOR PROPER INSTALLATION</p> <table border="1" style="width:100%; border-collapse: collapse;"> <thead> <tr> <th>QUANTITY</th> <th>DESCRIPTION</th> </tr> </thead> <tbody> <tr> <td>4</td> <td>3/16 HEX SOCKET (ALLEN) WRENCH</td> </tr> <tr> <td>4</td> <td>1/4 HEX SOCKET (ALLEN) WRENCH</td> </tr> <tr> <td>2</td> <td>3/16 SOCKET</td> </tr> <tr> <td>2</td> <td>1/4 SOCKET</td> </tr> <tr> <td>2</td> <td>15/16 SOCKET</td> </tr> <tr> <td>2</td> <td>1/8 SOCKET</td> </tr> <tr> <td>2</td> <td>1/2 DRIVE RATCHET</td> </tr> <tr> <td>2</td> <td>1/2 DRIVE EXTENSION</td> </tr> <tr> <td>1</td> <td>8" ADJUSTABLE WRENCH</td> </tr> <tr> <td>2</td> <td>12 FT STEP LADDER</td> </tr> </tbody> </table>								QUANTITY	DESCRIPTION	4	3/16 HEX SOCKET (ALLEN) WRENCH	4	1/4 HEX SOCKET (ALLEN) WRENCH	2	3/16 SOCKET	2	1/4 SOCKET	2	15/16 SOCKET	2	1/8 SOCKET	2	1/2 DRIVE RATCHET	2	1/2 DRIVE EXTENSION	1	8" ADJUSTABLE WRENCH	2	12 FT STEP LADDER																													
QUANTITY	DESCRIPTION																																																									
4	3/16 HEX SOCKET (ALLEN) WRENCH																																																									
4	1/4 HEX SOCKET (ALLEN) WRENCH																																																									
2	3/16 SOCKET																																																									
2	1/4 SOCKET																																																									
2	15/16 SOCKET																																																									
2	1/8 SOCKET																																																									
2	1/2 DRIVE RATCHET																																																									
2	1/2 DRIVE EXTENSION																																																									
1	8" ADJUSTABLE WRENCH																																																									
2	12 FT STEP LADDER																																																									
<p>7.6M FINAL ALIGNMENT DATA</p> <p>SITE: _____</p> <p>INSTALLER: _____</p> <p>DATE: _____</p> <table border="1" style="width:100%; border-collapse: collapse;"> <thead> <tr> <th>RIB</th> <th>OUTBOARD (2E1) TARGET ANGLE</th> <th>INBOARD (2E2) TARGET ANGLE</th> </tr> </thead> <tbody> <tr><td>RIB 1</td><td></td><td></td></tr> <tr><td>RIB 2</td><td></td><td></td></tr> <tr><td>RIB 3</td><td></td><td></td></tr> <tr><td>RIB 4</td><td></td><td></td></tr> <tr><td>RIB 5</td><td></td><td></td></tr> <tr><td>RIB 6</td><td></td><td></td></tr> <tr><td>RIB 7</td><td></td><td></td></tr> <tr><td>RIB 8</td><td></td><td></td></tr> <tr><td>RIB 9</td><td></td><td></td></tr> <tr><td>RIB 10</td><td></td><td></td></tr> <tr><td>RIB 11</td><td></td><td></td></tr> <tr><td>RIB 12</td><td></td><td></td></tr> <tr><td>RIB 13</td><td></td><td></td></tr> <tr><td>RIB 14</td><td></td><td></td></tr> <tr><td>RIB 15</td><td></td><td></td></tr> <tr><td>RIB 16</td><td></td><td></td></tr> </tbody> </table>								RIB	OUTBOARD (2E1) TARGET ANGLE	INBOARD (2E2) TARGET ANGLE	RIB 1			RIB 2			RIB 3			RIB 4			RIB 5			RIB 6			RIB 7			RIB 8			RIB 9			RIB 10			RIB 11			RIB 12			RIB 13			RIB 14			RIB 15			RIB 16		
RIB	OUTBOARD (2E1) TARGET ANGLE	INBOARD (2E2) TARGET ANGLE																																																								
RIB 1																																																										
RIB 2																																																										
RIB 3																																																										
RIB 4																																																										
RIB 5																																																										
RIB 6																																																										
RIB 7																																																										
RIB 8																																																										
RIB 9																																																										
RIB 10																																																										
RIB 11																																																										
RIB 12																																																										
RIB 13																																																										
RIB 14																																																										
RIB 15																																																										
RIB 16																																																										
<p>THEODOLITE CALIBRATION SPECIFICATIONS</p> <table border="1" style="width:100%; border-collapse: collapse;"> <thead> <tr> <th>LEVELING</th> <th>READING WITHIN 15" ($<0.0042^\circ$) OF EACH OTHER.</th> </tr> </thead> <tbody> <tr> <td>ALL 3 STICK POSITION READINGS</td> <td></td> </tr> <tr> <th>CENTERING</th> <th>READING WITHIN 15" ($<0.0042^\circ$) OF EACH OTHER.</th> </tr> <tr> <td>ALL 4 CENTER READINGS</td> <td></td> </tr> <tr> <th>HEIGHT</th> <th>READING WITHIN 15" ($<0.0042^\circ$) OF 90°/0°/0°.</th> </tr> <tr> <td>ALL 3 LEVEL POSITION READINGS</td> <td></td> </tr> </tbody> </table>								LEVELING	READING WITHIN 15" ($<0.0042^\circ$) OF EACH OTHER.	ALL 3 STICK POSITION READINGS		CENTERING	READING WITHIN 15" ($<0.0042^\circ$) OF EACH OTHER.	ALL 4 CENTER READINGS		HEIGHT	READING WITHIN 15" ($<0.0042^\circ$) OF 90°/0°/0°.	ALL 3 LEVEL POSITION READINGS																																								
LEVELING	READING WITHIN 15" ($<0.0042^\circ$) OF EACH OTHER.																																																									
ALL 3 STICK POSITION READINGS																																																										
CENTERING	READING WITHIN 15" ($<0.0042^\circ$) OF EACH OTHER.																																																									
ALL 4 CENTER READINGS																																																										
HEIGHT	READING WITHIN 15" ($<0.0042^\circ$) OF 90°/0°/0°.																																																									
ALL 3 LEVEL POSITION READINGS																																																										
<p>REFLECTOR ALIGNMENT ANGLE SPECIFICATIONS</p> <table border="1" style="width:100%; border-collapse: collapse;"> <thead> <tr> <th>FOR TOP/GCN THEODOLITE</th> <th>FOR WILD THEODOLITE</th> </tr> </thead> <tbody> <tr> <td>EL 1</td> <td>88° 55' 23"</td> </tr> <tr> <td>EL 2</td> <td>101° 23' 28"</td> </tr> <tr> <td></td> <td>89° 12' 58"</td> </tr> <tr> <td></td> <td>101° 47' 17"</td> </tr> </tbody> </table>								FOR TOP/GCN THEODOLITE	FOR WILD THEODOLITE	EL 1	88° 55' 23"	EL 2	101° 23' 28"		89° 12' 58"		101° 47' 17"																																									
FOR TOP/GCN THEODOLITE	FOR WILD THEODOLITE																																																									
EL 1	88° 55' 23"																																																									
EL 2	101° 23' 28"																																																									
	89° 12' 58"																																																									
	101° 47' 17"																																																									
<p>NOTICE</p> <p>TEMPERATURE CHANGE DURING CALIBRATION OR ALIGNMENT OF THIS REFLECTOR WILL ADVERSELY AFFECT THE ALIGNMENT QUALITY, AND THEREFORE, THE PERFORMANCE OF THIS ANTENNA. CALIBRATION AND ALIGNMENT SHOULD ONLY BE ATTEMPTED UNDER IDEAL CONDITIONS, TYPICALLY AFTER SUNSET OR UNDER HEAVY CLOUD COVER.</p> <p>BEFORE THEODOLITE INSTALLATION/CALIBRATION, OR REFLECTOR ALIGNMENT, ALL PANEL SEAM HARDWARE SHOULD BE LOOSE, INCLUDING THE TORQUE TUBE SUPPORT STRUT. TO PREVENT DAMAGE TO THE TORQUE TUBE SUPPORT HARDWARE AND BRACKETS, WHICH SHOULD BE TIGHT, THE SUBREFLECTOR STRUTS SHOULD NOT BE TIGHT. ATTACHED TO THE REFLECTOR AT THIS TIME.</p>																																																										
<p>THEODOLITE CALIBRATION SPECIFICATIONS</p> <p>ALL 3 STICK POSITION READINGS WITHIN 15" ($<0.0042^\circ$) OF EACH OTHER.</p> <p>ALL 4 CENTER READINGS WITHIN 15" ($<0.0042^\circ$) OF EACH OTHER.</p> <p>ALL 3 LEVEL POSITION READINGS WITHIN 15" ($<0.0042^\circ$) OF 90°/0°/0°.</p>																																																										
<p>REFLECTOR ALIGNMENT ANGLE SPECIFICATIONS</p> <p>FOR TOP/GCN THEODOLITE</p> <p>FOR WILD THEODOLITE</p> <p>EL 1 88° 55' 23"</p> <p>EL 2 101° 23' 28"</p> <p>89° 12' 58"</p> <p>101° 47' 17"</p>																																																										
<p>UNLESS OTHERWISE SPECIFIED</p> <p>DIMENSIONS ARE IN INCHES</p> <p>ISOLERANGES</p> <p>1. 1/8" (3.18mm)</p> <p>2. 1/16" (1.59mm)</p> <p>3. 1/32" (0.79mm)</p> <p>4. 1/64" (0.39mm)</p> <p>5. 1/128" (0.19mm)</p> <p>6. 1/256" (0.095mm)</p> <p>7. 1/512" (0.0475mm)</p> <p>8. 1/1024" (0.0236mm)</p> <p>9. 1/2048" (0.0118mm)</p> <p>10. 1/4096" (0.0059mm)</p> <p>11. 1/8192" (0.0029mm)</p> <p>12. 1/16384" (0.0014mm)</p> <p>13. 1/32768" (0.0007mm)</p> <p>14. 1/65536" (0.00035mm)</p> <p>15. 1/131072" (0.000175mm)</p> <p>16. 1/262144" (0.0000875mm)</p> <p>17. 1/524288" (0.00004375mm)</p> <p>18. 1/1048576" (0.000021875mm)</p> <p>19. 1/2097152" (0.0000109375mm)</p> <p>20. 1/4194304" (0.00000546875mm)</p> <p>21. 1/8388608" (0.000002734375mm)</p> <p>22. 1/16777216" (0.0000013671875mm)</p> <p>23. 1/33554432" (0.00000068359375mm)</p> <p>24. 1/67108864" (0.000000341796875mm)</p> <p>25. 1/134217728" (0.0000001708984375mm)</p> <p>26. 1/268435456" (0.00000008544921875mm)</p> <p>27. 1/536870912" (0.000000042724609375mm)</p> <p>28. 1/1073741824" (0.0000000213623046875mm)</p> <p>29. 1/2147483648" (0.00000001068115234375mm)</p> <p>30. 1/4294967296" (0.000000005340576196875mm)</p> <p>31. 1/8589934592" (0.0000000026702880984375mm)</p> <p>32. 1/17179869184" (0.00000000133514404921875mm)</p> <p>33. 1/34359738368" (0.000000000667572024609375mm)</p> <p>34. 1/68719476736" (0.0000000003337860123046875mm)</p> <p>35. 1/137438953472" (0.00000000016689300615234375mm)</p> <p>36. 1/274877906944" (0.000000000083446503076196875mm)</p> <p>37. 1/549755813888" (0.00000000004172325153809375mm)</p> <p>38. 1/1099511627776" (0.000000000020861625769046875mm)</p> <p>39. 1/2199023255552" (0.0000000000104308128845234375mm)</p> <p>40. 1/4398046511104" (0.00000000000521540644226196875mm)</p> <p>41. 1/8796093022208" (0.000000000002607703221130984375mm)</p> <p>42. 1/17592186044416" (0.0000000000013038516105654921875mm)</p> <p>43. 1/35184372088832" (0.00000000000065192580528274609375mm)</p> <p>44. 1/70368744177664" (0.000000000000325962902641373046875mm)</p> <p>45. 1/140737488355328" (0.0000000000001629814513206869234375mm)</p> <p>46. 1/281474976710656" (0.00000000000008149072566034309375mm)</p> <p>47. 1/562949953421312" (0.000000000000040745362830171546875mm)</p> <p>48. 1/1125899906842624" (0.0000000000000203726814150857734375mm)</p> <p>49. 1/2251799813685248" (0.00000000000001018634070754288696875mm)</p> <p>50. 1/4503599627370496" (0.000000000000005093170353771443484375mm)</p> <p>51. 1/9007199254740992" (0.0000000000000025465851768857217171875mm)</p> <p>52. 1/18014398509481984" (0.000000000000001273292588442860859375mm)</p> <p>53. 1/36028797018963968" (0.0000000000000006366462942214304296875mm)</p> <p>54. 1/72057594037927936" (0.00000000000000031832314711071521484375mm)</p> <p>55. 1/14411518807585584" (0.00000000000000015916157355535760721875mm)</p> <p>56. 1/28823037615171168" (0.000000000000000079580786777678803609375mm)</p> <p>57. 1/57646075230342336" (0.0000000000000000397903933888394018046875mm)</p> <p>58. 1/115292150460684672" (0.00000000000000001989519669441970090234375mm)</p> <p>59. 1/230584300921369344" (0.000000000000000009947598347209850451171875mm)</p> <p>60. 1/461168601842738688" (0.000000000000000004973799173604925225589375mm)</p> <p>61. 1/922337203685477376" (0.0000000000000000024868995868024626127946875mm)</p> <p>62. 1/1844674467370954752" (0.00000000000000000124344979340123130638984375mm)</p> <p>63. 1/3689348934741909504" (0.000000000000000000621724896700615653194921875mm)</p> <p>64. 1/7378697869483819008" (0.0000000000000000003108624483503078265974609375mm)</p> <p>65. 1/14757395739767638016" (0.0000000000000000001554312241751539132788696875mm)</p> <p>66. 1/29514791479535276032" (0.00000000000000000007771561208757695663943484375mm)</p> <p>67. 1/59029582959070552064" (0.0000000000000000000388578060437884783197171875mm)</p> <p>68. 1/118059165918141104128" (0.000000000000000000019428903021894239159589375mm)</p> <p>69. 1/236118331836282208256" (0.0000000000000000000097144515109471707797946875mm)</p> <p>70. 1/472236663672564416512" (0.0000000000000000000048572257554735853898984375mm)</p> <p>71. 1/944473327345128833024" (0.0000000000000000000024286128777367926944946875mm)</p> <p>72. 1/1888946654902577666048" (0.00000000000000000000121430643886839634722471875mm)</p> <p>73. 1/3777893309805155332096" (0.0000000000000000000006071532194344182111109375mm)</p> <p>74. 1/7555786619610310664192" (0.00000000000000000000030357660971720910555546875mm)</p> <p>75. 1/15111573239220621328384" (0.0000000000000000000001517883048586045277777946875mm)</p> <p>76. 1/30223146478441242656768" (0.0000000000000000000000758941524293022638888984375mm)</p> <p>77. 1/60446292956882485313536" (0.00000000000000000000003794707621465113194444921875mm)</p> <p>78. 1/120892585913764970627072" (0.0000000000000000000000189735381073255659722246875mm)</p> <p>79. 1/241785171827529941254144" (0.00000000000000000000000948676905366277828611109375mm)</p> <p>80. 1/483570343655059882508288" (0.000000000000000000000004743384526831389141055546875mm)</p> <p>81. 1/967140687310119765016576" (0.0000000000000000000000023716922634156945575277946875mm)</p> <p>82. 1/1934281374620399530033152" (0.0000000000000000000000011858461317078472787638984375mm)</p> <p>83. 1/3868562749240799060066304" (0.000000000000000000000000592923065853943639381946875mm)</p> <p>84. 1/7737125498481598120132608" (0.0000000000000000000000002964615329269718196909746875mm)</p> <p>85. 1/15474250996963196240265216" (0.0000000000000000000000001482307664634859098454921875mm)</p> <p>86. 1/30948501993926392480530432" (0.0000000000000000000000000741153832317229549722746875mm)</p> <p>87. 1/61897003987852784961060864" (0.000000000000000000000000037057691615861474861138984375mm)</p> <p>88. 1/123794007975705569922121728" (0.00000000000000000000000001852884580793073743055946875mm)</p> <p>89. 1/247588015954111139844243456" (0.00000000000000000000000000926442290396536871727946875mm)</p> <p>90. 1/495176031908222279688486912" (0.00000000000000000000000000463221145198268435888984375mm)</p> <p>91. 1/990352063816444559376973824" (0.000000000000000000000000002316105725991342179444921875mm)</p> <p>92. 1/198070412763288911875394752" (0.000000000000000000000000001158052862995671089722246875mm)</p> <p>93. 1/396140825526577823750789504" (0.0000000000000000000000000005790264314997835448861109375mm)</p> <p>94. 1/792281651053155647501579008" (0.00000000000000000000000000028951321574989177244305546875mm)</p> <p>95. 1/1584563302106311295003158016" (0.000000000000000000000000000144756607874944886221727946875mm)</p> <p>96. 1/3169126604212622590006316032" (0.000000000000000000000000000072378303937472244305546875mm)</p> <p>97. 1/6338253208425245180012632064" (0.0000000000000000000000000000361891519687361221727946875mm)</p> <p>98. 1/12676506416850490360025264128" (0.0000000000000000000000000000180945759843660611109375mm)</p> <p>99. 1/25353012833700980720050528256" (0.000000000000000000000000000009047287992183303055546875mm)</p> <p>100. 1/50706025667401961440101056512" (0.0000000000000000000000000000045236439960916517277946875mm)</p> <p>101. 1/101412051334803922880202113024" (0.0000000000000000000000000000022618219980458258888984375mm)</p> <p>102. 1/202824102669607845760404226048" (0.00000000000000000000000000000113091099902291294444921875mm)</p> <p>103. 1/405648205339215691520808452096" (0.0000000000000000000000000000005654549995114564722246875mm)</p> <p>104. 1/811296410678431383041616904192" (0.00000000000000000000000000000028272749975572823611109375mm)</p> <p>105. 1/162259282135686276608323380784" (0.000000000000000000000000000000141363749877864118055546875mm)</p> <p>106. 1/324518564271372553216646761568" (0.0000000000000000000000000000000706818749389320590277946875mm)</p> <p>107. 1/649037128542745106433293523136" (0.0000000000000000000000000000000353409374694660295138984375mm)</p> <p>108. 1/1298074257085490212866587046272" (0.000000000000000000000000000000017670468734733301475946875mm)</p> <p>109. 1/2596148514170980425733174092544" (0.0000000000000000000000000000000088352343673666507297946875mm)</p> <p>110. 1/5192297028341960851466348185088" (0.0000000000000000000000000000000044176171836833253648984375mm)</p> <p>111. 1/10384594056683921702932896370176" (0.00000000000000000000000000000000220880859184166268244921875mm)</p> <p>112. 1/20769188113367843405865792740352" (0.0000000000000000000000000000000011044042959208313412246875mm)</p> <p>113. 1/41538376226735686811731585480704" (0.00000000000000000000000000000000055220214796041570611109375mm)</p> <p>114. 1/83076752453471373623463170961408" (0.000000000000000000000000000000000276101073980207853055546875mm)</p> <p>115. 1/166153504866942747246926341922816" (0.0000000000000000000000000000000001380505369901039265277946875mm)</p> <p>116. 1/332307009733885494493852683845632" (0.0000000000000000000000000000000000690252684950519632638984375mm)</p> <p>117. 1/664614019467770988987705367691264" (0.000000000000000000000000000000000034512634247525981631946875mm)</p> <p>118. 1/1329228038935541977975410735382528" (0.0000000000000000000000000000000000172563171237629908159746875mm)</p> <p>119. 1/2658456077871083955950821470765056" (0.0000000000000000000000000000000000086281585618814995277946875mm)</p> <p>120. 1/5316912155742167911901642941530112" (0.0000000000000000000000000000000000043140792809407497638984375mm)</p> <p>121. 1/10633824311484335823803283883060224" (0.000000000000000000000000000000000002157039640470374881946875mm)</p> <p>122. 1/21267648622968671647606567766120448" (0.0000000000000000000000000000000000010785198202351872440984375mm)</p> <p>123. 1/42535297245937343295213135532240896" (0.00000000000000000000000000000000000053925991011758862204921875mm)</p> <p>124. 1/85070594491874686590426271064481792" (0.00000000000000000000000000000000000026962995505879441104921875mm)</p> <p>125. 1/17014118898374937318085254212896384" (0.0000000000000000000000000000000000001348149775293972055246875mm)</p> <p>126. 1/34028237796749874636170508425792768" (0.0000000000000000000000000000000000000674074887646986027638984375mm)</p> <p>127. 1/68056475593499749272341016851585536" (0.000000000000000000000000000000000000033703744382349301381946875mm)</p> <p>128. 1/13611295118699949444468203370311072" (0.00000000000000000000000000000000000001</p>																																																										

8	7	6	5	4	3	2	1	1	1																																					
<p>NOTES: (QUALITY CONTROL SHEET) 1. THE REFLECTOR MUST BE FULLY TIGHTENED. 2. THE REFLECTOR MUST BE FULLY TIGHTENED. 3. THE REFLECTOR MUST BE FULLY TIGHTENED.</p> <div style="border: 1px solid black; padding: 5px; margin: 5px 0;"> <p style="text-align: center; background-color: #f0f0f0;">NOTICE</p> <p>TEMPERATURE CHANGE DURING CALIBRATION OR ALIGNMENT OF THIS REFLECTOR WILL ADVERSELY AFFECT THE ALIGNMENT QUALITY, AND THEREFORE, THE PERFORMANCE OF THIS ANTENNA. CALIBRATION AND ALIGNMENT SHOULD ONLY BE DONE DURING STABLE TEMPERATURE CONDITIONS, IDEALLY DURING SUNSET OR UNDER HEAVY CLOUD COVER.</p> <p>BEFORE THEODOLOTE INSTALLATION/CALIBRATION, OR REFLECTOR ALIGNMENT, ALL PANEL SEAM HARDWARE SHOULD BE LOOSE INCLUDING THE LIFTING TAB HARDWARE. THE ONLY EXCEPTION IS HARDWARE ON THE BRACKET, WHICH SHOULD BE TIGHT. THE SUBREFLECTOR STRUTS SHOULD NOT BE TIGHT, ATTACHED TO THE REFLECTOR AT THIS TIME.</p> </div> <p>INSTALLATION AND CALIBRATION OF THEODOLOTE TO ANTENNA:</p> <p>1. INSTALLATION:</p> <p>1.1 BEFORE INSTALLING THE THEODOLOTE SUPPORT KIT ON THE TORQUE TUBE, MAKE SURE THE HEIGHT OF THE SUPPORT/THEODOLOTE ASSEMBLY AS ILLUSTRATED ON SHEET 4. THIS WILL HELP IN THE SUBSEQUENT ADJUSTMENTS.</p> <p>ASSEMBLE THEODOLOTE SUPPORT KIT ON TOP OF TORQUE TUBE AS ILLUSTRATED ON SHEET 4 VIEW A AND SHEET 5.</p> <p>1.2 ASSEMBLY ALIGNMENT STICK: THE ALIGNMENT STICK COMES IN THREE SECTIONS. THE SCREW LETTERS TOGETHER, MATCHING THE LETTERS ON THE ENDS OF THE INDIVIDUAL SECTIONS.</p> <p>1.3 INSTALL BRASS ROD HOLDERS: INSTALL BRASS ROD HOLDERS IN SEAM HOLE #11 ON RIB # 1, 6, & 11, AS ILLUSTRATED ON SHEETS 5 AND 6 (REFLECTOR SEAM SCREWS MUST FIRST BE REMOVED IN THESE LOCATIONS). MAKE SURE THE BOTTOM OF THE ROD HOLDERS ARE SITTING FLUSH ON THE REFLECTOR PANELS AND THEY ARE POINTED TOWARD THE THEODOLOTE ASSEMBLY.</p> <p>ATTACH THE ALIGNMENT STICK TO THE ROD HOLDER IN RIB #2 WITH THE KNOB ASSEMBLY.</p> <p>1.4 INSTALL TARGET SCREWS: INSTALL TARGET SCREWS ON ALL 16 RIBS AS SHOWN IN FIG. 5. THESE SCREWS MUST FIRST BE REMOVED IN THESE LOCATIONS. BE CAREFUL THAT TARGET SCREWS ARE FULLY SEATED ON THE RIB SURFACE, NOT THE REFLECTOR SURFACE. THIS IS BEST DONE DURING ASSEMBLY OF REFLECTOR/BACKSTRUCTURE.</p>	<p>1.5 "CLOCK" THE REFLECTOR ASSEMBLY: REFER TO SHEET 2, THE THEODOLOTE SUPPORT ASSEMBLY MUST BE "CLOCKED" TO THE BRASS ROD HOLDERS SUCH THAT TWO OF THE TRIBRACH LEVELLING SCREWS RUN PARALLEL WITH RIBS 2 & 10 (SEE ENLARGED VIEW ON SHEET 6). THIS CAN BE ACCOMPLISHED BY ROTATING THE TOP FLANGE OF THE TORQUE TUBE WHICH WILL ROTATE THE ENTIRE THEODOLOTE ASSEMBLY.</p> <p>2. CALIBRATION: NOTE: BEFORE ADJUSTMENTS, MAKE SURE THAT ALL THE HARDWARE CONNECTING THE TORQUE TUBE TO THE REFLECTOR ARE FULLY TIGHTENED. ANY LOOSE HARDWARE WILL CAUSE IMPROPER THEODOLOTE ALIGNMENT.</p> <p>2.1 CALIBRATION SEQUENCES:</p> <ol style="list-style-type: none"> 1. LEVELLING (SECT. 2.2) 2. CENTERING (SECT. 6.3) 3. ADJUST HEIGHT (SECT. 6.4) 4. (TYPICALLY 4-5 TIMES) TO ACHIEVE CALIBRATION SPECIFICATIONS. <p>3. READY FOR REFLECTOR ALIGNMENT</p> <p>2.2 LEVELLING: BE SURE TO USE THE PROPER SCRIBE LINE, DEPENDING ON THE MAKE OF THEODOLOTE (SEE SHEET 5). AFTER INSTALLATION ON TO THE TORQUE TUBE IT IS NECESSARY TO LEVEL THE THEODOLOTE TO THE REFLECTOR.</p> <p>THIS CAN BE ACCOMPLISHED BY ADJUSTING TWO OF THE THREE LEVELLING SCREWS OF THE TRIBRACH.</p> <p>WITH THE STICK AT RIB #2, FOCUS AND ADJUST THE THEODOLOTE ELEVATION TO THE SCRIBE LINE AND RECORD THIS READING AS R2. ROTATE THEODOLOTE FOCUS AND ADJUST ELEVATION TO THE SCRIBE LINE AND RECORD THIS READING AS R2.</p> <p>RELOCATE STICK TO RIB #10. ROTATE THEODOLOTE FOCUS AND ADJUST ELEVATION TO THE SCRIBE LINE AND RECORD THIS READING AS R3.</p> <p>CALCULATE AN AVERAGE ANGLE BY ADDING R1, R2 & R3 TOGETHER AND DIVIDING BY 3. RECORD THIS AS R4. ADJUST THEODOLOTE ELEVATION ANGLE TO THIS NEW ANGLE R4.</p> <p>ADJUST THE TRIBRACH LEVELLING SCREW #1 (NEAREST THE ALIGNMENT STICK, WHICH SHOULD BE IN RIB #10, SEE SHEET 6) UP OR DOWN UNTIL THE THEODOLOTE IS CALIBRATED TO SCRIBE LINE. (DO NOT MOVE LEVELLING SCREWS #2 OR #3).</p> <p>RELOCATE THE STICK TO RIB #7. WHILE LEAVING THE THEODOLOTE ELEVATION SET TO "R4", ADJUST THE TRIBRACH LEVELLING SCREW #3 (NEAREST THE ALIGNMENT STICK, WHICH SHOULD BE IN RIB #7, SEE SHEET 6) UP OR DOWN UNTIL THE THEODOLOTE IS CALIBRATED TO THE SCRIBE LINE. (DO NOT MOVE LEVELLING SCREWS #1 OR #2).</p> <p>RECORD THE CURRENT ELEVATION (R4) ANGLE AS R2. RELOCATE THE STICK TO RIBS #2 AND #10. SIGHT THE SCRIBE LINE, ADJUST AND RECORD ANGLES R1 AND R3 AGAIN.</p>	<p>AT THE END OF THE INITIAL LEVELLING PROCEDURE ANGLES R1, R2, & R3 SHOULD BE WITHIN 1 TO 2 MINUTES OF 90 DEGREES. IF CALIBRATION OF THEODOLOTE AT THIS POINT IS ONLY A FEW SECONDS AWAY, LEVELLING WILL BE DONE DURING SUCCESSIVE SEQUENCES.</p> <p>REFER TO THE CALIBRATION SPECIFICATIONS ON SHEET 1 FOR FINAL LEVELLING REQUIREMENTS.</p> <p>AFTER LEVELLING, ADJUST THE CENTERING AS INDICATED BELOW.</p> <p>2.3 CENTERING: CENTERING OF THE THEODOLOTE IS ACCOMPLISHED WITH THE X-Y DUAL AXIS TRANSLATION STAGE (REFER TO SHEET 3). THIS DEVICE HAS 2 SETS OF MICROMETERS AND 2 SETS OF LOCKING SCREWS. OPPOSED AT 90 DEGREES TO EACH OTHER. MAKE SURE THAT THE LOCKING SCREWS ARE UNLOCKED. THE COUNTERLOCK WISE TO PROVIDE FREE MOVEMENT OF THE DEVICE. THE SCREWS WILL BE USED TO LOCK THE DEVICE IN PLACE AFTER THE CENTERING IS COMPLETE.</p> <p>CENTERING IS ACCOMPLISHED BY FOCUSING TO THE BOTTOM OF 4 OPPOSED THREADED RIB HOLES (NOT PANEL HOLES). REMOVE THE SEAM SCREWS FROM SEAM HOLE #12 AT THE 4 RIBS WHICH BEST LINE UP WITH THE THEODOLOTE. FOR EVERY THIS ALIGNMENT MAY BE DIFFERENT. AFTER INSTALLATION DEPENDING ASSEMBLY VARIANCES IN THE SUPPORT ASSEMBLY, IN THE CASE OF THE ENLARGED VIEW ON SHEET 6, RIB #S 1, 5, & 13 WOULD BE SELECTED.</p> <p>FOCUS AND ADJUST THE THEODOLOTE ELEVATION UNTIL THE BOTTOM EDGE OF A THREADED RIB HOLE IS SIGHTED. RECORD THIS READING AS T1. REPEAT THIS PROCEDURE 180 DEGREE APART AND RECORD THIS NEW READING AS T2. ADD T1 AND T2 AND DIVIDE BY 2. RECORD THIS NUMBER AS T3. ADJUST THE ELEVATION ANGLE OF THE THEODOLOTE TO T3. USING THE TORQUE TUBE AS A GUIDE, WITH THESE TUBE SCREWINGS, ADJUST UNTIL THE THEODOLOTE CROSSHAIR IS FOCUSED TO THE HOLE EDGE.</p> <p>ROTATE THE THEODOLOTE 180 DEGREES AND RESIGHT. FOR INITIAL CENTERINGS, THIS SHOULD BE WITHIN 1 TO 2 MINUTES OF 90 DEGREES. IF CALIBRATION OF THEODOLOTE AT THIS POINT IS ONLY A FEW SECONDS AWAY, CENTERING WILL BE DONE DURING SUCCESSIVE SEQUENCES.</p> <p>REFER TO THE CALIBRATION SPECIFICATIONS ON SHEET 1 FOR FINAL CENTERING REQUIREMENTS.</p> <p>REPEAT THE ABOVE PROCEDURE FOR THE OTHER AXIS OF THE X-Y TRANSLATION STAGE 90 DEGREES TO THE FIRST ONE.</p> <p>AFTER CENTERING, ADJUST THE THEODOLOTE HEIGHT AS INDICATED BELOW.</p>	<p>2.4 ADJUST HEIGHT: BE SURE TO USE THE PROPER SCRIBE LINE, DEPENDING ON THE MAKE OF THEODOLOTE (SEE SHEET 5). THE HEIGHT ADJUSTMENT OF THE THEODOLOTE IS ACCOMPLISHED WITH THE PRECISION LIFT (REFER TO SHEET 4). THIS DEVICE CAN LOWER OR RAISE THE THEODOLOTE TO THE DESIRED HEIGHT BY ROTATING THE LARGE RIM LOCATED AT THE CENTER OF THE UPPER BODY OF THE DEVICE.</p> <p>AFTER THE LEVELLING AND CENTERING IS ACCOMPLISHED THE THEODOLOTE MUST BE ADJUSTED TO BE IN LINE WITH THE SCRIBE LINE OF THE ALIGNMENT STICK.</p> <p>WITH THE STICK LOCATED AT RIB #10, FIRST ADJUST EXACTLY 90 DEGREES TO MINUTE AND 0 SECONDS. THEN WHILE THE THEODOLOTE IS SET TO THIS ANGLE, FOCUS TO THE SCRIBE LINE AND MAKE AN UP OR DOWN ADJUSTMENT WITH THE LIFT. RECORD THIS AS H1 (90 DEGREES).</p> <p>RELOCATE THE STICK TO RIB #5. FOCUS AND ADJUST THE ELEVATION TO ALIGN TO STICK SCRIBE LINE, RECORD AS H3.</p> <p>THE SPECIFICATION FOR HEIGHT REQUIRES THAT H1, H2 & H3 BE 90 DEGREES. THIS CAN ONLY BE ACHIEVED THROUGH SUCCESSIVE LEVELLING/CENTERING SEQUENCES.</p> <p>2.0 REPEAT AS NECESSARY: REPEAT 2.2, 2.3, AND 2.4 UNTIL THE CALIBRATION SPECIFICATIONS ARE ACHIEVED. EACH SUCCESSIVE SPECIFICATION ARE ACHIEVED THROUGH SUCCESSIVE SMALLER DEVIATIONS FROM THE SPECIFICATIONS UNTIL THEY ARE FINALLY ACHIEVED. AFTER ALL CALIBRATION SPECIFICATIONS ARE ACHIEVED, GENTLY TIGHTEN THE X-Y STAGE LOCKING SCREWS.</p>	<p>3.0 REPEAT AS NECESSARY: REPEAT 2.2, 2.3, AND 2.4 UNTIL THE CALIBRATION SPECIFICATIONS ARE ACHIEVED. EACH SUCCESSIVE SPECIFICATION ARE ACHIEVED THROUGH SUCCESSIVE SMALLER DEVIATIONS FROM THE SPECIFICATIONS UNTIL THEY ARE FINALLY ACHIEVED. AFTER ALL CALIBRATION SPECIFICATIONS ARE ACHIEVED, GENTLY TIGHTEN THE X-Y STAGE LOCKING SCREWS.</p>	<p>PROCEED TO REFLECTOR ALIGNMENT ON SHEET 3</p>	<table border="1" style="width: 100%; border-collapse: collapse;"> <tr> <td style="width: 10%;">REV. NO.</td> <td style="width: 10%;">239611A</td> <td style="width: 10%;">REV. NO.</td> <td style="width: 10%;">2</td> <td style="width: 10%;">REV. NO.</td> <td style="width: 10%;">1</td> </tr> <tr> <td>DATE</td> <td></td> <td>DATE</td> <td></td> <td>DATE</td> <td></td> </tr> <tr> <td>BY</td> <td></td> <td>BY</td> <td></td> <td>BY</td> <td></td> </tr> <tr> <td>CHECKED</td> <td></td> <td>CHECKED</td> <td></td> <td>CHECKED</td> <td></td> </tr> <tr> <td>DATE</td> <td></td> <td>DATE</td> <td></td> <td>DATE</td> <td></td> </tr> </table> <p style="text-align: center;">7.6M THEODOLOTE & ALIGNMENT INSTRUCTIONS</p> <p style="text-align: right;">PARTS LIST</p> <table border="1" style="width: 100%; border-collapse: collapse;"> <tr> <td style="width: 10%;">ITEM NO.</td> <td style="width: 10%;">QTY</td> <td style="width: 10%;">DESC</td> <td style="width: 10%;">PARTS LIST</td> <td style="width: 10%;">DESCRIPTION</td> </tr> <tr> <td>1</td> <td>1</td> <td>7.6M THEODOLOTE & ALIGNMENT INSTRUCTIONS</td> <td></td> <td></td> </tr> </table> <p style="text-align: right;">239611A</p> <p style="text-align: right;">REV. 2 OF 6</p>	REV. NO.	239611A	REV. NO.	2	REV. NO.	1	DATE		DATE		DATE		BY		BY		BY		CHECKED		CHECKED		CHECKED		DATE		DATE		DATE		ITEM NO.	QTY	DESC	PARTS LIST	DESCRIPTION	1	1	7.6M THEODOLOTE & ALIGNMENT INSTRUCTIONS		
REV. NO.	239611A	REV. NO.	2	REV. NO.	1																																									
DATE		DATE		DATE																																										
BY		BY		BY																																										
CHECKED		CHECKED		CHECKED																																										
DATE		DATE		DATE																																										
ITEM NO.	QTY	DESC	PARTS LIST	DESCRIPTION																																										
1	1	7.6M THEODOLOTE & ALIGNMENT INSTRUCTIONS																																												

NOTES: (UNLESS OTHERWISE SPECIFIED)

- 1. DIMENSIONS ARE IN INCHES
- 2. DIMENSIONS ARE TO CENTER UNLESS NOTED
- 3. INTERPRET DIMENSIONS PER ASME Y14.5M-1994

△ A APPROVED THEODOLITE:
 - WILD HEGERBRUGG T2 UNIVERSAL MANUAL THEODOLITE (± SEC ACCURACY)
 - TOPCON DIGITAL DT-465A DR DT-05 (± SEC ACCURACY)

△ S WITH ELEVATION SET @ 90° 00' 00" AND TRIBRACH LEVELED FOR REFERENCE ONLY. THESE ARE SETUP DIMENSIONS ONLY. A RANGE OF ± 1/4" IS ACCEPTABLE.

VIEW A

MFG	INSPECTION	TEST
MFG PROCESSES		
TEST PROCEDURES		
AUSA SPECIFICATIONS		

PART NO.	REV	DATE	APPROVED
23961A	4	9/2/95	SLC:JA
REVISIONS			
REV	DATE	DESCRIPTION	BY
A	08/04/95	CHANGED PER MARK-UP. CAB # WAS D0000004.	JEN

DRAWN	CHECKED	DATE	DESCRIPTION

MATERIAL	QUANTITY	DESCRIPTION	REMARKS

PARTS LIST	DESCRIPTION

MATERIAL	QUANTITY	DESCRIPTION	REMARKS

MATERIAL	QUANTITY	DESCRIPTION	REMARKS

MATERIAL	QUANTITY	DESCRIPTION	REMARKS

MATERIAL	QUANTITY	DESCRIPTION	REMARKS

MATERIAL	QUANTITY	DESCRIPTION	REMARKS

MATERIAL	QUANTITY	DESCRIPTION	REMARKS

MATERIAL	QUANTITY	DESCRIPTION	REMARKS

MATERIAL	QUANTITY	DESCRIPTION	REMARKS

MATERIAL	QUANTITY	DESCRIPTION	REMARKS

MATERIAL	QUANTITY	DESCRIPTION	REMARKS

MATERIAL	QUANTITY	DESCRIPTION	REMARKS

MATERIAL	QUANTITY	DESCRIPTION	REMARKS

MATERIAL	QUANTITY	DESCRIPTION	REMARKS

MATERIAL	QUANTITY	DESCRIPTION	REMARKS

MATERIAL	QUANTITY	DESCRIPTION	REMARKS

MATERIAL	QUANTITY	DESCRIPTION	REMARKS

MATERIAL	QUANTITY	DESCRIPTION	REMARKS

MATERIAL	QUANTITY	DESCRIPTION	REMARKS

MATERIAL	QUANTITY	DESCRIPTION	REMARKS

MATERIAL	QUANTITY	DESCRIPTION	REMARKS

MATERIAL	QUANTITY	DESCRIPTION	REMARKS

MATERIAL	QUANTITY	DESCRIPTION	REMARKS

MATERIAL	QUANTITY	DESCRIPTION	REMARKS

MATERIAL	QUANTITY	DESCRIPTION	REMARKS

MATERIAL	QUANTITY	DESCRIPTION	REMARKS

MATERIAL	QUANTITY	DESCRIPTION	REMARKS

MATERIAL	QUANTITY	DESCRIPTION	REMARKS

MATERIAL	QUANTITY	DESCRIPTION	REMARKS

MATERIAL	QUANTITY	DESCRIPTION	REMARKS

MATERIAL	QUANTITY	DESCRIPTION	REMARKS

MATERIAL	QUANTITY	DESCRIPTION	REMARKS

MATERIAL	QUANTITY	DESCRIPTION	REMARKS

MATERIAL	QUANTITY	DESCRIPTION	REMARKS

MATERIAL	QUANTITY	DESCRIPTION	REMARKS

MATERIAL	QUANTITY	DESCRIPTION	REMARKS

MATERIAL	QUANTITY	DESCRIPTION	REMARKS

MATERIAL	QUANTITY	DESCRIPTION	REMARKS

MATERIAL	QUANTITY	DESCRIPTION	REMARKS

MATERIAL	QUANTITY	DESCRIPTION	REMARKS

MATERIAL	QUANTITY	DESCRIPTION	REMARKS

MATERIAL	QUANTITY	DESCRIPTION	REMARKS

MATERIAL	QUANTITY	DESCRIPTION	REMARKS

MATERIAL	QUANTITY	DESCRIPTION	REMARKS

MATERIAL	QUANTITY	DESCRIPTION	REMARKS

MATERIAL	QUANTITY	DESCRIPTION	REMARKS

MATERIAL	QUANTITY	DESCRIPTION	REMARKS

MATERIAL	QUANTITY	DESCRIPTION	REMARKS

MATERIAL	QUANTITY	DESCRIPTION	REMARKS

MATERIAL	QUANTITY	DESCRIPTION	REMARKS

MATERIAL	QUANTITY	DESCRIPTION	REMARKS

MATERIAL	QUANTITY	DESCRIPTION	REMARKS

MATERIAL	QUANTITY	DESCRIPTION	REMARKS

MATERIAL	QUANTITY	DESCRIPTION	REMARKS

MATERIAL	QUANTITY	DESCRIPTION	REMARKS

MATERIAL	QUANTITY	DESCRIPTION	REMARKS

MATERIAL	QUANTITY	DESCRIPTION	REMARKS

MATERIAL	QUANTITY	DESCRIPTION	REMARKS

MATERIAL	QUANTITY	DESCRIPTION	REMARKS

MATERIAL	QUANTITY	DESCRIPTION	REMARKS

MATERIAL	QUANTITY	DESCRIPTION	REMARKS

MATERIAL	QUANTITY	DESCRIPTION	REMARKS

MATERIAL	QUANTITY	DESCRIPTION	REMARKS

MATERIAL	QUANTITY	DESCRIPTION	REMARKS

MATERIAL	QUANTITY	DESCRIPTION	REMARKS

MATERIAL	QUANTITY	DESCRIPTION	REMARKS

MATERIAL	QUANTITY	DESCRIPTION	REMARKS

MATERIAL	QUANTITY	DESCRIPTION	REMARKS

MATERIAL	QUANTITY	DESCRIPTION	REMARKS

MATERIAL	QUANTITY	DESCRIPTION	REMARKS

MATERIAL	QUANTITY	DESCRIPTION	REMARKS

MATERIAL	QUANTITY	DESCRIPTION	REMARKS

MATERIAL	QUANTITY	DESCRIPTION	REMARKS

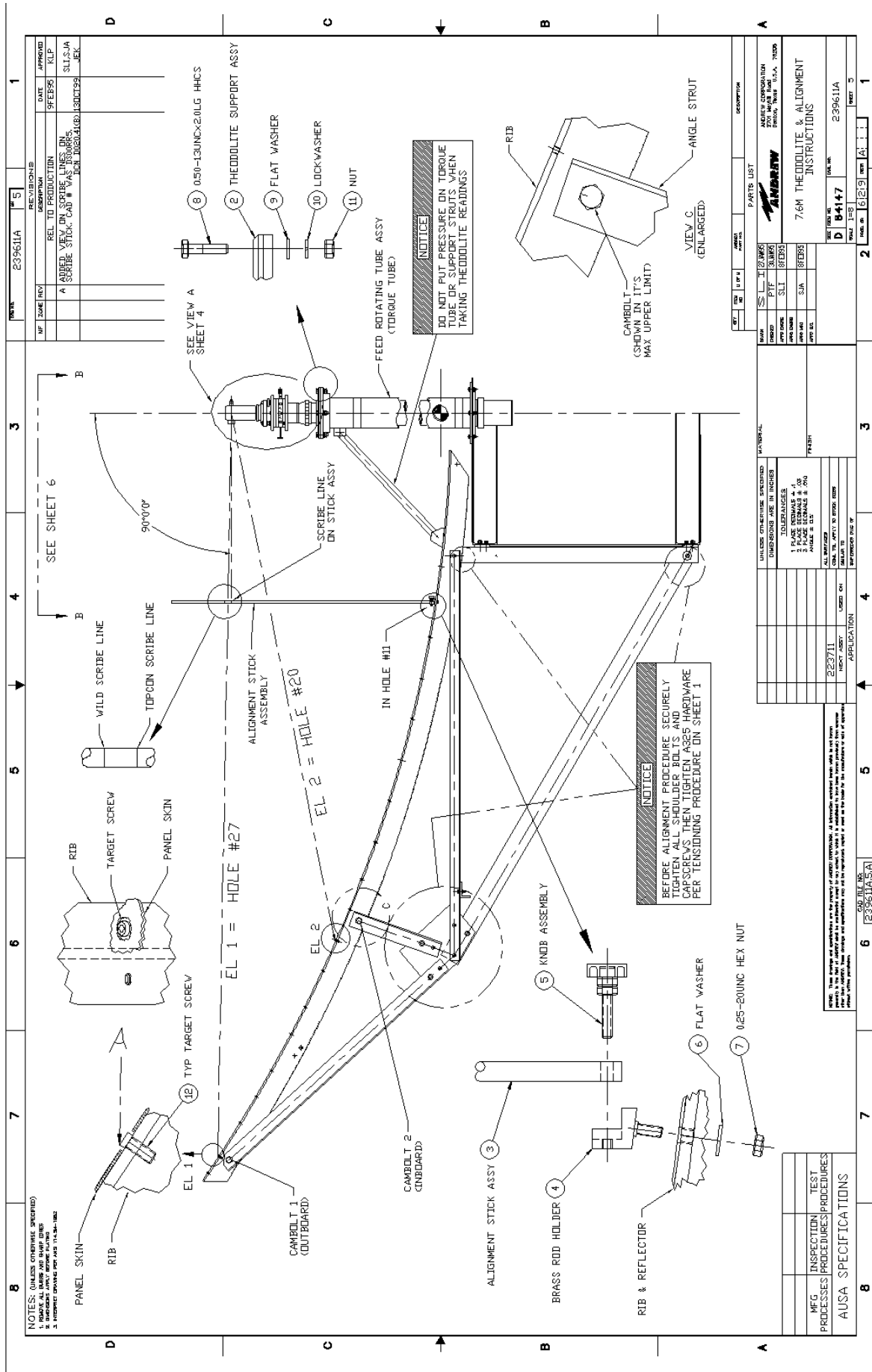
MATERIAL	QUANTITY	DESCRIPTION	REMARKS

MATERIAL	QUANTITY	DESCRIPTION	REMARKS

MATERIAL	QUANTITY	DESCRIPTION	REMARKS

MATERIAL	QUANTITY	DESCRIPTION	REMARKS

MATERIAL	QUANTITY	DESCRIPTION	REMARKS
----------	----------	-------------	---------



REV	DATE	DESCRIPTION	BY	CHKD
1	08/13/99	ISSUED FOR PRODUCTION	SL/SJA	JEC
2	08/13/99	ADDED VIEW ON SCRIBE LINES ON SCRIBE STICK, CAB W WAS BUSHINGS	SL/SJA	JEC

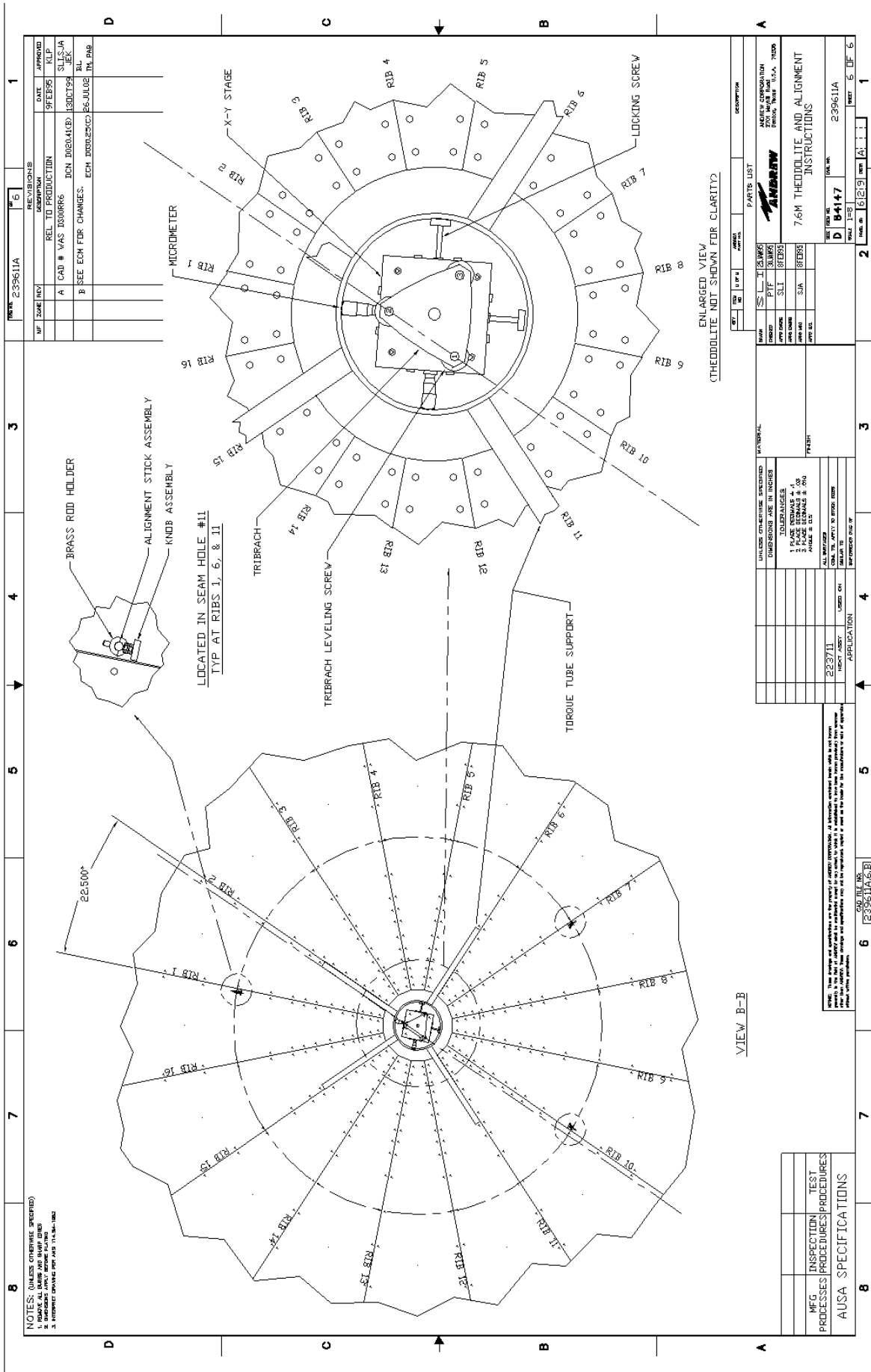
REV	DATE	DESCRIPTION	BY	CHKD
1	08/13/99	ISSUED FOR PRODUCTION	SL/SJA	JEC
2	08/13/99	ADDED VIEW ON SCRIBE LINES ON SCRIBE STICK, CAB W WAS BUSHINGS	SL/SJA	JEC

QTY	UNIT	DESCRIPTION
1	ASSEMBLY	ALIGNMENT STICK ASSY
1	ASSEMBLY	BRASS ROD HOLDER
1	ASSEMBLY	KNOB ASSEMBLY
1	ASSEMBLY	THEODOLITE SUPPORT ASSY
1	ASSEMBLY	FEED ROTATING TUBE ASSY (TORQUE TUBE)
1	ASSEMBLY	ALIGNMENT STICK
1	ASSEMBLY	CAMBOLIT 1 (OUTBOARD)
1	ASSEMBLY	CAMBOLIT 2 (INBOARD)
1	ASSEMBLY	0.25-20UNC HEX NUT
1	ASSEMBLY	0.50-13UNCx2.0LG HHCS
1	ASSEMBLY	FLAT WASHER
1	ASSEMBLY	LOCK WASHER
1	ASSEMBLY	NUT
1	ASSEMBLY	TYP TARGET SCREW
1	ASSEMBLY	PANEL SKIN
1	ASSEMBLY	RIB
1	ASSEMBLY	BRASS ROD
1	ASSEMBLY	ANGLE STRUT
1	ASSEMBLY	CAMBOLIT TTS (SHOULDERS MAX UPPER LIMIT)

UNLESS OTHERWISE SPECIFIED DIMENSIONS ARE IN INCHES
TOLERANCES
1. FRACTIONS ±0.005
2. DECIMALS ±0.005
3. DIMENSIONS ±0.005
4. ANGLES ±0.005
5. HOLE DIA ±0.005
6. HOLE DIA ±0.005
7. HOLE DIA ±0.005
8. HOLE DIA ±0.005
9. HOLE DIA ±0.005
10. HOLE DIA ±0.005
11. HOLE DIA ±0.005
12. HOLE DIA ±0.005
13. HOLE DIA ±0.005
14. HOLE DIA ±0.005
15. HOLE DIA ±0.005
16. HOLE DIA ±0.005
17. HOLE DIA ±0.005
18. HOLE DIA ±0.005
19. HOLE DIA ±0.005
20. HOLE DIA ±0.005
21. HOLE DIA ±0.005
22. HOLE DIA ±0.005
23. HOLE DIA ±0.005
24. HOLE DIA ±0.005
25. HOLE DIA ±0.005
26. HOLE DIA ±0.005
27. HOLE DIA ±0.005
28. HOLE DIA ±0.005
29. HOLE DIA ±0.005
30. HOLE DIA ±0.005
31. HOLE DIA ±0.005
32. HOLE DIA ±0.005
33. HOLE DIA ±0.005
34. HOLE DIA ±0.005
35. HOLE DIA ±0.005
36. HOLE DIA ±0.005
37. HOLE DIA ±0.005
38. HOLE DIA ±0.005
39. HOLE DIA ±0.005
40. HOLE DIA ±0.005
41. HOLE DIA ±0.005
42. HOLE DIA ±0.005
43. HOLE DIA ±0.005
44. HOLE DIA ±0.005
45. HOLE DIA ±0.005
46. HOLE DIA ±0.005
47. HOLE DIA ±0.005
48. HOLE DIA ±0.005
49. HOLE DIA ±0.005
50. HOLE DIA ±0.005
51. HOLE DIA ±0.005
52. HOLE DIA ±0.005
53. HOLE DIA ±0.005
54. HOLE DIA ±0.005
55. HOLE DIA ±0.005
56. HOLE DIA ±0.005
57. HOLE DIA ±0.005
58. HOLE DIA ±0.005
59. HOLE DIA ±0.005
60. HOLE DIA ±0.005
61. HOLE DIA ±0.005
62. HOLE DIA ±0.005
63. HOLE DIA ±0.005
64. HOLE DIA ±0.005
65. HOLE DIA ±0.005
66. HOLE DIA ±0.005
67. HOLE DIA ±0.005
68. HOLE DIA ±0.005
69. HOLE DIA ±0.005
70. HOLE DIA ±0.005
71. HOLE DIA ±0.005
72. HOLE DIA ±0.005
73. HOLE DIA ±0.005
74. HOLE DIA ±0.005
75. HOLE DIA ±0.005
76. HOLE DIA ±0.005
77. HOLE DIA ±0.005
78. HOLE DIA ±0.005
79. HOLE DIA ±0.005
80. HOLE DIA ±0.005
81. HOLE DIA ±0.005
82. HOLE DIA ±0.005
83. HOLE DIA ±0.005
84. HOLE DIA ±0.005
85. HOLE DIA ±0.005
86. HOLE DIA ±0.005
87. HOLE DIA ±0.005
88. HOLE DIA ±0.005
89. HOLE DIA ±0.005
90. HOLE DIA ±0.005
91. HOLE DIA ±0.005
92. HOLE DIA ±0.005
93. HOLE DIA ±0.005
94. HOLE DIA ±0.005
95. HOLE DIA ±0.005
96. HOLE DIA ±0.005
97. HOLE DIA ±0.005
98. HOLE DIA ±0.005
99. HOLE DIA ±0.005
100. HOLE DIA ±0.005

QTY	UNIT	DESCRIPTION
1	ASSEMBLY	ALIGNMENT STICK ASSY
1	ASSEMBLY	BRASS ROD HOLDER
1	ASSEMBLY	KNOB ASSEMBLY
1	ASSEMBLY	THEODOLITE SUPPORT ASSY
1	ASSEMBLY	FEED ROTATING TUBE ASSY (TORQUE TUBE)
1	ASSEMBLY	ALIGNMENT STICK
1	ASSEMBLY	CAMBOLIT 1 (OUTBOARD)
1	ASSEMBLY	CAMBOLIT 2 (INBOARD)
1	ASSEMBLY	0.25-20UNC HEX NUT
1	ASSEMBLY	0.50-13UNCx2.0LG HHCS
1	ASSEMBLY	FLAT WASHER
1	ASSEMBLY	LOCK WASHER
1	ASSEMBLY	NUT
1	ASSEMBLY	TYP TARGET SCREW
1	ASSEMBLY	PANEL SKIN
1	ASSEMBLY	RIB
1	ASSEMBLY	BRASS ROD
1	ASSEMBLY	ANGLE STRUT
1	ASSEMBLY	CAMBOLIT TTS (SHOULDERS MAX UPPER LIMIT)

QTY	UNIT	DESCRIPTION
1	ASSEMBLY	ALIGNMENT STICK ASSY
1	ASSEMBLY	BRASS ROD HOLDER
1	ASSEMBLY	KNOB ASSEMBLY
1	ASSEMBLY	THEODOLITE SUPPORT ASSY
1	ASSEMBLY	FEED ROTATING TUBE ASSY (TORQUE TUBE)
1	ASSEMBLY	ALIGNMENT STICK
1	ASSEMBLY	CAMBOLIT 1 (OUTBOARD)
1	ASSEMBLY	CAMBOLIT 2 (INBOARD)
1	ASSEMBLY	0.25-20UNC HEX NUT
1	ASSEMBLY	0.50-13UNCx2.0LG HHCS
1	ASSEMBLY	FLAT WASHER
1	ASSEMBLY	LOCK WASHER
1	ASSEMBLY	NUT
1	ASSEMBLY	TYP TARGET SCREW
1	ASSEMBLY	PANEL SKIN
1	ASSEMBLY	RIB
1	ASSEMBLY	BRASS ROD
1	ASSEMBLY	ANGLE STRUT
1	ASSEMBLY	CAMBOLIT TTS (SHOULDERS MAX UPPER LIMIT)



NOTES: (UNLESS OTHERWISE SPECIFIED)

1. REFERENCE TO PART NUMBER IS TO THE PART NUMBER LIST.
2. REFERENCE TO DRAWING TITLE IS TO THE DRAWING TITLE.
3. REFERENCE TO SECTION IS TO THE SECTION IDENTIFICATION.

GENERAL:

READ THE INSTRUCTIONS THOROUGHLY BEFORE ASSEMBLY. FOLLOW THE SEQUENCES FOR PROPER ASSEMBLY AND OPERATION.

CAUTION: PREVENT DAMAGE TO THE REFLECTOR AT THIS POINT WHICH COULD RESULT IN IMPAIR TO THE PERFORMANCE OF THE REFLECTOR AND POSSIBLE INJURY TO PERSONNEL.

NOTICE:

THIS INDICATES INFORMATION THAT SHOULD BE READ BEFORE PROCEEDING.

UNPACKING:

CAREFULLY REMOVE ALL PARTS FROM SHIPPING BOXES. THE CONTENT SHOULD CORRESPOND WITH THE PARTS LIST. ANY DAMAGE OR DEFORMATION OF THE ANTENNA.

NOTICE:

THIS INSTALLATION MUST BE PERFORMED BY AN ANTENNA INSTALLATION PERSONNEL WHOSE TRAINING AND EXPERIENCE REQUIRE QUALIFIED PERSONNEL. ANDREW INSTALLATION INSTRUCTIONS HAVE BEEN WRITTEN AND ILLUSTRATED FOR REFLECTOR USE BY QUALIFIED PERSONNEL TO VERIFY PROPER INSTALLATION. ANDREW ASSUMES NO LIABILITY FOR THE RESULTS OF UNSAFE INSTALLATION OR MAINTENANCE PRACTICES.

NOTICE:

THE FOLLOWING INSTRUCTIONS HAVE BEEN WRITTEN SUCH THAT THE REFLECTOR SHOULD BE INSTALLED ON THE GROUND AND LIFTED INTO POSITION BY USE OF A CRANE. IF A CRANE IS NOT AVAILABLE, THE REFLECTOR SHOULD BE SUPPORTED BY REFLECTOR STRUT SUPPORTS. THEN INSTALL THE REFLECTOR.

TOOLS RECOMMENDED FOR PROPER INSTALLATION:

QUANTITY	DESCRIPTION
1	SORENSEN (CLUTTER)
1	1/4 CONSUMATION WRENCH
2	1/2 SOCKET
1	20 FT. TAPE MEASURE
1	15 FT. STEEL AND EYE TYED WILDON SLING
1	20 FT. EXTENSION LADDER
1	8 FT. STEP LADDER

NOTICE:

MAKE SURE THAT THE FEED SYSTEM IS INSTALLED ON THE REFLECTOR PRIOR TO THE SUBREFLECTOR STRUTS.

STEP 1:

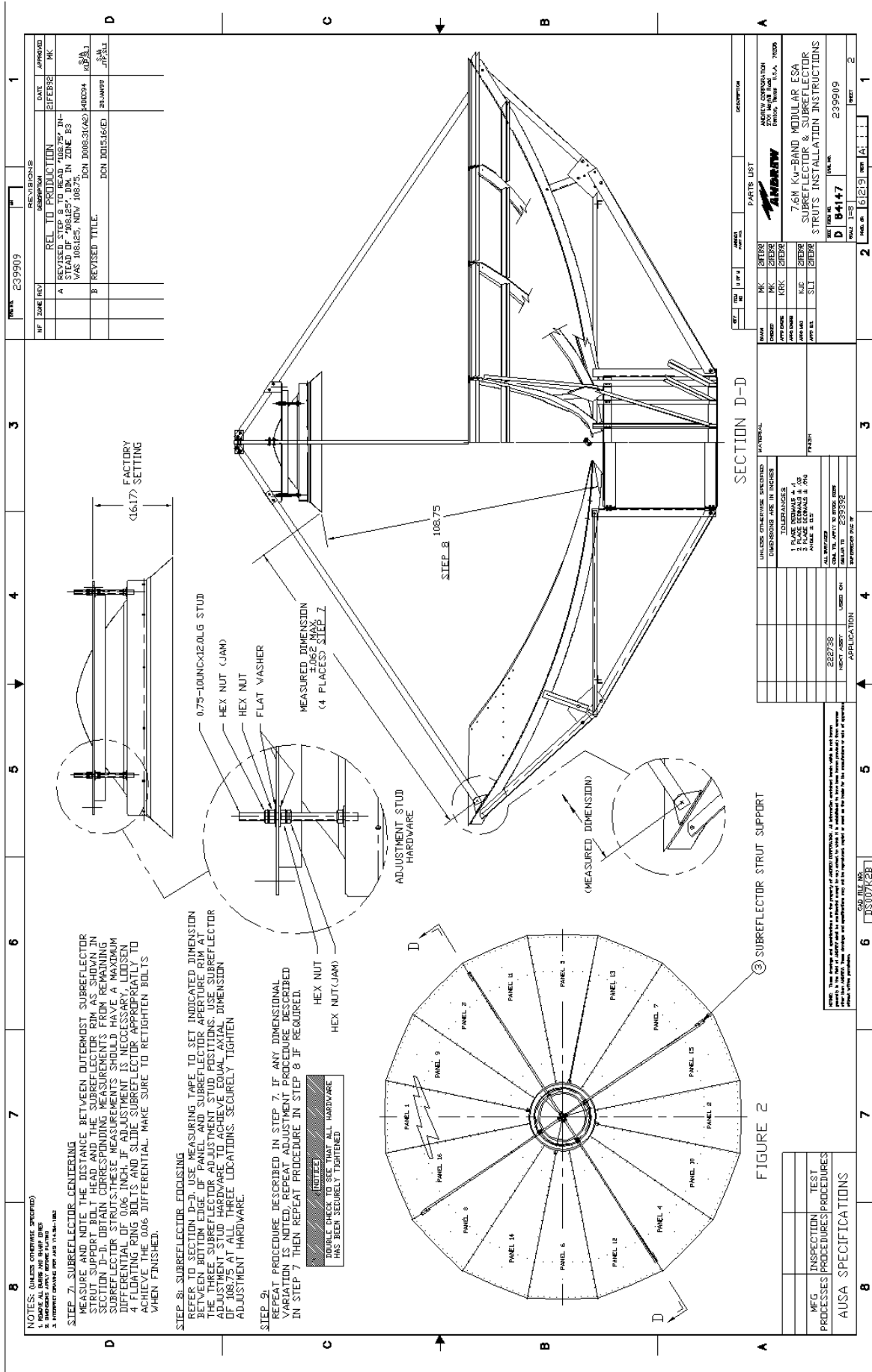
PLACE REFLECTOR IN TENTH (45-90°) POSITION. REFER TO INSTALLATION INSTRUCTION P/N 239500A FOR REFLECTOR ASSEMBLY INSTALLATION.

STEP 2:

REFER TO FIGURE 1. LOOSELY ASSEMBLE SUBREFLECTOR STRUT ASSEMBLY (ITEM 1) AS SHOWN USING SUPPLIED ANGLES (ITEM 2), SUBREFLECTOR STRUT BRACKETS (ITEM 4) AND CORRESPONDING MOUNTING HARDWARE.

STEP 3:

REFER TO FIGURE 1. LOOSELY ATTACH SUBREFLECTOR STRUT SUPPORTS (ITEM 3). D. PANEL SEGMENTS 8-16, 3-11, 1-13, 1-14, 1-15, 1-16, 1-17, 1-18, 1-19, 1-20, 1-21, 1-22, 1-23, 1-24, 1-25, 1-26, 1-27, 1-28, 1-29, 1-30, 1-31, 1-32, 1-33, 1-34, 1-35, 1-36, 1-37, 1-38, 1-39, 1-40, 1-41, 1-42, 1-43, 1-44, 1-45, 1-46, 1-47, 1-48, 1-49, 1-50, 1-51, 1-52, 1-53, 1-54, 1-55, 1-56, 1-57, 1-58, 1-59, 1-60, 1-61, 1-62, 1-63, 1-64, 1-65, 1-66, 1-67, 1-68, 1-69, 1-70, 1-71, 1-72, 1-73, 1-74, 1-75, 1-76, 1-77, 1-78, 1-79, 1-80, 1-81, 1-82, 1-83, 1-84, 1-85, 1-86, 1-87, 1-88, 1-89, 1-90, 1-91, 1-92, 1-93, 1-94, 1-95, 1-96, 1-97, 1-98, 1-99, 1-100, 1-101, 1-102, 1-103, 1-104, 1-105, 1-106, 1-107, 1-108, 1-109, 1-110, 1-111, 1-112, 1-113, 1-114, 1-115, 1-116, 1-117, 1-118, 1-119, 1-120, 1-121, 1-122, 1-123, 1-124, 1-125, 1-126, 1-127, 1-128, 1-129, 1-130, 1-131, 1-132, 1-133, 1-134, 1-135, 1-136, 1-137, 1-138, 1-139, 1-140, 1-141, 1-142, 1-143, 1-144, 1-145, 1-146, 1-147, 1-148, 1-149, 1-150, 1-151, 1-152, 1-153, 1-154, 1-155, 1-156, 1-157, 1-158, 1-159, 1-160, 1-161, 1-162, 1-163, 1-164, 1-165, 1-166, 1-167, 1-168, 1-169, 1-170, 1-171, 1-172, 1-173, 1-174, 1-175, 1-176, 1-177, 1-178, 1-179, 1-180, 1-181, 1-182, 1-183, 1-184, 1-185, 1-186, 1-187, 1-188, 1-189, 1-190, 1-191, 1-192, 1-193, 1-194, 1-195, 1-196, 1-197, 1-198, 1-199, 1-200, 1-201, 1-202, 1-203, 1-204, 1-205, 1-206, 1-207, 1-208, 1-209, 1-210, 1-211, 1-212, 1-213, 1-214, 1-215, 1-216, 1-217, 1-218, 1-219, 1-220, 1-221, 1-222, 1-223, 1-224, 1-225, 1-226, 1-227, 1-228, 1-229, 1-230, 1-231, 1-232, 1-233, 1-234, 1-235, 1-236, 1-237, 1-238, 1-239, 1-240, 1-241, 1-242, 1-243, 1-244, 1-245, 1-246, 1-247, 1-248, 1-249, 1-250, 1-251, 1-252, 1-253, 1-254, 1-255, 1-256, 1-257, 1-258, 1-259, 1-260, 1-261, 1-262, 1-263, 1-264, 1-265, 1-266, 1-267, 1-268, 1-269, 1-270, 1-271, 1-272, 1-273, 1-274, 1-275, 1-276, 1-277, 1-278, 1-279, 1-280, 1-281, 1-282, 1-283, 1-284, 1-285, 1-286, 1-287, 1-288, 1-289, 1-290, 1-291, 1-292, 1-293, 1-294, 1-295, 1-296, 1-297, 1-298, 1-299, 1-300, 1-301, 1-302, 1-303, 1-304, 1-305, 1-306, 1-307, 1-308, 1-309, 1-310, 1-311, 1-312, 1-313, 1-314, 1-315, 1-316, 1-317, 1-318, 1-319, 1-320, 1-321, 1-322, 1-323, 1-324, 1-325, 1-326, 1-327, 1-328, 1-329, 1-330, 1-331, 1-332, 1-333, 1-334, 1-335, 1-336, 1-337, 1-338, 1-339, 1-340, 1-341, 1-342, 1-343, 1-344, 1-345, 1-346, 1-347, 1-348, 1-349, 1-350, 1-351, 1-352, 1-353, 1-354, 1-355, 1-356, 1-357, 1-358, 1-359, 1-360, 1-361, 1-362, 1-363, 1-364, 1-365, 1-366, 1-367, 1-368, 1-369, 1-370, 1-371, 1-372, 1-373, 1-374, 1-375, 1-376, 1-377, 1-378, 1-379, 1-380, 1-381, 1-382, 1-383, 1-384, 1-385, 1-386, 1-387, 1-388, 1-389, 1-390, 1-391, 1-392, 1-393, 1-394, 1-395, 1-396, 1-397, 1-398, 1-399, 1-400, 1-401, 1-402, 1-403, 1-404, 1-405, 1-406, 1-407, 1-408, 1-409, 1-410, 1-411, 1-412, 1-413, 1-414, 1-415, 1-416, 1-417, 1-418, 1-419, 1-420, 1-421, 1-422, 1-423, 1-424, 1-425, 1-426, 1-427, 1-428, 1-429, 1-430, 1-431, 1-432, 1-433, 1-434, 1-435, 1-436, 1-437, 1-438, 1-439, 1-440, 1-441, 1-442, 1-443, 1-444, 1-445, 1-446, 1-447, 1-448, 1-449, 1-450, 1-451, 1-452, 1-453, 1-454, 1-455, 1-456, 1-457, 1-458, 1-459, 1-460, 1-461, 1-462, 1-463, 1-464, 1-465, 1-466, 1-467, 1-468, 1-469, 1-470, 1-471, 1-472, 1-473, 1-474, 1-475, 1-476, 1-477, 1-478, 1-479, 1-480, 1-481, 1-482, 1-483, 1-484, 1-485, 1-486, 1-487, 1-488, 1-489, 1-490, 1-491, 1-492, 1-493, 1-494, 1-495, 1-496, 1-497, 1-498, 1-499, 1-500, 1-501, 1-502, 1-503, 1-504, 1-505, 1-506, 1-507, 1-508, 1-509, 1-510, 1-511, 1-512, 1-513, 1-514, 1-515, 1-516, 1-517, 1-518, 1-519, 1-520, 1-521, 1-522, 1-523, 1-524, 1-525, 1-526, 1-527, 1-528, 1-529, 1-530, 1-531, 1-532, 1-533, 1-534, 1-535, 1-536, 1-537, 1-538, 1-539, 1-540, 1-541, 1-542, 1-543, 1-544, 1-545, 1-546, 1-547, 1-548, 1-549, 1-550, 1-551, 1-552, 1-553, 1-554, 1-555, 1-556, 1-557, 1-558, 1-559, 1-560, 1-561, 1-562, 1-563, 1-564, 1-565, 1-566, 1-567, 1-568, 1-569, 1-570, 1-571, 1-572, 1-573, 1-574, 1-575, 1-576, 1-577, 1-578, 1-579, 1-580, 1-581, 1-582, 1-583, 1-584, 1-585, 1-586, 1-587, 1-588, 1-589, 1-590, 1-591, 1-592, 1-593, 1-594, 1-595, 1-596, 1-597, 1-598, 1-599, 1-600, 1-601, 1-602, 1-603, 1-604, 1-605, 1-606, 1-607, 1-608, 1-609, 1-610, 1-611, 1-612, 1-613, 1-614, 1-615, 1-616, 1-617, 1-618, 1-619, 1-620, 1-621, 1-622, 1-623, 1-624, 1-625, 1-626, 1-627, 1-628, 1-629, 1-630, 1-631, 1-632, 1-633, 1-634, 1-635, 1-636, 1-637, 1-638, 1-639, 1-640, 1-641, 1-642, 1-643, 1-644, 1-645, 1-646, 1-647, 1-648, 1-649, 1-650, 1-651, 1-652, 1-653, 1-654, 1-655, 1-656, 1-657, 1-658, 1-659, 1-660, 1-661, 1-662, 1-663, 1-664, 1-665, 1-666, 1-667, 1-668, 1-669, 1-670, 1-671, 1-672, 1-673, 1-674, 1-675, 1-676, 1-677, 1-678, 1-679, 1-680, 1-681, 1-682, 1-683, 1-684, 1-685, 1-686, 1-687, 1-688, 1-689, 1-690, 1-691, 1-692, 1-693, 1-694, 1-695, 1-696, 1-697, 1-698, 1-699, 1-700, 1-701, 1-702, 1-703, 1-704, 1-705, 1-706, 1-707, 1-708, 1-709, 1-710, 1-711, 1-712, 1-713, 1-714, 1-715, 1-716, 1-717, 1-718, 1-719, 1-720, 1-721, 1-722, 1-723, 1-724, 1-725, 1-726, 1-727, 1-728, 1-729, 1-730, 1-731, 1-732, 1-733, 1-734, 1-735, 1-736, 1-737, 1-738, 1-739, 1-740, 1-741, 1-742, 1-743, 1-744, 1-745, 1-746, 1-747, 1-748, 1-749, 1-750, 1-751, 1-752, 1-753, 1-754, 1-755, 1-756, 1-757, 1-758, 1-759, 1-760, 1-761, 1-762, 1-763, 1-764, 1-765, 1-766, 1-767, 1-768, 1-769, 1-770, 1-771, 1-772, 1-773, 1-774, 1-775, 1-776, 1-777, 1-778, 1-779, 1-780, 1-781, 1-782, 1-783, 1-784, 1-785, 1-786, 1-787, 1-788, 1-789, 1-790, 1-791, 1-792, 1-793, 1-794, 1-795, 1-796, 1-797, 1-798, 1-799, 1-800, 1-801, 1-802, 1-803, 1-804, 1-805, 1-806, 1-807, 1-808, 1-809, 1-810, 1-811, 1-812, 1-813, 1-814, 1-815, 1-816, 1-817, 1-818, 1-819, 1-820, 1-821, 1-822, 1-823, 1-824, 1-825, 1-826, 1-827, 1-828, 1-829, 1-830, 1-831, 1-832, 1-833, 1-834, 1-835, 1-836, 1-837, 1-838, 1-839, 1-840, 1-841, 1-842, 1-843, 1-844, 1-845, 1-846, 1-847, 1-848, 1-849, 1-850, 1-851, 1-852, 1-853, 1-854, 1-855, 1-856, 1-857, 1-858, 1-859, 1-860, 1-861, 1-862, 1-863, 1-864, 1-865, 1-866, 1-867, 1-868, 1-869, 1-870, 1-871, 1-872, 1-873, 1-874, 1-875, 1-876, 1-877, 1-878, 1-879, 1-880, 1-881, 1-882, 1-883, 1-884, 1-885, 1-886, 1-887, 1-888, 1-889, 1-890, 1-891, 1-892, 1-893, 1-894, 1-895, 1-896, 1-897, 1-898, 1-899, 1-900, 1-901, 1-902, 1-903, 1-904, 1-905, 1-906, 1-907, 1-908, 1-909, 1-910, 1-911, 1-912, 1-913, 1-914, 1-915, 1-916, 1-917, 1-918, 1-919, 1-920, 1-921, 1-922, 1-923, 1-924, 1-925, 1-926, 1-927, 1-928, 1-929, 1-930, 1-931, 1-932, 1-933, 1-934, 1-935, 1-936, 1-937, 1-938, 1-939, 1-940, 1-941, 1-942, 1-943, 1-944, 1-945, 1-946, 1-947, 1-948, 1-949, 1-950, 1-951, 1-952, 1-953, 1-954, 1-955, 1-956, 1-957, 1-958, 1-959, 1-960, 1-961, 1-962, 1-963, 1-964, 1-965, 1-966, 1-967, 1-968, 1-969, 1-970, 1-971, 1-972, 1-973, 1-974, 1-975, 1-976, 1-977, 1-978, 1-979, 1-980, 1-981, 1-982, 1-983, 1-984, 1-985, 1-986, 1-987, 1-988, 1-989, 1-990, 1-991, 1-992, 1-993, 1-994, 1-995, 1-996, 1-997, 1-998, 1-999, 1-1000, 1-1001, 1-1002, 1-1003, 1-1004, 1-1005, 1-1006, 1-1007, 1-1008, 1-1009, 1-1010, 1-1011, 1-1012, 1-1013, 1-1014, 1-1015, 1-1016, 1-1017, 1-1018, 1-1019, 1-1020, 1-1021, 1-1022, 1-1023, 1-1024, 1-1025, 1-1026, 1-1027, 1-1028, 1-1029, 1-1030, 1-1031, 1-1032, 1-1033, 1-1034, 1-1035, 1-1036, 1-1037, 1-1038, 1-1039, 1-1040, 1-1041, 1-1042, 1-1043, 1-1044, 1-1045, 1-1046, 1-1047, 1-1048, 1-1049, 1-1050, 1-1051, 1-1052, 1-1053, 1-1054, 1-1055, 1-1056, 1-1057, 1-1058, 1-1059, 1-1060, 1-1061, 1-1062, 1-1063, 1-1064, 1-1065, 1-1066, 1-1067, 1-1068, 1-1069, 1-1070, 1-1071, 1-1072, 1-1073, 1-1074, 1-1075, 1-1076, 1-1077, 1-1078, 1-1079, 1-1080, 1-1081, 1-1082, 1-1083, 1-1084, 1-1085, 1-1086, 1-1087, 1-1088, 1-1089, 1-1090, 1-1091, 1-1092, 1-1093, 1-1094, 1-1095, 1-1096, 1-1097, 1-1098, 1-1099, 1-1100, 1-1101, 1-1102, 1-1103, 1-1104, 1-1105, 1-1106, 1-1107, 1-1108, 1-1109, 1-1110, 1-1111, 1-1112, 1-1113, 1-1114, 1-1115, 1-1116, 1-1117, 1-1118, 1-1119, 1-1120, 1-1121, 1-1122, 1-1123, 1-1124, 1-1125, 1-1126, 1-1127, 1-1128, 1-1129, 1-1130, 1-1131, 1-1132, 1-1133, 1-1134, 1-1135, 1-1136, 1-1137, 1-1138, 1-1139, 1-1140, 1-1141, 1-1142, 1-1143, 1-1144, 1-1145, 1-1146, 1-1147, 1-1148, 1-1149, 1-1150, 1-1151, 1-1152, 1-1153, 1-1154, 1-1155, 1-1156, 1-1157, 1-1158, 1-1159, 1-1160, 1-1161, 1-1162, 1-1163, 1-1164, 1-1165, 1-1166, 1-1167, 1-1168, 1-1169, 1-1170, 1-1171, 1-1172, 1-1173, 1-1174, 1-1175, 1-1176, 1-1177, 1-1178, 1-1179, 1-1180, 1-1181, 1-1182, 1-1183, 1-1184, 1-1185, 1-1186, 1-1187, 1-1188, 1-1189, 1-1190, 1-1191, 1-1192, 1-1193, 1-1194, 1-1195, 1-1196, 1-1197, 1-1198, 1-1199, 1-1200, 1-1201, 1-1202, 1-1203, 1-1204, 1-1205, 1-1206, 1-1207, 1-1208, 1-1209, 1-1210, 1-1211, 1-1212, 1-1213, 1-1214, 1-1215, 1-1216, 1-1217, 1-1218, 1-1219, 1-1220, 1-1221, 1-1222, 1-1223, 1-1224, 1-1225, 1-1226, 1-1227, 1-1228, 1-1229, 1-1230, 1-1231, 1-1232, 1-1233, 1-1234, 1-1235, 1-1236, 1-1237, 1-1238, 1-1239, 1-1240, 1-1241, 1-1242, 1-1243, 1-1244, 1-1245, 1-1246, 1-1247, 1-1248, 1-1249, 1-1250, 1-1251, 1-1252, 1-1253, 1-1254, 1-1255, 1-1256, 1-1257, 1-1258, 1-1259, 1-1260, 1-1261, 1-1262, 1-1263, 1-1264, 1-1265, 1-1266, 1-1267, 1-1268, 1-1269, 1-1270, 1-1271, 1-1272, 1-1273, 1-1274, 1-1275, 1-1276, 1-1277, 1-1278, 1-1279, 1-1280, 1-1281, 1-1282, 1-1283, 1-1284, 1-1285, 1-1286, 1-1287, 1-1288, 1-1289, 1-1290, 1-1291, 1-1292, 1-1293, 1-1294, 1-1295, 1-1296, 1-1297, 1-1298, 1-1299, 1-1300, 1-1301, 1-1302, 1-1303, 1-1304, 1-1305, 1-1306, 1-1307, 1-1308, 1-1309, 1-1310, 1-1311, 1-1312, 1-1313, 1-1314, 1-1315, 1-1316, 1-1317, 1-1318, 1-1319, 1-1320, 1-1321, 1-1322, 1-1323, 1-1324, 1-1325, 1-1326, 1-1327, 1-1328, 1-1329, 1-1330, 1-1331, 1-1332, 1-1333, 1-1334, 1-1335, 1-1336, 1-1337, 1-1338, 1-1339, 1-1340, 1-1341, 1-1342, 1-1343, 1-1344, 1-1345, 1-1346, 1-1347, 1-1348, 1-1349, 1-1350, 1-1351, 1-1352, 1-1353, 1-1354, 1-1355, 1-1356, 1-1357, 1-1358, 1-1359, 1-1360, 1-1361, 1-1362, 1-1363, 1-1364, 1-1365, 1-1366, 1-1367, 1-1368, 1-1369, 1-1370, 1-1371, 1-1372, 1-1373, 1-1374, 1-1375, 1-1376, 1-1377, 1-1378, 1-1379, 1-1380, 1-1381, 1-1382, 1-1383, 1-1384, 1-1385, 1-1386, 1-1387, 1-1388, 1-1389, 1-1390, 1-1391, 1-1392, 1-1393, 1-1394, 1-1395, 1-1396, 1-1397, 1-1398, 1-1399, 1-1400, 1-1401, 1-1402, 1-1403, 1-1404, 1-1405, 1-1406, 1-1407, 1-1408, 1-1409, 1-1410, 1-1411, 1-1412, 1-1413, 1-1414, 1-1415, 1-1416, 1-1417, 1-1418, 1-1419, 1-1420, 1-1421, 1-1422, 1-1423, 1-1424, 1-1425, 1-1426, 1-1427, 1-1428, 1-1429, 1-1430, 1-1431, 1-1432, 1-1433, 1-1434, 1-1435, 1-1436, 1-1437, 1-1438, 1-1439, 1-1440, 1-1441, 1-1442, 1-1443, 1-1444, 1-1445, 1-1446, 1-1447, 1-1448, 1-1449, 1-1450, 1-1451, 1-1452, 1-1453, 1-1454, 1-1455, 1-1456, 1-1457, 1-1458, 1-1459, 1-1460, 1-1461, 1-1462, 1-1463, 1-1464, 1-1465, 1-1466, 1-1467, 1-1468, 1-1469, 1-1470, 1-1471, 1-1472, 1-1473, 1-1474, 1-1475, 1-1476, 1-1477, 1-1478, 1-1479, 1-1480, 1-1481, 1-1482, 1-1483, 1-1484, 1-1485, 1-1486, 1-1487, 1-1488, 1-1489, 1-1490, 1-1491, 1-1492, 1-1493, 1-1494, 1-1495, 1-1496, 1-1497, 1-1498, 1-1499, 1-1500, 1-1501, 1-1502, 1-1503, 1-1504, 1-1505, 1-1506, 1-1507, 1-1508, 1-1509, 1-1510, 1-1511, 1-1512, 1-1513, 1-1514, 1-1515, 1-1516, 1-1517, 1-1518, 1-1519, 1-1520, 1-1521, 1-1522, 1-1523, 1-1524, 1-1525, 1-1526, 1-1527, 1-1528, 1-1529, 1-1530, 1-1531, 1-1532, 1-1533, 1-1534, 1-1535, 1-1536, 1-1537, 1-1538, 1-1539, 1-1540, 1-1541, 1-1542, 1-1543, 1-1544, 1-1545, 1-1546, 1-1547, 1-1548, 1-1



REV	DATE	DESCRIPTION	BY	CHK
A	10/28/15	REVISED STEP 8 TO READ "108.75" INSTEAD OF "108.125", DIM IN ZONE B3 WAS 108.125, NOW 108.75.	JON DODS/31(A2)	HRE/24
B	10/28/15	REVISED TITLE.	DON DOIS/16(E)	RE/AM/8

QTY	REV	U OF U	DESCRIPTION
			MK 3183R
			MK 3183R
			KR 3183R
			K/E 3183R
			S/L 3183R

UNLESS OTHERWISE SPECIFIED	MATERIAL
1	INSURANCES
2	PLATE MATERIALS # 100
3	PLATE MATERIALS # 100
4	PLATE # 100
5	PLATE # 100
6	PLATE # 100
7	PLATE # 100
8	PLATE # 100
9	PLATE # 100
10	PLATE # 100
11	PLATE # 100
12	PLATE # 100
13	PLATE # 100
14	PLATE # 100
15	PLATE # 100
16	PLATE # 100
17	PLATE # 100
18	PLATE # 100
19	PLATE # 100
20	PLATE # 100
21	PLATE # 100
22	PLATE # 100
23	PLATE # 100
24	PLATE # 100
25	PLATE # 100
26	PLATE # 100
27	PLATE # 100
28	PLATE # 100
29	PLATE # 100
30	PLATE # 100
31	PLATE # 100
32	PLATE # 100
33	PLATE # 100
34	PLATE # 100
35	PLATE # 100
36	PLATE # 100
37	PLATE # 100
38	PLATE # 100
39	PLATE # 100
40	PLATE # 100
41	PLATE # 100
42	PLATE # 100
43	PLATE # 100
44	PLATE # 100
45	PLATE # 100
46	PLATE # 100
47	PLATE # 100
48	PLATE # 100
49	PLATE # 100
50	PLATE # 100

QTY	REV	U OF U	DESCRIPTION
			MK 3183R
			MK 3183R
			KR 3183R
			K/E 3183R
			S/L 3183R

MFG	INSPECTION	TEST
AUSA SPECIFICATIONS		

Operation

Overview

After you have completed the assembly of your antenna, you are now ready to become operational. In order to operate the earth station antenna, you will need to direct it to the desired satellite adjusting both the elevation and azimuth angles appropriately. The following procedures provide details on how to correctly position your antenna on the desired satellite.

Acquiring A Satellite

There are several procedures that may be used to properly acquire the satellite. Andrew recommends that a spectrum analyzer be used. The following procedures provide explanation as to how to use the spectrum analyzer.

While viewing the spectrum analyzer screen, a pure noise signal as shown in Figure 4-1 will probably be observed. Additionally, some transponder signals may be observed above the noise signal as shown in Figure 4-2.

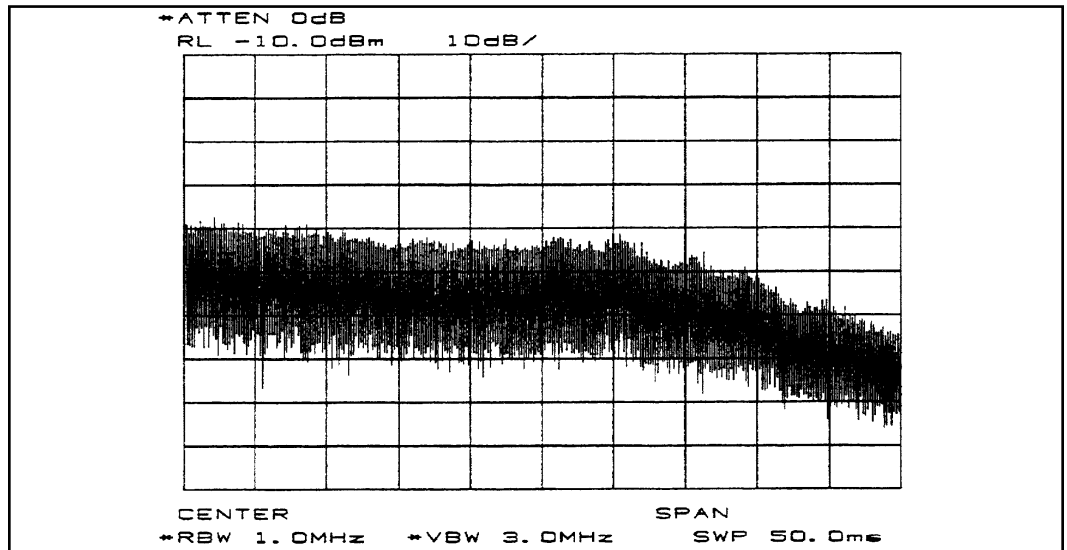


Figure 4-1: Pure Noise Signal on Spectrum Analyzer

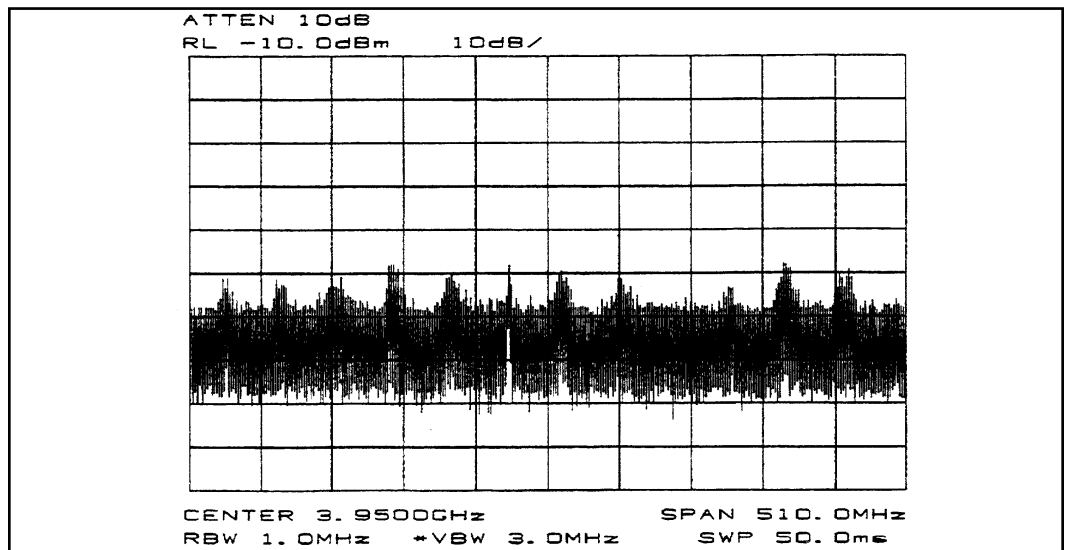


Figure 4-2: Minimum transponder Signal on Spectrum Analyzer

The following steps provide the procedure for acquiring a satellite.

Step 1

Manually move the antenna in the azimuth (scanning back-and-forth) to achieve the maximum (greatest amplitude) transponder signals.

- Scan in one direction until the amplitude continues to diminish and then scan in the opposite direction until the same condition occurs.
- Return to the position yielding the greatest amplitude.

The maximum azimuth excursion from the original setting should not exceed plus or minus 1.5 degrees or the antenna may begin to access a different satellite.

Step 2

With the antenna positioned in azimuth such that the transponder signals are maximized, follow the same procedure manually moving the antenna in elevation (scanning up-and-down) to further maximize the transponder signals.

Step 3

Repeat this procedure alternating between the azimuth and elevation excursions of the antenna to peak the transponder signal amplitude.

A transponder signal amplitude of 30 dB or greater from peak to average noise signal indicates the antenna is receiving the signal on the main beam. A transponder signal amplitude less than 30 dB or greater indicates the antenna is receiving the signal on a side lobe of the main beam.

Step 4

With the antenna peaked on a side lobe in azimuth and/or elevation, move the antenna in azimuth while observing the spectrum analyzer screen as shown in Figure 4-3.

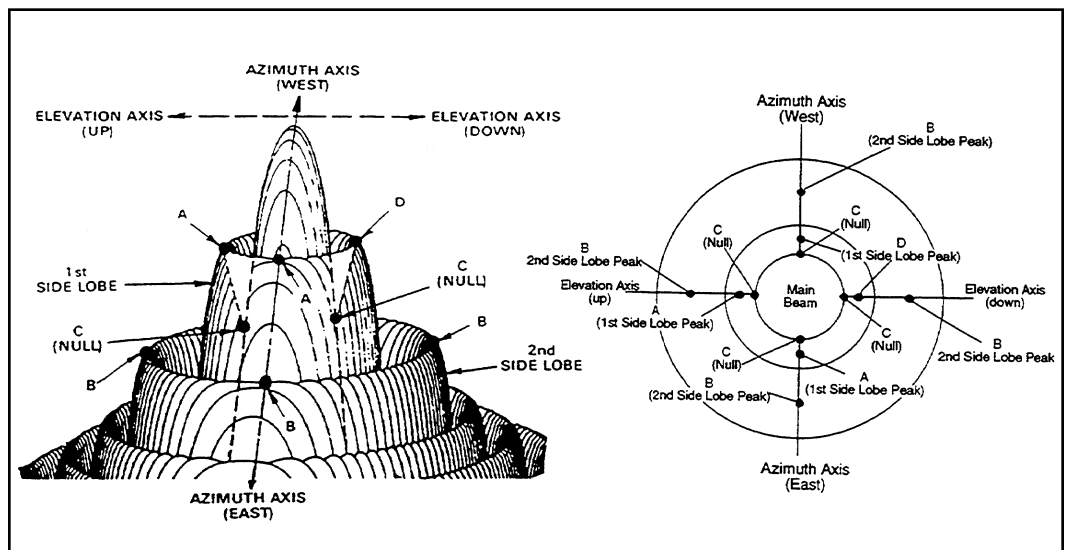


Figure 4-3: Antenna Radiation Pattern Topographical Diagram with Plan View

Step 5

If the signal amplitude diminishes and does not increase (position B) to the level noted when the antenna was peaked on the side lobe, the antenna is moving away from the main beam; reverse the direction of the antenna movement.

From the original side lobe position (position A), the signal amplitude should now diminish to a null point at position C (minimum amplitude showing only signal noise) and then symmetrically increase again to the same level at position D as noted at position A. At the null point (position C), the antenna is aligned with the alternate (elevation) axis. If the antenna was peaked on a side lobe in azimuth, it was appropriately aligned with the elevation axis; proceed with step 6. If the antenna was peaked on a side lobe in elevation, it was appropriately aligned with the azimuth axis; proceed with step 6 moving the antenna in azimuth rather than elevation.

Step 6

Move the antenna in elevation while observing the spectrum analyzer screen. If the signal amplitude increases, decreases and then increases again but to a lesser value, the antenna is moving in the wrong direction; reverse the direction of the antenna movement. From the original null point, the signal level should increase and decrease alternately, but with increasing amplitude until the transponder signal increases to a level of at least 30 dB at which time the main beam. Continue to manually peak the signal to a maximum level using the azimuth and elevation adjustments.

Step 7

If the antenna is aligned in azimuth and elevation (signal maximized) and 24 transponder signals (12 horizontal and 12 vertical) are noted, the polarization adjustment is set incorrectly and must be modified. If 12 transponder signals are noted, they may or may not be the properly polarized signals. Therefore 24 transponder signals must be visually noted in order to determine the proper polarization setting.

Step 8

Rotate the feed assembly clockwise until 24 transponder signals are noted and of approximately equal amplitude.

NOTE: It is more accurate and visually easier to minimize the alternate set of transponder signals rather than maximizing the transponder of interest.

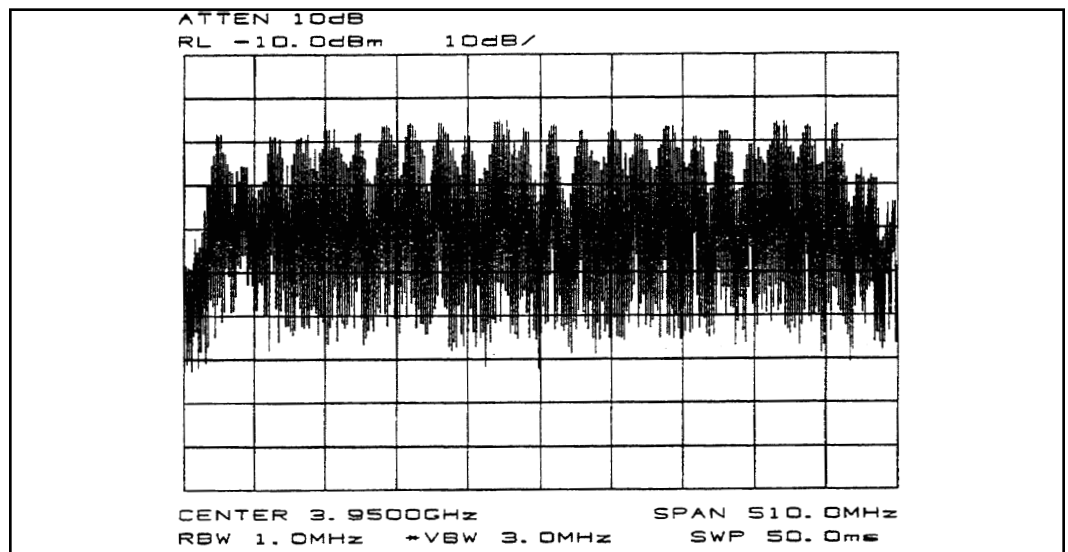


Figure 4-4: Polarization at 45 degrees from Optimum Setting

Step 9

With all 24 transponder signals of approximately equal amplitude appearing on the spectrum analyzer screen determine the specific antenna system and satellite parameters. Rotate the feed assembly as required until the appropriate (odd or even) transponder signals are maximized.

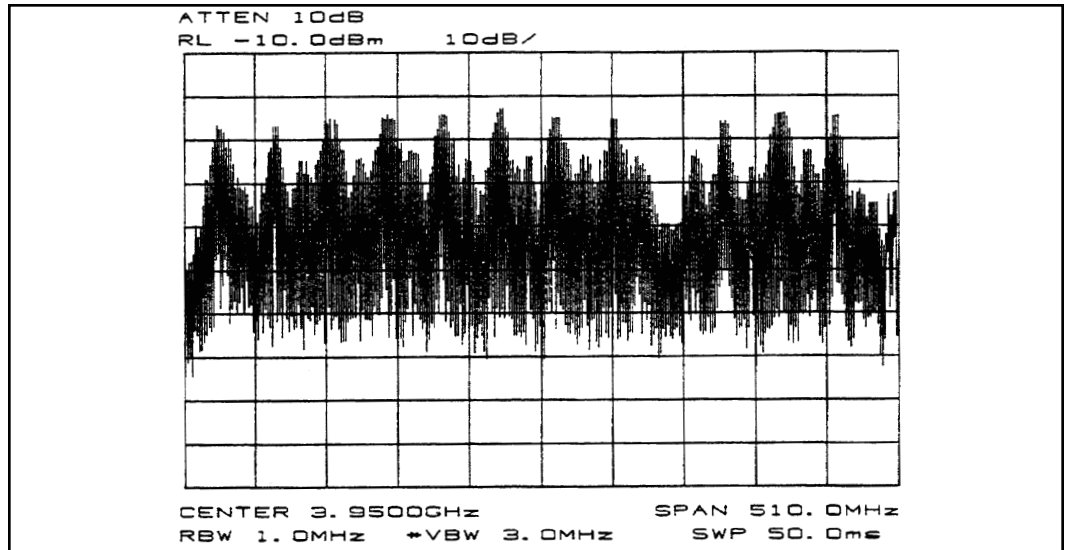


Figure 4-5: Maximizing Odd Transponders

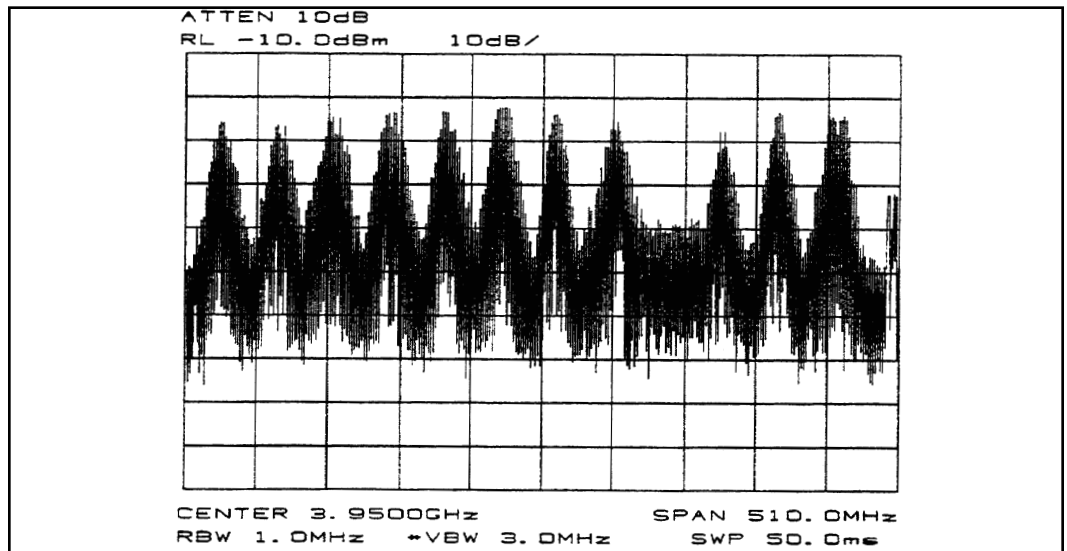


Figure 4-6: Optimum Polarization Setting

Subreflector Adjustment

After the satellite has been acquired and testing has taken place with the spectrum analyzer, the subreflector may need to be adjusted to maximize optimum performance of your antenna. The following procedures should be followed if a subreflector adjustment is required to maximize optimum performance.

NOTE: All INTELSAT Type Approved antennas do not require subreflector adjustment.

Before proceeding, azimuth and elevation patterns should be conducted to determine the adjustments that need to be made. The goal is to achieve a high peak on the main lobe and even distances between the main lobe and sidelobes as shown in Figure 4-6.

NOTE: No adjustments should be made in the receive band.

If your pattern dictates a need to adjust the azimuth angle (the left sidelobe requires adjustment), the west side of the subreflector should be adjusted outward by loosening the screws on the subreflector and adjusting the left side outward. An easy way to remember this adjustment feature is through the acronym WOLD (West Out Left Down).

If your pattern dictates a need to adjust the elevation angle (the right sidelobe requires adjustment), the bottom side of the subreflector should be adjusted downward by loosening the screws between the subreflector and the struts and adjusting the bottom side of the subreflector downward. An easy way to remember this adjustment is through the acronym BOLD (Bold Out Left Down).

Each of these adjustments should be repeated until each sidelobe is of equal distance from the peak of the mainlobe.

After the BOLD and WOLD adjustments have been made, it may be necessary to adjust the main lobe. The goal is to achieve a high null depth (distance between lower intersection of sidelobes and top of main lobe) as shown in Figure 4-6.

In order to adjust the main lobe pattern characteristics **ALL** subreflector adjustment screws should be adjusted at the same degree (Note: Because the azimuth and elevation adjustments have been set, it is very important that the null depth adjustment be carefully conducted. Be careful not to alter any previous adjustments that have been made to the subreflector. Follow the procedure listed below when adjusting the null depth of the main lobe.

C-band feeds - Adjustment screws are 3/4 X 10. Move 1 turn per 1dB of imbalance.

Ku-band feeds - Adjustment screws are 1/4 X 20. Move 1 turn per 1 dB of imbalance.

All adjustments should be continued until the desired pattern is achieved. Upon completion the antenna should be properly aligned with the satellite for maximum performance.

Preventive Maintenance

Overview

This section contains periodic preventive maintenance instructions for the 5.6-Meter Earth Station Antenna. Included in this section are inspection and preventive maintenance procedures including cleaning and lubrication, painting, and an operational voltage/current checkout procedure deemed within the capabilities of the average station technician. Refer to applicable vendor manuals for any repair procedures not included in this section yet designated as capable of being performed in the “field” rather than requiring specialized facilities, tools, and/or test equipment as well as technically trained personnel.

An operational checkout procedure provides an accurate indication of the overall earth station performance and should be performed at intervals of approximately three months. This procedure is essentially performed during the various modes of normal operation of the earth station. In addition, the operational checkout procedure should be performed after any repairs or adjustments have been made, or whenever the earth station is suspected of degraded operation. If any discrepancy in performance exists and the condition cannot be readily remedied to return the earth station to a proper operating condition, the appropriate troubleshooting procedures should be referenced to locate the fault. After the trouble is determined and the repairs affected, a final operational checkout procedure should be performed to verify that all discrepancies have been corrected.

The following paragraphs describe the inspection and preventive maintenance procedures for the earth station. These instructions include general cleaning and inspection, the preservation of metal parts and lubrication. Periodic replacement of assemblies or components as a preventive measure is not required. Malfunctions of the earth station can be traced to components, assemblies, and parts through the use of applicable troubleshooting procedures.

General Cleaning

To prevent the excessive accumulation of dust and dirt as well as the removal of such contaminants, thoroughly clean the equipment whenever visually inspecting the earth station components. No special cleaning procedures are required. However, a thorough cleaning in accordance with the following procedures is required to assure continued trouble-free operation.

Electrical Parts

Minor cleaning, such as the removal of dust and loose foreign particles can be accomplished by one of the following:

- Vacuuming
- Using a soft brush or lint-free cloth
- Blowing out the dust and dirt with low pressure (5 to 25 psi), dry compressed air

When using air to blow off the contaminants, either avoid or be careful when directing the air stream on delicate parts. To remove imbedded dirt, grease, or oil from electrical parts; use a 50 percent solution of isopropyl (rubbing) alcohol and apply with a soft bristle brush. It may be necessary to brush some parts vigorously with a stiff bristle brush to remove imbedded and hardened dirt particles. If possible, avoid excessive use of cleaning solvent on electrical insulation. After cleaning, allow the cleaned parts to dry for 10 to 15 minutes before placing the equipment into operation.

Clean mechanical parts by first removing dust, dirt, and other loose contaminants with a

Mechanical Parts

scraper, stiff brush (bristle or wire in the case of rust or other corrosion), or cloth or compressed air at 25 to 40 psi. Any accumulated imbedded dirt, corrosion, grease, or oil deposits that require further cleaning may be removed with a bristle or wire brush and a cleaning solvent such as trichlorethylene or equal. After cleaning, allow cleaned parts to dry for 10 to 15 minutes before placing the equipment into operation.

Inspection

The frequency of inspection is contingent upon the user's individual standards and the operational environment in which the earth station is located. However, a visual inspection of the earth station components should be performed at least semi-annually. Where there are no established wear limits, perform a visual inspection to locate worn or damaged parts which could cause improper functioning of the earth station. It is recommended that the mechanical and electrical inspection be performed on the assembled or partially disassembled equipment to determine the extent of disassembly required prior to completely disassembling a suspected malfunctioning component or module. In the absence of any special inspection requirements, operational tests are the most effective means in isolating parts and assemblies requiring further inspection. Any condition noted during inspection that may preclude continued proper operation of the earth station prior to the next scheduled inspection should be noted. The discrepant condition should be corrected (repaired or replaced) immediately or at the conclusion of the inspection procedure.

Local Control/Motor Drive Controller

Inspection of the local control/motor drive controller conforms generally to standard visual inspection procedures on electromechanical equipment. In addition to these standard procedures, perform the following checks and visual inspections for the specific conditions noted:

- Check the front panel for illegible and indistinct panel markings.
- Check the three position selector switches (Azimuth Off/Slow/Fast, Elevation-Off/Slow/Fast, and Polarization-CCW/Off/CW) for smooth operation, audible clicking at each actuation (left to center and return) and spring return from right to center. For each of the two position selector switches (Azimuth-East/West, Elevation-Up/Down, and Local/Remote) check for smooth operation and audible clicking at each actuation.
- Inspect all wiring and cables for discolorization and burned insulation, dirt, breaks, security of connection and other signs of deterioration. Examine connections for dirt, flux, corrosion, and mechanical defects. Check for loose or broken lacing and cut, brittle, abraided, frayed, or cracked insulation.
- Examine connectors for corrosion, broken inserts and stripped threads. Check connector shells for distortion and dents, and contact pins for bends, misalignment, or other deformities. Check connector inserts for carbon tracking indicating arc-over.
- Check all electrical components for dirt, cracks, chips, breaks, discoloration and other signs of deterioration and damage. A discolored, blistered, or burnt condition is evidence of overload. Measure actual value of suspect electrical components and compare against specified value.
- Check transformer for an excessive wax deposit on the surface, discoloration, or a

pungent odor indicative of burning vanish denoting overheating or a total breakdown.

- Check all terminal boards for broken or missing terminals and stripped threads. Check tightness of lead attaching hardware.
- Check each starter for a make-after-break provision through the release of one pushbutton as the alternate pushbutton is pressed.
- Check the relays and contactors for free operation of the armatures and contact condition. The contacts are usable even though pitted, burned, worn, or discolored. The contacts or contactor or relay assembly should be replaced only when the contact material has been completely torn away or worn off.
- Visually inspect all mechanical parts for freedom of operation without binding or interference. Check for security of all hardware and stripped or otherwise damaged threads. Check metallic parts for corrosion, dents, distortion, and other deformation.
- Check for evidence of water inside the enclosure. If any water is in evidence, check that all seals are intact and if not, use a coating of RTV-108 (silicone rubber sealant) to seal any exposed electrical fitting, bolt hole, or other possible water entry to the enclosed electrical components in order to maintain a waterproof condition.
- Check or change humidity absorber.

Antenna

Inspection of the antenna conforms generally to standard visual inspection procedures performed on electromechanical equipment. In addition to these procedures, perform the following checks and visual inspections for the specific conditions noted:

- Inspect all wiring and cables particularly the network to enclosure and enclosure to mount interfaces for discoloration and burned insulation, moisture entry, corrosion, dirt, breaks, security of connection, and other signs of deterioration. Examine connections for dirt, corrosion, and mechanical defects. Check for loose or broken lacing and cut, abraided, frayed, brittle, and cracked insulation.
- Examine connectors for corrosion, broken inserts and stripped threads. Check connector shells for distortion and dents, and contact pins for bends, misalignment or other deformities. Check connector inserts for cracks, and carbon tracking, burns or charring indicating arc-over.
- Check all electrical component for dirt, cracks, chips, breaks, discoloration, and other signs of deterioration and damage. A discolored, blistered, or burnt condition is evidence of overload.
- Operate the azimuth and elevation drives as well as the feed rotation in both the plus

and minus direction from the local control/motor drive controller at least once every three months during antenna down time. Check the mechanical limit switches provided at the end points stop antenna and feed movement, and limit travel to prevent structural interference and damage. Check the mechanical limit switches for corrosion and water entry and the arm on each feed limit switch for free movement without binding. Be certain both feed rotation limit switch arms are not distorted and ride centrally on the actuating cam to open their corresponding limit switch.

- Inspect the azimuth and elevation jackscrew boots for security of attachment at both ends, for abrasion, tears, cuts, brittleness and other damage that may expose the jackscrew to the environment (water, dust, etc.). Minor repairs can be made with RTV-108 silicone rubber sealant.
- Visually inspect the feed window for dirt and the feed, feed supports, feed window, and reflector for distortion, foreign object damage and environmental deterioration due to ice and snow, dust, rain, hail, and high winds, etc. which may cause electrical component and/or structural deformation.
- Check the cable attachment to the resolvers and to the LNA or LNB's and enclosure mount interface for security, the cable routing for secure hanger attachment and the cable insulation for cuts, cracking, abrasion, and other deterioration. Check the LNA or LNB's and the resolvers for a secure mechanical attachment. Ensure proper torquing of polarization drive gear box setscrews and appropriate tensioning of corresponding drive chain assembly, if applicable.
- Check (if applicable) that the drain holes in the bottom of the enclosure are not obstructed and there is no evidence of water accumulation. Check the enclosure doors for proper closure and that the door seals are intact, not torn, abraded or otherwise damaged. Check that all other seals are intact and if not, use a coating of RTV-108 (silicone rubber sealant) to seal any exposed electrical fitting, bolt hold, or other possible water entry to electrical components in order to maintain a weatherproof condition. If the enclosure is provided with a vent fan, check for free operation of the fan blade. The fan bearings are permanently lubricated; any binding, abnormal noise or vibration necessitates replacement of the fan assembly. Check and replace the fan filter element if it appears dirty or obstructed with dust.
- Check for the appearance of surface lubricants that will cause the accumulation of dirt and grime. Clean off all excess surface lubricants with a cloth and if required, a cloth dampened not wetted with trichlorethylene, or equal.
- Visually inspect all mechanical parts for freedom of operation with no misalignment, binding or interference. Check all cabling for sufficient slack to prevent cable strain as well as adequate restraint to prevent abrasion or chaffing during antenna and feed movement.
- Check security of antenna mounting and interconnecting assembly hardware. Be cer-

Drive System Voltage and Current Checks

tain all electrical grounding connections (including cross-axis grounding straps) are intact and secure, not corroded or broken. Thoroughly clean any noticeable corroded portions of grounding cables, unplated portion of universal terminals and corresponding mounting surfaces using a wire brush. Replace rather than tighten any loose A-325 structural hardware. The hardware distorts at initial installation and once loosened will not maintain the required high strength friction connection. All other assembly and installation hardware should be tightened to its original torqued condition. When installing new structural hardware, do not use a wrench with a lever arm longer than two feet.

- Examine painted aluminum and galvanized surfaces and tough-up where required.

At the conclusion of the installation procedure prior to turning the system over to the station facility, an installation acceptance check off sheet was prepared and duly signed off if installed by Andrew crew. Part of this check off included voltage readings retaken to determine if proper voltage was available. Current readings were also taken as a reference for future comparison to serve as a troubleshooting aid in determining possible equipment degradation and shortened life. Any current reading taken during the following procedure that varies by more than five percent from the pre-established reference values necessitates troubleshooting the particular system involved to determine the cause and required corrective action.

Step 1

Approximately every three months and during a period of down time, disconnect as applicable the RF transmitter and all power supplies. The main disconnect switch in the main load center box at the antenna site must be in the ON position and the LOCAL/REMOTE switch in the local control motor drive controller must be in the LOCAL position.

Step 2

Open the outer local control/motor drive controller door at the antenna site to gain access to the conductors supplying power to the azimuth, elevation, and polarization drive motors.

NOTE: During the following procedures, the antenna drives (azimuth, elevation, and polarization) will be powered to rotate the antenna and feed in both directions of travel. Check that this condition can be tolerated from a safety as well as an operational standpoint, and that the electrical limits are not reached before the testing is concluded. Reaching an electrical limit before concluding a test necessitates rotating the antenna or feed in the opposite direction a sufficient distance to permit retesting in the desired direction.

Step 3

Turn the FEED CCW/OFF/CW switch to either the CW or CCW position and while the feed is rotating, carefully use a clamp on ammeter in accordance with the ammeter manufacturer's instructions to take current readings off each of the three conductors (phases) connected to the load side of the polarization motor circuit breaker. Record the current draw in the equipment log and compare the readings to the reference values entered in the installation/acceptance check off. If the readings differ by more than five percent, refer to appropriate troubleshooting information and perform applicable corrective action. Then take voltage readings off each of the three conductors; the readings should agree with each other within two percent. Turn the FEED CCW/OFF/CW switch to OFF. Repeat preceding step (3) with the FEED CCW/OFF/CW switch in the alternate operating position.

Step 4

Turn the AZIMUTH EAST/WEST switch to either position and while the antenna is rotating, carefully use a clamp on ammeter in accordance with the ammeter manufacturer's instructions to take current readings off each of the three conductors (phases) connected to the load side of the azimuth drive motor circuit breaker. Record the current draw in the equipment log and compare the readings to the reference values entered in the installation/acceptance check off. If the readings differ by more than five percent, refer to appropriate troubleshooting information and perform applicable corrective action. Then take voltage readings off each of the three conductors; the readings should agree with each other—within two percent. Turn the AZIMUTH switch to OFF.

Step 5

Repeat steps (5) with the AZIMUTH EAST/WEST switch in the alternate operating position.

Step 6

Turn the ELEVATION DOWN/UP switch to either position and while the antenna is rotating, carefully use a clamp on ammeter in accordance with the ammeter manufacturer's instructions to take current readings off each of the three conductors (phases) connected to the load side of the elevation drive motor circuit breaker. Record the current draw in the equipment log and compare the readings to the reference values entered in the installation/acceptance check off. If the readings differ by more than five percent, refer to appropriate troubleshooting information and perform applicable corrective action. Then take voltage readings off each of the three conductors; the readings should agree with each other within two percent. Turn the ELEVATION switch to OFF.

Step 7

Repeat steps (7) with the ELEVATION DOWN/UP switch in the alternate operating position.

Step 8

If all voltage and current readings are within tolerance, close the local control/motor drive controller inner door and place the LOCAL/REMOTE switch in the REMOTE position to return antenna control to the studio. Then close and lock the outer local control/motor drive controller door.

Step 9

When preserving the component parts, refer to the following paragraphs in this section.

Preservation of Component Parts

Aluminum Parts

Remove all loose paint and corrosion by scraping, wire brushing, or using steel wool. If using steel wool near the feed window, make sure that none remains on the feed horn window. Edges of existing paint can be blended with the metal surface by using a fine grit sandpaper. Wipe the surface to be painted with a soft rag dampened in trichlorethylene, lacquer thinner or equal. Be certain to remove all loose paint, corrosion, imbedded dirt, grease, and oil deposits or the paint will not adhere to the surface. Lacquer thinner will dissolve paint if applied heavily and rubbed vigorously. The reflector may be washed with plain water if necessary. Do not use bleach, soap solutions, or kerosene as it is difficult to remove the residue. Allow the cleaned surface to dry thoroughly before priming.

Prime the cleaned surface by applying zinc chromate primer. The primer can be applied with a brush, roller, or pressurized spray. If necessary, thin the primer with lacquer thinner to the proper consistency. Feather primer onto adjacent painted surfaces;. Allow primer to thoroughly dry before applying the finish paint coat.

Paint all RF surfaces, such as the inside of the main reflector and subreflector with a high-reflectance white paint. This type of paint disperses light rays, reducing the focusing effect of the sun's radiation, thereby reducing heat build-up caused by the focused sun's rays on the feed system. Rear surfaces of the reflector and subreflector may be painted with a flat white enamel paint. The paint can be applied with a brush, roller, or pressurized spray. If necessary, thin the paint with the appropriate thinner to the proper consistency. Thoroughly paint over the primed surfaces and blend with the existing painted surface.

Galvanized Surfaces

Remove all loose paint and corrosion by scraping, wire brushing, or using steel wool. Edges of existing paint can be blended with the metal surface by using a fine grit sandpaper. Wipe the surface to be painted with a soft rag dampened in trichlorethylene, lacquer thinner, or equal. Be certain to remove all loose paint, corrosion, imbedded dirt, grease, and oil deposits or the paint will not adhere to the surface. Lacquer thinner will dissolve paint if applied heavily and rubbed vigorously. Do not use bleach, soap solutions, or kerosene as it is difficult to remove the residue. Allow the clean surface to dry thoroughly before painting.

Paint the cleaned surface with a zing-rich paint. The paint can be applied with a brush, roller, or pressurized spray. If necessary, thin the paint with the appropriate thinner to the proper consistency. Thoroughly paint over the cleaned surface and blend with the existing painted surface.

Lubrication

For long life and trouble-free operation be certain not to extend the lubrication schedule beyond the frequency recommended in the Lubrication Chart. The frequency should be shortened if the antenna is subjected to an adverse environment (e.g., high temperature, extended periods of rainfall, high humidity, dust storms, etc). Any component or part should be immediately be lubricated if during inspection or operation, rough, jarring, or intermittent motion is noted, or if squeaky or other unusual noises are heard. Lubrication is required on all metal-to-metal rolling or sliding parts. Use the lubricants recommended. Do not over lubricate. Over lubrication can often be as damaging as under lubrication. Prior to the application of lubricant to any parts, use a clean cloth and/or bristle brush and remove any old lubricant to prevent an excessive build-up. Remove indicated access plugs from square tube weldment and apply lubricant to panning frame

tube assembly and corresponding thrust pads. Securely replace access plugs in square tube weldment. Be certain to remove any protective caps and clean off each lubrication fitting prior to injecting fresh grease. The elevation and azimuth jackscrew assemblies are equipped with a grease fitting and corresponding pipe plug on opposite sides of the jack housing. Remove the appropriate pipe plug and fill with grease until lubricant seeps from the pipe plug opening. Replace and securely tighten pipe plug.

The following is a list of the lubricant characteristics:

- Mobil Temp SHC32 A non-soap hydrocarbon fluid type grease. Operating temperature range is -65 degrees to 350+ degrees Fahrenheit (-54 degrees to 177+ degrees Celsius).
- Mobil SHC624 A low temperature synthetic oil for worm gear reducers. Operating temperature range is -40 degrees to 125+ degrees Fahrenheit (-40 degrees to 52+ degrees Celsius).
- Moly Grease A grease lubricant containing molybdenum disulfide. Operating temperature range is -85 degrees to 300+ degrees Fahrenheit (-29 degrees to 149+ degrees Celsius).

Periodically inspect lifting screws on jackscrew assemblies to ensure adequate lubrication. Loosen Jackscrew boot clamps to expose the lifting screw assembly. Fully extend jackscrew assembly being careful not to exceed preset mechanical limits. Brush thin coating of Mobil SHC32 grease on exposed lifting screw. Replace boot and attach corresponding boot clamps. If lifting screw is rusty, remove existing lubricant with solvent and wire brush rusted area. Rinse with solvent and apply fresh grease.

Periodically inspect and remove dust or dirt deposits from the motor housings to avoid hindering the heat exchange with the ambient air. Slight dirt accumulation on the air vent screw through splash oil cannot be avoided; however, keep vent screw clean to ensure proper pressure compensation.

Lube points 2, 3, 7 and 8, shown in the Lubrication Chart, require removal of the indicated drain plugs and collecting/measuring the amount of SHC624 drain oil using measuring cup. The specified amount of oil must be added to the gear motor/housing (after installing the drain plug) via the fill/vent plug opening using supplied funnel. Addition of the oil requires use of an appropriate filling utensil. Use of a modified level stick will not correctly gauge the appropriate amount of oil in the gear housings.

Jackscrews/Motors

Gear Motor/Housing Fill Drain Requirements

Lubrication Chart

Lube Point No.	Components to be Lubricated	Frequency (Months)				Type of Service	Type of Lube	No. of Lube Points or Quantity
		1	3	6	12			
1.	Elevation Jackscrew Housing		X			Pressure Fitting	SHC32	1
2. ¹	Elevation Jackscrew Gear Housing Fill and Drain			I*	C**	Pipe Plugs	SHC624	10 Oz
3. ²	Elevation Drive Intermediate Gearbox Fill and Drain	I*	C**			Pipe Plugs	SHC624	34 Oz.
4.	Elevation Jackscrew Pivot Pin, upper		X			Pressure Fitting	SHC32	1
5.	Azimuth Jackscrew Pivot Pin, front		X			Pressure Fitting	SHC32	1
6.	Azimuth Jackscrew Housing		X			Pressure Fitting	SHC32	2
7. ¹	Azimuth Jackscrew Gear Housing Fill and Drain	I*	C**			Pipe Plugs	SHC624	4 Oz.
8. ²	Azimuth Drive Intermediate Gearbox Fill and Drain			I*	C**	Pipe Plugs	SHC624	34 Oz.
9.	Polarization Drive Gear			X		Brush	SHC32	Minimum Surface Coverage
10.	Feed Rotation Worm Gear Pillow Blocks			X		Pressure Fitting	SHC32	2

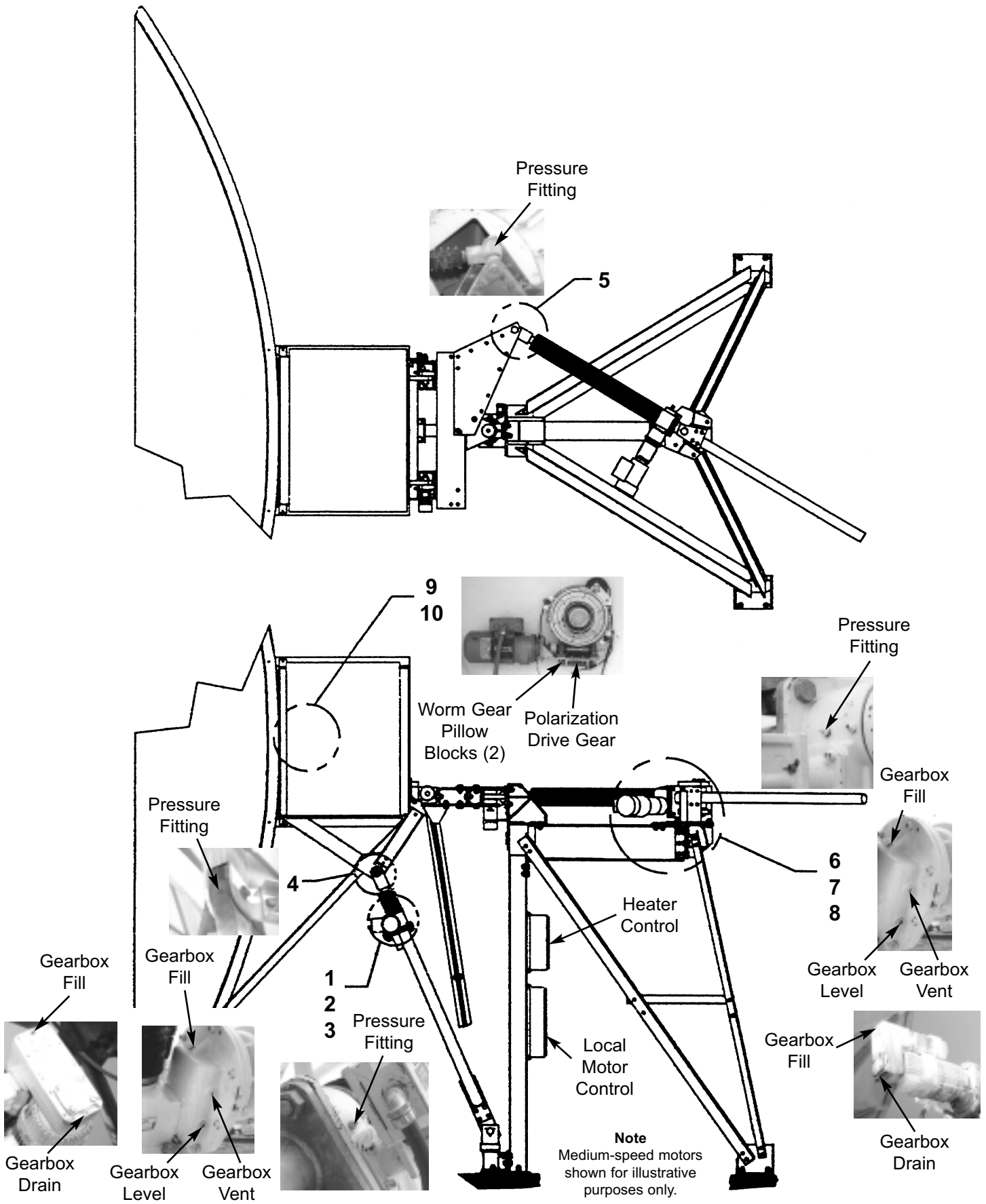
X = Lubricate I = Inspect C = Change

* Inspection requires checking for visible signs of oil leakage, draining replacing and adding oil to ensure appropriate oil level requirements. Excessively dirty oil will require fresh oil replacement. If oil leakage is found to be excessive, refer to appropriate troubleshooting information and perform applicable corrective action. Periodic inspection procedures can be less frequent after first or second scheduled inspections.

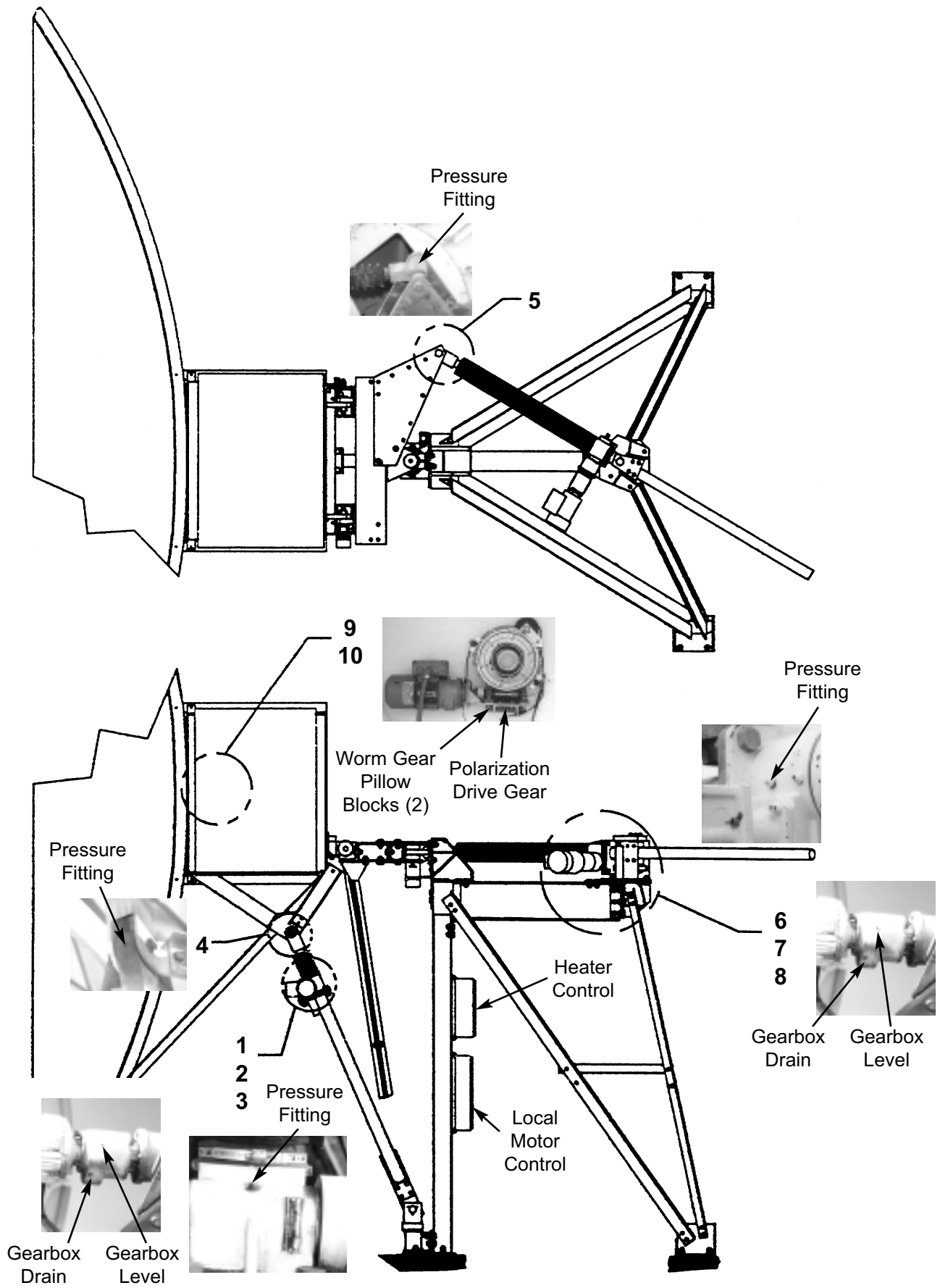
** Initial oil change requirements include flushing gear boxes with a standard cleaning agent.

1 Type 'HS' and 'STHS' drives only. 10 oz. required for gearbox on Type 'MS' drives.

2 Type 'HS' and 'STHS' drives only.



High-Speed Antenna Lubrication Points



Medium-Speed Antenna Lubrication Points

Free Manuals Download Website

<http://myh66.com>

<http://usermanuals.us>

<http://www.somanuals.com>

<http://www.4manuals.cc>

<http://www.manual-lib.com>

<http://www.404manual.com>

<http://www.luxmanual.com>

<http://aubethermostatmanual.com>

Golf course search by state

<http://golfingnear.com>

Email search by domain

<http://emailbydomain.com>

Auto manuals search

<http://auto.somanuals.com>

TV manuals search

<http://tv.somanuals.com>