

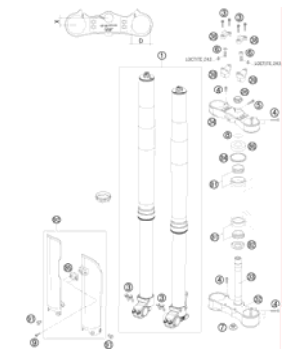
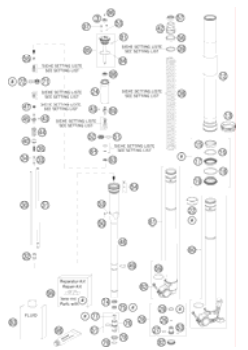
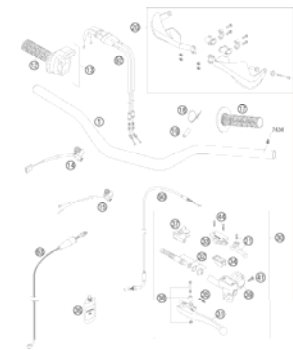

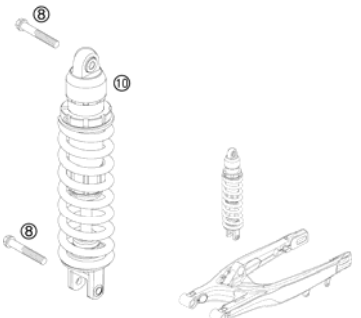
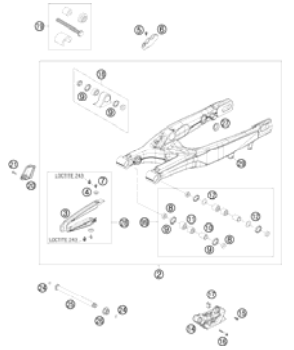
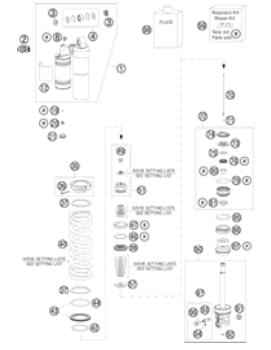
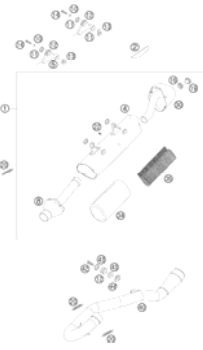
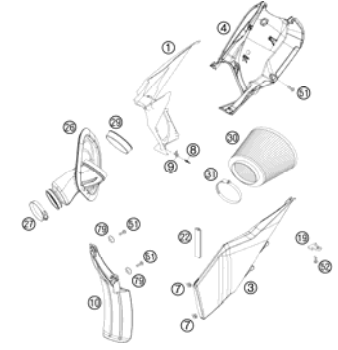
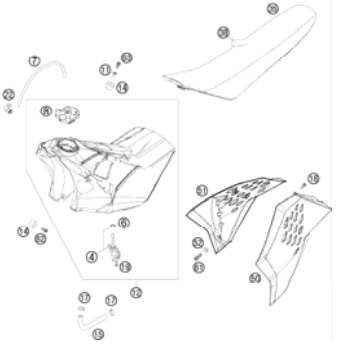
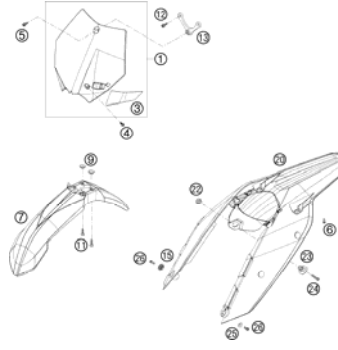

## SPARE PARTS MANUAL: CHASSIS

ART.NO.: 3CF8403H0EN

ENGLISH





|  |   |   |   |
|--|---|---|---|
| <p><b>FRONT FORK, TRIPLE CLAMP</b></p>  <p><b>3</b></p> | <p><b>FRONT FORK DISASSEMBLED</b></p>  <p><b>4</b></p> | <p><b>HANDLEBAR, CONTROLS</b></p>  <p><b>6</b></p>     | <p><b>FRAME</b></p>  <p><b>7</b></p>           |
| <p><b>MONOSHOCK</b></p>  <p><b>8</b></p>                | <p><b>SWING ARM</b></p>  <p><b>9</b></p>              | <p><b>MONOSHOCK DISASSEMBLED</b></p>  <p><b>10</b></p> | <p><b>EXHAUST SYSTEM</b></p>  <p><b>12</b></p> |
| <p><b>AIR FILTER</b></p>  <p><b>13</b></p>            | <p><b>TANK, SEAT, COVER</b></p>  <p><b>14</b></p>   | <p><b>MASK, FENDERS</b></p>  <p><b>15</b></p>        | <p><b>DECAL</b></p>  <p><b>16</b></p>        |

**FRONT WHEEL**

**17**

**REAR WHEEL**

**18**

**WIRING HARNESS**

**19**

**BRAKE CALIPER REAR**

**20**

**HAND BRAKE CYLINDER**

**21**

**BRAKE CALIPER FRONT**

**22**

**REAR BRAKE CONTROL**

**23**

**ACCESSORIES KIT**

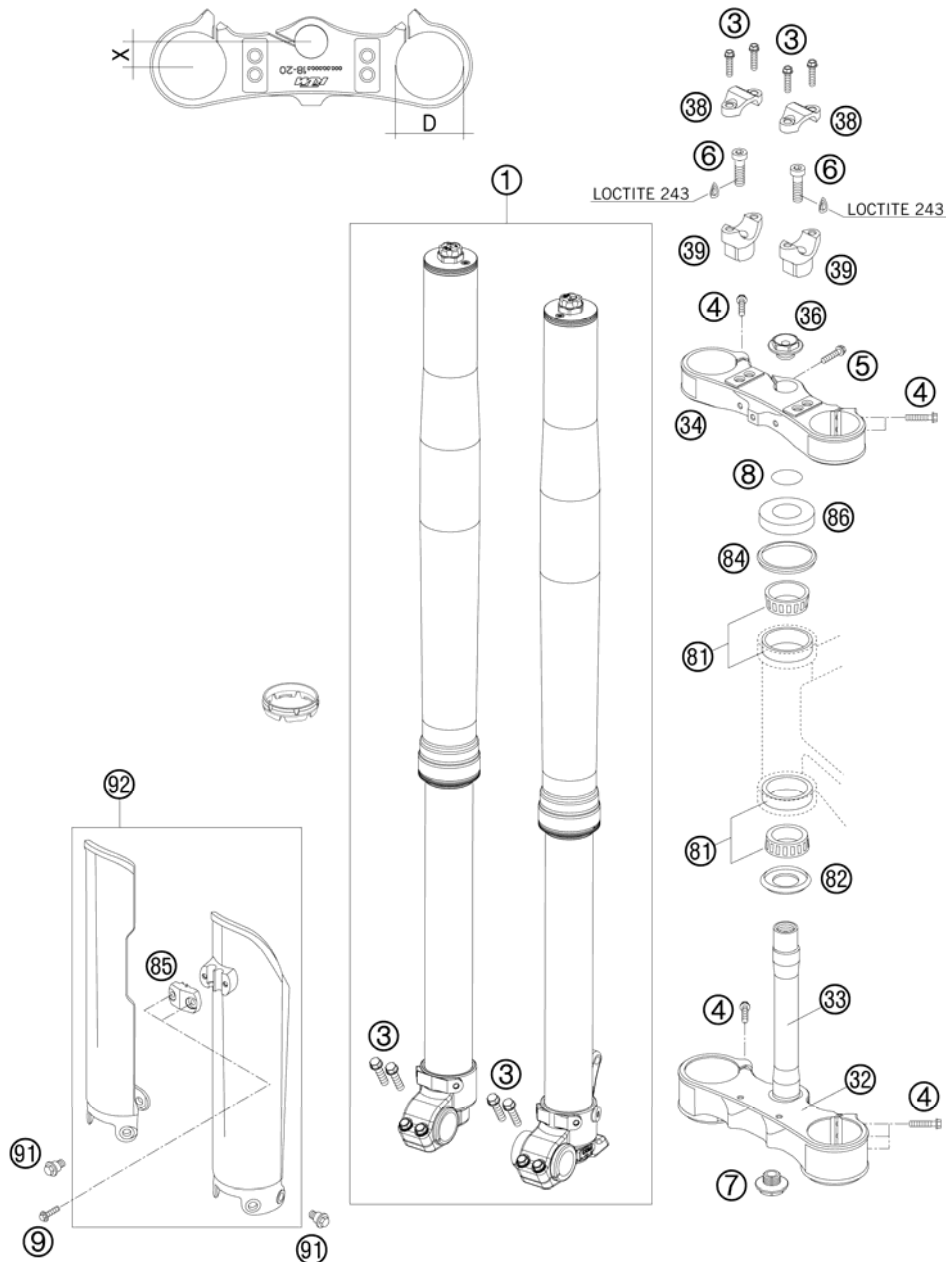
**24**



All information contained is without obligation. KTM-Sportmotorcycle AG particularly reserves the right to modify any equipment, technical specifications, prices, colors, shapes, materials, services, service work, constructions, equipment and the like so as to adapt them to local conditions or to cancel any of the above items, all without previous announcement and without giving reasons. KTM may stop manufacturing certain models without previous notice. KTM shall not be held liable for any deviations of availability and/or ability to deliver, illustrations, descriptions, printing and/or other errors. The illustrated models partly contain extra equipment, which is not applied to standard models. © by KTM-SPORTMOTORCYCLE AG, Mattighofen AUSTRIA; All rights reserved; Reprint, also in extracts, with written allowance of KTM-SPORTMOTORCYCLE AG, Mattighofen only.

# FRONT FORK, TRIPLE CLAMP

450 SMR 2008



| FIG | PART NUMBER   | DESCRIPTION                                 | QTY |
|-----|---------------|---|-----|
| 1   | 14187D18      | FORK WP D=48 450 SMR 2008                   | 1   |
| 3   | 0025080256    | HH COLLAR SCREW M8X25 TX40                  | 8   |
| 4   | 0025080356    | HH COLLAR SCREW M8X35 TX40                  | 10  |
| 5   | 0025080256S   | HH COLLAR SCREW M8X25 TX40                  | 1   |
| 6   | 0912100356    | AH SCREW DIN6912-M10X35 10.9                | 2   |
| 7   | 54801036100   | STE.HEAD SCR. M20X1,5 WS=27 SL SELF-LOCKING | 1   |
| 8   | 0770025035    | O-RING 25X3,55 NBR70 05                     | 1   |
| 9   | 0017060204    | EJOT PT SCREW K60X20 ALU WS=6               | 2   |
| 32  | 59401031115   | BOTTOM TRIPLE CLAMP 14-16                   | 1   |
| 33  | 77301233000   | FORK TUBE SMR 1MM ECC. 2008                 | 1   |
| 34  | 59401034115   | TOP TRIPLE CLAMP 14-16 OFFSET               | 1   |
| 36  | 54801036000   | STEER.HEAD SCREW M20X1,5 WS=27              | 1   |
| 38  | 59401038000   | HANDLEBAR CLAMP 28MM 05                     | 2   |
| 39  | 59401039032   | HANDLEB.SUPP. D=28MM H=32MM 05              | x   |
| 39  | 59401039037   | HANDLEB.SUPP. D=28MM H=37MM 05              | 2   |
| 39  | 59401039042   | HANDLEB.SUPP. D=28MM H=42MM 05              | x   |
| 81  | 54201081100   | TAPERED ROLLER BEARING CPL. 06              | 2   |
| 82  | 54601084100   | O-RING SUPPORT W. SEALING LIP               | 1   |
| 84  | 54601184000   | STEERING HEAD GASKET TOP                    | 1   |
| 85  | 5900108510004 | CLAMP F.SPEED.CABLE ORANGE 06               | 1   |
| 86  | 54201086000   | STEERING HEAD COVER                         | 1   |
| 91  | 59001092050   | SPECIAL SCREW M6X12,5 WS=8                  | 6   |
| 92  | 5900109400004 | FORK PROT. L/S +R/S ORG 02                  | 1   |

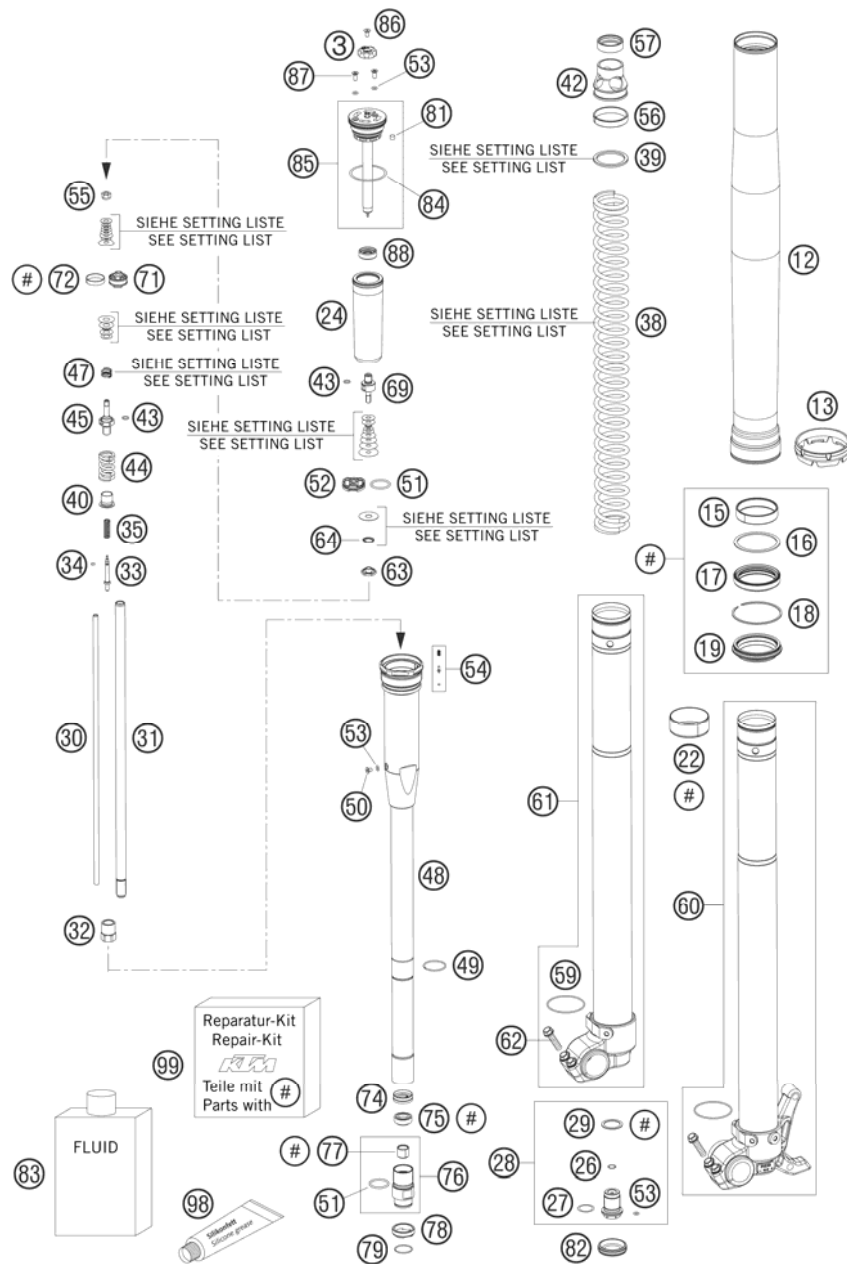
087730110 / C087730112

\* NEW PART

X AS REQUIRED

# FRONT FORK DISASSEMBLED

450 SMR 2008



| FIG | PART NUMBER | DESCRIPTION                    | QTY |
|-----|-------------|--------------------------------|-----|
| 3   | 48600569    | SETTING KNOB                   | 2   |
| 12  | 48600693    | OUTER TUBE L577 D54/60MM 2L BL | 2   |
| 13  | 48600698    | FORK PROTECTION RING 08        | 2   |
| 15  | 48600429    | DU-BUSH D48XD52X12DDL02        | 2   |
| 16  | 48600013    | SUPPORT RING 50 X 57,6 X 1,5   | 2   |
| 17  | 48600347    | OIL SEAL RING 48X57,8X9,5 03   | 2   |
| 18  | 48600070    | LOCK WASHER SB58               | 2   |
| 19  | 48600400    | DUST CAP D=48 58,4X11,8        | 2   |
| 22  | 48600428    | DU-BUSH D47XD49X20DDL02        | 2   |
| 24  | 48600281    | MEMBRANE                       | 2   |
| 26  | 48600301    | O-RING NBR 9,5X1,5             | 2   |
| 27  | 46810811    | O-RING NBR 17X2 PA             | 2   |
| 28  | 48600280S   | SCREW BUSH M20X1 L=33 CPL.     | 2   |
| 29  | 48600275    | COPPER WASHER 20,5X26X1        | 2   |
| 30  | 48600269    | ADJUSTING TUBE L=371           | 2   |
| 31  | 48600723    | PISTON ROD D=12 M9X1 L=385     | 2   |
| 32  | 48600459    | COUNTERNUT M12X1 WS17          | 2   |
| 33  | 48600277    | ADJUSTER NEEDLE 07             | 2   |
| 34  | 48600298    | O-RING 2X1,5 NBR               | 2   |
| 35  | 48600444    | REBOUND SPRING C=4N/MM         | 2   |
| 38  | 91410054S   | SPRING 4,8 N/MM SET D=5,25MM   | x   |
| 38  | 91410058S   | SPRING 5,0 N/MM SET            | x   |
| 39  | 48600456    | SPACER 43X35X2,5               | x   |
| 39  | 48600457    | SPACER 43X35X5                 | x   |
| 39  | 48600458    | SPACER 43X35X1,5               | x   |
| 40  | 48600525    | GUIDING BUSH REBOUND SPRING    | 2   |
| 42  | 48600520    | SPRING SUPPORT                 | 2   |
| 43  | 48600299    | O-RING 6X1,2 NBR               | 4   |
| 44  | 48600578    | SPRING REB. L=32 C=37 DI=13,9  | 2   |
| 45  | 48600576    | PISTON ROD REBOUND             | 2   |
| 47  | 35480377    | SPRING CHECK VALVE D=0,5       | 2   |
| 47  | 48600382    | SHUTTLE VALVE SPRING C=0,4     | 2   |
| 48  | 48600519S3  | MEMBRANE HOLDER                | 2   |
| 49  | 48600512    | LOCK WASHER D=25,5             | 2   |
| 50  | 48600542    | AH SCREW M4X6                  | 2   |
| 51  | 46811499    | O-RING NBR 21X2                | 4   |

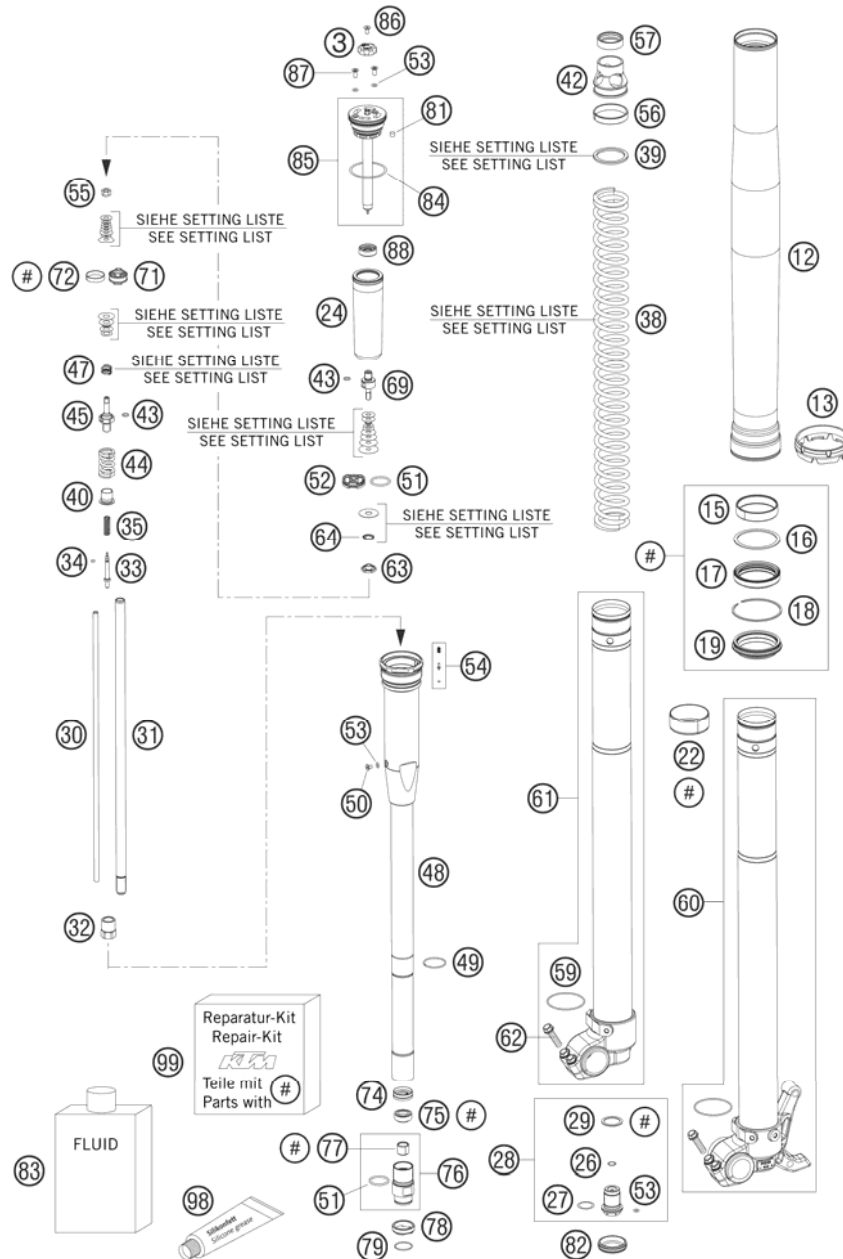
087800132 / C087800136

\* NEW PART

X AS REQUIRED

# FRONT FORK DISASSEMBLED

450 SMR 2008



| FIG | PART NUMBER | DESCRIPTION                    | QTY |
|-----|-------------|--------------------------------|-----|
| 52  | 48600047    | PISTON COMPRESSION D=27,9      | 2   |
| 53  | 50180222    | O-RING NBR 4X1,5               | 8   |
| 54  | 48600518S   | PIN VALVE SET                  | 2   |
| 55  | 40540486    | NUT M6X0,5 REBOUND             | 2   |
| 56  | 48600294    | GUIDE RING 44,2 X39,3          | 2   |
| 57  | 48600577    | RING SPRING-SUPPORT            | 2   |
| 59  | 48600048    | O-RING NBR 46 X 2              | 2   |
| 60  | 48600697S1  | AXLE-CL. MA AXIAL BR.+INN.TUBE | 1   |
| 61  | 48600691S1  | AXLE CLAMP R/S + TUBE CPL. 08  | 1   |
| 62  | 0025080256  | HH COLLAR SCREW M8X25 TX40     | 4   |
| 63  | 48600163    | CHECK VALVE NUT M6X0,5 D=2     | 2   |
| 64  | 48600202    | SPRING CHECK VALVE D=0,7       | 2   |
| 69  | 48600509    | PISTON ROD COMPRESSION         | 2   |
| 71  | 48600575    | PISTON REBOUND SX 2007         | 2   |
| 72  | 48600455    | PISTON RING 5X1X68             | 2   |
| 74  | 48600296    | RING D=23,45X2,65              | 2   |
| 75  | 48600471    | PISTON ROD SEALING             | 2   |
| 76  | 48600546S   | SCREW SLEEVE M24,5X1 CPL.      | 2   |
| 77  | 48600430    | DU BUSH FOR PISTON ROD         | 2   |
| 78  | 48600709    | CHECK VALVE STOP               | 2   |
| 79  | 48600446    | LOCK WASHER D=20               | 2   |
| 81  | 15080017    | SILICON CAP                    | 2   |
| 82  | 48600692    | RUBBER CAP D=26,4              | 2   |
| 83  | 48600401S1  | FORK OIL SAE5 5L 2005          | 1   |
| 84  | 40140024    | O-RING NBR 43X2                | 2   |
| 85  | 48600516S1  | SCREW CAP CPL. L=125           | 2   |
| 86  | 48600527    | AH SCREW M4X6                  | 2   |
| 87  | 48600526    | SCREW M4X10                    | 4   |
| 88  | 48600514    | MEMBRANE SLEEVE                | 2   |
| 98  | T511        | SILICONE GREASE F. DUST STRI   | 1   |
| 99  | R14014      | REPAIR-KIT GASKET 48MM 0       | 1   |

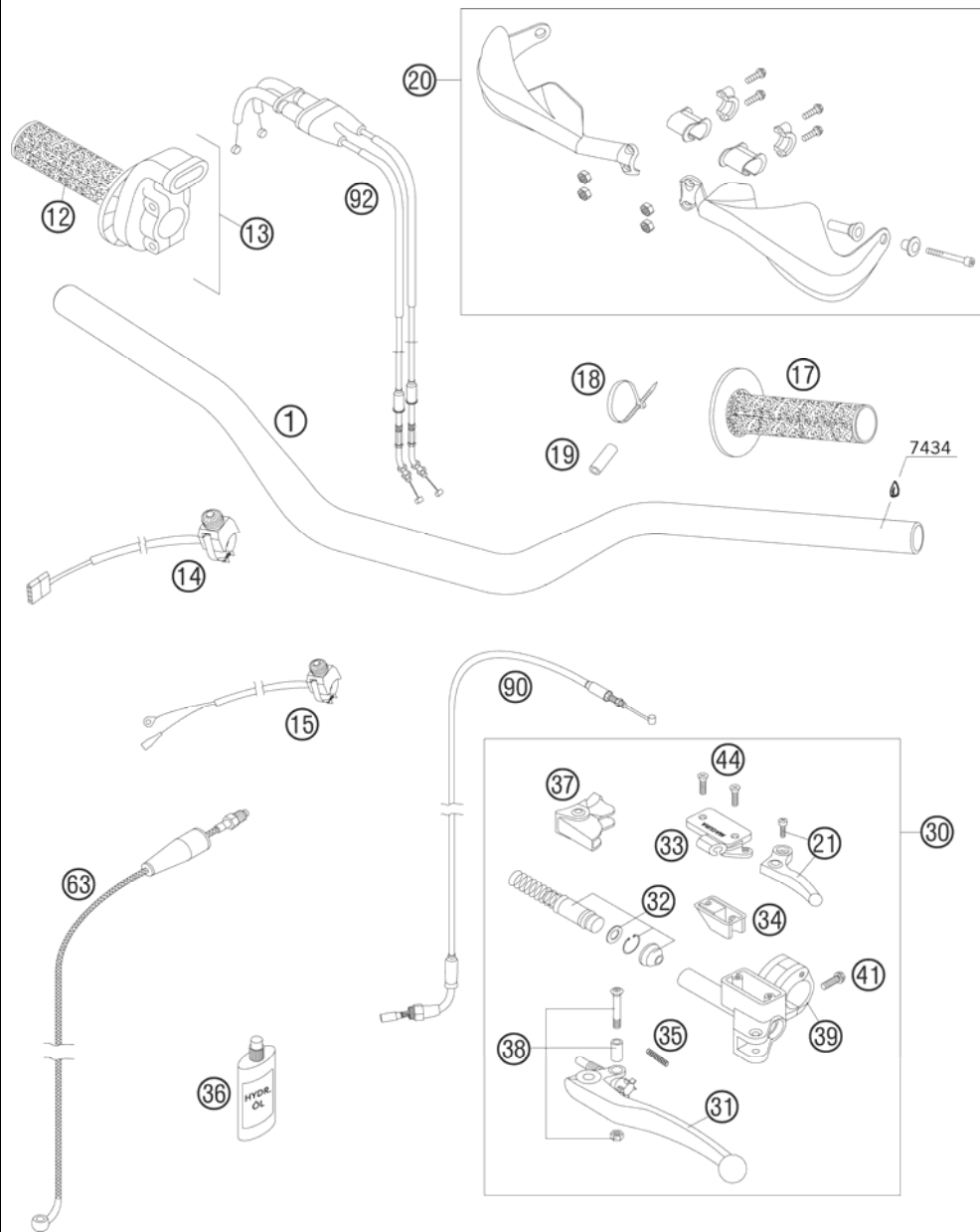
087800132 / C087800136

\* NEW PART

X AS REQUIRED

# HANDLEBAR, CONTROLS

450 SMR 2008



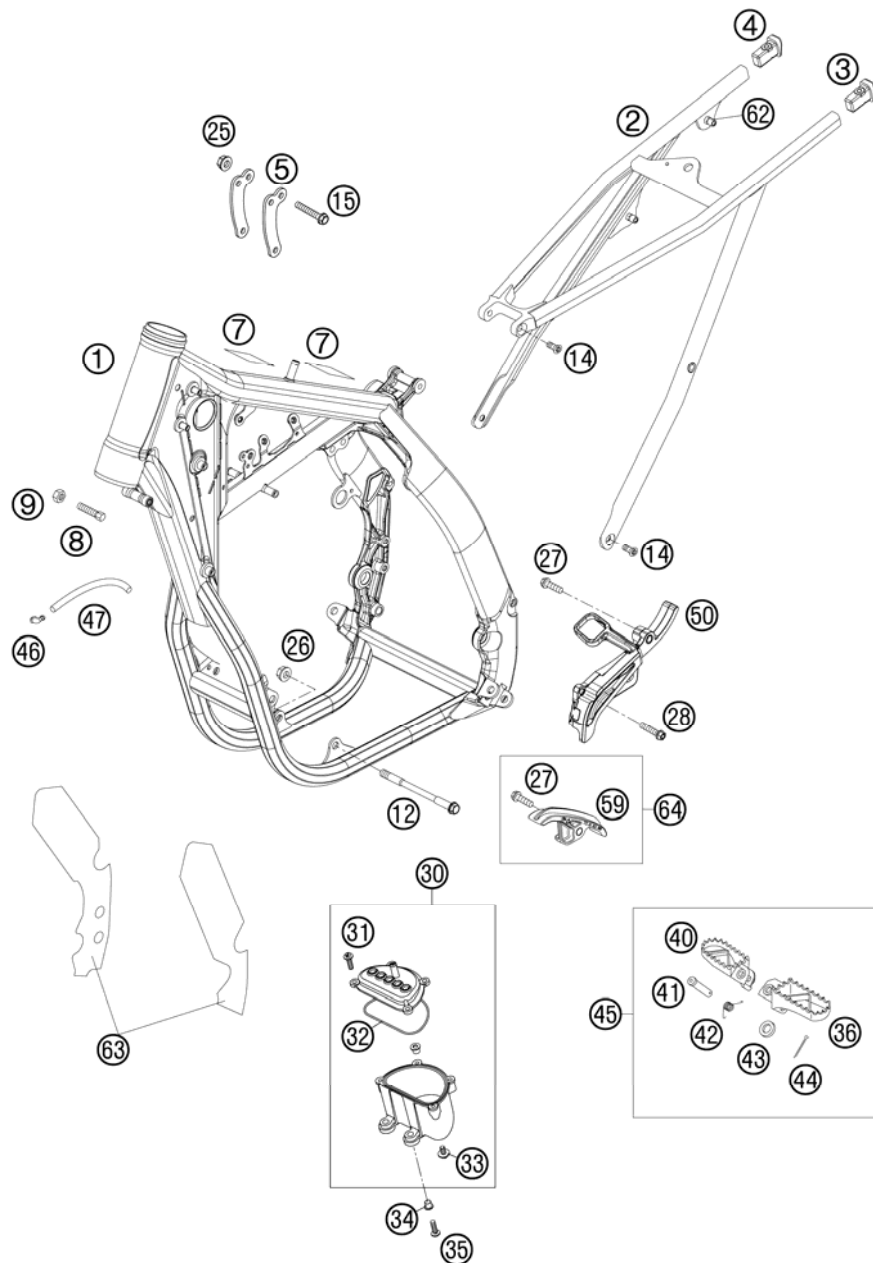
| FIG | PART NUMBER   | DESCRIPTION                    | QTY |
|-----|---------------|--------------------------------|-----|
| 1   | 5480200120017 | HANDLEBAR D=28 MM RENTHAL 796  | 1   |
| 12  | 54802013000   | TWIST GRIP COVER RENTHAL 04    | 1   |
| 13  | 59402010000   | THROTTLE GRIP CPL. RACING 2004 | 1   |
| 14  | 63011074000   | STARTER BUTTON 06              | 1   |
| 15  | 50311089200   | SHORT CIRCUIT BUTTON 02        | 1   |
| 17  | 54802039000   | FIXED GRIP RENTHAL 04          | 1   |
| 18  | 44011076100   | CABLE TIE 100/2,5MM BLACK      | x   |
| 18  | 44011076200   | CABLE TIE 200/3,6MM BLACK      | x   |
| 19  | 78011016015   | HOSE 7X11,5X15                 | 1   |
| 20  | 6000207910030 | HANDGUARD L/S+R/S CPL.BLACK 04 | 1   |
| 21  | 59002047000   | LEVER CPL. RACING 2000         | 1   |
| 30  | 58602030000   | MASTER CYLINDER CPL. SXC/SM 03 | 1   |
| 31  | 54602031000   | CLUTCH LEVER SHORT CPL. 2003   | x   |
| 31  | 59002031000   | CLUTCH LEVER LONG CPL. 2003    | 1   |
| 32  | 59002032000   | REP.KIT PISTON 9,5MM RAC. 2000 | 1   |
| 33  | 59002033000   | COVER HYD.CLUTCH RACING 2000   | 1   |
| 34  | 50302034000   | RUBBER FOR RESERVOIR '98       | 1   |
| 35  | 59002035000   | SPRING FOR CLUTCH LEVER 03     | 1   |
| 36  | 50302036200   | OIL FOR HYD. CLUTCH 75ML       | 1   |
| 37  | 50302037000   | PROTECT.CAP FOR LEVER PERCH'98 | 1   |
| 38  | 50302038000   | LEVER SCREW CPL. 125-200 '98   | 1   |
| 39  | 50302030150   | CLAMP WITH PIN 2000            | 1   |
| 41  | 0025060206    | HH COLLAR SCREW M6X20 TX30     | 1   |
| 44  | 0965040123    | FLAT HEAD SCREW DIN0965-M 4X12 | 2   |
| 63  | 59032063100   | CLUTCH PIPE RACING 2003        | 1   |
| 90  | 77002096000   | HOT START CABLE 05             | 1   |
| 92  | 77002091000   | THROTTLE CABLE 250 SXF 2005    | 1   |

087730211 / C087730212

\* NEW PART

X AS REQUIRED



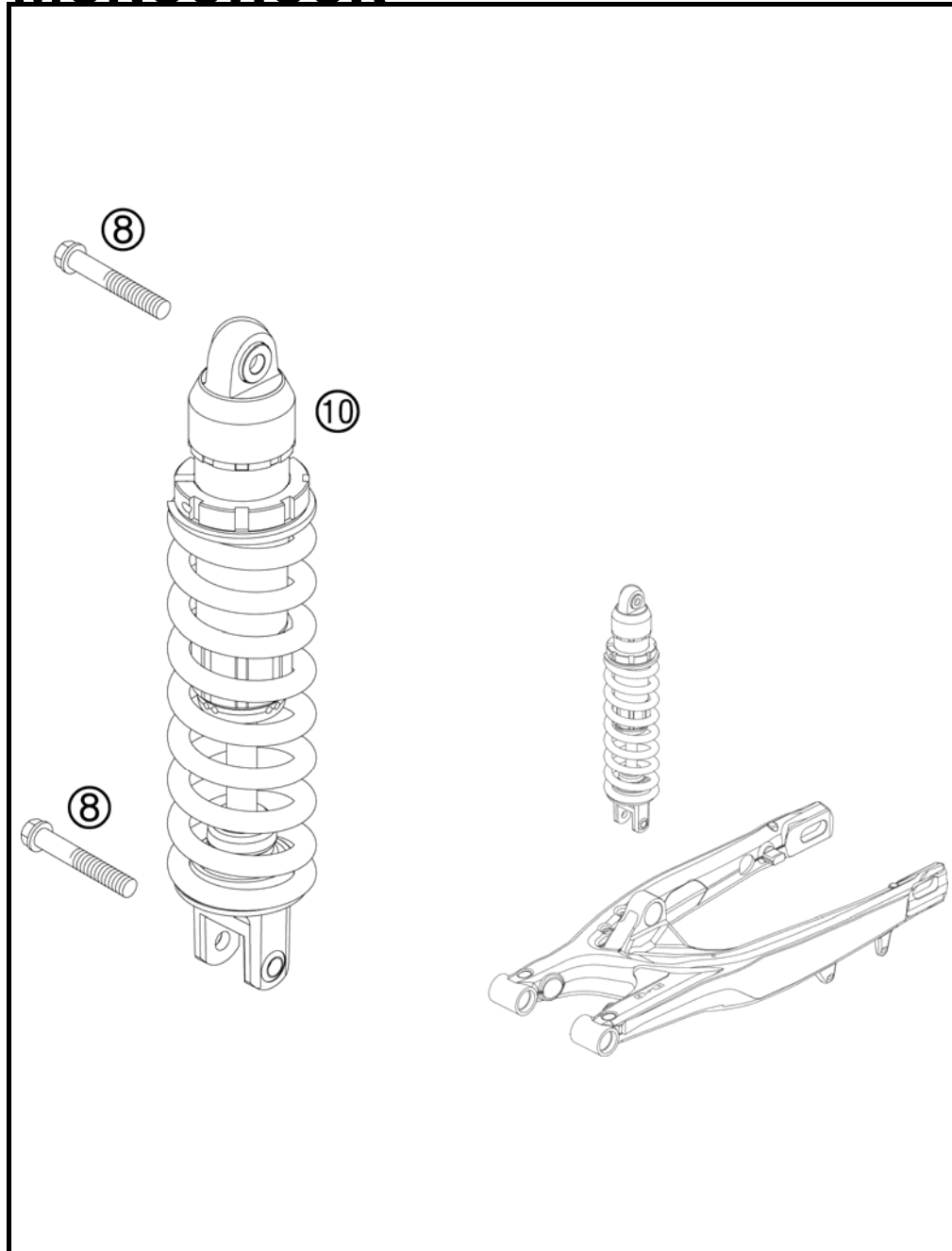


| FIG | PART NUMBER   | DESCRIPTION                    | QTY |
|-----|---------------|--------------------------------|-----|
| 1   | 7730320100030 | FRAME SMR "JE08" 08            | 1   |
| 2   | 77303002000   | SUB FRAME SX "Q7" 07           | 1   |
| 3   | 78003002010   | SUB FRAME APPLICATION LEFT 08  | 1   |
| 4   | 78003002020   | SUB FRAME APPLICATION RIGHT 08 | 1   |
| 5   | 77303013000   | ENGINE BRACE 450 SX-F 07       | 2   |
| 7   | 50307012000   | ADH. FOIL TRANSP. 80X80 MM 04  | 2   |
| 8   | 59001037000   | SPECIAL SCREW M8X26 WS=10      | 2   |
| 9   | 0934080003    | HEXAGON NUT DIN0934-M 8        | 2   |
| 12  | 59003013000   | ENGINEBRAC.SCREW M10X123 WS=13 | 2   |
| 14  | 0019080206S   | FLAT HEAD SCREW M. ISA45 M8X20 | 4   |
| 15  | 56530079000   | COLLAR SCREW M8X42 WS=13 10.9  | 3   |
| 25  | 54310086200   | SELF LOCKING NUT M8 10.9       | 3   |
| 26  | 54310086100   | SELF LOCKING NUT M10 CU WS=14  | 2   |
| 27  | 0025080306    | HH COLLAR SCREW M8X30 TX40     | 2   |
| 28  | 0025060406    | HH COLLAR SCREW M6X40 TX30     | 1   |
| 30  | 59431096000   | INTERCEPTING TANK CPL. 2004    | 1   |
| 31  | 0017060203    | EJOT PT SCREW K6X20 WS=6       | 4   |
| 32  | 0770800021    | O-RING 80,00X2,00 VITON        | 1   |
| 33  | 0024060106    | HH COLLAR SCREW M6X10 TX30     | 1   |
| 34  | 58314060050   | SPACER BUSH. F. SPEEDOMET.BRA. | 2   |
| 35  | 0024060256    | HH COLLAR SCREW M6X25 TX30     | 2   |
| 36  | 59003040250   | FOOT PED L/S SILVER 02         | 1   |
| 40  | 59003041250   | FOOT PED R/S SILVER 02         | 1   |
| 41  | 54803044000   | BOLT FOR FOOT PED 03           | 2   |
| 42  | 54603041000   | FOOTREST SPRING L/S & R/S      | 2   |
| 43  | 0125100003    | WASHER DIN0125-A10,5           | 2   |
| 44  | 0094032253    | PIN DIN0094-3,2X25 STEEL       | 2   |
| 45  | 5030314013390 | FOOTREST L.+R. CPL. 03         | 1   |
| 46  | 50303089000   | ANGEL PIECE '97                | 2   |
| 47  | 78015019001   | HOSE EPA D=6/10 PER METER      | x   |
| 50  | 77303096000   | CHAIN SPROCKET COVER           | 1   |
| 59  | 77303053000   | CHAIN SLIDING PIECE BELOW 07   | 1   |
| 62  | 77303139000   | BLIND RIVET NUT EM6-60LF/HX    | x   |
| 63  | 77303094000   | FRAME PROTECTION STICK. SET 07 | 1   |
| 64  | 77303053010   | CHAIN SLIDING P. BELOW CPL. 07 | 1   |

087730310 / C087730312

\* NEW PART

X AS REQUIRED



| FIG | PART NUMBER | DESCRIPTION                   | QTY |
|-----|-------------|-------------------------------|-----|
| 8   | 0025120506S | HH COLLAR SCREW M12X50 TX45   | 2   |
| 10  | 12187D15    | MONOSHOCK PDS B07DA 450SMR 08 | 1   |

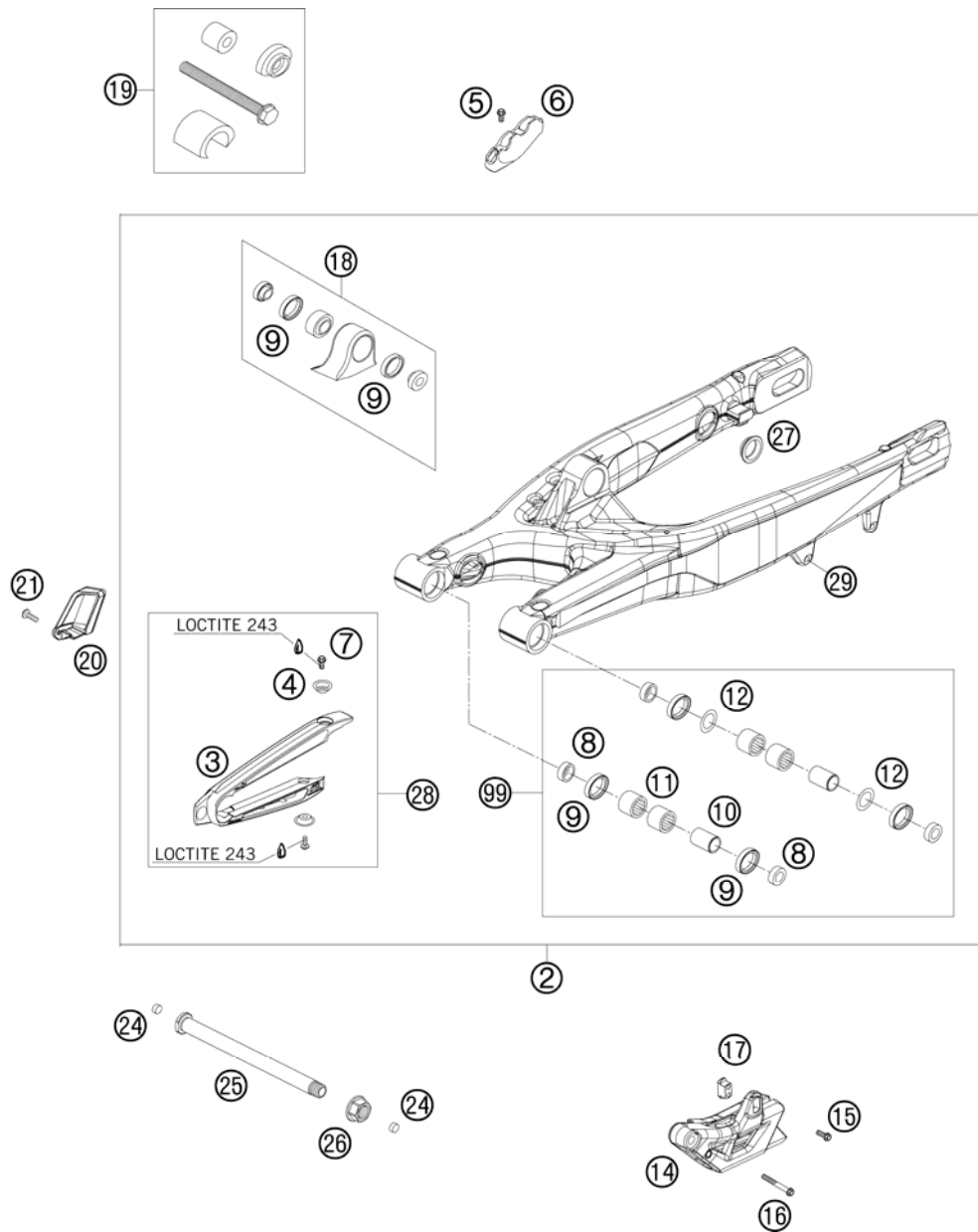
085030410 / C087730412

\* NEW PART

X AS REQUIRED

# SWING ARM

450 SMR 2008



| FIG | PART NUMBER | DESCRIPTION                    | QTY |
|-----|-------------|--------------------------------|-----|
| 2   | 77304230044 | SWING ARM CPL. 08              | 1   |
| 3   | 77304066000 | CHAIN SLIDING PROTECTION       | 1   |
| 4   | 77304066050 | BUSHING F. CHAIN SLIDING PR.07 | 2   |
| 5   | 0009050103  | SPECIAL SCREW M 5,0X10         | 2   |
| 6   | 77313047000 | BRAKE HOSE GUIDE LOWER 07      | 1   |
| 7   | 59009062013 | SPECIAL SCREW M6X13 WS=8 10.9  | 2   |
| 8   | 54804034000 | BUCKET F. SHAFT SEAL RING 03   | 4   |
| 9   | 0760253270  | SHAFT SEAL RING 25X32X7        | 6   |
| 10  | 54804032000 | BUSHING SLEEVE F. SWING ARM 03 | 2   |
| 11  | 58033097000 | NEEDLE BEARING HK 2216         | 4   |
| 12  | 54603036000 | STOP DISK 22,2X31,7X1          | 2   |
| 14  | 77304070000 | CHAIN GUIDE REAR CPL. 07       | 1   |
| 15  | 59009062019 | SPECIAL SCREW M6X19 WS=8 10.9  | 1   |
| 16  | 0025060456  | HH COLLAR SCREW M6X45 TX30     | 1   |
| 17  | 77304070030 | INSERTION NUT F. CHAIN GUIDE   | 1   |
| 18  | 50304090044 | PIVOT BEARING+BUSHES PDS '99   | 1   |
| 19  | 50329000044 | TOOL BEARING MOUNTING PDS      | 1   |
| 20  | 77304260000 | CHAIN STOP GUARD SMR 2008      | 1   |
| 21  | 0017060203  | EJOT PT SCREW K60X20 WS=6      | 1   |
| 24  | 55009086000 | PLUG SFL13                     | 2   |
| 25  | 77304037000 | SWINGARM BOLT M16X1,5 07       | 1   |
| 26  | 54804038000 | SELF LOCK.NUT M16X1,5 WS=19 03 | 1   |
| 27  | 58404041100 | CLOSING COVER ROUND 03         | 4   |
| 28  | 77304066010 | CHAIN GUARD CPL. 06            | 1   |
| 29  | 54603055051 | PRESS IN NUT M6 STEEL ZINC     | 1   |
| 99  | 54804230210 | SWINGARM REPAIR KIT 05-07      | 1   |

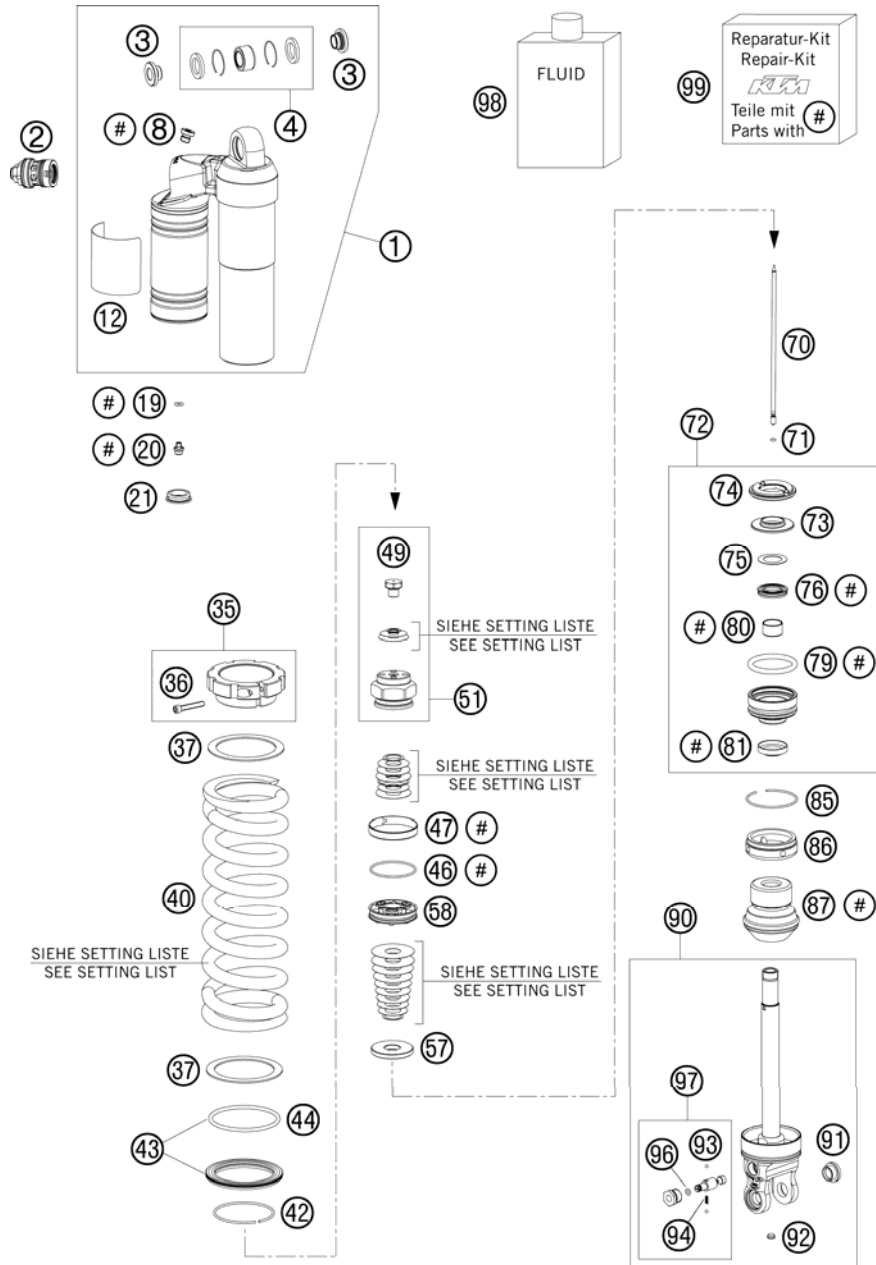
087730490 / C087730491

\* NEW PART

X AS REQUIRED

# MONOSHOCK DISASSEMBLED

450 SMR 2008



| FIG | PART NUMBER | DESCRIPTION                    | QTY |
|-----|-------------|--------------------------------|-----|
| 1   | 50180597S3  | TOP PART CPL. M57,5X1 H30,5 08 | 1   |
| 2   | 50180213S4  | DCC-COMPR.DAMP.CONTROL CPL. 03 | 1   |
| 3   | 46180007    | ADAPTOR BUSH KGW 12X24         | 2   |
| 4   | R12012      | REP. KIT BEAR./SEAL UP. 07     | 1   |
| 8   | 50180095    | BLEED PLUG R 1/8               | 1   |
| 12  | 52000041    | WP CAUTION (PDS KTM) 58X83     | 1   |
| 19  | 46810893    | O-RING NBR 5,28X1,78           | 1   |
| 20  | 36120151    | SCREW PLUG M5X6                | 1   |
| 21  | 46811208    | RUBBER CAP "DO NOT OPEN"       | 1   |
| 35  | 50180520S   | SPRING RETAINER M57,5X1 +SCREW | 1   |
| 36  | 50180327    | AH SCREW M5X30 DIN912          | 1   |
| 37  | 50180114    | INTERM.RING SCREW SPRING RET.  | 2   |
| 40  | 91210070S   | SPRING 250 76N/MM              | x   |
| 40  | 91210072S   | SPRING 250 80 N/MM             | x   |
| 40  | 91210073S   | SPRING 250 84 N/MM             | x   |
| 42  | 50180273    | CIRCLIP 58,2X2                 | 1   |
| 43  | 50180463S   | SPRING RET. D=80 W. O-RING 05  | 1   |
| 44  | 50180352    | O-RING VITON 66,27X3,53        | 1   |
| 46  | 50180099    | O-RING VITON 44,17X1,78        | 1   |
| 47  | 50180135    | PISTON RING 50-8               | 1   |
| 49  | 46180056    | BLEED SCREW M6                 | 1   |
| 51  | 50180616S   | PISTON ROD NUT M16X1 CPL.      | 1   |
| 57  | 50180196    | REBOUND DISC D=34, H=8         | 1   |
| 58  | 50180197    | PISTON 6+6X7/4,5               | 1   |
| 70  | 50180513    | NEEDLE L=171                   | 1   |
| 71  | 46811265    | O-RING VITON 2,2X1,6           | 1   |
| 72  | 50180603S   | ADAPTOR CPL. D=50 H=28 08      | 1   |
| 73  | 50180113    | STEEL DISC 18X,5X43,7X6        | 1   |
| 74  | 50180107    | REBOUND RUBBER                 | 1   |
| 75  | 50180604    | SHIM D29,75 X D19 X T0,4 08    | 1   |
| 76  | 50180605S   | SEAL D18X30X5 08               | 1   |
| 79  | 50180103    | O-RING 41X5                    | 1   |
| 80  | 46180119    | DU-BUSH 18X20X12               | 1   |
| 81  | 50180606    | DUST SEAL 1828 08              | 1   |
| 85  | 50180126    | CIRCLIP 53X1,75                | 1   |
| 86  | 50180511    | COVER D=50 07                  | 1   |

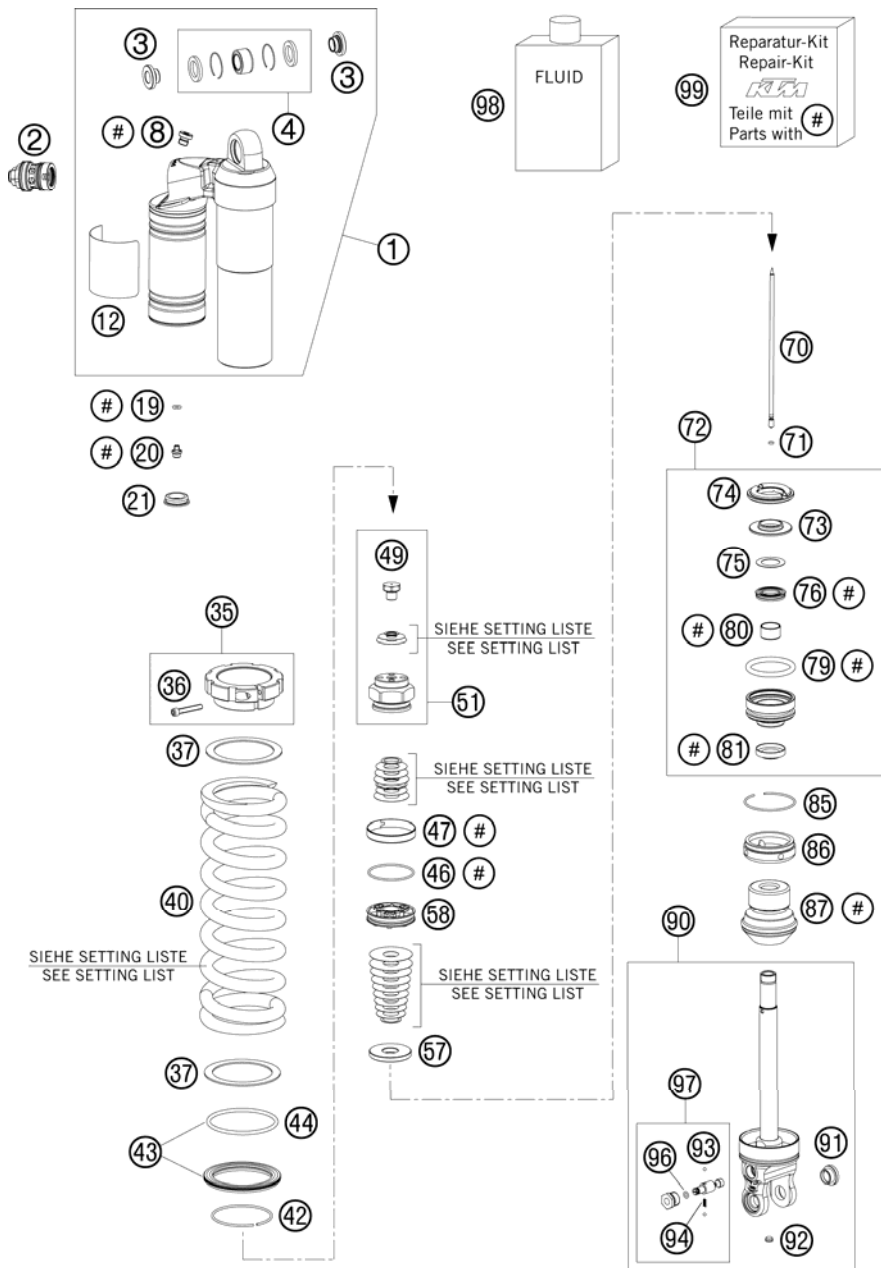
087800434 / C087800438

\* NEW PART

X AS REQUIRED

# MONOSHOCK DISASSEMBLED

450 SMR 2008



| FIG | PART NUMBER | DESCRIPTION                    | QTY |
|-----|-------------|--------------------------------|-----|
| 87  | 50180480    | BUMP RUBBER D58 D17 H59 SXS 05 | 1   |
| 90  | 50180512S1  | MONOSHOCK LOWER PART CPL. 07   | 1   |
| 91  | 50180105    | THREADED BUSH M12 PDS          | 1   |
| 92  | 50180297    | RUBBER PLUG D=8                | 1   |
| 93  | 40540603    | STEEL BALL D=3MM               | 2   |
| 94  | 48600028    | SPRING D=2,9 L=7,9             | 1   |
| 96  | 50180222    | O-RING NBR 4X1,5               | 1   |
| 97  | 50180434S   | ADJUSTING SCREW REBOUND TRAVEL | 1   |
| 98  | 50180342S1  | SHOCK ABSORBER FLUID 5 LT '03  | 1   |
| 99  | R12014      | REPAIR KIT 5018 PDS 06         | 1   |

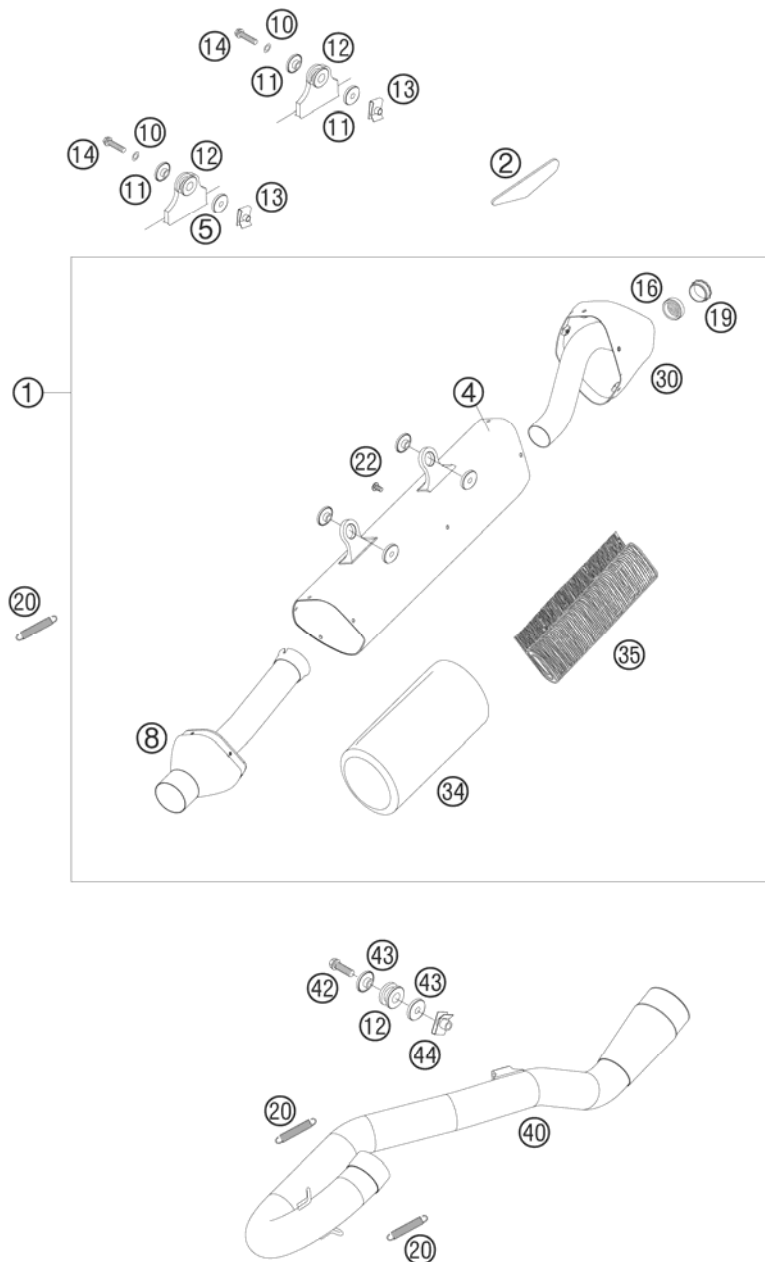
087800434 / C087800438

\* NEW PART

X AS REQUIRED

# EXHAUST SYSTEM

450 SMR 2008

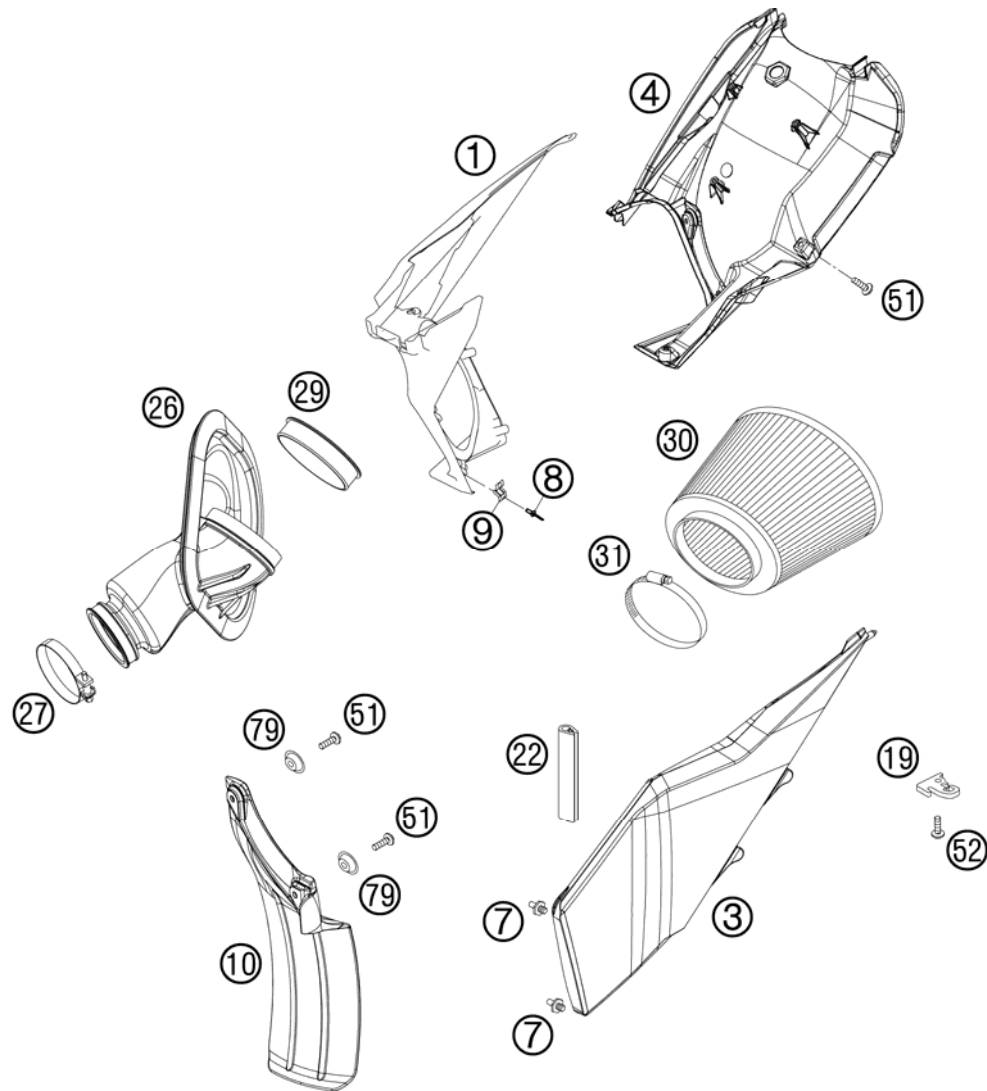


| FIG | PART NUMBER | DESCRIPTION                    | QTY |
|-----|-------------|--------------------------------|-----|
| 1   | 77005081000 | SILENCER EXC-F THROTTLED 07    | 1   |
| 2   | 77308013050 | THERMAL PROTECTION FOIL 07     | 1   |
| 4   | 77005081050 | SILENCER HOUSING EXC-F 07      | 1   |
| 5   | 59405169000 | BUSHING SIL.-SMR REAR 2004     | 1   |
| 8   | 77005081009 | SIL. CONNECT. CAP CPL.EXC-F 07 | 1   |
| 10  | 0137060003  | SPRING WASHER DIN0137-B 6      | 2   |
| 11  | 77305069000 | BUSHING 7.5x12x28x7.6 07       | 4   |
| 12  | 54605068000 | EXHAUST BRACKET RUBBER BLACK   | 3   |
| 13  | 54603048100 | RANGE CHANGE METAL NUT M6      | 2   |
| 14  | 0025060306  | HH COLLAR SCREW M6X30 TX30     | 2   |
| 16  | 77005081065 | THROTTLE ELEMENT CPL. EXC 07   | 1   |
| 19  | 77005081055 | SIL. ELEMENT EXC-F 07          | 1   |
| 20  | 50305016000 | TEN.SPRING L=62MM EY.MOVEABLE  | 3   |
| 22  | 58605083010 | SCREW TORX M5X10 05            | 10  |
| 30  | 77005081006 | ENDCAP EXC-F 07                | 1   |
| 34  | 58705078350 | STUFFINGYARN 350 GRAMM '99     | 1   |
| 35  | 77005081016 | STUFFING YARN EXC-F 07         | 1   |
| 40  | 77305007100 | EXHAUST MANIFOLD 450 SX-F 07   | 1   |
| 42  | 0025080256  | HH COLLAR SCREW M8X25 TX40     | 1   |
| 43  | 59405069000 | BUSHING FOR EXHAUST SUPPORT 03 | 2   |
| 44  | 54603048000 | RANGE CHANGE METAL NUT M8      | 1   |

087730512 / C087730512

\* NEW PART

X AS REQUIRED



| FIG | PART NUMBER   | DESCRIPTION                    | QTY |
|-----|---------------|--------------------------------|-----|
| 1   | 7730600101030 | FILTER WALL SX BLACK 07        | 1   |
| 3   | 7730600300030 | FILTER BOX COVER SX BLACK 07   | 1   |
| 4   | 77306001020   | REAR PART FILTER BOX 07        | 1   |
| 7   | 54806008051   | QUICK RELEASE-NIPPLE 03        | 2   |
| 8   | 54806108052   | BLIND RIVET 3,3X9,7 GROOVED 04 | 4   |
| 9   | 54806008050   | QUICK RELEASE-SPRING HANGER    | 2   |
| 10  | 77306010000   | FENDER FOR FILTER BOX          | 1   |
| 19  | 77306019000   | FASTEN. DEVICE FILTER S. SX 07 | 1   |
| 22  | 60114010070   | EDGE PROTECTOR 14X9,5X66 MM 06 | 1   |
| 26  | 77306226000   | CARB. CONNECT. BOOT 450 SMR 08 | 1   |
| 27  | 46005058000   | HOSE CLAMP 40-60MM             | 1   |
| 29  | 77306226040   | AIR FILTER SPACER RING SMR 08  | 1   |
| 30  | 57306015000   | AIR FILTER 660 SM FACTORY 02   | 1   |
| 31  | 58506027000   | HOSE CLAMP 70-90MM             | 1   |
| 51  | 0017060204    | EJOT PT SCREW K60X20 ALU WS=6  | x   |
| 52  | 0017060203    | EJOT PT SCREW K60X20 WS=6      | 1   |
| 79  | 77304066050   | BUSHING F. CHAIN SLIDING PR.07 | 2   |

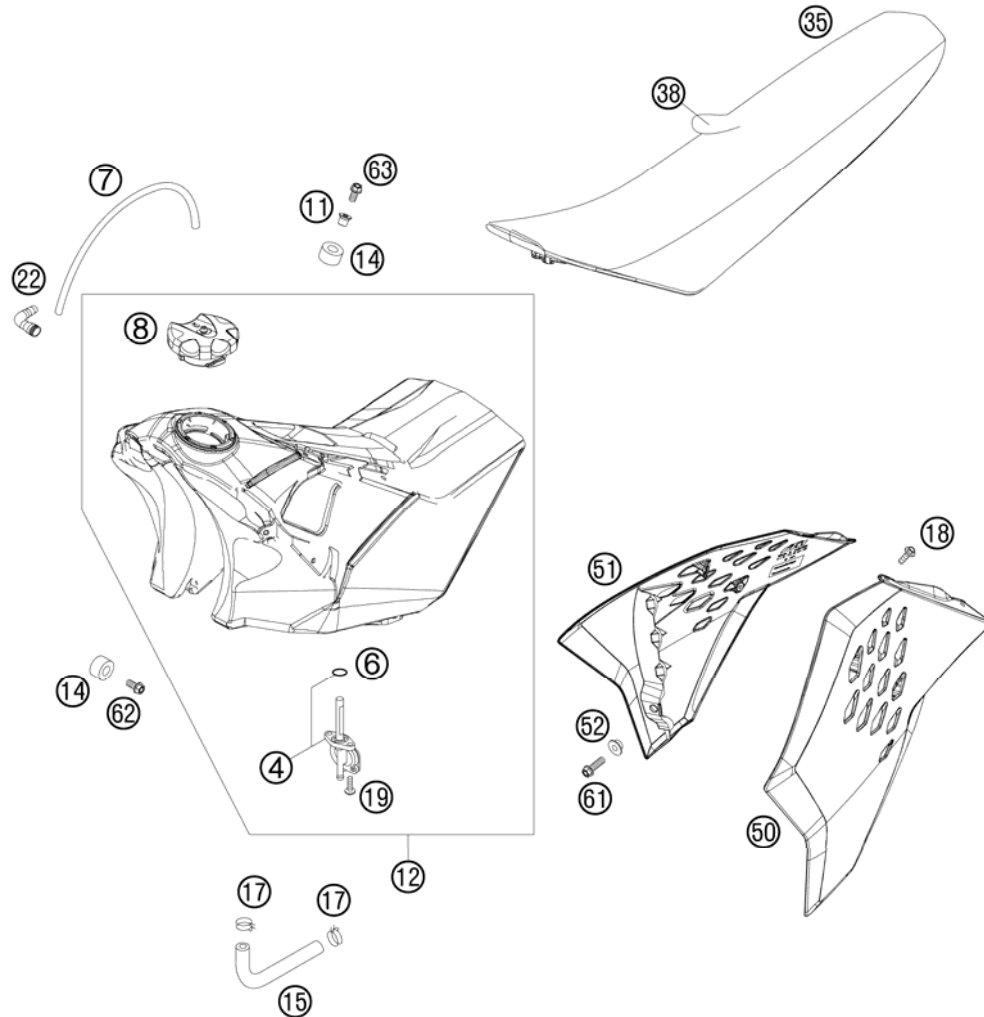
087730610 / C087730611

\* NEW PART

X AS REQUIRED

# TANK, SEAT, COVER

450 SMR 2008



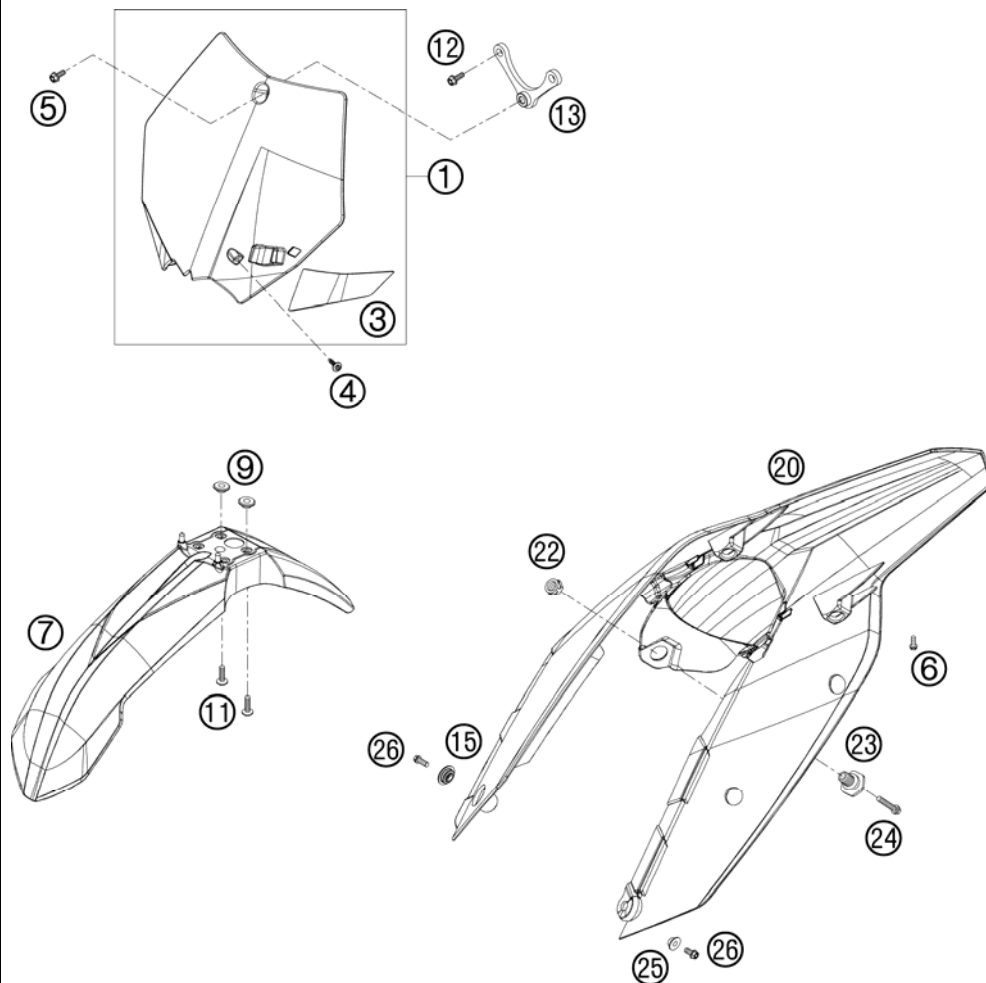
| FIG | PART NUMBER   | DESCRIPTION                   | QTY |
|-----|---------------|-------------------------------|-----|
| 4   | 50307005000   | GAS COCK MIKUNI ON/OFF 2001   | 1   |
| 6   | 0770130023    | O-RING 13,00X2,30             | 1   |
| 7   | 78007000270   | PVC-HOSE 5,6X10X270MM         | 1   |
| 8   | 7800700804404 | TANK PLUG CPL. XCF-W 08       | 1   |
| 11  | 77307026000   | TANK BUSHING 07               | 1   |
| 12  | 7730701313330 | FUEL TANK CPL. SX 7,5L 08     | 1   |
| 14  | 50307014000   | TANK ROLLER 12X26X12 '98      | 3   |
| 15  | 77307016000   | FUEL PREFORMED HOSE 450 SX-F  | 1   |
| 17  | 58031005000   | CLAMP YDNAC 10128 12MM        | 2   |
| 18  | 0017060204    | EJOT PT SCREW K60X20 ALU WS=6 | 8   |
| 19  | 0017060203    | EJOT PT SCREW K60X20 WS=6     | 2   |
| 22  | 51030022000   | ANGLE PIECE 90 DEGREE M10X1   | 1   |
| 35  | 77307040000   | SEAT SX 07                    | 1   |
| 38  | 77307040050   | SEAT COVER 07                 | 1   |
| 50  | 7730805000030 | SPOILER L/S BLACK 07          | 1   |
| 51  | 7730805100030 | SPOILER R/S BLACK 07          | 1   |
| 52  | 50308052000   | BUSH FOR SPOILER 6X11X16X5 MM | 2   |
| 61  | 0025060206    | HH COLLAR SCREW M6X20 TX30    | 2   |
| 62  | 0025060126    | HH COLLAR SCREW M6X12 TX30    | 2   |
| 63  | 0024060273    | COLLAR SCREW M6X27 TX         | 1   |

087800712 / C087730711

\* NEW PART

X AS REQUIRED





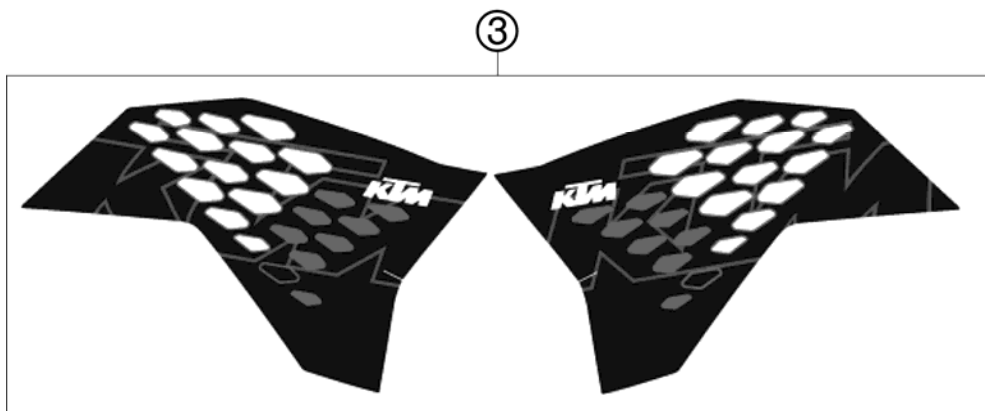
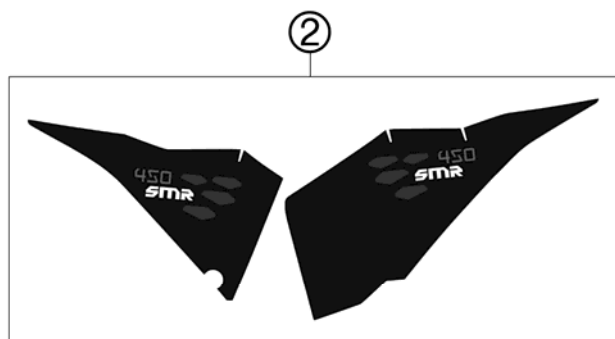
| FIG | PART NUMBER   | DESCRIPTION                    | QTY |
|-----|---------------|--------------------------------|-----|
| 1   | 7730800704430 | NUMBER PLATE CPL. BLACK        | 1   |
| 3   | 7730802200004 | BRAKE HOSE GUIDE ORANGE 07     | 1   |
| 4   | 0017060204    | EJOT PT SCREW K60X20 ALU WS=6  | 1   |
| 5   | 0024060106    | HH COLLAR SCREW M6X10 TX30     | 1   |
| 6   | 0014050163    | HH COLLAR SCREW M 5X16 WS=6    | 2   |
| 7   | 7730821000030 | FENDER FRONT SMR 08            | 1   |
| 9   | 54808020000   | SPACER BUSHING 03              | 4   |
| 11  | 0024060206    | HH COLLAR SCREW M6X20 TX30     | 4   |
| 12  | 0025060106    | HH COLLAR SCREW M6X10 TX30     | 2   |
| 13  | 77308207051   | RETAINER F.NUMBER PLATE SMR 08 | 1   |
| 15  | 77306001030   | COLLAR BUSHING 4,5/12,6/23     | 1   |
| 20  | 7730801300004 | REAR FENDER SX ORANGE 07       | 1   |
| 22  | 50314057050   | COLLAR NUT M12X1/WS17 H=5MM    | 1   |
| 23  | 54807048000   | BUSHING FOR SEAT FASTENING 03  | 1   |
| 24  | 0025060256    | HH COLLAR SCREW M6X25 TX30     | 1   |
| 25  | 50308052000   | BUSH FOR SPOILER 6X11X16X5 MM  | 1   |
| 26  | 0025060206    | HH COLLAR SCREW M6X20 TX30     | 2   |

087730810 / C087730810

\* NEW PART

X AS REQUIRED

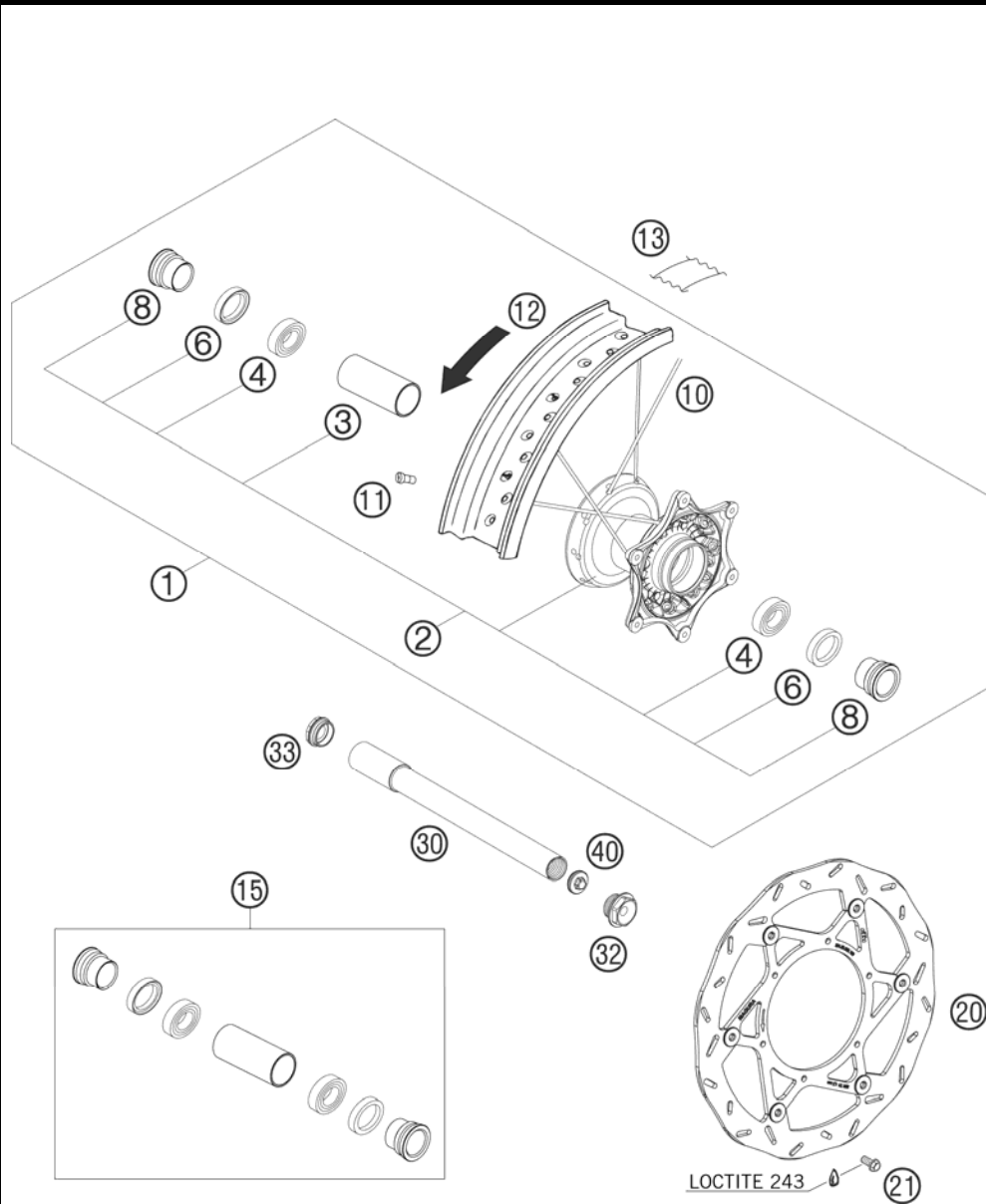
| FIG | PART NUMBER | DESCRIPTION                   | QTY |
|-----|-------------|-------------------------------|-----|
| 2   | 77308291000 | DISPLACEM. STICKER 450 SMR 08 | 1   |
| 3   | 77308090000 | SPOILER DECAL 450 SMR 08      | 1   |



087730834 / C087730834

\* NEW PART

X AS REQUIRED



| FIG | PART NUMBER   | DESCRIPTION                    | QTY |
|-----|---------------|--------------------------------|-----|
| 1   | 7730920104430 | FRONT WHEEL 3,5X16,5 SMR 08    | 1   |
| 2   | 78009010044   | FRONT WHEEL HUB CPL. 08        | 1   |
| 3   | 54809011000   | BEA.SPACERTUBE 35X2 L=79,4 03  | 1   |
| 4   | 0625069068    | GR.BALL BEAR.6906 DDU2CG23S6NM | 2   |
| 6   | 0760354771    | SHAFT SEAL RING 35X47X7 TC     | 2   |
| 8   | 78009012000   | SPACER BUSHING F. FR. WHEEL 08 | 2   |
| 10  | 77309271164   | SPOKE M4,5X164- 16,5" 08       | 36  |
| 11  | 50309072100   | SPOKE NIPPLE M4,5X0,75 8X21    | 36  |
| 12  | 77309270000   | FRONT RIM 3,5X16,5"            | 1   |
| 13  | 58309073000   | RIM BAND 17"                   | 1   |
| 15  | 78009015000   | FRONT WHEEL REP. KIT           | x   |
| 20  | 59409060100   | BRAKE DISC FRONT 310MM SMR 07  | 1   |
| 21  | 59009062016   | SPECIAL SCREW M6X16 WS=8 10.9  | 6   |
| 30  | 77309081000   | WHEEL SPIN.FR. D=26 M24x1,5 07 | 1   |
| 32  | 54809082000   | SPINDLE SCREW M24X1,5 WS=27 03 | 1   |
| 33  | 54809081050   | PLUG BUSHING WS=27 03          | 1   |
| 40  | 54809081070   | AUXILIARY SCREW FRONT 06       | 1   |

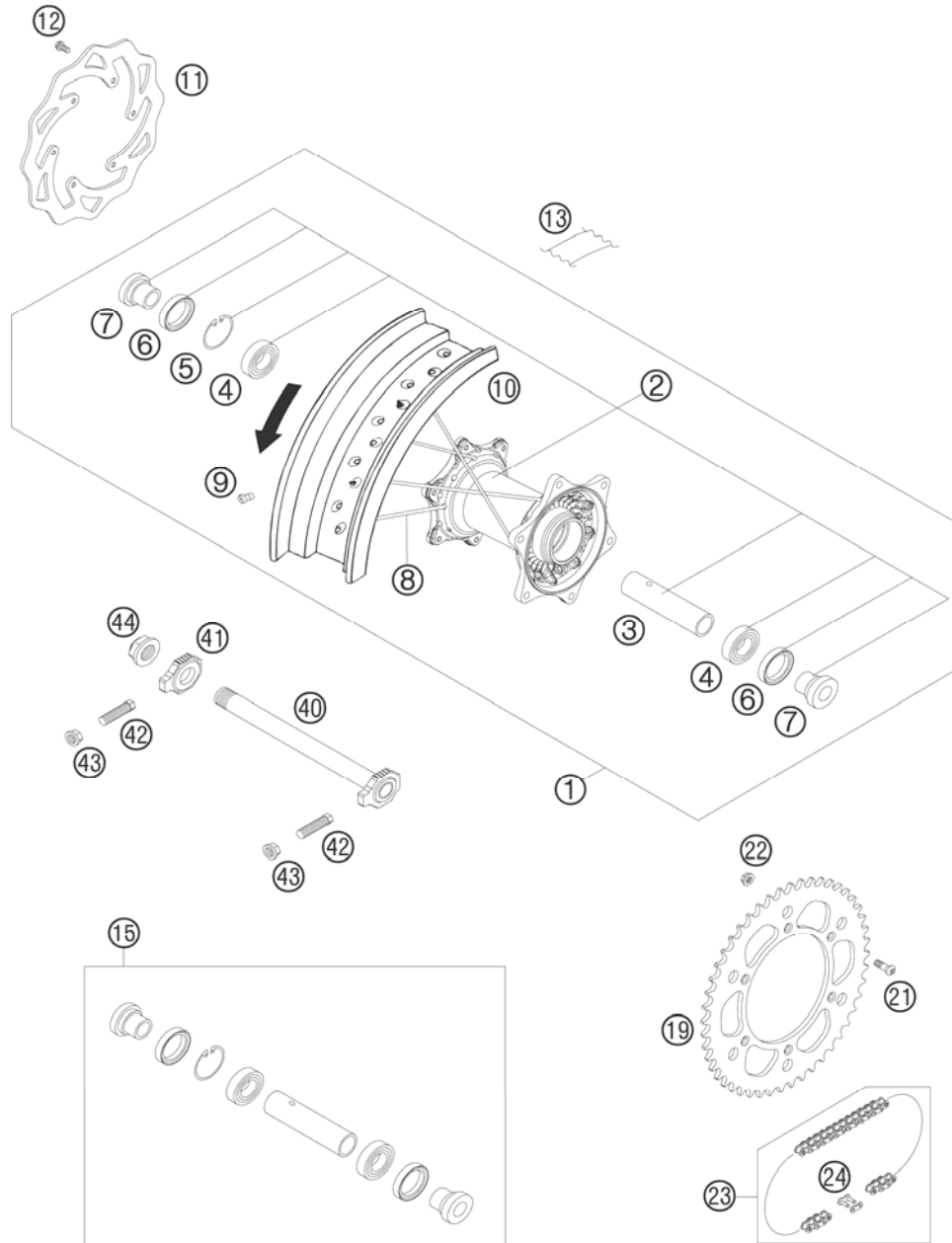
087730910 / C087730910

\* NEW PART

X AS REQUIRED

# REAR WHEEL

450 SMR 2008



| FIG | PART NUMBER   | DESCRIPTION                    | QTY |
|-----|---------------|--------------------------------|-----|
| 1   | 7731020104430 | REAR WHEEL CPL. 5X17 SMR 08    | 1   |
| 2   | 78010010044   | REAR HUB CPL. 08               | 1   |
| 3   | 59010011000   | BUSHING SPACER TUBE 121,5MM 01 | 1   |
| 4   | 0625060058    | GR.BALL BEAR.6005 DDU2CG23S6NM | 2   |
| 5   | 0472047175    | CIRCLIP DIN0472-47X1,75        | 1   |
| 6   | 0760324771    | SHAFT SEAL RING 32X47X7 BSL    | 2   |
| 7   | 78010016000   | BUSHING FOR HUB 08             | 2   |
| 8   | 58309071100   | SPOKE M5X174-13,5G 17"         | 36  |
| 9   | 58309072000   | SPOKE NIPPLE M5-TA (8X21MM)    | 36  |
| 10  | 59410070000   | RIM 5X17" SMR 07               | 1   |
| 11  | 77310060000   | BRAKE DISC REAR 220            | 1   |
| 12  | 59009062013   | SPECIAL SCREW M6X13 WS=8 10.9  | 6   |
| 13  | 58309073000   | RIM BAND 17"                   | 1   |
| 15  | 78010015000   | REAR WHEEL REP. KIT            | x   |
| 19  | 58310051038   | REAR SPROCKET 38-T             | x   |
| 19  | 58310051042   | REAR SPROCKET 42-T             | x   |
| 19  | 58310151040   | REAR SPROCKET 40-T             | x   |
| 19  | 58310151045   | REAR SPROCKET 45-T             | x   |
| 19  | 58310151048   | REAR SPROCKET 48-T             | x   |
| 19  | 58310151049   | REAR SPROCKET 49-T             | x   |
| 19  | 58310151050   | REAR SPROCKET 50-T             | x   |
| 19  | 58310151051   | REAR SPROCKET 51-T             | x   |
| 19  | 58310151052   | REAR SPROCKET 52-T             | x   |
| 21  | 0019080266S   | COUNTER-SUNK SCREW ISA45 M8X26 | 6   |
| 22  | 54310086200   | SELF LOCKING NUT M8 10.9       | 6   |
| 23  | 50310165118   | CHAIN 5/8X1/4" MX              | 1   |
| 23  | 50310800118   | CHAIN Z-RING 5/8X1/4"          | 1   |
| 24  | 50310166000   | CONNECTING LINK F. 50310165118 | 1   |
| 24  | 50310366000   | CONNECTING LINK F. 50310800118 | 1   |
| 24  | 50310866000   | MASTER LINK FOR 50310800118    | 1   |
| 40  | 77310085044   | WHEEL SPINDLE RE. CPL.265MM 07 | 1   |
| 41  | 50310084000   | CHAIN TENSIONER R/S 2000       | 1   |
| 42  | 50304040100   | SCREW M10X1,25X50 WS=10        | 2   |
| 43  | 58414030000   | HH COLLAR NUT M10X1,25 WS=13   | 2   |
| 44  | 50310099000   | HEXAGON NUT M20X1,5 '98        | 1   |

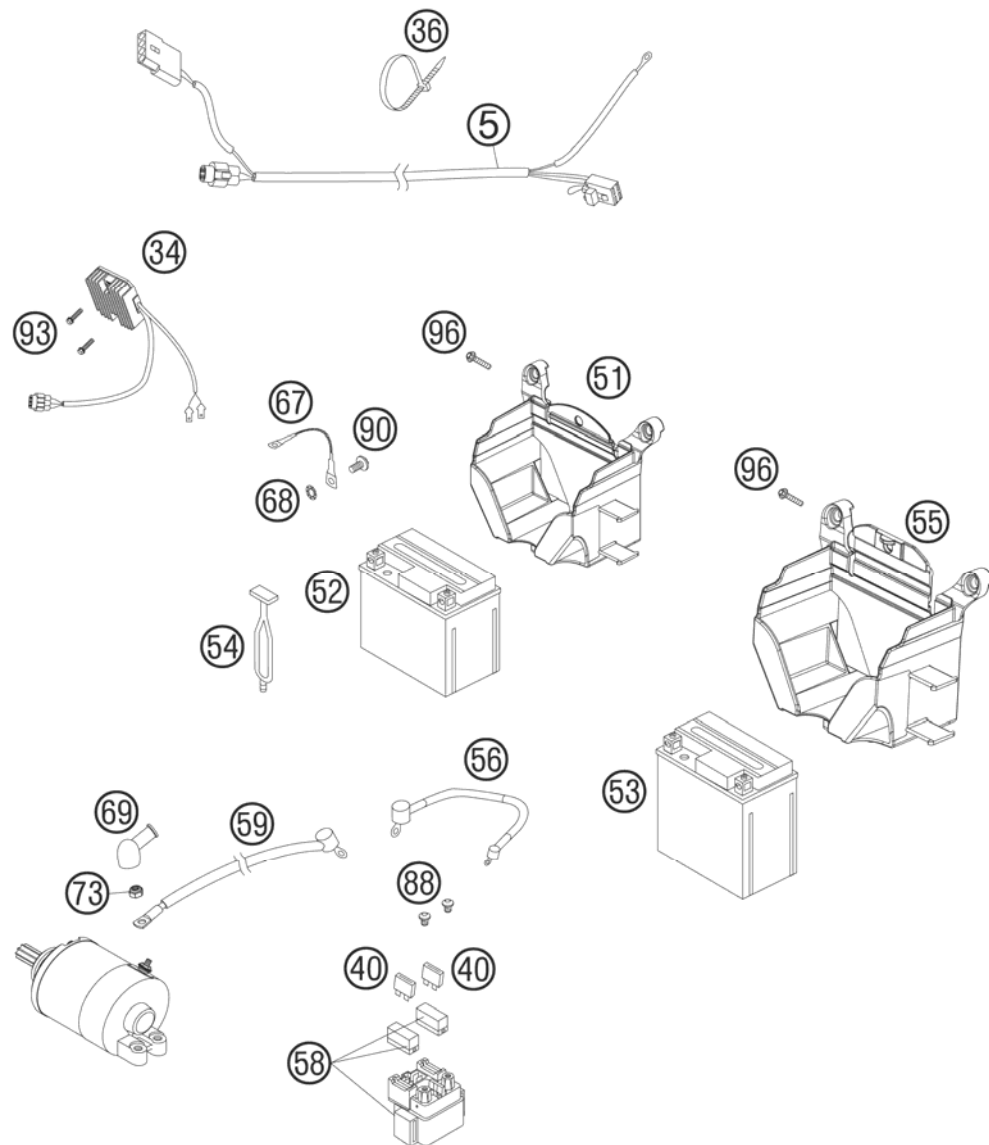
087731010 / C087731011

\* NEW PART

X AS REQUIRED

# WIRING HARNESS

450 SMR 2008



| FIG | PART NUMBER | DESCRIPTION                    | QTY |
|-----|-------------|--------------------------------|-----|
| 5   | 77311075000 | MAIN WIRING HARNESS 450 SX-F   | 1   |
| 34  | 77311034000 | VOLTAGE REGULATOR "RS 2759 "06 | 1   |
| 36  | 44011076200 | CABLE TIE 200/3,6MM BLACK      | x   |
| 36  | 44011076305 | CABLE TIE 300/4,8MM BLACK      | x   |
| 40  | 58011109110 | FUSE 10 A 2000                 | 2   |
| 51  | 77311055000 | BATTERY CASING                 | 1   |
| 52  | 77311053000 | BATTERY 12V 3AH YTX4L-BS       | 1   |
| 53  | 58511053000 | BATTERY 12V 4AH YTX5L-BS       | 1   |
| 54  | 50303018000 | RUBBER L=145MM                 | 2   |
| 55  | 78011055000 | BATTERY CASING                 | 1   |
| 56  | 58711086000 | WIRING HARNESS BATTERY DUKE'99 | 1   |
| 58  | 58211058000 | STARTER RELAY 12V '99          | 1   |
| 59  | 58411059100 | STARTER CABLE 700 MM '97       | 1   |
| 67  | 58411097100 | GROUND CABLE D=6MM L=140MM '97 | 1   |
| 68  | 58411098100 | CONTACT WASHER M6 VSV-K6       | 1   |
| 69  | 58440099000 | PROTECTION CAP F. STARTER ENG. | 1   |
| 73  | 0985060003  | SELF LOCK. NUT DIN0985-M 6     | 1   |
| 88  | 0902060083  | AH OVAL SCREW ISO 7380 M 6X8   | 2   |
| 90  | 0009050103  | SPECIAL SCREW M 5,0X10         | 1   |
| 93  | 0024060206  | HH COLLAR SCREW M6X20 TX30     | 2   |
| 96  | 0017060203  | EJOT PT SCREW K60X20 WS=6      | 3   |

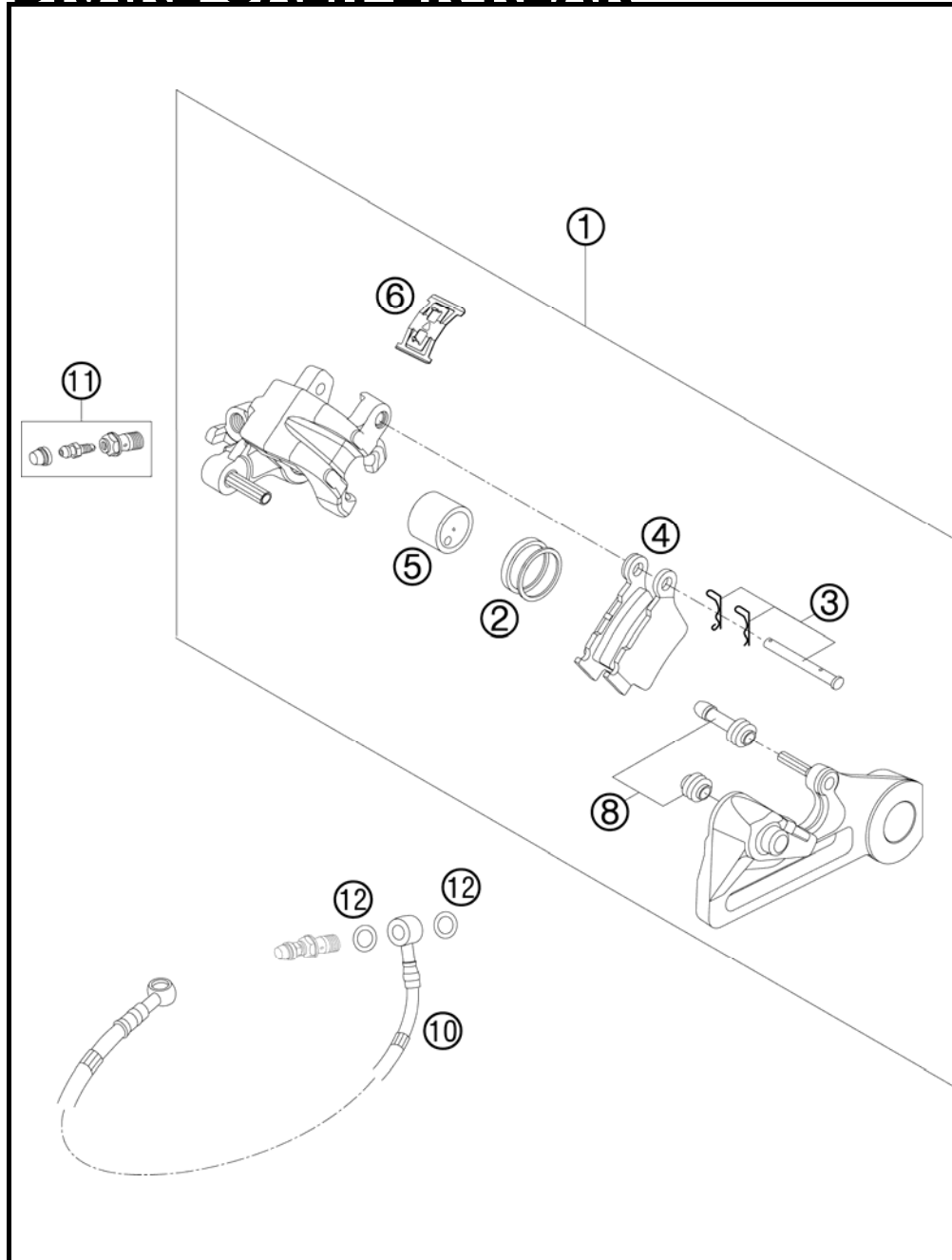
087731111 / C087731111

\* NEW PART

X AS REQUIRED

# BRAKE CALIPER REAR

450 SMR 2008



| FIG | PART NUMBER | DESCRIPTION                   | QTY |
|-----|-------------|-------------------------------|-----|
| 1   | 54813080144 | BRAKE CALIPER REAR CPL. 2005  | 1   |
| 2   | 50313081200 | REPAIR KIT SEALING RINGS 26MM | 1   |
| 3   | 54813082000 | BOLT SET FOR BRAKE CALIPER 03 | 1   |
| 4   | 54813090300 | BRAKE PAD SET REAR TOYO       | 1   |
| 5   | 54813083000 | BRAKE PISTON 26MM 2003        | 1   |
| 6   | 54813018000 | RETAINING SPRING SET 2003     | 1   |
| 8   | 54613218000 | CUP SET SHORT                 | 1   |
| 10  | 54813070000 | BRAKE HOSE REAR 655MM 03      | 1   |
| 11  | 54813020000 | BLEEDER HOLLOW SCREW M10X1    | 1   |
| 12  | 0603100141  | COPPER GASKET DIN7603-10X14X1 | 2   |

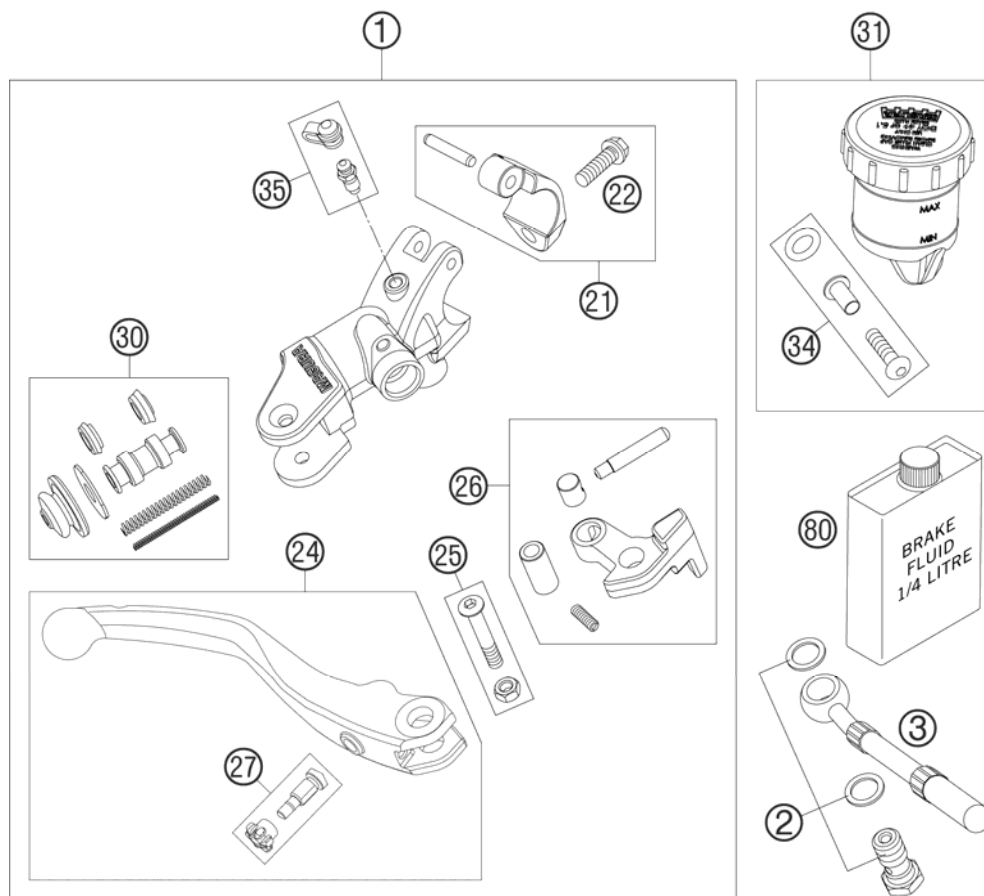
085481390 / C085481390

\* NEW PART

X AS REQUIRED

# HAND BRAKE CYLINDER

450 SMR 2008



| FIG | PART NUMBER | DESCRIPTION                    | QTY |
|-----|-------------|--------------------------------|-----|
| 1   | 59413001100 | HANDBRAKECYLINDER MAGURA 07    | 1   |
| 2   | 59032062000 | HOLLOW SCREW + COPPER GASKET   | 1   |
| 3   | 59413012000 | BRAKEHOSE FRONT 1160MM 07      | 1   |
| 21  | 59413005000 | CLAMP 07                       | 1   |
| 22  | 0025060166  | HH COLLAR SCREW M6X16 TX30     | 1   |
| 24  | 59413002144 | HANDBRAKE LEVER CPL. 07        | 1   |
| 25  | 61002038000 | LEVER SCREW CPL. 05            | 1   |
| 26  | 59413002150 | ROCKER CPL. FOR BRAKE LEVER 07 | 1   |
| 27  | 61002043000 | ADJUSTING SCREW CPL.           | 1   |
| 30  | 59413008000 | REP. SET PISTON D=12MM 2007    | 1   |
| 31  | 59413009000 | BRAKE FLUID RESERVOIR CPL.2007 | 1   |
| 34  | 59413009050 | O-RING+SCREW+SLEEVE 07         | 1   |
| 35  | 59413020000 | BLEEDER SCREW WITH CAP         | 1   |
| 80  | 00062030000 | BRAKE FLUID DOT5.1 0,25L       | x   |

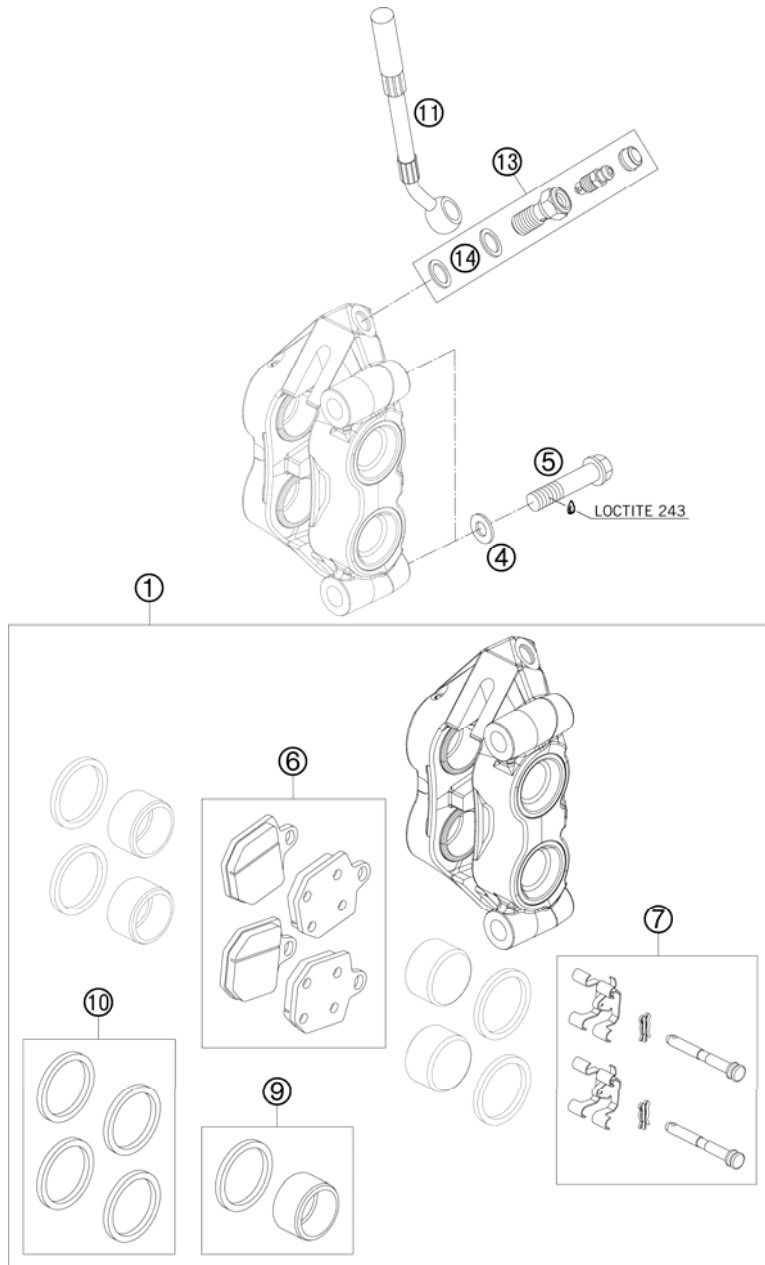
087731310 / C087731310

\* NEW PART

X AS REQUIRED

# BRAKE CALIPER FRONT

450 SMR 2008



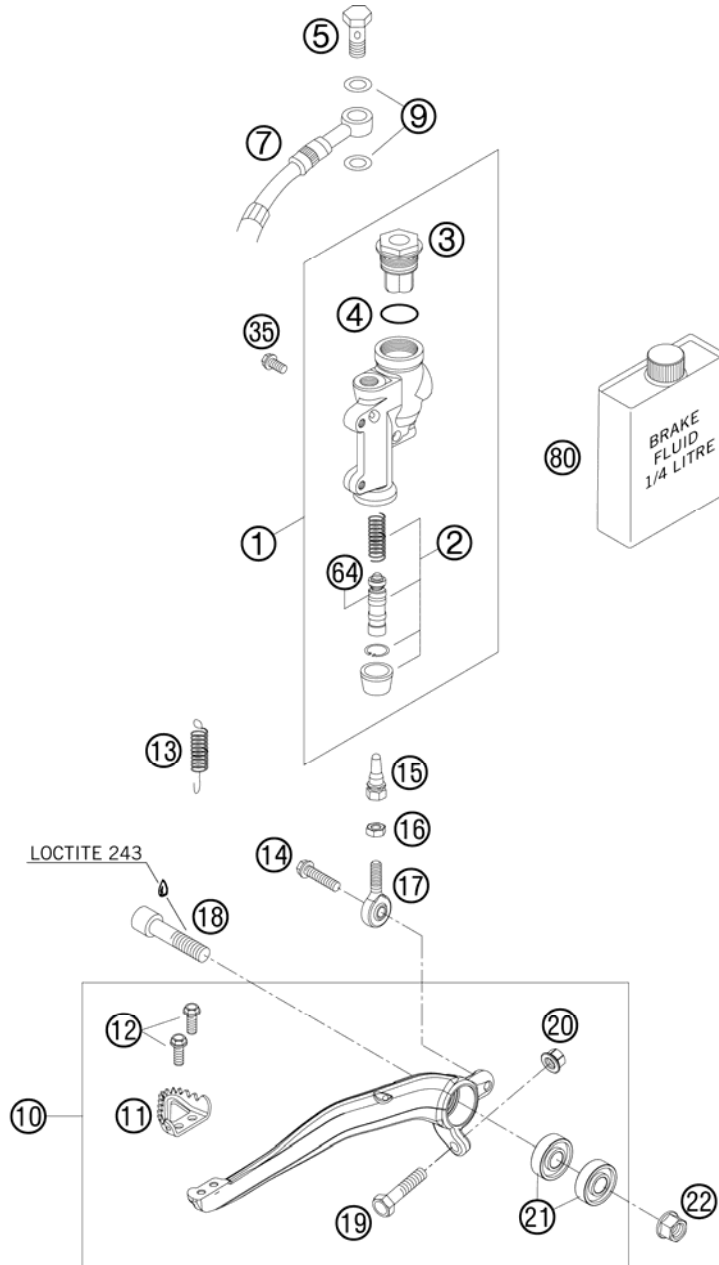
| FIG | PART NUMBER | DESCRIPTION                   | QTY |
|-----|-------------|-------------------------------|-----|
| 1   | 59413015200 | BRAKE CALIPER FRONT MAGURA 07 | 1   |
| 4   | 58413049000 | WASHER 10,2X20X2,5 MM 04      | 2   |
| 5   | 0025100559  | COLLAR SCREW M10X1,25X55 TX   | 2   |
| 6   | 59413030000 | BRAKE PAD SINTER 07           | 1   |
| 7   | 59413018000 | FIXING FOR BRAKE PAD 07       | 1   |
| 9   | 59413083000 | PISTON WITH GASKET MAGURA 07  | 1   |
| 10  | 59413021000 | SEAL RING KIT CPL. MAGURA 07  | 1   |
| 11  | 59413012000 | BRAKEHOSE FRONT 1160MM 07     | 1   |
| 13  | 50332062000 | HOLLOW SCREW CPL. M 10X1 '98  | 1   |
| 14  | 59413013050 | COPPER GASKET                 | x   |

087731360 / C087731360

\* NEW PART

X AS REQUIRED





| FIG | PART NUMBER | DESCRIPTION                   | QTY |
|-----|-------------|-------------------------------|-----|
| 1   | 54813060100 | REAR BRAKE CYLINDER CPL. 2004 | 1   |
| 2   | 54813061200 | REPAIR KIT PISTON 13MM 06     | 1   |
| 3   | 54813062100 | REAR BRAKE CYL. COVER CPL. 04 | 1   |
| 4   | 54813063000 | FOOT-BRAKE CYL. GASKET SX 03  | 1   |
| 5   | 54813020100 | HOLLOW SCREW BLACK M10X19     | 1   |
| 7   | 54813070000 | BRAKE HOSE REAR 655MM 03      | 1   |
| 9   | 0603100141  | COPPER GASKET DIN7603-10X14X1 | 2   |
| 10  | 77313050044 | FOOT BRAKE LEVER CPL. 07      | 1   |
| 11  | 54813051000 | STEP PLATE FOR BRAKE LEVER    | 1   |
| 12  | 0025050126  | HH COLLAR SCREW M5x12 TX30    | 2   |
| 13  | 54603062000 | RETURN SPRING FOR BRAKE LEVER | 1   |
| 14  | 0025060206  | HH COLLAR SCREW M6X20 TX30    | 1   |
| 15  | 54813056000 | PUSH ROD L=28MM 03            | 1   |
| 16  | 0985060003  | SELF LOCK. NUT DIN0985-M 6    | 1   |
| 17  | 54813055000 | SWIVEL HEAD KA6 03            | 1   |
| 18  | 0912100406  | AH SCREW DIN6912 M10X40 10.9  | 1   |
| 19  | 59001037000 | SPECIAL SCREW M8X26 WS=10     | 1   |
| 20  | 46030045000 | COLLAR NUT M8 WS=10           | 1   |
| 21  | 0625060002  | BALL BEARING SKF 6000-2RS1    | 2   |
| 22  | 54630044000 | COLLAR NUT M10 WS=13          | 1   |
| 35  | 0025060126  | HH COLLAR SCREW M6X12 TX30    | 2   |
| 64  | 54813064200 | BELLOWS FOR REPAIR KIT 06     | 1   |
| 80  | 00062030000 | BRAKE FLUID DOT5.1 0,25L      | 1   |

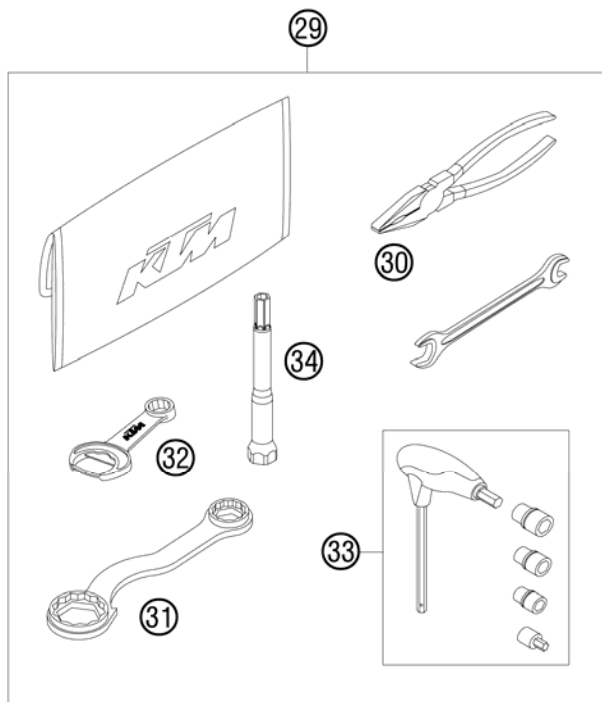
085031330 / C087801332

\* NEW PART

X AS REQUIRED

①  
OHNE ABBILDUNG  
WITHOUT ILLUSTRATION

①  
TECHNISCHE DOKUMENTATION  
TECHNICAL DOCUMENTATION  
DOCUMENTACION TECNICA  
DOCUMENTATION TECHNIQUE  
NOTE TECNICHE



| FIG | PART NUMBER   | DESCRIPTION                    | QTY |
|-----|---------------|--------------------------------|-----|
| 0   | 312305        | DOCUMENTS BAG 2006             | 1   |
| 0   | 312313        | KTM BALLPOINT ORANGE           | 1   |
| 0   | 3210039       | CUSTOMER WELCOME LETTER        | 1   |
| 0   | 5030314013390 | FOOTREST L.+R. CPL. 03         | 1   |
| 0   | 58511053000   | BATTERY 12V 4AH YTX5L-BS       | 1   |
| 0   | 59431096000   | INTERCEPTING TANK CPL. 2004    | 1   |
| 0   | 6000208010030 | HAND GUARD L/S CPL.W.FAST. 04  | 1   |
| 0   | 6000208110030 | HAND GUARD R/S CPL.W.FAST. 04  | 1   |
| 0   | 77303192000   | PROTECTIVE FILM FRAME LEFT 07  | 1   |
| 0   | 77303193000   | PROTECTIVE FILM FRAME RIGHT 07 | 1   |
| 0   | 77311053000   | BATTERY 12V 3AH YTX4L-BS       | 1   |
| 0   | 78011055000   | BATTERY CASING                 | 1   |
| 1   | 3211243       | OWNER MANUAL 450 SMR 2008      | 1   |
| 1   | 3CF8403HOEN   | SPM CHASSIS 450 SMR 2008       | 1   |
| 1   | 3CM089260HEN  | SPM ENGINE 450 SMR 2008        | 1   |
| 29  | 77329099000   | BORDTOOL 07                    | 1   |
| 30  | 53012028200   | GRIP ORANGE B&F                | 1   |
| 31  | 50329080000   | WRENCH WS=17/21/27/32          | 1   |
| 32  | 50329071000   | WRENCH WS=13/17                | 1   |
| 33  | 60029070200   | T-WRENCH WS=6/8/10 TX=45 B&F   | 1   |
| 34  | 77329072000   | SPARK PLUG WRENCH              | 1   |

087732000 / C087732004

\* NEW PART

X AS REQUIRED





KTM-Sportmotorcycle AG  
A-5230 Mattighofen  
[www.ktm.at](http://www.ktm.at)

KTM Group Partner



3CF8403H0EN



Art.Nr.: 3CF8403H0EN 9/2007

## Free Manuals Download Website

<http://myh66.com>

<http://usermanuals.us>

<http://www.somanuals.com>

<http://www.4manuals.cc>

<http://www.manual-lib.com>

<http://www.404manual.com>

<http://www.luxmanual.com>

<http://aubethermostatmanual.com>

Golf course search by state

<http://golfingnear.com>

Email search by domain

<http://emailbydomain.com>

Auto manuals search

<http://auto.somanuals.com>

TV manuals search

<http://tv.somanuals.com>