



**RMP-97-CRM**

INSTALLATION GUIDE FOR:

**1997 FULL SIZE PICK-UP,  
TAHOE and SUBURBAN**

Printed in U.S.A.

Form No. 128-5104

**PARTS LIST:**

| Item | Description                  | Qty. |
|------|------------------------------|------|
| 1    | Left Radio Mounting Bracket  | 1    |
| 2    | Right Radio Mounting Bracket | 1    |
| 3    | Plastic Push Pin             | 2    |
| 4    | #8 x 3/8" Sheet Metal Screw  | 4    |

**DASH DISASSEMBLY:**

1. With the gear selector in low, firmly pull away the trim panel from the dash.
2. Disconnect all dash switch wiring from panel and remove panel.

**RADIO PREPARATION:** (Fig. 1)

1. Attach left bracket (Item #1) to the left side of the radio using (1) plastic push pin (Item #3) at the rear mounting hole and (2) screws (Item #4) at the front mounting holes.
2. Attach right bracket (Item #2) to the right side of the radio using (1) plastic push pins (Item #3) at the top mounting holes and (2) screws (Item #4) at the front mounting holes.

**RADIO INSTALLATION:** (Fig. 2)

1. Complete all radio wiring connections including attachment of the antenna adaptor.
2. Place radio assembly into dash opening by sliding onto rails and pushing back until plastic retainer clips lock.
3. Perform a functional test on the radio to assure proper operation.
4. Re-assemble the dash.

**FIG. 1**

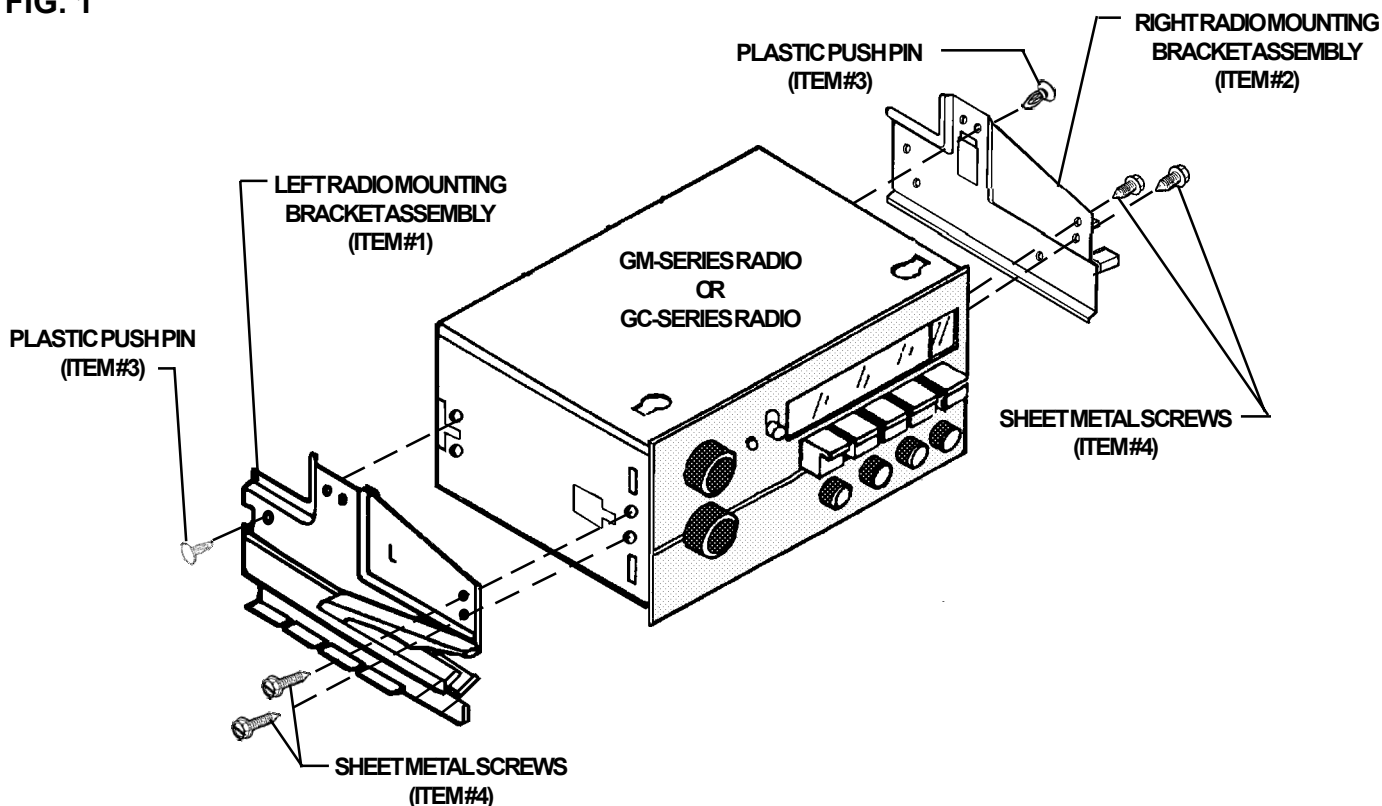


FIG. 2A

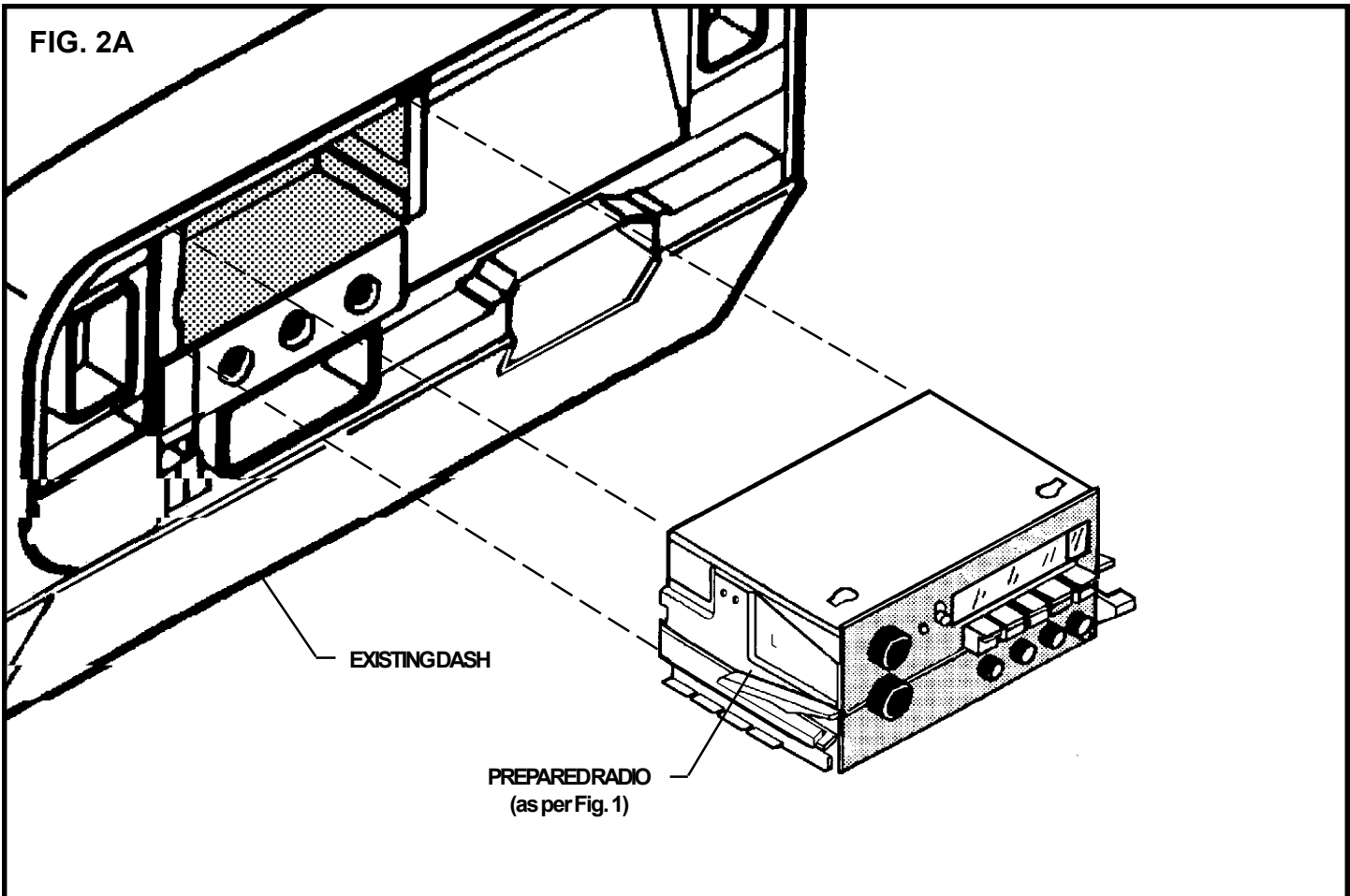
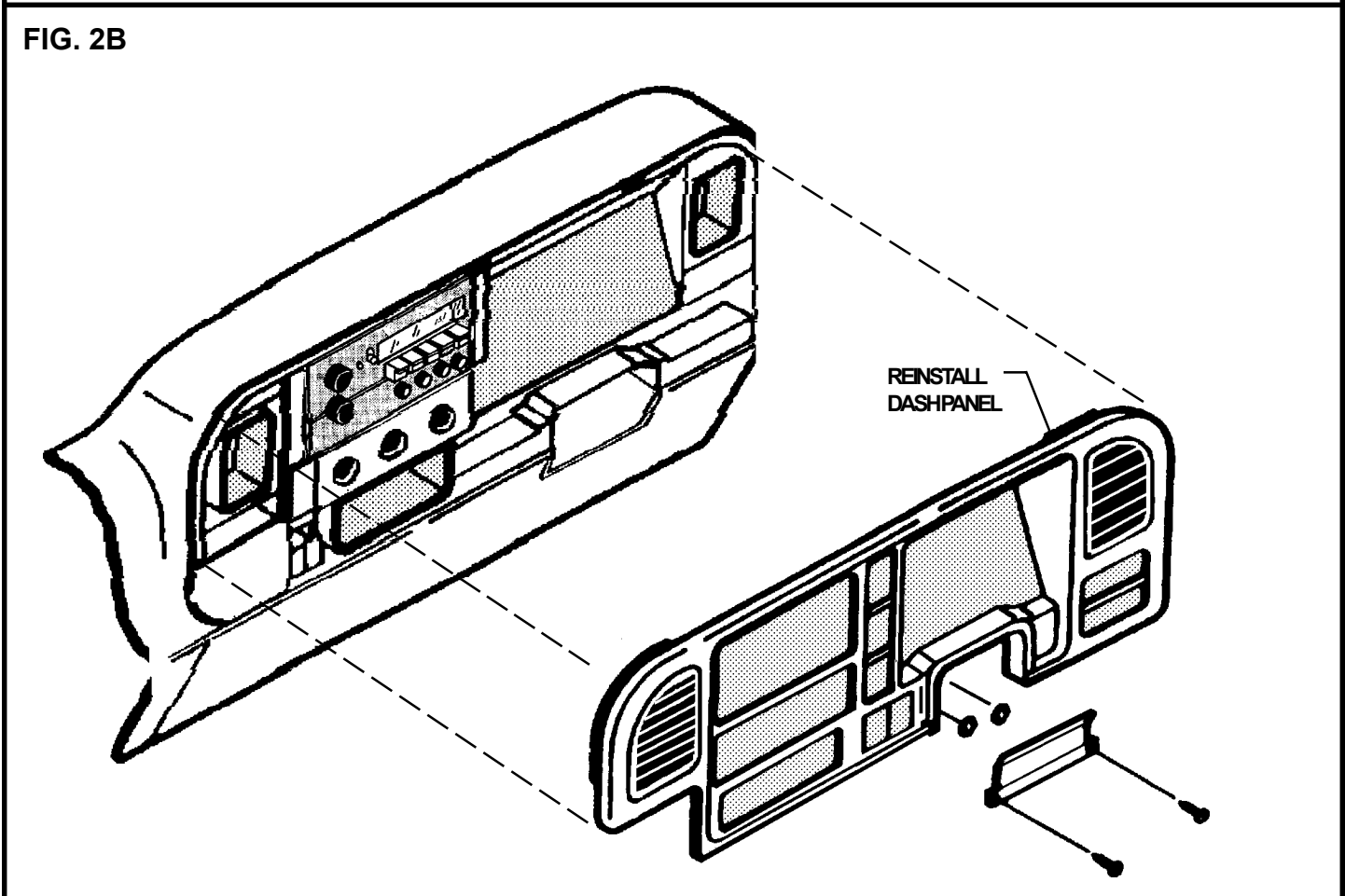


FIG. 2B



## Free Manuals Download Website

<http://myh66.com>

<http://usermanuals.us>

<http://www.somanuals.com>

<http://www.4manuals.cc>

<http://www.manual-lib.com>

<http://www.404manual.com>

<http://www.luxmanual.com>

<http://aubethermostatmanual.com>

Golf course search by state

<http://golfingnear.com>

Email search by domain

<http://emailbydomain.com>

Auto manuals search

<http://auto.somanuals.com>

TV manuals search

<http://tv.somanuals.com>