

## Package Contents



15", 17", or 19"  
LCD Rack Console



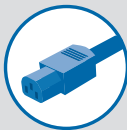
Bracket Kit



Bracket Screws



VGA, PS/2 Cable Kit



IEC Power Cable



Quick Installation  
Guide



Keys

### Introduction

This booklet will guide you through the basic steps needed to install the 15", 17", or 19" LCD Rack Console.

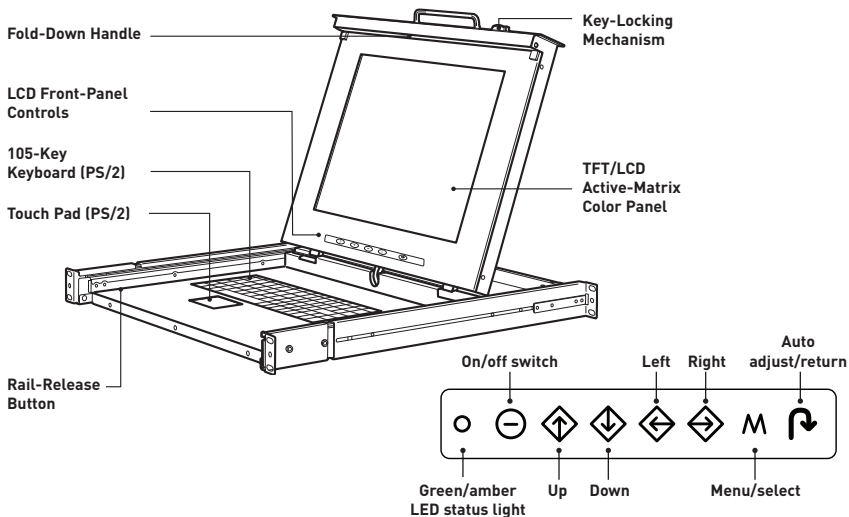
---

# Specifications

---

|                                 |  |
|---------------------------------|--|
| <b>Material</b>                 | Heavy-duty steel   |
| <b>Power</b>                    | Auto-switching<br>100 to 240VAC<br>50 to 60Hz<br>48 watts  |
| <b>Net Weight</b>               | 29.0 lbs. (13.2kg.) [F1DC100P-SR]<br>31.0 lbs. (14.1kg.) [F1DC101P-SR]<br>34.7 lbs. (15.7kg.) [F1DC102P-SR]  |
| <b>Unit Dimensions</b>          | 19 (W) x 21.7 (D) x 1.70 (H) in.<br>(482.6 x 551.2 x 43.18mm)<br>[F1DC100P-SR and F1DC101P-SR]<br><br>19 (W) x 23.6 (D) x 1.70 (H) in.<br>(482.6 x 599.4 x 43.18mm)<br>[F1DC102P-SR] |
| <b>Minimum Rack-Mount Depth</b> | 21.5 in. (546.1mm)<br>[F1DC100P-SR, F1DC101P-SR, and F1DC102P-SR]  |
| <b>Maximum Rack-Mount Depth</b> | 31.5 in. (800.1mm)<br>[F1DC100P-SR, F1DC101P-SR, and F1DC102P-SR]  |
| <b>Display Type</b>             | 15" TFT/LCD active-matrix color [F1DC100P-SR]<br>17" TFT/LCD active-matrix color [F1DC101P-SR]<br>19" TFT/LCD active-matrix color [F1DC102P-SR]                                      |
| <b>Resolution</b>               | Up to 1024x768 [F1DC100P-SR]<br>Up to 1280x1024 [F1DC101P-SR and F1DC102P-SR]  |
| <b>Contrast Ratio</b>           | 400:1 [F1DC100P-SR]<br>450:1 [F1DC101P-SR]<br>1000:1 [F1DC102P-SR]   |
| <b>Brightness</b>               | 250 cd/m <sup>2</sup> typical [F1DC100P-SR]<br>300 cd/m <sup>2</sup> typical [F1DC101P-SR and F1DC102P-SR]   |

|  |   |
|--|---|
| <b>Pixel Pitch</b>                       | 0.297mm [F1DC100P-SR]<br>0.264mm [F1DC101P-SR]<br>0.294mm [F1DC102P-SR]   |
| <b>Panel Color</b>                       | 16.0 million display colors [F1DC100P-SR]<br>16.2 million display colors [F1DC101P-SR]<br>16.7 million display colors [F1DC102P-SR] |
| <b>Response Time</b>                     | Rising 5ms, Falling 13ms [F1DC100P-SR]<br>Rising 3ms, Falling 10ms [F1DC101P-SR]<br>Rising 1.3ms, Falling 3.7ms [F1DC102P-SR]       |
| <b>Keyboard Type</b>                     | Laptop style  |
| <b>Keyboard Connection</b>               | PS/2  |
| <b>Mouse Type</b>                        | Touchpad style  |
| <b>Mouse Connection</b>                  | PS/2  |
| <b>Operating Life of Individual Keys</b> | 8 million cycles  |



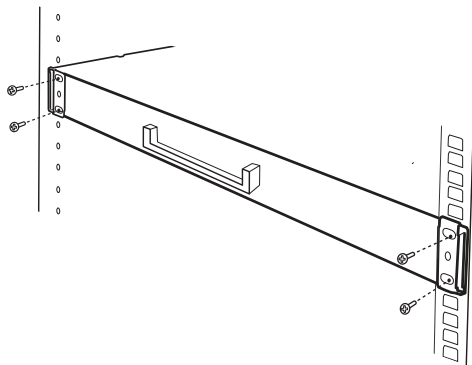
---

# Installation

---

**Step 1:** Place the console inside the rack.

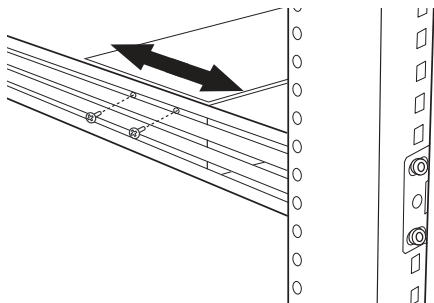
**Step 2:** Mount the front brackets to the rack.



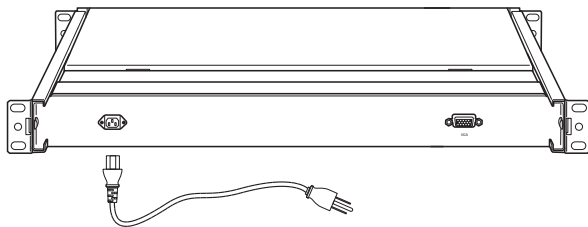
**Step 3:** Connect the rear brackets to the Console with the provided screws.

**Step 4:** Adjust the length of the rack-mount brackets.

**Step 5:** Lock the adjustable brackets by tightening the rear screws.



**Step 6:** Connect the IEC power cable to an active power outlet and power up the Console.



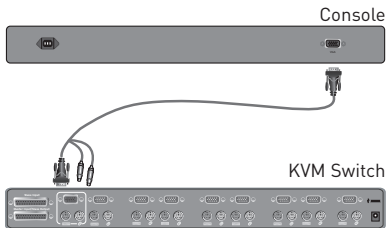
---

# Connecting the KVM Switch or Server

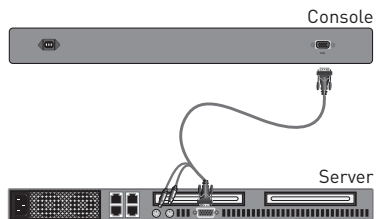
---

- Step 1** Make sure your KVM switch or server is powered OFF.
- Step 2** Using the included PS/2 KVM Cable Kit, connect one set of VGA and PS/2 connectors to the back of the Console. (Refer to diagrams below.)
- Step 3** Connect the other end of the Cable Kit to the console monitor, keyboard, and mouse ports on your KVM switch or server. (Refer to diagrams below.)
- Step 4** Power ON the Console.
- Step 5** Power ON the KVM switch or server connected to the Console.

**Step 2**  
Connecting to a KVM switch



**Step 3**  
Connecting to a server



**You are now ready to use your LCD Rack Console.**

**The Console offers two power on/off methods:**

- a power switch on the rear, and
- an LCD power-save (with drawer closure).

---

# Troubleshooting

---

## **My Console doesn't appear to be on.**

Make sure that the power switch located at the front of the keyboard drawer is “on” and that the power cable is connected properly.

## **What is the maximum video resolution that the LCD panel supports?**

The LCD panel supports a resolution of up to 1024x768 (F1DC100P-SR) and 1280x1024 (F1DC101P-SR and F1DC102P-SR).

## **Do I have to install any software to use the Console?**

No, the Console does not require any drivers or software to be installed in your computers. Simply connect the Console directly to a computer or to a KVM switch, and it is ready for use.



# BELKIN®

## 15", 17", or 19" LCD Rack Console

# BELKIN®

[www.belkin.com](http://www.belkin.com)

### **Belkin Tech Support**

US: 800-223-5546, ext. 2263

310-898-1100, ext. 2263

UK: 0845 607 77 87

Australia: 1800 235 546

New Zealand: 0800 235 546

Singapore: 65 64857620

Europe: [www.belkin.com/support](http://www.belkin.com/support)

### **Belkin International, Inc.**

501 West Walnut Street

Los Angeles, CA 90220, USA

310-898-1100

310-898-1111 fax

### **Belkin Ltd.**

Express Business Park, Shipton Way

Rushden, NN10 6GL, United Kingdom

+44 (0) 1933 35 2000

+44 (0) 1933 31 2000 fax

### **Belkin B.V.**

Boeing Avenue 333

1119 PH Schiphol-Rijk, The Netherlands

+31 (0) 20 654 7300

+31 (0) 20 654 7349 fax

### **Belkin Ltd.**

4 Pioneer Avenue

Tuggerah Business Park

Tuggerah, NSW 2259, Australia

+61 (0) 2 4350 4600

+61 (0) 2 4350 4700 fax

© 2008 Belkin International, Inc. All rights reserved. All trade names are registered trademarks of respective manufacturers listed.

P75623-B

**BELKIN®**

15", 17", or 19"  
LCD Rack Console

**Start Here →**



**Quick Installation Guide**

F1DC100P-SR  
F1DC101P-SR  
F1DC102P-SR

## Free Manuals Download Website

<http://myh66.com>

<http://usermanuals.us>

<http://www.somanuals.com>

<http://www.4manuals.cc>

<http://www.manual-lib.com>

<http://www.404manual.com>

<http://www.luxmanual.com>

<http://aubethermostatmanual.com>

Golf course search by state

<http://golfingnear.com>

Email search by domain

<http://emailbydomain.com>

Auto manuals search

<http://auto.somanuals.com>

TV manuals search

<http://tv.somanuals.com>