





belkin.com

**Belkin Corporation**

501 West Walnut Street  
Compton • CA • 90220 • USA  
Tel: 310.898.1100  
Fax: 310.898.1111

**Belkin Components, Ltd.**

Express Business Park  
Shipton Way • Rushden • NN10 6GL  
United Kingdom  
Tel: +44 (0) 1933 35 2000  
Fax: +44 (0) 1933 31 2000

**Belkin Components B.V.**

Starparc Building • Boeing Avenue 333  
1119 PH Schiphol-Rijk • The Netherlands  
Tel: +31 (0) 20 654 7300  
Fax: +31 (0) 20 654 7349

**Belkin, Ltd.**

7 Bowen Crescent • West Gosford  
NSW 2250 • Australia  
Tel: +61 (0) 2 4372 8600  
Fax: +61 (0) 2 4372 8603

**Belkin Tech Support**

US: 310.898.1100 ext. 2263  
800.223.5546 ext. 2263  
Europe: 00 800 223 55 460  
Australia: 1800 666 040

© 2003 Belkin Corporation. All rights reserved.

All trade names are registered trademarks of respective manufacturers listed.

P74200



# Hi-Speed USB 2.0 DVD Creator

*Capture video from your camcorder,  
PC camera, and VCRs*



**User Manual**

F5U228

## TABLE OF CONTENTS

Introduction .....	1
Overview	
Features .....	2
Specifications .....	2
Recommended System Requirements .....	3
Installation .....	4
Video Capture Quick Start .....	6
Information .....	8

## INTRODUCTION

### **Welcome to Belkin USB Hi-Speed Connectivity!**

Congratulations and thank you for purchasing the Belkin Hi-Speed USB 2.0 DVD Creator.

Now you can easily capture video from camcorders, VCRs, and other analog video sources, as well as add professional-quality titles, soundtracks, and stunning effects to your videos. The DVD Creator lets you share your movies on tape, through e-mail, the Web, or as high-quality DVDs or VCDs. You can now create disks you can play on home DVD players or on computers with DVD playback software, and it features CD- and DVD-burner hardware support.

## OVERVIEW

### Features

- Compliance with Hi-Speed USB 2.0 specifications
- True “Plug and Play” performance
- Compatible with composite video and S-video devices
- Supports NTSC, PAL, and SECAM video inputs
- Supports 30 frames per second at resolutions of 352x240, 640x480, and 720x480
- Supports high-resolution, still-image capture at 640x480

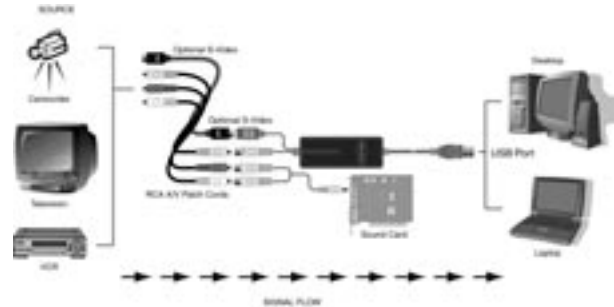
### Specifications

- Video Input: Composite and S-Video
- Video Capture Size: 160x120, 320x240, 640x480, and 720x480
- Power Source: Self-powered through USB port, +5VDC @ 240mA max.
- Software Interface: Microsoft® WDM, Twain interface
- Signal Input Connectors:
  - Composite Video—Industry-standard RCA jack
  - S-Video—Industry-standard female S-video connector

## OVERVIEW

### Recommended System Requirements

- 1GHz Pentium® 4 processor or equivalent
- Available Hi-Speed USB 2.0 port
- Windows® 2000 or XP
- 128MB RAM
- 500MB of free hard-disk space
- CD-ROM drive
- Sound card, speaker, and microphone required for audio recording



## INSTALLATION

**Important Note: Please install the F5U228 device driver before connecting the F5U228 to your computer.**

### Windows XP/2000

1. Insert the F5U228 Driver Installation CD into your CD-ROM drive. After a few moments, the CD will auto-start and the main menu will appear. Click the "Install Driver" button to install the required F5U228 device drivers.
2. The InstallShield Wizard will now launch and the driver installation process begins. Click "Next".
3. The software license screen will now be displayed. Click "Yes" to accept the terms of the license agreement and to proceed with installation.
4. The InstallShield Wizard will prompt you to enter a location for "USB 2.0 Image". Click "Next" to choose the default location.
5. Click "Finish" to complete the driver installation procedure.
6. Plug the F5U228 into a Hi-Speed USB 2.0-compliant USB port.
7. The F5U228 will be detected and the New Hardware Wizard will launch.

*Note: In Windows XP, the remainder of the installation process is automated. No further user input is required.*

**In Windows 2000, a "Digital Signature Not Found" screen may be displayed. If so, click "Yes" to continue.**

## INSTALLATION

8. To confirm that the F5U228 has been properly installed, check the Windows Device Manager:
  - a. Right-click on "My Computer".
  - b. Select "Properties".
  - c. Select the "Hardware" tab and click on the "Device Manager" button.
  - d. Click the plus sign (+) next to "Imaging Devices". You should now see an entry for "Hi-Speed USB 2.0 DVD Creator".

*Note: The following steps assume that a composite video cable is being used to connect your video source to the F5U228.*

9. After hardware installation is finished, connect a composite video cable between the F5U228 and to the video-out connector of your source device.
10. Connect the stereo mini-plug of the supplied audio adapter cable to the audio-out jack on your sound card. Then connect a stereo audio cable between the audio adapter and the audio-input jacks of your source device.
11. Hardware installation is now complete.
12. Click the "Install VideoStudio 6" button on the F5U228 installation CD main menu, and follow the instructions provided by the installer.
13. Before capturing your first movie clip, it is recommended that you either view or print the VideoStudio user guide. Select the "VideoStudio User Guide" button located on the F5U228 installation CD main menu. The manual is stored on your installation CD in PDF format.

## VIDEO CAPTURE QUICK START

1. Launch VideoStudio.
2. Select "Start" from the command bar on top of the VideoStudio display screen.
3. Click the "New Project" icon then select a capture template from the template list. For this example we'll choose "NTSC VCD".
4. Click "OK" to complete the capture template selection process and move to the "Capture" screen.
5. Make sure that "Hi-Speed USB 2.0 DVD Creator" is displayed in the driver window found on the left-hand side of the VideoStudio display screen.
6. Start your video source. The source material should now be displayed in the VideoStudio preview window. If the source material includes an audio track, you should also hear audio at this time.
7. When you wish to begin capturing the source material, click the "Capture Video" icon found in the upper left-hand corner of the VideoStudio display screen.

**Important Note:** *During the video-capture process, microprocessor priority is given to recording of the source material. Video displayed in the preview window may appear jerky with horizontal imperfections. The final rendered movie clip will not display these imperfections.*

8. Click the "Capture Video" icon a second time when you wish to terminate the capture process.
9. A movie icon will now appear in the filmstrip located on the bottom of the VideoStudio display screen. Double-click the movie icon to open your movie clip in the VideoStudio preview window.
10. You may now use the editing and customization features of VideoStudio to add effects and/or edit your movie clip. See the detailed VideoStudio reference guide included on the F5U228 installation CD for further information.
11. When you are ready to produce the final movie clip, select "Finish" from the command bar on the top of the VideoStudio display screen.

## VIDEO CAPTURE QUICK START

12. At this point, you may choose to create a video file to display on your computer, or produce a Video CD (VCD). For this example, we will produce a Video CD.
13. Click the "Create VCD" icon located on the left-hand side of the VideoStudio display screen. Enter the file name "VCD sample" in the "Save File" dialog box.
14. The "Ulead DVD Plug-in - Start" screen will be displayed. Select "Next" to continue.
15. The "Ulead DVD Plug-in - Add Scene" screen will be displayed. Click "Next" to continue.

*Note: At any time during the VCD authoring process, you may click the "Help" button to access a context-sensitive help file. The F5U228 installation CD also includes a detailed VideoStudio user manual in PDF format.*

16. Select a menu template from the "Ulead DVD Plug-in - Select Menu Template" screen. Click "Next" to continue.
17. You may now use the "Ulead DVD Plug-in - Playback Simulation" screen to view a simulation of your final VCD. Click "Next" to continue.
18. Use the "Ulead DVD Plug-in - Determine Output Options Settings" screen to ready your CD-RW or DVD-RW drive for the recording process. Click "Next" to continue.
19. The "Ulead DVD Plug-in - Finish" screen will now be displayed. You may choose to burn your VCD at this time, or to create a disk image file. For this example, choose the default setting of "Record to CD". Insert a blank, recordable CD into your CD-RW drive, then choose "Create VCD".
20. When the burn process is completed, the finished VCD will be ejected from your CD-RW drive. Click "OK" then click "Finish".
21. The finished VCD is now ready to be played in your home DVD player, or on your computer if you have DVD-viewing software installed.

## INFORMATION

### FCC Statement

#### DECLARATION OF CONFORMITY WITH FCC RULES FOR ELECTROMAGNETIC COMPATIBILITY

We, Belkin Corporation, of 501 West Walnut Street, Compton, CA 90220, declare under our sole responsibility that the product:

F5U228

to which this declaration relates:

Complies with Part 15 of the FCC Rules. Operation is subject to the following two conditions: (1) this device may not cause harmful interference, and (2) this device must accept any interference received, including interference that may cause undesired operation.

### CE Declaration of Conformity

We, Belkin Corporation, declare under our sole responsibility that the F5U228, to which this declaration relates, is in conformity with Generic Emissions Standard EN 55022:1998 Class B, EN50081-1 and with Generic Immunity Standard EN50082-1 1992.

### Belkin Corporation Limited Lifetime Product Warranty

Belkin Corporation warrants this product against defects in materials and workmanship for its lifetime. If a defect is discovered, Belkin will, at its option, repair or replace the product at no charge provided it is returned during the warranty period, with transportation charges prepaid, to the authorized Belkin dealer from whom you purchased the product. Proof of purchase may be required.

This warranty does not apply if the product has been damaged by accident, abuse, misuse, or misapplication; if the product has been modified without the written permission of Belkin; or if any Belkin serial number has been removed or defaced.

THE WARRANTY AND REMEDIES SET FORTH ABOVE ARE EXCLUSIVE IN LIEU OF ALL OTHERS, WHETHER ORAL OR WRITTEN, EXPRESSED OR IMPLIED. BELKIN SPECIFICALLY DISCLAIMS ANY AND ALL IMPLIED WARRANTIES, INCLUDING, WITHOUT LIMITATION, WARRANTIES OF MERCHANTABILITY AND FITNESS FOR A PARTICULAR PURPOSE.

No Belkin dealer, agent, or employee is authorized to make any modification, extension, or addition to this warranty.

BELKIN IS NOT RESPONSIBLE FOR SPECIAL, INCIDENTAL, OR CONSEQUENTIAL DAMAGES RESULTING FROM ANY BREACH OF WARRANTY, OR UNDER ANY OTHER LEGAL THEORY, INCLUDING BUT NOT LIMITED TO LOST PROFITS, DOWNTIME, GOODWILL, DAMAGE TO OR REPROGRAMMING, OR REPRODUCING ANY PROGRAM OR DATA STORED IN OR USED WITH BELKIN PRODUCTS.



## Free Manuals Download Website

<http://myh66.com>

<http://usermanuals.us>

<http://www.somanuals.com>

<http://www.4manuals.cc>

<http://www.manual-lib.com>

<http://www.404manual.com>

<http://www.luxmanual.com>

<http://aubethermostatmanual.com>

Golf course search by state

<http://golfingnear.com>

Email search by domain

<http://emailbydomain.com>

Auto manuals search

<http://auto.somanuals.com>

TV manuals search

<http://tv.somanuals.com>