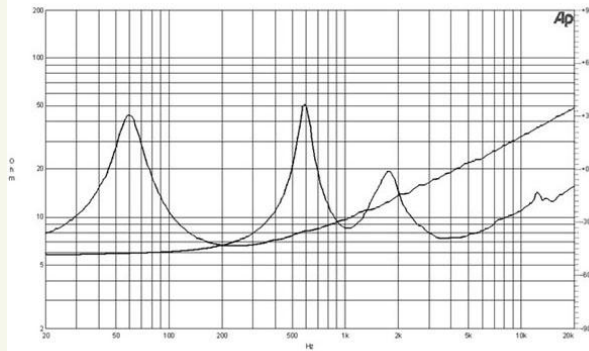
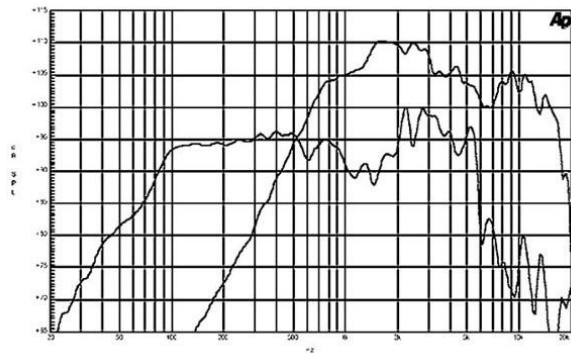




# 12NCX | Coaxials

400 W continuous program power capacity  
 70° nominal coverage  
 60 – 18000 Hz response  
 96 dB sensitivity  
 Single Neodymium magnet assembly  
 XO-6 dedicated crossover network



LF Drivers | Coaxials | HF Drivers | Horns

## Specifications

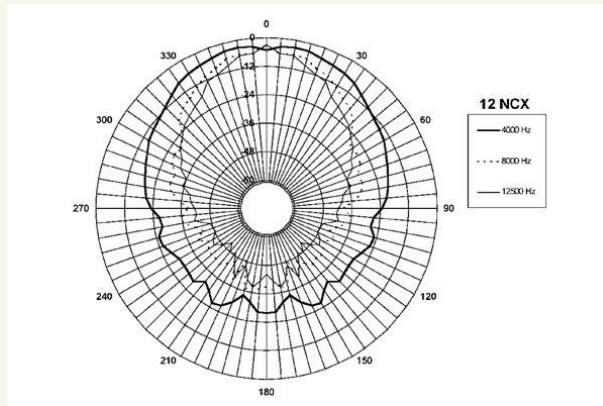
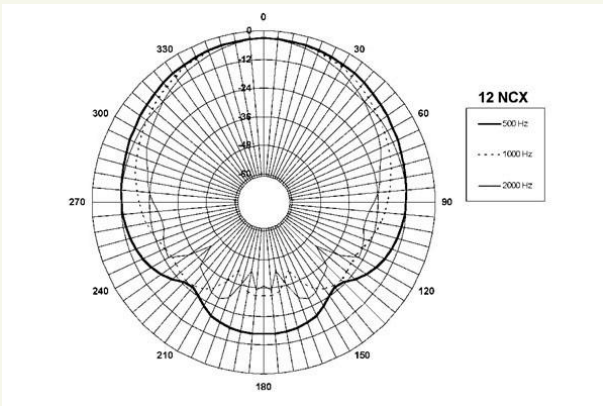
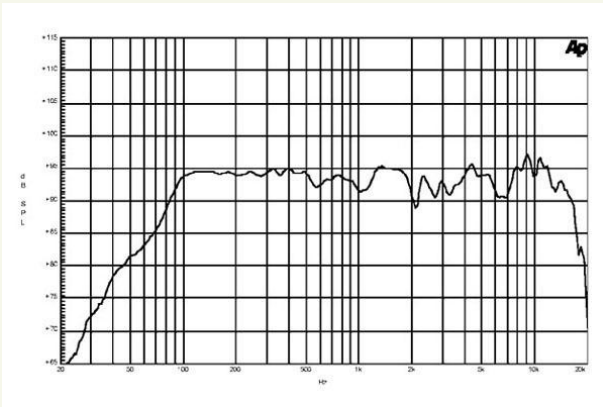
|                               |                |
|-------------------------------|----------------|
| Nominal Diameter              | 320 mm (12 in) |
| Nominal Impedance             | 8 ohm          |
| Minimum Impedance             | 6.6 ohm (LF)   |
|                               | 7.3 ohm (HF)   |
| Frequency Range               | 60 - 18000 Hz  |
| Dispersion Angle (1)          | 70°            |
| LF Unit                       |                |
| Sensitivity (1W/1m) (2)       | 96 db          |
| Nominal Power Handling (3)    | 200 W          |
| Continuous Power Handling (4) | 400 W          |
| Voice Coil Diameter           | 65 mm (2.5 in) |
| Winding Material              | Aluminium      |
| HF Unit                       |                |
| Sensitivity (1W/1m) (5)       | 106 dB         |
| Nominal Power Handling (6)    | 50 W           |
| Continuous Power Handling (7) | 100 W          |
| Voice Coil Diameter           | 65 mm (2.5 in) |
| Winding Material              | Aluminium      |
| Diaphragm Material            | Titanium       |
| Recom. Crossover (8)          | 1.2 kHz        |

## Parameters

|          |                    |
|----------|--------------------|
| Fs       | 59 Hz              |
| Re       | 5.8 ohm            |
| Qes      | 0.58               |
| Qms      | 4.2                |
| Qts      | 0.51               |
| Vas      | 64 dm3 (2.3 ft3)   |
| Sd       | 522 cm2 (80.9 in2) |
| Eta Zero | 2.2 %              |
| Xmax     | +/- 3 mm           |
| Xvar     | +/- 6 mm           |
| Mms      | 44 g               |
| Bl       | 12.8 Txm           |
| Le       | 1.2 mH             |

## Mounting and Shipping Info

|                             |                                  |
|-----------------------------|----------------------------------|
| Overall Diameter            | 316 mm (12.4 in)                 |
| Bolt Circle Diameter        | 296 mm (11.6 in)                 |
| Baffle Cutout Diameter      | 284 mm (11.2 in)                 |
| Depth                       | 167 mm (6.6 in)                  |
| Flange and Gasket Thickness | 13 mm (0.5 in)                   |
| Net Weight                  | 4.1 kg (9.0 lb)                  |
| Shipping Weight             | 5.0 kg (11.0 lb)                 |
| Shipping Box                | 380x380x240 mm<br>(15x15x9.4 in) |



## Crossover

|                     |                                       |
|---------------------|---------------------------------------|
| Model               | XO-6                                  |
| Filter Type         | Two way                               |
| Nominal Impedance   | 8 Ohm                                 |
| Crossover Frequency | 1.5 kHz                               |
| Slope               | 12 dB/oct. (Low)<br>12 dB/oct. (High) |
| Overall Dimensions  | 117x105 mm (4.6x4.1 in)               |
| Weight              | 0.5 kg (1.1 lb)                       |

<sup>1</sup>Included by -6 dB down points, averaged from 1 kHz to 8 kHz with B&C XO-6 crossover filter.

<sup>2</sup>Applied RMS Voltage is set to 2.83V for 8 ohms Nominal Impedance.

<sup>3</sup>2 hours test made with continuous pink noise signal (6 dB crest factor) within the specified range . Power calculated on rated minimum impedance. Loudspeaker in free air.

<sup>4</sup>Power on Continuous Program is defined as 3 dB greater than the Nominal rating.

<sup>5</sup>Applied RMS Voltage is set to 2.83V for 8 ohms Nominal Impedance.

<sup>6</sup>2 hours test made with continuous pink noise signal (6 dB crest factor) within the specified range . Power calculated on rated minimum impedance. Loudspeaker in free air.

<sup>7</sup>Power on Continuous Program is defined as 3 dB greater than the Nominal rating.

<sup>8</sup>12 dB/oct. or higher slope high-pass filter.



## Free Manuals Download Website

<http://myh66.com>

<http://usermanuals.us>

<http://www.somanuals.com>

<http://www.4manuals.cc>

<http://www.manual-lib.com>

<http://www.404manual.com>

<http://www.luxmanual.com>

<http://aubethermostatmanual.com>

Golf course search by state

<http://golfingnear.com>

Email search by domain

<http://emailbydomain.com>

Auto manuals search

<http://auto.somanuals.com>

TV manuals search

<http://tv.somanuals.com>