

AEG

Hob

25742 GM

Use and installation instructions 



For Your Safety

These instructions have been drawn up for your safety and that of others. You are therefore requested to read them carefully before installing and using the appliance. Keep this instruction manual for future reference as necessary. If the appliance is sold or moved, make sure that the manual is handed over to the new user.

If you are unsure of any of these warnings or instructions please contact our Customer Care Department on 08705 350350.

Installation

- Installation of the appliance and its connection to the electrical mains **must only be carried out by QUALIFIED STAFF. Before** any procedure, it is important to check that the appliance is **DISCONNECTED** from the electrical mains.
- Any gas installation must be carried out by a registered CORGI installer.
- It is risky to modify or attempt to modify the characteristics of this product.
- After removing the appliance from the packaging, make sure that it is undamaged and that the electrical lead is in perfect condition. Otherwise, contact your dealer before putting the appliance into operation.
- The Manufacturer declines all responsibility in case of failure to comply with the manufacturer's instructions and to the relevant British Standards.
- Make sure that air is able to circulate freely around the appliance. Poor ventilation produces a shortage of oxygen.
- Make sure that the appliance is supplied with the type of gas indicated on the relative sticker next to the mains gas connection pipe.
- **Use of a gas cooking appliance produces heat and moisture in the room in which it is installed. Ensure that the room is well ventilated by keeping the air intakes open and in good working order or by installing an extractor hood with a discharge pipe.**
- **If the appliance is used intensively for a long time the effectiveness of the ventilation will have to be increased, for example by opening a window or increasing the power of any electric extractor fan.**

During use

- This hob is intended for domestic cooking only. It is not designed for commercial or industrial purposes.
- After using the appliance, make sure that all controls are in the "OFF" position.
- When using other electrical appliances, ensure the cable does not come into contact with the hot surfaces of the cooking appliance.
- Unstable or misshapen pans should not be used on the hob as unstable pans can cause an accident by tipping or spillage.
- Never leave the hob unattended when cooking with oil and fats.
- Never use plastic or aluminium foil dishes on the hob.
- Perishable food, plastic items and aerosol may be affected by heat and should not be stored above or below the hob unit.
- Do not use this hob if it is in contact with water. Do not operate the hob with wet hands.

Child safety

- This hob is designed to be operated by adults. Do not allow children to play near or with the hob.
- The hob gets hot when it is in use. Children should be kept away until it has cooled.
- Children can also injure themselves by pulling pans or pots off the hob.

Cleaning and maintenance

- Keep the appliance thoroughly cleaned. Food residues may cause fire risks.

Service and Spare Parts

• In the instance of malfunctions, never attempt to repair the appliance yourself. Repairs by unskilled persons may cause damage and accidents. First refer to the contents of this manual. If you do not find the necessary information, contact your nearest Service Centre. Servicing work on this appliance must be carried out by an authorized Technical Service Centre. Always request the use of original spare parts.



Environmental Information

- All the materials used are environmentally compatible and recyclable.

Contact your Local Council or Environmental Health Office to see if there are facilities in your area to recycle the appliance.

Decommissioned appliances

- Appliances which are no longer used or usable are not worthless waste. Through environment-friendly disposal, a number of materials used in the production of your appliance can be recovered.
- **Before scrapping the appliances, cut the power supply lead and make it unusable.**
- **Keep this instruction book for future reference and ensure it is passed on to any new owner.**

These instructions only apply for the countries of destination whose identification symbols appear on the cover of the instruction manual and on the appliance .

Contents

For the User

For Your Safety	3
Description of the hob	6
Instructions for use.....	6
Cleaning and maintenance	8

For the Installation Technician

Technical data	12
Instructions for the installation technician	13
Electrical connection	15
Adapting to the different types of gas.....	16
Building into fitted kitchen units.....	17

Guide to reading the instructions

The following symbols will help you when reading the instructions:



Safety information



"Step by step" instructions



Suggestions and Advice



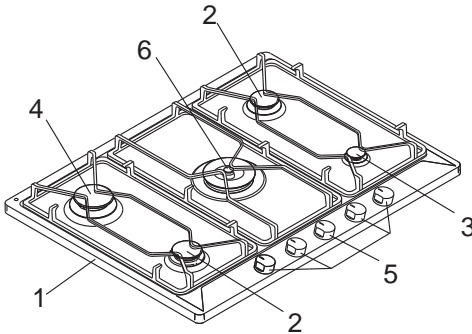
Information concerning environmental protection



This appliance complies with the following EEC Directives:

- 73/23 and 90/683 (relating to Low Voltage);
- 89/336 (relating to Electromagnetic Compatibility);
- 90/396 (relating to Gas Appliances)
- 93/68 (relating to the General Standards) and subsequent amendments.

Description of the hob



1.Hob

2.Medium semi-rapid burner

3.Small auxiliary burner

4.Large rapid burner

5.Burner control knobs

6.Triple flame burner

Instructions for use





Once the hob has been installed, it is important to remove any protective materials, which were put on in the factory.

The hob control knobs

The symbols on the control knobs mean the following:

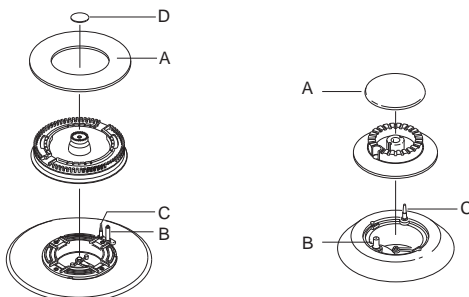
● no gas flow

 maximum gas flow

 minimum gas flow

All operating positions must be set between the maximum and minimum flow settings, and never between the maximum setting and the closed position.

Fig. 1




A-Burner cap


B-Lighting plug

C- Thermocouple


D-Triple flame cap

Lighting the burners

 To obtain a flame more easily, light the burner before placing a cooking utensil on the pan stand.

 To light a burner, proceed as follows: for version with lighting integrated in the control knob, push the knob of the burner fully down and turn it anticlockwise to the "maximum flow" setting symbol, or press the button if the appliance has individual lighting.

- After lighting the flame, keep the knob pressed for about 10 seconds; this time is necessary to heat up the "thermocouple" (Fig. 1-C) and activate the safety valve, which would otherwise cut off the gas flow.

 Then **check that the flame is even** and turn the control knob to adjust the flame as required.

In the instance of a power cut, place a flame near the burner and proceed as already described.

If the flame does not light after a few attempts, check that the "burner cap" and "flame cap" are correctly positioned.

To turn off the flame, turn the control knob clockwise to the ● symbol.


Before removing pans from the burners, always lower or turn off the flame.

Correct use of the hob

For lower gas consumption and to ensure maximum burner efficiency, you should only use pots and pans with a flat bottom fitting the size of the burner used (see table). Also, as soon as a liquid comes to the boil take care to turn the flame down to a level that will just keep it boiling.

Burner	minimum diameter	maximum diameter
Large (rapid)	180 mm.	220 mm.
Medium (semi-rapid)	120 mm.	200 mm.
Small (Auxiliary)	80 mm.	160 mm.
Triple Flame	220 mm.	260 mm.

 **When cooking with fats or oils, do not leave the pan unattended because these substances may catch fire if brought to high temperatures.**

 **If the control knobs become difficult to turn, please contact your local Service Force Centre.**

Cleaning and maintenance



Before any maintenance or cleaning can be carried out, you must DISCONNECT the hob from the electricity supply.

The hob is best cleaned whilst it is still warm, as spillage can be removed more easily than if it is left to cool.

General cleaning

Wash enamelled parts with lukewarm water and detergent; do not use abrasive products which might damage them.

Wash the flame caps and burner caps often with boiling water and detergent, taking care to remove all deposits.

The hob pan stands can also be washed in a dishwasher.

For stubborn dirt, use ordinary non-abrasive detergents or specific commercial products.

We strongly advise you not to use scouring pads, steel wool or acids for cleaning.

Hob

Clean the hob regularly with a soft cloth wet with lukewarm water and a little liquid detergent. Do not use the following products:

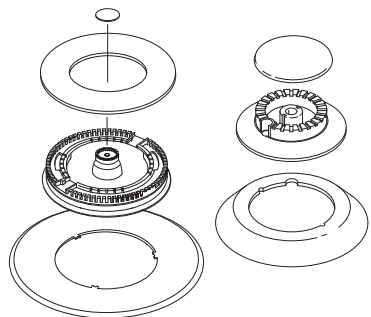
- household detergents or bleaches;
- soaped scouring pads not suitable for non-stick utensils;
- steel wool scouring pads;
- stain removers for baths or sinks.

Should the hob top become heavily soiled, it is recommended that a cleaning product such as Hob Brite or Bar Keepers Friend is used.

Ignition plug

Automatic burner ignition is provided (when installed) by a ceramic "plug" and a metal electrode (B in fig. 1). Periodically clean these parts of the hob thoroughly. In addition, to avoid ignition difficulties, check that the cavities in the burner are not obstructed.

To remove deposits from the burner cavities, remove the cap and separate the two parts (see diagram on the right). After cleaning, put the two parts back together and return them correctly to their position. After washing, replace the hob pan stands, checking that they are correctly positioned.



Something Not Working

If the hob is not working correctly, please carry out the following checks before contacting your local AEG Service Force Centre.

SYMPTOM	SOLUTION
<ul style="list-style-type: none">• There is no spark when lighting the gas	<ul style="list-style-type: none">• Check that the unit is plugged in and the electrical supply is switched on• Check that the RCCB has not tripped (if fitted)• Check the mains fuse has not blown• Check the burner cap and crown have been replaced correctly, e.g. after cleaning.
<ul style="list-style-type: none">• The gas ring burns unevenly	<ul style="list-style-type: none">• Check the main jet is not blocked and the burner crown is clear of food particles.• Check the burner cap and crown have been replaced correctly, e.g. after cleaning.

If after all these checks, your hob still does not operate correctly, contact your local AEG Service Force Centre.

Please note that it will be necessary to provide proof of purchase for any in-guarantee service calls.

In-guarantee customers should ensure that the above check have been made as the engineer will make a charge if the fault is not a mechanical or electrical breakdown.

Service and Spare Parts

If you require spare parts or an engineer contact your local Service Force Centre by

0870 5 929 929

Your call will be routed to your local Service Force Centre.

When you contact the Service Centre, they will need the following information:

1. Your name, address and post code.
2. Your telephone number
3. Clear and concise details of the fault
4. The model and the serial number (see rating label on the back of this instruction booklet)
5. Date of purchase

CUSTOMER CARE

For general enquiries concerning your AEG appliance and for further information on AEG products, contact our Customer Care Department by letter or telephone at the address below or visit our website at www.aeghome.co.uk

Customer Care Department
AEG Domestic Appliances
55 - 77 High Street
Slough
Berkshire
SL1 1DZ
Tel. 08705 350 350*

* calls to this number may be recorder for training purposes.

Guarantee Conditions

AEG offer the following guarantee to the first purchaser of this appliance:

1. The guarantee is valid for 12 months commencing when the appliance is handed over the first retail purchaser, which must be verified by purchase invoice or similar documentation.
The guarantee does not cover commercial use.
2. The guarantee covers all parts or components which fail due to faulty workmanship or faulty materials.
The guarantee does not cover appliances where defects or poor performance are due to misuse, accidental damage, neglect, faulty installation, unauthorised modification or attempted repair, commercial use or failure to observe requirements and recommendations set out in the instruction book.
This guarantee does not cover such parts as light bulbs, removable glassware or plastic.
3. Should guarantee repairs be necessary the purchaser must inform the nearest AEG Service Force Centre (manufacturer's service or authorised agent). AEG reserves the right to stipulate the place of the repair. i.e. customer's home, place of installation or AEG workshop).
4. The guarantee or free replacement includes both labour and materials.
5. Repairs carried out under guarantee do not extend the guarantee period for the appliance. Parts removed during guarantee repairs become the property of AEG.
6. The Purchaser's statutory rights are not affected by this Guarantee.

European Guarantee

If you should move to another country within Europe then your guarantee moves with you to your new home subject to the following qualifications:

- The guarantee starts from the date you first purchased your product.
- The guarantee is for the same period and the same extent for labour and parts as exists in the new country of use for this brand or range of products.
- This guarantee relates to you and cannot be transferred to another user.
- Your new home is within the European Community (EC) or European Free Trade Area.
- The product is installed and used in accordance with our instructions and is only used domestically i.e. a normal household.
- The electrical supply complies with the specification given in the rating label.
- The product is installed taking into account regulations in your new country.

Before you move please contact your nearest Customer Care centre, listed below, to give them details of your new home. They will then ensure that the local Service Organisation is aware of your move and able to look after you and your appliances.

France	Senlis	+33 (0) 3 44 62 29 29
Germany	Nürnberg	+49 (0) 911 323 2600
Italy	Pordenone	+39 (0) 1678 47053
Sweden	Stockholm	+46 (0) 8 738 7910
UK	Slough	+44 (0) 1753 219899

Technical Data

Dimensions in mm: Hob H x W x D Installation opening W x D	90 x 680 x 510 560 x 480
Burner power in kW: Small auxiliary burner Medium semi-rapid burner Large rapid burner Triple flame burner standard	1,00 1,65 3,0 4,25
Category	II 2H3+
Gas intake connection	G 1/2"
Gas pressure	G20 - 20 mbar
Electricity supply	230 V ~ 50 Hz
Appliance class	3

BURNER TYPE	MAXIMUM OUTPUT (gcv)	MINIMUM OUTPUT	G 20 20 mbar		G30/G31 28-30/37 mbar	
	kW	kW	Nozzle marking 100/mm	Nominal flow rate m³/h	Nozzle marking 100/mm	Nominal flow rate g/h
Small aux burner	1,00	0,30	76	0,095	50	73
Medium semi-rapid b.	1,65	0,32	94	0,157	65	120
Large rapid burner	3,00	0,65	128	0,286	85	219
T.F. burner std	4,25	1,50	63+140	0,405	37+97	310

By-pass diameters

Burner	Ø Tap By-Pass 1/100 mm
Small auxiliary	27
Medium semi-rapid	29
Large rapid	39
Standard	65

Instructions for the installation technician



CAUTION:

All responsibility for any damage deriving from installation in breach of the regulations in force or from failure to comply with the accident prevention regulations. This appliance shall be installed in accordance with the regulation in force and only in a wellventilated space .Read the instructions before installing or using this appliance.In the UK the regulation and standards are as follows:

In your own interest and that of safety, it is law that all gas appliances must be installed by competent persons.

CORGI registered installers undertake to work to safe and satisfactory standards.Failure to install the appliance correctly could invalidate any warranty or liability claims and lead to prosecution.

The appliance must be installed in accordance with.

All relevant British Standards /Codes of Practice, in particular BS 5440 Part 2 1989 and:

- For Natural Gas-BS 6172 :1990 and BS 6891:1988 (current edition)
- The Gas Safety (installation and Use) regulations 1994 (current edition)
- The relevant Building / IEE regulations (current edition)

Provision for ventilation

The room containing the appliance should have an air supply in accordance with B.S. 5440 Part 2: 1989.All rooms require an openable window or equivalent while some rooms require a permanent vent in addition to the openable window.

The appliance should not be installed in a bed sitting room with volume less than 20 m³. If it is installed in a room of volume less than 5m³ an air vent off effective area 100 cm² is required; If it is installed in a room of volume between 5 m³ and 10 m³, an air vent of effective 50 cm² is required: while if the volume exceeds 11 m³, no air vent is required.

However, if the room has a door that opens directly to the outside, no air vent is required even when the room volume is between 5 m³ and 10 m³ .

If there are other fuel burning appliances in the same room, B.S. 5440 Part 2:1989 should be consulted to determine the requisite air vent requirements

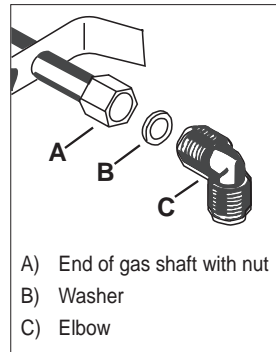
Location of appliance

The hob may be located in a kitchen, a kitchen/diner or bed sitting room, but not in a bathroom or shower room.

Before making the cut out in the worktop ensure that there is a minimum distance of 55 mm, between the rear edge of the hob and the wall. A minimum distance of 100 mm. must be left between the side edges of the hob and any adjacent cabinets or walls. The minimum distance combustible material can be fitted above the hob in line with the edges of the hob is 400 mm. If it is fitted below 400 mm. a space of 50 mm. must be allowed from the edges of the hob. The minimum distance combustible material can be fitted directly above the hob is 700 mm.

Connection to the gas supply

Ensure that the gas type at the installation site is the same as that stated on the appliance rating plate. On the end of the shaft, which includes the GJ 1/2" threaded elbow, adjustment is fixed so that the washer is fitted between the components as shown in the diagram. Screw the parts together without using excessive force.



Connection

Connection to the gas supply should be with either rigid or semi-rigid pipe, i.e. steel or copper.

The connection should be suitable for connecting to RC 1/2 (1/2 BSP male thread). When the final connection has been made, it is essential that a thorough leak test is carried out on the hob and installation using leak detection fluid.

Ensure that the main connection pipe does not exert any strain on the hob.



It is important to install the elbow correctly, with the shoulder on the end of the thread, fitted to the hob connecting pipe.

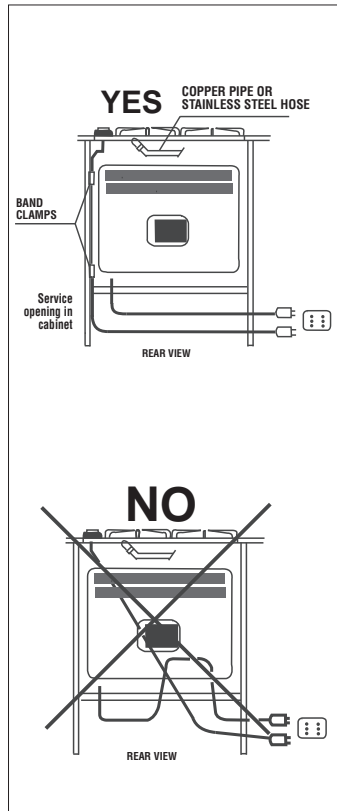
Failure to ensure the correct assembly will cause leakage of gas.

Electrical connection

WARNING: THIS APPLIANCE MUST BE EARTHED.
All external wiring must comply with the IEE Regulations for the Electrical Equipment of Buildings. The electrical supply can be by either a plug and socket or a permanently wired connection via a double - pole switch. Should the plug (where supplied) not fit the socket in your home, it should be removed and replaced with a suitable plug.

Note: If a moulded plug is fitted which is not suitable, it must be cut off and disposed of properly. To avoid the risk of electrocution, the moulded plug must not be left where children might find it and plug it into a supply socket. It must not be used for any other appliance. Three pin plugs to BS1363 with a capacity of not less than 13A must be used and fitted with a 3 amp fuse 'ASTA' approved to BS 1362.

With moulded plugs, after replacing the fuse the cover must be refitted. If the cover is lost, the plug must not be used until a replacement cover has been obtained from your supplier. The colour of the correct fuse cover is that of the coloured insert in the base of the fuse recess, or stated elsewhere on the plug. Always state this colour when ordering a replacement fuse cover. If you wish to make a direct connection to the mains, an omnipolar switch with a gap between the contacts of at least 3 mm, of suitable rating for the load and complying with the regulations in force, must be installed between the appliance and the mains. The switch must not break a contact in the yellow/green earth wire.



Important

The wires in the mains lead are coloured in accordance with the following code:

GREEN AND YELLOWEARTH

BLUE.....NEUTRAL

BROWNLIVE

The wires should be connected into the terminal of your plug as follows:

EARTH: to the terminal marked E, or coloured GREEN or GREEN / YELLOW.

NEUTRAL: to the terminal marked N, or coloured BLACK or BLUE.

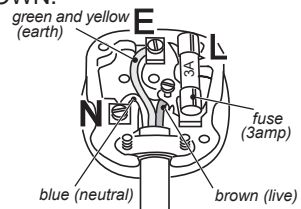
LIVE: to the terminal marked L, or coloured RED or BROWN.

When wiring the plug ensure that all strands of wire are retained in each terminal.

The flexible mains lead, plug and socket must not be in contact with hot surfaces.

The lead must not be trapped or pulled out when the appliance is fitted.

Plug in the appliance. Turn on the electricity supply.



Replacing the power supply lead

If the lead has to be replaced, only HO5RR-F or HO5RN-F type cables suitable for the load and the operating temperature must be used. In addition, the yellow/green earth wire must be about 2 cm longer than the live and neutral wires.

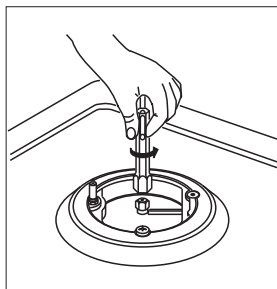
In all cases, the power supply lead must be positioned so that it does not reach a temperature 50°C above the room temperature in any point.

One example of an ideal route is shown in the illustration. The cable is guided by means of band clamps fixed to the side of the cabinet, in order to avoid any contact with the appliance underneath the hob.

Adapting to the different types of gas

Changing the nozzles

- 1) Remove the pan stands
- 2) Remove the burner caps and flame caps from the burners.
- 3) Use a size 7 socket wrench to unscrew and remove the nozzles, replacing them with those corresponding to the type of gas to be used (see table).
- 4) Reassemble the parts, reversing the operations described above.
- 5) Then replace the setting data plate (close to the mains gas connection) with the one for the new type of gas (it is in the bag of nozzles provided).



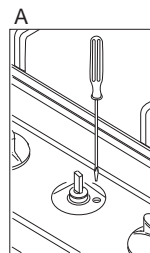
If the pressure of the gas used is different from that specified (or variable), a suitable piped gas pressure regulator complying with the standard must be installed on the supply pipeline.

Setting the minimum level

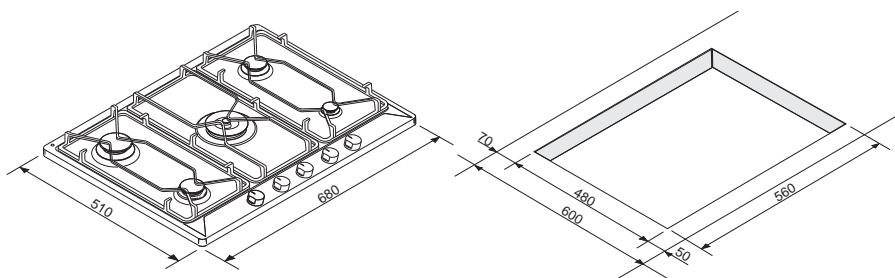
- 1) Light the burner as already described.
- 2) Turn the tap to the minimum flame position.
- 3) Remove the control knobs.
- 4) Use a thin straight screwdriver to turn the by-pass pin located next to the tap rod (see fig. A). If you are converting from natural gas to LPG, turn the by-pass pin fully clockwise.

The result should be a small, homogeneous flame which is uniform around the entire burner ring.

- 5) Finally, check that the burner does not go out when the tap is turned quickly from the maximum to the minimum position.



Building into fitted kitchen units



These hobs are designed for installation in fitted kitchen units up to 600 mm deep with suitable characteristics.

Any cabinet side panels taller than the height of the hob itself must be at least 150 mm away from the opening into which the hob is inserted.

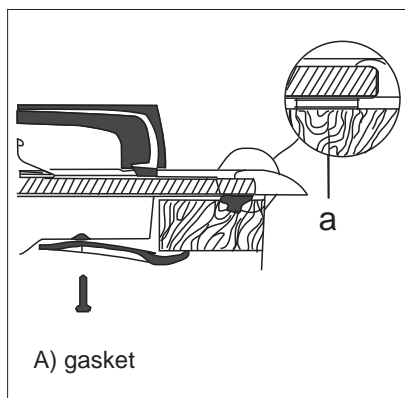
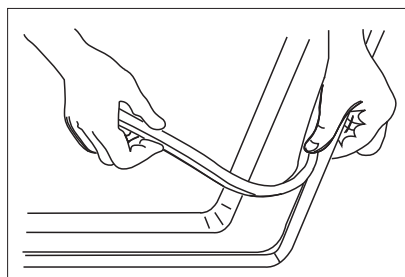
The dimensions of the hob and the installation opening are shown in the illustration.

Insertion and fixing

Before inserting the hob in the installation opening, place the special gasket around the bottom edge of the hob.

It is important to fix this gasket evenly, without gaps or overlapping, to prevent liquid from seeping underneath the hob.

- 1) Remove the pan stands and the burner caps and turn the hob upside down, taking care not to damage the ignition plugs and the thermocouples.
- 2) Place the gasket around the bottom edge of the hob as shown in the illustration on the right.
- 3) Place the hob in the installation opening and push it down so that the hob is resting firmly on the cabinet, as shown in the illustration. The side springs will hold it in place.

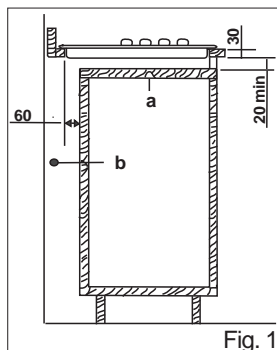


Installation options

On base cabinet with door

When constructing the cabinet, suitable precautions must be taken to prevent contact with the casing of the hob, which becomes very hot during operation. The recommended method for overcoming this problem is illustrated in fig. 1.

The panel underneath the hob must be easily removable to allow the hob to be locked in position and released in case of servicing work.



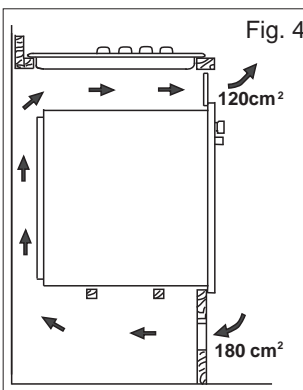
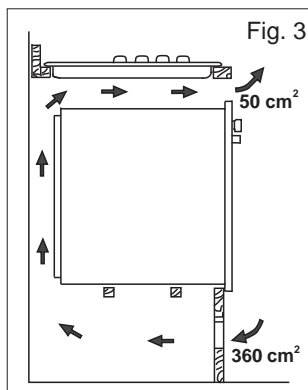
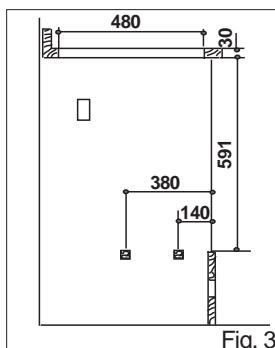
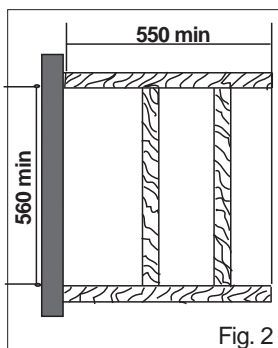
- a Removable panel
- b) Space for connections

On base cabinet with oven

The installation compartment must have the dimensions shown in figures 2 and 3 and must have supports to allow satisfactory ventilation. Two possible methods for avoiding overheating are illustrated in figures 3 and 4.

The electrical connections of the hob and oven must be made separately both for electrical reasons and to simplify removal of the oven through the front of the cabinet.

Wall cabinets or extractor hoods must be at least 650 mm above the hob, subject to the manufacturer's instructions.



Free Manuals Download Website

<http://myh66.com>

<http://usermanuals.us>

<http://www.somanuals.com>

<http://www.4manuals.cc>

<http://www.manual-lib.com>

<http://www.404manual.com>

<http://www.luxmanual.com>

<http://aubethermostatmanual.com>

Golf course search by state

<http://golfingnear.com>

Email search by domain

<http://emailbydomain.com>

Auto manuals search

<http://auto.somanuals.com>

TV manuals search

<http://tv.somanuals.com>