

# Installation Instructions Home Laundry Automatic Dryers (Electric and Gas Models)



**NOTA: El manual en español aparece después del manual en inglés.**

KEEP THESE INSTRUCTIONS FOR FUTURE REFERENCE. (If the dryer changes ownership, be sure this manual accompanies the dryer.)

**Part No. 504607R2  
August 1998**





## WARNING

**FOR YOUR SAFETY**, the information in this manual must be followed to minimize the risk of fire or explosion or to prevent property damage, personal injury or death.

W033

- Do not store or use gasoline or other flammable vapors and liquids in the vicinity of this or any other appliance.
- **WHAT TO DO IF YOU SMELL GAS:**
  - Do not try to light any appliance.
  - Do not touch any electrical switch; do not use any phone in your building.
  - Clear the room, building or area of all occupants.
  - Immediately call your gas supplier from a neighbor's phone. Follow the gas supplier's instructions.
  - If you cannot reach your gas supplier, call the fire department.
- Installation and service must be performed by a qualified installer, service agency or the gas supplier.

W052

# Table of Contents

<b>Replacement Parts</b> .....	2
<b>Roughing In Dimensions</b> .....	3
<b>Before You Start</b>	
Tools .....	4
Exhaust .....	4
Electrical.....	4
Gas.....	4
Location.....	4
<b>Installing the Dryer</b>	
STEP 1 (Position and Level the Dryer) .....	5
STEP 2 (Connect Dryer Exhaust System).....	5
STEP 3 (Connect Gas Supply Pipe) .....	6
STEP 4 (Connect Electrical Plug) .....	7
STEP 5 (Wipe Out Inside of Dryer) .....	8
STEP 6 (Plug in the Dryer) .....	8
STEP 7 (Check Installation).....	8
<b>Heat Source Check</b> .....	9
<b>Reversing Door Procedure</b> .....	10
<b>Manufactured (Mobile) Home Installation</b> .....	11
<b>Electrical Requirements (Electric Dryers)</b> .....	12
<b>Electrical Plug Connection</b> .....	13
<b>Electrical Requirements (Gas Dryers)</b> .....	15
<b>Gas Requirements</b> .....	16
<b>Location Requirements</b> .....	17
<b>Dryer Exhaust Requirements</b>	
Exhaust System Materials .....	18
Make Up Air Requirements.....	18
Exhaust System .....	19
Exhaust Direction .....	19
Exhaust System Maintenance.....	20
Dryer Airflow .....	20
Reduced Clearance Elbow.....	20
<b>User-Maintenance Instructions</b>	
Lubrication .....	21
Care of Your Dryer .....	21
Exhaust System .....	21
<b>Information for Handy Reference</b> .....	22
<b>Installer Check</b> .....	Back Cover

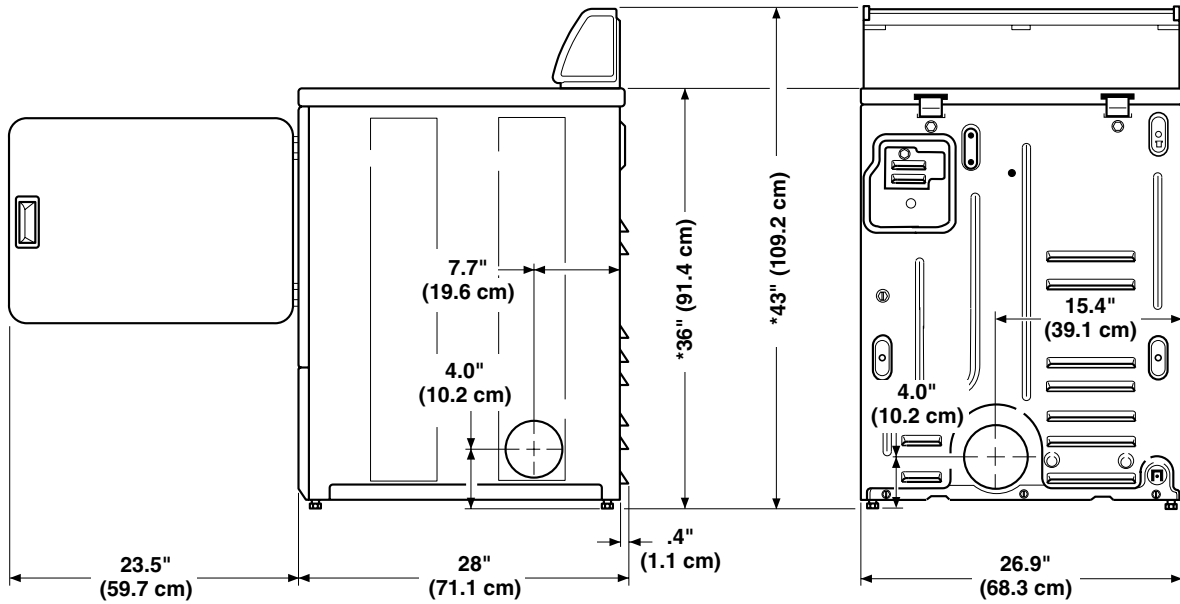
## Replacement Parts . . .

If replacement parts are required, contact the source where you purchased your dryer, or contact

**Alliance Laundry Systems LLC**  
**Shepard Street**  
**P.O. Box 990**  
**Ripon, WI 54971-0990**  
**Phone:**  
**(920) 748-3950**

for the name and address of the nearest authorized parts distributor.

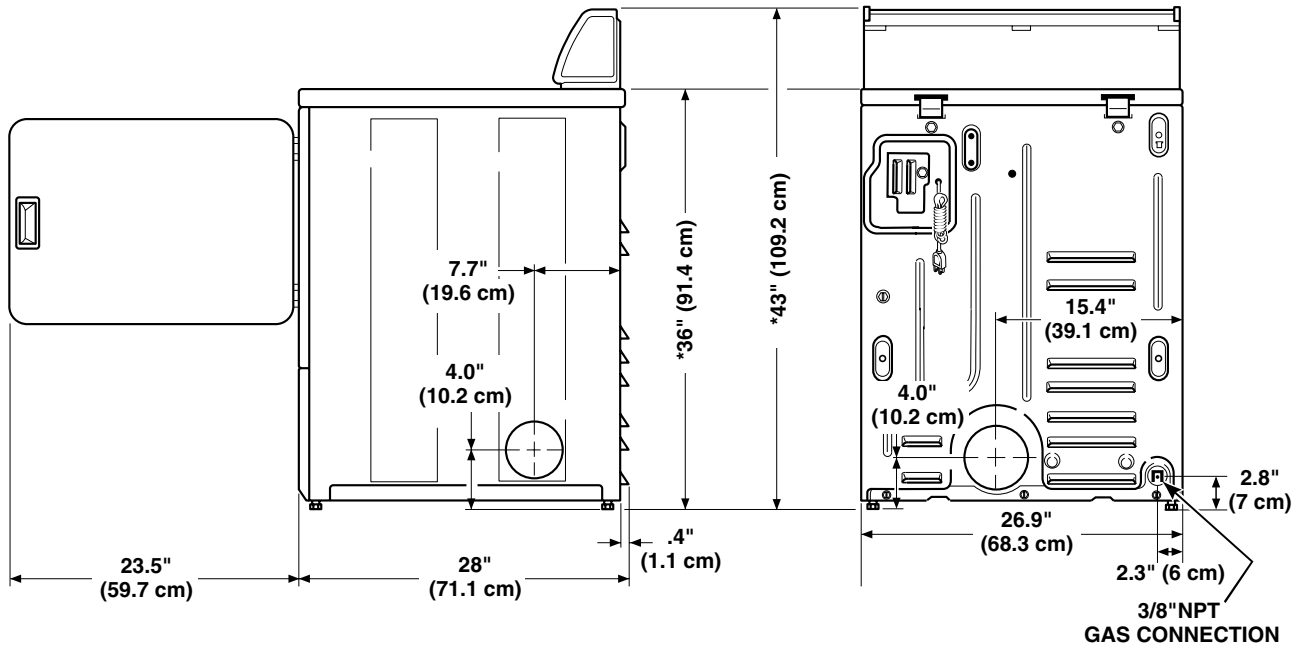
# Roughing In Dimensions . . .



\* WITH LEVELING LEGS TURNED INTO BASE

D312IE3A

## ELECTRIC DRYERS



\* WITH LEVELING LEGS TURNED INTO BASE

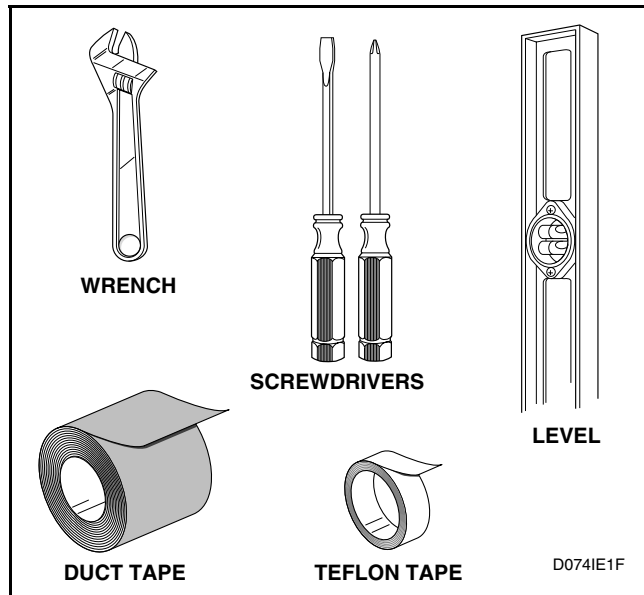
D313IE3A

## GAS DRYERS

# Before You Start . . .

## Tools

For most installations, the basic tools you will need are:



## Electrical

- **ELECTRIC DRYER**  
Dryer needs a 3 or 4 wire 120/240 Volt, 30 Amp, 60 Hertz, 1 Phase electrical supply.
- **GAS DRYER**  
Dryer needs a 120 Volt, 15 Amp, 60 Hertz, polarized 3-slot effectively grounded receptacle.

**NOTE:** For more detailed information, refer to Section on *Electrical Requirements*.

## Gas

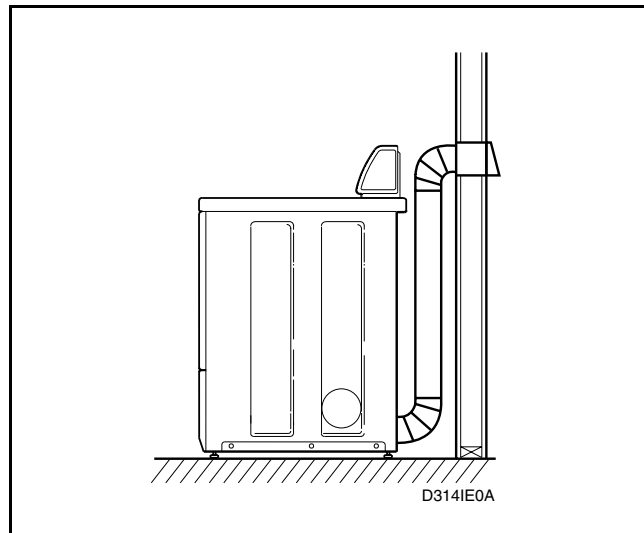
Dryer is equipped for Natural Gas with a 3/8" NPT gas supply connection. For more detailed information, refer to Section on *Gas Requirements*.

## Location

Place the dryer on a solid floor with an adequate air supply. For more detailed information, refer to Section on *Location Requirements*.

## Exhaust

Use rigid metal duct and exhaust the dryer to the outside by the shortest route possible.



**NOTE:** For more detailed information, refer to Section on *Dryer Exhaust Requirements*.

# Installing the Dryer . . .

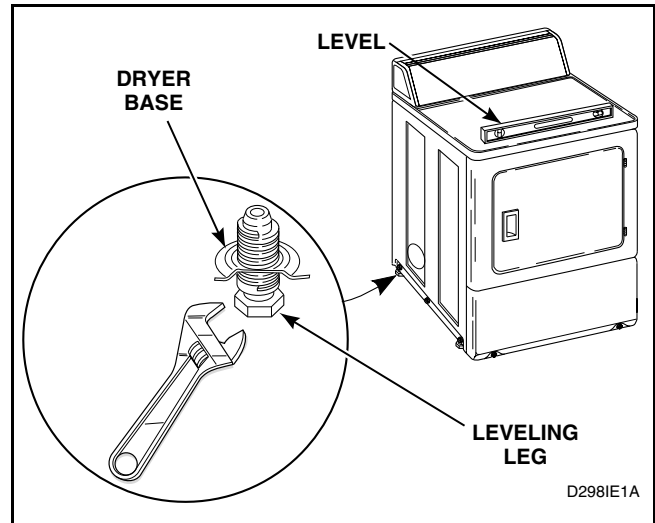
## Step 1:

### Position and Level the Dryer

For further assistance refer to Section on *Location Requirements*.

Install dryer before washer. This allows room for attaching exhaust duct.

Place the dryer in position, and adjust the legs until the dryer is level.



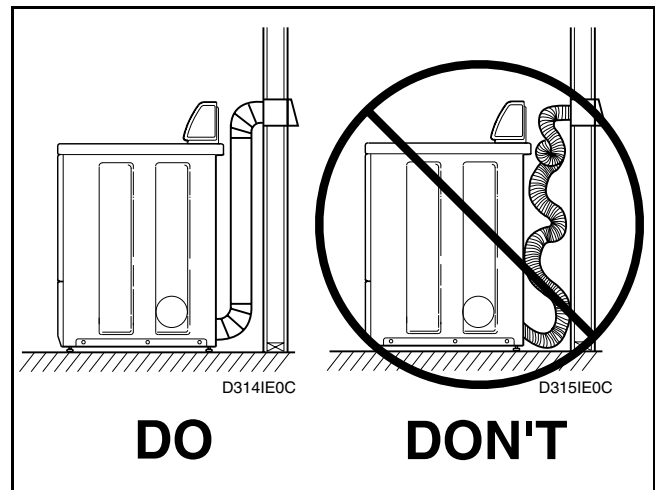
## Step 2:

### Connect Dryer Exhaust System

For further assistance refer to Sections on *Location Requirements* and *Dryer Exhaust Requirements*.

	<b>WARNING</b>
<p><b>A clothes dryer produces combustible lint. To reduce the risk of fire and combustion gas accumulation the dryer <b>MUST</b> be exhausted to the outdoors.</b></p>	
W116	

- DO NOT use plastic or thin foil flexible ducting.
- Locate dryer so exhaust duct is as short as possible.
- Be certain old ducts are cleaned before installing your new dryer.
- Use 4" (10.2 cm) diameter rigid or flexible metal duct.
- Use as few elbows as possible.
- Use duct tape on all joints.
- **Failure to exhaust dryer properly will void**



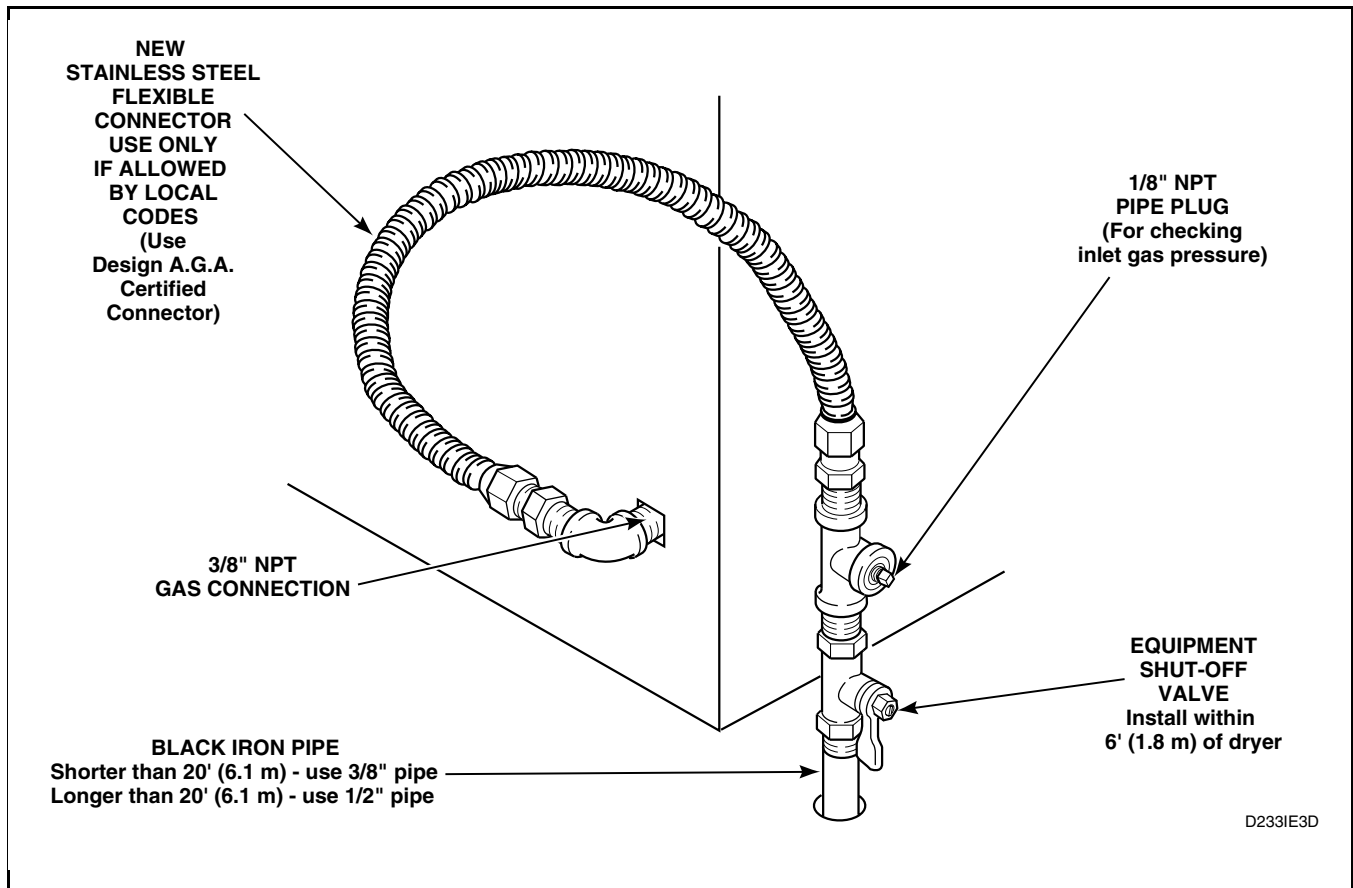
**NOTE: Venting materials are not supplied with the dryer (obtain locally).**

## Step 3: (Gas Dryer ONLY)

### Connect Gas Supply Pipe

For further assistance, refer to Section on *Gas Requirements*.

1. Make certain your dryer is equipped for use with the type of gas in your laundry room. Dryer is equipped at the factory for Natural Gas with a 3/8" NPT gas connection.
2. Remove the shipping cap from the gas connection at the rear of the dryer. Make sure you do not damage the pipe threads when removing the cap.
3. Connect to gas supply pipe.
4. Tighten all connections securely. Turn on gas and check all pipe connections (internal & external) for gas leaks with a non-corrosive leak detection fluid.
5. For L.P. (propane) gas connection, refer to Section on *Gas Requirements*.



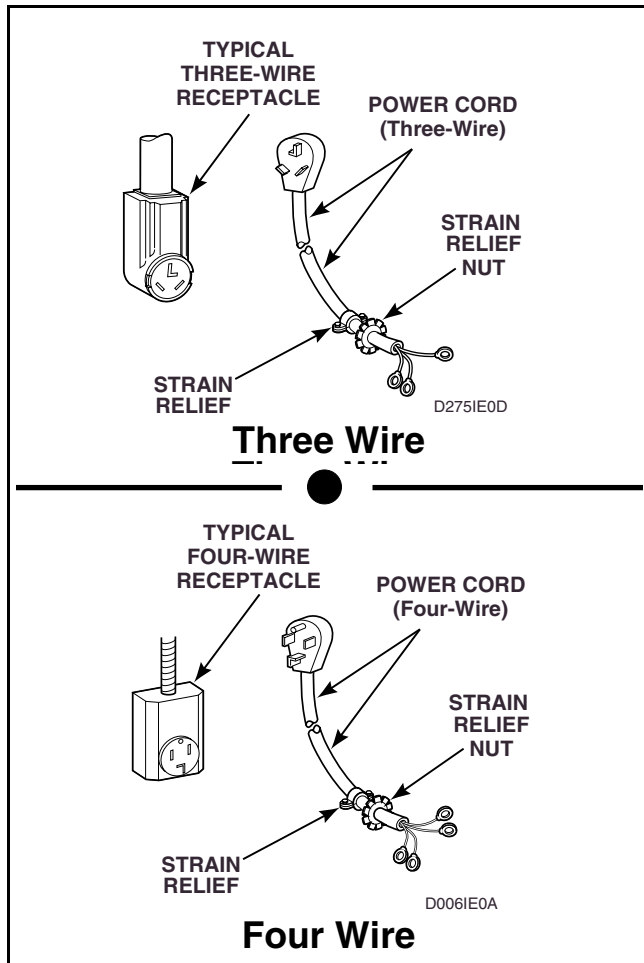


## Step 4: (ELECTRIC DRYER ONLY)

### Connect Electrical Plug

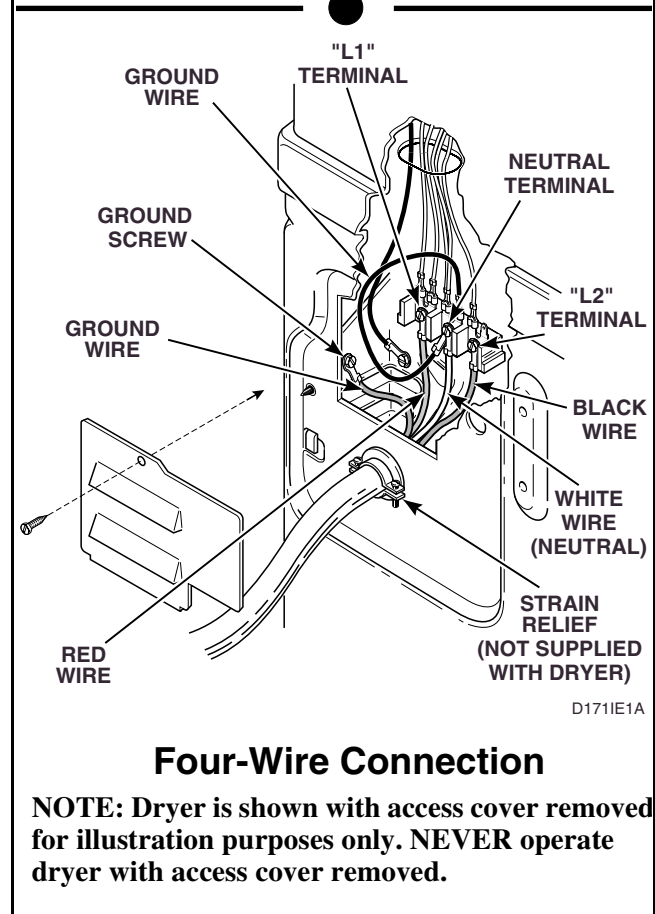
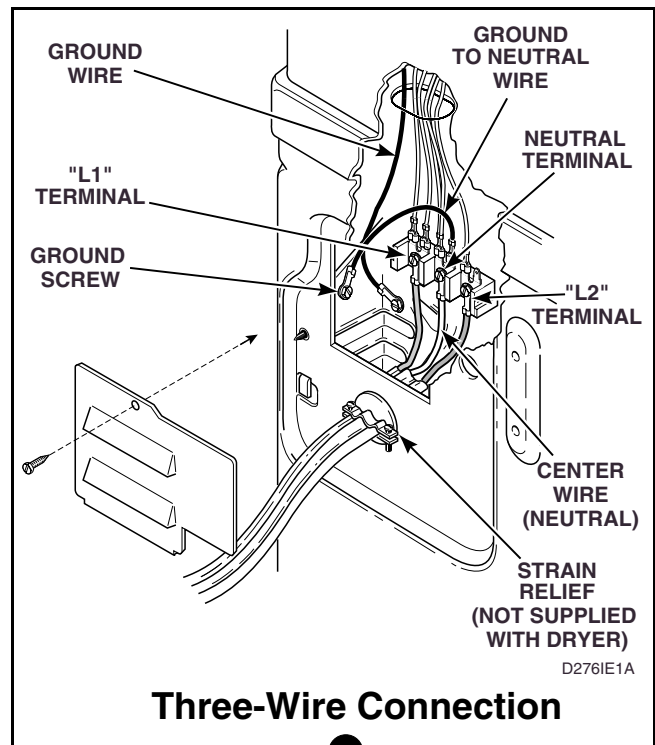
For further assistance, refer to Section on *Electrical Requirements*.

**IMPORTANT:** Use only a new U.L. listed No. 10 (copper wire only) three conductor power supply cord kit rated 240 Volts (minimum) 30 Amperes and labeled as suitable for use in a clothes dryer.



**NOTE:** For more detailed information on connecting three-wire or four-wire plugs, refer to Section on *Electrical Plug Connection*.

**NOTE:** Four-wire cord is required for mobile homes or where codes do not permit grounding through neutral.

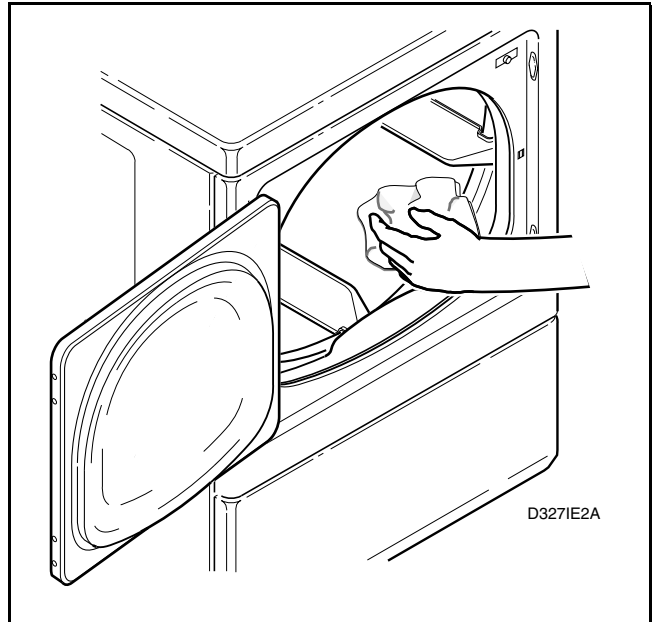


**NOTE:** Dryer is shown with access cover removed for illustration purposes only. NEVER operate dryer with access cover removed.

## Step 5:

### Wipe Out Inside Of Dryer

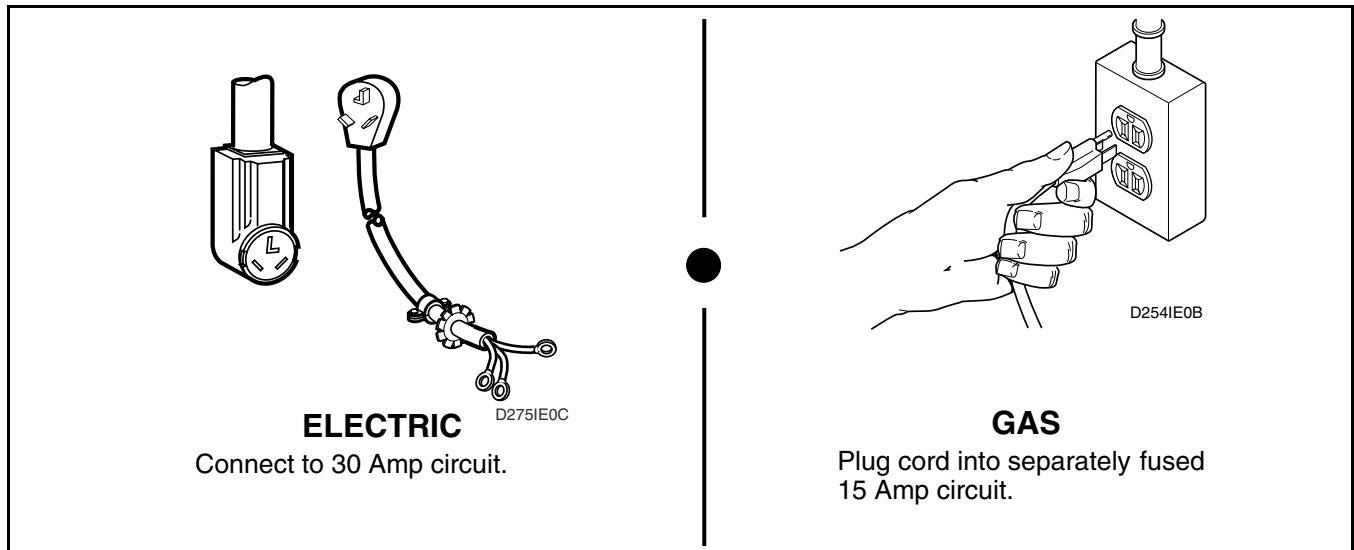
Before using dryer for the first time, use an all-purpose cleaner, or a detergent and water solution, and a damp cloth to remove shipping dust from inside dryer drum.



## Step 6:

### Plug in the Dryer

Refer to Section on *Electrical Requirements*, and connect the dryer to an electrical power source.



## Step 7:

### Check Installation

Refer to *Installer Check* on the back cover of this manual and make sure that dryer is installed correctly.

# Heat Source Check . . .

## Electric Dryers

Close the loading door and start the dryer in a heat setting (refer to the Operating Instructions supplied with the dryer). After the dryer has operated for three

minutes, the exhaust air or exhaust pipe should be warm.

## Gas Dryers

To view the burner flame, remove the lower front panel of the dryer.

Close the loading door, start the dryer in a heat setting (refer to the Operating Instructions supplied with the dryer); the dryer will start, the igniter will glow red and the main burner will ignite.

**IMPORTANT: If all air is not purged out of gas line, gas igniter may go off before gas is ignited. If this happens, after approximately two minutes igniter will again attempt gas ignition.**

After the dryer has operated for approximately five minutes, observe burner flame through lower front panel. Adjust the air shutter to obtain a soft, uniform blue flame. (A lazy, yellow tipped flame indicates lack of air. A harsh, roaring, very blue flame indicates too much air.) Adjust the air shutter as follows:

- Loosen the air shutter lock screw.
- Turn the air shutter to the left to get a luminous yellow-tipped flame, then turn it back slowly to the right to obtain a steady, soft blue flame.
- After the air shutter is adjusted for proper flame, tighten the air shutter lock screw securely.
- Reinstall the lower front panel.

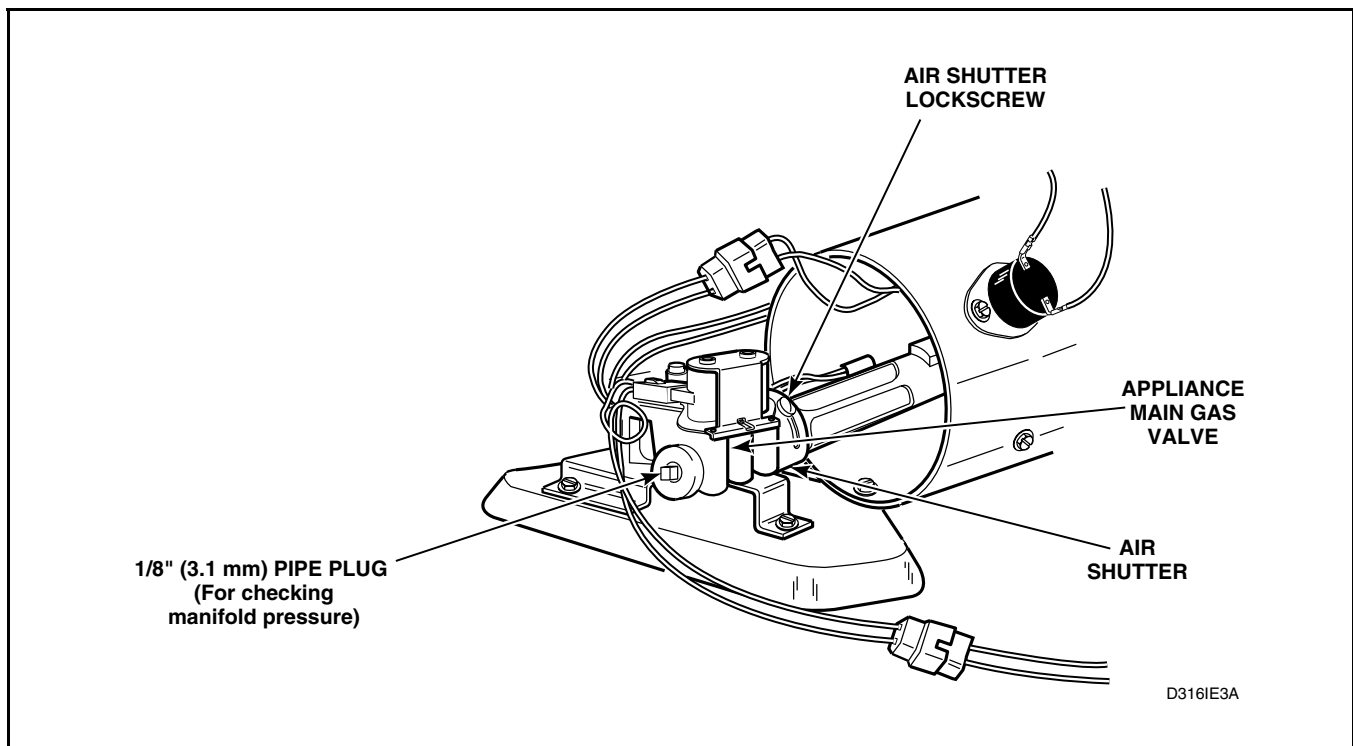


### WARNING

**For personal safety, lower front panel must be in place during normal operation.**

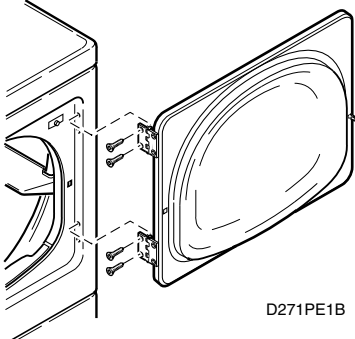
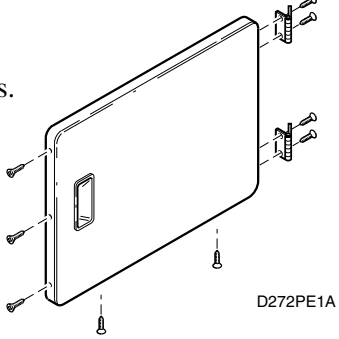
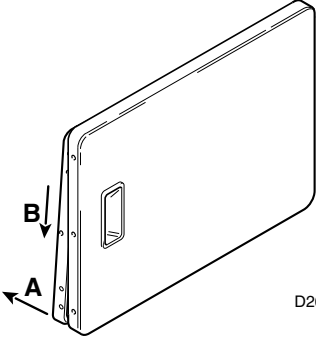
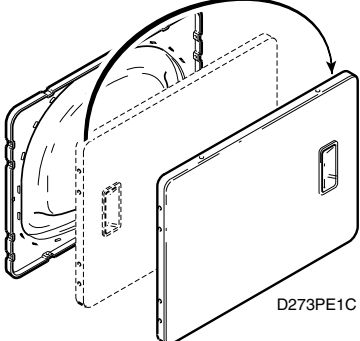
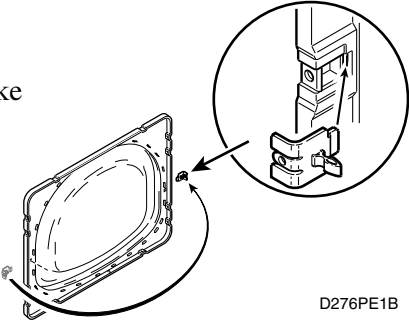
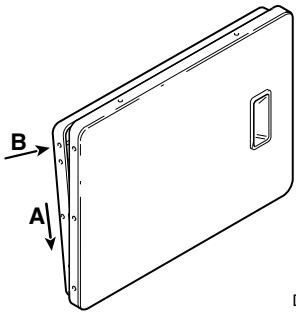
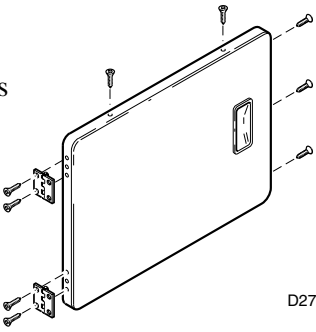
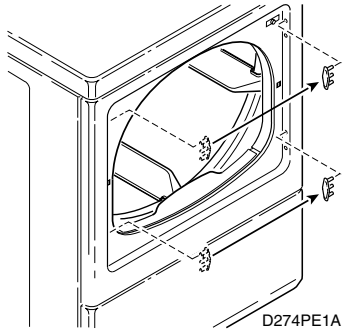
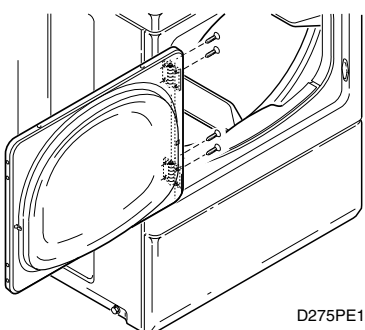
W046

After the dryer has operated for approximately three minutes, exhaust air or exhaust pipe should be warm.



# Reversing Door Procedure . . .

The door on this dryer is completely reversible. To reverse door proceed as follows:


<p><b>1</b></p> <p>Remove four hinge attaching screws.</p>  <p>D271PE1B</p>	<p><b>2</b></p> <p>Remove all nine screws.</p>  <p>D272PE1A</p>
<p><b>3</b></p> <p>Pull bottom of door liner out, then pull down, removing door liner from door panel.</p>  <p>D268PE1A</p>	<p><b>4</b></p> <p>Rotate door panel 180 degrees as shown.</p>  <p>D273PE1C</p>
<p><b>5</b></p> <p>Remove door strike from door liner and reinstall on opposite side.</p>  <p>D276PE1B</p>	<p><b>6</b></p> <p>Insert liner under flange on bottom of door, then push top of door liner into place.</p>  <p>D269PE1C</p>
<p><b>7</b></p> <p>Reinstall nine screws removed in Step 2.</p>  <p>D270PE1B</p>	<p><b>8</b></p> <p>Using a screwdriver, remove two door plugs, and reinstall on opposite side of door opening.</p>  <p>D274PE1A</p>
<p><b>9</b></p> <p>Reinstall four hinge attaching screws removed in Step 1.</p>  <p>D275PE1A</p>	

# Manufactured (Mobile) Home Installation . . .

**IMPORTANT: Installation must conform to the Manufactured Home Construction and Safety Standards, Title 24 CFR, Part 32-80 or Standard CAN/CSA-Z240 MH.**


The dryer can be installed in a manufactured (mobile) home by following these instructions:

1. **IMPORTANT: Gas dryers MUST be permanently attached to the floor at the time of installation. Order No. 526P3 Dryer Installation Kit for a manufactured (mobile) home installation. Follow the instructions supplied with the kit.**
2. Electrical Connections (Electric Dryer Only) must be a 4-wire connection, refer to page 13.
3. Venting—Dryer MUST be exhausted to the outdoors.

	<b>WARNING</b>
<b>To reduce the risk of fire and combustion gas accumulation, the dryer MUST BE EXHAUSTED TO THE OUTDOORS. Refer to Section on Dryer Exhaust Requirements.</b>	
W047	

- The dryer can be exhausted to the outdoors through the back, left, right or bottom panel. Gas dryers cannot be exhausted out the left side because of the burner housing.
- The dryer exhaust duct must be secured to the mobile home structure.
- Exhaust ducts MUST NOT be connected with sheet metal screws or fasteners which extend into the duct.
- Exhaust duct must not be connected to any other duct, vent or chimney.

- Dryer exhaust duct MUST NOT terminate under the mobile home.
- For proper operation, it is important that the dryer has an ample amount of outside make-up air. The free area of any opening for the introduction of outside air must be at least 25 in<sup>2</sup> (163 cm<sup>2</sup>).
- When exhausting the dryer to the outdoors, the dryer can be installed with “0” inch clearance at the sides and rear. Clearance of the duct from combustible construction must be a minimum of 2 inches (5.08 cm).
- Venting materials are not supplied with the dryer (obtain locally).

	<b>WARNING</b>
<b>To reduce the risk of fire, the exhaust duct and weather hood MUST be fabricated of a material that will not support combustion. Rigid or flexible metal pipe is recommended for a clothes dryer.</b>	
W048	

# Electrical Requirements . . .

## (Electric Dryers)

NOTE: The wiring diagram is located inside the control hood.

## Grounding Instructions

This dryer must be connected to a grounded metal, permanent wiring system; or an equipment-grounding conductor must be run with the circuit conductors and connected to the equipment-grounding terminal or lead on the dryer.

### WARNING

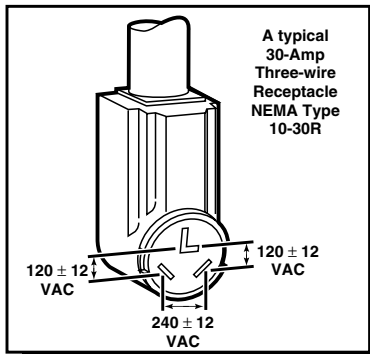
**To reduce the risk of fire, electric shock, serious injury or death, all wiring and grounding MUST conform with the latest edition of the National Electrical Code, ANSI/NFPA 70, or the Canadian Electrical Code, CSA C22.1, and such local regulations as might apply. It is the customer's responsibility to have the wiring and fuses checked by a qualified electrician to make sure your home has adequate electrical power to operate the dryer.**

W113

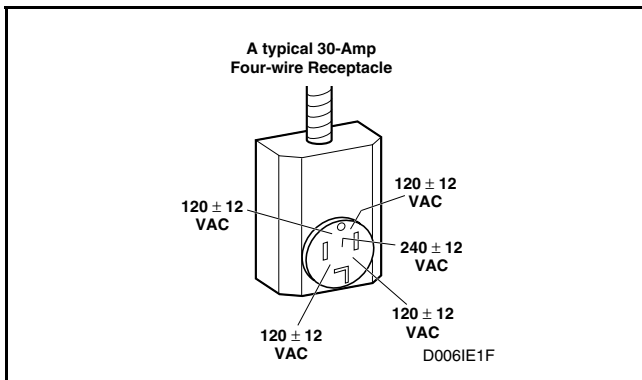
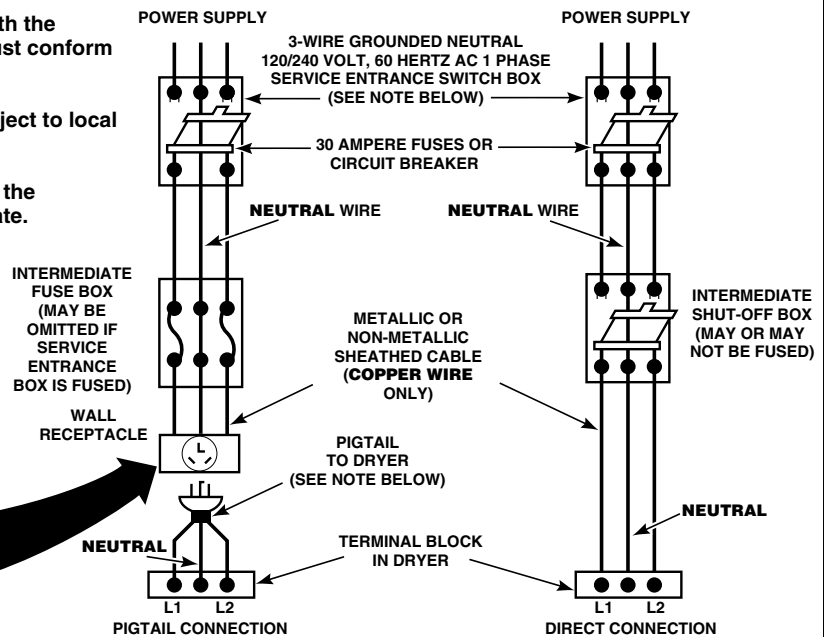
NOTE: The power cord (pigtail) is NOT supplied with the electric dryer. Type of pigtail and gauge of wire must conform to local codes and instructions.

The method of wiring the dryer is optional and subject to local code requirements.

NOTE: Connect the dryer to the power supply with the MAXIMUM RATED VOLTAGE listed on the nameplate.



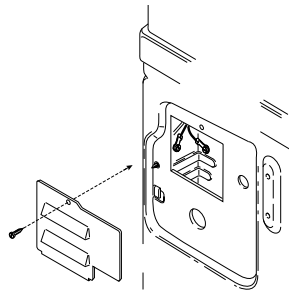
NOTE: Use **COPPER WIRE** only.  
Shorter than 15' (4.5 m) use 10 A.W.G.  
Longer than 15' (4.5 m) use 8 A.W.G.



# Electrical Plug Connection . . .

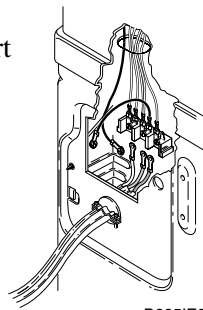
## Three-Wire Plug

1. Remove access cover from rear of dryer.



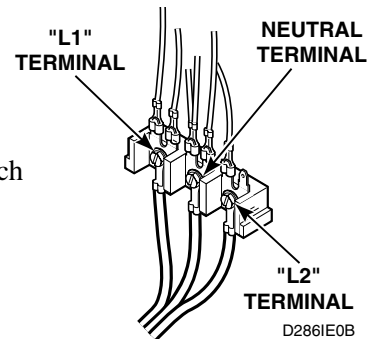
D284IE0C

2. Use a strain relief and insert end of power cord through power supply hole.



D285IE0D

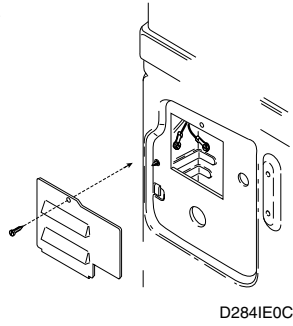
3. Use the three screws from the envelope located in the cylinder to attach the power cord wires to the terminal block.



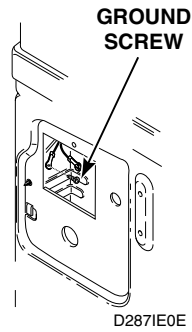
4. Tighten all screws and reinstall access cover removed in Step 1.

## Four-Wire Plug

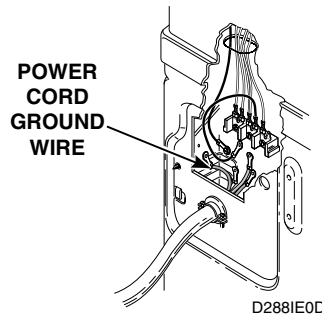
1. Remove access cover from rear of dryer.



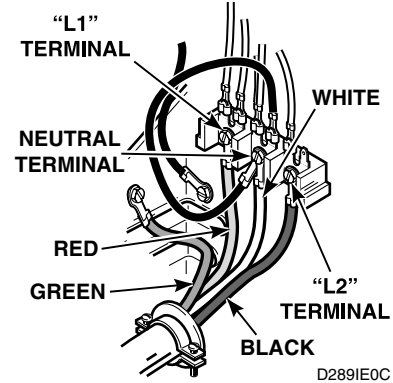
2. Remove ground screw and save for use in Step 4. Remove wire and use in Step 5.



3. Use a strain relief and insert end of power cord through power supply hole.



4. Attach power cord ground (green) wire to rear bulkhead using ground screw removed in Step 2.



5. Use the three screws from the envelope located in the cylinder to attach the remaining power cord wires to the terminal block as follows:
  - a. Red wire to "L1" terminal.
  - b. Black wire to "L2" terminal.
  - c. White wire to Neutral terminal.

**NOTE:** When installing the white wire, loop the free eyelet end of the ground wire (removed in Step 2) and attach along with the white wire to the neutral (center) terminal on the terminal block.


6. Tighten all screws and reinstall access cover removed in Step 1.

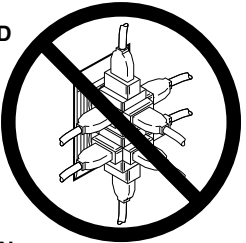


# Electrical Requirements . . .

## (Gas Dryers)


**NOTE:** The wiring diagram is located inside the control hood.

	<b>WARNING</b>
<p>To reduce the risk of fire, electric shock, serious injury or death, all wiring and grounding <b>MUST</b> conform with the latest edition of the National Electrical Code, ANSI/NFPA 70, or the Canadian Electrical Code, CSA C22.1, and such local regulations as might apply. It is the customer's responsibility to have the wiring and fuses checked by a qualified electrician to make sure your home has adequate electrical power to operate the dryer.</p>	
W113	


<ul style="list-style-type: none"><li>• DO NOT OVERLOAD CIRCUITS</li><li>• DO NOT USE AN ADAPTER</li><li>• DO NOT USE AN EXTENSION CORD</li></ul>	
D0091E0C	

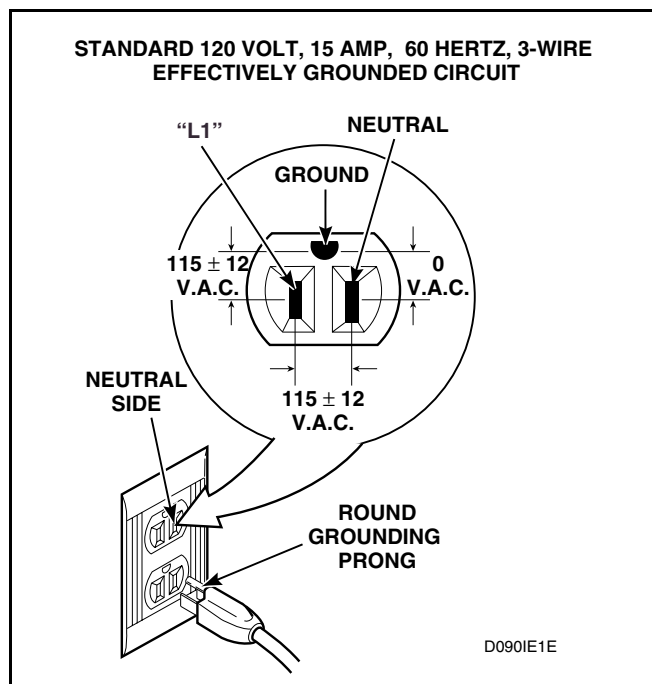
### Grounding Instructions

The dryer must be grounded. In the event of malfunction or breakdown, grounding will reduce the risk of electric shock by providing a path of least resistance for electric current. The dryer is equipped with a cord having an equipment-grounding conductor and a 3-prong grounding plug. The three-prong grounding plug on the power cord should be plugged directly into a polarized three-slot effectively grounded receptacle rated 110/120 Volts AC (alternating current) 15 Amps.

	<b>WARNING</b>
<p>Improper connection of the equipment-grounding conductor can result in a risk of electric shock. Check with a qualified electrician or service person if you are in doubt as to whether the dryer is properly grounded.</p>	
W038	


Do not modify the plug provided with the dryer—if it will not fit the outlet, have a proper outlet installed by a qualified electrician.

	<b>WARNING</b>
<p>This dryer is equipped with a three-prong (grounding) plug for your protection against shock hazard and should be plugged directly into a properly grounded three-prong receptacle. Do not cut or remove the grounding prong from this plug.</p>	
W036	



**NOTE:** Have a qualified electrician check the polarity of the wall receptacle. If a voltage reading is measured other than that illustrated, the qualified electrician should correct the problem.

Do not operate other appliances on the same circuit when this appliance is operating.

	<b>WARNING</b>
<p>To reduce the risk of an electric shock or fire, <b>DO NOT</b> use an extension cord or an adapter to connect the dryer to the electrical power source.</p>	
W037	

# Gas Requirements . . .

## (Gas Dryers)

**NOTE:** The gas service to a gas dryer must conform with the local codes and ordinances, or in the absence of local codes and ordinances, with the latest edition of the National Fuel Gas Code ANSI Z223.1/NFPA 54 or the CAN/CGA-B149, National Gas Installation Code.

**Natural Gas**, 1,000 Btu/ft<sup>3</sup> (37.3 MJ/m<sup>3</sup>) service must be supplied at 6.5 ± 1.5 inch water column pressure.

For proper operation at altitudes above 2,500 feet (760 m) the natural gas valve spud orifice size must be reduced to ensure complete combustion. See table at right.


**L.P. (Propane) Gas**, 2,500 Btu/ft<sup>3</sup> (93.1 MJ/m<sup>3</sup>) service must be supplied at 10 ± 1.5 inch water column pressure.

**NOTE:** DO NOT connect the dryer to L.P. (Propane) Gas Service without converting the gas valve. An LPK1 Sales Accessory (L.P. [Propane] Gas Conversion Kit 649P3) must be installed.)

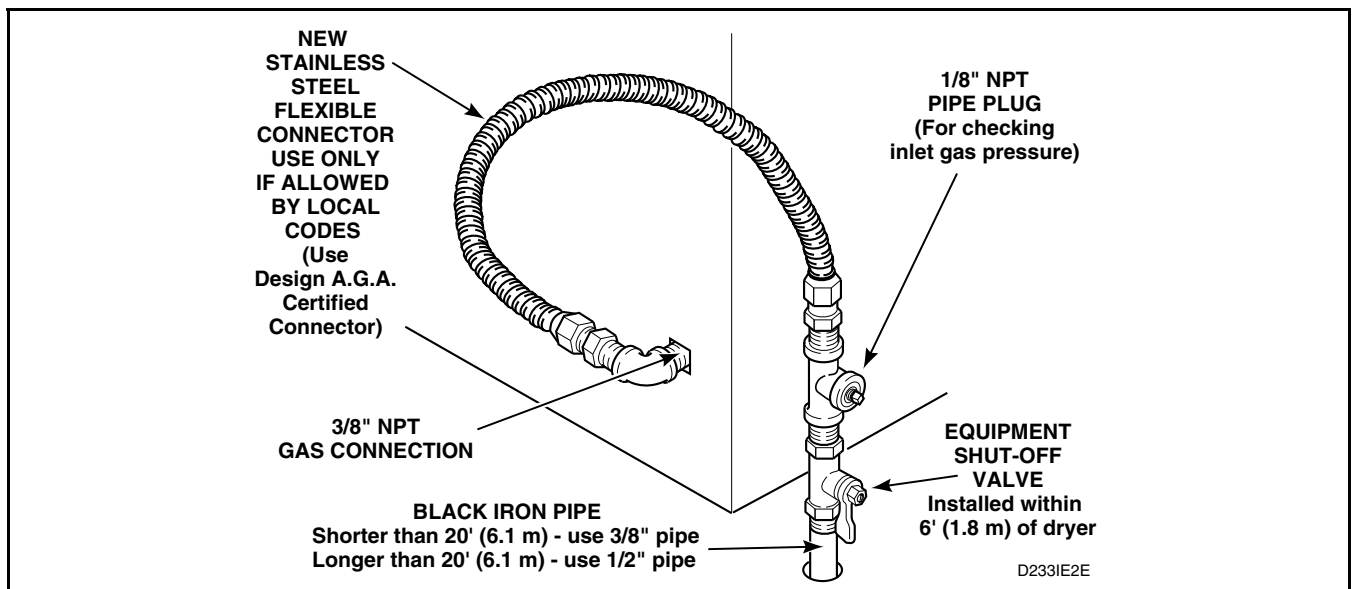
**NOTE:** The dryer and its appliance main gas valve must be disconnected from the gas supply piping system during any pressure testing of that system at test pressures in excess of 1/2 psi (3.45 kPa). (See illustration on page 10.)

The dryer must be isolated from the gas supply piping system by closing the equipment shut-off valve during any pressure testing of the gas supply piping system at test pressures equal to or less than 1/2 psi (3.45 kPa)

**NOTE:** When connecting to a gas line, an equipment shutoff valve must be installed within 6' (1.8 m) of the dryer. An 1/8" N.P.T. pipe plug must be installed as shown. See illustration.

 <b>WARNING</b>	
<p>To reduce the risk of gas leaks, fire or explosion:</p> <ul style="list-style-type: none"> <li>• The dryer must be connected to the type of gas as shown on nameplate located in the door recess.</li> <li>• Use a new flexible stainless steel connector.</li> <li>• Use pipe joint compound insoluble in LP (propane) Gas, or Teflon tape, on all pipe threads.</li> <li>• Purge air and sediment from gas supply line before connecting it to the dryer. Before tightening the connection, purge remaining air from gas line to dryer until odor of gas is detected. This step is required to prevent gas valve contamination.</li> <li>• Do not use an open flame to check for gas leaks. Use a non-corrosive leak detection fluid.</li> </ul>	
W114R1	

Altitude		Orifice Size			Part Number
ft	m	#	Inches	mm	
3000	915	43	0.0890	2.26	503778
6000	1830	44	0.0860	2.18	58719
8000	2440	45	0.0820	2.08	503779
9000	2740	46	0.0810	2.06	503780
10000	3050	47	0.0785	1.99	503781



# Location Requirements . . .

Select a location with a solid floor.

No other fuel burning appliance should be installed in the same closet with the dryer.

The dryer must not be installed or stored in an area where it will be exposed to water and/or weather.

Leveling legs can be adjusted from inside the dryer with a 1/4" driver. All four legs must rest firmly on the

floor so the weight of the dryer is evenly distributed. The dryer must not rock.

The dryer needs sufficient clearance and an adequate air supply for proper operation and ventilation, and for easier installation and servicing. (Minimum clearances are shown below.)

**FRONT VIEW (w/o Closet Door)**

**SIDE VIEW**

**FRONT VIEW (Closet Door)**

**OUTER WALL OF ENCLOSURE**

D317IE3C

AREA	DESCRIPTION	FREE STANDING / ALCOVE INSTALLATION (See Illustration)	CLOSET INSTALLATION (See Illustration)
A	Dryer sides and rear clearance	0" (0 cm)	0" (0 cm)
B	Dryer top clearance	12" (30.5 cm)	12" (30.5 cm)
C	Dryer front clearance	Not Applicable	2" (5.1 cm)
D	Exhaust duct clearance to combustible material	2" (5.1 cm)	2" (5.1 cm)
E	Weather hood to ground clearance	12" (30.5 cm)	12" (30.5 cm)
F	Distance from floor or ceiling to hole edge	Not Applicable	3" (7.6 cm)
G*	Area of centered air openings in closet door	Not Applicable	40 sq. in./open (260 sq. cm)

\*Louvered door with equivalent air openings is acceptable. (Minimum clearances are shown.)

**\*\* NOTE: For new installations, locate top of wall vent 42 inches above floor to make venting easier to connect.**

# Dryer Exhaust Requirements . . .



## WARNING

A clothes dryer produces combustible lint. To reduce the risk of fire and combustion gas accumulation the dryer **MUST** be exhausted to the outdoors.

W116

This gas appliance contains or produces a chemical or chemicals which can cause death or serious illness and which are known to the State of California to cause cancer, birth defects, or other reproductive harm. To reduce the risk from substances in the fuel or from fuel combustion, make sure this appliance is installed, operated, and maintained according to the instructions in this manual.

W115

To reduce the risk of fire and the accumulation of combustion gases, **DO NOT** exhaust dryer air into a window well, gas vent, chimney or enclosed, unventilated area, such as an attic, wall, ceiling, crawl space under a building or concealed space of a building.

W045

To reduce the risk of fire, **DO NOT** use plastic pipe or flexible plastic pipe to exhaust the dryer.

W041

Never install flexible duct in concealed spaces, such as a wall or ceiling.

## Exhaust System Materials

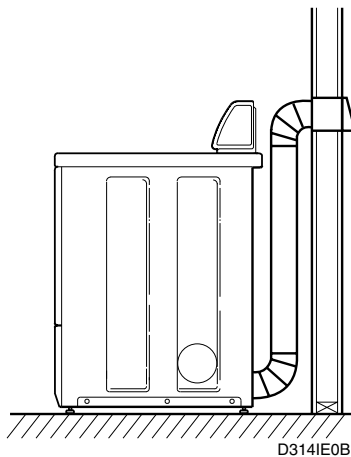
Exhaust duct must be four inches (10.2 cm) in diameter having no obstructions. Rigid metal duct is recommended. Non-combustible semi-rigid flexible metal duct is acceptable. **Do not use** plastic pipe or flexible plastic pipe, because it contributes to poor drying performance and collects lint, which can lead to a fire hazard.

**DO NOT** use sheet metal screws on exhaust pipe joints or other fastening means which extend into the duct that could catch lint and reduce the efficiency of the exhaust system. Secure all joints with duct tape.

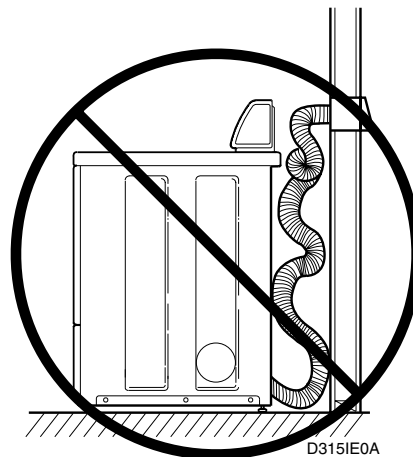
## Make-Up Air Requirements

For proper operation it is important that you locate the dryer in an area that has an ample amount of make-up air to replace the amount exhausted by the dryer.

Energy efficient homes with low air infiltration rates should be equipped with an air exchanger that can accommodate on demand make-up air needs in the home. These devices can be obtained through your building contractor or building material suppliers.



**DO**



**DON'T**

## Exhaust System

**IMPORTANT:** Keep exhaust duct as short as possible.

**NOTE:** Be certain old ducts are cleaned before installing your new dryer.

For best drying results, recommended maximum length of exhaust system is shown below.

To prevent backdraft when dryer is not in operation, outer end of exhaust pipe must have a weather hood with hinged dampers (obtain locally).

**NOTE:** Weather hood should be installed at least 12 inches (30.5 cm) above the ground. Larger clearances may be necessary for installations where heavy snowfall can occur.

## Exhaust Direction

The dryer can be exhausted to the outdoors through the back, left, right or bottom of the dryer. **EXCEPTION:** Gas dryers cannot be vented out the left side because of the burner housing.

Dryer is shipped from factory ready for rear exhaust; **no kits required.**

Exhausting the dryer through sides or bottom can be accomplished by installing a DK1 Sales Accessory (Directional Exhaust Kit 528P3) available as optional equipment at extra cost.



Number of 90° Elbows	Weather Hood Type	
	Recommended	Use only for short run installations
	<p style="text-align: center;">4" (10.16 cm) D0111E2D</p>	<p style="text-align: center;">2-1/2" (6.35 cm) D0111E2E</p>
	<b>Maximum length of 4" (10.2 cm) diameter rigid metal duct.</b>	
0	44 feet (13.4 m)	34 feet (10.4 m)
1	34 feet (10.4 m)	26 feet (7.9 m)
2	26 feet (7.9 m)	20 feet (6.1 m)
3	20 feet (6.1 m)	14 feet (4.3 m)
	<b>Maximum length of 4" (10.2 cm) diameter flexible metal duct.</b>	
0	24 feet (7.3 m)	20 feet (6.1 m)
1	20 feet (6.1 m)	16 feet (4.9 m)
2	16 feet (4.9 m)	12 feet (3.7 m)
3	12 feet (3.7 m)	8 feet (2.4 m)

**NOTE:** Deduct 6 feet (1.8 m) for each additional elbow.

## Exhaust System Maintenance

The dryer interior and the complete exhaust system should be inspected after one year of use and cleaned if necessary. Inspect and clean exhaust duct every one to two years as required thereafter. The weather hood should be checked frequently to make sure the dampers move freely, dampers are not pushed in and that nothing has been set against them. This maintenance work should be done by a qualified service person.

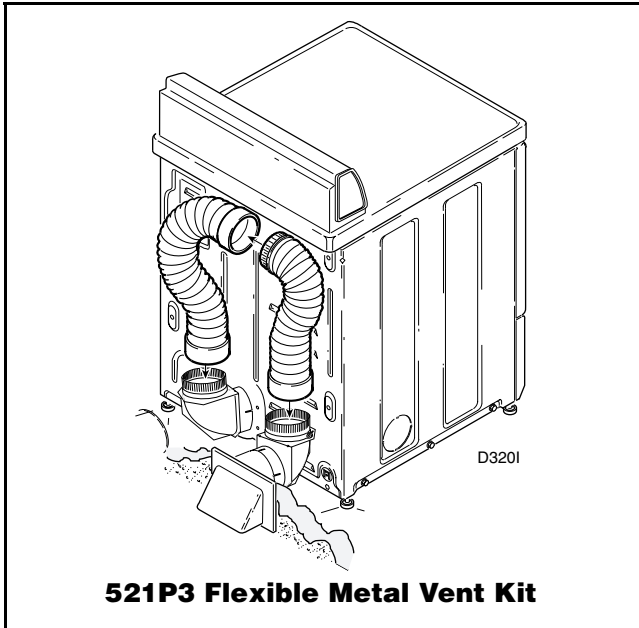


### WARNING

To reduce the risk of electric shock, disconnect the electrical service to the dryer before cleaning.

W043

Exhausting the dryer in hard-to-reach locations can be accomplished by installing the 521P3 Flexible Metal Vent Kit, available as optional equipment at extra cost. The kit comes in two halves that can be separately attached to the dryer and wall outlet. Once attached, the dryer can be slid back into position and the two halves can be connected from the front.

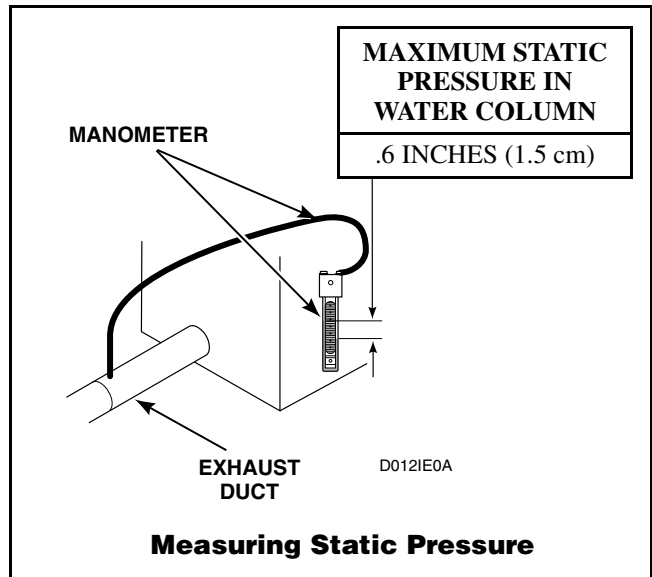


## Dryer Airflow

Efficient dryer operation requires proper dryer airflow. Proper dryer airflow can be evaluated by measuring the static pressure.

Static pressure in the dryer's exhaust duct should be no greater than that shown in the chart below. (Check with dryer running and no load.)

**NOTE:** This can be measured with a manometer placed on the exhaust duct approximately two feet (61 cm) from the dryer, see illustration below.



## Reduced Clearance Elbow

Installing the dryer in shallow closets can be accomplished by using an Elbow, Part No. 62688, which is one inch narrower than a standard venting elbow.



# User-Maintenance Instructions . . .

## Lubrication

All moving parts are sealed in a permanent supply of lubricant or are equipped with oilless bearings. Additional lubrication will not be necessary.

## Care of Your Dryer

Clean the lint filter after drying each load. The lint filter may be washed if needed. Occasionally remove lint filter and vacuum the area under it.

Ordinarily, the dryer cylinder will need no care.

Wipe the dryer cabinet as needed. If detergent, bleach or other washing products have been spilled on the dryer, wipe immediately. Some products will cause permanent damage if spilled on the cabinet.

Do not allow sharp or rough objects to lean against the dryer. The finish could be damaged.

Use only a damp or sudsy cloth for cleaning the control panel. Some spray prewash products may harm the finish on the control panel.

**NOTE: The wiring diagram is located inside the control panel.**

## Exhaust System


The exhaust duct should be inspected after one year of use and cleaned if necessary. Inspect and clean exhaust duct every one to two years as required thereafter.

The weather hood should be checked frequently to make sure the dampers move freely, dampers are not pushed in and that nothing has been set against them.

Keep dryer area clear and free from combustible materials, gasoline and other flammable vapors and liquids.

Do not obstruct the flow of combustion and ventilation air.

**NOTE: Verify proper operation after servicing.**

	<b>CAUTION</b>
<b>Label all wires prior to disconnection when servicing controls. Wiring errors can cause improper and dangerous operation.</b>	
W049	

# Information for Handy Reference . . .

Alliance Laundry Systems LLC  
Shepard Street  
P.O. Box 990  
Ripon, WI 54971-0990

Date Purchased \_\_\_\_\_

Model Number \_\_\_\_\_ Serial Number \_\_\_\_\_

Dealer's Name \_\_\_\_\_

Dealer's Address \_\_\_\_\_ Phone Number \_\_\_\_\_

Service Agency \_\_\_\_\_

Service Agency Address \_\_\_\_\_ Phone Number \_\_\_\_\_

**NOTE: Record the above information and keep your sales slip. Model and serial numbers are located on the nameplate.**



# Instrucciones para la instalación de secadoras automáticas de uso doméstico (eléctricas y a gas)



GUARDE ESTAS INSTRUCCIONES PARA REFERENCIA EN EL FUTURO. (Si la secadora cambia de dueño, asegúrese de que vaya acompañada de estas instrucciones).

**Pieza No. 504607R2**  
**Agosto 1998**



## ADVERTENCIA

**PARA SU SEGURIDAD, deberá seguir la información contenida en el presente manual para minimizar el riesgo de incendio y explosión y para prevenir daños a la propiedad y lesiones personales incluso letales.**

- **No almacene o utilice gasolina o ningún otro vapor o líquido inflamable cerca de ésta o de cualquier otra máquina.**
- **QUÉ HACER SI SIENTE OLOR A GAS:**
  - **No intente encender ninguna máquina.**
  - **No toque ningún interruptor eléctrico; no utilice ningún teléfono del edificio.**
  - **Evacue los ocupantes de la sala, el edificio o el área.**
  - **Llame inmediatamente a la compañía de gas desde el teléfono de un vecino. Siga las instrucciones que le dé la compañía de gas.**
  - **Si no puede ponerse en contacto con la compañía de gas, llame a los bomberos.**
- **La instalación y el mantenimiento deberán ser realizados por un instalador calificado, una empresa de servicio o por la compañía de gas.**

# Índice

<b>Piezas de repuesto</b> .....	25
<b>Dimensiones aproximadas</b> .....	26
<b>Antes de comenzar</b>	
Herramientas .....	27
Ducto de escape .....	27
Requisitos eléctricos .....	27
Requisitos de gas .....	27
Ubicación .....	27
<b>Instalación de la secadora</b>	
PASO 1 (Colocación y nivelación de la secadora) .....	28
PASO 2 (Conexión del sistema de escape de la secadora) .....	28
PASO 3 (Conexión del tubo de suministro de gas) .....	29
PASO 4 (Conexión del enchufe de suministro de energía eléctrica) .....	30
PASO 5 (Limpieza de la parte interna de la secadora) .....	31
PASO 6 (Conexión eléctrica de la secadora) .....	31
PASO 7 (Revisión de la instalación) .....	31
<b>Revisión de la fuente de calor</b> .....	32
<b>Procedimiento para invertir la compuerta</b> .....	33
<b>Instalación en viviendas prefabricadas (móviles)</b> .....	34
<b>Requisitos de energía eléctrica (secadoras eléctricas)</b> .....	35
<b>Conexión del enchufe de suministro de electricidad</b> .....	36
<b>Requisitos de energía eléctrica (secadoras a gas)</b> .....	38
<b>Requisitos del suministro de gas</b> .....	39
<b>Requisitos del lugar</b> .....	40
<b>Requisitos del sistema de escape de la secadora</b>	
Materiales del sistema de escape .....	41
Requisitos de aire de reposición .....	41
Sistema de escape .....	42
Dirección del escape .....	42
Mantenimiento del sistema de escape .....	43
Flujo de aire de la secadora .....	43
Codo de espacio reducido .....	43
<b>Instrucciones de mantenimiento para el usuario</b>	
Lubricación .....	44
Cuidado de la secadora .....	44
Sistema de escape .....	44
<b>Información de referencia a la mano</b> .....	45
<b>Lista de comprobación del instalador</b> .....	Contraportada

## Piezas de repuesto . . .

Si se necesitan piezas de repuesto comuníquese con el vendedor o con

**Alliance Laundry Systems LLC**  
**Shepard Street**  
**P.O. Box 990**  
**Ripon, WI 54971-0990**  
**Teléfono (920) 748-3950**

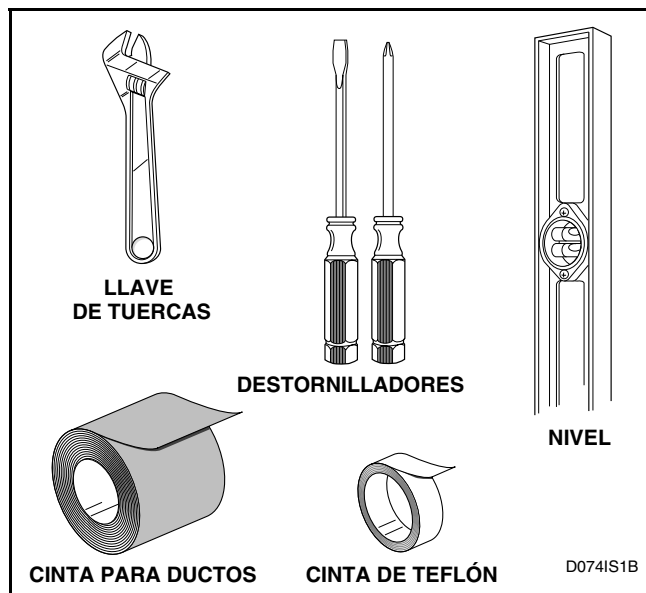
para obtener el nombre y la dirección del distribuidor autorizado de piezas de repuesto.



# Antes de comenzar . . .

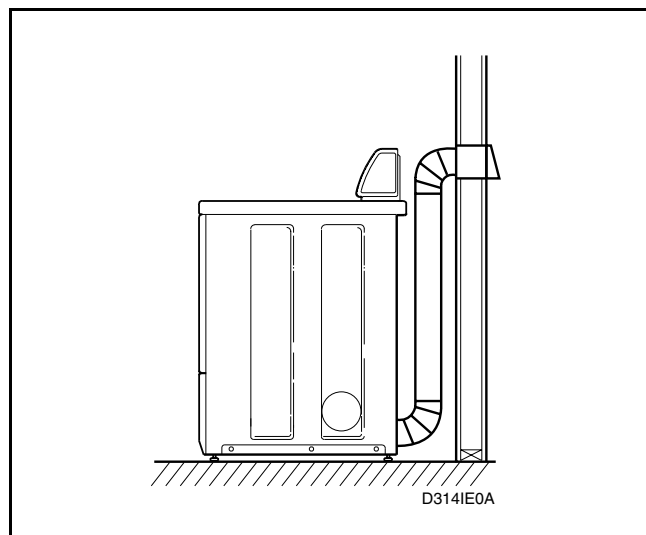
## Herramientas

Éstas son las principales herramientas que necesitará en la mayoría de las instalaciones:



## Ducto de escape

Utilice un ducto metálico rígido y use la ruta más corta posible para el escape de la secadora.



**NOTA:** Para obtener más detalles consulte la sección *Requisitos de escape de la secadora*.

## Requisitos eléctricos

### • SECADORA ELÉCTRICA

La secadora necesita una fuente de suministro de energía eléctrica monofásica de 3 ó 4 terminales, de 120/240 voltios, 60 Hz, 30 Amperios.

### • SECADORA A GAS

Necesita un receptáculo de 3 ranuras polarizado, debidamente conectado a tierra, de 120 voltios, 60 Hz, 15 Amperios.

**NOTA:** Para obtener más detalles, consulte la sección *Requisitos eléctricos*.

## Requisitos de gas

La secadora viene equipada con un tubo de conexión de gas NPT de 3/8 pulgadas para trabajar con gas natural. Véase la sección *Requisitos de gas* para obtener más información.

## Ubicación

Coloque la secadora sobre un piso firme, y en un lugar con ventilación adecuada. Remítase a la sección *Requisitos del lugar* para obtener más información.

# Instalación de la secadora . . .

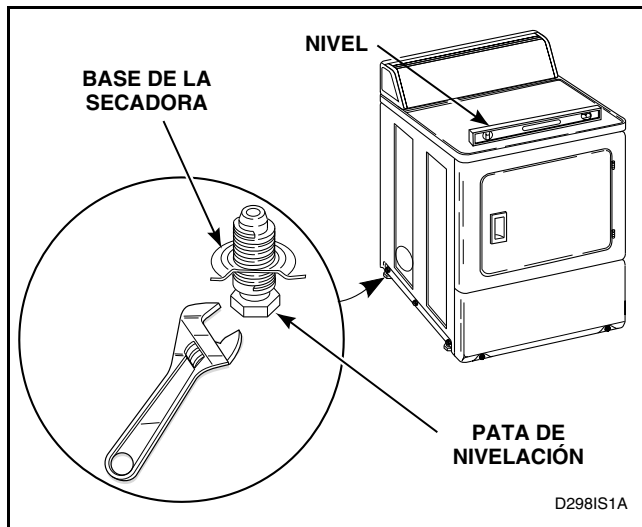
## Paso 1:

### Colocación y nivelación de la secadora

Remítase a la sección *Requisitos del lugar* para obtener una mejor orientación.

Instale la secadora antes que la lavadora. De esta manera tendrá espacio para conectar el ducto de escape.

Coloque la secadora en la posición correspondiente y ajuste las patas hasta que quede nivelada.



## Paso 2:

### Conexión del sistema de escape de la secadora

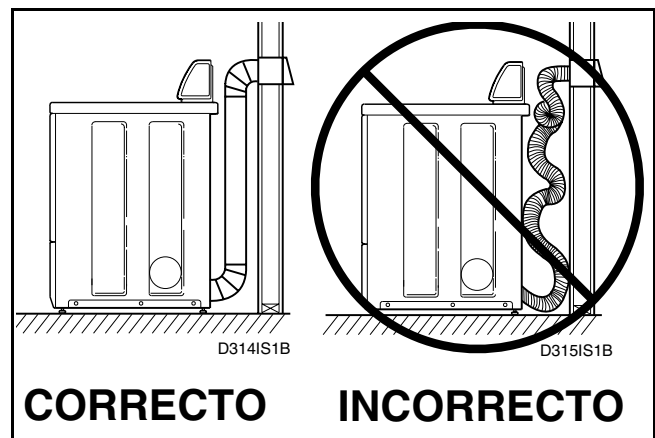
Remítase a la sección *Requisitos del lugar* y *Requisitos de escape de la secadora* para obtener una mejor orientación.



### ADVERTENCIA

Las secadoras de ropa producen pelusas combustibles. Para reducir el riesgo de incendio y acumulación de gases de combustión, la secadora **DEBERÁ** contar con una tubería de escape al exterior.

- NO UTILICE tubos plásticos ni tubos flexibles de lámina metálica delgada.
- Ubique la secadora de tal manera que el ducto de escape tenga la menor longitud posible.
- Asegúrese de que los tubos viejos estén bien limpios antes de instalar su secadora nueva.
- Utilice un tubo metálico flexible o rígido de 4 plg (10,2 cm).
- Use la menor cantidad de codos posibles.
- Utilice cinta aislante para ductos en todas las conexiones o empalmes.
- **La garantía queda sin efecto en caso de una instalación inapropiada del sistema de escape de la secadora.**



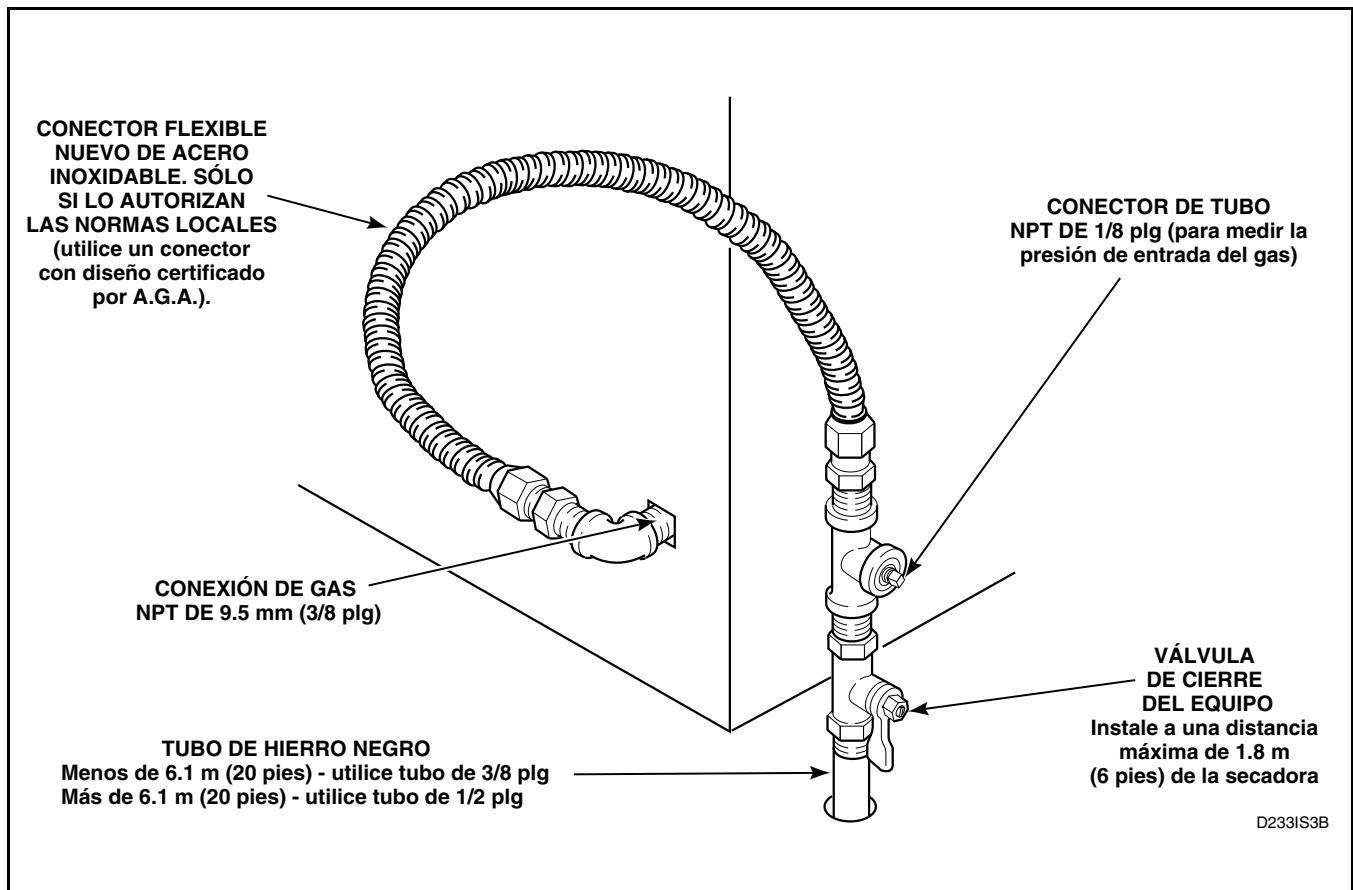
**NOTA:** Los materiales del sistema de ventilación no vienen con la secadora (pueden adquirirse localmente).

## Paso 3: (SÓLO para secadoras a gas)

### Conexión del tubo de suministro de gas

Remítase a la sección *Requisitos de gas* para obtener más información.

1. Asegúrese de que la secadora esté equipada para utilizar el tipo de gas disponible en el área de lavandería. La secadora viene equipada de fábrica con una conexión de gas NPT de 3/8 pulgadas para trabajar con gas natural.
2. Retire la tapa utilizada para fines de embarque de la conexión de gas que se encuentra en la parte trasera de la secadora. Tenga cuidado de no dañar la rosca del tubo cuando saque la tapa.
3. Conecte el tubo de suministro de gas.
4. Apriete bien todas las conexiones. Abra la llave del gas y revise todas las conexiones del tubo (internas y externas) para ver si hay fuga de gas, utilizando con líquido no corrosivo para detectar fugas.
5. En el caso de instalaciones de gas propano líquido, véase la sección *Requisitos de gas*.

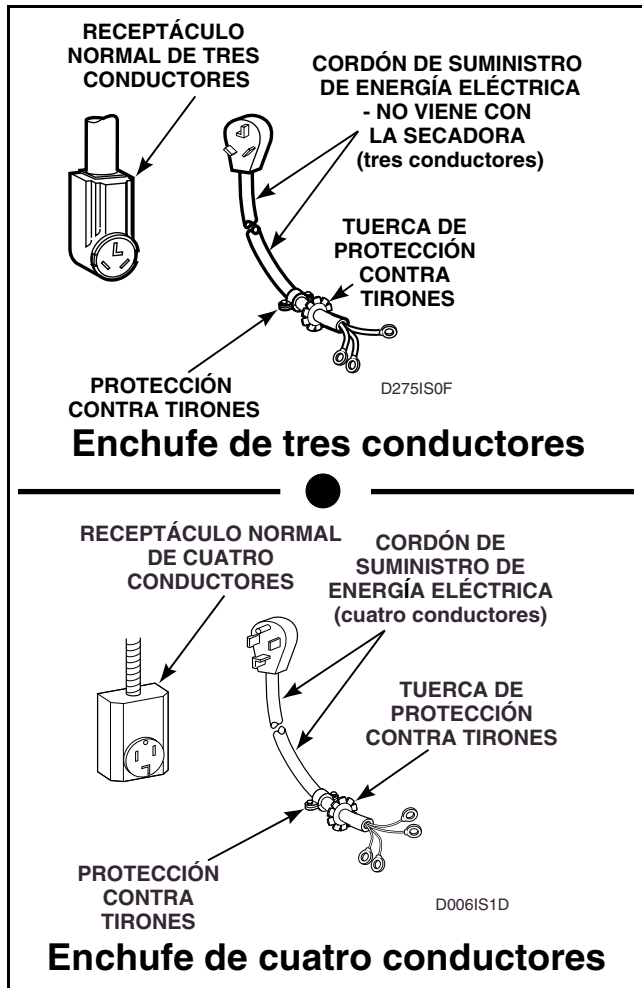


## Paso 4: (SÓLO PARA SECADORAS ELÉCTRICAS)

### Conexión del enchufe de suministro de energía eléctrica

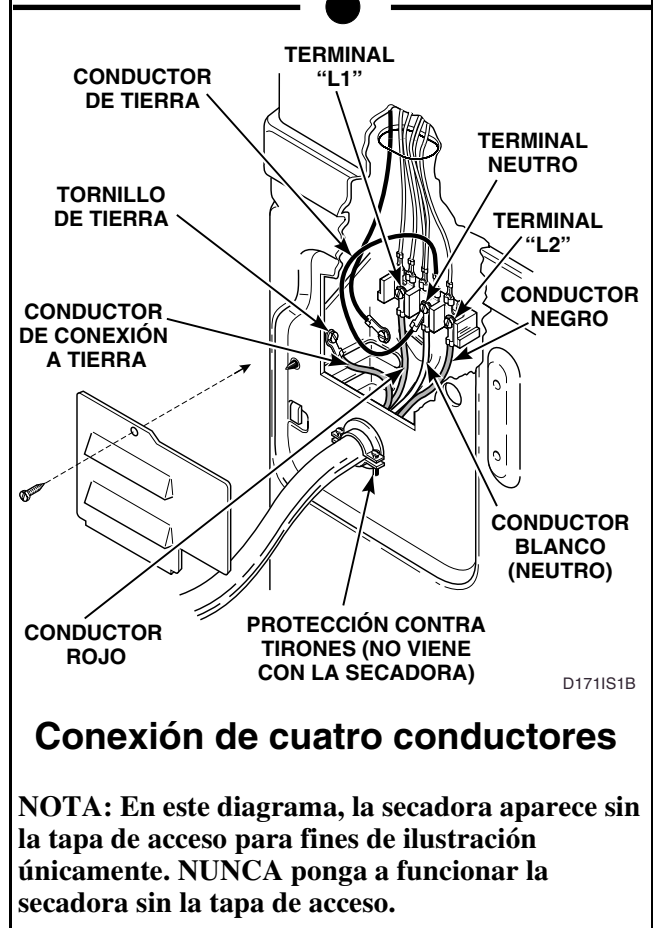
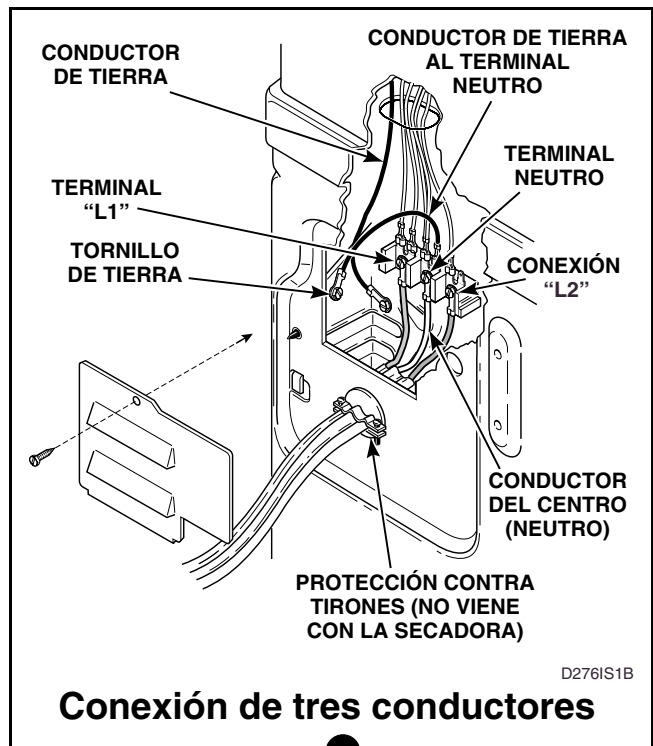
Remítase a la sección *Requisitos eléctricos* para obtener más información.

**IMPORTANTE:** Utilice solamente un cordón de suministro de energía eléctrica, en lista de U.L., de tres conductores de cobre calibre 10 con capacidad para 240 voltios (como mínimo) 30 amperios que indique que es apropiado para secadoras de ropa.



**NOTA:** Remítase a la sección *Conexión del enchufe de suministro de energía eléctrica* para obtener más información sobre la conexión de enchufes de tres o cuatro conductores.

**NOTA:** El cable de cuatro conductores debe utilizarse en el caso de viviendas móviles, o en áreas en las que los códigos no permitan una conexión a tierra a través del conductor neutro.



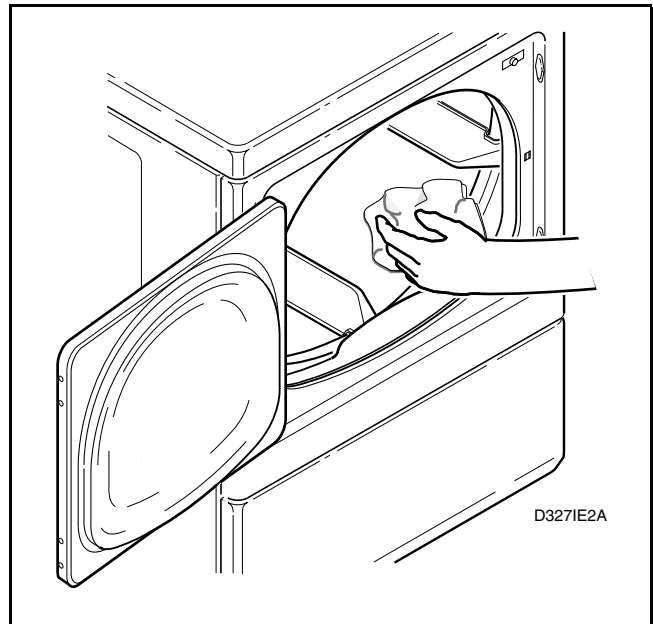
**NOTA:** En este diagrama, la secadora aparece sin la tapa de acceso para fines de ilustración únicamente. **NUNCA** ponga a funcionar la secadora sin la tapa de acceso.



## Paso 5:

### Limpieza de la parte interna de la secadora

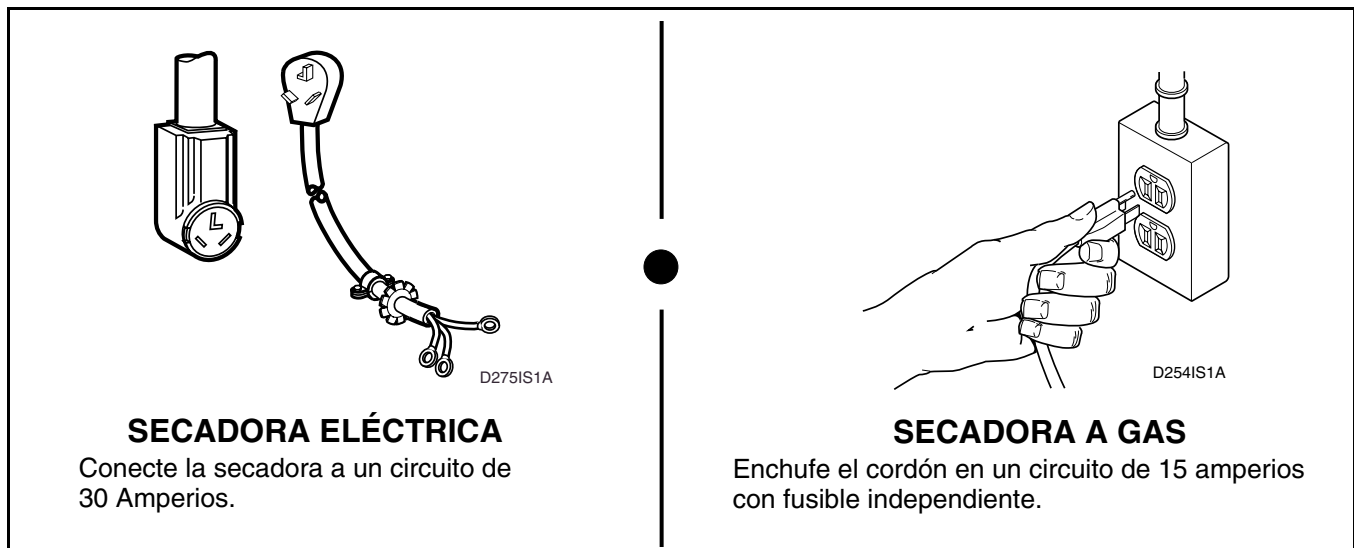
Antes de utilizar la secadora por primera vez, aplique un limpiador para todo uso o una solución de agua y detergente con un paño húmedo, a fin de eliminar el polvo que pueda haber caído en el tambor de la secadora durante el embarque.



## Paso 6:

### Conexión eléctrica de la secadora

Véase la sección *Requisitos eléctricos* y conecte la secadora a un enchufe.



## Paso 7:

### Revisión de la instalación

Remítase a la sección *Revisión del instalador* que aparece en la contraportada de este manual y asegúrese de que la secadora esté correctamente instalada.

# Revisión de la fuente de calor . . .

## Secadoras eléctricas

Cierre la compuerta de carga y ponga a funcionar la secadora ajustando antes el grado de calor (consulte las Instrucciones de operación suministradas con la secadora). Cuando la secadora haya funcionado durante tres minutos, el tubo de escape o de expulsión de aire debe estar caliente.

## Secadoras a gas

Saque el panel frontal inferior de la secadora para ver la llama del quemador.

Cierre la compuerta de carga, ponga a funcionar la secadora ajustando antes el grado de calor (consulte las Instrucciones de operación suministradas con la secadora). La secadora comenzará a funcionar, el dispositivo de encendido se pondrá al rojo vivo y el quemador principal se encenderá.

**IMPORTANTE:** Si no se purga todo el aire de la tubería de gas, el dispositivo de encendido podría apagarse antes de que se encienda el gas. Si esto sucede, después de dos minutos aproximadamente, el dispositivo de encendido intentará encender el gas nuevamente.

Después de que la secadora haya funcionado durante cinco minutos aproximadamente, vea la llama del quemador a través del panel frontal inferior. Ajuste el

obturador de aire para lograr una llama azul, suave y uniforme. (Una llama débil y amarillenta es indicio de falta de aire. Una llama azul ruidosa y muy fuerte revela que hay demasiado aire). Ajuste el obturador de aire de la manera siguiente:

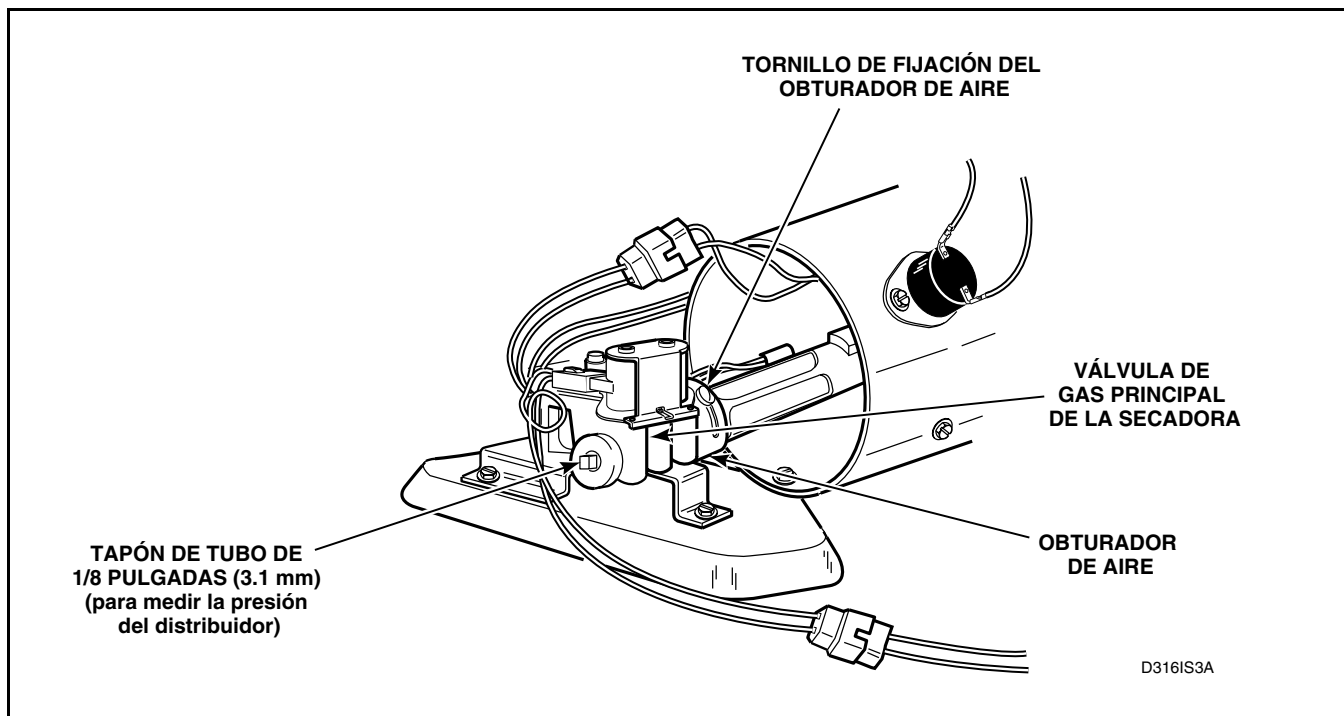
- Afloje el tornillo de fijación del obturador de aire.
- Gire el obturador de aire hacia la izquierda para lograr una llama luminosa con las puntas amarillas. A continuación, gire lentamente el obturador hacia la derecha hasta tener una llama azul suave y estable.
- Después de ajustar el obturador de aire para lograr una llama adecuada, apriete el tornillo de fijación hasta que quede bien asegurado.
- Coloque nuevamente el panel delantero inferior.



## ADVERTENCIA

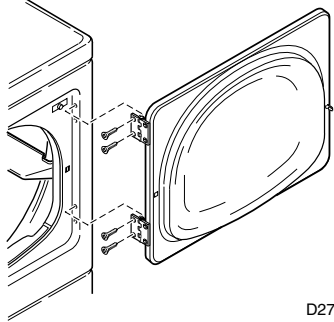
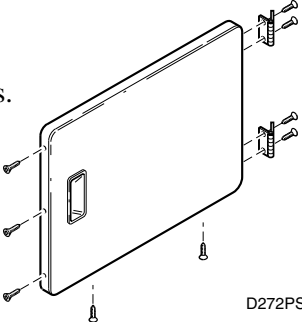
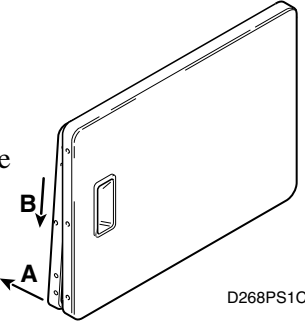
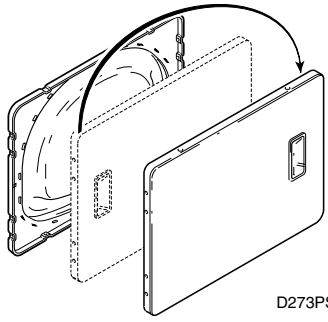
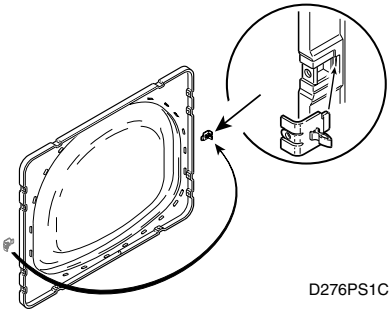
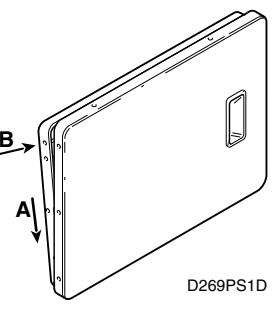
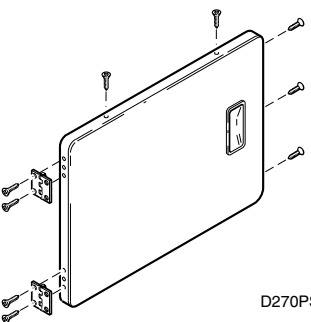
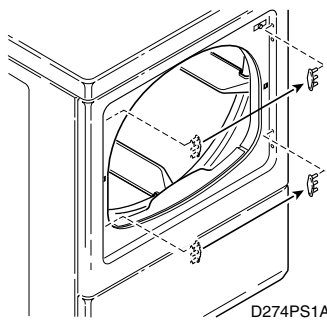
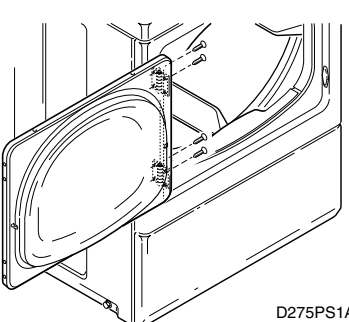
Por razones de seguridad personal, el panel delantero inferior deberá mantenerse instalado en su lugar mientras la máquina esté funcionando.

Después de que la secadora haya funcionado durante tres minutos aproximadamente, el tubo de escape o de expulsión de aire debe estar caliente.



# Procedimiento para invertir la compuerta . . .

La compuerta de la secadora es totalmente reversible. Para invertir la compuerta, siga los pasos descritos a continuación:

<p><b>1</b></p> <p>Retire los cuatro tornillos que fijan la bisagra.</p>  <p>D271PS1A</p>	<p><b>2</b></p> <p>Saque los nueve tornillos.</p>  <p>D272PS1A</p>
<p><b>3</b></p> <p>Tire de la parte inferior del revestimiento de la compuerta. Seguidamente tire hacia abajo y saque el revestimiento del panel de la compuerta.</p>  <p>D268PS1C</p>	<p><b>4</b></p> <p>Gire el panel de la compuerta 180 grados, tal como se indica en el diagrama.</p>  <p>D273PS1C</p>
<p><b>5</b></p> <p>Retire el gancho de la compuerta del revestimiento y colóquelo en el lado contrario.</p>  <p>D276PS1C</p>	<p><b>6</b></p> <p>Inserte el forro debajo del reborde en la parte inferior de la puerta y seguidamente empuje la parte superior de la puerta hasta que quede en su lugar.</p>  <p>D269PS1D</p>
<p><b>7</b></p> <p>Coloque de nuevo los nueve tornillos que sacó en el Paso 2.</p>  <p>D270PS1C</p>	<p><b>8</b></p> <p>Con ayuda de un destornillador, saque los dos tapones de la compuerta y colóquelos en el lado opuesto al lado por el que abre la compuerta.</p>  <p>D274PS1A</p>
<p><b>9</b></p> <p>Coloque nuevamente los cuatro tornillos para fijar la bisagra que sacó en el Paso 1.</p>  <p>D275PS1A</p>	

# Instalación en viviendas prefabricadas (móviles) . . .

**IMPORTANTE:** La instalación debe hacerse de acuerdo con las Normas de seguridad y de construcción de viviendas prefabricadas, Título 24 CFR, Parte 32-80, o con la Norma CAN/CSA-Z240 MH.

La secadora puede instalarse en una casa prefabricada (móvil), siguiendo estas instrucciones:

1. **IMPORTANTE:** Las secadoras a gas **DEBERÁN** fijarse al piso de manera permanente durante la instalación. Pida el **Conjunto de instalación de secadora N° 526P3 para la instalación en casas prefabricadas (móviles)**. Siga las instrucciones que vienen con el conjunto de instalación.
2. Los conectores eléctricos (únicamente en el caso de las secadoras eléctricas) deben ser de 4 conductores (véase la página 36).
3. Sistema de aberturas de escape. El sistema de escape de la secadora **DEBERÁ** descargarse hacia el exterior de la vivienda.



## ADVERTENCIA

**Para reducir el peligro de incendio y acumulación de gases de combustión, la secadora DEBERÁ CONTAR CON UNA TUBERÍA DE ESCAPE AL EXTERIOR. Consulte la sección acerca de los requisitos de escape de la secadora.**

- El sistema de escape de la secadora debe descargarse hacia el exterior de la vivienda, a través del panel inferior, derecho, izquierdo o trasero. El sistema de escape de las secadoras a gas no puede descargarse por el lado izquierdo, debido a que allí se encuentra la caja del quemador.
- El ducto del sistema de escape de la secadora debe fijarse a la estructura de la casa móvil.
- Los ductos de escape **NO DEBERÁN** conectarse utilizando tornillos o sujetadores de chapa metálica que se extiendan hacia dentro el ducto.

- Los ductos de escape no deberán conectarse a otro ducto, abertura de escape o chimenea.
- Los ductos de escape de la secadora **NO DEBERÁN** terminar por debajo de la casa móvil.
- Para un funcionamiento adecuado, la secadora debe contar con suficiente aire de reposición proveniente del exterior. El espacio libre de cualquier agujero hecho para la entrada de aire del exterior debe ser de por lo menos 25 plg<sup>2</sup> (163 cm<sup>2</sup>).
- Cuando el sistema de escape de una secadora se descarga hacia el exterior, dicha secadora puede instalarse dejando un área de despeje a los lados y en la parte trasera de 0 plg. El área de despeje o espacio libre del ducto de escape con respecto a la construcción donde se encuentra el combustible debe ser por lo menos de 2 plg (5,08 cm).
- El material del sistema de aberturas de escape no se suministra con la secadora (puede adquirirse localmente).



## ADVERTENCIA

**Para reducir el riesgo de incendio, el ducto de escape y la tapa para intemperie DEBERÁN estar fabricadas de un material que no favorezca la combustión. Para las secadoras de ropa se recomienda utilizar tubo metálico, ya sea rígido o flexible.**

# Requisitos de energía eléctrica

(secadoras eléctricas)

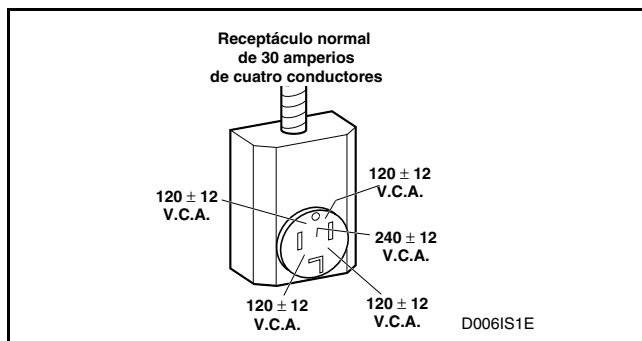
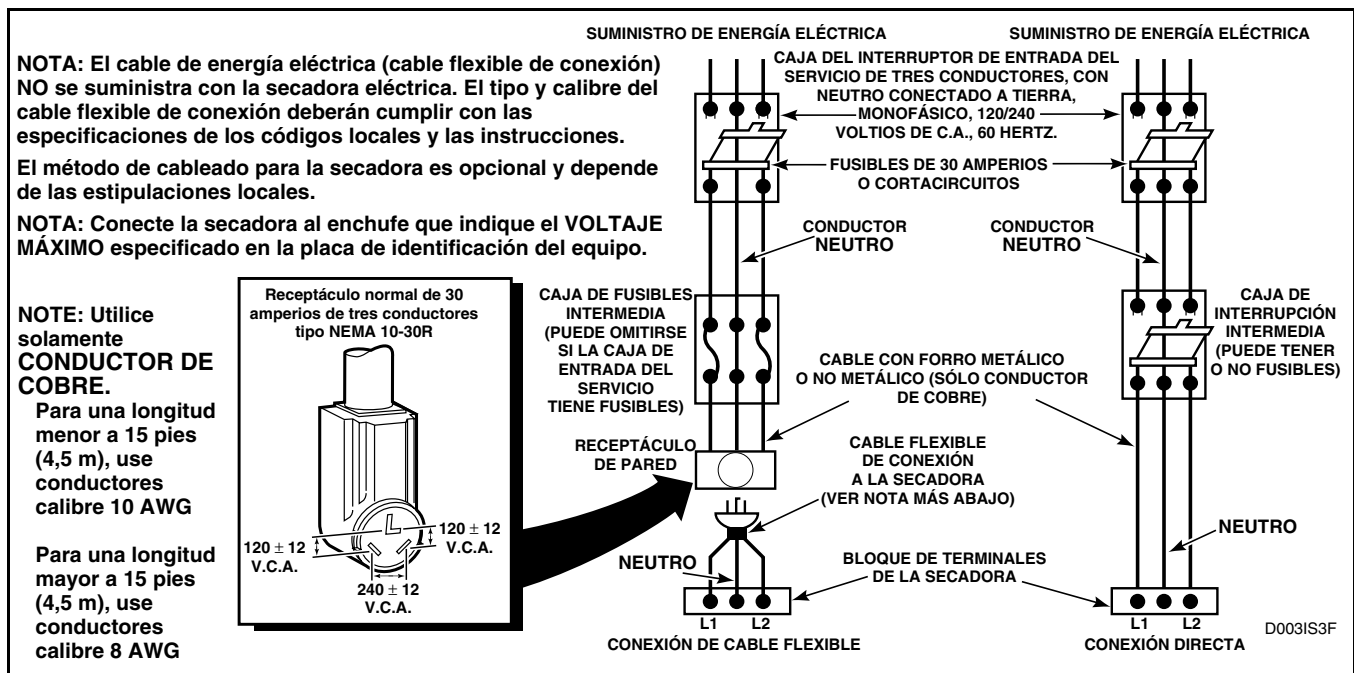
NOTA: El diagrama de cableado se encuentra dentro de la campana de control.

## Instrucciones para la conexión a tierra

Esta secadora debe conectarse a un sistema de cableado permanente que conecte las piezas metálicas a tierra o, alternativamente, debe tenderse un conductor de tierra con los conductores del circuito que alimentan el equipo y conectarlo al terminal de conexión de tierra de la secadora.

### ADVERTENCIA

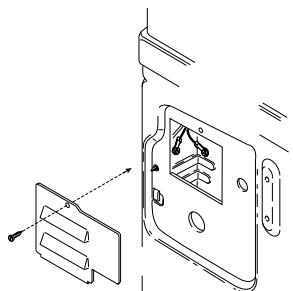
Para reducir el riesgo de incendio, descarga eléctrica, lesiones graves o letales, todo el cableado y las conexiones a tierra **DEBERÁN** satisfacer la edición más reciente de las Normas para Instalaciones Eléctricas de los Estados Unidos (National Electrical Code), ANSI/NFPA 70 o las Normas para Instalaciones Eléctricas de Canadá, CSA C22.1, así como las normas locales aplicables. Es responsabilidad del cliente hacer revisar el cableado y los fusibles por un electricista calificado para asegurarse de que su casa cuenta con la capacidad de energía eléctrica necesaria para hacer funcionar la secadora.



# Conexión del enchufe de suministro de electricidad . . .

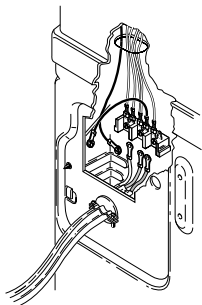
## Enchufe de tres conductores

1. Saque la tapa de acceso ubicada en la parte trasera de la secadora.



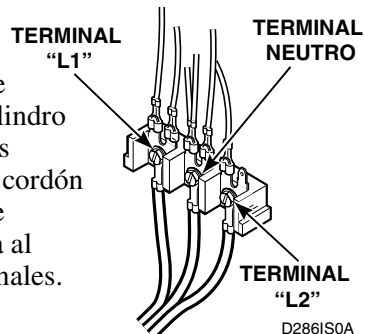
D2841E0C

2. Utilice un protector contra tirones e inserte el cordón de suministro de energía a través del agujero de suministro de energía eléctrica.



D2851E0D

3. Utilice los tres tornillos que están en el sobre ubicado en el cilindro para conectar los conductores del cordón de suministro de energía eléctrica al bloque de terminales.

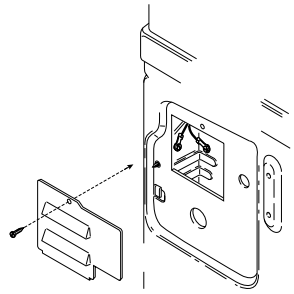


D2861S0A

4. Apriete todos los tornillos y reinstale la tapa de acceso que quitó en el Paso 1.

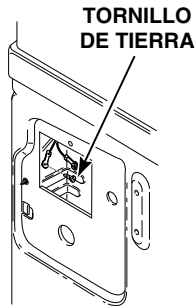
## Enchufe de cuatro conductores

1. Saque la tapa de acceso ubicada en la parte trasera de la secadora.



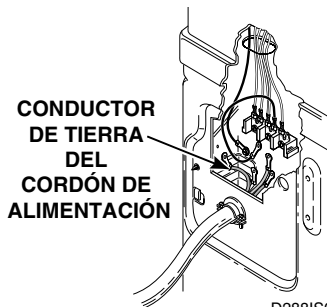
D284IE0C

2. Saque el tornillo de tierra y guárdelo para utilizarlo en el Paso 4. Retire el conductor y úselo en el Paso 5.



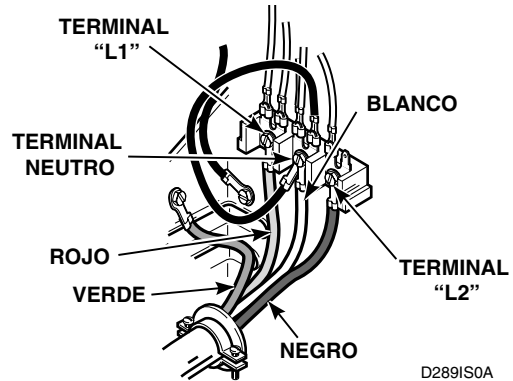
D287IS0A

3. Use un protector contra tirones e inserte el extremo del cordón de suministro de energía a través del orificio de suministro de energía eléctrica.



D288IS0A

4. Conecte el conductor de tierra (verde) al tabique trasero utilizando los tornillos de tierra que retiró en el Paso 2.



D289IS0A

5. Utilice los tres tornillos de tierra en el sobre ubicado en el cilindro para conectar el resto de los conductores del cordón de suministro de energía eléctrica al bloque del terminales como se indica a continuación:

- a. Conductor rojo al terminal "L1".
- b. Conductor negro al terminal "L2".
- c. Conductor blanco al terminal neutro.


**NOTA:** Cuando instale el conductor blanco, enlace el extremo del ojete libre del conductor de tierra (que sacó en el Paso 2) y conéctelo junto con el conductor blanco al terminal neutro (centro) en el bloque de terminales.

6. Apriete todos los tornillos y coloque nuevamente la tapa de acceso que sacó en el Paso 1.

# Requisitos de energía eléctrica . . .

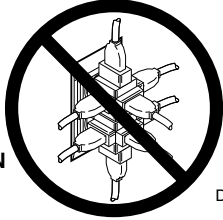
(Secadoras a gas)

NOTA: El diagrama de cableado se encuentra dentro de la campana de control.

 **ADVERTENCIA**

Para reducir el riesgo de incendio, descarga eléctrica, lesiones graves o letales, todo el cableado y las conexiones a tierra **DEBERÁN** satisfacer la edición más reciente de las Normas para Instalaciones Eléctricas de los Estados Unidos (National Electrical Code), ANSI/NFPA 70 o las Normas para Instalaciones Eléctricas de Canadá, CSA C22.1, así como las normas locales aplicables. Es responsabilidad del cliente hacer revisar el cableado y los fusibles por un electricista calificado para asegurarse de que su casa cuenta con la capacidad de energía eléctrica necesaria para hacer funcionar la secadora.


- NO SOBRECARGUE LOS CIRCUITOS
- NO UTILICE ADAPTADOR
- NO UTILICE CORDÓN DE EXTENSIÓN



D009IS1D


## Instrucciones para la conexión a tierra

La secadora deberá conectarse a tierra. La conexión a tierra reduce los riesgos de cortocircuitos en caso de mal funcionamiento o averías eléctricas, creando una ruta de menor resistencia para la corriente eléctrica. La secadora tiene un cordón con un conductor de tierra del equipo y un enchufe de tierra de tres terminales. Este enchufe deberá conectarse directamente a un receptáculo de 110/120 voltios de C.A. (corriente alterna) y 15 amperios de tres ranuras debidamente conectado a tierra.

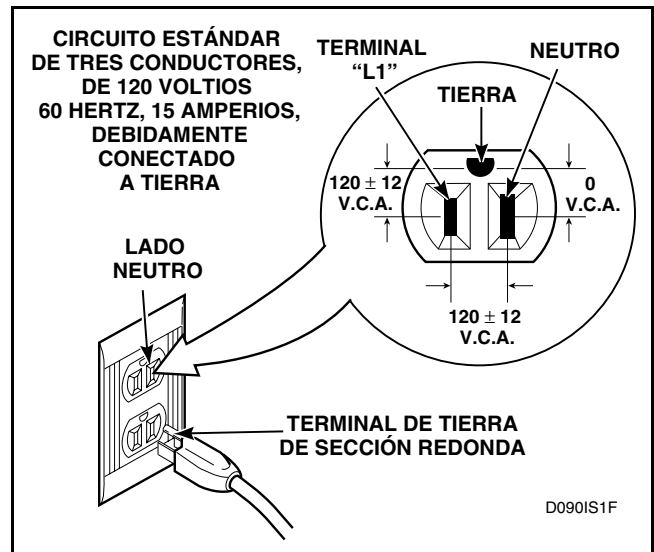
 **ADVERTENCIA**

La conexión indebida del conductor de tierra del equipo podría poner a las personas en riesgo de descarga eléctrica. Consulte a un técnico de mantenimiento o electricista calificado si no está seguro de que la secadora está debidamente conectada a tierra.

No realice modificaciones en el enchufe que trae la secadora. Si el enchufe no entra en el receptáculo de pared, contrate los servicios de un electricista calificado para que instale el receptáculo de pared adecuado.


 **ADVERTENCIA**

Esta secadora está equipada con un enchufe de tres terminales (con conexión a tierra) para protegerlo contra posibles descargas eléctricas, el cual deberá enchufarse directamente a un receptáculo de tres terminales debidamente conectado a tierra. No corte o anule el terminal de tierra del enchufe.



NOTA: Llame a un electricista calificado para que revise la polaridad del receptáculo de pared. Si la lectura del voltaje es distinta a la que aparece en la ilustración, el electricista debe solucionar el problema.

No utilice el mismo circuito para poner a funcionar otros electrodomésticos, cuando la secadora esté funcionando.

 **ADVERTENCIA**

Para reducir el riesgo de descargas eléctricas o incendio, **NO** utilice un adaptador o cordón de extensión para conectar la secadora a la fuente de energía eléctrica.



# Requisitos del suministro de gas . . .

(Secadoras a gas)

**NOTA:** El servicio de gas para las secadoras a gas debe cumplir con las estipulaciones de los códigos y ordenanzas locales, y en ausencia de los mismos, deberá suministrarse de acuerdo con la edición más reciente del Código nacional sobre gas combustible ANSI Z223.1/NFPA 54, o el Código nacional para la instalación de gas combustible CAN/CGA-B149.

**Gas natural**, 1000 Btu/pie<sup>3</sup> (37.3 MJ/m<sup>3</sup>) - El servicio de gas deberá suministrarse a una presión de columna de agua de 6,5 ± 1,5 pulgadas.

Para un funcionamiento apropiado a altitudes superiores a los 2.500 pies (760 m), el tamaño del orificio del mechero de la válvula de gas debe reducirse, a fin de garantizar una combustión completa. Véase el cuadro de la derecha.

**Gas propano líquido**, 2500 Btu/pie<sup>3</sup> (93.1 MJ/m<sup>3</sup>), - El servicio de gas deberá suministrarse a una presión de columna de agua de 10 ± 1,5 pulgadas.


**NOTA:** NO conecte la secadora al servicio de gas propano líquido sin la previa conversión de la válvula de gas. Deberá hacer que el concesionario o distribuidor autorizado por el fabricante, o personal de servicio local, instale un conjunto de conversión a gas propano líquido (Nº 458P3).

**NOTA:** La secadora y su válvula de gas principal deben desconectarse del tubo de suministro de gas durante la realización de pruebas de presión del sistema, cuando se registren presiones de prueba superiores a 1/2 psi (3,45 kPa). (Véase la ilustración de la página 10).

La secadora debe aislarse de la tubería de suministro de gas, cerrando la válvula de interrupción del equipo durante cualquier prueba de presión del tubo de suministro de gas, en caso de aplicarse presiones de prueba iguales o menores a 1/2 psi (3,45 kPa).

**NOTA:** Cuando se conecte a una tubería de gas, la válvula de interrupción del equipo debe instalarse a una distancia no mayor de 6 pies (1,8 m) de la secadora. Asimismo, debe instalarse un tapón de tubo N.P.T. de 1/8 pulgadas tal como se indica en la figura.

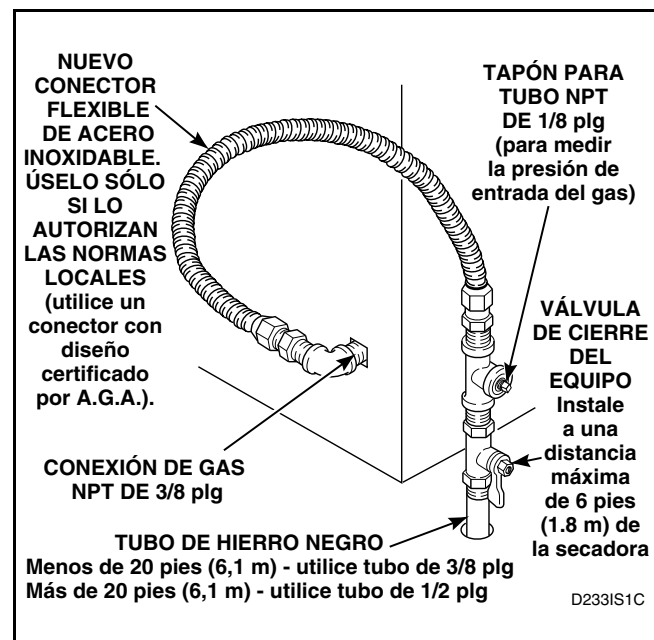
Altitud		Tamaño del orificio			Número de pieza
Pies	Metros	Nº	Pulgadas	Milímetros	
3000	915	43	0,0890	2,26	503778
6000	1830	44	0,0860	2,18	58719
8000	2440	45	0,0820	2,08	503779
9000	2740	46	0,0810	2,06	503780
10000	3050	47	0,0785	1,99	503781



## ADVERTENCIA

**Para reducir el peligro de fugas de gas, incendio o explosión:**

- La secadora deberá conectarse al tipo de gas indicado en la placa de identificación fijada en la compuerta.
- Utilice un conector flexible nuevo de acero inoxidable.
- Utilice compuesto para uniones de tubería que sea insoluble en gas propano líquido o, en su defecto, cinta de teflón, en todas las roscas de unión de tubería.
- Purgue el aire y sedimentos de la línea de suministro de gas antes de conectarla a la secadora. Antes de apretar la conexión, purgue el aire remanente de la línea de gas a la secadora hasta que se detecte olor a gas. Este paso es necesario para evitar la contaminación de la válvula de gas.
- No utilice una llama para comprobar que no hay fugas de gas. Utilice un líquido detector de fugas no corrosivo.



# Requisitos del lugar . . .

Seleccione un área donde el piso sea firme.

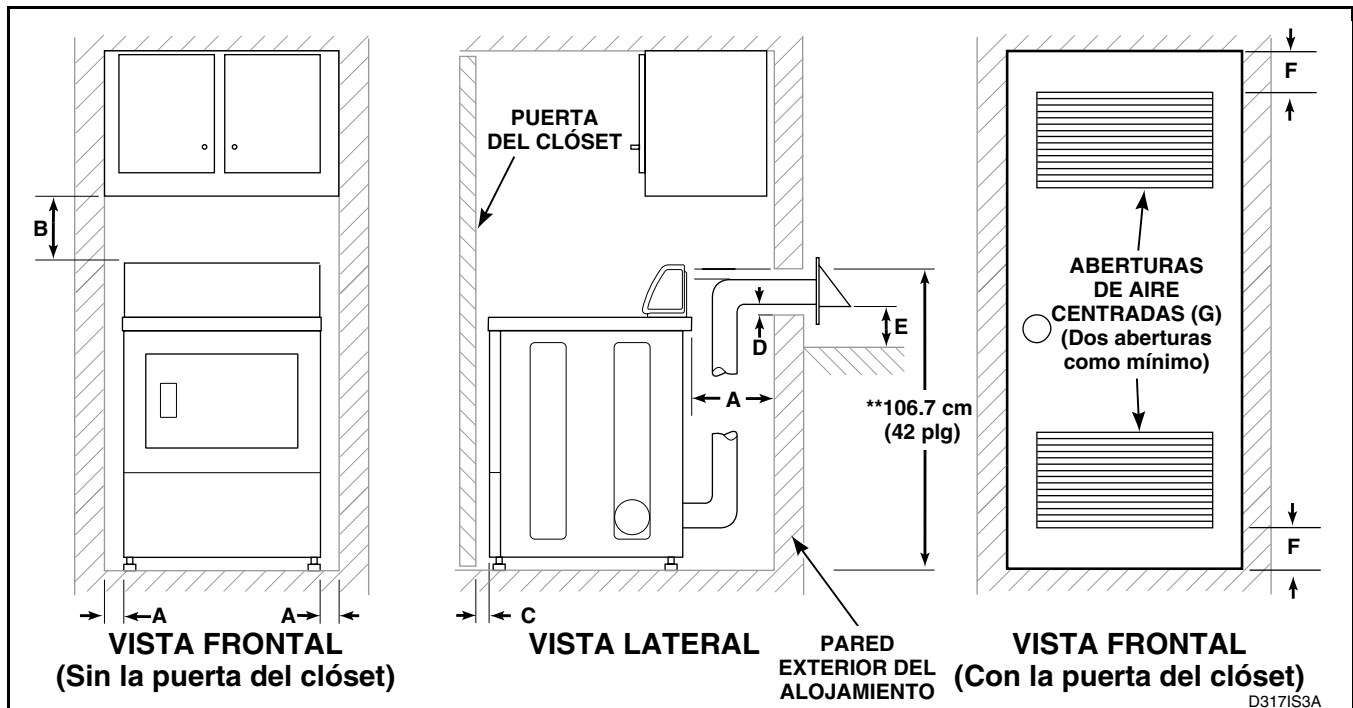
No debe instalar otro aparato de encendido con combustible en el mismo mueble empotrado donde se encuentra la secadora.

La secadora no debe instalarse o colocarse en un área donde esté expuesta al agua o a la intemperie.

Las patas de nivelación pueden ajustarse desde la parte interna de la secadora con un destornillador de 1/4 de

pulgada. Las cuatro patas deben descansar firmemente sobre el piso, de manera que el peso de la secadora quede distribuido uniformemente. La secadora no debe quedar coja.

La secadora necesita un espacio libre y un suministro de aire suficientes para un funcionamiento y ventilación idóneos, y una instalación y mantenimiento más fáciles. El espacio libre mínimo aparece a continuación.



D317IS3A

ÁREA	DESCRIPCIÓN	INSTALACIÓN EN GABINETE/LIBRE (ver ilustración)	INSTALACIÓN EN CLÓSET (ver ilustración)
A	Espacio libre a los lados y por la parte trasera de la secadora	0 plg (0 cm)	0 plg (0 cm)
B	Espacio libre por arriba	12 plg (30,5 cm)	12 plg (30,5 cm)
C	Espacio libre por la parte delantera	No corresponde	2 plg (5,1 cm)
D	Separación entre el ducto de escape y material combustible	2 plg (5,1 cm)	2 plg (5,1 cm)
E	Espacio entre la tapa para intemperie y la tierra	12 plg (30,5 cm)	12 plg (30,5 cm)
F	Distancia entre el piso o techo y el borde del orificio	No corresponde	3 plg (7,6 cm)
G*	Área de los agujeros de entrada de aire centrados en la puerta del clóset	No corresponde	Orificio de 40 plg <sup>2</sup> (260 cm <sup>2</sup> )

\*Puede utilizarse una puerta con rejillas de ventilación con aberturas de escape equivalentes (se muestran los espacios libres mínimos).

**\*\* NOTA:** En el caso de instalaciones nuevas, coloque el agujero de la parte superior de la pared a 42 plg (107 cm) por encima del piso, para facilitar la conexión del sistema de ventilación.

# Requisitos del sistema de escape de la secadora . . .



## ADVERTENCIA

Las secadoras de ropa producen pelusas combustibles. Para reducir el peligro de incendio y acumulación de gases de combustión, la secadora **DEBERÁ** contar con una tubería de escape al exterior.

Este electrodoméstico a gas contiene o produce uno o más productos químicos que pueden ser altamente nocivos o incluso letales, y que el Estado de California, EE.UU., ha identificado como causantes de cáncer, defectos de nacimiento y otros peligros para la reproducción. Para reducir el peligro que representan las sustancias presentes en el combustible o en su combustión, asegúrese de instalar, operar y mantener este electrodoméstico según las instrucciones que aparecen en este manual.

Para reducir el riesgo de incendio y acumulación de gases de la combustión, **NO** libere el escape de la secadora a través de un agujero en una ventana, agujero de ventilación de gas, chimenea o en un área cerrada sin ventilación, como por ejemplo ático, pared, techo, espacio vacío de poca altura debajo de un edificio o cualquier otro espacio cerrado.

Para reducir el riesgo de incendio, **NO** utilice tubos de plástico ni tubos de plástico flexibles en el escape de la secadora.

Nunca instale el ducto flexible en espacios ocultos, como por ejemplo una pared o el techo.

## Materiales del sistema de escape

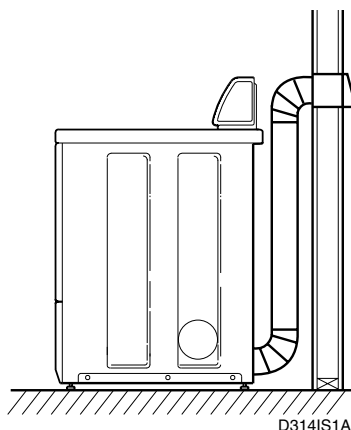
El ducto de escape de la secadora deberá tener cuatro pulgadas (10,2 cm) de diámetro y no tener ningún tipo de obstrucción. Se recomienda un ducto metálico rígido. También puede utilizarse un ducto metálico flexible semirrígido fabricado con un material que no sea combustible. **No utilice** tubos de plástico ni tubos de plástico flexibles, ya que contribuyen a un funcionamiento deficiente de la secadora y captan pelusas, lo que podría constituir riesgo de incendio.

**NO UTILICE** tornillos autorroscantes u otro tipo de piezas de sujeción que sobresalga por la parte interior del ducto y que pudiera captar pelusas y reducir la eficiencia del sistema de escape. Asegure bien todas las conexiones con cinta aislante para ductos.

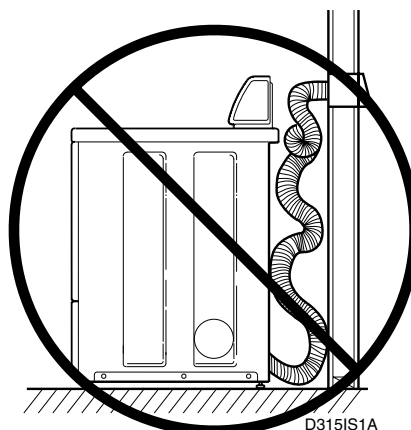
## Requisitos de aire de reposición

Para un buen funcionamiento de la secadora, colóquela en un área con un flujo suficiente de aire de reposición, a fin de sustituir el aire expulsado por el sistema de escape de la secadora.

Las viviendas eficientes en el consumo de energía eléctrica por tener niveles bajos de filtración de aire deberán equiparse con un intercambiador de aire que pueda adaptarse a las necesidades de aire de reposición en el hogar. Estos dispositivos pueden adquirirse a través del contratista de construcción del inmueble o proveedores de materiales de construcción.



**CORRECTO**



**INCORRECTO**

## Sistema de escape

**IMPORTANTE:** Mantenga el ducto de escape lo más corto posible.

**NOTA:** Asegúrese de que los ductos viejos estén limpios antes de instalar su secadora nueva.

Para un mejor secado, se recomienda no sobrepasar la longitud máxima especificada en el diagrama para el sistema de escape.

A fin de evitar la entrada de partículas cuando la secadora no esté funcionando, el extremo exterior del tubo de escape debe tener una tapa articulada para intemperie equipada con resorte (se adquiere localmente).

**NOTA:** La tapa para intemperie debe instalarse por lo menos 12 plg (30,5 cm) por encima de la tierra. En instalaciones donde es posible la caída de una gran cantidad de nieve se requerirán alturas mayores.

## Dirección del escape

El sistema de escape de la secadora puede descargarse hacia el exterior, por la parte trasera, izquierda, derecha o inferior de la secadora.

**EXCEPCIÓN:** Las secadoras a gas no pueden tener aberturas de escape en la parte izquierda, debido a que

allí se encuentra la caja del quemador.

La secadora sale de la fábrica lista para que se le instale el sistema de escape en la parte trasera. **No requiere piezas adicionales.**

El sistema de escape de la secadora que se instala a los lados o en la parte inferior puede conectarse utilizando un accesorio DK1 (conjunto de piezas para el sistema de escape direccional 528P3) que puede obtenerse de manera opcional con un costo adicional.



Cantidad de codos de 90°	Tipo de tapa para intemperie	
	Modelo recomendado	Use únicamente con instalaciones cortas
	<p>10.2 cm (4 plg) D0111S2D</p>	<p>6.35 cm (2-1/2 plg) D0111S2E</p>
<b>Longitud máxima del ducto metálico rígido de 4 plg (10,2 cm) de diámetro.</b>		
0	44 pies (13,4 m)	34 pies (10,4 m)
1	34 pies (10,4 m)	26 pies (7,9 m)
2	26 pies (7,9 m)	20 pies (6,1 m)
3	20 pies (6,1 m)	14 pies (4,3 m)
<b>Longitud máxima del ducto metálico flexible de 4 plg (10,2 cm) de diámetro.</b>		
0	24 pies (7,3 m)	20 pies (6,1 m)
1	20 pies (6,1 m)	16 pies (4,9 m)
2	16 pies (4,9 m)	12 pies (3,7 m)
3	12 pies (3,7 m)	8 pies (2,4 m)

**NOTA:** Reste 6 pies (1,8 m) por cada codo adicional.

## Mantenimiento del sistema de escape

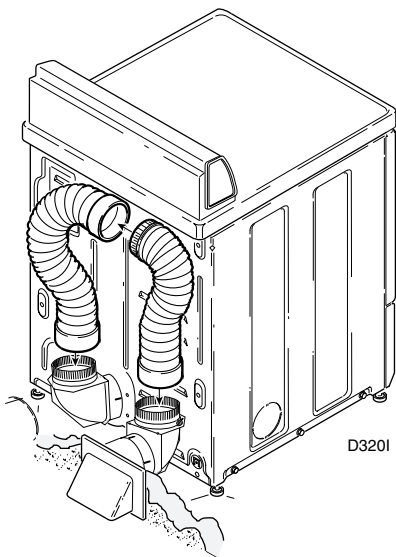
Después de utilizar la secadora durante un año, debe inspeccionarse el interior de la misma y el sistema de escape y limpiarlos si es necesario. En lo sucesivo, revise y limpie el ducto de escape cada uno o dos años, según sea necesario. La tapa para intemperie debe revisarse frecuentemente para asegurarse de que la tapa del mecanismo articulado no esté bloqueada o hundida, y que no se haya pegado nada al mismo. Este mantenimiento debe ser realizado por personal calificado.



### ADVERTENCIA

**Para reducir el peligro de descarga eléctrica, desconecte el suministro eléctrico a la secadora antes de limpiarla.**

Para verter el producto del sistema de escape hacia un lugar de difícil acceso, puede instalarse el Conjunto de ducto de escape metálico flexible 521P3, disponible como equipo opcional con un costo adicional. El conjunto consta de dos piezas que pueden conectarse por separado a la secadora y a la toma de pared. Una vez fijadas ambas piezas, puede colocarse la secadora nuevamente en la posición adecuada y dichas piezas pueden conectarse desde la parte delantera de la secadora.



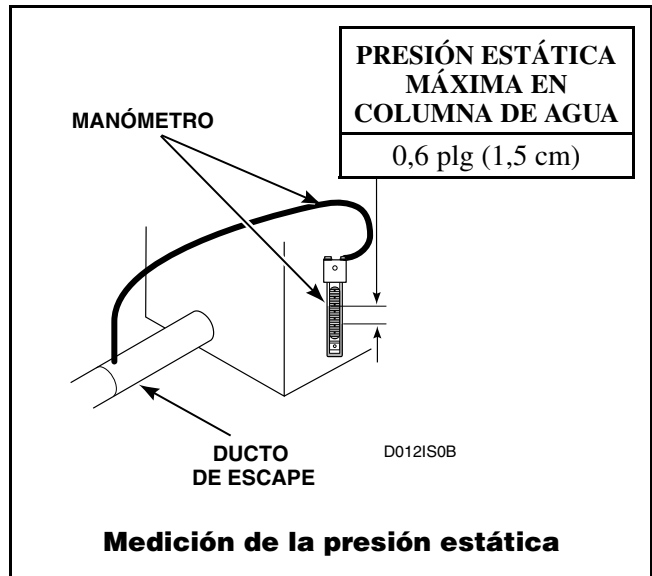
**Conjunto de ducto de escape metálico flexible 521P3**

## Flujo de aire de la secadora

Para funcionar adecuadamente, la secadora debe contar con el flujo de aire apropiado. Puede determinar si el flujo de aire es adecuado midiendo la presión estática.

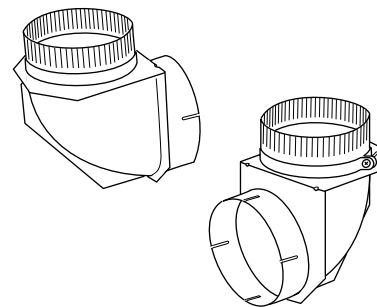
La presión estática del ducto de escape de la secadora no debe ser mayor a la que se indica en el diagrama. (Revise la presión con la secadora funcionando sin carga de ropa).

**NOTA: La presión puede medirse colocando un manómetro en el ducto de escape a aproximadamente dos pies (61 cm) de la secadora. Véase la ilustración siguiente.**



## Codo para espacio reducido

Cuando se instala la secadora en un clóset poco profundo, puede utilizarse un Codo, Pieza No. 62688, que es una pulgada más delgado que el codo para abertura de escape estándar.



**Codo para espacio reducido**

# Instrucciones de mantenimiento para el usuario . . .

## Lubricación

Todas las piezas móviles están selladas con un suministro permanente de lubricante o están equipadas con cojinetes autolubrificantes. No se requiere lubricación adicional.

## Cuidado de la secadora

Saque las pelusas del filtro después de secar cada carga de ropa. Si es necesario, puede lavar el filtro. Cada cierto tiempo, saque el filtro de pelusas y limpie el área que está debajo del filtro.

Normalmente, el cilindro de la secadora no requiere cuidado alguno.

Lave el gabinete de la secadora según sea necesario. Si se ha derramado detergente, cloro u otro producto de lavado en la secadora, límpielo inmediatamente. Algunos productos causan un daño permanente si se derraman sobre el gabinete.

No apoye objetos punzantes o rugosos contra la secadora ya que podría dañarse el acabado de la secadora.

Utilice únicamente paños húmedos o jabonosos para limpiar el panel de control. Algunos productos de prelavado en aerosol pueden dañar el acabado del panel de control.

**NOTA: El diagrama del cableado se encuentra dentro del panel de control.**



## CUIDADO

**Coloque etiquetas a todos los conductores antes de desconectarlos cuando esté dando mantenimiento a los controles. Un error en el cableado puede ocasionar un funcionamiento inadecuado y peligroso.**

## Sistema de escape

El ducto de escape debe inspeccionarse al año de uso de la secadora y limpiarse de ser necesario. En lo sucesivo, revise y limpie el ducto de escape cada uno o dos años, según sea necesario.

La tapa para intemperie debe revisarse frecuentemente para asegurarse de que la tapa del mecanismo articulado se mueva sin problemas, no esté hundida y no tenga pegado nada que impida su movimiento.

Mantenga el área donde se encuentra la secadora limpia y sin materiales combustibles, gasolina u otros líquidos o gases inflamables.

No obstruya el flujo de aire de ventilación y de combustión.

**NOTA: Verifique su buen funcionamiento después del mantenimiento.**

# Información de referencia a la mano . . .

Alliance Laundry Systems LLC  
Shepard Street  
P.O. Box 990  
Ripon, WI 54971-0990

Fecha de la compra \_\_\_\_\_

Modelo \_\_\_\_\_ N° de serie \_\_\_\_\_

Nombre del vendedor \_\_\_\_\_

Dirección del vendedor \_\_\_\_\_

Teléfono del vendedor \_\_\_\_\_

Agente de servicio \_\_\_\_\_

Dirección del agente de servicio \_\_\_\_\_

Teléfono del agente de servicio \_\_\_\_\_

**NOTA: Anote la información anterior y guarde su recibo de compra. Los números de serial y el modelo aparecen en la placa de identificación del electrodoméstico.**











# Installer Check . . .

## Lista de comprobación del instalador . . .

### Fast Track for Installing the Dryer

### Guía rápida para instalar la secadora

(Refer to the manual for more detailed information)  
(Véase el manual para una información más detallada)

**1**

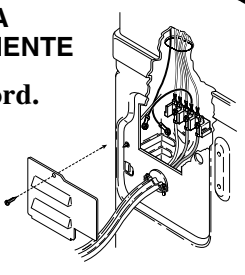
- Position and Level the Dryer.
- Colocación y nivelación de la secadora



CHECK REALIZADO

**4** - ELECTRIC ONLY  
PARA SECADORAS A ELÉCTRICAS SOLAMENTE

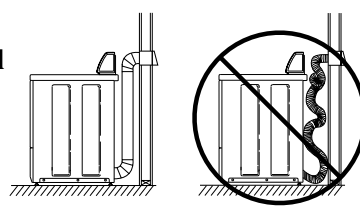
- Connect Electrical Cord.
- Conexión del enchufe de suministro de energía eléctrica.



CHECK REALIZADO

**2**

- Connect Dryer Exhaust System.
- Conexión del sistema de escape de la secadora.



CHECK REALIZADO

**5**

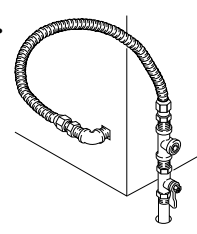
- Wipe Out Inside of Dryer.
- Limpieza de la parte interna de la secadora.



CHECK REALIZADO

**3** - GAS ONLY  
PARA SECADORAS A GAS SOLAMENTE

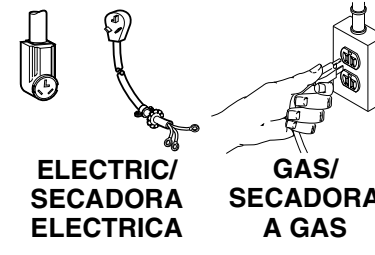
- Connect Gas Supply Pipe.
- Check for Gas Leaks.
- Conexión del tubo de suministro de gas
- Verifique que no haya fuga de gas.



CHECK REALIZADO

**6**

- Plug in the Dryer.
- Conexión eléctrica de la secadora.



CHECK REALIZADO

## Free Manuals Download Website

<http://myh66.com>

<http://usermanuals.us>

<http://www.somanuals.com>

<http://www.4manuals.cc>

<http://www.manual-lib.com>

<http://www.404manual.com>

<http://www.luxmanual.com>

<http://aubethermostatmanual.com>

Golf course search by state

<http://golfingnear.com>

Email search by domain

<http://emailbydomain.com>

Auto manuals search

<http://auto.somanuals.com>

TV manuals search

<http://tv.somanuals.com>