



MANUAL PART NUMBER: 400-0062-003  
PRODUCT REVISION: 2

## VA6835FC

### SYSTEM UNIVERSAL INTERFACE

### USER'S GUIDE

## INTRODUCTION

Altinex appreciates your purchase of the **VA6835FC** Analog Interface. We are certain that you will find it reliable and simple to use.

Superior performance for the right price, backed by solid technical and customer support is what Altinex has to offer.

The product you are holding in your hands is designed using state-of-the-art technology and is superior to anything available on the market. You will find this and our other products reliable, long lasting, and simple to operate.

We are committed to providing our customers with signal management solutions to the most demanding audio-visual installations at very competitive pricing.

We appreciate your selection of our products and are confident that you will join the ranks of our many satisfied customers throughout the world.

### This manual covers:

- VA6835FC** VGA – Pack
- VA6835FC** MAC – Pack
- VA6835FC** SUN/SGI – Pack
- VA6835FC** RGB – Pack
- VA6835FC** Combo – Pack
- VA6835FC** Super – Pack

## TABLE OF CONTENTS

	<b>Page</b>
PRECAUTIONS / SAFETY WARNINGS .....	2
GENERAL .....	2
RACK MOUNT SAFETY GUIDELINES .....	2
INSTALLATION .....	2
CLEANING .....	2
FCC / CE NOTICE .....	2
ABOUT YOUR INTERFACE .....	3
TECHNICAL SPECIFICATION .....	3
<b>VA6835FC</b> DESCRIPTION .....	4
COMPUTER VIDEO INPUT (VGA- COMPATIBLE 15-PIN HD CONNECTOR) .....	6
LOCAL MONITOR OUTPUT (15-PIN HD CONNECTOR) .....	6
MAIN (RGBS/RGBHV) OUTPUTS THROUGH 6 BNC CONNECTORS .....	6
HORIZONTAL POSITION ADJUSTMENT .....	7
HORIZONTAL DELAY REMOVAL .....	7
POWER REQUIREMENTS .....	7
MOUNTING CAPABILITY .....	7
BANDWIDTH .....	7
APPLICATION DIAGRAM .....	8
INSTALLING YOUR INTERFACE .....	8
OPERATION .....	9
SERRATION PULSE SWITCH .....	9
HV OUT SWITCH .....	9
I.D. BIT SWITCH .....	9
SYNC ON GREEN OUTPUT SWITCH .....	9
TERMINATION SWITCH .....	9
ACCESSORIES .....	10
FAQ (FREQUENTLY ASKED QUESTIONS) .....	11
TROUBLESHOOTING GUIDE .....	12
ALTINEX POLICY .....	12
LIMITED WARRANTY .....	12
RETURN POLICY .....	12
CONTACT INFORMATION .....	12

## PRECAUTIONS / SAFETY WARNINGS 1

Please read this manual carefully before using your **VA6835FC** Interface. Keep this manual handy for future reference. These safety instructions are to ensure the long life of your **VA6835FC** and to prevent fire and shock hazard. Please read them carefully and heed all warnings.

### 1.1 GENERAL

- Unauthorized personnel shall not open the unit since there are high-voltage components inside.
- Qualified Altinex service personnel, or their authorized representatives must perform all service.

### 1.2. SAFETY GUIDELINES FOR THE RACK-MOUNTING OF THE VA6835FC

- Maximum operating ambient temperature is 35 (degrees C).
- Never restrict the airflow through the devices' fan or vents.
- When installing equipment into a rack, distribute the units evenly. Otherwise, hazardous conditions may be created by an uneven weight distribution.
- Connect the unit to a properly rated supply circuit.
- Reliable Earthing (Grounding) of Rack-Mounted Equipment should be maintained.

### 1.3 INSTALLATION

- For best results, place the **VA6835FC** Interface on a flat, level surface in a dry area away from dust and moisture.
- To prevent fire or shock, do not expose this unit to rain or moisture. Do not place the **VA6835FC** Interface in direct sunlight, near heaters or heat radiating appliances, or near any liquid. Exposure to direct sunlight, smoke, or steam can harm internal components.
- Handle the **VA6835FC** Interface carefully. Dropping or jarring can damage internal components.
- Do not place heavy objects on top of the **VA6835FC**. If the **VA6835FC** is to be mounted

to a table or wall, use only Altinex made mounting accessories, such as brackets (**DA1293FC** or **DA1294FC**) and cables for optimum setup.

- To turn off the main power, be sure to remove the cord from the power outlet. The power outlet socket should be installed as close to the equipment as possible, and should be easily accessible.
- Do not pull the power cord or any cable that is attached to the **VA6835FC** Interface.
- If the **VA6835FC** Interface is not used for an extended period, disconnect the power cord from the power outlet.

### 1.4 CLEANING

- Unplug the **VA6835FC** power cord before cleaning. Clean surfaces with a dry cloth. Never use strong detergents or solvents, such as alcohol or thinner. Do not use a wet cloth or water to clean the unit.

### 1.5 FCC / CE NOTICE

- This device complies with Part 15 of the FCC Rules. Operation is subject to the following two conditions: (1) This device may not cause harmful interference, and (2) this device must accept any interference received, including interference that may cause undesired operation.
- This equipment has been tested and found to comply with the limits for a Class A digital device, pursuant to Part 15 of the FCC Rules. These limits are designed to provide reasonable protection against harmful interference when the equipment is operated in a commercial environment. This equipment generates, uses, and can radiate radio frequency energy and, if not installed and used in accordance with the instruction manual, may cause harmful interference to radio communications. Operation of this equipment in a residential area is likely to cause harmful interference in which case the user will be required to correct the interference at his own expense.

- Any changes or modifications to the unit not expressly approved by Altinex, Inc. could void the user's authority to operate the equipment.

## ABOUT YOUR INTERFACE

There are varieties of computers and computer video cards on the market today. There are also several data monitors and large screen data projectors. When displaying a computer image on a large screen data projector or on a large screen monitor, it often becomes clear that some computers are not always compatible with certain display devices. The **VA6835FC** is a computer video interface designed to resolve this incompatibility.

The **VA6835FC** is a dual output computer Video Interface. It is designed to interface a single VGA/ SVGA/ XGA/ UXGA/ MAC/ SUN or SGI computer video source to two scan-rate compatible presentation monitors or data projectors.

It is important to understand the general capabilities of this interface. The **VA6835FC** does not change the scan-rate or the resolutions of the video signal so the source (computer) and display (projector or monitor) must be scan-rate compatible. The **VA6835FC** simply converts a computer video signal to a pre-selected analog format or separates the sync signal from the green signal on output 1 if the input signal is RGsB.

The **VA6835FC** is a state-of-the art piece of equipment with an exceptional combination of compact size, advanced features, and very competitive pricing.

## TECHNICAL SPECIFICATIONS 3

FEATURES/DESCRIPTION	VA6835FC
<b>GENERAL</b>	
<b>Input</b>	1
Computer Video Input Connector	15-pin HD Female
<b>Output</b>	Local Monitor Output + Two Main Video Outputs
Local Monitor Output Connector	15-pin HD Female

Main Video Output Connector	Two sets of 6 BNC Female
<b>Compatibility</b>	VGA/ SVGA/XGA/UXGA, Apple/MACII/Quadra/G 3, Sun/SGI Workstations

Table 1. **VA6835FC** General

MECHANICAL	VA6835FC
Width (inches)	8.50in (216mm)
Height (inches)	1.75in (44mm)
Depth (inches)	4.93in. (125mm)
Weight (pounds)	2.0lbs (0.91kg)
Ship Weight (pounds)	4.0lbs (1.82kg)
Material	0.1" Aluminum
Finish	Gray
Faceplate	Lexan
T° Operating	10°C-35°C
T° Maximum	50°C
Humidity Technical	90% non-condensing
MTBF (calculations)	40,000 hrs

Table 2. **VA6835FC** Mechanical

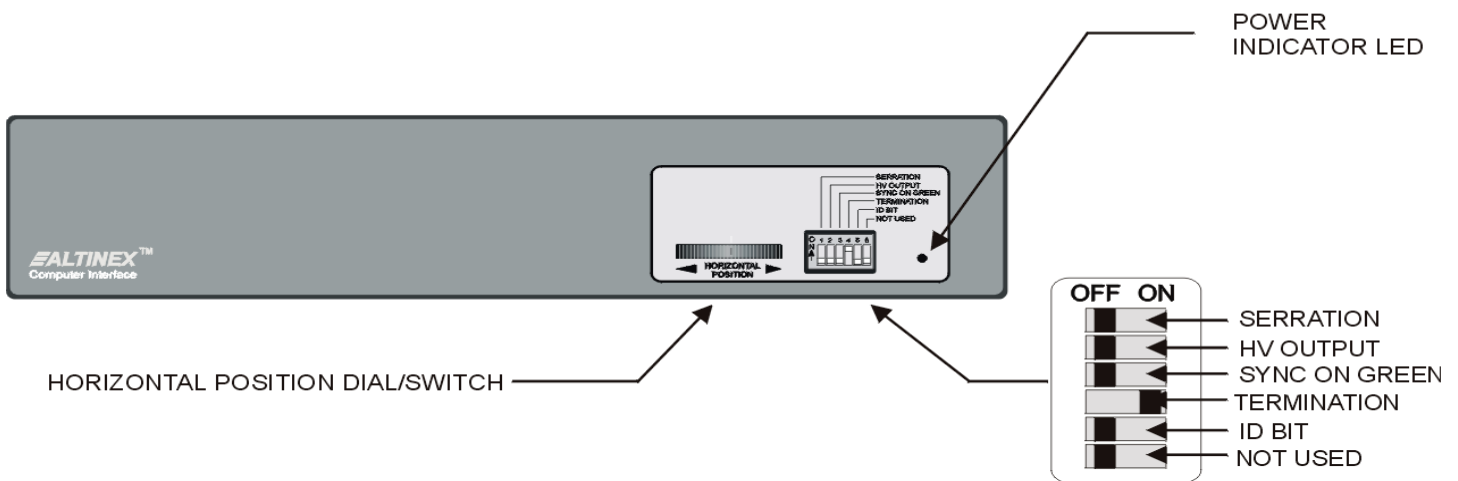
ELECTRICAL	VA6835FC
<b>Input Video Signal</b>	
Analog Signal	0.3 to 1.2 volt p-p
Impedance	75 Ohms
Rise/Fall Time (ns)	0.9
<b>Input Sync Signal</b>	
Horizontal, Vertical, & C-Sync	TTL(+/-)
Sync on Green	-0.3V
Impedance	10 k Ohms
<b>Output Video Signals</b>	
Analog Signal	0.77 V p-p
Impedance	75 Ohms
Rise/Fall Time (ns)	1.2
<b>Output Sync Signal</b>	
Composite Sync	TTL(+/-)
Sync on Green	-0.3V
Impedance	22 Ohms
<b>Frequency Compatibility</b>	
Horizontal	15-130 kHz
Vertical	25-180 Hz
Minimum Video Bandwidth	350 MHz
Typical Video Bandwidth	425 MHz

<b>Horizontal Position Range</b>	20 %
<b>Cross-talk</b>	39dB @ 100MHz
<b>Power</b>	
Internal Power Supply	90-140V/200-240V
<b>Power Consumption</b>	

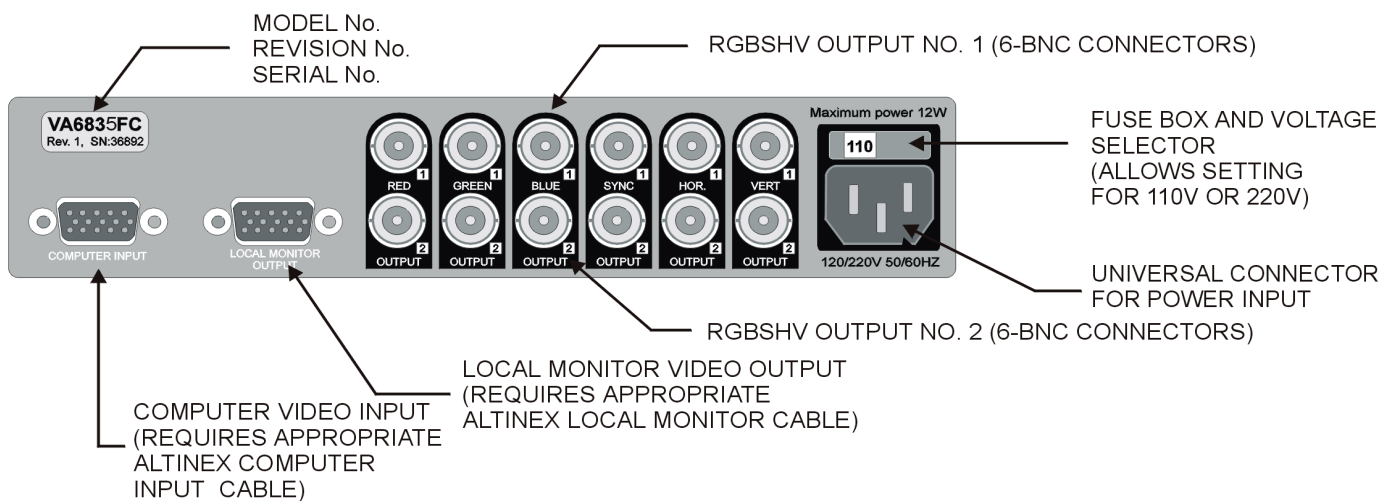
Table 3. VA6835FC Electrical

## VA6835FC DESCRIPTION 4

### FRONT PANEL OF VA6835FC

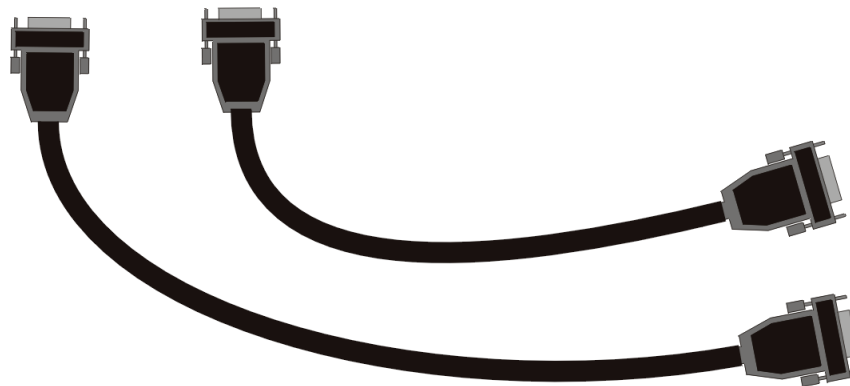
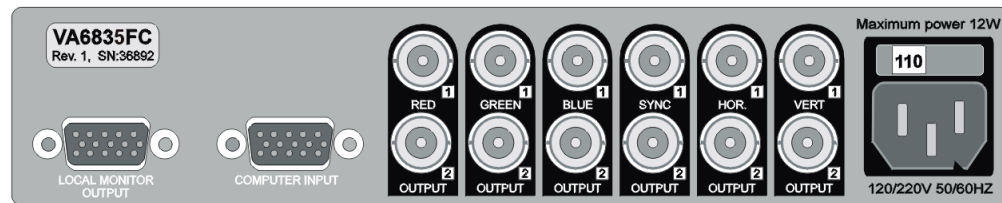


### BACK PANEL OF VA6835FC





## INPUT/LOCAL MONITOR CABLES



LOCAL MONITOR CABLE  
(F) to (M)

COMPUTER INPUT CABLE  
(M) to (M)

### 3 FT CABLES:

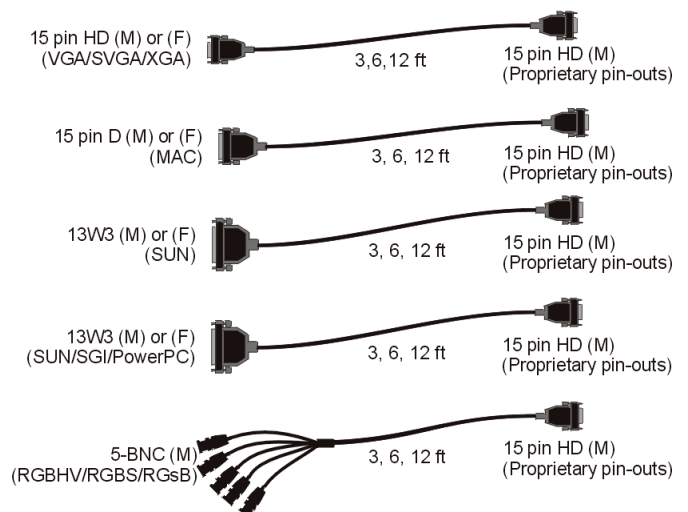
- MS8121CA - MAC Local Monitor Cable
- MS8122CA - MAC Input Cable
- MS8123CA - SUN Local Monitor Cable
- MS8124CA - SUN Input Cable
- MS8125CA - VGA/SVGA/XGA Local Monitor Cable
- MS8126CA - VGA/SVGA/XGA Input Cable
- MS8129CA - 5 BNC Workstation Input/Monitor Cable

### 6 FT CABLES:

- MS8151CA - MAC Local Monitor Cable
- MS8152CA - MAC Input Cable
- MS8153CA - SUN Local Monitor Cable
- MS8154CA - SUN Input Cable
- MS8155CA - VGA/SVGA/XGA Local Monitor Cable
- MS8156CA - VGA/SVGA/XGA Input Cable
- MS8159CA - 5 BNC Workstation Input/Monitor Cable

### 12 FT CABLES:

- MS8161CA - MAC Local Monitor Cable
- MS8162CA - MAC Input Cable
- MS8163CA - SUN Local Monitor Cable
- MS8164CA - SUN Input Cable
- MS8165CA - VGA/SVGA/XGA Local Monitor Cable
- MS8166CA - VGA/SVGA/XGA Input Cable
- MS8169CA - 5 BNC Workstation Input/Monitor Cable



The **VA6835FC** has two key functions. Its first function is to amplify or buffer the signal to insure that it is strong enough to travel distances of 100 ft or farther through a coaxial cable. The second function is to process the sync and to convert it to a format that is acceptable to several displays.

#### 4.1 COMPUTER VIDEO INPUT (VGA COMPATIBLE HD 15-PIN CONNECTOR)

The HD 15-pin connector input allows the connection of a computer source to the interface using Altinex input cables, which are available for a variety of popular computers and graphics cards on the market. These include VGA, MAC, SUN, and SGI type video output connectors, with proper cables. The **VA6835FC** input is compatible with standard VGA cables.

PIN No.	INPUT SIGNALS ON HD 15-PIN FEMALE CONNECTOR
1	Red Video
2	Green Video
3	Blue Video
4	ID Bit (Grounded when ID Bit switch is ON)
5	Ground
6	Ground
7	Ground
8	Ground
9	No connection
10	No connection
11	ID Bit
12	ID Bit
13	Horizontal Sync/Composite Sync
14	Vertical Sync
15	No connection

Table 4. **VA6835FC** Input pin-out

#### 4.2 LOCAL MONITOR OUTPUT (HD 15-PIN CONNECTOR)

The HD 15-Pin connector output is used to connect the local monitor to the interface. This is a fully buffered output that eliminates reflections often caused by "Y" type monitor breakout cables. There is no need to terminate the unused output. The "termination" switch on the **VA6835FC** affects only the terminations of the computer video input. The output is VGA compatible, but can also be used to feed other types of local monitors using

designated Altinex adapter cables, such as VGA, MAC, SUN, SGI, or RGB.

PIN No.	LOCAL MONITOR OUTPUT SIGNALS ON HD 15-PIN FEMALE CONNECTOR
1	Red Video
2	Green Video
3	Blue Video
4	ID Bit (Grounded when ID Bit switch is ON)
5	Ground
6	Ground
7	Ground
8	Ground
9	Composite Sync
10	No connection
11	ID Bit
12	ID Bit
13	Horizontal Sync
14	Vertical Sync
15	No connection

Table 5. Local Monitor Output pin-out

#### 4.3 MAIN (RGBS/RGBHV) OUTPUTS THROUGH 6 BNC CONNECTORS

BNC connectors offer a reliable connection for high-resolution video signals, and they facilitate easy cable maintenance in the field. The **VA6835FC** offers two main outputs with six BNC connectors for each output. By selecting the appropriate connectors, these outputs can provide RG<sub>S</sub>B, RGBHV, or RGBS output signals.

For a RG<sub>S</sub>B type signal the "Sync on Green" dip switch must be set to the ON position.

For a RGBHV type signal, you may either connect cables to horizontal or vertical BNC connectors or you may connect the horizontal channel to the composite sync connectors by turning the "HV Output" dip-switch to the ON position.

With these connectors, the **VA6835FC** can be connected to compatible data projectors using 3 coax, 4 coax, or 5 coax cables.

CONNECTOR	MAIN DUAL OUTPUT (6-BNC FEMALE)
Red	Red Video
Green	Green Video
Blue	Blue Video
Sync	Composite Sync/ Horizontal
Hor.	Horizontal Sync
Vertical	Vertical Sync

Table 6. **VA6835FC** dual (6 BNC) Output pin-out

#### 4.4 HORIZONTAL POSITION ADJUSTMENT

Most monitors and projectors have the ability to adjust the horizontal position of the image, but sometimes it is helpful to be able to control this feature at the interface. This control is especially useful when multiple computers are switched to a single display, as the positions for each computer might be slightly different.

By keeping the **VA6835FC's** Horizontal Position control dial in the center position, the image on the display should first be adjusted using the monitor or projector control. If necessary, turn the image using the **VA6835FC's** Horizontal Position Control Dial.

To turn off the Horizontal Position Control, turn the adjustment dial fully to the right until a clicking sound is heard.

#### 4.5 HORIZONTAL DELAY REMOVAL

The **VA6835FC** offers the ability to by-pass horizontal delay. This may be necessary when interfacing with projectors or monitors with sensitive sync inputs, particularly with LCD type projectors. By turning the Horizontal Position adjustment dial fully to the right, the control will "click" into a locked position. In this position, the **VA6835FC** outputs the same sync types, which are fed into it from the source. In this setting, the **VA6835FC** will not provide horizontal positioning. The horizontal position adjustment of the image must be made at the display.

#### 4.6 POWER REQUIREMENTS

The **VA6835FC** may be used with either 90-140V or 200-240V for ease of use throughout the world. Always make sure that the fuse box window above

the power input connector displays the proper voltage. To change the setting, unplug the **VA6835FC**, and squeeze the clips on either side of the fuse box. Pull out the fuse holder and turn it 180 degrees, resetting it with the proper voltage shown through the window. Re-insert the fuse box making sure that the side clips of the fuse box lock securely into place.

#### 4.7 MOUNTING CAPABILITY

The **VA6835FC** can be easily mounted into an equipment rack. Four mounting holes are provided on each side of the unit. To mount a single unit, use Altinex 19"-1U Rack Mount Ears (part # **DA1294FC**). To mount two units in tandem, use an Altinex 19"-1U Rack Mount Shelf (part # **DA1293FC**). For mounting under the table, optional brackets, such as the **TM1271**, **TM1272**, **TM1273**, or **TM1274** can be used.

#### 4.8 BANDWIDTH

The typical bandwidth of the **VA6835FC** is 420 MHz. The minimum bandwidth is 350 MHz. This exceptionally high bandwidth allows the passing of the third harmonics of the video signal, thus maintaining the highest quality of the input signal.



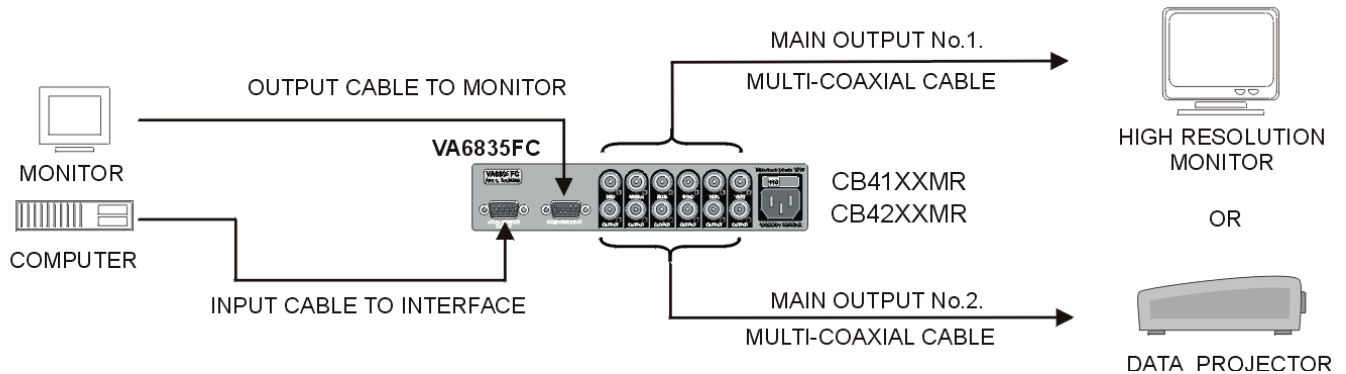
## APPLICATION DIAGRAM

5

COMPUTER SOURCE

INTERFACE

VIDEO DISPLAY



## INSTALLING YOUR INTERFACE

6

- Step 1.** Please attach the Interface on the rack using the provided rack mount hardware on or under the furniture using the optional **TM** Series Altinex brackets.
- Step 2.** Before you plug in the power cord to the unit, please verify that the voltage rating of 110V/220V on the FUSE CLIP located at the rear of the unit is the same as the power outlet. (Refer to section 4.6 for changing the voltage).
- Step 3.** Connect one end of the input cable included with the Interface unit to the video output connector of your computer and the other end to the computer input HD-15 port of the **VA6835FC**.
- Step 4.** If needed, connect the local monitor output HD-15 connector of the **VA6835FC** to the local monitor using the appropriate Altinex Local Monitor cables. It is not necessary to terminate this output with a termination plug if a local monitor is not being used.

- Step 5.** Connect one end of a BNC cable to output one or two of the **VA6835FC** units. Connect the other end to the RGB input on the projector or monitor. Usually either a 4 BNC or 5 BNC coaxial cable is used, depending on whether display devices require composite sync or horizontal and vertical sync signals.
- Step 6.** Make sure that the dip-switches are set properly. For the desired sync output format, refer to section 7.
- Step 7.** It is recommended that when the Interface's horizontal position control is centered (or turned OFF), the horizontal position of the image should first be adjusted using the control provided by the monitor or projector. If it is still required, it can be adjusted using the Horizontal Position Control dial located on the front of the **VA6835FC**.

**CONGRATULATIONS! YOU ARE DONE.**

**If you experience any problems, please call  
1-800-258-4623 or 1-714-990-2300 for  
international calls.**

## OPERATION

7

According to Table 4, the settings of the **VA6835FC** Interface can be adjusted using dip-switches. There are no other adjustments necessary to operate the unit. The **VA6835FC** will operate successfully as long as the cables are attached properly and the technical specifications are followed.

DIP-SWITCH	OFF	ON
Serration	X	
HV Output	X	
Sync on Green	X	
Termination		X
ID Bit	X	
Not Used	X	

Table 7. Dip switch default settings

### 7.1 SERRATION PULSE SWITCH

Certain monitors and projectors will exhibit better stability when the serration pulse switch is "ON". This switch is seldom used and in most circumstances should be turned "OFF".

### 7.2 HV OUT SWITCH

When the composite sync channel is used and RGBS format is desired from the **VA6835FC**, the HV OUT switch should be turned off. When this switch is turned on, the composite sync channel will output horizontal sync, but not vertical sync. As an alternative to connecting cables to separate horizontal and vertical channels, one can connect horizontal sync to the composite sync and vertical sync signal to the vertical connector, using the HV OUT dip-switch in the ON position.

### 7.3 I.D. BIT SWITCH

Many computers use ID Bits or "Sense Pins" to recognize the connection of a monitor to its video output port. Often, these ID Bits will even allow the computer to recognize what type of monitor is connected (in terms of its scan rate compatibility). When the I.D. Bit switch is in the ON position, the **VA6835FC** allows the main ID Bit (pin 4 on the input connector) to be connected to the ground signal.

This is used primarily when interfacing to laptop computers to imitate the presence of a local monitor. Typically, this recognition will take place during the boot up stage of a computer. If your computer does not output video, place the ID Bit switch in the ON position and reboot the computer. When in the OFF position, the ID Bit will be passed through the local monitor output port.

### 7.4 SYNC ON GREEN OUTPUT SWITCH

In some systems the ability of the **VA6835FC** to output sync on green can be a very helpful feature.

The **VA6835FC** separates the sync signal from the green if the input is RGsB. So the output can be either RGBS or RGBHV. The "Sync on Green" dip-switch should be in the OFF position if the desired output is RGBS or RGBHV for any type of input. This dip-switch should be ON if the desired output is RGsB.

### 7.5 TERMINATION SWITCH

When the built-in termination switch is set to the ON position, the input of the interface will be terminated. As a rule, the termination switch should be in the ON position. This switch does not affect the termination of any output signal. The termination switch should be left in the OFF position if a "Y" cable is used at the local monitor output connector.

## ACCESSORIES 8

Model No.	Description
<b>RACK MOUNT ACCESSORIES</b>	
DA1293SX	Rack/Wall Shelf fits two VA6835FC units side by side
DA1294SX	Rack/Wall mount ears for single VA6835FC
<b>TABLE MOUNT BRACKETS</b>	
TM1271	1U High, ½ Rack-Wide
TM1272	1U High, ½ Rack-Wide with 15-pin HD connector plate
TM1273	1U High, ½ Rack-Wide with snap-in connectors
TM1274	1U High, ½ Rack-Wide with snap-in & POWER connectors
<b>INTERFACE CABLES</b>	
MS8121CA	MAC Output cable for VA6835FC
MS8122CA	MAC Input cable for VA6835FC
MS8123CA	SUN Output cable for VA6835FC
MS8124CA	SUN Input cable for VA6835FC
MS8125CA	VGA Output cable for VA6835FC
MS8126CA	VGA Input cable for VA6835FC
MS8129CA	RGB Output cable for VA6835FC
<b>4 BNC TO 4 BNC COAXIAL CABLE</b>	
CB4103MR	3 ft, 4 BNC to 4 BNC coaxial cable
CB4106MR	6 ft, 4 BNC to 4 BNC coaxial cable
CB4112MR	12 ft, 4 BNC to 4 BNC coaxial cable
CB4125MR	25 ft, 4 BNC to 4 BNC coaxial cable
CB4150MR	50 ft, 4 BNC to 4 BNC coaxial cable
CB4175MR	75 ft, 4 BNC to 4 BNC coaxial cable
CB41100MR	100 ft, 4 BNC to 4 BNC coaxial cable
CB41150MR	150 ft, 4 BNC to 4 BNC coaxial cable
<b>5 BNC TO 5 BNC COAXIAL CABLE</b>	
CB4203MR	3 ft, 5 BNC to 5 BNC coaxial cable
CB4206MR	6 ft, 5 BNC to 5 BNC coaxial cable
CB4212MR	12 ft, 5 BNC to 5 BNC coaxial cable
CB4225MR	25 ft, 5 BNC to 5 BNC coaxial cable
CB4250MR	50 feet, 5 BNC to 5 BNC coaxial cable
CB4275MR	75 feet, 5 BNC to 5 BNC coaxial cable

CB42100MR	100 ft, 5 BNC to 5 BNC coaxial cable
CB42150MR	150 ft, 5 BNC to 5 BNC coaxial cable
CB4406MR	6 ft, 5 BNC to 5 BNC coaxial
CB4412MR	12 ft, 5 BNC to 5 BNC coaxial
CB4425MR	25 ft, 5 BNC to 5 BNC coaxial
CB4475MR	75 ft, 5 BNC to 5 BNC coaxial
CB44100MR	100 ft, 5 BNC to 5 BNC coaxial
CB44150MR	150 ft, 5 BNC to 5 BNC coaxial
CB5000PL-5BM00035BM	3 ft, 5 BNC M to 5 BNC M
CB5000PL-5BM00065BM	6 ft, 5 BNC M to 5 BNC M
CB5000PL-5BM00125BM	12 ft, 5 BNC M to 5 BNC M
CB5000PL-5BM00255BM	25 ft, 5 BNC M to 5 BNC M
CB5000PL-5BM00505BM	50 ft, 5 BNC M to 5 BNC M
CB5000PL-5BM00755BM	75 ft, 5 BNC M to 5 BNC M
CB5000PL-5BM01005BM	100 ft, 5 BNC M to 5 BNC M
CB5000PL-5BM01505BM	150 ft, 5 BNC M to 5 BNC M
CB5000PL-5BM02005BM	200 ft, 5 BNC M to 5 BNC M
CB5000PL-5BM02505BM	250 ft, 5 BNC M to 5 BNC M
CB5100PL-5BM00035BM	3 ft, 5 BNC M to 5 BNC M
CB5100PL-5BM00065BM	6 ft, 5 BNC M to 5 BNC M
CB5100PL-5BM00125BM	12 ft, 5 BNC M to 5 BNC M
CB5100PL-5BM00255BM	25 ft, 5 BNC M to 5 BNC M
CB5100PL-5BM00505BM	50 ft, 5 BNC M to 5 BNC M
CB5100PL-5BM00755BM	75 ft, 5 BNC M to 5 BNC M
CB5100PL-5BM01005BM	100 ft, 5 BNC M to 5 BNC M
CB5100PL-5BM01505BM	150 ft, 5 BNC M to 5 BNC M

<b>CB5100PL-5BM02005BM</b>	200 ft, 5 BNC M to 5 BNC M
<b>CB5100PL-5BM02505BM</b>	250 ft, 5 BNC M to 5 BNC M

All **MS81** series cables listed above are 3 ft. long. These cables are also available in 6 ft. and 12 ft. lengths. Please call 1-714-990-2300 for a wider selection of cables.

## FAQ (FREQUENTLY ASKED QUESTIONS) 9

No:	Question	Answer
1	Why does the termination switch have to be "ON"?	The termination switch should be ON if the local monitor is connected through a straight cable. It will be OFF only if a monitor breakout cable is used at the local monitor output connector.
2	When and why do I need to use the "Horizontal Position" Control dial?	The "Horizontal Position" Control dial enables or disables the control of the Horizontal Position of the image. First adjust the horizontal position using the monitor or projector control, and then use the horizontal position control on the <b>VA6835FC</b> , if needed.
3	What dip-switch do I set to receive the composite sync output?	If the desired output signal is composite sync, turn OFF the "HV OUTPUT" dip-switch and connect only 4 wires (RGBS) to the red, green, blue, and sync connectors.
4	When and why would I use the "Sync on Green" dip-switch, although the unit does not separate Sync from Green?	The <b>VA6835FC</b> separates the sync signal from green if the input is RGsB, so the output can be either RGBS or RGBHV. This dip-switch should be OFF if the desired output is RGBS or RGBHV for any type of input.
5	When do I	If the desired output is in

	use the "HV OUT" dip-switch?	RGBHV format, turn ON the "HV OUT" dip-switch. If the "HV OUT" dip-switch is OFF, the output signal may have composite sync present on the horizontal sync connector.
6	What is a Common Computer Video Card pin-out?	See the following table for Common Computer Video Card pin-outs that can be used with the <b>VA6835FC</b> .

PIN No.	MAC	VGA	SUN
<b>A1</b>	n/a	n/a	Red
<b>A2</b>	n/a	n/a	Green
<b>A3</b>	n/a	n/a	Blue
<b>1</b>	Red Gnd	Red	N/C
<b>2</b>	Red	Green	N/C
<b>3</b>	C.Sync	Blue	Sense
<b>4</b>	ID Bit 01	ID Bit	Sense Rtn
<b>5</b>	Green	N/C	C. Sync Sens
<b>6</b>	Green Gnd.	Red Rtn.	N/C
<b>7</b>	ID Bit 02	Green Rtn.	N/C
<b>8</b>	N/C	Blue Rtn.	N/C
<b>9</b>	Blue	N/C	N/C
<b>10</b>	ID Bit 03	Gnd	N/C
<b>11</b>	C/V Gnd.	ID Bit	
<b>12</b>	V. Sync	ID Bit	
<b>13</b>	Blue Gnd.	H. Sync.	
<b>14</b>	H. Gnd	V. Sync	
<b>15</b>	H. Sync	N/C	

Table 8. Common Computer Video Card pin-outs



## TROUBLESHOOTING GUIDE 10

1. When the correct voltage is applied to the Interface, the power LED should be ON.
2. The "Termination" dip-switch should be in the ON position if a Y cable (breakout) is not used on the input.
3. Make sure the cables have the correct pin-outs and the connection and quality of the cables are good.
4. Make sure that the source and display are scan-rate compatible. The projector should support an appropriate signal format (RGsB, RGSB or RGBHV). Connect the projector directly to a computer with a shorter cable to verify the compatibility of display and source.
5. If you are using output RGSB or RGsB then the "HV Output" dip-switch is the OFF position and the composite sync signal is taken from the sync connector. If the display needs an RGBHV signal then the "HV Output" dip-switch must be in the ON position if the sync and vertical connectors are used.
6. If the desired output is RGsB, the sync ON GREEN dip-switch should be ON.

## ALTINEX POLICY 11

### 11.1 LIMITED WARRANTY

Altinex warrants that its products and cables are free from defects in materials under normal use and service. This warranty is limited to repairing at company's factory any part or parts of the product, which upon company's examination shall disclose to be, thus defective. Products considered defective should be returned to company with transportation charges pre-paid within 2 years (90 days for cables) from date of shipment to the purchaser. The warranty is expressly instead of all other warranties expressed or implied. Altinex neither assumes nor authorizes any other person to assume for it any other liability in connection with the sale of the products. This warranty shall not apply to any product that shall have been repaired or altered outside of company's factory in any way so as, in its judgment, to affect its

stability or reliability, or that has been subject to misuse, negligence or accident.

### 11.2 RETURN POLICY

It is very important to Altinex that you receive the products that you have ordered and that this product fulfills your need. In the unlikely event, that an Altinex product needs to be returned please follow the policies below:

Altinex will accept product returns for a period of 30 days from authorized Altinex dealers. Products must be returned in an unopened package.

If a product has been opened, the restocking fees will apply. For the restocking fee amount, please contact an Altinex Sales Representative.

If the product is in your possession for more than 30 days, the restocking fees will apply.

Altinex will not accept any returns on cables or custom products.

If your product is in warranty and needs service, contact the Altinex Sales Department for an RMA (Return Material Authorization). Products returned without an RMA number may experience a delay in service.

If your product is out of warranty and needs service, contact the Altinex Sales Department for an RMA (Return Material Authorization). Products returned without an RMA number may experience a delay in service. The service charges will be quoted to you before actual repairs are done.

### 11.3 CONTACT INFORMATION

#### Sales Department

Phone: 714-990-2300

Fax: 714-990-3303

#### Accounting Department

Phone: 714-990-6088

Fax: 714-990-5778



## Free Manuals Download Website

<http://myh66.com>

<http://usermanuals.us>

<http://www.somanuals.com>

<http://www.4manuals.cc>

<http://www.manual-lib.com>

<http://www.404manual.com>

<http://www.luxmanual.com>

<http://aubethermostatmanual.com>

Golf course search by state

<http://golfingnear.com>

Email search by domain

<http://emailbydomain.com>

Auto manuals search

<http://auto.somanuals.com>

TV manuals search

<http://tv.somanuals.com>