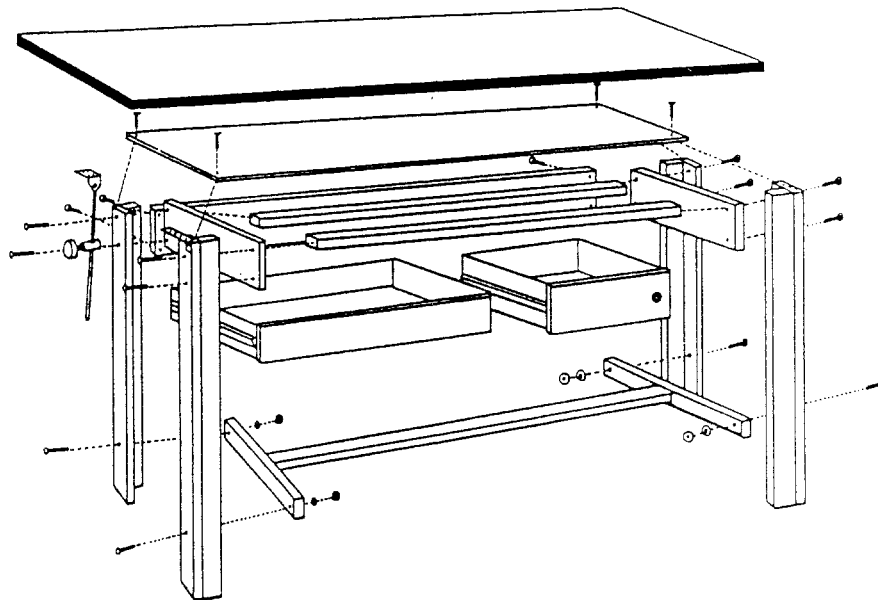
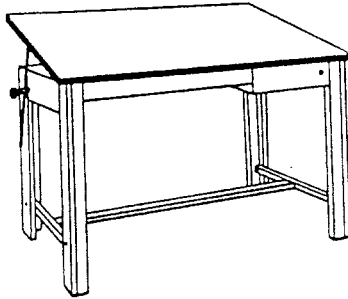


DESIGNMASTER TABLE DRAWER ASSEMBLY



1. Attach large draw face to drawer using two 1" black screws. When attached correctly, bottom of drawer face should be aligned with bottom of drawer
2. Using eight remaining 3/4" screws, attach drawers to pre-drilled holes in underside of 51 1/4" tubes located under dust cover. Put screw through center hole in drawer mounting bracket and screw into pre-drilled hole in tube.

PLEASE NOTE: When properly installed, larger shallow drawer will be on left and deeper tool drawer (with lock) will be on right.

Free Manuals Download Website

<http://myh66.com>

<http://usermanuals.us>

<http://www.somanuals.com>

<http://www.4manuals.cc>

<http://www.manual-lib.com>

<http://www.404manual.com>

<http://www.luxmanual.com>

<http://aubethermostatmanual.com>

Golf course search by state

<http://golfingnear.com>

Email search by domain

<http://emailbydomain.com>

Auto manuals search

<http://auto.somanuals.com>

TV manuals search

<http://tv.somanuals.com>