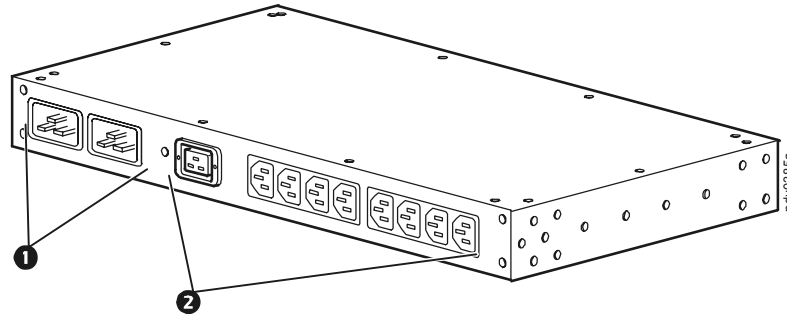


# Automatic Transfer Switch

## Overview

The American Power Conversion (APC®) Automatic Transfer Switch (ATS) provides redundant power to rack-mount equipment, ensuring high availability. The ATS supplies power from a primary input line; if that line becomes unavailable for any reason, the switch automatically begins supplying power from a secondary input line.

### Rear view—AP7723



	Item	Description/Function
1	Power inlets	The two (2) C20 inlets support the connection of two power cords (not provided) to link the ATS to two separate power sources (A, B). The switch draws power from the preferred source and automatically switches to the secondary source when necessary.
2	Outlets	The outlets connect the ATS to equipment in the rack or enclosure, providing a redundant source of power to the connected equipment. Each switch has eight (8) C13 outlets and one (1) C19 outlet.

# Specifications

AP7723

## Electrical

Nominal input voltage	230 Vac
Acceptable input voltage	±10% of nominal
Input frequency	47–63 Hz
Input connectors	Two (2) C20 inlets
Output connectors	Eight (8) C13 outlets One (1) C19 outlet
Maximum output current (outlet)	10 A–C13 16 A–C19
Maximum output/input current	16 A
Transfer time	8–12 ms typical, 16 ms maximum

## Physical

Dimensions (H x W x D)	4.37 x 43.00 x 23.62 cm (1.72 x 17.00 x 9.30 in)
Shipping dimensions (H x W x D)	11.43 x 60.02 x 35.56 cm (4.50 x 23.63 x 14.00 in)
Weight	3.65 kg (8.05 lb)
Shipping weight	5.42 kg (11.95 lb)

## Environmental

Maximum elevation (above MSL)	
Operating	0 to 3000 m (0 to 10,000 ft)
Storage	0 to 15 000 m (0 to 50,000 ft)
Temperature	
Operating	–5 to 45°C (23 to 113°F)
Storage	–25 to 65°C (–13 to 149°F)
Humidity	
Operating	0 to 95%, non-condensing
Storage	0 to 95%, non-condensing

## Compliance

EMC approvals	EN55022-Class A, FCC-Class A, VCCI, MIC, C-Tick, ICES-003 Class A, CE
Safety approvals	TUV-R, TUVR-S, GOST, CE



Customer support and warranty information is available at the APC Web site, [www.apc.com](http://www.apc.com).

© 2007 American Power Conversion. All rights reserved. All APC trademarks are property of American Power Conversion. Other trademarks are property of their respective owners.

990-3034A-001  
07/2007



## Free Manuals Download Website

<http://myh66.com>

<http://usermanuals.us>

<http://www.somanuals.com>

<http://www.4manuals.cc>

<http://www.manual-lib.com>

<http://www.404manual.com>

<http://www.luxmanual.com>

<http://aubethermostatmanual.com>

Golf course search by state

<http://golfingnear.com>

Email search by domain

<http://emailbydomain.com>

Auto manuals search

<http://auto.somanuals.com>

TV manuals search

<http://tv.somanuals.com>