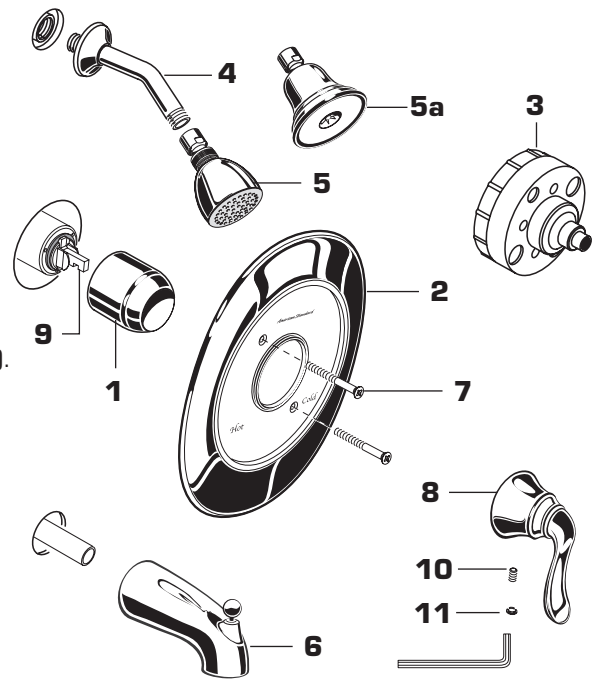




# 1 INSTALL TRIM

- When finished tiling the wall, remove PLASTER GUARD (3). Push on CAP (1).
- Mount ESCUTCHEON (2) and with SCREWS (7).
- Install HANDLE (8) by pushing it onto CARTRIDGE STEM (9) and tightening SET SCREW (10) from below with 2.5mm Hex Wrench supplied. Insert INDEX BUTTON (11).
- Remove cap from tub supply and plug from shower pipe.
- Install SHOWER ARM with FLANGE (4) and SHOWER HEAD (5, 5a).
- Install DIVERTER SPOUT (6).

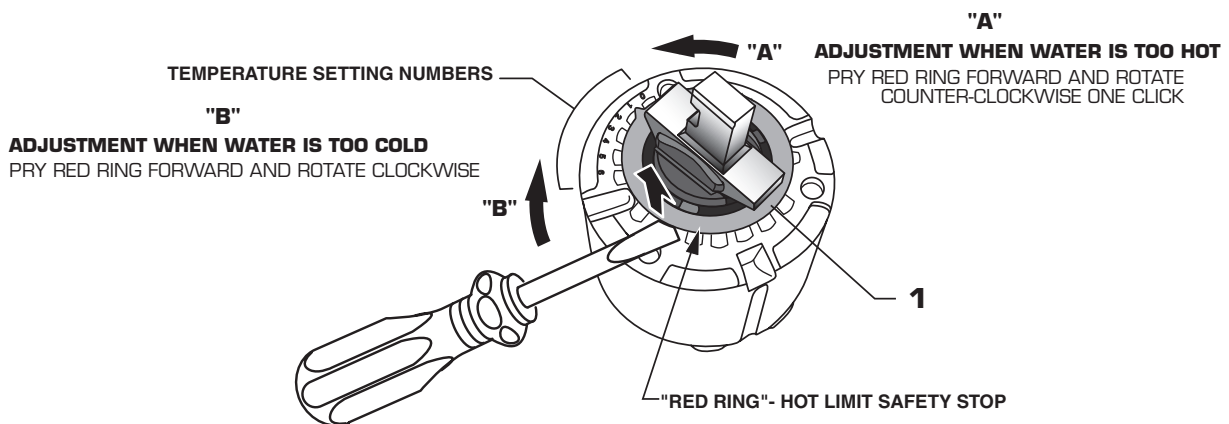


# 2 ADJUST HOT LIMIT STOP

## HOT LIMIT SAFETY STOP ADJUSTMENT

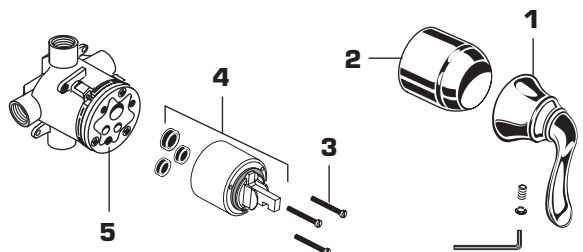
By restricting handle rotation and limiting the amount of hot water allowed to mix with the cold, the HOT LIMIT SAFETY STOP reduces risk of accidental scalding. To set the maximum hot water temperature of your faucets, all you need to do is adjust the setting on the HOT LIMIT SAFETY STOP.

- Use a flat blade screwdriver or your fingers to pull up and rotate red HOT LIMIT SAFETY STOP (1). Follow Step "A" or "B" to adjust min./max. discharge temperature. "0" being the hottest to "7" the coldest temperature setting. Factory set at "0".



# 3 SERVICE

- If faucet drips, operate handle several times from "off" to "on". Do not apply excessive force.
- Clogged CARTRIDGE (4) inlets may cause reduced flow in "full on" hot or cold. To clean inlets, first turn off water supply, then:
  - Remove HANDLE (1), CAP (2) and CARTRIDGE (4). Clean inlets and MANIFOLD (5).
  - Reassemble CARTRIDGE (4), alternately tightening SCREWS (3).
  - Replace CAP (2) and HANDLE (1). Check flow.



## Free Manuals Download Website

<http://myh66.com>

<http://usermanuals.us>

<http://www.somanuals.com>

<http://www.4manuals.cc>

<http://www.manual-lib.com>

<http://www.404manual.com>

<http://www.luxmanual.com>

<http://aubethermostatmanual.com>

Golf course search by state

<http://golfingnear.com>

Email search by domain

<http://emailbydomain.com>

Auto manuals search

<http://auto.somanuals.com>

TV manuals search

<http://tv.somanuals.com>