



## EA-380D GREEN POWER SUPPLY

### USER'S MANUAL

# USER'S MANUAL

## EARTH WATTS SERIES

### EA-380D GREEN POWER SUPPLY

#### THE ENERGY-EFFICIENT PSU

Get the power you need and the low electric bill you want with Antec's EA-380D Green! One of the most environmentally friendly power supplies on the planet, the EA-380D Green delivers 380 watts of reliable, continuous power while meeting the Bronze level of performance from 80<sup>®</sup> PLUS, the most widely recognized independent standard in power supply efficiency.

#### STANDARDS AND FEATURES

The EA-380D Green PSU is compatible with ATX12V v2.3 and EPS12V v2.91 specifications. This PSU features Universal Input, which automatically senses when you connect the power supply to any AC power source between 100 ~ 240V, eliminating the need to set a voltage switch. The EA-380D Green also features Active Power Factor Correction (Active PFC), which improves the power factor value of the PSU by altering the input current wave shape, helping to transmit energy across the grid.

#### SYSTEM PROTECTION

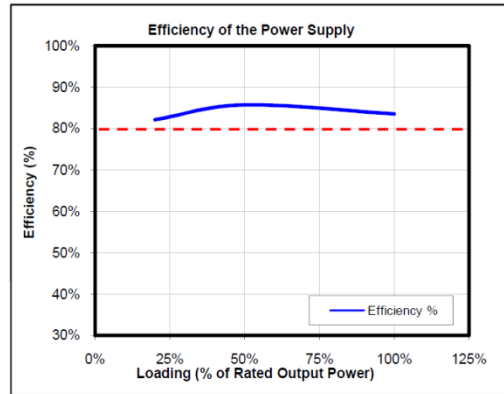
A variety of industrial-grade safety circuitry will help protect your computer: OVP (Over Voltage Protection), SCP (Short Circuit Protection), and OCP (Over Current Protection). Sometimes the PSU will "latch" into a protected shutdown state. This means that you will need to power off the PSU and clear the fault before it will function again. There are no user-replaceable fuses in your EA-380D Green.

TABLE 1: OCP SET POINT

Rail	+3.3V OCP	+5V OCP	+12V OCP (Per rail)
Max. A	29A	35A	25A

#### 80 PLUS<sup>®</sup> BRONZE CERTIFICATION

80 PLUS<sup>®</sup> Bronze certification is among the highest independent standards in power supply efficiency. This allows the PSU to use less energy and generate less heat so it stays cooler, runs more quietly, and lasts longer. The EA-380D Green has been certified to be at least 82% efficient at a wide range of operating loads and will lower your operating costs while protecting the environment.









Source: 80 PLUS Verification and Testing Report

## DUAL +12 VOLT RAIL DISTRIBUTION

The EA-380D Green PSU uses dual +12 volt power rails. Different connectors are hooked up to separate circuits to aid in the balanced distribution of power between devices in your computer. The engineers have allocated the rails to different connectors, as shown in Table 2, to prevent voltage sags in one device due to sudden demands for power by another device.

TABLE 2: POWER CONNECTORS AND RAIL ASSIGNMENTS

Power Connectors	Description	+12V Rail
	24-pin (20+4) main connector	1
	4+4 pin ATX12V / EPS12V	2
	6-pin PCI-E connector	1
	4 x Molex	1
	5 x SATA	1
	1 x Floppy	1

**Note:** No power cord included. By reusing your existing cord, you can reduce waste and help protect the environment.

## POWER OUTPUT

The EA-380D Green PSU distributes a varying maximum number of amps on each rail. To see the output capacity and regulation for each different voltage, see Table 3.

TABLE 3: OUTPUT CAPACITY AND REGULATION

Output Voltage	Load Max.	Regulation	Ripple & Noise
+3.3V	20A	±5%	50 mV
+5V	20A	±5%	50 mV
+12V1	17A	±5%	120 mV
+12V2	15A	±5%	120 mV
-12V	0.8A	±10%	120 mV
+5VSB	2.5A	±5%	50 mV

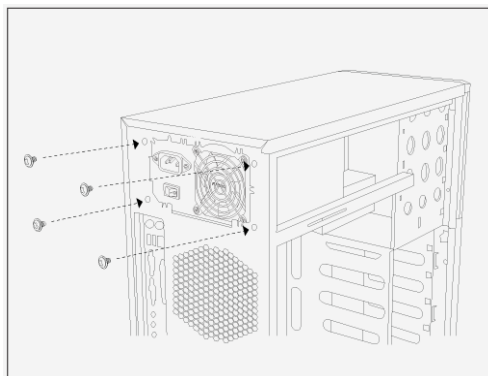
The continuous maximum total output power shall not exceed 380W.

+12V1 and +12V2 DC maximum output power shall not exceed 336W.

+3.3V and +5V DC maximum combined output power shall not exceed 115W

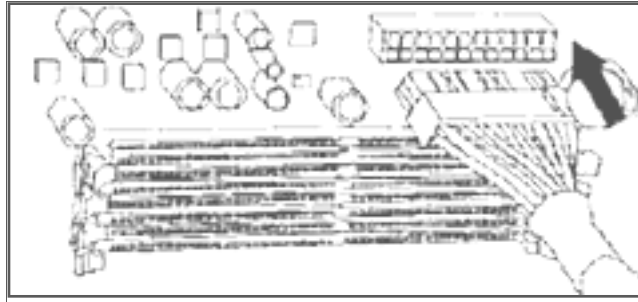
## INSTALLATION:

1. Install the EA-380D Green PSU into your case with the four screws provided.



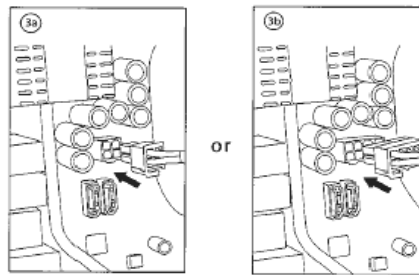
2. Connect the 24-pin main power connector to your motherboard. If your motherboard uses a 20-pin connector, detach the 4-pin attachment on the 24-pin connector.

**Note:** The detachable 4-pin section cannot be used in place of a 4-pin +12V connector.

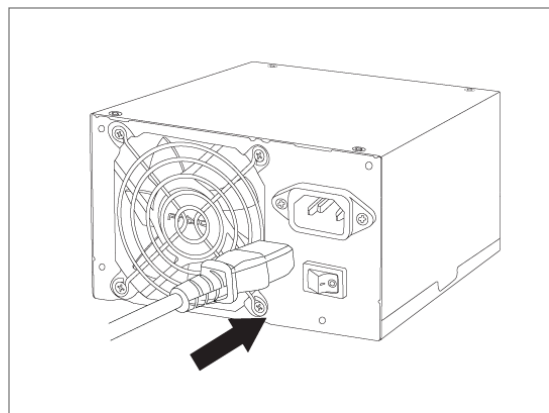


3. Connect the 8-pin or 4-pin ATX12V connector for the CPU to the appropriate connector on your motherboard. If your motherboard has an 8-pin socket with a cover on some of the openings, we recommend that you remove the cover and use the 8-pin connector.

**Note:** Please also refer to your motherboard user's manual for any special instructions.



4. Connect an AC power cord to the power supply AC inlet. To reduce waste, the EA-380D Green does not come with a power cord. Turn the switch to the “|” position after you have connected all the devices and are ready to turn on your computer.



**Antec, Inc.**

47900 Fremont Blvd.  
Fremont, CA 94538  
tel: 510-770-1200  
fax: 510-770-1288

**Antec Europe B.V.**

Stuttgartstraat 12  
3047 A Rotterdam  
Netherlands  
tel: +31 (0) 10 462-2060  
fax: +31 (0) 10 437-1752

**Technical Support:**

**US & Canada**

1-800-22ANTEC  
customersupport@antec.com

**Europe**

+31 (0) 10 462-2060  
europe.techsupport@antec.com

**[www.antec.com](http://www.antec.com)**

© Copyright 2009 Antec, Inc. All rights reserved.  
All trademarks are the property of their respective owners.  
Reproduction in whole or in part without written permission is prohibited.

## Free Manuals Download Website

<http://myh66.com>

<http://usermanuals.us>

<http://www.somanuals.com>

<http://www.4manuals.cc>

<http://www.manual-lib.com>

<http://www.404manual.com>

<http://www.luxmanual.com>

<http://aubethermostatmanual.com>

Golf course search by state

<http://golfingnear.com>

Email search by domain

<http://emailbydomain.com>

Auto manuals search

<http://auto.somanuals.com>

TV manuals search

<http://tv.somanuals.com>