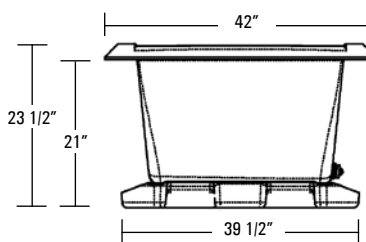
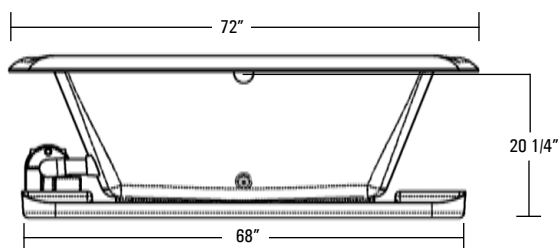
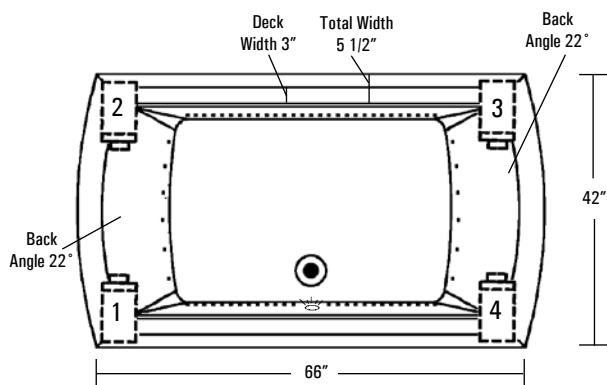
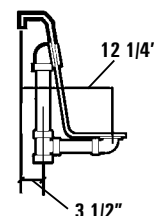


SERENITY 28 MOTIF AQUATIC

SERENITY SERIES MODEL # A128AIR7242 / A128AIR7242TO (Tub Only)



Rough-In Plumbing Measurements



SPECIFICATIONS:

GENERAL SPECIFICATIONS:

Tub Size	72" x 42" x 23 1/2"
	183 cm x 107 cm x 60 cm
Bathing Well	42" long
	26" wide
	21 1/4" interior depth
Maximum Water Depth	17 1/2"
Shipping Weight	247 lbs. / 112 kg
Tub Weight Filled	1049 lbs. / 476 kg
Tub Only Weight	138 lbs. / 63 kg
Weight w/Equipment	169 lbs. / 77 kg
Gallons to Overflow	106 gal. / 401 L

ELECTRICAL SPECIFICATIONS:

Blower/Heater Requirement	1 HP; 10.5 AMP; 120V 15 AMP; 120V, separate circuit required protected w/ Class A GFCI
---------------------------	---

This unit is not recommended for shower installations.

STANDARD EQUIPMENT:

Air Bath System:

- 52 Air Jets
- 1 HP Variable Speed Air Blower with 20-Minute Timer
- 600 Watt Air Heating System
- Electronic Control Package with Wave and Pulse Features
- Automatic Purge and Dry Cycle with Water Sensors

Aquatic Quality Features:

- Chromatherapy
- Slip Resistant Floor
- Air Channels Lined with Antimicrobial Coating
- Extra Deep and Long Bathing Well
- Pre-leveled ABS Support Base
- Durable, Easy to Clean, Lucite® Cast Acrylic Surface
- Available in 8 Standard No-Charge Colors

UL & IAPMO Listed, Factory Tested Limited Lifetime Warranty

OPTIONAL EQUIPMENT:

- Comfort Pillow - Oval or Rectangle
- Bolt-On Grab Bar
 - White, Biscuit, Chrome, Polished Brass, Gold, Polished Nickel, Satin Nickel or Oil Rubbed Bronze
- Lift & Turn Waste and Overflow
 - Chrome, Polished Brass, Gold, Polished Nickel, Satin Nickel or Oil Rubbed Bronze
- Cable Drive Waste and Overflow
 - Chrome, Polished Brass, Gold, Polished Nickel, Satin Nickel, Oil Rubbed Bronze or Color Matched (Bone, White and Biscuit Only)
- Waterproof Remote Control with infrared sensor and 25' cord
- Remote Blower Wiring Kit
- Premium Colors

All acrylic colors featured by Aquatic match the industry's leading fixture manufacturers.

Fax-On-Demand Document # 1072



Each Serenity Air Bath model is equipped with a 600 watt air heating system to raise the temperature of the air going into the bath. This air temperature will be less than the bathing temperature of the water, but will help to reduce a rapid decrease in water temperature. In addition, the air coming from the air jets will feel cool against the skin, just as a breeze on a warm day cools your body. This system does not heat the water.

The manufacturer accepts a 1/4" variance. There are variations on each tub and specifications are subject to change as we improve upon our product as required. The dimensions needed for site preparation and structure building should be measured from the tub; Aquatic Industries, Inc. assumes no responsibility for preparatory work. www.aquaticwhirlpools.com 800.555.5324

November 2007

Free Manuals Download Website

<http://myh66.com>

<http://usermanuals.us>

<http://www.somanuals.com>

<http://www.4manuals.cc>

<http://www.manual-lib.com>

<http://www.404manual.com>

<http://www.luxmanual.com>

<http://aubethermostatmanual.com>

Golf course search by state

<http://golfingnear.com>

Email search by domain

<http://emailbydomain.com>

Auto manuals search

<http://auto.somanuals.com>

TV manuals search

<http://tv.somanuals.com>